

SERVICE MANUAL

D500E / D510E / D520E / D530E

notebook



Notebook Computer

D500E/D510E/D520E/D530E

Service Manual

Notice

The company reserves the right to revise this publication or to change its contents without notice. Information contained herein is for reference only and does not constitute a commitment on the part of the manufacturer or any subsequent vendor. They assume no responsibility or liability for any errors or inaccuracies that may appear in this publication nor are they in anyway responsible for any loss or damage resulting from the use (or misuse) of this publication.

This publication and any accompanying software may not, in whole or in part, be reproduced, translated, transmitted or reduced to any machine readable form without prior consent from the vendor, manufacturer or creators of this publication, except for copies kept by the user for backup purposes.

Brand and product names mentioned in this publication may or may not be copyrights and/or registered trademarks of their respective companies. They are mentioned for identification purposes only and are not intended as an endorsement of that product or its manufacturer.

Version 1.0
March 2004

Trademarks

Intel[®] and **Pentium**[®] are registered trademarks of Intel Corporation.

Windows[®] is a registered trademark of Microsoft Corporation.

Other brand and product names are trademarks and/or registered trademarks of their respective companies.

About this Manual

This manual is intended for service personnel who have completed sufficient training to undertake the maintenance and inspection of personal computers.

It is organized to allow you to look up basic information for servicing and/or upgrading components of the computer.

The following information is included:

Chapter 1, Introduction, provides general information about the location of system elements and their specifications.

Chapter 2, Disassembly, provides step-by-step instructions for disassembling parts and subsystems and how to upgrade elements of the system.

Appendix A, Part Lists

Appendix B, Schematic Diagrams

Appendix C, Installing Optional Module

IMPORTANT SAFETY INSTRUCTIONS

When using your telephone equipment, basic safety precautions should always be followed to reduce the risk of fire, electric shock and injury to persons, including the following:

1. Do not use this product near water, for example near a bath tub, wash bowl, kitchen sink or laundry tub, in a wet basement or near a swimming pool.
2. Avoid using a telephone (other than a cordless type) during an electrical storm. There may be a remote risk of electrical shock from lightning.
3. Do not use the telephone to report a gas leak in the vicinity of the leak.
4. Use only the power cord and batteries indicated in this manual. Do not dispose of batteries in a fire. They may explode. Check with local codes for possible special disposal instructions.
5. This product is intended to be supplied by a Listed Power Unit (DC Output 20V, 6.0A).

CAUTION

Always disconnect all telephone lines from the wall outlet before servicing or disassembling this equipment.

**TO REDUCE THE RISK OF FIRE, USE ONLY NO. 26 AWG OR LARGER,
TELECOMMUNICATION LINE CORD**

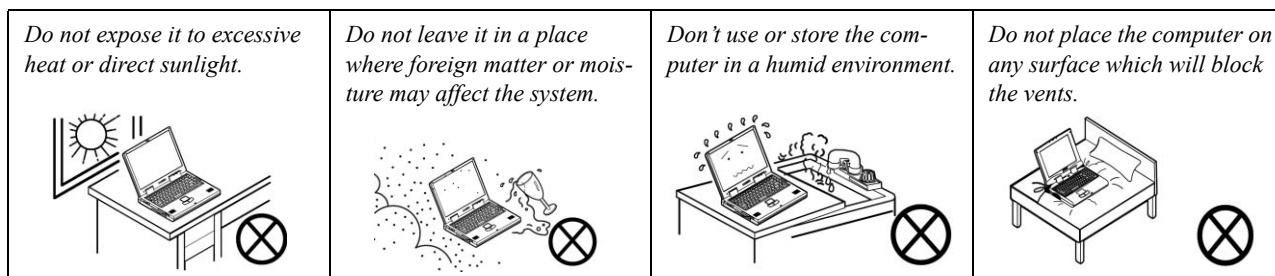
Instructions for Care and Operation

The notebook computer is quite rugged, but it can be damaged. To prevent this, follow these suggestions:

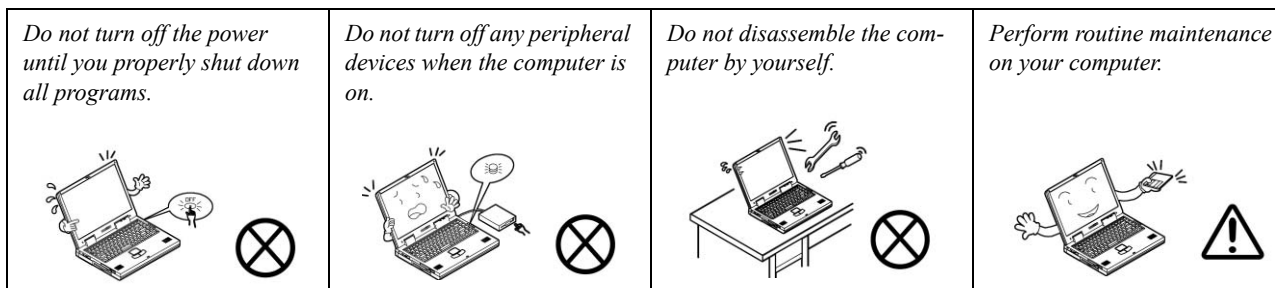
1. **Don't drop it, or expose it to shock.** If the computer falls, the case and the components could be damaged.



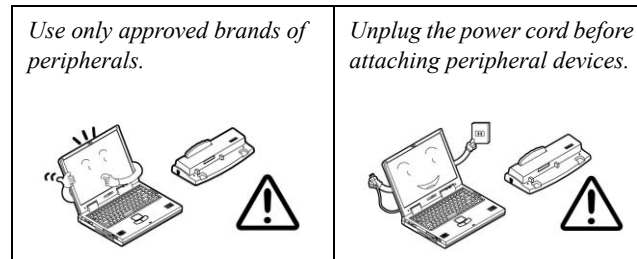
2. **Keep it dry, and don't overheat it.** Keep the computer and power supply away from any kind of heating element. This is an electrical appliance. If water or any other liquid gets into it, the computer could be badly damaged.



3. **Follow the proper working procedures for the computer.** Shut the computer down properly and don't forget to save your work. Remember to periodically save your data as data may be lost if the battery is depleted.



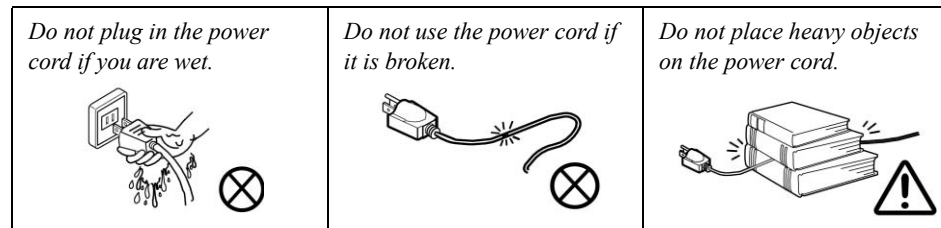
4. **Avoid interference.** Keep the computer away from high capacity transformers, electric motors, and other strong magnetic fields. These can hinder proper performance and damage your data.
5. **Take care when using peripheral devices.**



Power Safety

The computer has specific power requirements:

- Only use a power adapter approved for use with this computer.
- Your AC adapter may be designed for international travel but it still requires a steady, uninterrupted power supply. If you are unsure of your local power specifications, consult your service representative or local power company.
- The power adapter may have either a 2-prong or a 3-prong grounded plug. The third prong is an important safety feature; do not defeat its purpose. If you do not have access to a compatible outlet, have a qualified electrician install one.
- When you want to unplug the power cord, be sure to disconnect it by the plug head, not by its wire.
- Make sure the socket and any extension cord(s) you use can support the total current load of all the connected devices.
- Before cleaning the computer, make sure it is disconnected from any external power supplies.



Power Safety Warning

Before you undertake any upgrade procedures, make sure that you have turned off the power, and disconnected all peripherals and cables (including telephone lines). It is advisable to also remove your battery in order to prevent accidentally turning the machine on.

Battery Precautions

- Only use batteries designed for this computer. The wrong battery type may explode, leak or damage the computer.
- Recharge the batteries using the notebook's system. Incorrect recharging may make the battery explode.
- Do not try to repair a battery pack. Refer any battery pack repair or replacement to your service representative or qualified service personnel.
- Keep children away from, and promptly dispose of a damaged battery. Always dispose of batteries carefully. Batteries may explode or leak if exposed to fire, or improperly handled or discarded.
- Keep the battery away from metal appliances.
- Affix tape to the battery contacts before disposing of the battery.
- Do not touch the battery contacts with your hands or metal objects.



Battery Disposal

The product that you have purchased contains a rechargeable battery. The battery is recyclable. At the end of its useful life, under various state and local laws, it may be illegal to dispose of this battery into the municipal waste stream. Check with your local solid waste officials for details in your area for recycling options or proper disposal.

Caution

Danger of explosion if battery is incorrectly replaced. Replace only with the same or equivalent type recommended by the manufacturer. Discard used battery according to the manufacturer's instructions.

Preface

Related Documents

You may also need to consult the following manual for additional information:

User's Manual on CD

This describes the computer's features and the procedures for operating the computer and its ROM-based setup program. It also describes the installation and operation of the utility programs provided with the computer.

Contents

Introduction1-1

Overview	1-1
System Specifications	1-2
Processor Types	1-2
Core Logic	1-2
Structure	1-2
Security	1-2
Memory	1-2
BIOS	1-2
LCD (Options)	1-2
Display	1-2
Device Bay Options	1-3
Hard Disk	1-3
PC Card	1-3
Keyboard	1-3
Pointing Device	1-3
Audio	1-3
Interface	1-3
Communication	1-3
Power Management	1-4
Power	1-4
Indicator	1-4
Environmental Spec	1-4
Physical Dimensions	1-4
Weight	1-4
Optional	1-4
External Locator - Top Views	1-5
External Locator - Front & Left Side View	1-6
External Locator - Right Side & Rear Views	1-7

External Locator - Bottom View	1-8
Mainboard Overview - Top (Key Parts)	1-9
Mainboard Overview - Bottom (Key Parts)	1-10
Mainboard Overview - Top (Cable Connectors)	1-11
Mainboard Overview - Bottom (Cable Connectors)	1-12

Disassembly2-1

Overview	2-1
Maintenance Tools	2-2
Connections	2-2
Maintenance Precautions	2-3
Disassembly Steps	2-4
Removing the Battery	2-7
Removing the Bay One Device	2-8
Removing the Hard Disk Drive Assembly	2-9
Removing the Bay Two Device	2-10
Removing the Keyboard	2-11
Removing the System Memory	2-12
Removing the CPU	2-13
Removing the Modem	2-15
Removing the Wireless LAN	2-16
Removing the Palm Rest	2-17
Removing the Bottom Case	2-18
Removing the Audio "DJ" Module	2-20
Removing the HDD Converter Board	2-21
Removing the Mainboard	2-22
Removing the DC/DC Board	2-24
Removing the Click Board	2-25
Removing the TouchPad	2-25
Removing the LED Board	2-26

Preface

Removing the Speakers	2-26
Removing the Inverter	2-27
Removing the LCD Panel	2-28

Part Lists A-1

Part List Illustration Location	A-2
Top (D500E)	A-3
Bottom (D500E)	A-4
LCD 15" (D500E)	A-5
Card Reader (D500E)	A-6
SAMSUNG CD-ROM Drive (D500E)	A-7
KME CD-RW Drive (D500E)	A-8
Combo Drive (D500E)	A-9
DVD-ROM Drive (D500E)	A-10
Audio DJ (D500E)	A-11
HDD (D500E)	A-12
Floppy Disk Drive (D500E)	A-13
Top (D510E)	A-14
Bottom (D510E)	A-15
LCD 15" (D510E)	A-16
Card Reader (D510E)	A-17
SAMSUNG CD-ROM Drive (D510E)	A-18
KME CD-RW Drive (D510E)	A-19
Combo Drive (D510E)	A-20
DVD-ROM Drive (D510E)	A-21
Audio DJ (D510E)	A-22
HDD (D510E)	A-23
Floppy Disk Drive (D510E)	A-24
Top (D520E)	A-25
Bottom (D520E)	A-26
LCD 15" (D520E)	A-27
Card Reader (D520E)	A-28

TEAC CD-ROM Drive (D520E)	A-29
KME CD-RW Drive (D520E)	A-30
Combo Drive (D520E)	A-31
DVD-ROM Drive (D520E)	A-32
Audio DJ (D520E)	A-33
HDD (D520E)	A-34
Floppy Disk Drive (D520E)	A-35
Top (D530E)	A-36
Bottom (D530E)	A-37
LCD 15" (D530E)	A-38
Card Reader (D530E)	A-39
TEAC CD-ROM Drive (D530E)	A-40
KME CD-RW Drive (D530E)	A-41
Combo Drive (D530E)	A-42
DVD-ROM Drive (D530E)	A-43
Audio DJ (D530E)	A-44
HDD (D530E)	A-45
Floppy Disk Drive (D530E)	A-46

Schematic Diagrams..... B-1

System Block Diagram	B-2
CPU 1 of 2	B-3
CPU 2 of 2	B-4
Clock Generator	B-5
GMCH-1	B-6
GMCH-2 Power	B-7
GMCH-3 DDR	B-8
DIMMA	B-9
DIMMB	B-10
AGP/ POWER	B-11
GMC-1	B-12
GMC-2	B-13


VGA Connector	B-14
ICH5 (1 of 3)	B-15
ICH5 (2 of 3)	B-16
ICH5 (3 of 3)	B-17
HDD/CD-ROM/FDD	B-18
PCI 1410	B-19
PCI1394 TSB43AB21	B-20
PCI RTL8100C / RTL8110S	B-21
LPC Super I/O	B-22
LPC H8	B-23
AC'97 Codec	B-24
FAN/MBC/Mini PCI	B-25
ACIN; PWR Button	B-26
D/D Conn	B-27
VCORE	B-28
System Power 1	B-29
System Power 2	B-30
Installing Optional Module	C-1
Overview	C-1
Installing a Bluetooth Modem	C-2
Installing the 802.11b+g Wireless LAN	C-3
Installing the 802.11a+b+g Wireless LAN	C-4

1: Introduction

Overview

This manual covers the information you need to service or upgrade the D500E/D510E/D520E/D530E notebook computer. Information about operating the computer (e.g. getting started, and the *Setup* utility) is in the *User's Manual*. Information about drivers (e.g. VGA & audio) is also found in *User's Manual*. That manual is shipped with the computer.

Operating systems (e.g. *DOS*, *Windows 9x*, *Windows NT 4.0*, *Windows 2000*, *Windows XP*, *OS/2 Warp*, *UNIX*, etc.) have their own manuals as do application software (e.g. word processing and database programs). If you have questions about those programs, you should consult those manuals.

The D500E/D510E/D520E/D530E notebook is designed to be upgradeable. See *“Disassembly” on page 2 - 1* for a detailed description of the upgrade procedures for each specific component. Please note the warning and safety information indicated by the “” symbol.

The balance of this chapter reviews the computer's technical specifications and features.

System Specifications

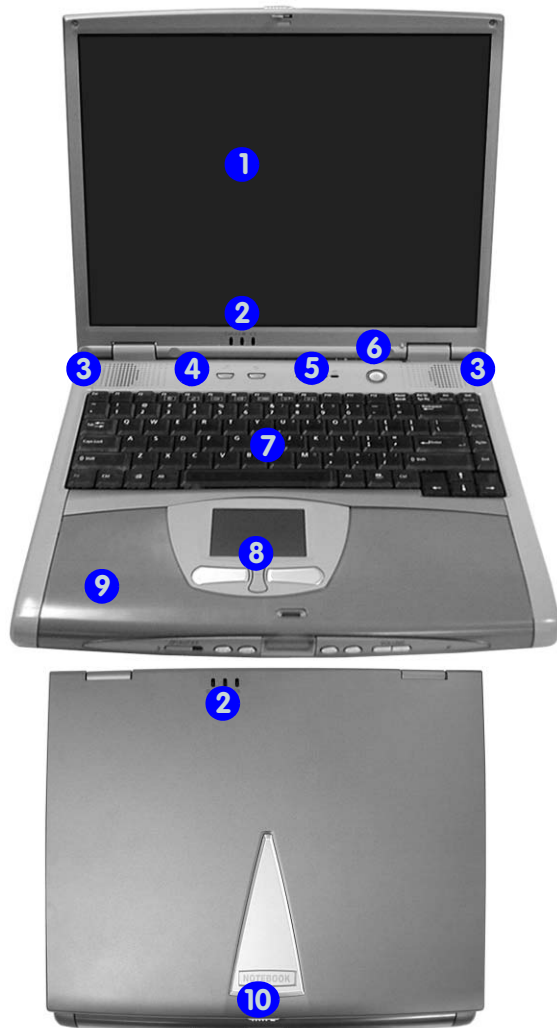
Feature	Specification				
Processor Types	<p>Intel Pentium® 4 Processor (478-pin) m-PGA package (µ0.13) 0.13 Micron Process Technology, 512KB On-die L2 Cache & 533MHz Front Side Bus - 2.8/ 3.06 GHz</p> <p>Intel Pentium® 4 Processor (478-pin) m-PGA package (µ0.13) 0.13 Micron Process Technology, 512KB On-die L2 Cache & 800MHz Front Side Bus - 2.4/ 2.6/ 2.8/ 3.0/ 3.2 GHz</p> <p>Intel Prescott® Processor (478-pin) m-PGA package (µ0.09) 0.09 Micron Process Technology, 1MB On-die L2 Cache & 800MHz Front Side Bus - 3.2/ 3.4 GHz</p>				
Core Logic	Intel® 865PE				
Structure	PC 2001 Compliant PCI 2.2 Compliant				
Security	Security (Kensington® Type) Lock Slot, BIOS Password				
Memory	Two 200 Pins SODIMM Sockets, supporting DDR 266/ 333/ 400 MHz Modules Expandable up to 1 GB (128/ 256/ 512MB DDR Modules)				
BIOS	One 512KB Flash ROM, Phoenix BIOS				
LCD (Options)	<table border="0"> <tr> <td>15.0" - XGA TFT (1024x768)</td> <td>15.0" - UXGA TFT (1600x1200)</td> </tr> <tr> <td>15.0" - SXGA+ TFT (1400x1050)</td> <td>15.0" - QXGA TFT (2048x1536)</td> </tr> </table>	15.0" - XGA TFT (1024x768)	15.0" - UXGA TFT (1600x1200)	15.0" - SXGA+ TFT (1400x1050)	15.0" - QXGA TFT (2048x1536)
15.0" - XGA TFT (1024x768)	15.0" - UXGA TFT (1600x1200)				
15.0" - SXGA+ TFT (1400x1050)	15.0" - QXGA TFT (2048x1536)				
Display	<p>ATI Mobility Radeon 9700 (M11)</p> <p>AGP™ 8X</p> <p>128-bit Memory Interface</p> <p>2D/3D Graphics Engine</p> <p>Fully DirectX 9 Compliant Notebook GPU</p> <p>External Memory up to 128MB DDR SGRAM On Board</p> <p>TV Encoder</p>				

Feature	Specification	
Device Bay Options	Bay One for one of the following interchangeable devices: 3.5" 3-mode FDD Secondary Battery Secondary CD Device Secondary Hard Disk Drive 7-in-1 Card Reader	Bay Two for one of the following interchangeable devices: CD-ROM DVD-ROM Combination DVD-ROM/CD-RW CD-RW DVD-RW
Hard Disk	Easy changeable 2.5" 9.5/12.7 mm (h) Hard Disk Drive Supports Master mode IDE, PIO mode 4, ATA-33/ 66/ 100/ 133, Ultra ATA Port	
PC Card	One Type II PCMCIA 3.3V/5V socket supporting CardBus	
Keyboard	"Win-Key" keyboard	
Pointing Device	Built-in TouchPad (scrolling key functionality integrated)	
Audio	AC'97 compliant interface 3D stereo enhanced sound system Compatible Sound-Blaster PRO™ S/PDIF Digital output (5.1 CH)	Built-in microphone 2 Built-In Speakers Audio DJ
Interface	Four USB 2.0 ports One Mini-IEEE 1394 port One S-Video out port One parallel port (LPT1) One infrared transceiver supporting IrDA 1.1/ FIR/SIR/ ASKIR One external monitor (VGA) port One PS/2 port	One headphone-out jack One microphone-in jack One RJ-11 jack for modem One RJ-45 jack for LAN One DC-In jack One S/PDIF out port 3 Built-in hot-key buttons: WWW, E-Mail, & application
Communication	56K Plug & Play Modem (V.90 & V.92 Compliant) Infrared transfer: 115.2K bps SIR/ 4M bps FIR, IrDA 1.1 compliant Built-In 10/ 100/ 1000M Fast Ethernet LAN 802.11b or 802.11g or 802.11a+b+g Wireless LAN Module with Mini-PCI Interface (optional) Bluetooth 1.1 with MDC Interface (optional)	


Introduction

Feature	Specification										
Power Management	Supports ACPI v2.0 Supports Standby mode Supports Hibernate mode Supports Battery low suspend	Supports resume from alarm time Supports resume from modem ring Supports resume from LAN ring									
Power	Full Range AC adapter AC Input: 100~240V, 50~60Hz DC Output: 20V, 6.0A	Primary Battery Smart Li-Ion 14.8v, 4400mAh (removable) Second Battery Smart Li-Ion 14.8v, 3400mAh (removable)									
Indicator	LED indicators (Power On/ AC-In/ Suspend, Battery Charging/Battery Full, E-Mail, HDD, Num Lock, Caps Lock, Scroll Lock)										
Environmental Spec	<table border="0"> <tr> <td></td> <td>Temperature</td> <td>Relative Humidity</td> </tr> <tr> <td>Operating:</td> <td>5°C ~ 35°C</td> <td>20% ~ 80%</td> </tr> <tr> <td>Non-Operating:</td> <td>-20°C ~ 60°C</td> <td>10% ~ 90%</td> </tr> </table>		Temperature	Relative Humidity	Operating:	5°C ~ 35°C	20% ~ 80%	Non-Operating:	-20°C ~ 60°C	10% ~ 90%	
	Temperature	Relative Humidity									
Operating:	5°C ~ 35°C	20% ~ 80%									
Non-Operating:	-20°C ~ 60°C	10% ~ 90%									
Physical Dimensions	329 (w) x 290 (d) x 44 (h) mm										
Weight	Around 3.7 kg (depend on optional modules included) without battery										
Optional	Secondary Battery Pack Secondary Hard Disk Drive Secondary CD-ROM Drive Module Secondary DVD-ROM Drive Module Secondary DVD-ROM and CD-RW Combo Drive Module Secondary CD-RW Drive Module Secondary DVD-RW Drive Module	Software DVD Player 802.11b Wireless LAN Module 802.11g Wireless LAN Module 802.11a+b+g Wireless LAN Module 7-in-1 Card Reader									

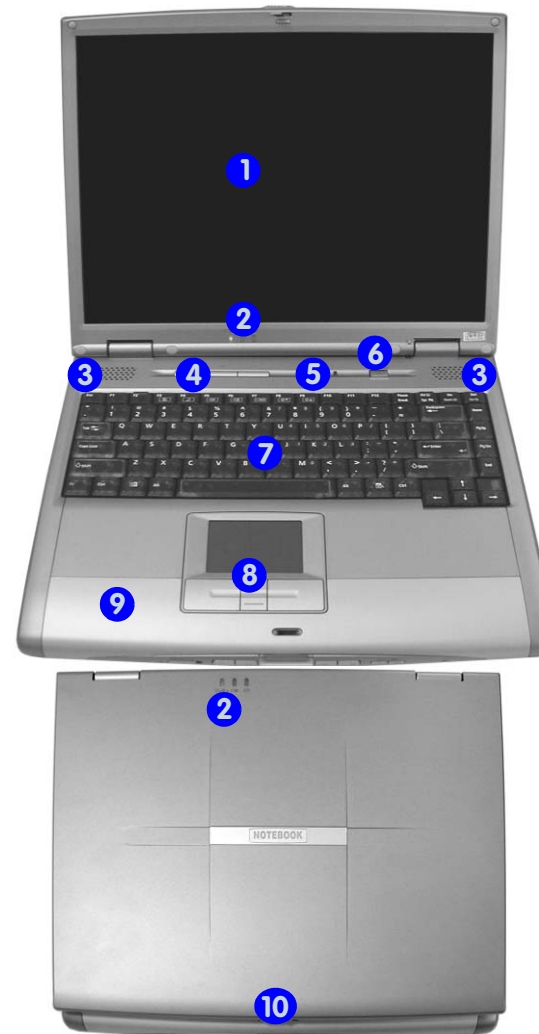
External Locator - Top Views



Model A


Model Differences
 This manual refers to the two notebook models pictured on this page.

 The models vary slightly in external design. Photographs used throughout this manual are of Model A.



Model B

Figure 1 - 1
Top Views with LCD Panel Open

1. LCD
2. LED Power & E-Mail Indicators
3. Speakers
4. Hot-Key buttons
5. LED Status Indicators
6. Power Button
7. Keyboard
8. TouchPad and Buttons
9. Palm Rest (Removable)
10. LCD Latch

Introduction

Figure 1 - 2
Front View

1. LCD Latch
2. Audio "DJ" CD Player Control Panel On/Off Switch
3. Previous Track
4. Next Track
5. LCD
6. Play Pause
7. Stop/Eject
8. Volume Down
9. Volume Up
10. Built-In Microphone

External Locator - Front & Left Side View



Figure 1 - 3
Left Side View

1. DC-In Jack
2. Vent
3. PC Card Slot
4. PC Card Eject Button



External Locator - Right Side & Rear Views



Figure 1 - 4
Right Side View

1. Device Bay One
2. Device Bay Two
3. Infrared Transceiver



Figure 1 - 5
Rear View

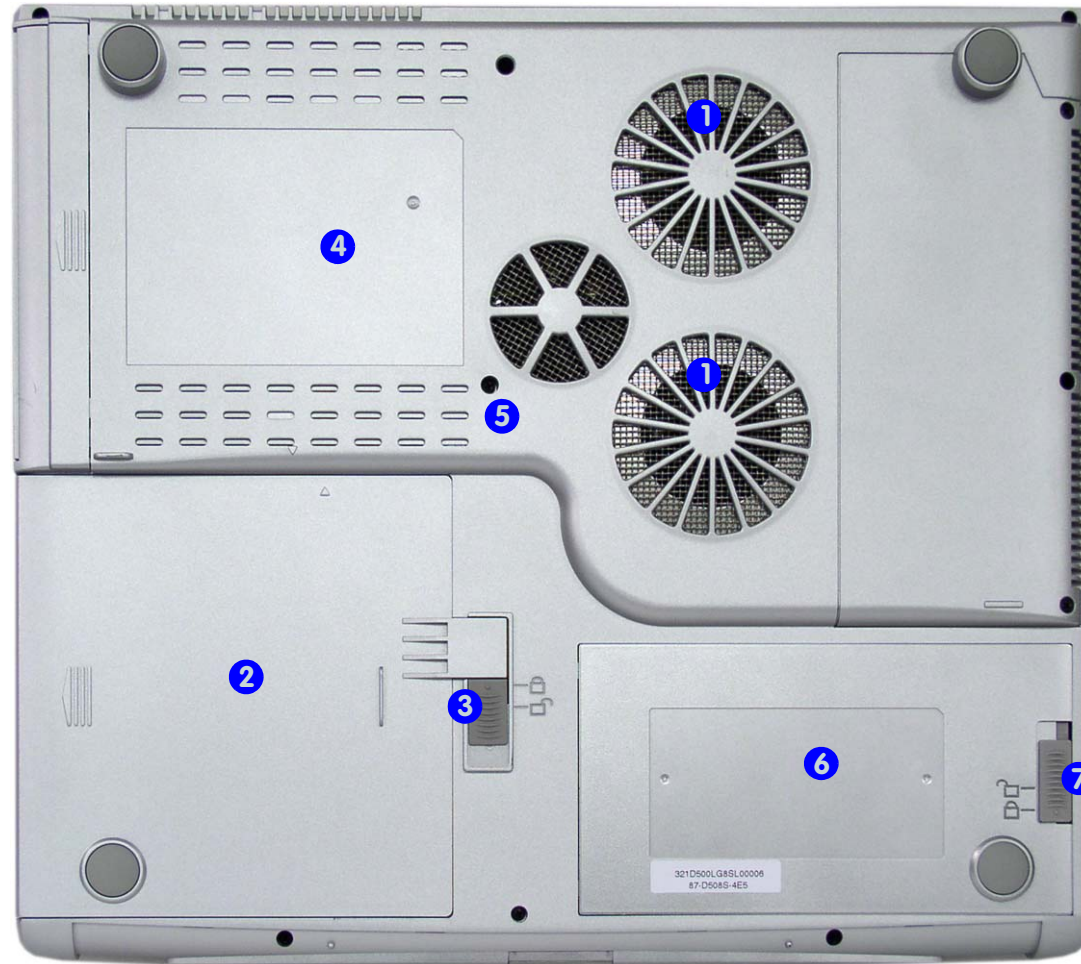
1. Security Lock
2. Microphone-In Jack
3. Headphone-Out Jack
4. S/PDIF Out Port
5. Mini - IEEE 1394 Port
6. RJ-11 Phone Jack
7. RJ-45 LAN Jack
8. 4 USB Ports
9. S-Video Connector
10. External Monitor (VGA) Port
11. Parallel Port
12. PS/2 Type Port
13. Vents

Introduction

Figure 1 - 6
Bottom View

External Locator - Bottom View

1. Vent/Fan Intakes
2. Device Bay One
3. Device Bay One Release Latch
4. Device Bay Two
5. Device Bay Two Release Screw
6. Battery
7. Battery Release Latch



Mainboard Overview - Top (Key Parts)

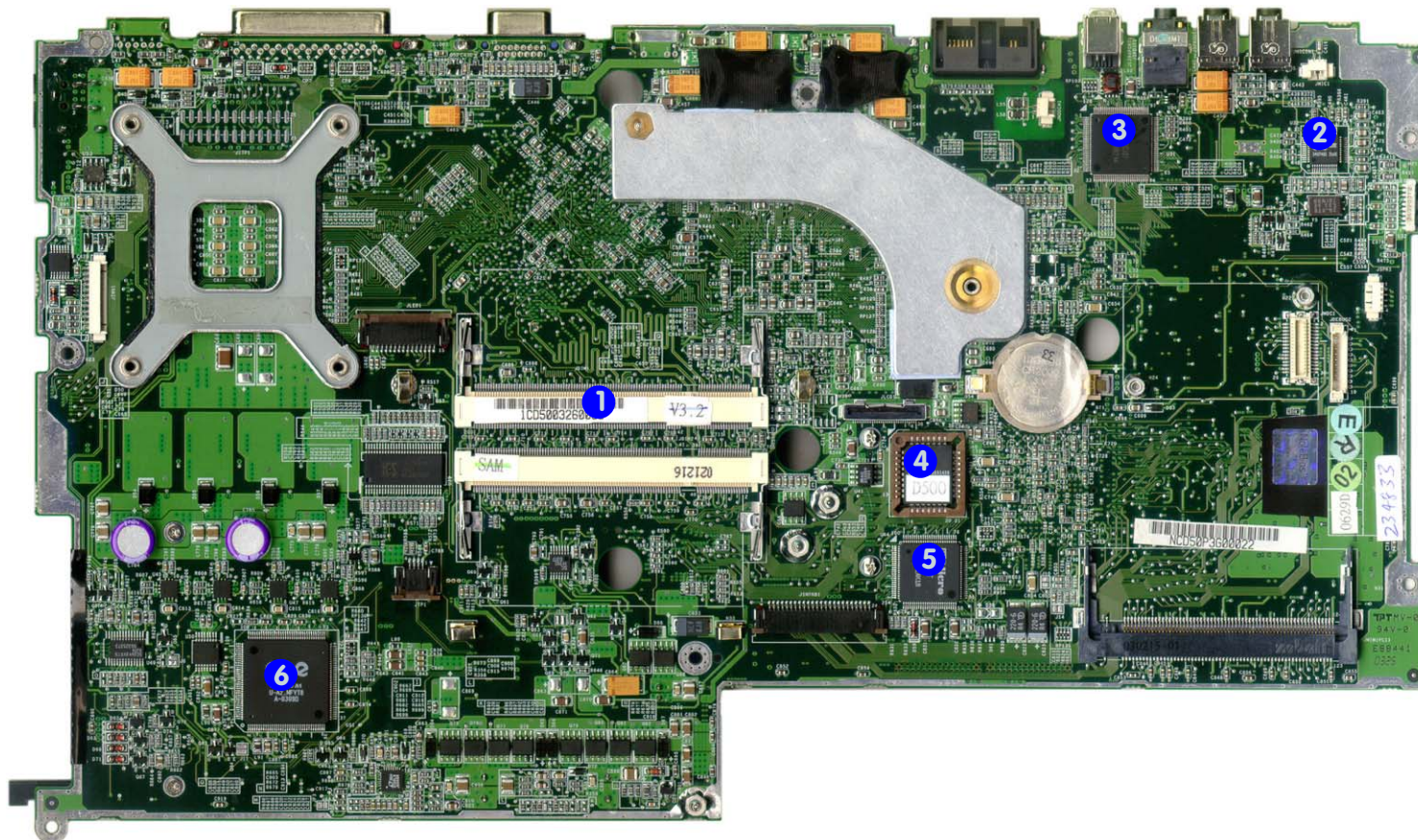


Figure 1 - 7
**Mainboard
Overview - Top
Key Parts**

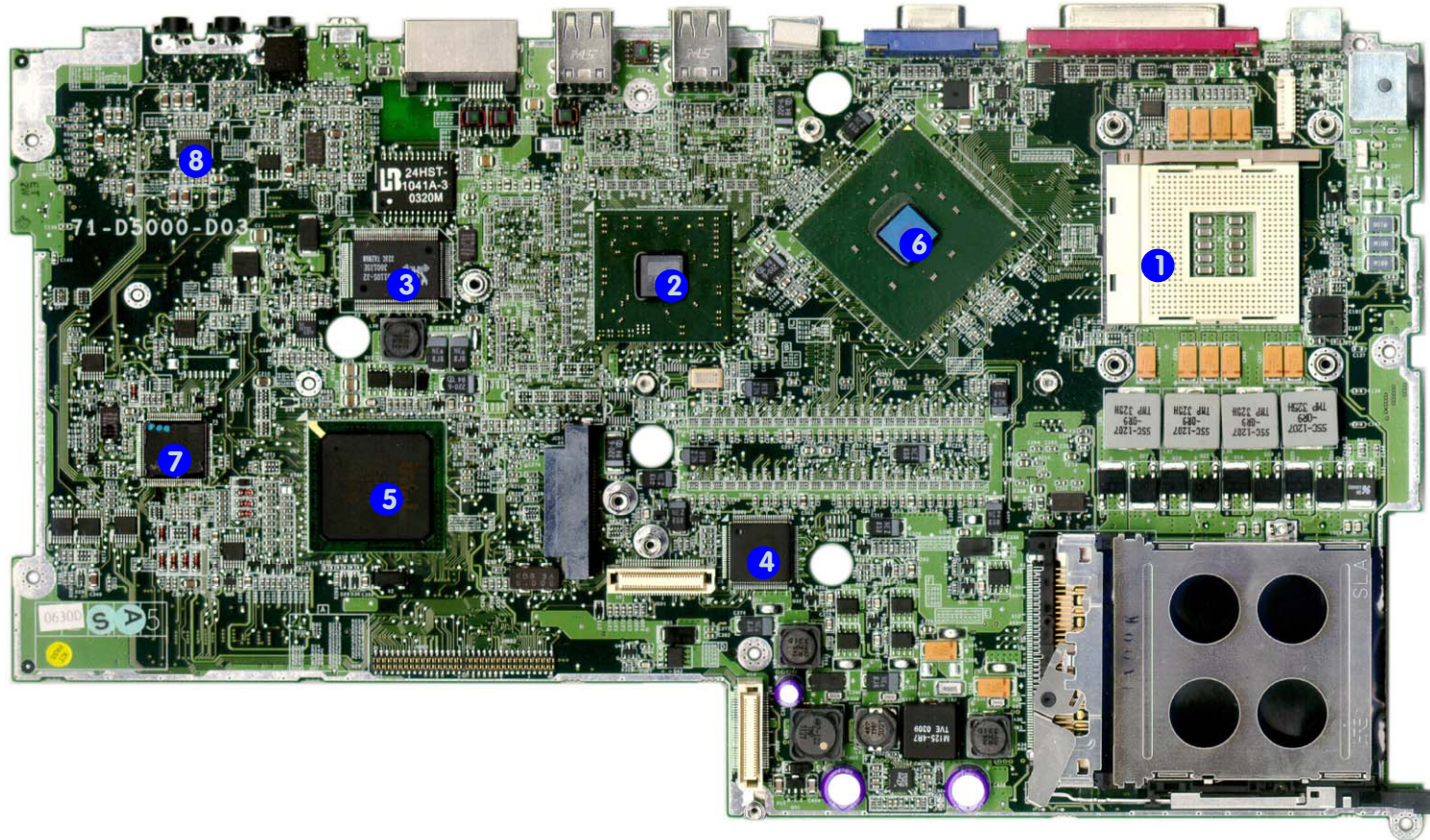
1. 2 * SO-DIMM sockets
2. AC'97 Codec
3. TI 1394 Controller
4. Flash BIOS ROM
5. Audio DJ Controller
6. PCI Bus1410 Controller

Introduction

Mainboard Overview - Bottom (Key Parts)

Figure 1 - 8
**Mainboard
Overview - Bottom
Key Parts**

1. CPU Socket (no CPU installed)
2. VGA Chip - ATI M11
3. LAN Controller - RTL8110S-32
4. Super IO NS87393
5. Southbridge Intel 82801
6. Northbridge Intel GMCH 865PE
7. H8 Keyboard Controller
8. Audio AMP TI-TPA0132



Mainboard Overview - Top (Cable Connectors)

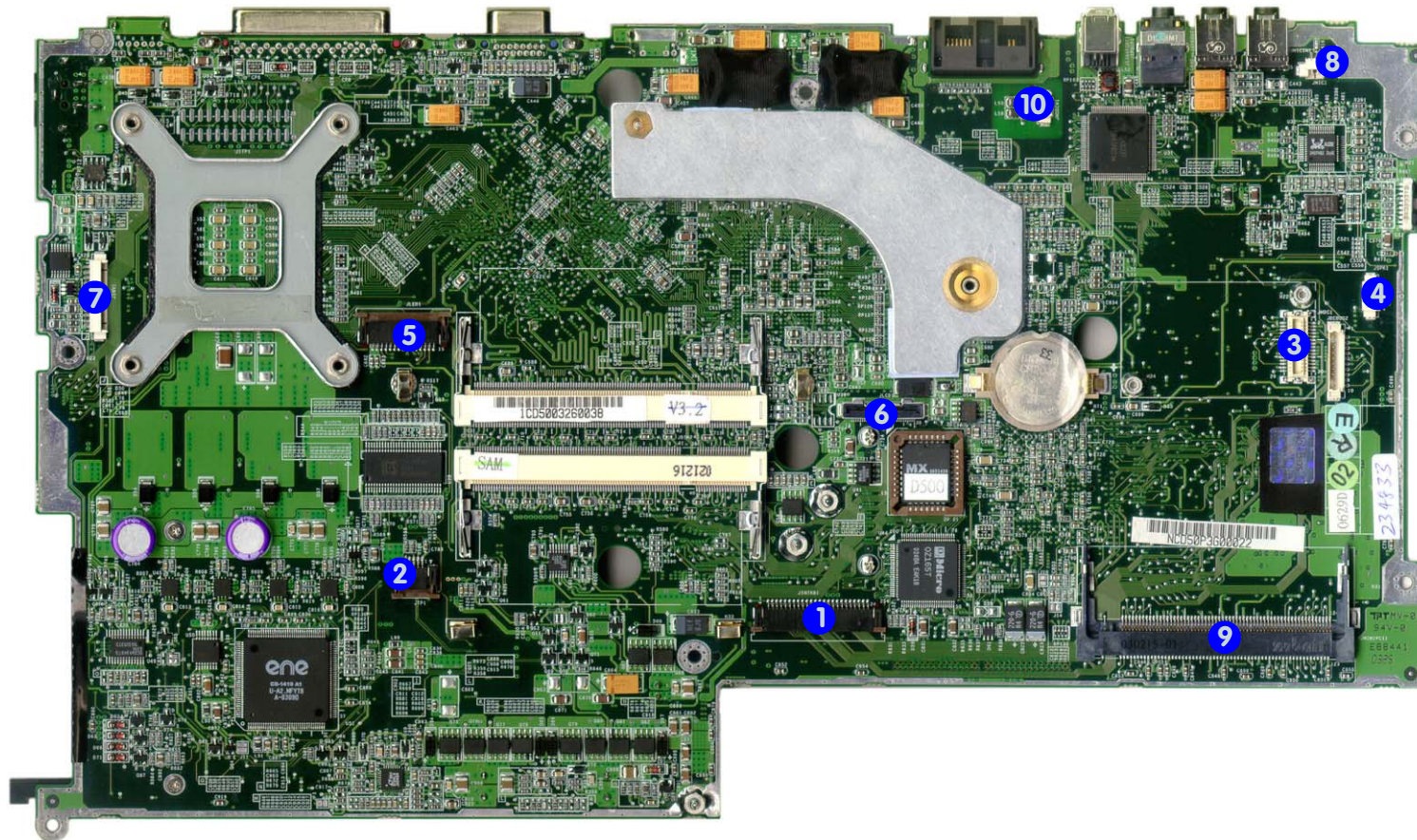


Figure 1 - 9
**Mainboard
Overview - Top
Cable Connectors**

1. JINTKB1 (Key-board Connector)
2. JTP1 (TouchPad Connector)
3. JMDC1 (Modem Connector)
4. JSPK1 (Speaker Connector)
5. JLED1 (LED Connector)
6. JLCD1 (LCD Connector)
7. JINV1 (Inverter Connector)
8. JMIC1 (Microphone Connector)
9. JMINIPCI1 (Mini-PCI Connector)
10. JMODEM1 (RJ11 Connector)

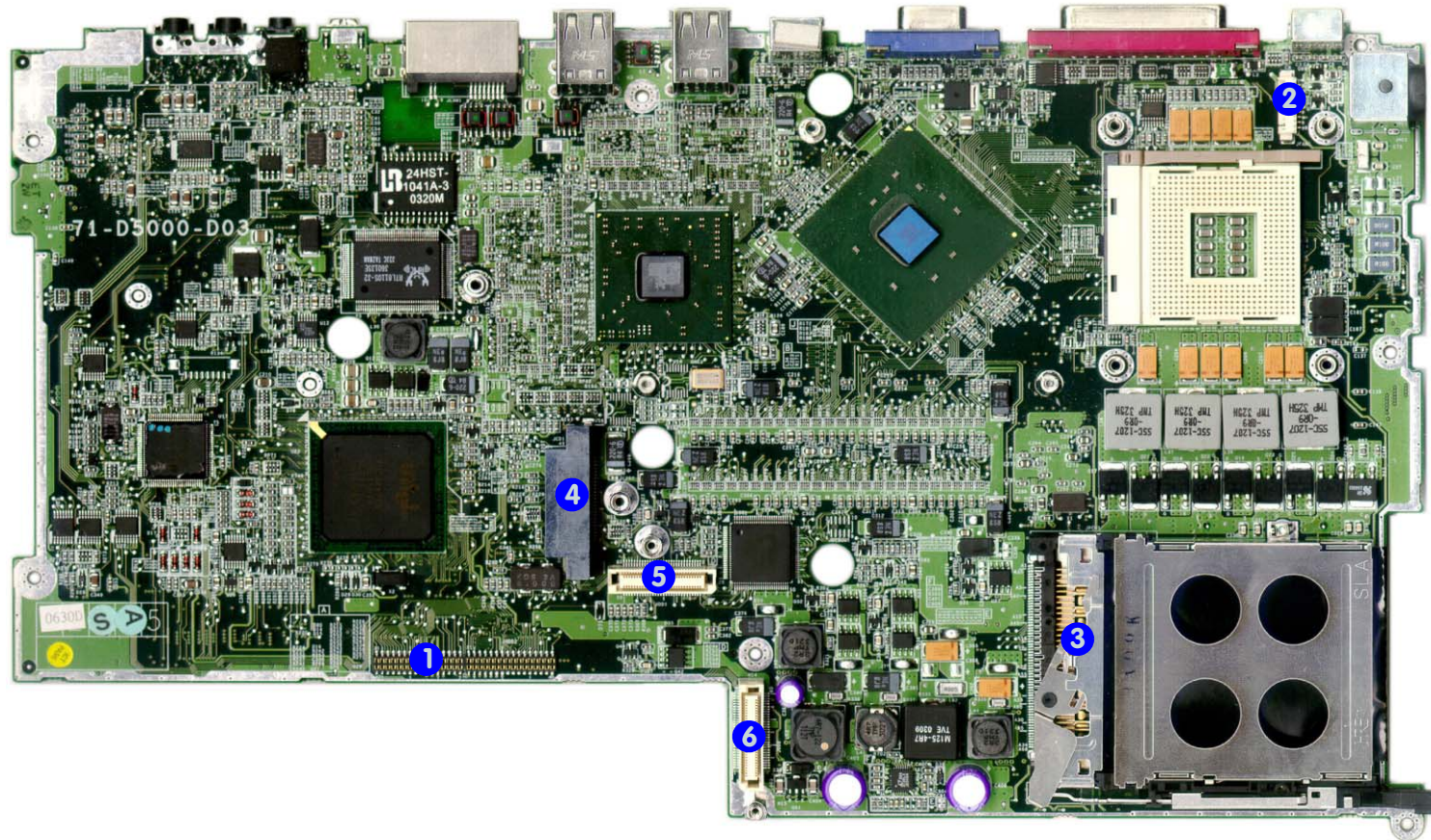
Introduction

Mainboard Overview - Bottom (Cable Connectors)

Figure 1 - 10

Mainboard Overview - Bottom Cable Connectors

1. JHDD1 (Hard Disk Connector)
2. JFAN1 (Fan Connector)
3. PCMCIA Connector
4. JCD1 (Bay Two Device Connector)
5. JDD1 (DC/DC Board Connector)
6. JDD2 (DC/DC Board Connector)




2: Disassembly



Overview

This chapter provides step-by-step instructions for disassembling parts and subsystems. When it comes to reassembly, reverse the procedures (unless otherwise indicated).

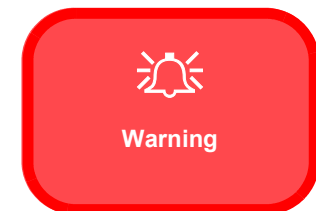
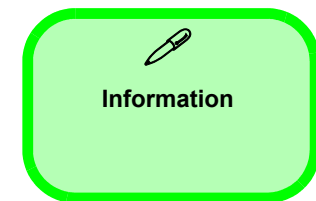
We suggest you completely review any procedure before you take the computer apart.

Procedures such as upgrading/replacing the RAM, CD device and hard disk are included in the User's Manual but are repeated here for your convenience.

To make the disassembly process easier each section may have a box in the page margin. Information contained under the figure # will give a synopsis of the sequence of procedures involved in the disassembly procedure. A box with a  lists the relevant parts you will have after the disassembly process is complete. **Note:** The parts listed will be for the disassembly procedure listed ONLY, and not any previous disassembly step(s) required. Refer to the part list for the previous disassembly procedure. The amount of screws you should be left with will be listed here also.

A box with a  will provide any possible helpful information. A box with a  contains warnings.

An example of these types of boxes are shown in the sidebar.



Disassembly

NOTE: All disassembly procedures assume that the system is turned **OFF**, and disconnected from any power supply (the battery is removed too).

Maintenance Tools

The following tools are recommended when working on the notebook PC:

- M3 Philips-head screwdriver
- M2.5 Philips-head screwdriver (magnetized)
- M2 Philips-head screwdriver
- Small flat-head screwdriver
- Pair of needle-nose pliers
- Anti-static wrist-strap

Connections

Connections within the computer are one of four types:

Locking collar sockets for ribbon connectors	To release these connectors, use a small flat-head screwdriver to gently pry the locking collar away from its base. When replacing the connection, make sure the connector is oriented in the same way. The pin1 side is usually not indicated.
Pressure sockets for multi-wire connectors	To release this connector type, grasp it at its head and gently rock it from side to side as you pull it out. Do not pull on the wires themselves. When replacing the connection, do not try to force it. The socket only fits one way.
Pressure sockets for ribbon connectors	To release these connectors, use a small pair of needle-nose pliers to gently lift the connector away from its socket. When replacing the connection, make sure the connector is oriented in the same way. The pin1 side is usually not indicated.
Board-to-board or multi-pin sockets	To separate the boards, gently rock them from side to side as you pull them apart. If the connection is very tight, use a small flat-head screwdriver - use just enough force to start.

Maintenance Precautions

The following precautions are a reminder. To avoid personal injury or damage to the computer while performing a removal and/or replacement job, take the following precautions:

1. **Don't drop it.** Perform your repairs and/or upgrades on a stable surface. If the computer falls, the case and other components could be damaged.
2. **Don't overheat it.** Note the proximity of any heating elements. Keep the computer out of direct sunlight.
3. **Avoid interference.** Note the proximity of any high capacity transformers, electric motors, and other strong magnetic fields. These can hinder proper performance and damage components and/or data. You should also monitor the position of magnetized tools (i.e. screwdrivers).
4. **Keep it dry.** This is an electrical appliance. If water or any other liquid gets into it, the computer could be badly damaged.
5. **Be careful with power.** Avoid accidental shocks, discharges or explosions.
 - Before removing or servicing any part from the computer, turn the computer off and detach any power supplies.
 - When you want to unplug the power cord or any cable/wire, be sure to disconnect it by the plug head. Do not pull on the wire.
6. **Peripherals** – Turn off and detach any peripherals.
7. **Beware of static discharge.** ICs, such as the CPU and main support chips, are vulnerable to static electricity. Before handling any part in the computer, discharge any static electricity inside the computer. When handling a printed circuit board, do not use gloves or other materials which allow static electricity buildup. We suggest that you use an anti-static wrist strap instead.
8. **Beware of corrosion.** As you perform your job, avoid touching any connector leads. Even the cleanest hands produce oils which can attract corrosive elements.
9. **Keep your work environment clean.** Tobacco smoke, dust or other air-borne particulate matter is often attracted to charged surfaces, reducing performance.
10. **Keep track of the components.** When removing or replacing any part, be careful not to leave small parts, such as screws, loose inside the computer.

Cleaning

Do not apply cleaner directly to the computer, use a soft clean cloth.

Do not use volatile (petroleum distillates) or abrasive cleaners on any part of the computer.



Power Safety Warning

Before you undertake any upgrade procedures, make sure that you have turned off the power, and disconnected all peripherals and cables (including telephone lines). It is advisable to also remove your battery in order to prevent accidentally turning the machine on.

Disassembly Steps

The following table lists the disassembly steps, and on which page to find the related information. **PLEASE PERFORM THE DISASSEMBLY STEPS IN THE ORDER INDICATED.**

To remove the Battery:

1. Remove the battery [page 2 - 7](#)

To remove the Bay One Device:

1. Remove the battery [page 2 - 7](#)
2. Remove the Bay One device [page 2 - 8](#)

To remove the Hard Disk Drive:

1. Remove the battery [page 2 - 7](#)
2. Remove the Bay One device [page 2 - 8](#)
3. Remove the hard disk drive assembly [page 2 - 9](#)

To remove the Bay Two Device:

1. Remove the battery [page 2 - 7](#)
2. Remove the Bay Two device [page 2 - 10](#)

To remove the Keyboard:

1. Remove the battery [page 2 - 7](#)
2. Remove the keyboard [page 2 - 11](#)

To remove the System Memory:

1. Remove the battery [page 2 - 7](#)
2. Remove the keyboard [page 2 - 11](#)
3. Remove the memory [page 2 - 12](#)

To remove the CPU:

1. Remove the battery [page 2 - 7](#)
2. Remove the CPU [page 2 - 13](#)

To remove the Modem:

1. Remove the battery [page 2 - 7](#)
2. Remove the keyboard [page 2 - 11](#)
3. Remove the modem [page 2 - 15](#)

To remove the Wireless LAN:

1. Remove the battery [page 2 - 7](#)
2. Remove the keyboard [page 2 - 11](#)
3. Remove the Wireless LAN [page 2 - 16](#)

To remove the Palm Rest:

1. Remove the Palm Rest [page 2 - 17](#)

To remove the Bottom Case:

1. Remove the battery [page 2 - 7](#)
2. Remove the Bay One device [page 2 - 8](#)
3. Remove the hard disk drive assembly [page 2 - 9](#)
4. Remove the Bay Two device [page 2 - 10](#)
5. Remove the keyboard [page 2 - 11](#)
6. Remove the CPU [page 2 - 13](#)
7. Remove the Palm Rest [page 2 - 17](#)
8. Remove the bottom case [page 2 - 18](#)

To remove the Audio “DJ” Module:

1. Remove the battery *page 2 - 7*
2. Remove the Bay One device *page 2 - 8*
3. Remove the hard disk drive assembly *page 2 - 9*
4. Remove the Bay Two device *page 2 - 10*
5. Remove the keyboard *page 2 - 11*
6. Remove the CPU *page 2 - 13*
7. Remove the Palm Rest *page 2 - 17*
8. Remove the bottom case *page 2 - 18*
9. Remove the Audio “DJ” module *page 2 - 20*

To remove the HDD Converter Board:

1. Remove the battery *page 2 - 7*
2. Remove the Bay One device *page 2 - 8*
3. Remove the hard disk drive assembly *page 2 - 9*
4. Remove the Bay Two device *page 2 - 10*
5. Remove the keyboard *page 2 - 11*
6. Remove the CPU *page 2 - 13*
7. Remove the Palm Rest *page 2 - 17*
8. Remove the bottom case *page 2 - 18*
9. Remove the Audio “DJ” module *page 2 - 20*
10. Remove the HDD converter board *page 2 - 21*

To remove the Mainboard:

1. Remove the battery *page 2 - 7*
2. Remove the Bay One device *page 2 - 8*
3. Remove the hard disk drive assembly *page 2 - 9*
4. Remove the Bay Two device *page 2 - 10*
5. Remove the keyboard *page 2 - 11*
6. Remove the CPU *page 2 - 13*
7. Remove the Palm Rest *page 2 - 17*
8. Remove the bottom case *page 2 - 18*

9. Remove the Audio “DJ” module *page 2 - 20*
10. Remove the HDD converter board *page 2 - 21*
11. Remove the mainboard *page 2 - 22*

To remove the DC/DC Board:

1. Remove the battery *page 2 - 7*
2. Remove the Bay One device *page 2 - 8*
3. Remove the hard disk drive assembly *page 2 - 9*
4. Remove the Bay Two device *page 2 - 10*
5. Remove the keyboard *page 2 - 11*
6. Remove the CPU *page 2 - 13*
7. Remove the Palm Rest *page 2 - 17*
8. Remove the bottom case *page 2 - 18*
9. Remove the Audio “DJ” module *page 2 - 20*
10. Remove the HDD converter board *page 2 - 21*
11. Remove the mainboard *page 2 - 22*
12. Remove the DC/DC board *page 2 - 24*

To remove the Click Board:

1. Remove the battery *page 2 - 7*
2. Remove the Bay One device *page 2 - 8*
3. Remove the hard disk drive assembly *page 2 - 9*
4. Remove the Bay Two device *page 2 - 10*
5. Remove the keyboard *page 2 - 11*
6. Remove the CPU *page 2 - 13*
7. Remove the Palm Rest *page 2 - 17*
8. Remove the bottom case *page 2 - 18*
9. Remove the Click Board *page 2 - 25*

To remove the TouchPad:

1. Remove the battery [page 2 - 7](#)
2. Remove the Bay One device [page 2 - 8](#)
3. Remove the hard disk drive assembly [page 2 - 9](#)
4. Remove the Bay Two device [page 2 - 10](#)
5. Remove the keyboard [page 2 - 11](#)
6. Remove the CPU [page 2 - 13](#)
7. Remove the Palm Rest [page 2 - 17](#)
8. Remove the bottom case [page 2 - 18](#)
9. Remove the TouchPad [page 2 - 25](#)

To remove the LED Board:

1. Remove the battery [page 2 - 7](#)
2. Remove the Bay One device [page 2 - 8](#)
3. Remove the hard disk drive assembly [page 2 - 9](#)
4. Remove the Bay Two device [page 2 - 10](#)
5. Remove the keyboard [page 2 - 11](#)
6. Remove the CPU [page 2 - 13](#)
7. Remove the Palm Rest [page 2 - 17](#)
8. Remove the bottom case [page 2 - 18](#)
9. Remove the LED board [page 2 - 26](#)

To remove the Speakers:

1. Remove the battery [page 2 - 7](#)
2. Remove the Bay One device [page 2 - 8](#)
3. Remove the hard disk drive assembly [page 2 - 9](#)
4. Remove the Bay Two device [page 2 - 10](#)
5. Remove the keyboard [page 2 - 11](#)
6. Remove the CPU [page 2 - 13](#)
7. Remove the Palm Rest [page 2 - 17](#)
8. Remove the bottom case [page 2 - 18](#)
9. Remove the speakers [page 2 - 26](#)

To remove the Inverter:

1. Remove the battery [page 2 - 7](#)
2. Remove the Bay One device [page 2 - 8](#)
3. Remove the hard disk drive assembly [page 2 - 9](#)
4. Remove the Bay Two device [page 2 - 10](#)
5. Remove the keyboard [page 2 - 11](#)
6. Remove the CPU [page 2 - 13](#)
7. Remove the Palm Rest [page 2 - 17](#)
8. Remove the bottom case [page 2 - 18](#)
9. Remove the inverter [page 2 - 27](#)

To remove the LCD panel:

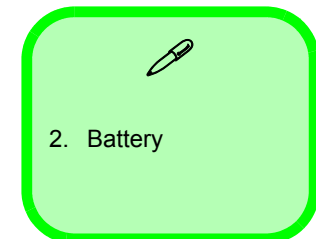
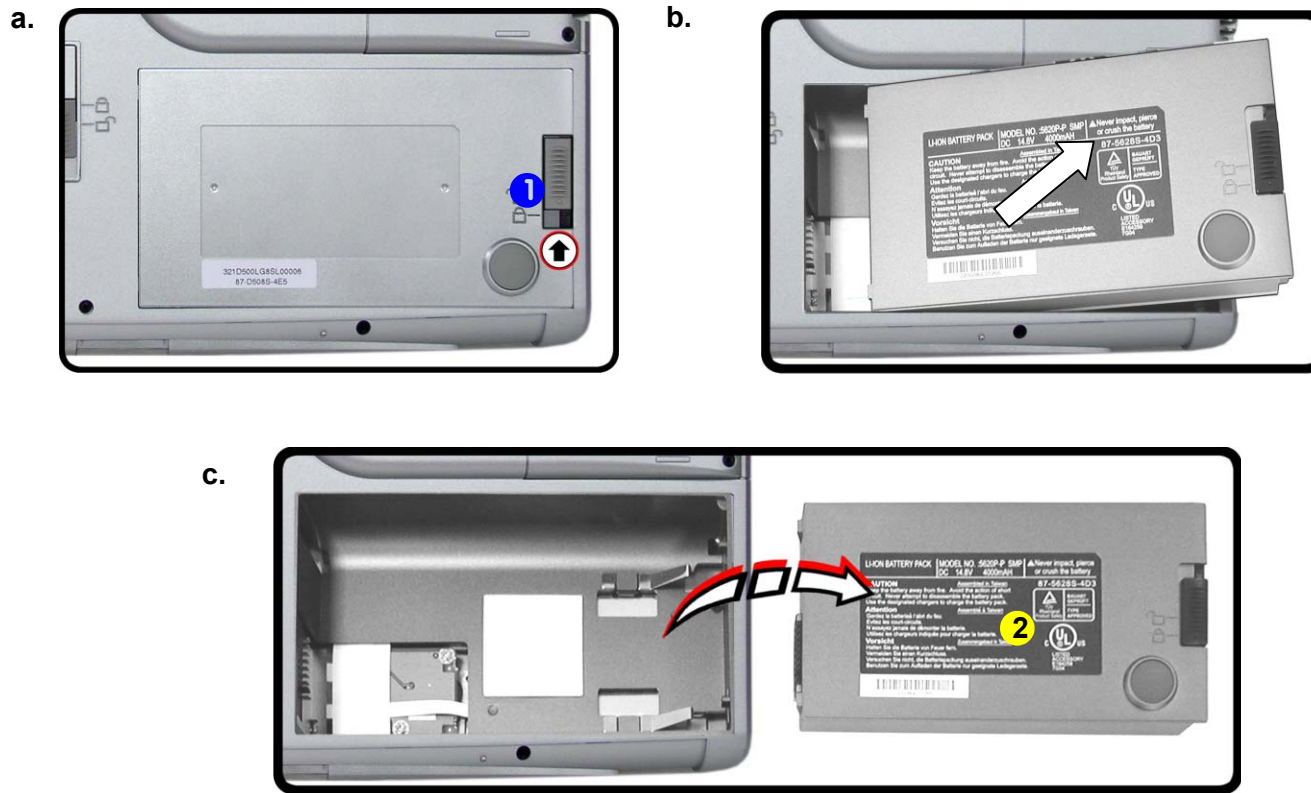
1. Remove the battery [page 2 - 7](#)
2. Remove the Bay One device [page 2 - 8](#)
3. Remove the hard disk drive assembly [page 2 - 9](#)
4. Remove the Bay Two device [page 2 - 10](#)
5. Remove the keyboard [page 2 - 11](#)
6. Remove the CPU [page 2 - 13](#)
7. Remove the Palm Rest [page 2 - 17](#)
8. Remove the bottom case [page 2 - 18](#)
9. Remove the LCD Panel [page 2 - 28](#)

Removing the Battery

1. Turn the computer **OFF** and turn it over to locate the battery release latch **1** (*Figure 2 - 1a*).
2. Slide the battery release latch towards the unlock symbol.
3. The battery **2** will pop-up and can be lifted out of the computer.

Figure 2 - 1
Battery Removal Sequence

- a. Slide the battery release latch to the unlock position.
- b. The battery will pop-up.
- c. Remove the battery.



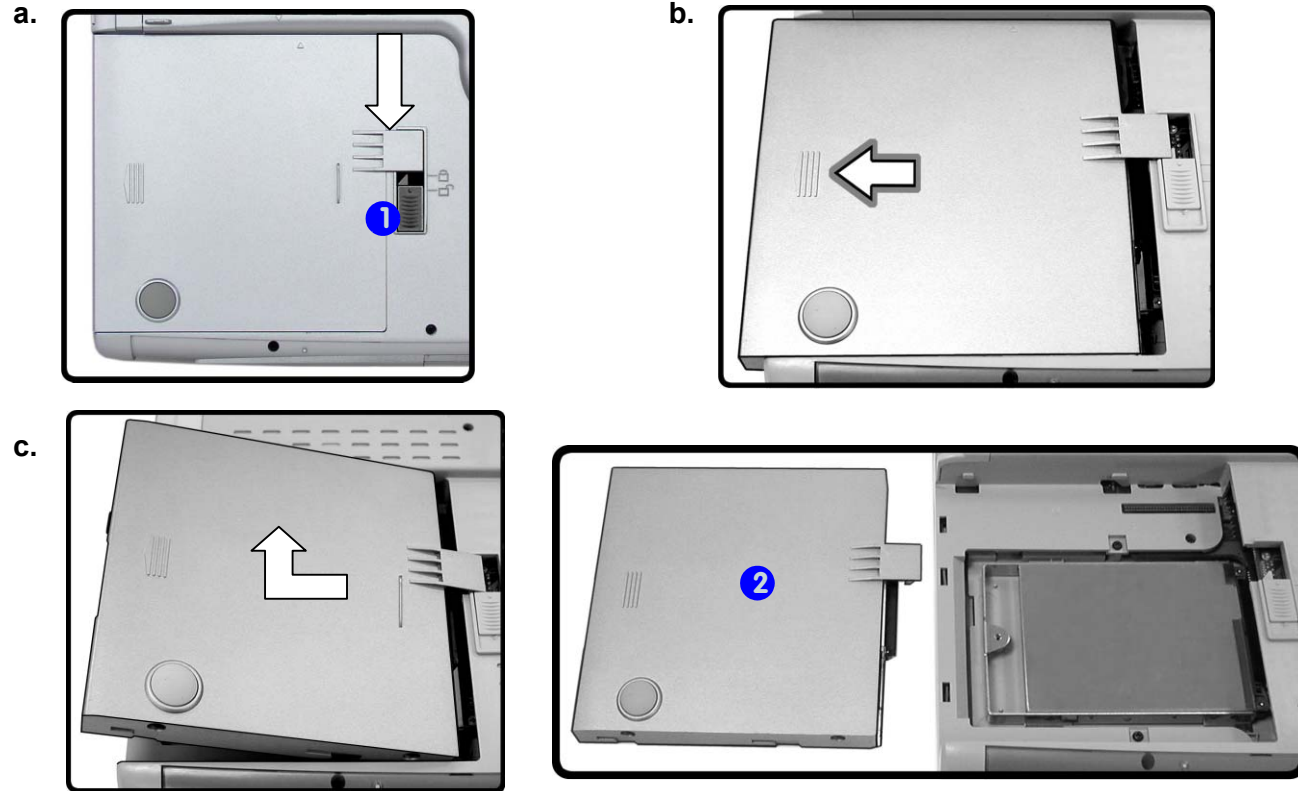
Disassembly

Figure 2 - 2 Bay One Device Removal Sequence

- Slide the release latch to the unlock position and hold it in position.
- Partially slide the device out partially.
- Lift the device up and out of the computer.

Removing the Bay One Device

- Turn the computer **OFF**.
- Place the computer on a clean, stable surface and turn it over.
- Locate the release latch **1** (*Figure 2 - 2a*) for the Bay One device.
- Slide the release latch towards the unlock symbol and hold it in position.
- With the release latch held in position, slide the device out slightly, then lift it up and out of the computer.

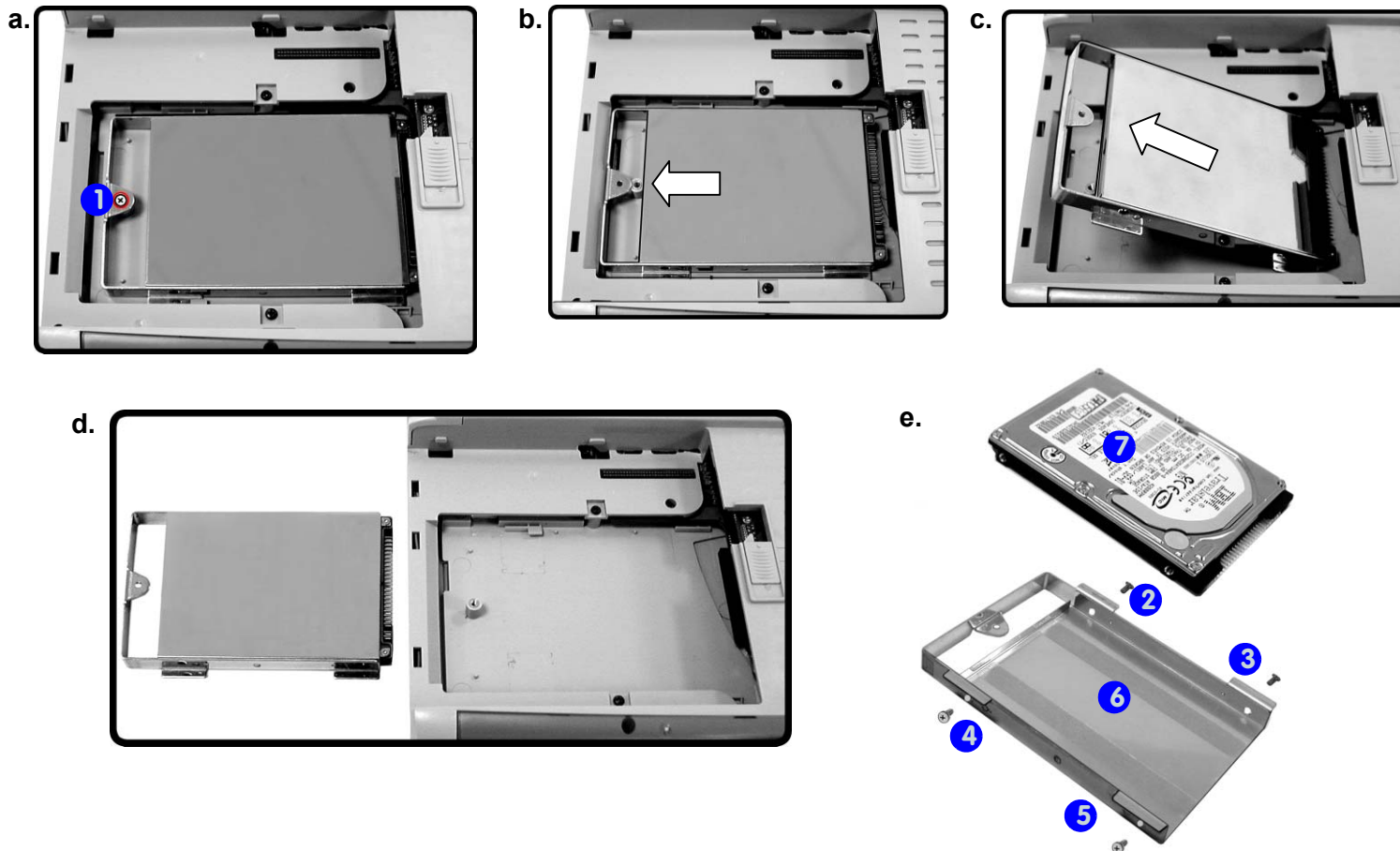



Removing the Hard Disk Drive Assembly

1. Turn the computer **OFF** and turn it over.
2. Remove the device in Bay One (see *“Removing the Bay One Device”* on page 2 - 8).
3. Remove screw **1** (*Figure 2 - 3a*).
4. Slide the HDD assembly forward, then lift it up out of the computer.
5. Remove screws **2** - **5** (*Figure 2 - 3e*) from the assembly, and slide the hard disk **7** out of the case **6**.

Figure 2 - 3
Hard Disk Removal Sequence

- a. Remove the HDD assembly screw.
- b. Slide the HDD assembly in the direction of the arrow.
- c. Lift the HDD assembly up.
- d. Lift the HDD assembly out of the computer.
- e. Remove the screws and separate the HDD from the case.





6. HDD case
7. HDD

- 5 Screws

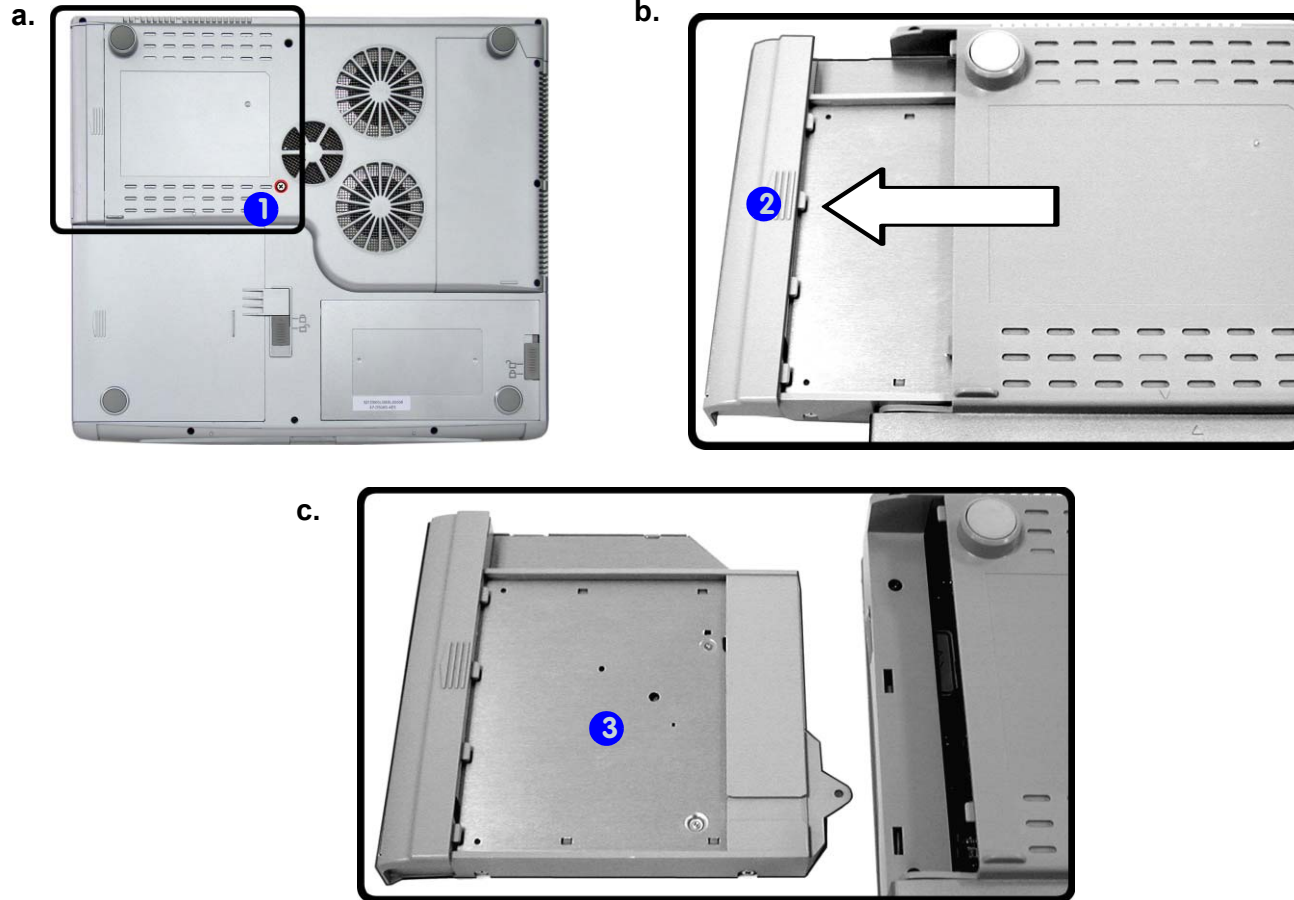
Disassembly

Figure 2 - 4 Bay Two Device Removal Sequence

- a. Remove the screw from point ①.
- b. Apply pressure to point ② to slide the device out of the bay.

Removing the Bay Two Device

1. Turn **OFF** the computer.
2. Turn the computer over.
3. Remove screw ① (*Figure 2 - 4a*).
4. Apply gentle but firm pressure at point ② (*Figure 2 - 4b*), and slide the device out of the computer.



3. Bay Two device

- 1 Screw

Removing the Keyboard

1. Turn **OFF** the computer.
2. Press the two keyboard latches at the top of the keyboard as in *Figure 2 - 5a* (you may need to use a small screwdriver to do this). The keyboard will then pop-up and can be lifted out of the computer
3. Carefully lift the keyboard up and out, being careful not to bend the keyboard ribbon cable **3** (*Figure 2 - 5b*).
4. Disconnect the keyboard ribbon cable from the locking collar socket (*Figure 2 - 5b*).

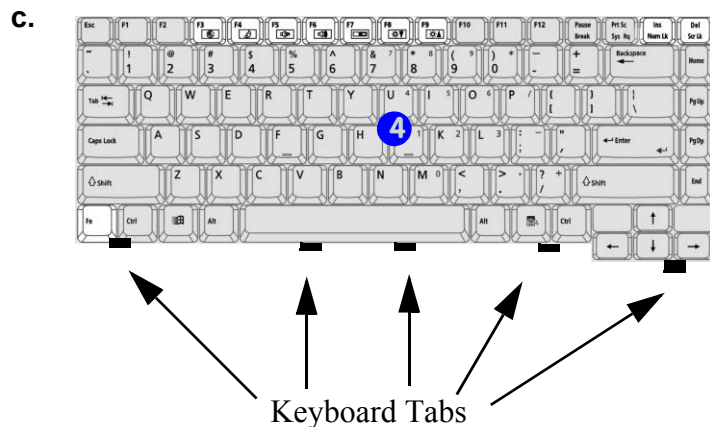
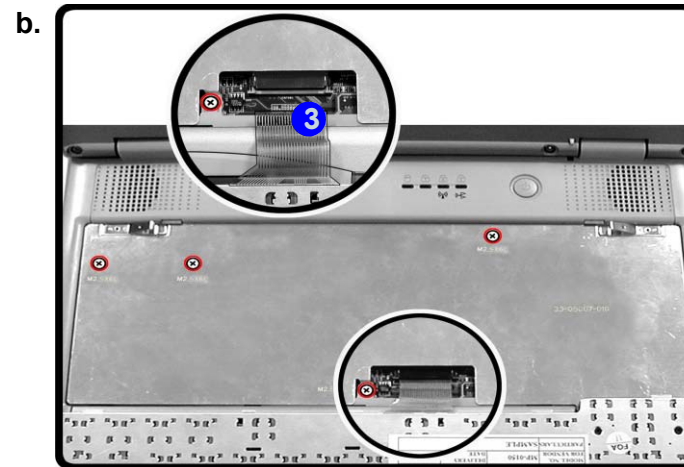
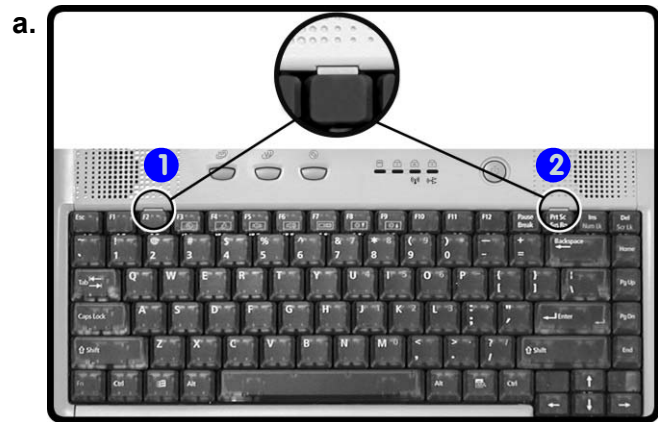


Figure 2 - 5
Keyboard Removal Sequence

- a. Press the two latches to release the keyboard.
- b. Lift the keyboard out and disconnect the cable from the locking collar.



Re-Inserting the Keyboard

When re-inserting the keyboard firstly align the **five** keyboard tabs (*Figure 2 - 5c*) at the bottom of the keyboard with the slots in the case.



4. Keyboard

Disassembly

Figure 2 - 6 Memory Removal Sequence

- Remove the screws from the shielding plate.
- Remove the shielding plate.
- Pull the latch(es) on the memory sockets to release the module(s).
- When the module pops up, lift it out.



1. Shielding plate
10. Memory module(s)

- 4 Screws

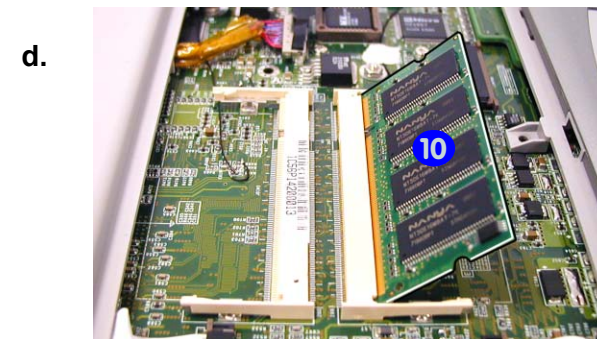
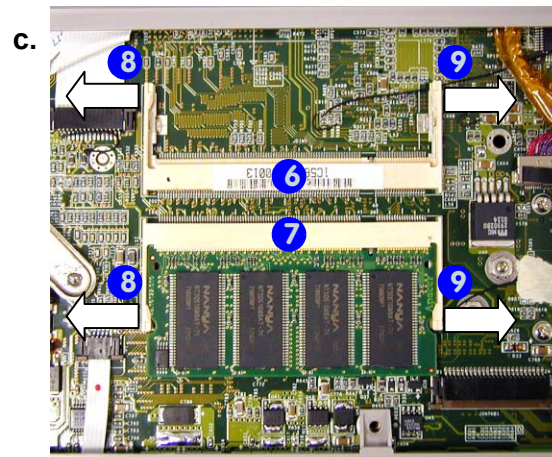
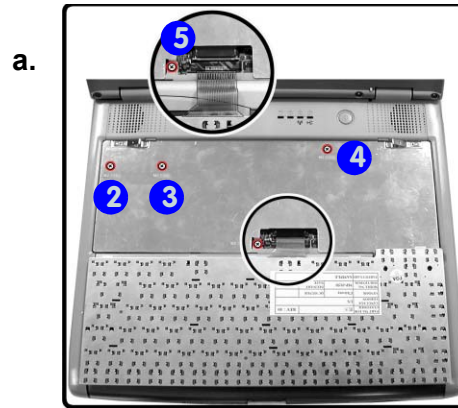


Contact Warning

Be careful not to touch the metal pins on the module's connecting edge. Even the cleanest hands have oils which can attract particles, and degrade the module's performance.

Removing the System Memory

- Remove the keyboard ([page 2 - 11](#)).
- Remove screws **2** - **5** ([Figure 2 - 6a](#)) from the shielding plate, and lift the plate up **1** off the computer.
- Locate the memory sockets **6** and **7** ([Figure 2 - 6c](#)), and gently pull latches **8** and **9** ([Figure 2 - 6c](#)) on the memory socket toward the sides of the computer as indicated in [Figure 2 - 6c](#).
- The module **10** ([Figure 2 - 6d](#)) will pop-up, and you can remove it.
- Insert a new module holding it at about a 30° angle and fit the connectors firmly into the memory slot.



Removing the CPU

1. Turn OFF the computer and turn it over.
2. Remove the screws ① - ③ (*Figure 2 - 7a*) from the CPU cover, and remove the CPU cover ④.

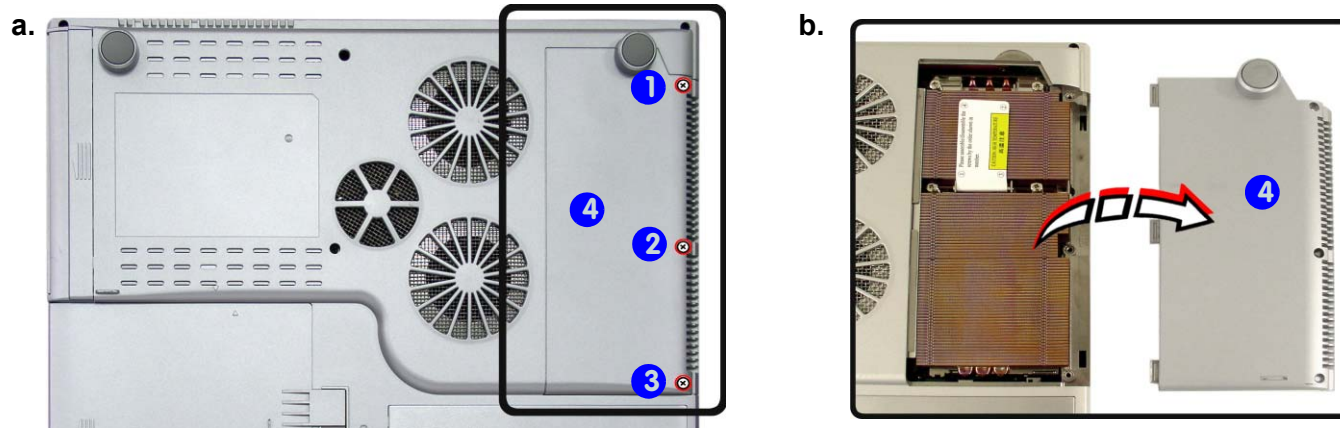




Figure 2 - 7
**Processor
Removal
Sequence**

- a. Remove the three screws and the CPU cover.
- b. Remove the CPU cover.

3. Remove the four screws from the heat sink in order ⑤ - ⑧ as indicated (*Figure 2 - 8*).


Caution


The heat sink, and CPU area in general, contains parts which are subject to high temperatures - Please allow the area time to cool before removing these parts.


**Reassembly Screw
Order**

When inserting a new or replacement CPU, make sure you insert the screws in the same order indicated in *Figure 2 - 8*.

Figure 2 - 8
**Processor
Removal
Sequence
(cont'd)**

Remove the four screws from the heat sink in **the order indicated**.



4. CPU cover

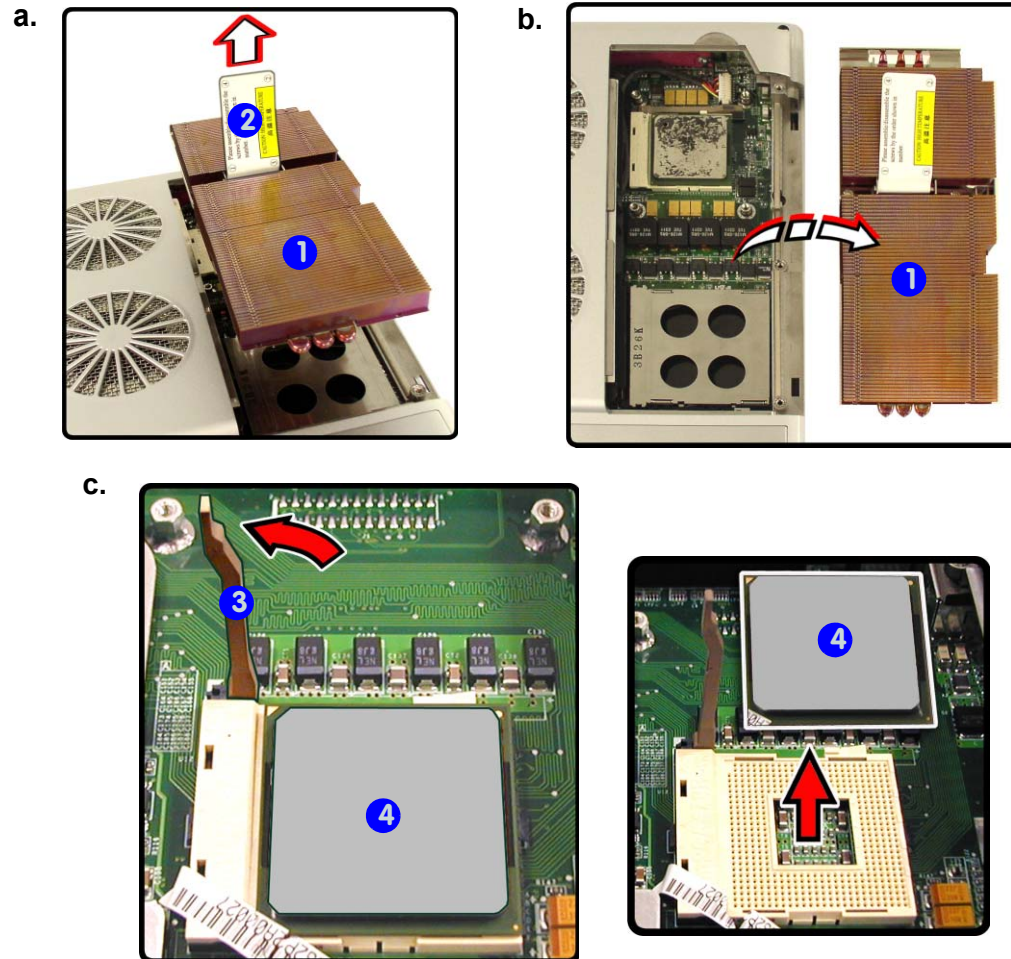
- 7 Screws

Disassembly

Figure 2 - 9 Processor Removal Sequence (cont'd)

- Pull the heat sink unit upwards.
- Remove the heat sink from the computer.
- Unlock the cpu and remove it.

- Carefully pull the heat sink ① upward using the label at point ② (Figure 2 - 9a).
- Remove the heat sink ① (Figure 2 - 9b) from the computer.
- Unlock the processor by raising lever ③ (Figure 2 - 9c) to the fully vertical position, and carefully lift the processor ④ off the socket.



- Heat sink
- CPU

Removing the Modem

1. Remove the keyboard ([page 2 - 11](#)) and shielding plate ([page 2 - 12](#)).
2. Remove screws ① - ② and carefully lift the modem ③ up off the mainboard ([Figure 2 - 10](#)).
3. Disconnect the modem cable ④ from the modem module.
4. When replacing the standard MDC modem module with a Bluetooth modem combo module, *see “Installing a Bluetooth Modem” on page C - 2.*

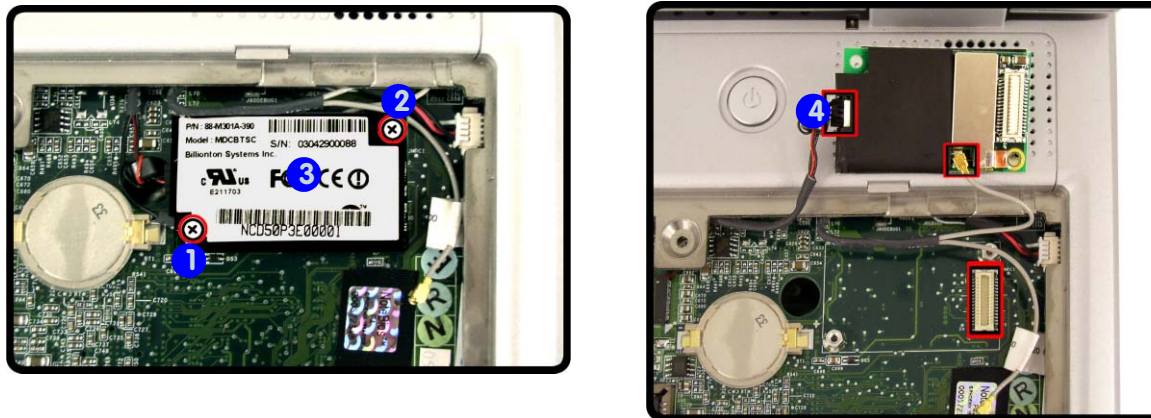


Figure 2 - 10
Modem Removal Sequence

Remove the screws, lift the modem off the mainboard, and disconnect the cable.

Note: Disregard the two antenna cables if the computer has no wireless LAN module. If the computer has a wireless LAN module, the two antenna cables should be connected to the wireless LAN module - *see “Wireless LAN Module Removal Sequence” on page 2 - 16.*



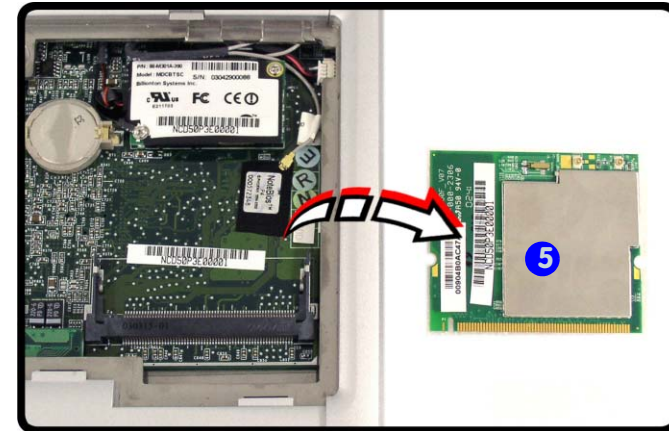
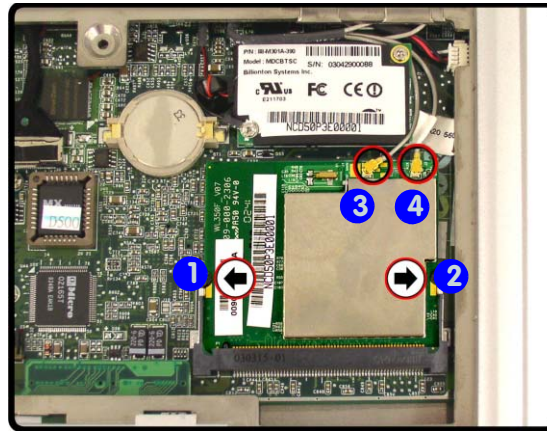
3. Modem
- 2 Screws

Figure 2 - 11 Wireless LAN Module Removal Sequence

Pull the latches, lift the module off the mainboard, and disconnect the cables.

Removing the Wireless LAN

1. Remove the keyboard ([page 2 - 11](#)) and shielding plate ([page 2 - 12](#)).
2. Gently pull latches **1** & **2** in the direction of the arrows ([Figure 2 - 11](#)) and the module will pop-up.
3. For computers with standard modem., disconnect the two antenna cables **3** & **4** (shorter cable “MAIN/ J1” socket and longer cable “AUX/ J2” socket) and carefully remove the wireless LAN module **5**.
4. For computers with Bluetooth modem combo, reverse the installation procedure of the wireless LAN ([see “Installing the 802.11b+g Wireless LAN” on page C - 3](#) or [“Installing the 802.11a+b+g Wireless LAN” on page C - 4](#)).



5. Wireless LAN
module

Removing the Palm Rest

1. With the computer shut down and on a level surface, raise the LCD cover.
2. Remove the palm rest by applying gentle upward pressure with your fingers close to the area around the **left Alt** key, and the **right Ctrl** key (*Figure 2 - 12*).
3. To replace the palm rest **1**, slide it back in to place, and then apply slight downward pressure to points **2** and **3** in order to snap it gently back down.



Figure 2 - 12
**Palm Rest
Removal
Sequence**

Apply gentle upward pressure with your fingers close to the area indicated, and lift the palm rest up.



1. Palm Rest

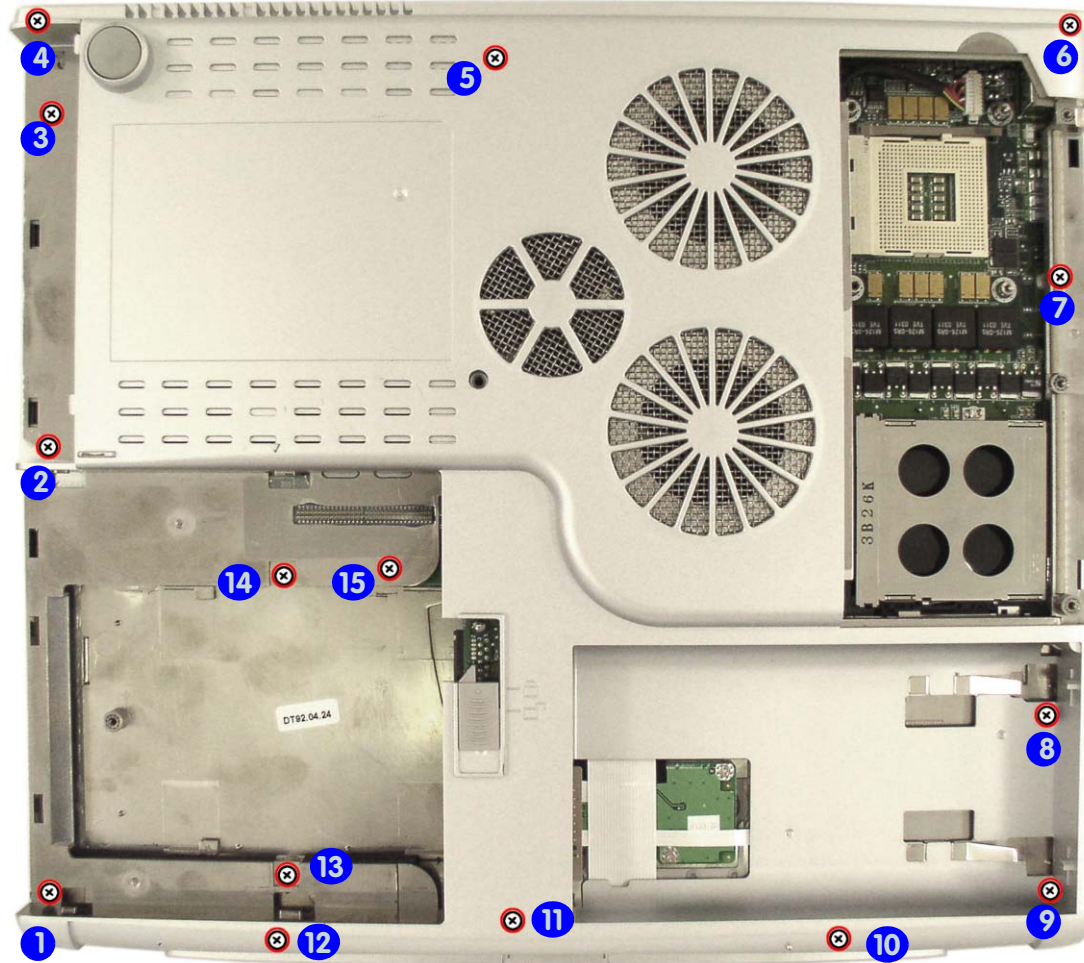
Disassembly

Figure 2 - 13 Bottom Case Removal Sequence

Remove the 15 screws from the bottom of the case.

Removing the Bottom Case

1. Remove the battery ([page 2 - 7](#)), bay one device ([page 2 - 8](#)), hard disk assembly ([page 2 - 9](#)), bay two device ([page 2 - 10](#)), keyboard ([page 2 - 11](#)), shielding plate ([page 2 - 12](#)), CPU ([page 2 - 13](#)) and palm rest ([page 2 - 17](#)).
2. Turn the computer over and remove screws 1 - 15 ([Figure 2 - 13](#)).



- 15 Screws

Disassembly

3. Turn the computer around and remove screws ① - ⑥ (*Figure 2 - 14*) from the rear of the computer.



Figure 2 - 14
**Bottom Case
Removal
Sequence
(cont'd)**

Remove the six screws from the rear of the computer.

4. Disconnect the inverter cable ①, touchpad cable ②, LED cable ③, LCD cable ④, Wireless LAN module ⑤ (if included) speaker cable ⑥ (*Figure 2 - 15*).
5. Carefully lift the LCD and top case assembly ⑦ off the bottom case assembly ⑧.

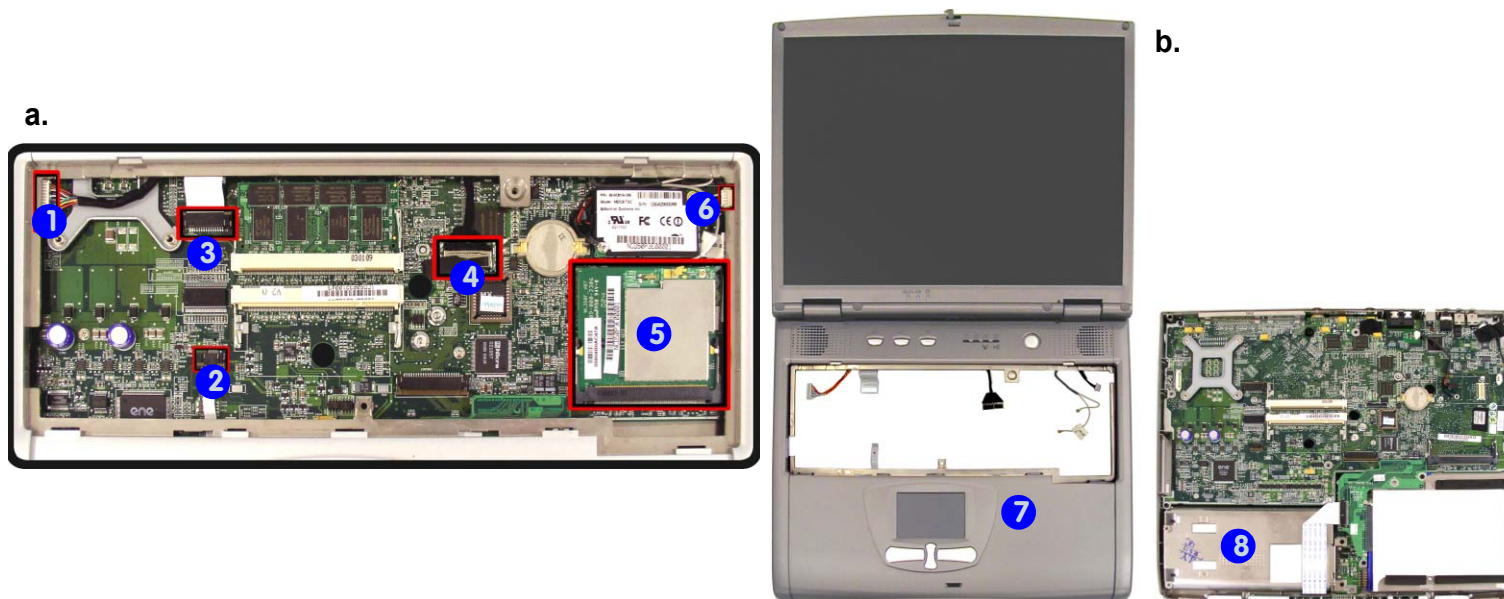


Figure 2 - 15
**Bottom Case
Removal
Sequence
(cont'd)**

- a. Remove the cables connected to the mainboard.
- b. Lift the LCD and top case off the bottom case.

7. LCD & Top Case
8. Bottom Case

- 6 Screws

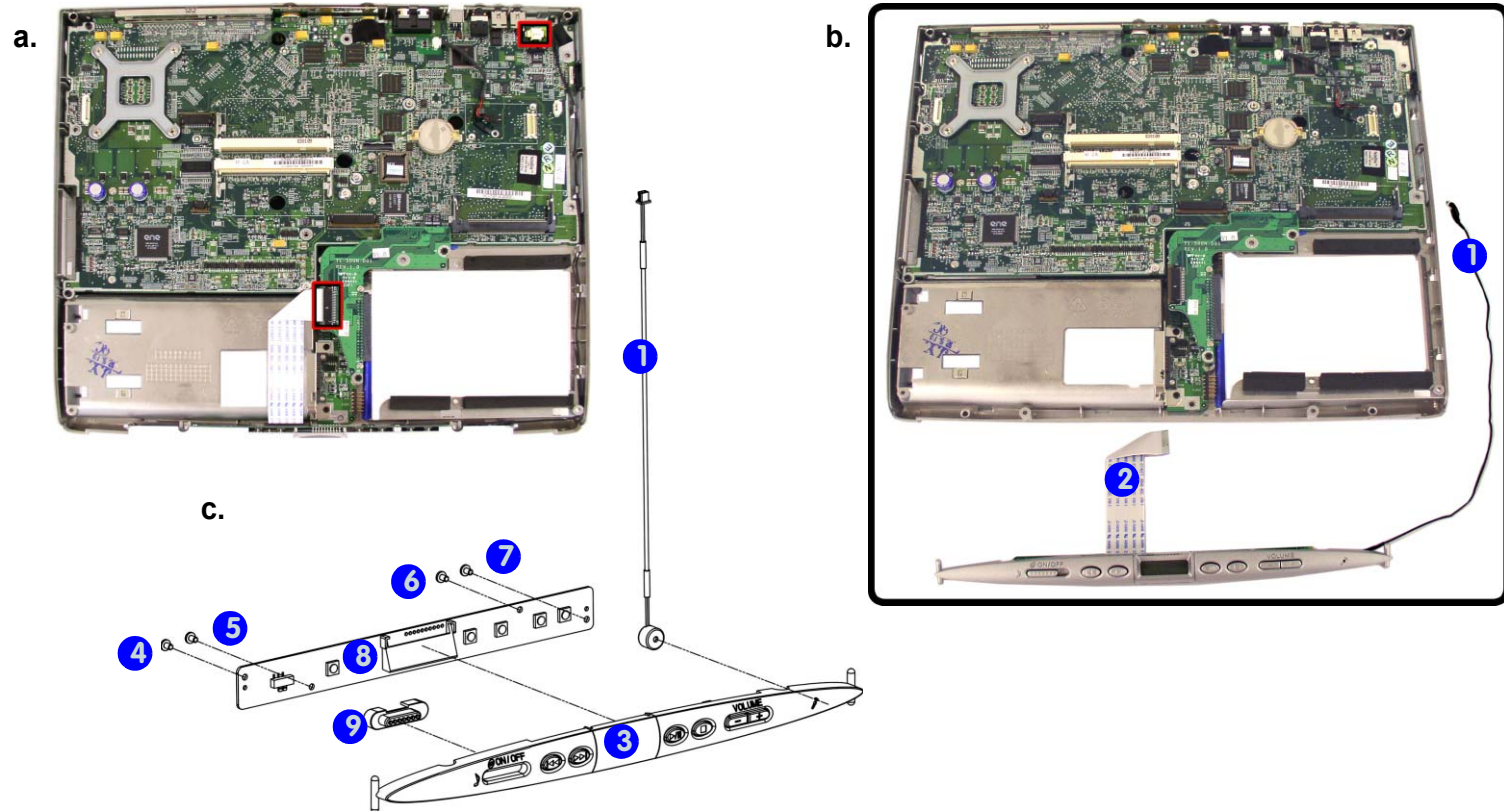
Disassembly

Figure 2 - 16 Audio "DJ" Module Removal Sequence

- Disconnect the microphone and Audio "DJ" cables.
- Remove the module.
- Remove the 4 screws to separate the board, module and power button.

Removing the Audio "DJ" Module

- Remove the battery ([page 2 - 7](#)), bay one device ([page 2 - 8](#)), hard disk assembly ([page 2 - 9](#)), bay two device ([page 2 - 10](#)), keyboard ([page 2 - 11](#)), shielding plate ([page 2 - 12](#)), CPU ([page 2 - 13](#)), palm rest ([page 2 - 17](#)) and bottom case ([page 2 - 18](#)).
- When the top and bottom case assemblies are separated, the Audio "DJ" module will be visible.
- Disconnect the microphone cable **1**, the Audio "DJ" cable **2**, then carefully remove the Audio "DJ" module **3** ([Figure 2 - 16b](#)).
- Remove screws **4** - **7** from the back of the Audio "DJ" board in order to separate the board **8** from the module **3** and power button **9** ([Figure 2 - 16c](#)).



- Microphone Cable
- Audio "DJ" Cable
- Audio "DJ" Module
- Audio "DJ" Board
- Power Button

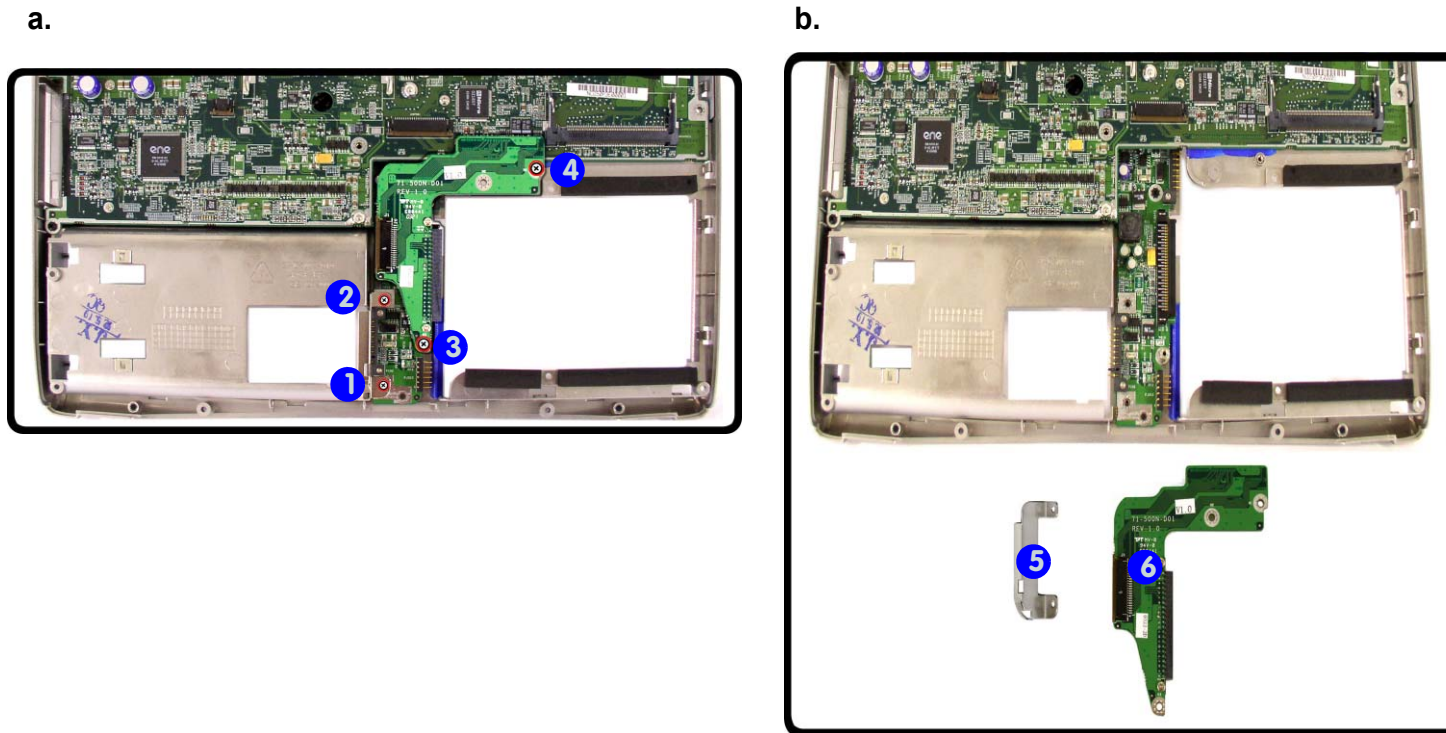
- 4 Screws


Removing the HDD Converter Board

1. Remove the battery ([page 2 - 7](#)), bay one device ([page 2 - 8](#)), hard disk assembly ([page 2 - 9](#)), bay two device ([page 2 - 10](#)), keyboard ([page 2 - 11](#)), shielding plate ([page 2 - 12](#)), CPU ([page 2 - 13](#)), palm rest ([page 2 - 17](#)), bottom case ([page 2 - 18](#)) and Audio “DJ” module ([page 2 - 20](#)).
2. Remove screws ① - ④ from the cover and HDD converter board ([Figure 2 - 17a](#)).
3. Carefully lift the cover ⑤ and HDD converter board ⑥ away from the mainboard (be careful not to bend the pins in the HDD converter board when removing and inserting it).

Figure 2 - 17
HDD Converter Board Removal Sequence

- a. Remove the screws.
- b. Remove the cover and HDD converter board.





5. Cover
 6. HDD converter board

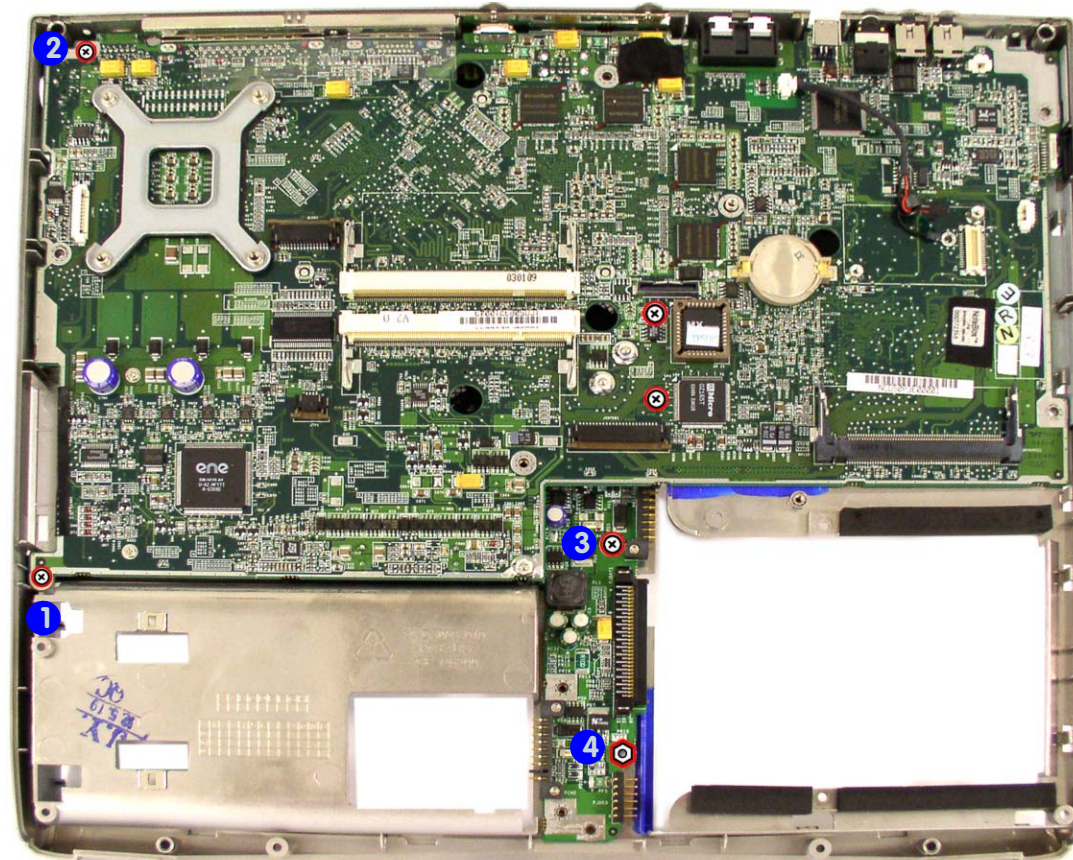
- 4 Screws

Disassembly

Figure 2 - 18 Mainboard Removal Sequence

Removing the Mainboard

1. Remove the battery ([page 2 - 7](#)), bay one device ([page 2 - 8](#)), hard disk assembly ([page 2 - 9](#)), bay two device ([page 2 - 10](#)), keyboard ([page 2 - 11](#)), shielding plate ([page 2 - 12](#)), CPU ([page 2 - 13](#)), palm rest ([page 2 - 17](#)), bottom case ([page 2 - 18](#)), Audio “DJ” module ([page 2 - 20](#)) and HDD converter board ([page 2 - 21](#)).
 2. Remove screws ① - ④ from the mainboard ([Figure 2 - 18](#)).
- a. Remove the screws.



- 4 Screws

3. Separate the system fan cable ③ from the mainboard ①.
4. Lift the mainboard and DC/DC board ④ out of the bottom case ② (*Figure 2 - 19a*).

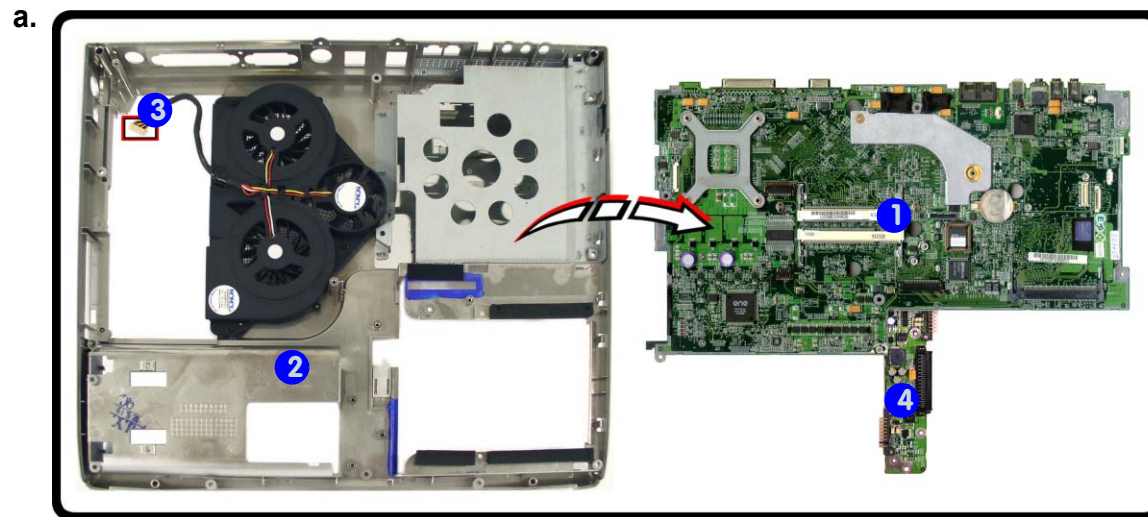


Figure 2 - 19
**Mainboard
Removal
Sequence
(cont'd)**

- a. Separate the system fan cable.
- b. Lift the mainboard assembly out of the bottom case.

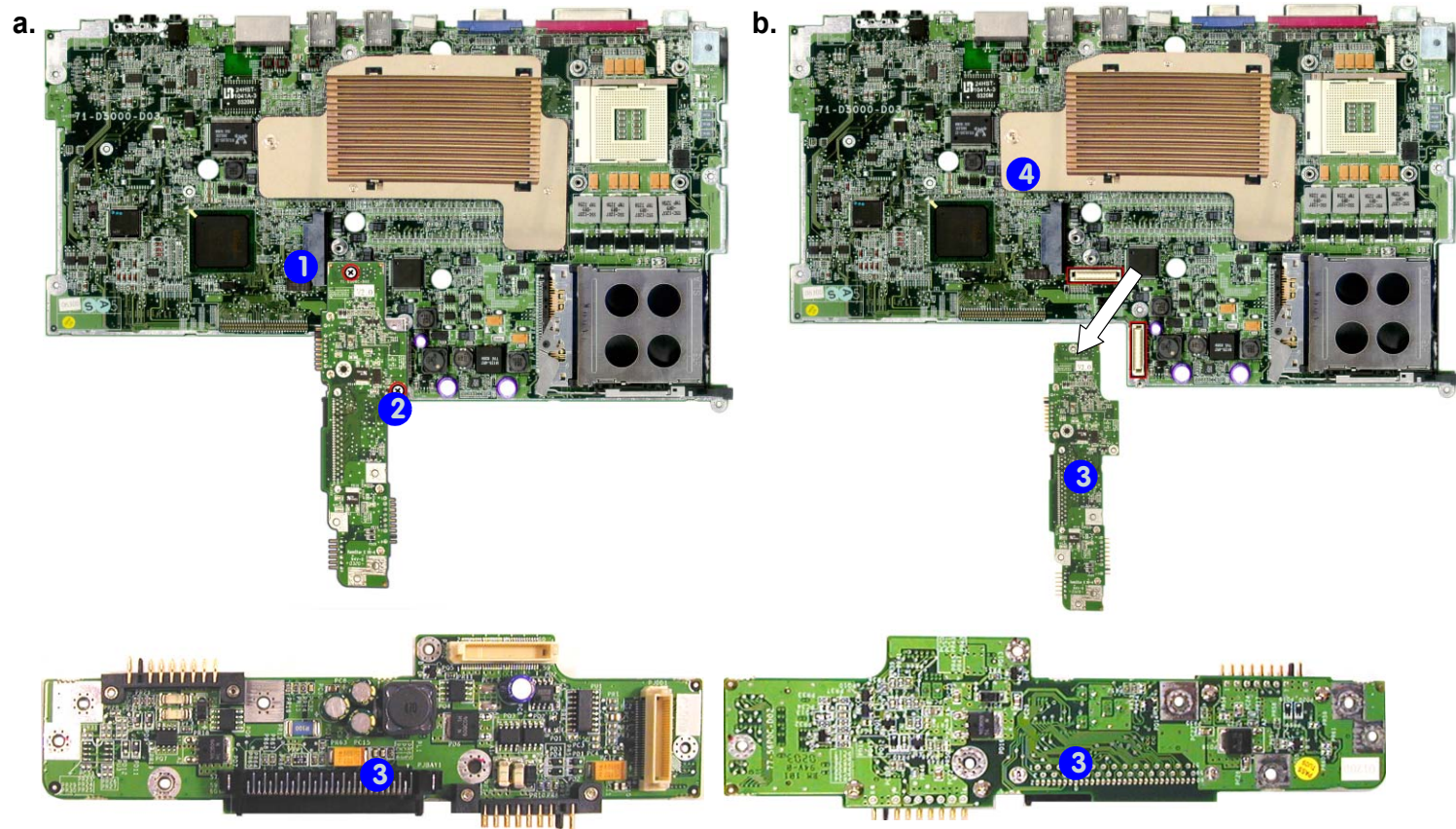


1. Mainboard
2. Bottom case
3. System fan cable
4. DC/DC board

Removing the DC/DC Board

Figure 2 - 20
DC/DC Board
Removal
Sequence

1. Remove screws ① - ②.
 2. Turn the mainboard over and remove screws ① - ② (Figure 2 - 20a).
 3. Carefully separate the DC/DC board ③ from the mainboard ④ (Figure 2 - 20b).
- a. Remove screws ① - ②.
 - b. Separate the mainboard from the DC/DC board.



3. DC/DC board
4. Mainboard

Removing the Click Board

1. Remove the battery ([page 2 - 7](#)), bay one device ([page 2 - 8](#)), hard disk assembly ([page 2 - 9](#)), bay two device ([page 2 - 10](#)), keyboard & shielding plate ([page 2 - 11](#)), CPU ([page 2 - 13](#)), palm rest ([page 2 - 17](#)) and bottom case ([page 2 - 18](#)).
2. Turn the top case assembly over and remove screws **1 - 4**, and disconnect cable **5** ([Figure 2 - 21a](#)).
3. Lift the click board **6** off the top case assembly ([Figure 2 - 21b](#)).

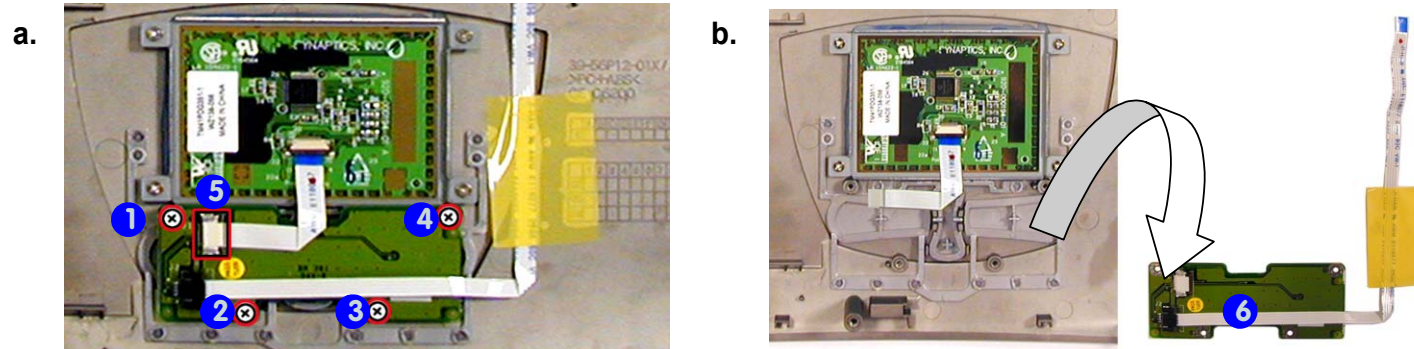
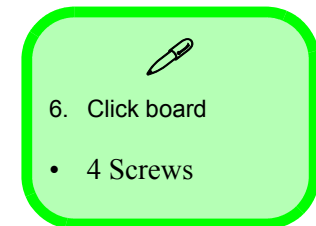


Figure 2 - 21
Click Board Removal Sequence

- a. Remove the screws and disconnect the cable.
- b. Lift the click board off the top case assembly.



Removing the TouchPad

1. Remove the battery ([page 2 - 7](#)), bay one device ([page 2 - 8](#)), hard disk assembly ([page 2 - 9](#)), bay two device ([page 2 - 10](#)), keyboard & shielding plate ([page 2 - 11](#)), CPU ([page 2 - 13](#)), palm rest ([page 2 - 17](#)) and bottom case ([page 2 - 18](#)).
2. Turn the top case assembly over and remove screws **1 - 4**, and disconnect cable **5** ([Figure 2 - 22a](#)).
3. Lift the TouchPad **6** and bracket **7** off the top case assembly ([Figure 2 - 22b](#)).

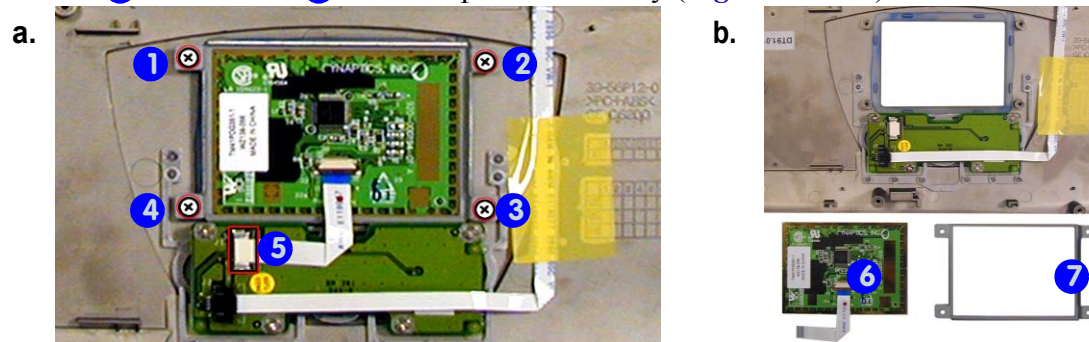
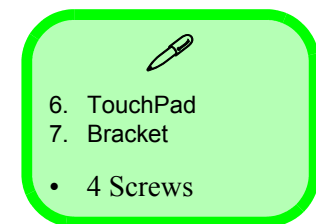


Figure 2 - 22
TouchPad Removal Sequence

- a. Remove the screws and disconnect the cable.
- b. Lift the TouchPad and bracket off the top case assembly.



Disassembly

Figure 2 - 23
**LED Board
Removal
Sequence**

- a. Remove the screws.
- b. Lift the LED board off the top case assembly.

6. LED board
- 5 Screws

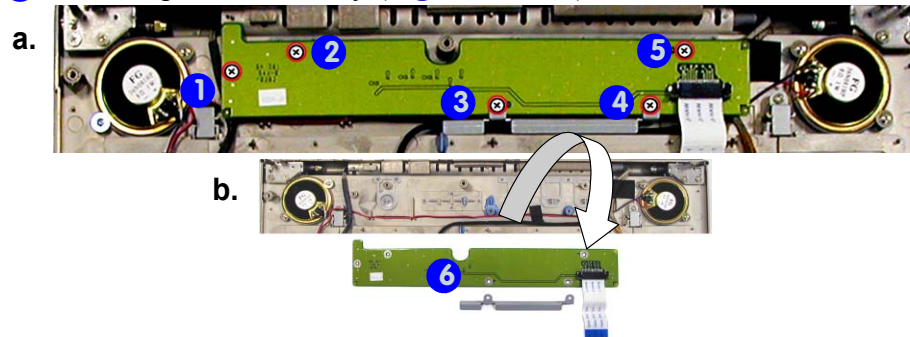
Figure 2 - 24
**Speakers
Removal
Sequence**

- a. Remove the screws.
- b. Lift the speakers off the top case assembly.

5. Speakers
- 4 Screws

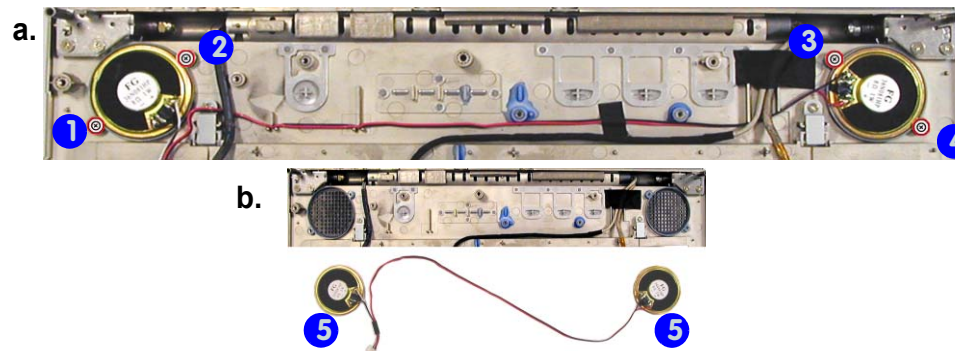
Removing the LED Board

1. Remove the battery ([page 2 - 7](#)), bay one device ([page 2 - 8](#)), hard disk assembly ([page 2 - 9](#)), bay two device ([page 2 - 10](#)), keyboard ([page 2 - 11](#)), shielding plate ([page 2 - 12](#)), CPU ([page 2 - 13](#)), palm rest ([page 2 - 17](#)) and bottom case ([page 2 - 18](#)).
2. Turn the top case assembly over and remove screws ① - ⑤ from the LED board ([Figure 2 - 23a](#)).
3. Lift the LED board ⑥ off the top case assembly ([Figure 2 - 23b](#)).



Removing the Speakers

1. Remove the battery ([page 2 - 7](#)), bay one device ([page 2 - 8](#)), hard disk assembly ([page 2 - 9](#)), bay two device ([page 2 - 10](#)), keyboard ([page 2 - 11](#)), shielding plate ([page 2 - 12](#)), CPU ([page 2 - 13](#)), palm rest ([page 2 - 17](#)), bottom case ([page 2 - 18](#)) and LED board (above).
2. Remove screws ① - ④ from the speakers ([Figure 2 - 24a](#)).
3. Carefully lift the speakers ⑤ off the top case assembly ([Figure 2 - 24b](#)).



Removing the Inverter

1. Remove the battery ([page 2 - 7](#)), bay one device ([page 2 - 8](#)), hard disk assembly ([page 2 - 9](#)), bay two device ([page 2 - 10](#)), keyboard ([page 2 - 11](#)), shielding plate ([page 2 - 12](#)), CPU ([page 2 - 13](#)), palm rest ([page 2 - 17](#)) and bottom case ([page 2 - 18](#)).
2. Remove the rubber covers and screws ① - ⑥ from the LCD ([Figure 2 - 25a](#)).
3. Run your finger around the middle of the frame to carefully unsnap the LCD front panel module ⑦ from the back ([Figure 2 - 25b](#)).
4. Remove screw ⑧ from the inverter, lift to disconnect cables ⑨ & ⑩ from the rear of the inverter ([Figure 2 - 25c](#)).
5. Remove the inverter ⑪ off the LCD assembly ([Figure 2 - 25d](#)).

Figure 2 - 25
LCD Removal
Sequence

- a. Remove the screws.
- b. Unsnap the LCD front panel from the back.
- c. Remove the screw from the inverter.
- d. Disconnect the cables and remove the inverter.

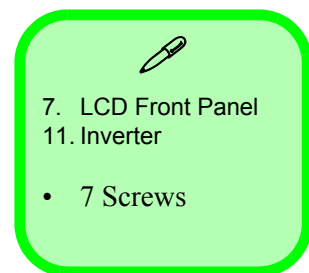
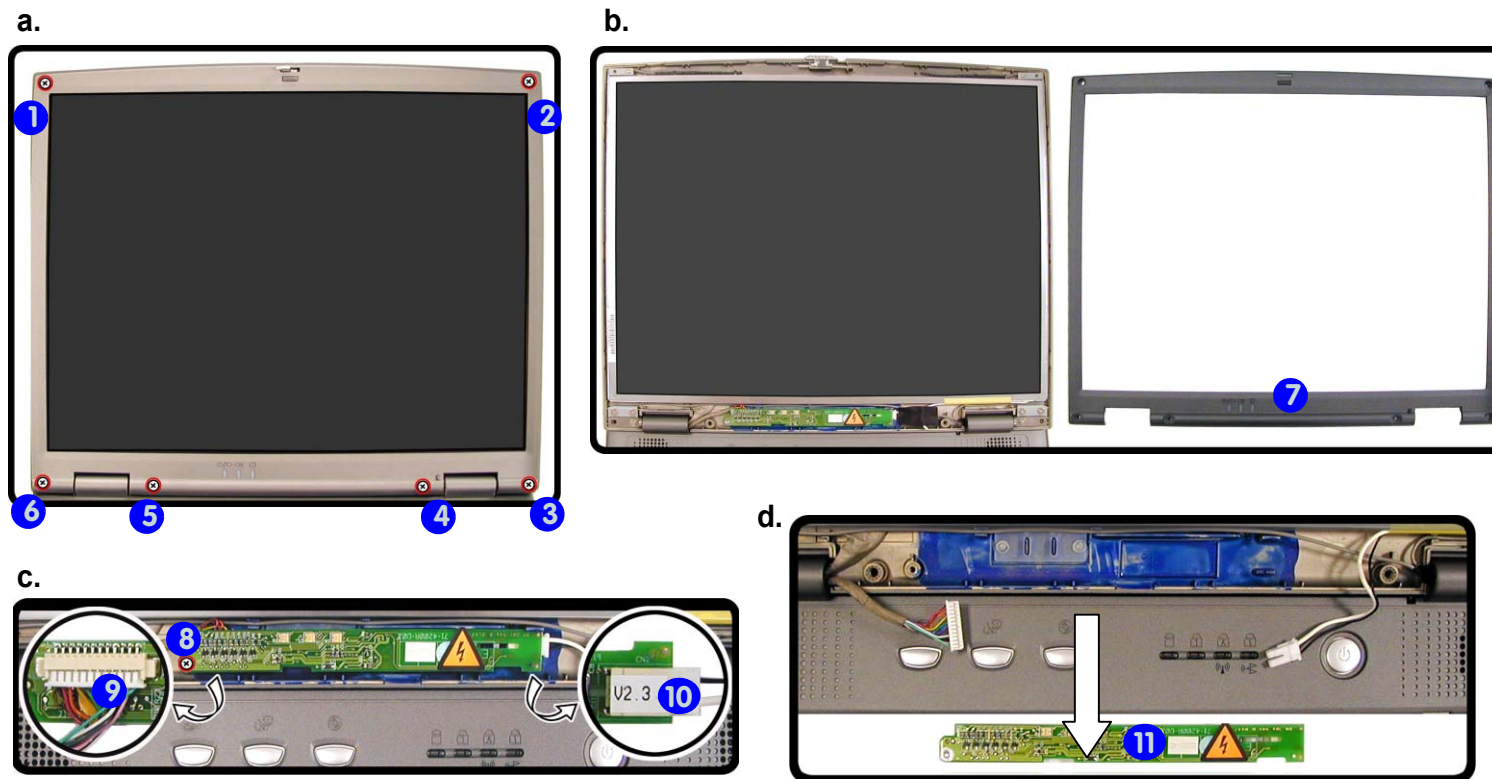
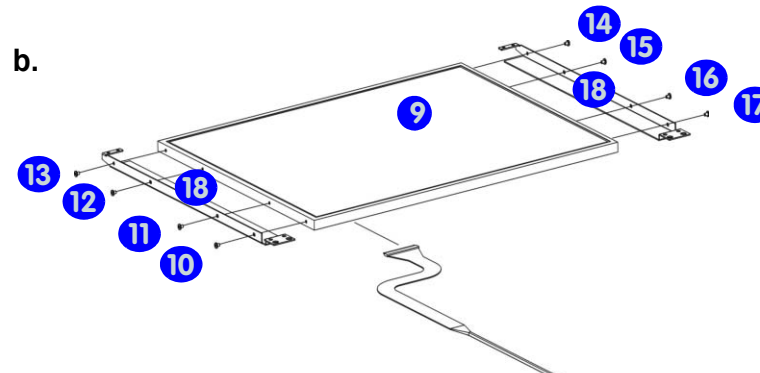
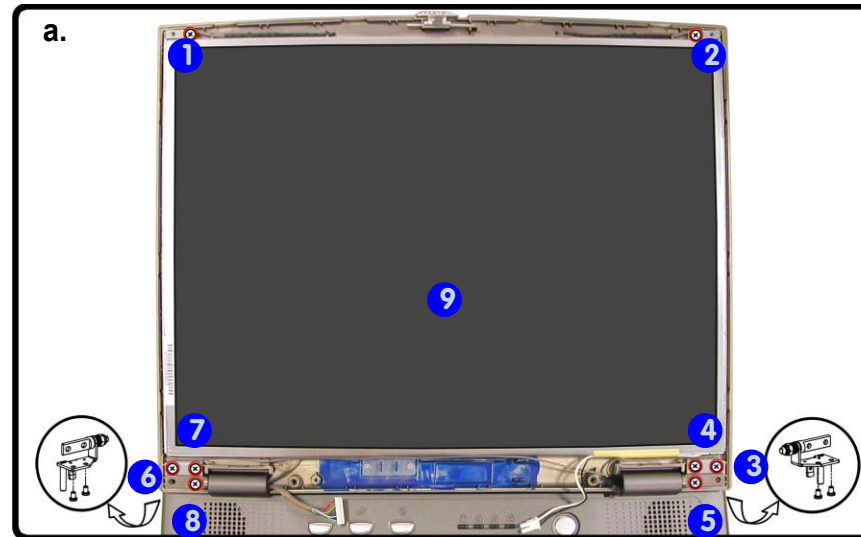


Figure 2 - 26
LCD Removal
Sequence

- a. Remove the screws.
- b. Lift the panel off the assembly and remove the screws to release the brackets.

Removing the LCD Panel

1. Remove the battery ([page 2 - 7](#)), bay one device ([page 2 - 8](#)), hard disk assembly ([page 2 - 9](#)), bay two device ([page 2 - 10](#)), keyboard ([page 2 - 11](#)), shielding plate ([page 2 - 12](#)), CPU ([page 2 - 13](#)), palm rest ([page 2 - 17](#)), bottom case ([page 2 - 18](#)) and inverter ([page 2 - 27](#)).
2. Remove screws ① - ⑧ and lift the LCD panel ⑨ off the top assembly ([Figure 2 - 26a](#)).
3. Remove screws ⑩ - ⑰ to separate the LCD panel from the brackets ⑱ ([Figure 2 - 25b](#)).



9. LCD Panel
18. 2 * Brackets

- 16 Screws

Appendix A: Part Lists

This appendix breaks down the notebook PC's construction into a series of illustrations. The component part numbers are indicated in the tables opposite the drawings.

Note: This section indicates the *manufacturer's* part numbers. Your organization may use a different system, so be sure to cross-check any relevant documentation.

Note: Some assemblies may have parts in common (especially screws). However, the part lists DO NOT indicate the total number of duplicated parts used.

Note: Be sure to check any update notices. The parts shown in these illustrations are appropriate for the system at the time of publication. Over the product life, some parts may be improved or re-configured, resulting in *new* part numbers.

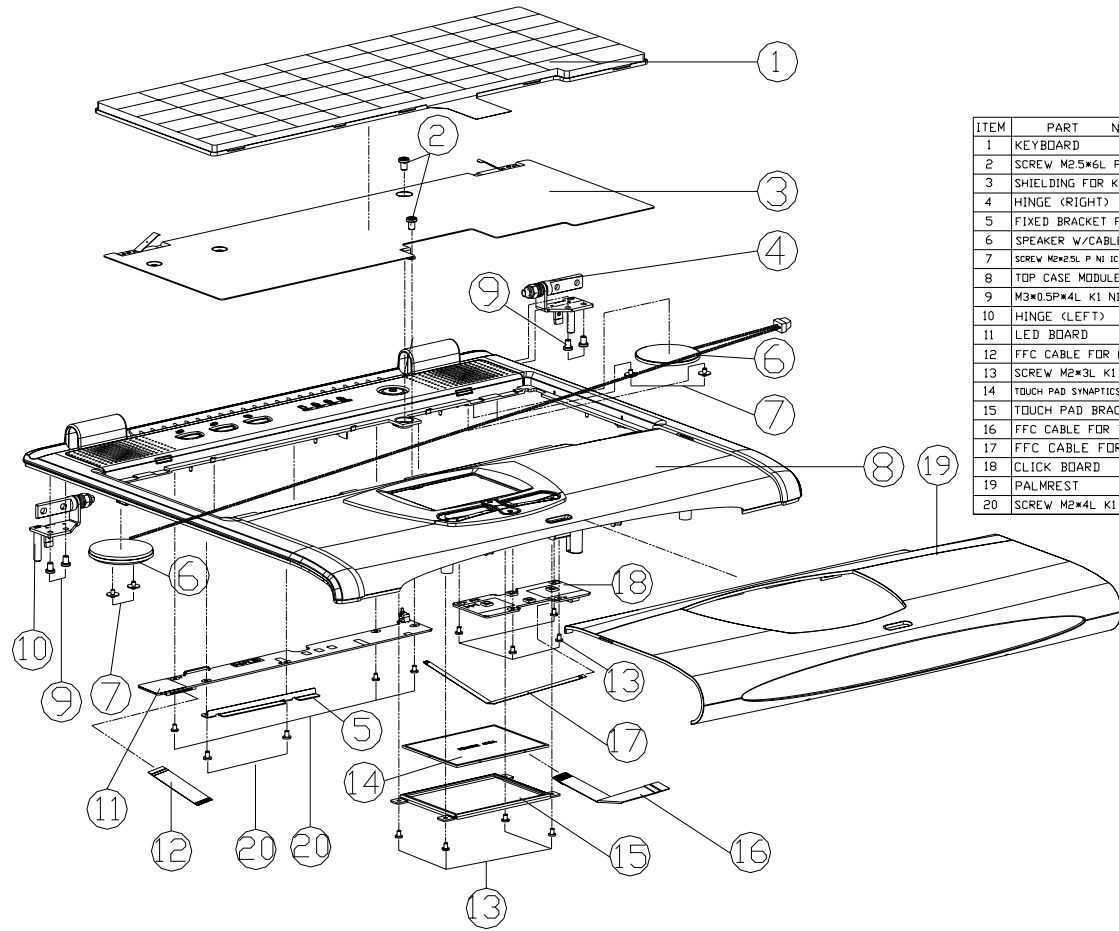
Part List Illustration Location

The following table indicates where to find the appropriate part list illustration.

Table A - 1
**Part List Illustration
 Location**

Part	D500E	D510E	D520E	D530E
Top	<i>page A - 3</i>	<i>page A - 14</i>	<i>page A - 25</i>	<i>page A - 36</i>
Bottom	<i>page A - 4</i>	<i>page A - 15</i>	<i>page A - 26</i>	<i>page A - 37</i>
LCD 15"	<i>page A - 5</i>	<i>page A - 16</i>	<i>page A - 27</i>	<i>page A - 38</i>
Card Reader	<i>page A - 6</i>	<i>page A - 17</i>	<i>page A - 28</i>	<i>page A - 39</i>
CD-ROM	<i>page A - 7</i>	<i>page A - 18</i>	<i>page A - 29</i>	<i>page A - 40</i>
KME CD-RW	<i>page A - 8</i>	<i>page A - 19</i>	<i>page A - 30</i>	<i>page A - 41</i>
Combo	<i>page A - 9</i>	<i>page A - 20</i>	<i>page A - 31</i>	<i>page A - 42</i>
DVD-ROM	<i>page A - 10</i>	<i>page A - 21</i>	<i>page A - 32</i>	<i>page A - 43</i>
Audio DJ	<i>page A - 11</i>	<i>page A - 22</i>	<i>page A - 33</i>	<i>page A - 44</i>
HDD	<i>page A - 12</i>	<i>page A - 23</i>	<i>page A - 34</i>	<i>page A - 45</i>
FDD	<i>page A - 13</i>	<i>page A - 24</i>	<i>page A - 35</i>	<i>page A - 46</i>

Top (D500E)



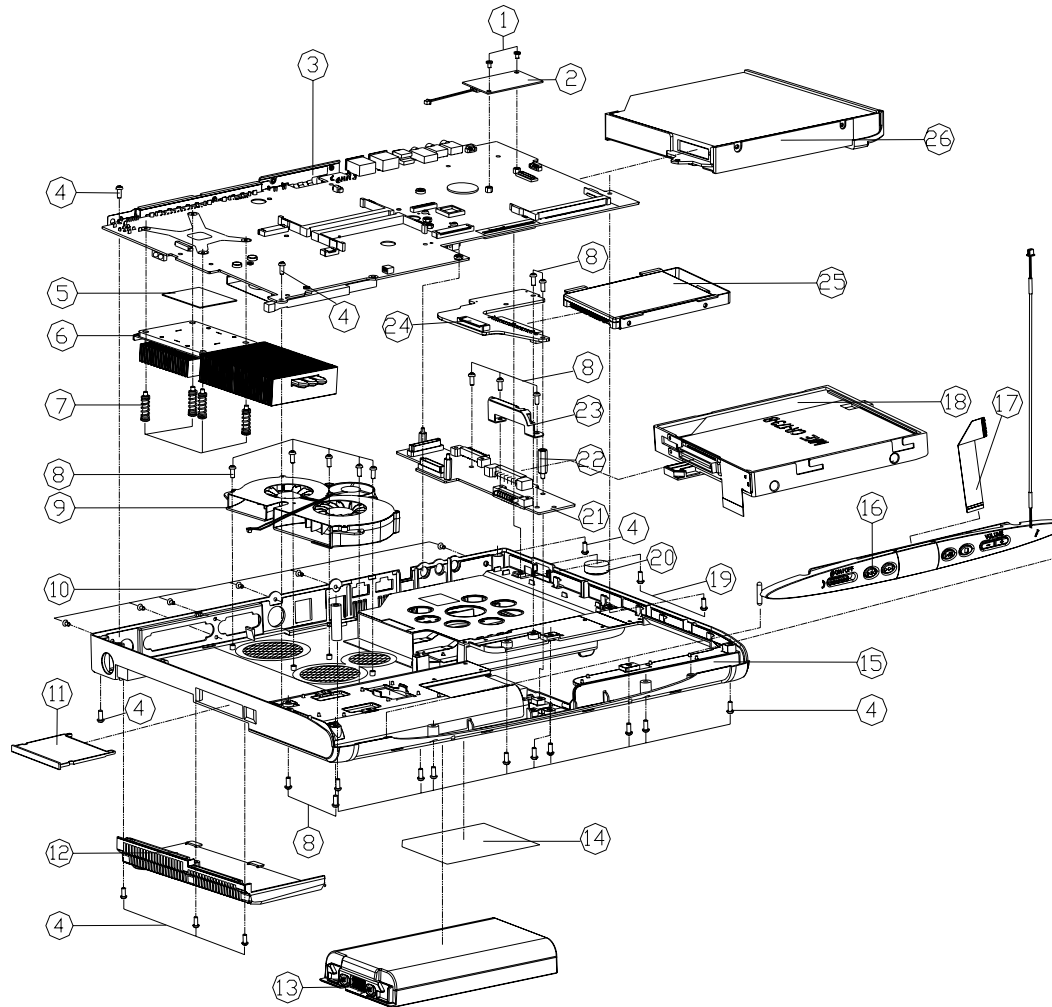
ITEM	PART NAME	PART NO	REMARK
1	KEYBOARD	80-56P08-7G0	
2	SCREW M2.5*6L P BZ ICT NY	35-06125-6RA	
3	SHIELDING FOR KEYBOARD	33-D5007-010	
4	HINGE (RIGHT)	33-56P01-070	
5	FIXED BRACKET FOR CABLE	33-56P03-060	
6	SPEAKER W/CABLE	23-53610-281	
7	SCREW M2*2.5L P NI ICT NY W/WASHER	35-01020-2RE	
8	TOP CASE MODULE	39-D5002-011	
9	M3*0.5P*4L K1 NI ICT NY	35-B1130-4R0	
10	HINGE (LEFT)	33-56P01-080	
11	LED BOARD	77-56P04-D0X	
12	FFC CABLE FOR LED&HOTKEY	43-56P02-020-1	
13	SCREW M2*3L K1 NI ICT NY	35-B1120-3RA	
14	TOUCH PAD SYNAPTICS TM41PDG351-I	49-42002-010	
15	TOUCH PAD BRACKET	33-56P02-050	
16	FFC CABLE FOR TOUCH PAD	43-56P02-010	
17	FFC CABLE FOR CLICK	43-56P03-010-1	
18	CLICK BOARD	77-56002-D0X	
19	PALMREST	42-56P72-030	
20	SCREW M2*4L K1 NI ICT NY	35-B1120-4R0	

Figure A - 1
Top (D500E)

Part Lists

Bottom (D500E)

Figure A - 2
Bottom (D500E)



ITEM	PART NAME	PART NO	REMARK
1	SCREW M2*3L K1 NI ICT NY	35-B1120-3RA	
2	MOB MODER-TELCABLE MODULE (T) M2565-1 VW-12F	76-32200-101	
3	MAIN BOARD	77-D50E0-D03	
4	SCREW M2.5*6L P BZ ICT NY	35-06125-6RA	
5	THERMAL PAD FOR CPU HEATSINK(438*39.37*0.884)	47-56P2N-010	
6	CPU HEATSINK MODULE	31-D500N-100	
7	SCREW M2.5*0.45P*17 01-35 L*17.5 S*2.5 B	35-41025-175	
8	SCREW M2.5*4L K1 BK/D ICT NY	35-B4125-4RA	
9	FAN MODULE D500	31-D500S-100	
10	SCREW M2*4L F NI ICT NY	35-21120-4RA	
11	PCMCIA DUMMY CARD	42-D400P-011	
12	CPU COVER +RUBBER PAD+EMI GASKET	42-D500S-100	
13	BAT. S. LI. 148V, 44AH FOR D500P(RCPSANSUNG)	87-D508S-4C5	Reference Assy. No (99-56P05-163)
13	BAT. S. LI. 148V, 44AH FOR D500P(RCPSANSUNG)	87-D508S-4D5	Reference Assy. No (99-56P05-165)
14	PRODUCT LABEL D500E	45-D50E3-010	
15	BOTTOM CASE MODULE	39-D5003-010	
16	AUDIO DJ ASS'Y	42-56P78-101	Reference Assy. No (99-56P05-109)
17	FFC CABLE FOR AUDIO DJ MODULE	43-56P08-010-1	
18	FDD ASS'Y 5600P	79-56P2J-010	Reference Assy. No (99-56P05-040)
18	CD-RDM ASS'Y 5600P	79-56P2Z-000	Reference Assy. No (99-56P05-160)
18	DVD RDM ASS'Y 5600P	79-56P2V-000	Reference Assy. No (99-56P05-170)
19	SCREW M2.5*7L K1 NI ICT NY	35-B1125-7R0	
20	RUBBER PAD H=7mm (BACK)	47-56P23-020	
21	DC/DC BOARD	77-D500C-D0X	
22	HEX H=16MM M=M2.5 F=M2.5	34-56P03-010	
23	COSMETIC COVER (METAL)	33-56P03-030	
24	HDD CONVERTER BOARD	77-D500N-D0X	
25	W/D HDD ASS'Y 5600P	79-56P21-010	
26	CD-RW ASS'Y 5600P	79-56P2W-000	Reference Assy. No (99-56P05-180)
26	COMBO ASS'Y 5600P	79-56P2X-000	Reference Assy. No (99-56P05-190)

LCD 15" (D500E)

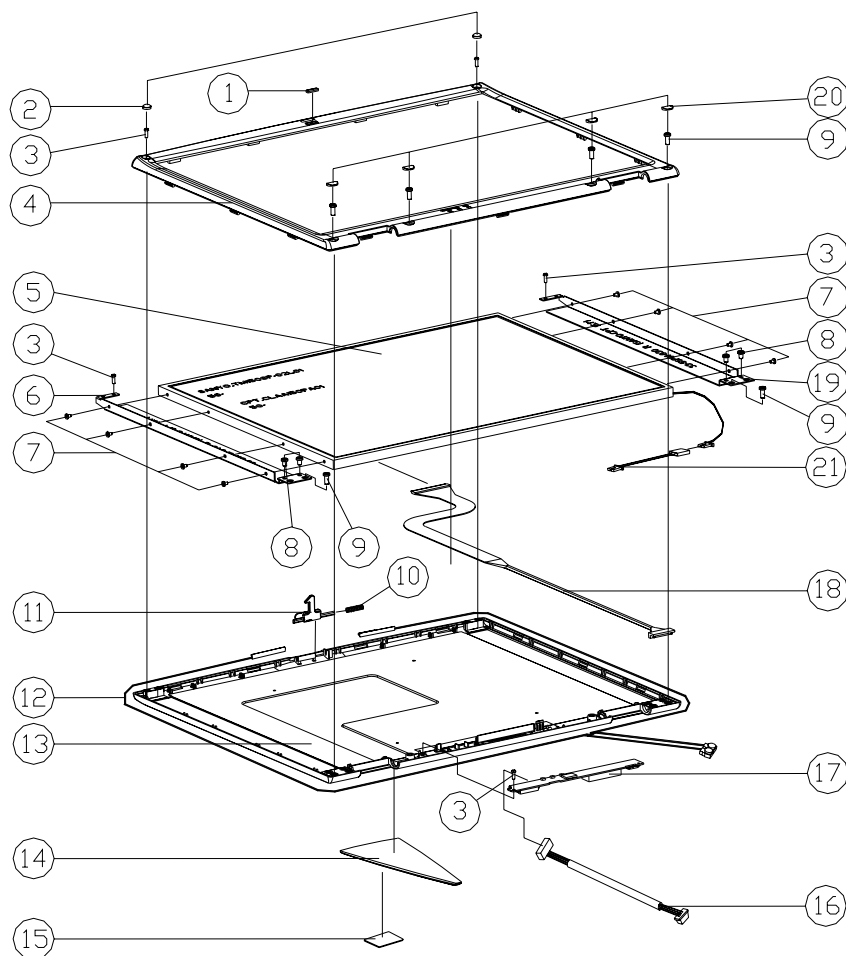


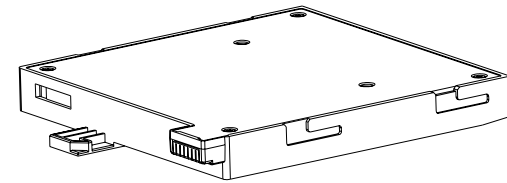
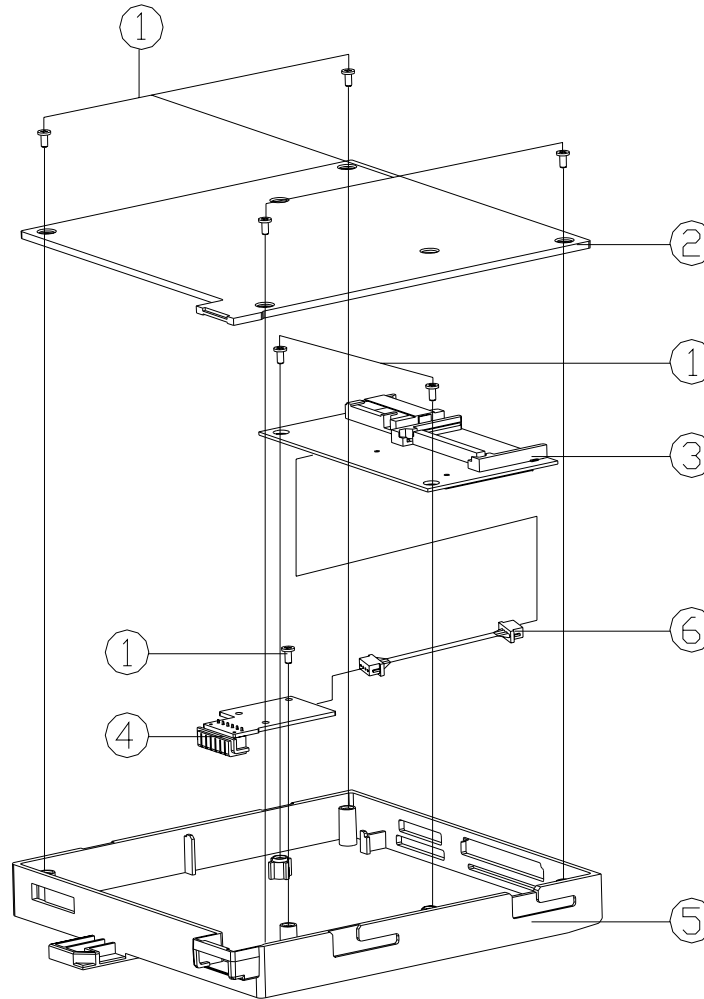
Figure A - 3
LCD 15" (D500E)

ITEM	PART NAME	PART NO	REMARK
1	RUBBER FOR LCD (MIDDLE)	47-56P21-030	
2	RUBBER FOR LCD (TOP)	47-56P32-010	
3	SCREW M2*6L P NI ICT NY	35-01120-6RA	
4	LCD FRONT PANEL MODULE(15.1")	39-56P01-013	
5	LCD T CPT CLAA150PA01 15.0" SXGA+ 7.0MM	50-L5270-C00	
5	LCD T HornStar MS0150PUI5W/IPS) 15" UXGA	50-L4207-N00	
5	LCD T SHARP LO150UILH22Z 15" UXGA	50-L4207-A00	
6	LCD BRACKET (LEFT SANYO-CPT 15.1")	33-56P01-040	
7	SCREW M2*3L K1 NI ICT NY	35-B1120-3RB	
8	SCREW M3*0.5P*4L K1 NI ICT NY	35-B1130-4R0	
9	SCREW M3*0.5*7L K1 NI ICT NY	35-B1130-7R0	
10	SPRING FOR HOOK (Ø3.7*15*0.3g)	38-21P30-011	
11	HOOK KNOB	42-56P81-011	
12	ANTENNA PIFA 2.4 G L=773mm R=600mm 5600P	23-742R4-A20	
13	BACK PANEL MODULE	39-56P01-026	
14	NAMEPLATE BASE	42-56P03-010	
15	NAME PLATE "NOTEBOOK"	45-42001-010	
16	WIRE CABLE FOR INVERTER	43-56P0R-012	
17	INVERTER BOARD	77-D800R-D02	
18	LCD WIRE CABLE FOR CPT	43-56P01-131	
18	LCD COAXIAL CABLE FOR HornStar	43-56P01-170	
18	LCD COAXIAL CABLE FOR LG	43-56P01-080-1	
19	LCD BRACKET(RIGHT SANYO-CPT 15.1")	33-56P01-030	
20	RUBBER FOR LCD (BOTTOM)	47-56P33-010	
21	WIRE CABLE CONVERTER 50MM FOR LG PANEL 5600P	43-56P01-090	FOR LG/1DT PANEL

Part Lists

Card Reader (D500E)

Figure A - 4
Card Reader
(D500E)



ITEM	PART NAME	PART NO	REMARK
1	SCREW M2*4L K1 NI ICT NY	35-B1120-4R0	
2	D500P CARD READER COVER	42-D5003-010	
3	CARD READER MODULE V1.0.FOR D470W	88-D47E0-430	
4	CARD READER V1.0 D500P	77-D500V-D0X	
5	D500P CARD READER CASE+RUBBER PAD	42-D5003-100	
6	CABLE 8 PIN FOR CARD READER D500P	43-D500E-010	

SAMSUNG CD-ROM Drive (D500E)

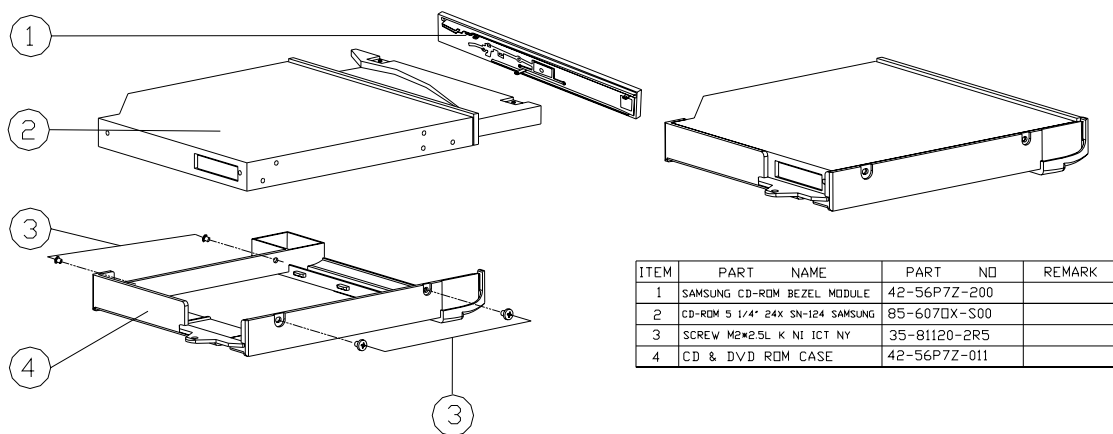
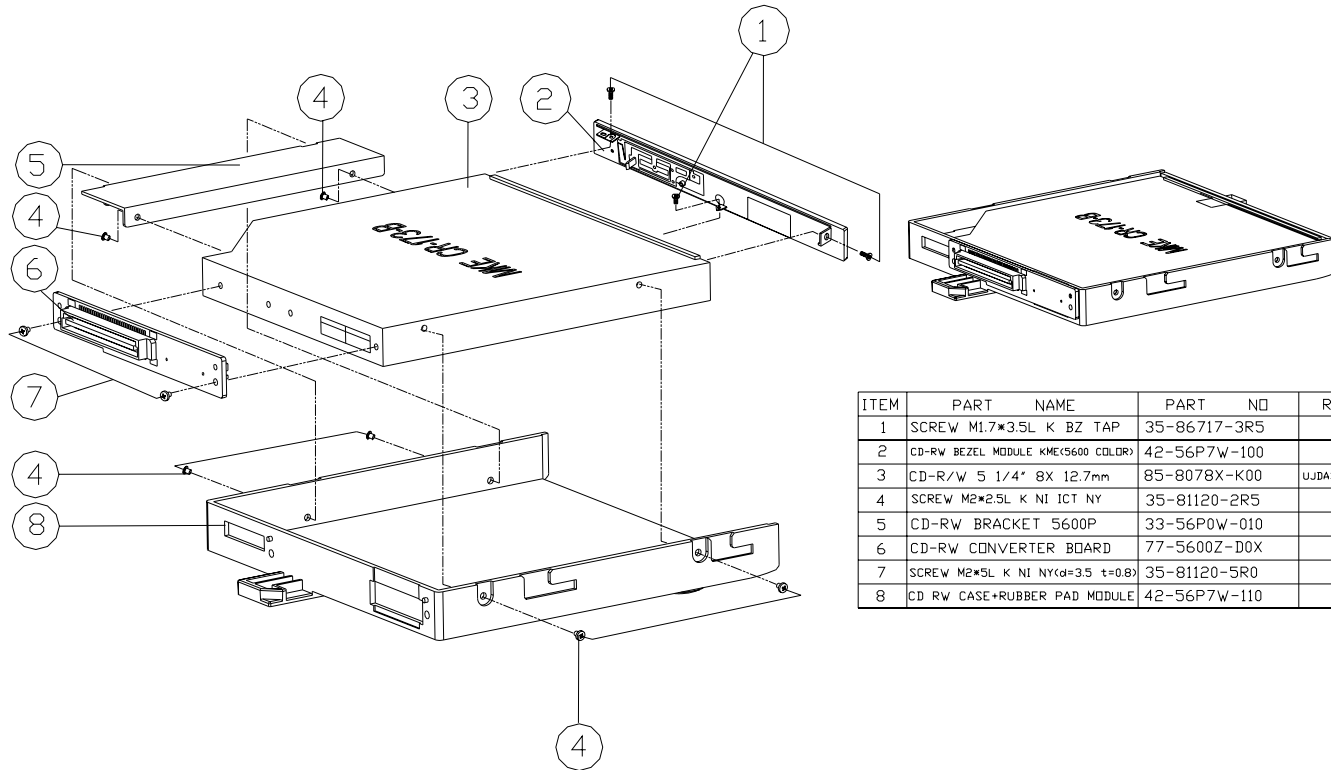


Figure A - 5
CD-ROM TEAC
(D500E)

ITEM	PART NAME	PART NO	REMARK
1	SAMSUNG CD-ROM BEZEL MODULE	42-56P7Z-200	
2	CD-ROM 5 1/4" 24X SN-124 SAMSUNG	85-6070X-S00	
3	SCREW M2*2.5L K NI ICT NY	35-81120-2R5	
4	CD & DVD ROM CASE	42-56P7Z-011	

KME CD-RW Drive (D500E)

Figure A - 6
CD-RW KME
(D500E)



ITEM	PART NAME	PART NO	REMARK
1	SCREW M1.7*3.5L K BZ TAP	35-86717-3R5	
2	CD-RW BEZEL MODULE KME<5600 COLOR>	42-56P7W-100	
3	CD-R/W 5 1/4" 8X 12.7mm	85-8078X-K00	UJDA330CL-Z KME
4	SCREW M2*2.5L K NI ICT NY	35-81120-2R5	
5	CD-RW BRACKET 5600P	33-56P0W-010	
6	CD-RW CONVERTER BOARD	77-5600Z-D0X	
7	SCREW M2*5L K NI NY<d=3.5 t=0.8>	35-81120-5R0	
8	CD RW CASE+RUBBER PAD MODULE	42-56P7W-110	

Combo Drive (D500E)

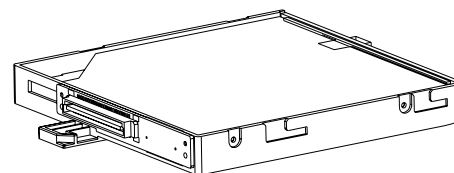
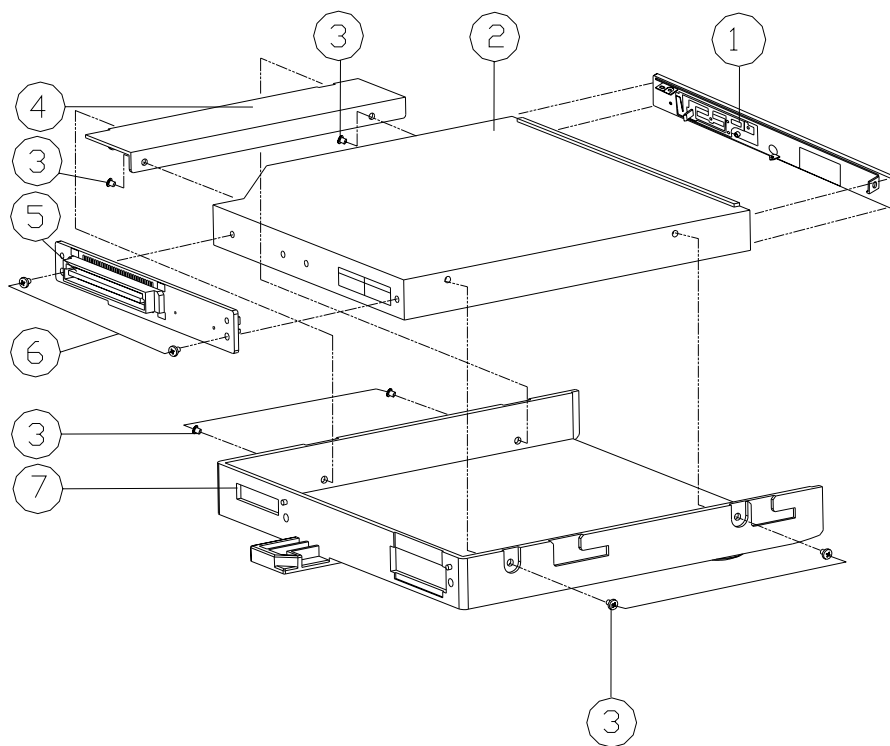


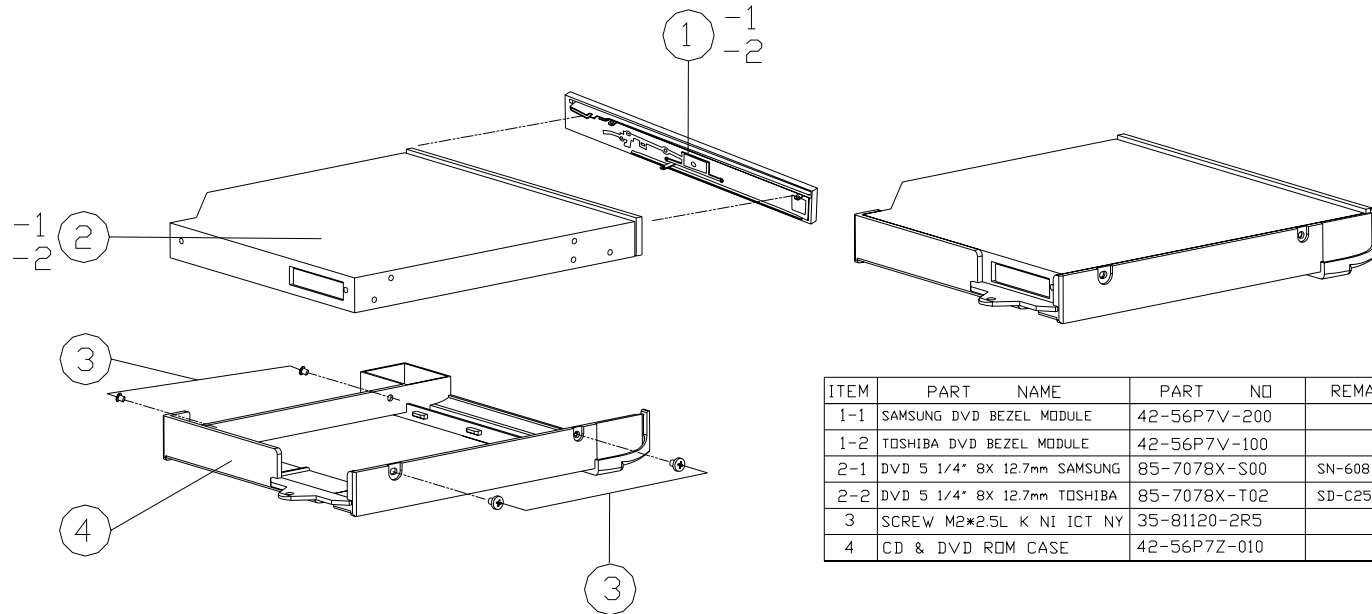
Figure A - 7
Combo (D500E)

ITEM	PART NAME	PART NO	REMARK
1	SAMSUNG COMBO BEZEL MODULE	42-56P7X-100	
2	CD-RW/DVD 5 1/4" 8X 12.7mm	85-9078X-S00	SN-308B SAMSUNG
3	SCREW M2*2.5L K NI ICT NY	35-81120-2R5	
4	CD-RW BRACKET 5600P	33-56P0W-010	
5	CD-RW CONVERTER BOARD	77-5600Z-D0X	
6	SCREW M2*5L K NI NY(d=3.5 t=0.8)	35-81120-5R0	
7	CD RW CASE+RUBBER PAD MODULE	42-56P7W-110	

Part Lists

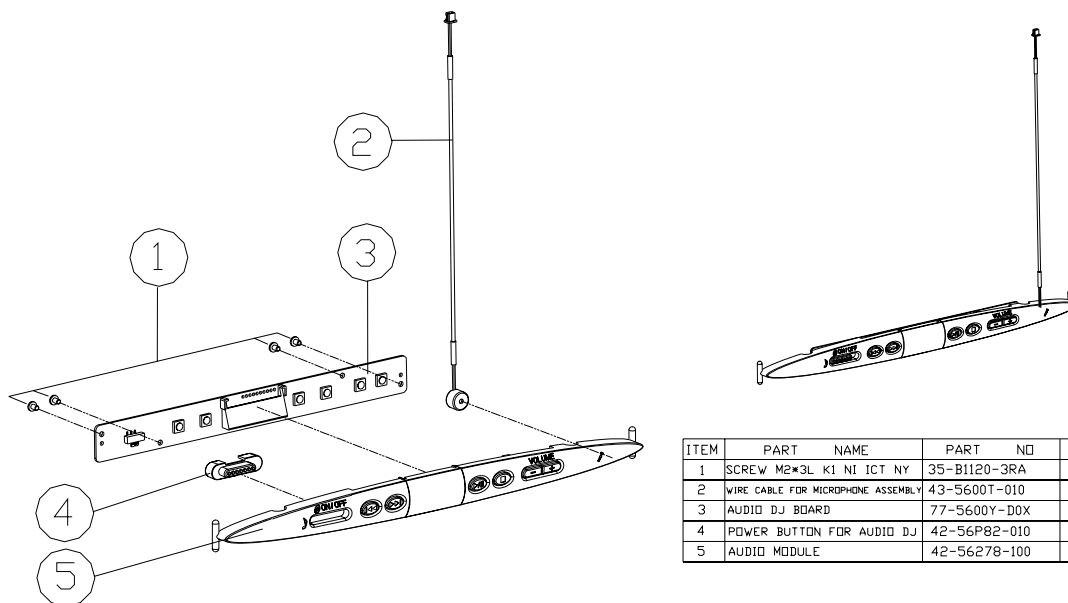
DVD-ROM Drive (D500E)

Figure A - 8
DVD-ROM Drive
(D500E)



ITEM	PART NAME	PART NO	REMARK
1-1	SAMSUNG DVD BEZEL MODULE	42-56P7V-200	
1-2	TOSHIBA DVD BEZEL MODULE	42-56P7V-100	
2-1	DVD 5 1/4" 8X 12.7mm SAMSUNG	85-7078X-S00	SN-608
2-2	DVD 5 1/4" 8X 12.7mm TOSHIBA	85-7078X-T02	SD-C2502
3	SCREW M2*2.5L K NI ICT NY	35-81120-2R5	
4	CD & DVD ROM CASE	42-56P7Z-010	

Audio DJ (D500E)

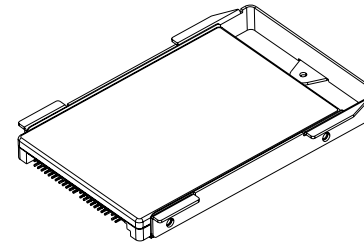
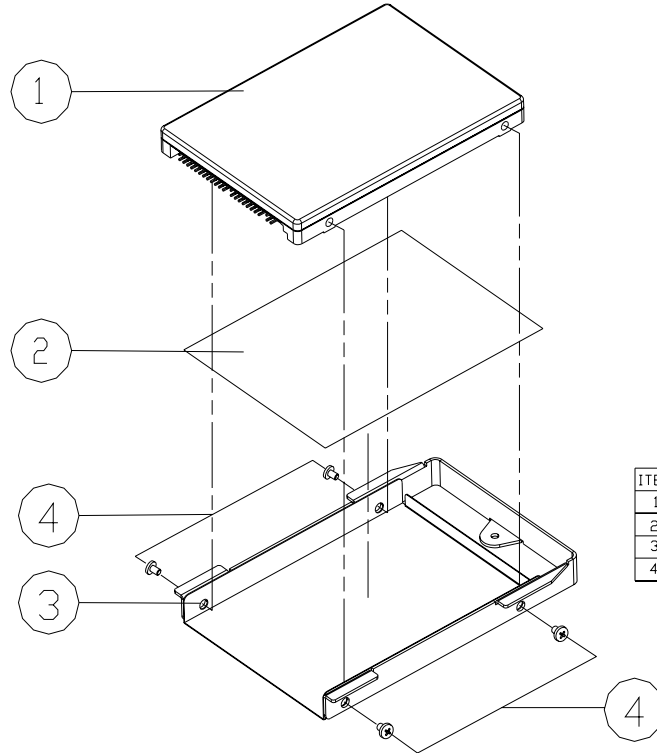


ITEM	PART NAME	PART NO	REMARK
1	SCREW M2*3L K1 NI ICT NY	35-B1120-3RA	
2	WIRE CABLE FOR MICROPHONE ASSEMBLY	43-5600T-010	
3	AUDIO DJ BOARD	77-5600Y-D0X	
4	POWER BUTTDN FOR AUDIO DJ	42-56P82-010	
5	AUDIO MODULE	42-56278-100	

Figure A - 9
Audio DJ (D500E)

HDD (D500E)

Figure A - 10
HDD (D500E)



ITEM	PART NAME	PART NO	REMARK
1	HITACHI-HDD-95	85-11700-Y01	YD-702J-6637J
2	HDD MYLAR	40-62051-010	
3	HDD CASE MODULE	33-56071-100	
4	SCREW M3*4L K1 BZ ICT NY	35-B6130-4RA	

Floppy Disk Drive (D500E)

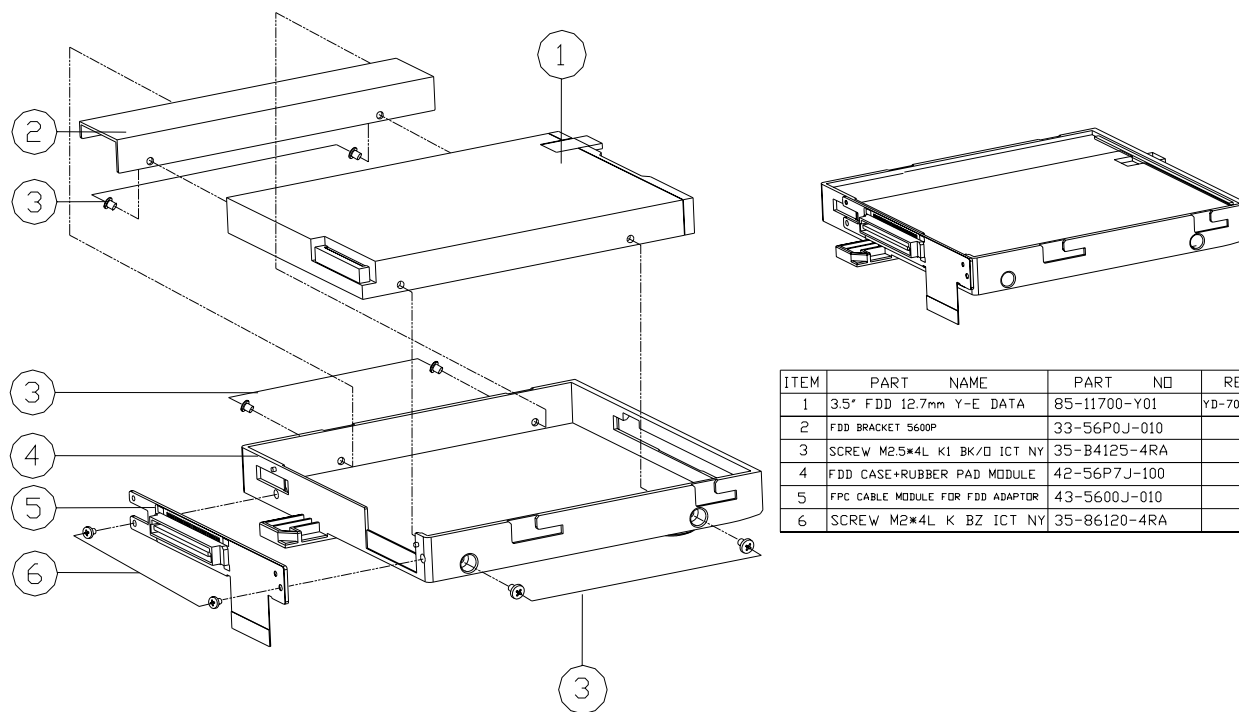


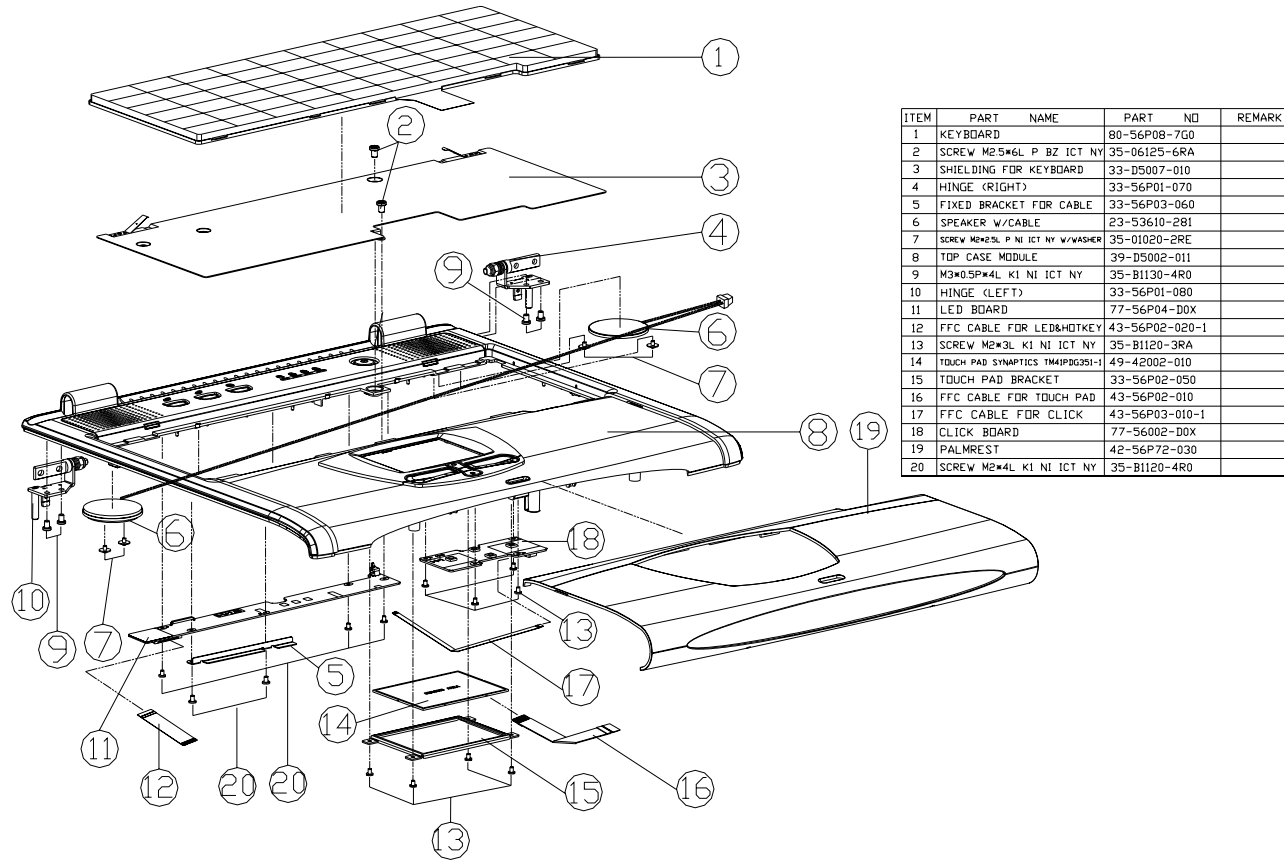
Figure A - 11
Floppy Disk Drive
(D500E)

ITEM	PART NAME	PART NO	REMARK
1	3.5" FDD 12.7mm Y-E DATA	85-11700-Y01	YD-702J-6637J
2	FDD BRACKET 5600P	33-56P0J-010	
3	SCREW M2.5*4L K1 BK/D ICT NY	35-B4125-4RA	
4	FDD CASE+RUBBER PAD MODULE	42-56P7J-100	
5	FPC CABLE MODULE FOR FDD ADAPTOR	43-5600J-010	
6	SCREW M2*4L K BZ ICT NY	35-86120-4RA	

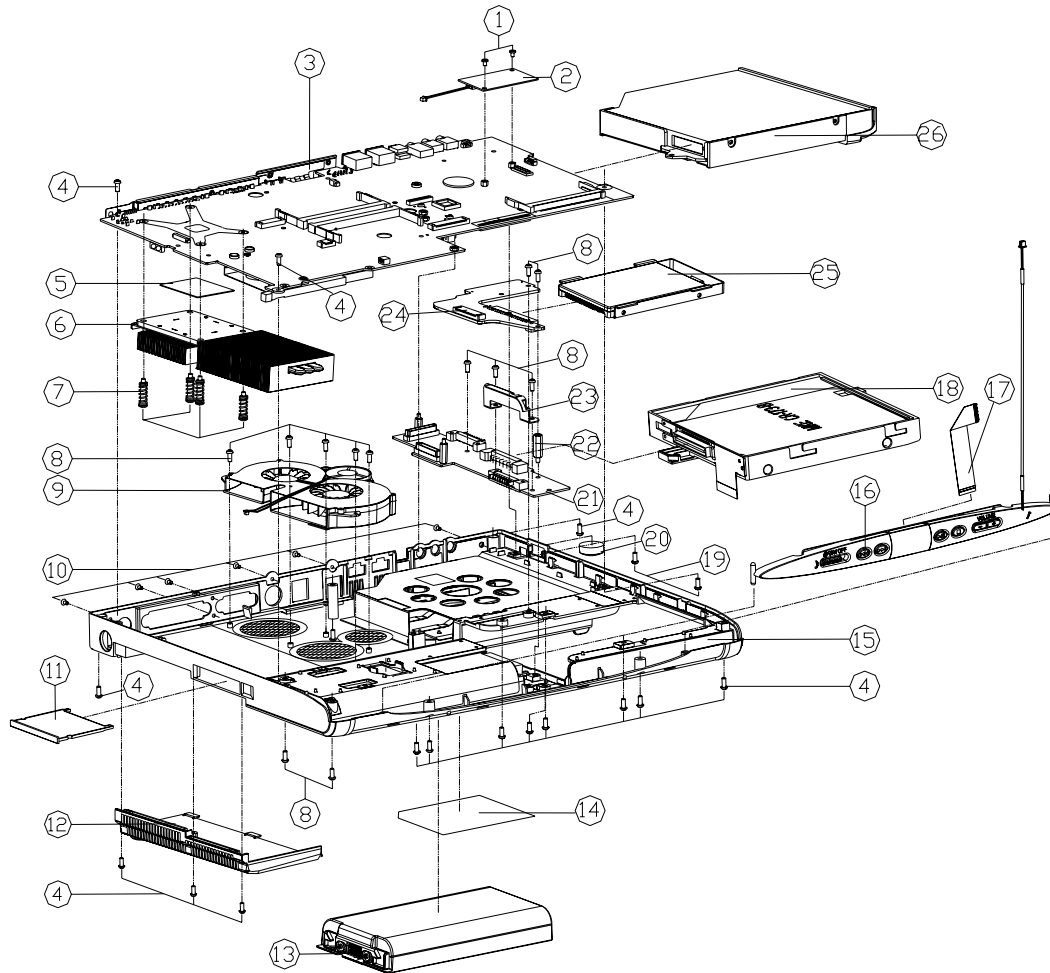
Part Lists

Top (D510E)

Figure A - 12
Top (D510E)



Bottom (D510E)



ITEM	PART NAME	PART NO	REMARK
1	SCREW M2*3L KI NI ICT NY	35-B1120-3RA	
2	MDC MODEM+TEL.CABLE MODULE	76-32200-101	
3	MAIN BOARD	77-D50E0-DOX	
4	SCREW M2.5*6L P BZ ICT NY	35-06125-6RA	
5	THERM PAD FOR CPU HEATSPREADER	47-56P2N-010	
6	CPU HEATSINK MODULE	33-D500N-100	
7	SCREW M2.5*4.5P#17 #6-35 L#17.5 S#2.5 #	35-41025-175	
8	SCREW M2.5*4L KI BK/D ICT NY	35-B4125-4RA	
9	FAN MODULE D500	31-D500S-100	
10	SCREW M2*4L F NI ICT NY	35-21120-4RA	
11	PCMCIA DUMMY CARD	42-D510P-010	
12	CPU COVER -RUBBER PAD-EMI GASKET	42-D510S-100	
13	BATTERY S LI 40AH FOR SMP/SAMUNG	87-5628S-4D3	Reference Assy Bsp (99-56200-060)
13	BATTERY S LI 4AH FOR GLW/LG	87-5628S-4E3	Reference Assy Bsp (99-56200-060)
13	BATTERY S LI 3.4AH FOR SMP/PANASONIC	87-5628S-4C1	Reference Assy Bsp (99-56200-063)
14	PRODUCT LABEL D510E	45-D51E3-010	
15	BOTTOM CASE MODULE	39-D5103-011	
16	AUDIO DJ ASS'Y	42-56P78-101	Reference Assy Bsp (99-56200-100)
17	FFC CABLE FOR AUDIO DJ MODULE	43-56P08-010-1	
18	FDD ASS'Y 5620P	79-5622J-010	Reference Assy Bsp (99-56200-090)
18	CD-ROM ASS'Y 5620P	79-5622Z-000	Reference Assy Bsp (99-56200-091)
18	DVD ROM ASS'Y 5620P	79-5622V-000	Reference Assy Bsp (99-56200-092)
18	CARD READER ASS'Y D510P	79-D510R-010	Reference Assy Bsp (99-56200-093)
19	SCREW M2.5*7L KI NI ICT NY	35-B1125-7R0	
20	RUBBER PAD H=7mm (BACK)	47-56223-020	
21	DC/DC BOARD	77-D500C-DOX	
22	HEX H=16MM M=M2.5 F=M2.5	34-56P03-010	
23	COSMETIC COVER (METAL)	33-56P03-030	
24	HDD CONVERTER BOARD	77-D500N-DOX	
25	W/D HDD ASS'Y 5600P	79-56P21-010	Reference Assy Bsp (99-56200-094)
25	W/D SECONDD HDD ASS'Y 5620P	79-56221-020	Reference Assy Bsp (99-56200-095)
26	CD-RW ASS'Y 5620P	79-5622W-000	Reference Assy Bsp (99-56200-096)
26	COMBO ASS'Y 5620P	79-5622X-000	Reference Assy Bsp (99-56200-097)

Figure A - 13
Bottom (D510E)

Part Lists

LCD 15" (D510E)

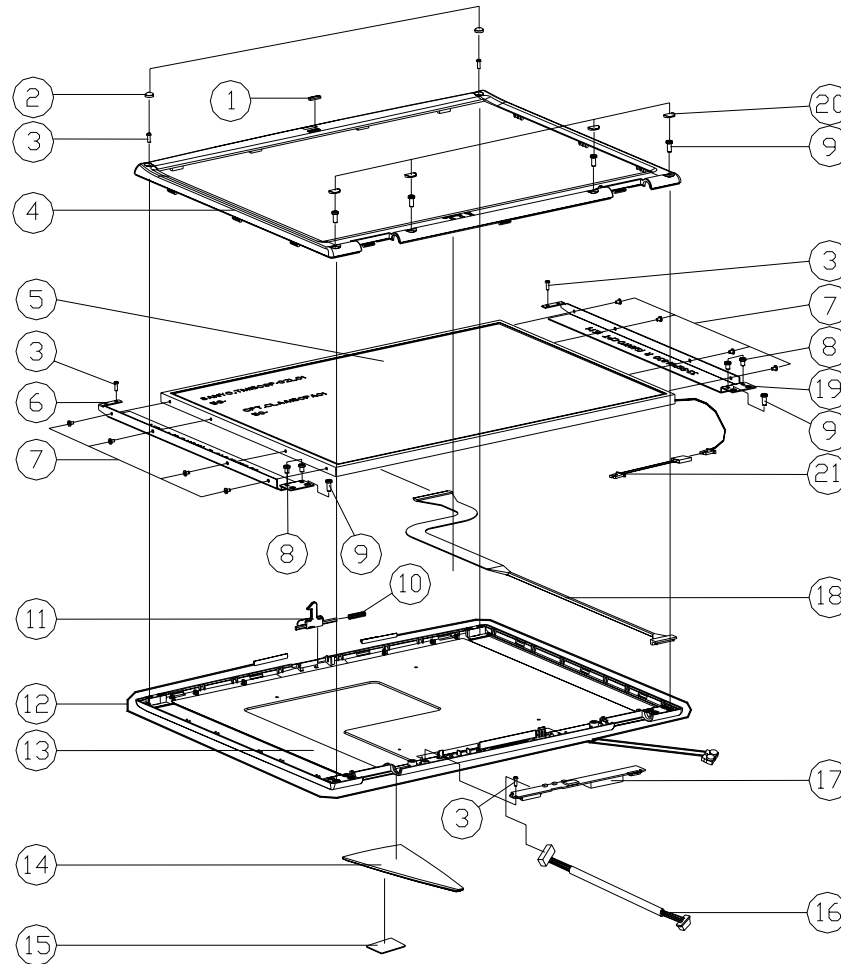


Figure A - 14
LCD 15" (D510E)

ITEM	PART NAME	PART NO	REMARK
1	RUBBER FOR LCD (MIDDLE)	47-56P21-030	
2	RUBBER FOR LCD (TOP)	47-56P32-010	
3	SCREW M2*6L P NI ICT NY	35-01120-6RA	
4	LCD FRONT PANEL MODULE(15.1")	39-56201-013	
5	LCD T CPT CLAA150PA01 15.0" SXGA+ 7.0MM	50-L5270-C00	
5	LCD 15.0 IBM TFT DEM95C-02 SXGA+ 4.1mm	50-L3241-E00	
5	LCD T 1DT(1BM) ITUX97 15" UXGA	50-L4207-E00	
5	LCD T LG LP150U1-A2 15" UXGA	50-L4207-L00	
5	LCD 15.0" SXGA TFT 1DT 1A015N 2048*1536 7.2mm(566P)	50-L6272-E01	
6	LCD BRACKET (LEFT SANYO-CPT 15.1")	33-56P01-040	
7	SCREW M2*3L K1 NI ICT NY	35-B1120-3RB	
8	SCREW M3*0.5P*4L K1 NI ICT NY	35-B1130-4R0	
9	SCREW M3*0.5*7L K1 NI ICT NY	35-B1130-7R0	
10	SPRING FOR HOOK (ø3.7*15*0.3ø)	38-21P30-011	
11	HOOK KNOB	42-56P81-011	
11	HOOK KNOB	42-58P81-011	FOR LG
12	2.4GHZ DIPOLE ANTENNA OD132MM L*RIGHT*LEFT	23-712R4-002	
13	BACK PANEL MODULE	39-56201-024	
14	NAMEPLATE BASE	42-56P03-010	
15	NAME PLATE "NOTEBOOK"	45-42001-010	
16	WIRE CABLE FOR INVERTER	43-56P0R-012	
17	INVERTER BOARD	77-D800R-D02	
18	LCD WIRE CABLE FOR CPT	43-56P01-131	
18	LCD CDAXIAL CABLE FOR IBM	43-56P01-142-1	
18	LCD CDAXIAL CABLE FOR IBM	43-56P01-160	
18	LCD CDAXIAL CABLE FOR LG	43-56P01-080	
18	LCD CDAXIAL CABLE FOR IBM	43-56P01-070	
19	LCD BRACKET(RIGHT SANYO-CPT 15.1")	33-56P01-030	
20	RUBBER FOR LCD (BOTTOM)	47-56P33-010	
21	WIRE CABLE CONVERTER 50MM FOR LG PANEL 560P	43-56P01-090	FOR LG/1DT PANEL

Card Reader (D510E)

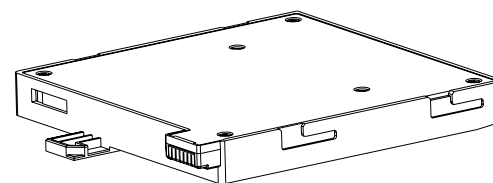
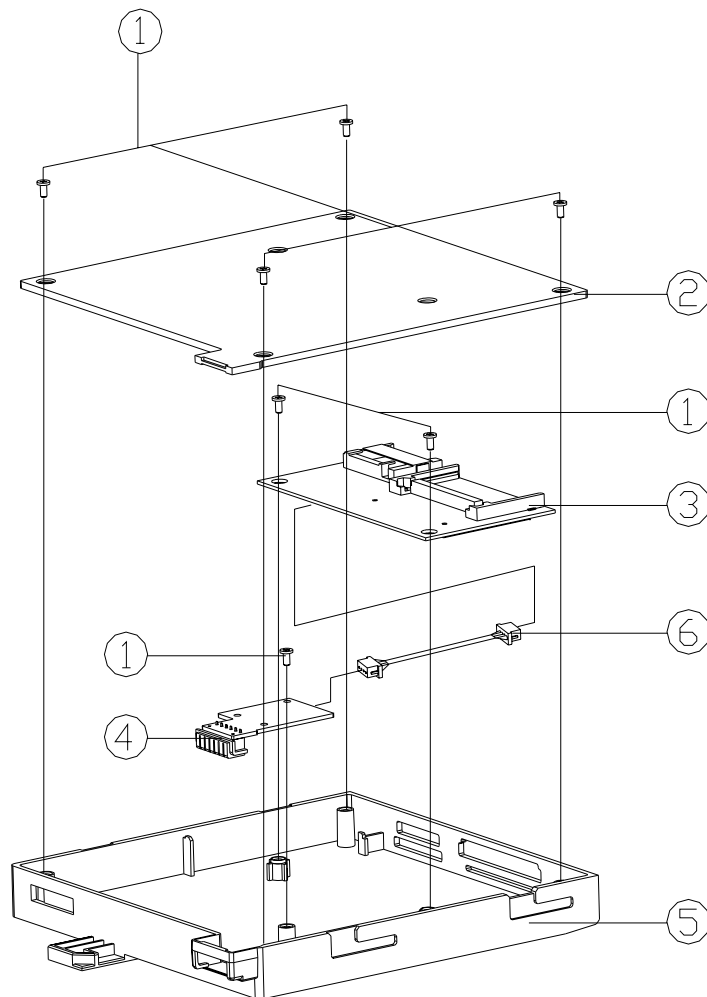
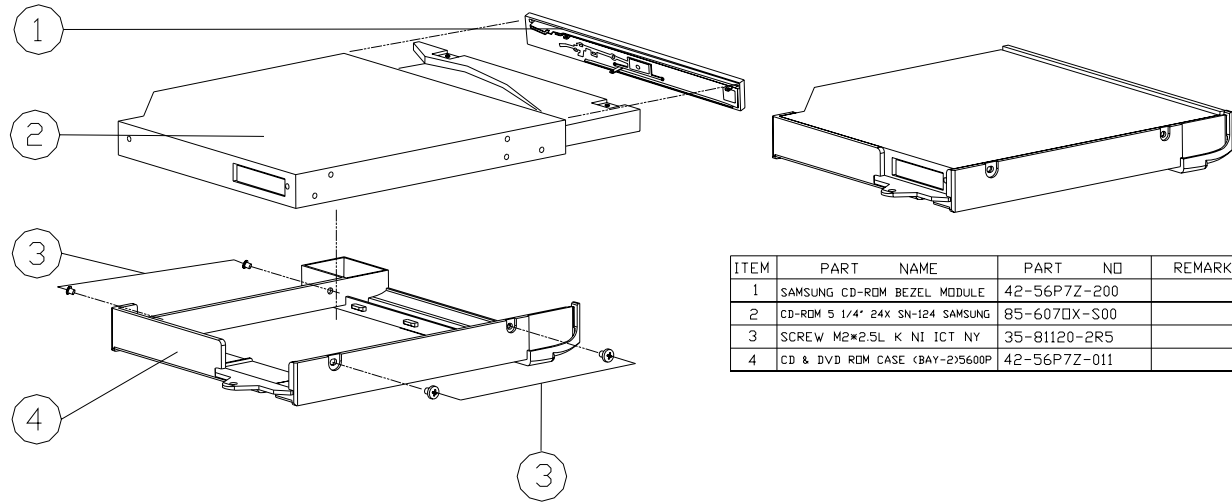


Figure A - 15
Card Reader
(D510E)

ITEM	PART NAME	PART NO	REMARK
1	SCREW M2*4L K1 NI ICT NY	35-B1120-4R0	
2	D500P CARD READER COVER	42-D5003-010	
3	CARD READER MODULE V1.0.FOR D470W	88-D50E0-430	
4	CARD READER V1.0 D500P	77-D500V-D0X	
5	D510P CARD READER CASE+RUBBER PAD	42-D5103-101	
6	CABLE 8 PIN FOR CARD READER D500P	43-D500E-010	

SAMSUNG CD-ROM Drive (D510E)

Figure A - 16
TEAC CD-ROM
Drive
(D510E)



KME CD-RW Drive (D510E)

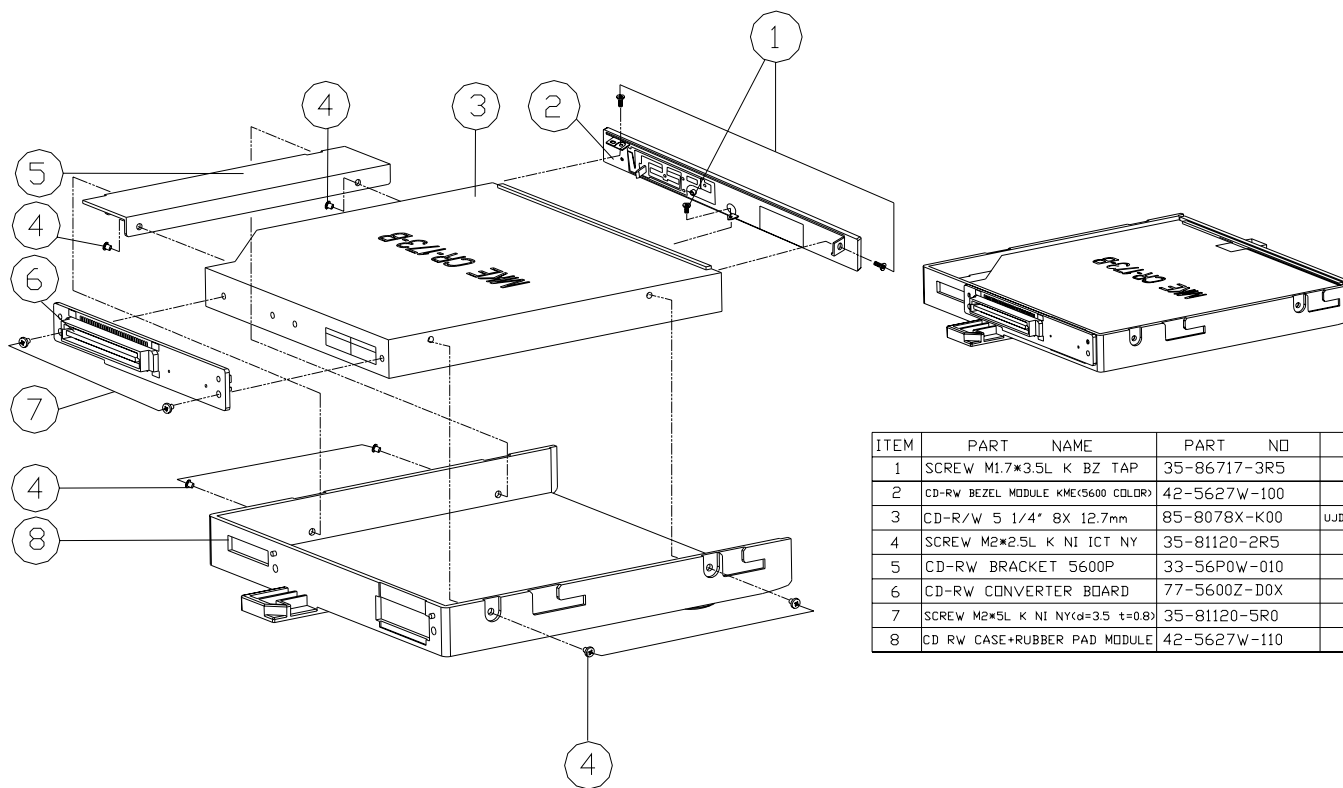


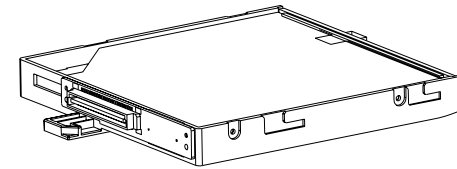
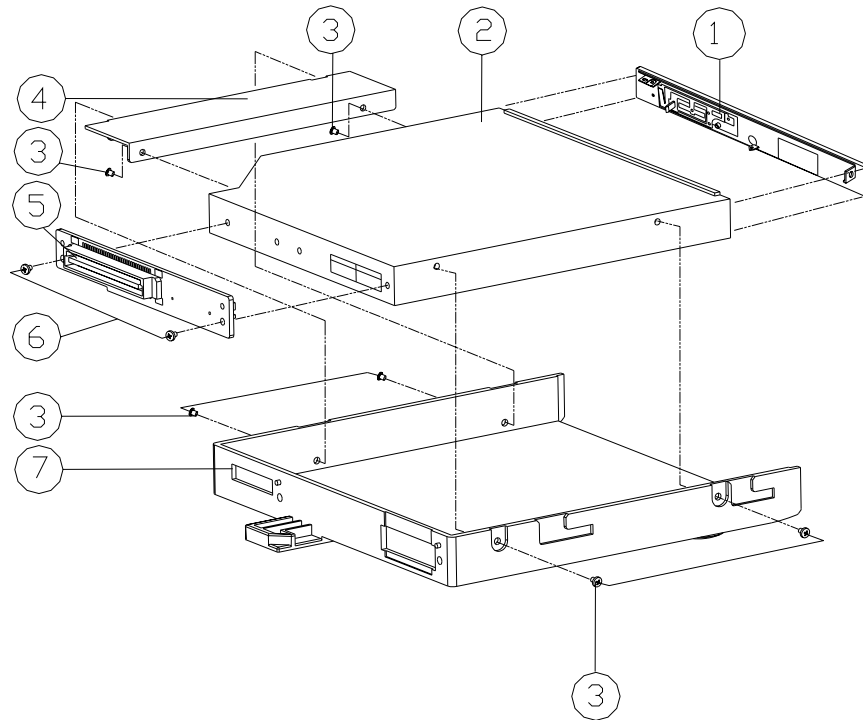
Figure A - 17
KME CD-RW Drive
(D510E)

ITEM	PART NAME	PART NO	REMARK
1	SCREW M1.7*3.5L K BZ TAP	35-86717-3R5	
2	CD-RW BEZEL MODULE KME(5600 COLOR)	42-5627W-100	
3	CD-R/W 5 1/4' 8X 12.7mm	85-8078X-K00	UJDA330CL-Z KME
4	SCREW M2*2.5L K NI ICT NY	35-81120-2R5	
5	CD-RW BRACKET 5600P	33-56P0W-010	
6	CD-RW CONVERTER BOARD	77-5600Z-D0X	
7	SCREW M2*5L K NI NY(d=3.5 t=0.8)	35-81120-5R0	
8	CD RW CASE+RUBBER PAD MODULE	42-5627W-110	

Part Lists

Combo Drive (D510E)

Figure A - 18
Combo Drive
(D510E)



ITEM	PART NAME	PART NO	REMARK
1	SAMSUNG COMBO BEZEL MODULE	42-5620X-100	
2	CD-RW/DVD 5 1/4" 8X 12.7mm	85-9078X-S00	SN-308B SAMSUNG
3	SCREW M2*2.5L K NI ICT NY	35-81120-2R5	
4	CD-RW BRACKET 5600P	33-56P0W-010	
5	CD-RW CONVERTER BOARD	77-5600Z-D0X	
6	SCREW M2*5L K NI NY(d=3.5 t=0.8)	35-81120-5R0	
7	CD RW CASE+RUBBER PAD MODULE	42-5627W-110	

DVD-ROM Drive (D510E)

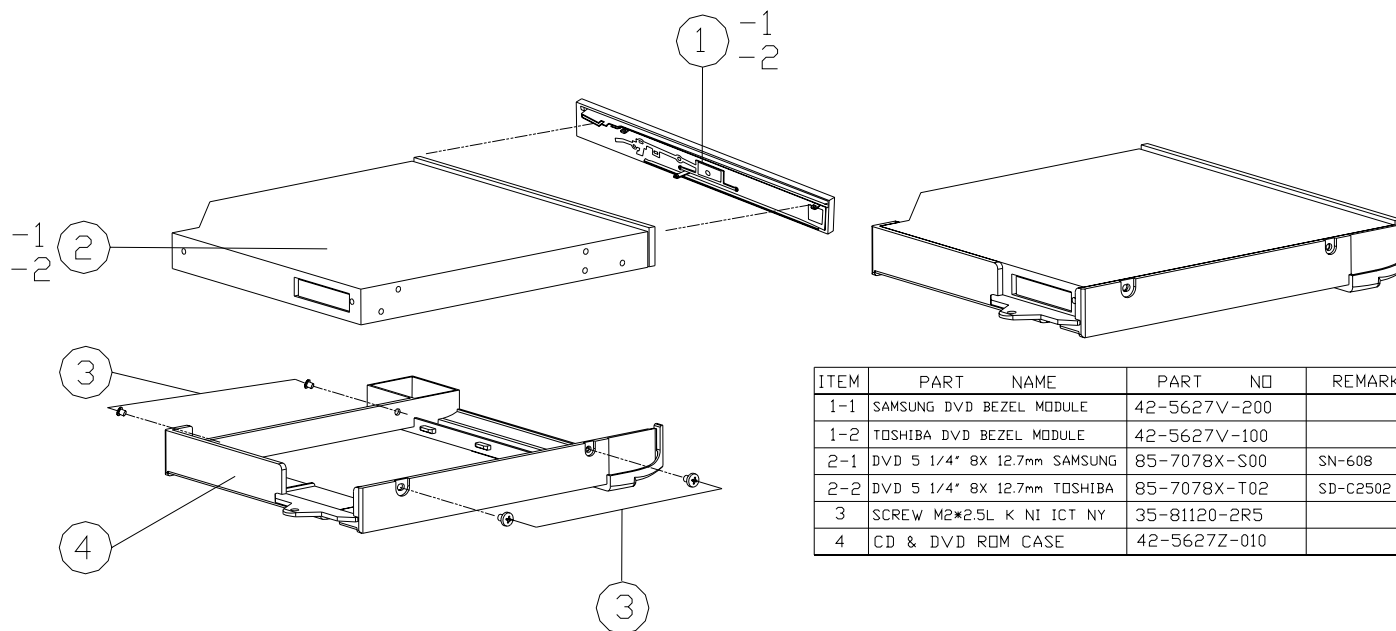


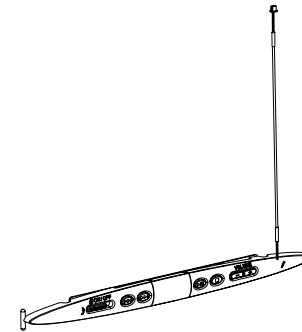
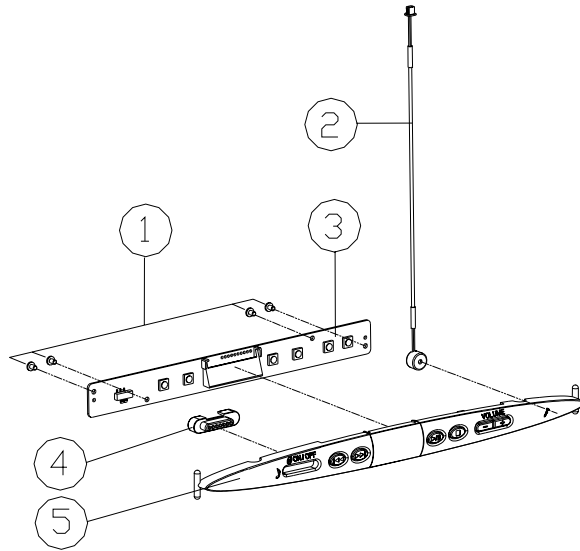
Figure A - 19
DVD-ROM Drive
(D510E)

ITEM	PART NAME	PART NO	REMARK
1-1	SAMSUNG DVD BEZEL MODULE	42-5627V-200	
1-2	TOSHIBA DVD BEZEL MODULE	42-5627V-100	
2-1	DVD 5 1/4" 8X 12.7mm SAMSUNG	85-7078X-S00	SN-608
2-2	DVD 5 1/4" 8X 12.7mm TOSHIBA	85-7078X-T02	SD-C2502
3	SCREW M2x2.5L K NI ICT NY	35-81120-2R5	
4	CD & DVD ROM CASE	42-5627Z-010	

Part Lists

Audio DJ (D510E)

Figure A - 20
Audio DJ (D510E)



ITEM	PART	NAME	PART NO	REMARK
1	SCREW	M2*3L K1 NI ICT NY	35-B1120-3RA	
2	WIRE CABLE	FOR MICROPHONE ASSEMBLY	43-5600T-010	
3	AUDIO DJ BOARD		77-5600Y-DOX	
4	POWER BUTTON	FOR AUDIO DJ	42-56P82-010	
5	AUDIO MODULE		42-56278-100	

HDD (D510E)

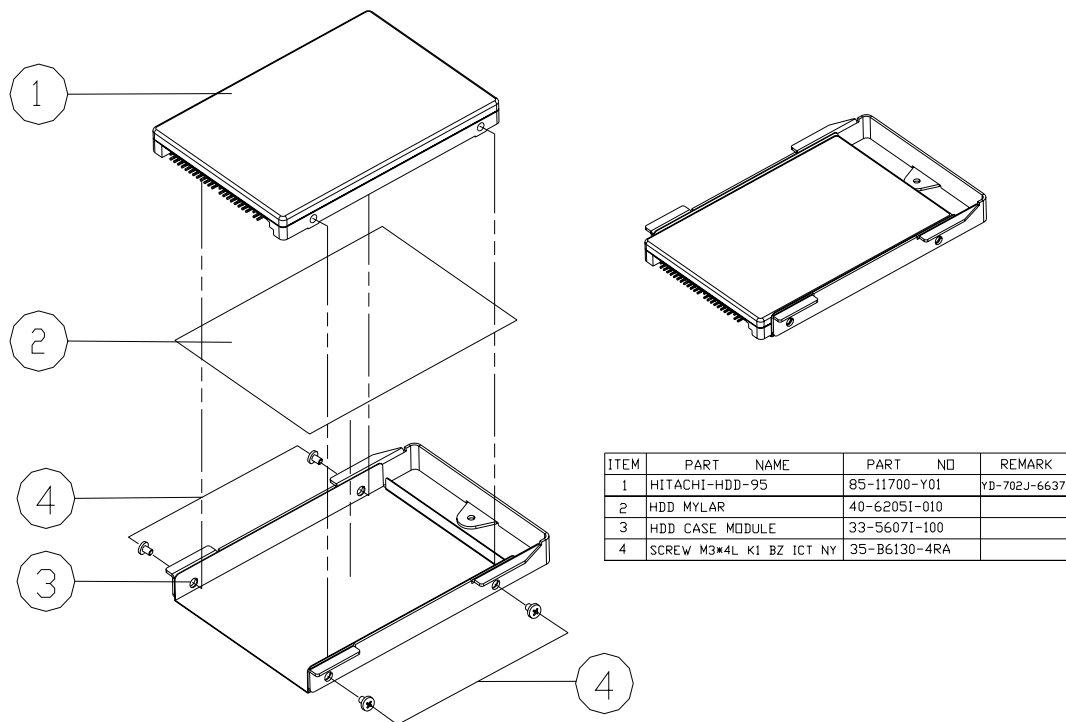


Figure A - 21
HDD (D510E)

Part Lists

Floppy Disk Drive (D510E)

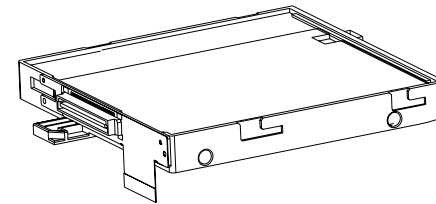
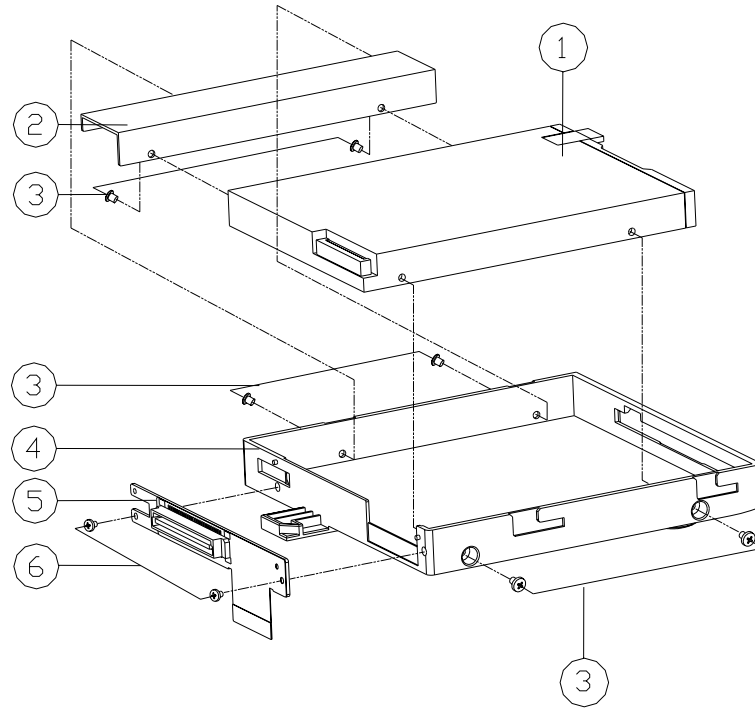
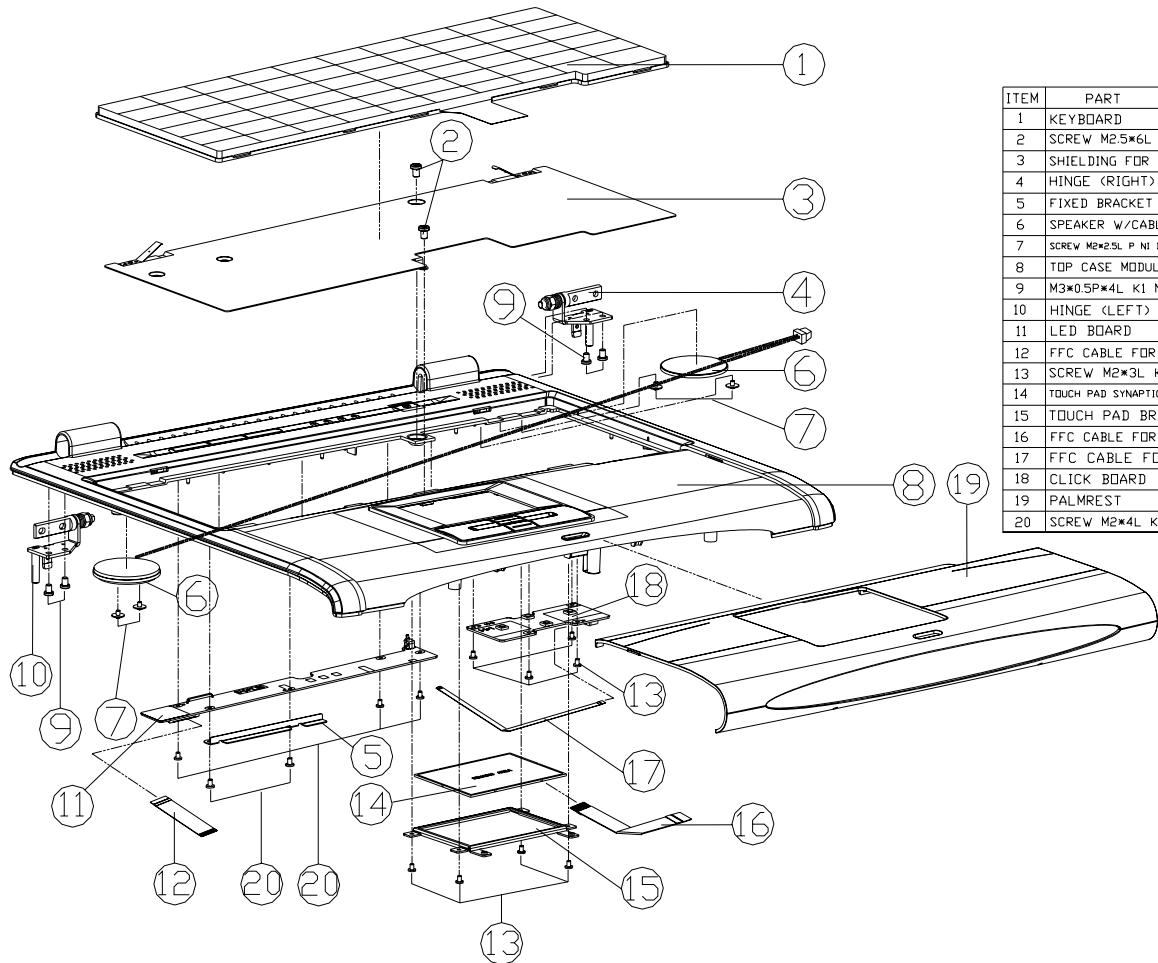


Figure A - 22
Floppy Disk Drive
(D510E)

ITEM	PART NAME	PART NO	REMARK
1	3.5" FDD 12.7mm Y-E DATA	85-11700-Y01	YD-702J-6637J
2	FDD BRACKET 5600P	33-56P0J-010	
3	SCREW M2.5*4L K1 BK/D ICT NY	35-B4125-4RA	
4	FDD CASE+RUBBER PAD MODULE	42-5627J-100	
5	FPC CABLE MODULE FOR FDD ADAPTOR	43-5600J-010	
6	SCREW M2*4L K1 NI ICT NY	35-B1120-4RA	

Top (D520E)



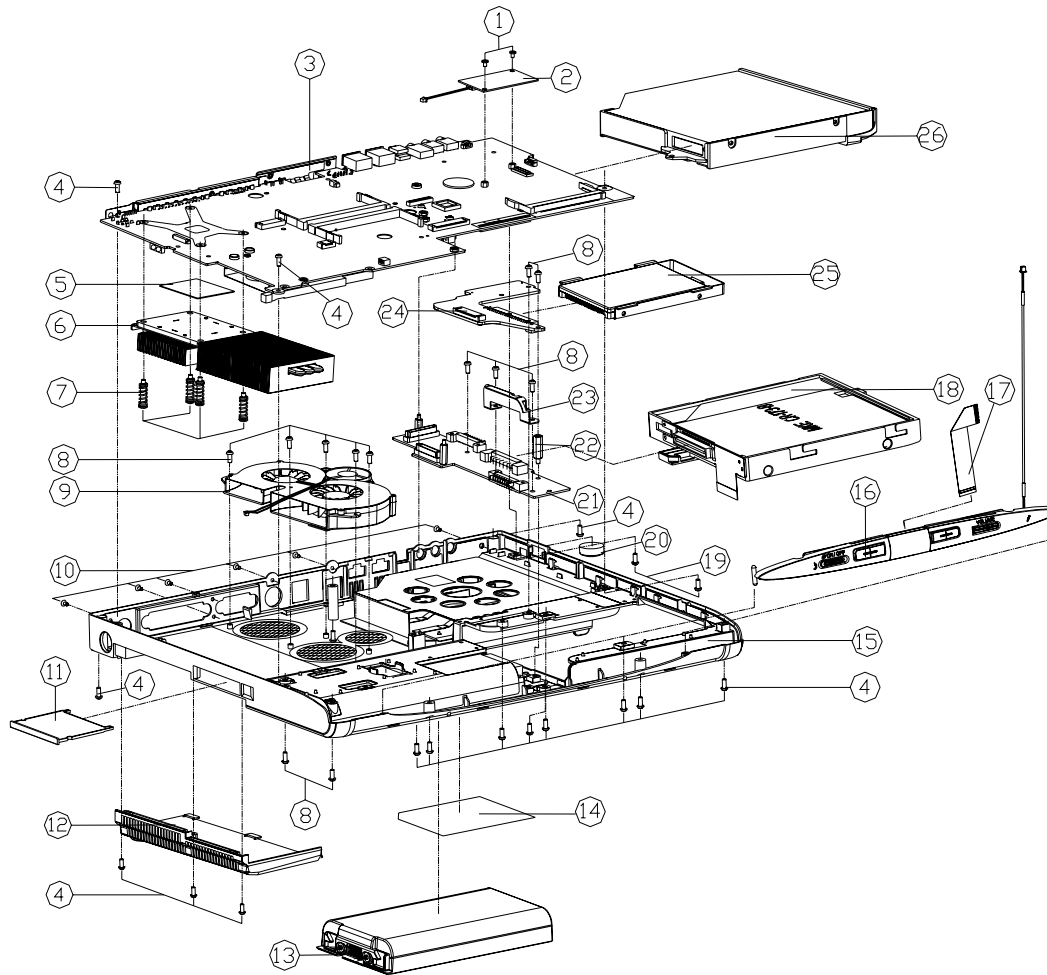
ITEM	PART NAME	PART NO	REMARK
1	KEYBOARD	80-56P08-7G0	
2	SCREW M2.5*6L P BZ ICT NY	35-06125-6RA	
3	SHIELDING FOR KEYBOARD	33-56P07-010	
4	HINGE (RIGHT)	33-56P01-070	
5	FIXED BRACKET FOR CABLE	33-56P03-060	
6	SPEAKER W/CABLE	23-53610-281	
7	SCREW M2*2.5L P NI ICT NY W/WASHER	35-01020-2RE	
8	TOP CASE MODULE	39-D5202-011	
9	M3*0.5P*4L K1 NI ICT NY	35-B1130-4R0	
10	HINGE (LEFT)	33-56P01-080	
11	LED BOARD	77-D5004-D01	
12	FFC CABLE FOR LED&HOTKEY	43-56P02-020-1	
13	SCREW M2*3L K1 NI ICT NY	35-B1120-3RA	
14	TOUCH PAD SYNAPTICS TM41PDG351-1	49-42002-010	
15	TOUCH PAD BRACKET	33-58P02-050	
16	FFC CABLE FOR TOUCH PAD	43-56P02-010	
17	FFC CABLE FOR CLICK	43-56P03-010-1	
18	CLICK BOARD	77-58002-D01	
19	PALMREST	42-58P72-030	
20	SCREW M2*4L K1 NI ICT NY	35-B1120-4R0	

Figure A - 23
Top (D520E)

Part Lists

Bottom (D520E)

Figure A - 24
Bottom (D520E)



ITEM	PART NAME	PART NO	REMARK
1	SCREW M2*3L K1 NI ICT NY	35-B1120-3RA	
2	MDC MODEM+TEL.CABLE MODULE	76-32200-100	
3	MAIN BOARD	77-D50E0-D03	
4	SCREW M2.5*6L P BZ ICT NY	35-06125-6RA	
5	THERMAL PAD FOR CPU HEATSINK(431809310308M1)	47-56P2N-010	
6	CPU HEATSINK MODULE	31-56P0N-100	
7	SCREW M2.5*4.5P*17.0I-35 L-175 S-65 B	35-41025-175	
8	SCREW M2.5*4L K1 BK/D ICT NY	35-B4125-4RA	
9	FAN MODULE D500	31-D500S-100	
10	SCREW M2.5*4L K1 BK/D ICT NY	35-B4125-4RA	
11	PCMCIA DUMMY CARD	42-D510P-010	
12	CPU COVER & SHIELDING PLATE MODULE P4	42-D520S-100	
13	BATT(3.5L1, 148V, 4.4Ah)FOR D520P,IC518M	87-D528S-4D5	Reference Assy No (99-58P05-162)
14	BATT(3.5L1, 148V, 4.4Ah)FOR D520P,IC518M(NEW)	87-D528S-4C5	
15	PRODUCT LABEL D520E	45-D52E3-010	
16	BOTTOM CASE MODULE (GRASS/RED)	39-D5203-011	Reference Assy No (99-58P05-110)
17	AUDIO DJ ASS'Y	42-58P78-100	
18	FFC CABLE FOR AUDIO DJ MODULE	43-56P08-010-1	
19	FDD ASS'Y 5800P	79-58P2J-010	Reference Assy No (99-58P05-149)
20	CD-RDM ASS'Y 5800P	79-58P2Z-020	Reference Assy No (99-58P05-150)
21	DVD RDM ASS'Y 5800P	79-58P2V-020	Reference Assy No (99-58P05-170)
22	SCREW M2.5*7L K1 NI ICT NY	35-B1125-7R0	
23	RUBBER PAD H=7mm (BACK)	47-56P23-020	
24	DC/DC BOARD	77-D500C-DOX	
25	HEX H=16MM M=M2.5 F=M2.5	34-56P03-010	
26	COSMETIC COVER (METAL)	33-56P03-030	
27	HDD CONVERTER BOARD	77-D500N-DOX	
28	W/D HDD ASS'Y 5600P	79-56P21-010	
29	CD-RW ASS'Y 5800P	79-58P2W-010	Reference Assy No (99-58P05-180)
30	COMBO ASS'Y 5800P	79-58P2X-010	Reference Assy No (99-58P05-190)

LCD 15" (D520E)

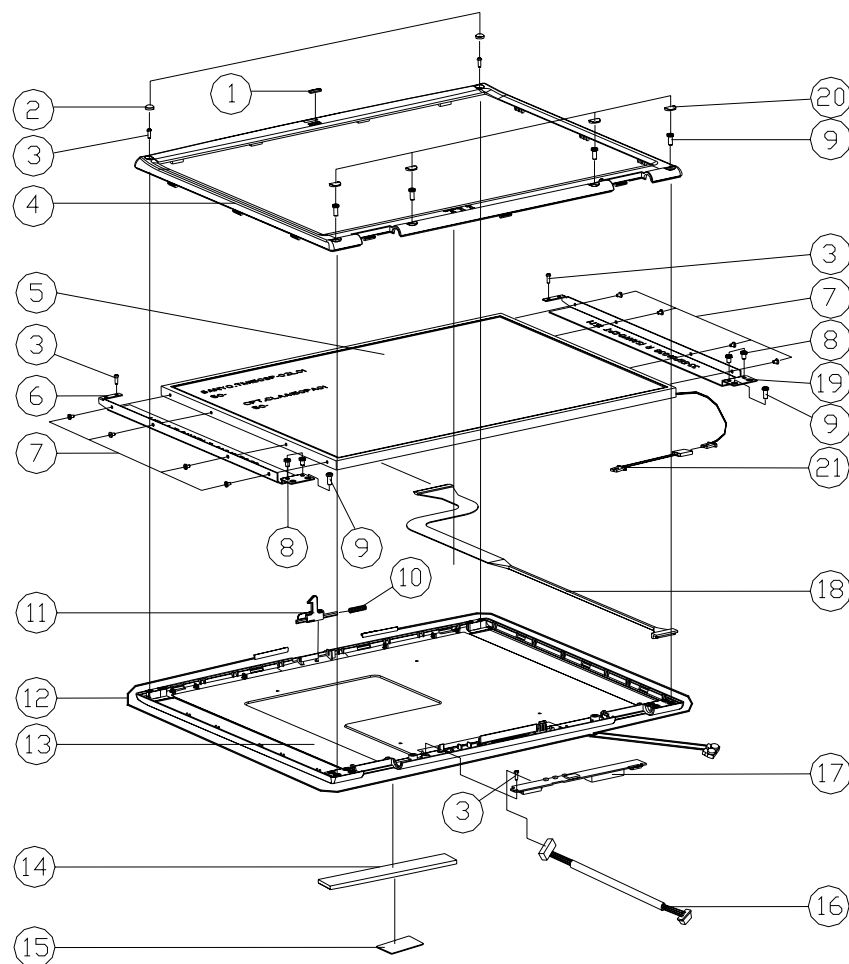


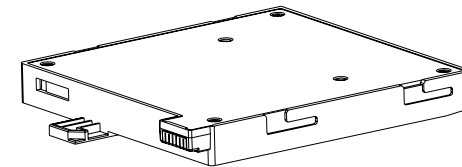
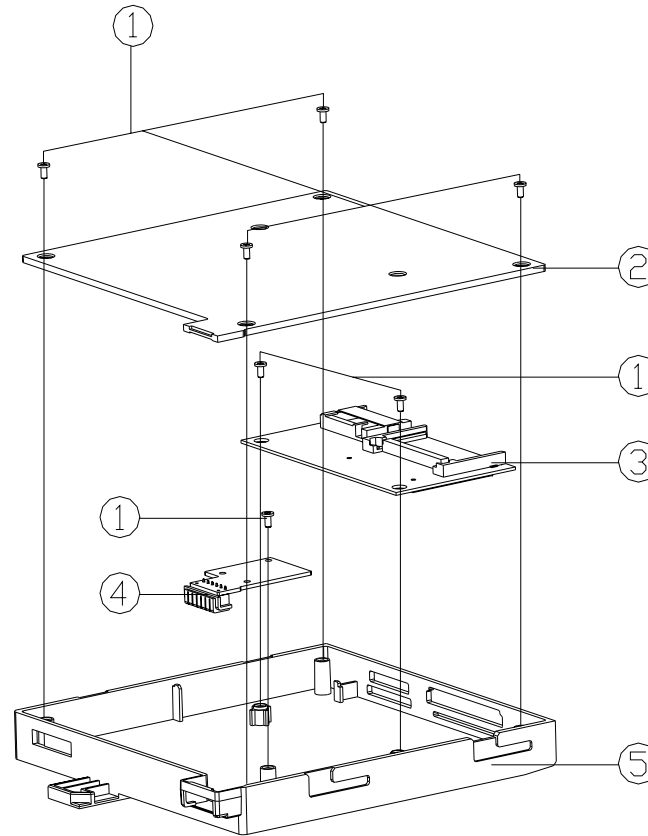
Figure A - 25
LCD 15" (D520E)

ITEM	PART NAME	PART NO	REMARK
1	RUBBER FOR LCD (MIDDLE)	47-56P21-030	
2	RUBBER FOR LCD (TOP)	47-56P32-010	
3	SCREW M2*6L P NI ICT NY	35-01120-6RA	
4	LCD FRONT PANEL MODULE(15.1")	39-58P01-013	
5	LCD T CPT CLAA150PA01 15.0" SXGA+ 7.0MM	50-L5270-C00	
5	LCD T HannStar HS150P15CW/IPS 15" UXGA	50-L4207-N00	
6	LCD BRACKET (LEFT SANYO-CPT 15.1")	33-56P01-040	
7	SCREW M2*3L K1 NI ICT NY	35-B1120-3RB	
8	SCREW M3*0.5P*4L K1 NI ICT NY	35-B1130-4R0	
9	SCREW M3*0.5*7L K1 NI ICT NY	35-B1130-7R0	
10	SPRING FOR HOOK (ø3.7*15*0.3ø)	38-21P30-011	
11	HOOK KNOB	42-58P81-011	
12	ANTENNA AND RF4L 150MM BLACK/10MM (ESM) HD/50/120/200E W/A	23-712R4-004	
13	BACK PANEL MODULE	39-58P01-024	
14	NAMEPLATE BASE	42-58P03-010	
15	LCD BACK COVER LABEL	43-4200R-010	
16	WIRE CABLE FOR INVERTER	43-56P0R-012	
17	EPS INVERTER BOARD V1.1 FOR DB00	76-D800R-001-1	
18	LCD COAXIAL CABLE FOR CPT/SAMXGA	43-56P01-131	
18	LCD COAXIAL CABLE FOR HannStar	43-56P01-170	
19	LCD BRACKET(RIGHT SANYO-CPT 15.1")	33-56P01-030	
20	RUBBER FOR LCD (BOTTOM)	47-56P33-010	
21	WIRE CABLE CONVERTER 500M FOR LG PANEL 5600P	43-56P01-090	FOR LG/DT PANEL

Part Lists

Card Reader (D520E)

Figure A - 26
Card Reader
(D520E)



ITEM	PART NAME	PART NO	REMARK
1	SCREW M2*4L K1 NI ICT NY	35-B1120-4R0	
2	D520P CARD READER COVER	42-D5203-010	
3	CARD READER MODULE V1.0.FOR D470W	88-D47E0-430	
4	CARD READER V1.0 D500P	77-D500V-D0X	
5	D520P CARD READER CASE+RUBBER PAD	42-D5203-100	

TEAC CD-ROM Drive (D520E)

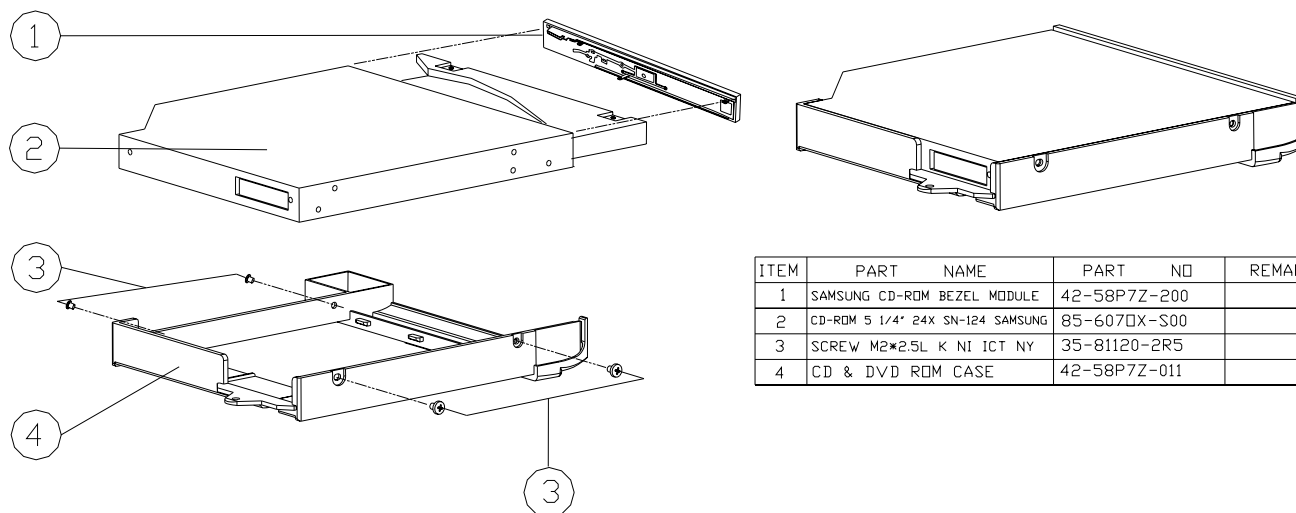


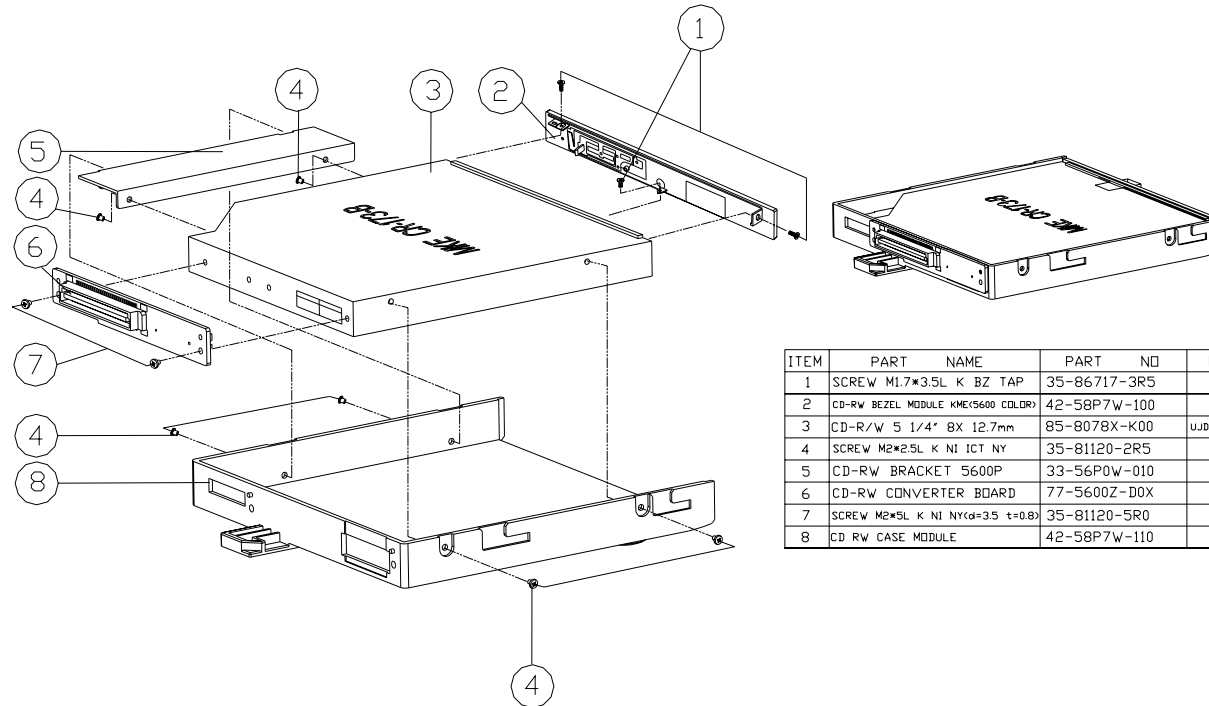
Figure A - 27
TEAC CD_ROM
Drive
(D520E)

ITEM	PART NAME	PART NO	REMARK
1	SAMSUNG CD-ROM BEZEL MODULE	42-58P7Z-200	
2	CD-ROM 5 1/4" 24X SN-124 SAMSUNG	85-607DX-S00	
3	SCREW M2*2.5L K NI ICT NY	35-81120-2R5	
4	CD & DVD ROM CASE	42-58P7Z-011	

Part Lists

KME CD-RW Drive (D520E)

Figure A - 28
KME CD-RW Drive
(D520E)



ITEM	PART NAME	PART NO	REMARK
1	SCREW M1.7*3.5L K BZ TAP	35-86717-3R5	
2	CD-RW BEZEL MODULE KME(5600 CDLDR)	42-58P7W-100	
3	CD-R/W 5 1/4" 8X 12.7mm	85-8078X-K00	UJDA330CL-Z KME
4	SCREW M2*2.5L K NI ICT NY	35-81120-2R5	
5	CD-RW BRACKET 5600P	33-56P0W-010	
6	CD-RW CONVERTER BOARD	77-5600Z-D0X	
7	SCREW M2*5L K NI NY(d=3.5 t=0.8)	35-81120-5R0	
8	CD RW CASE MODULE	42-58P7W-110	

Combo Drive (D520E)

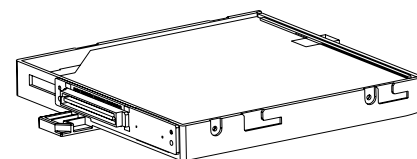
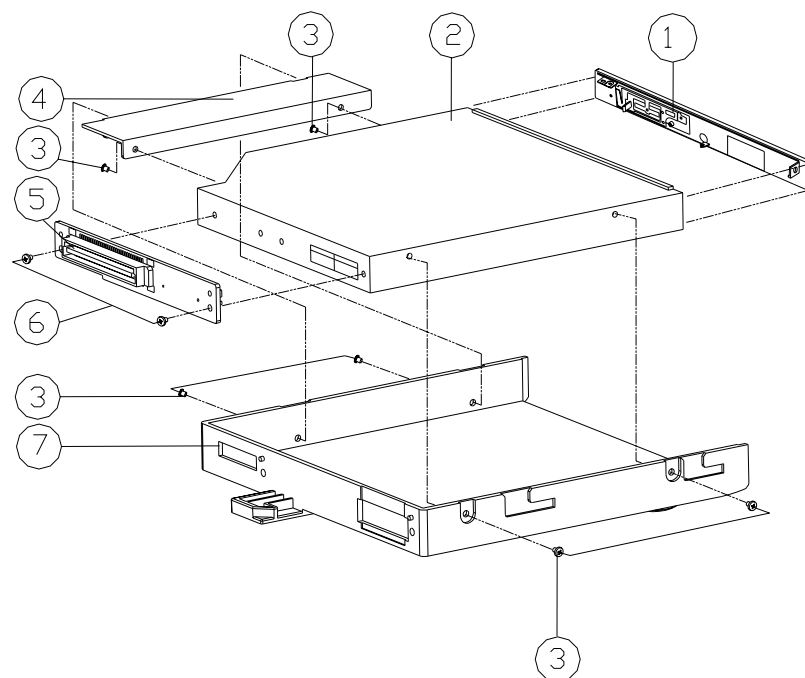
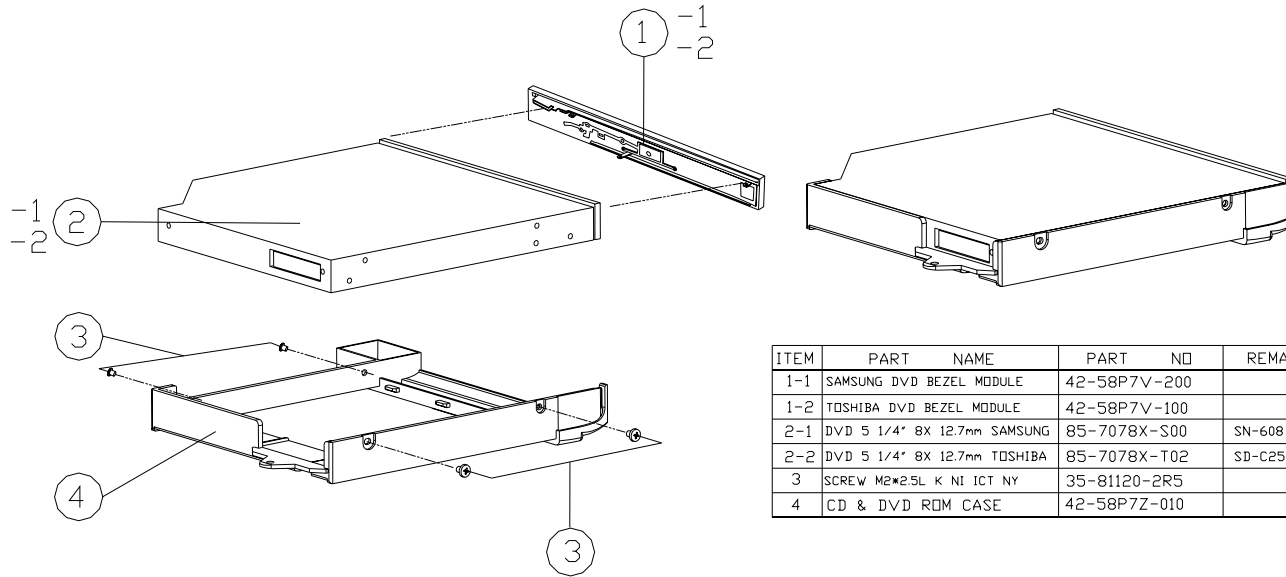


Figure A - 29
Combo Drive
(D520E)

ITEM	PART NAME	PART NO	REMARK
1	SAMSUNG COMBO BEZEL MODULE	42-58P7X-100	
2	CD-RW/DVD 5 1/4" 8X 12.7mm	85-9078X-S00	SN-308B SAMSUNG
3	SCREW M2*2.5L K NI ICT NY	35-81120-2R5	
4	CD-RW BRACKET 5600P	33-56P0W-010	
5	CD-RW CONVERTER BOARD	77-5600Z-D0X	
6	SCREW M2*5L K NI NY(d=3.5 t=0.8)	35-81120-5R0	
7	CD RW CASE MODULE	42-58P7W-110	

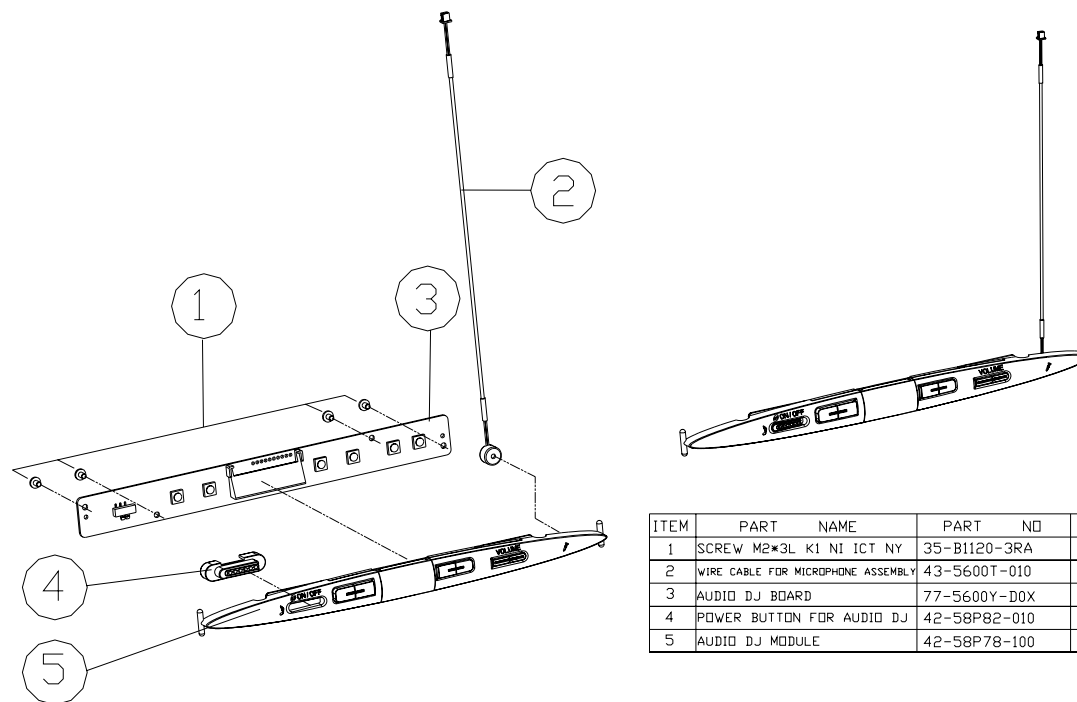
DVD-ROM Drive (D520E)

Figure A - 30
DVD-ROM Drive
(D520E)



ITEM	PART NAME	PART NO	REMARK
1-1	SAMSUNG DVD BEZEL MODULE	42-58P7V-200	
1-2	TOSHIBA DVD BEZEL MODULE	42-58P7V-100	
2-1	DVD 5 1/4" 8X 12.7mm SAMSUNG	85-7078X-S00	SN-608
2-2	DVD 5 1/4" 8X 12.7mm TOSHIBA	85-7078X-T02	SD-C2502
3	SCREW M2*2.5L K NI ICT NY	35-81120-2R5	
4	CD & DVD ROM CASE	42-58P7Z-010	

Audio DJ (D520E)

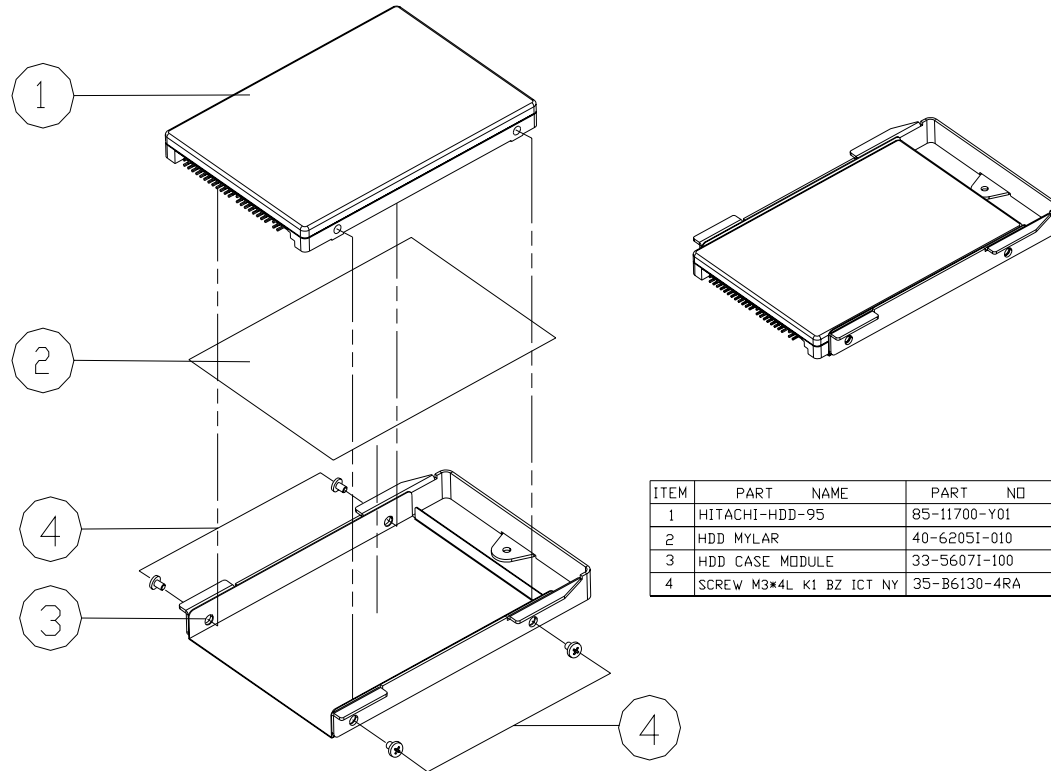


ITEM	PART NAME	PART NO	REMARK
1	SCREW M2*3L K1 NI ICT NY	35-B1120-3RA	
2	WIRE CABLE FOR MICROPHONE ASSEMBLY	43-5600T-010	
3	AUDIO DJ BOARD	77-5600Y-D0X	
4	POWER BUTTON FOR AUDIO DJ	42-58P82-010	
5	AUDIO DJ MODULE	42-58P78-100	

Figure A - 31
Audio DJ (D520E)

HDD (D520E)

Figure A - 32
HDD (D520E)



ITEM	PART NAME	PART NO	REMARK
1	HITACHI-HDD-95	85-11700-Y01	YD-702J-6637J
2	HDD MYLAR	40-6205I-010	
3	HDD CASE MODULE	33-5607I-100	
4	SCREW M3*4L K1 BZ ICT NY	35-B6130-4RA	

Floppy Disk Drive (D520E)

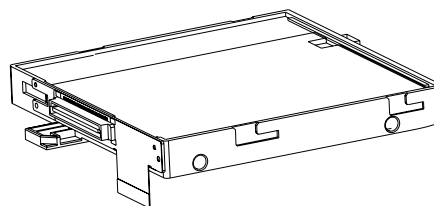
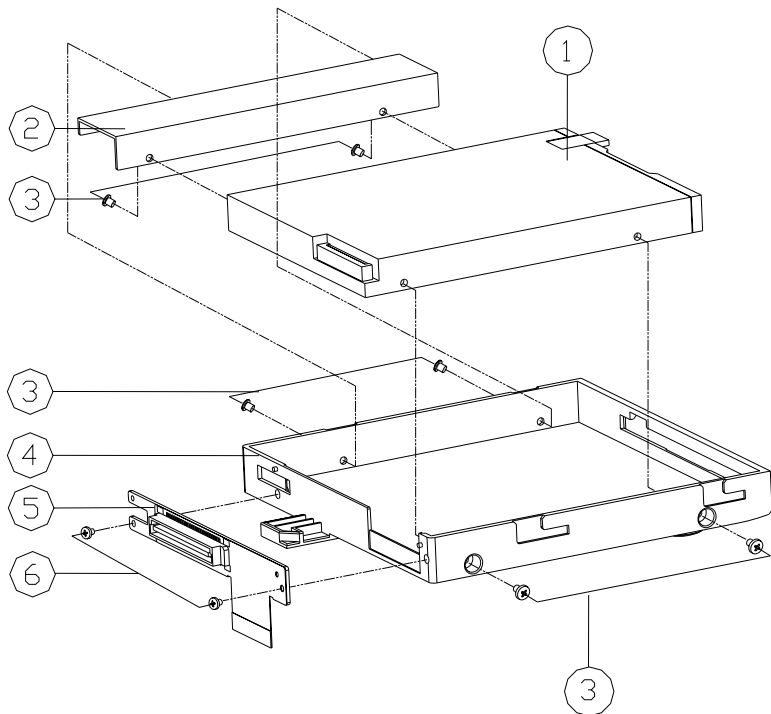
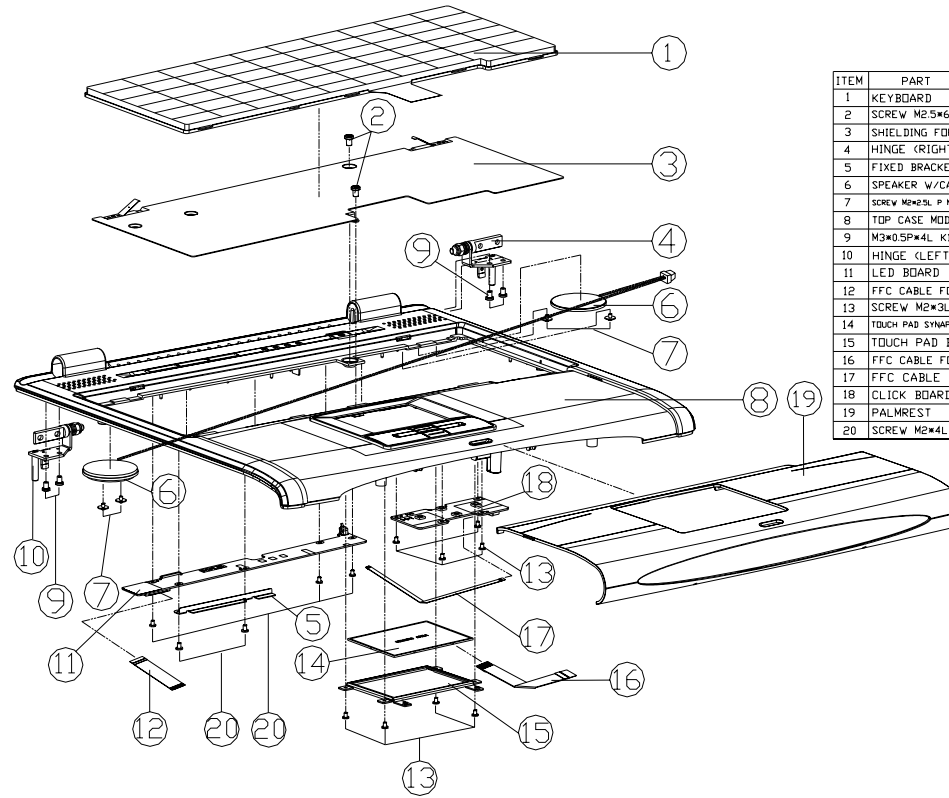


Figure A - 33
Floppy Disk Drive
(D520E)

ITEM	PART NAME	PART NO	REMARK
1	3.5" FDD 12.7mm Y-E DATA	85-11700-Y01	YD-702J-6637J
2	FDD BRACKET 5600P	33-56P0J-010	
3	SCREW M2.5*4L K1 BK/D ICT NY	35-B4125-4RA	
4	FDD CASE MODULE	42-58P7J-100	
5	FPC CABLE MODULE FOR FDD ADAPTOR	43-5600J-010	
6	SCREW M2*4L K1 NI ICT NY	35-B1120-4RA	

Top (D530E)

Figure A - 34
Top (D530E)



ITEM	PART NAME	PART NO	REMARK
1	KEYBOARD	80-56P08-7G0	
2	SCREW M2.5*6L P BZ ICT NY	35-06125-6RA	
3	SHIELDING FOR KEYBOARD	33-56P07-010	
4	HINGE (RIGHT)	33-56P01-070	
5	FIXED BRACKET FOR CABLE	33-56P03-060	
6	SPEAKER W/CABLE	23-53610-281	
7	SCREW M2*2.5L P NI ICT NY W/WASHER	35-01020-2RE	
8	TOP CASE MODULE	39-05202-011	
9	M3*0.5P*4L KI NI ICT NY	35-B1130-4R0	
10	HINGE (LEFT)	33-56P01-080	
11	LED BOARD	77-D5004-D01	
12	FFC CABLE FOR LED&HOTKEY	43-56P02-020-1	
13	SCREW M2*3L KI NI ICT NY	35-B1120-3RA	
14	TOUCH PAD SYNAPTICS TM41PG351-1	49-42002-010	
15	TOUCH PAD BRACKET	33-58P02-050	
16	FFC CABLE FOR TOUCH PAD	43-56P02-010	
17	FFC CABLE FOR CLICK	43-56P03-010-1	
18	CLICK BOARD	77-58002-D01	
19	PALMREST	42-58P72-030	
20	SCREW M2*4L KI NI ICT NY	35-B1120-4R0	

Bottom (D530E)

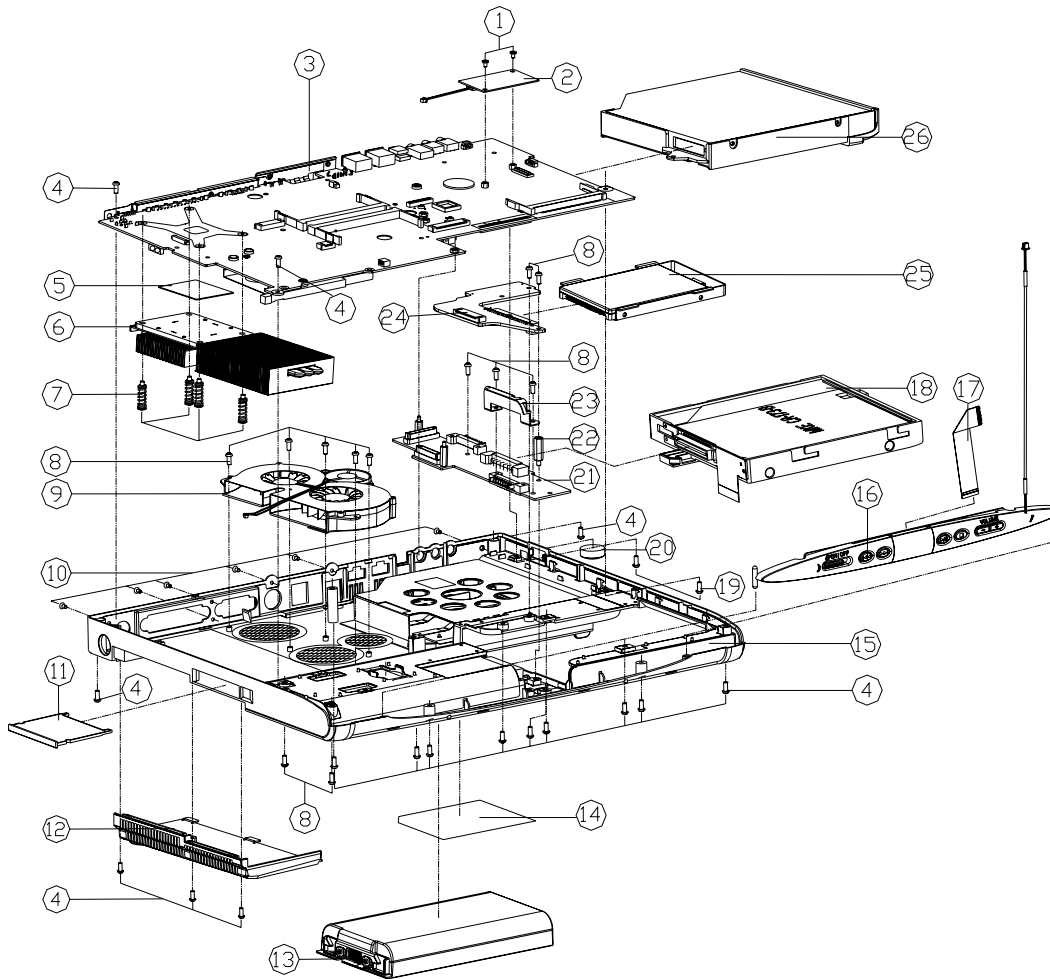


Figure A - 35
Bottom (D530E)

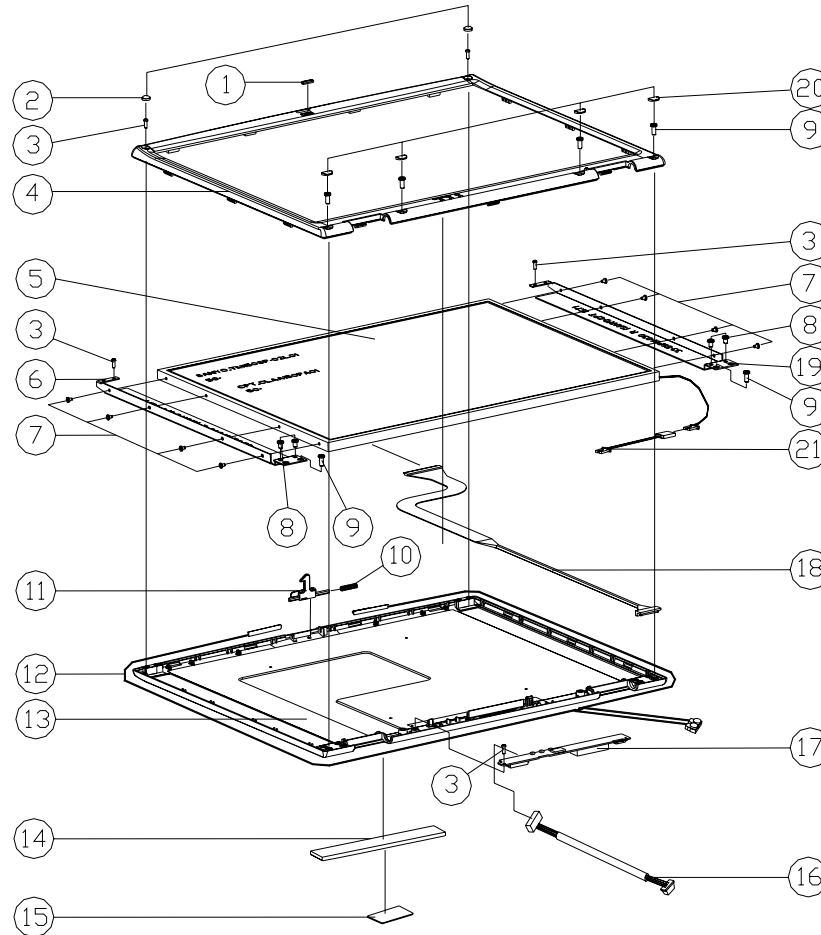
ITEM	PART NAME	PART NO	REMARK
1	SCREW M2*3L K1 NI ICT NY	35-B1120-3RA	
2	MDC MODEM+TEL.CABLE MODULE	76-32200-100	
3	MAIN BOARD	77-D50E0-D0X	
4	SCREW M2.5*6L P BZ ICT NY	35-06125-6RA	
5	THERMAL PAD FOR CPU HEATSINK(4310X35.37*628H)	47-56P2N-010	
6	CPU HEATSINK MODULE	31-D500N-100	
7	SCREW M2.5*4SP#17 #6-33 L#175 S#25 B	35-41025-175	
8	SCREW M2.5*4L K1 BK/D ICT NY	35-B4125-4RA	
9	FAN MODULE D500	31-D500S-100	
10	SCREW M2*4L F NI ICT NY	35-21120-4RA	
11	PCMCIA DUMMY CARD	42-D400P-011	
12	CPU COVER +RUBBER PAD+EMI GASKET	42-D500S-100	
13	BATTERY 14.8V, 4.4AH FOR D500P/DC53M	87-D528S-4DS	Reference Ass'y No C99-56P05-040
13	BATTERY 14.8V, 4.4AH FOR D500P/DC53M/DC53E/DC53M	87-D528S-4CS	Reference Ass'y No C99-56P05-050
14	PRODUCT LABEL D530E	45-D53E3-010	
15	BOTTOM CASE MODULE	39-D5003-011	
16	AUDIO DJ ASS'Y	42-58P78-101	Reference Ass'y No C99-56P05-110
17	FFC CABLE FOR AUDIO DJ MODULE	43-56P08-010-1	
18	FDD ASS'Y 5600P	79-56P2J-010	Reference Ass'y No C99-56P05-040
18	CD-RDM ASS'Y 5600P	79-56P2Z-000	Reference Ass'y No C99-56P05-050
18	DVD RDM ASS'Y 5600P	79-56P2V-000	Reference Ass'y No C99-56P05-070
19	SCREW M2.5*7L K1 NI ICT NY	35-B1125-7R0	
20	RUBBER PAD H=7mm (BACK)	47-56P23-020	
21	DC/DC BOARD	77-D500C-D0X	
22	HEX H=14.7MM (M=M2.5 F=M2.5)	34-56003-020	
23	COSMETIC COVER (METAL)	33-56P03-030	
24	HDD CONVERTER BOARD	77-D500N-D0X	
25	W/D HDD ASS'Y 5600P	79-56P21-010	
26	CD-RW ASS'Y 5600P	79-56P2W-000	Reference Ass'y No C99-56P05-080
26	COMBO ASS'Y 5600P	79-56P2X-000	Reference Ass'y No C99-56P05-090

Part Lists

Part Lists

LCD 15" (D530E)

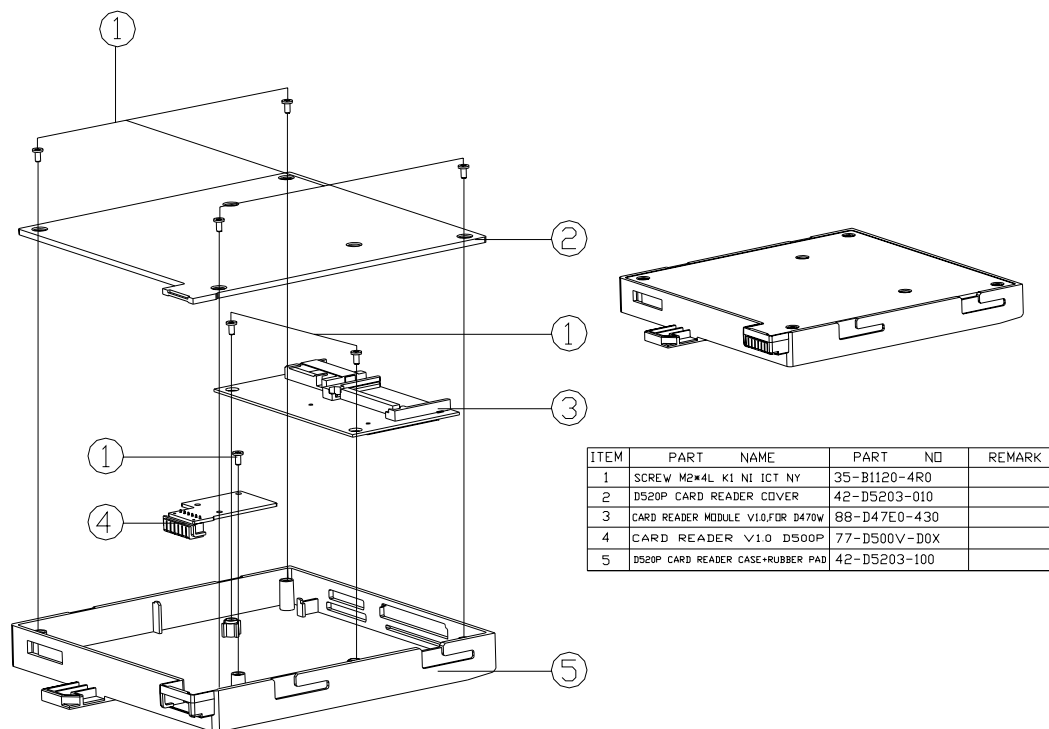
Figure A - 36
LCD 15" (D530E)



ITEM	PART NAME	PART NO	REMARK
1	RUBBER FOR LCD (MIDDLE)	47-56P21-030	
2	RUBBER FOR LCD (TOP)	47-56P32-010	
3	SCREW M2*6L P.NI ICT NY	35-01120-6RA	
4	LCD FRONT PANEL MODULE(15.1")	39-58P01-013	
5	LCD T CPT CLAA150PA01 15.0" SXGA+ 7.0MM	50-L5270-C00	
5	LCD 15.0 IBM TFT OEM95C-02 SXGA+ 4.1mm	50-L3241-E00	
5	LCD T IDT11B0 11UM97 15" UXGA	50-L4207-E00	
5	LCD T LG LP150U1-A2 15" UXGA	50-L4207-L00	
5	LCD 15.0" SXGA TFT 1ST 140X104 2048*1536 7.2mm360P	50-L6272-E01	
6	LCD BRACKET (LEFT SANYO-CPT 15.1")	33-56P01-040	
7	SCREW M2*3L K1 NI ICT NY	35-B1120-3RB	
8	SCREW M3*0.5P*4L K1 NI ICT NY	35-B1130-4R0	
9	SCREW M3*0.5*7L K1 NI ICT NY	35-B1130-7R0	
10	SPRING FOR HOOK (Ø3.7*15*0.3cd)	38-21P30-011	
11	HOOK KNOB	42-58P81-011	
12	2.4GHZ DIPOLE ANTENNA DD1.32MM L-RIGHT+LEFT	23-712R4-002	
13	BACK PANEL MODULE	39-58P01-024	
14	NAMEPLATE BASE	42-58P03-010	
15	LCD BACK COVER LABEL	43-4200R-010	
16	WIRE CABLE FOR INVERTER	43-56P0R-012	
17	INVERTER BOARD	77-D800R-D02	
18	LCD WIRE CABLE FOR CPT	43-56P01-131	
18	LCD COAXIAL CABLE FOR IBM	43-56P01-142-1	
18	LCD COAXIAL CABLE FOR IBM	43-56P01-160	
18	LCD COAXIAL CABLE FOR LG	43-56P01-080	
18	LCD COAXIAL CABLE FOR IBM	43-56P01-070	
19	LCD BRACKET(RIGHT SANYO-CPT 15.1")	33-56P01-030	
20	RUBBER FOR LCD (BOTTOM)	47-56P33-010	
21	WIRE CABLE CONVERTER 50MM FOR LG PANEL 5600	43-56P01-090	FOR LG/1D1 PANEL

Part Lists

Card Reader (D530E)

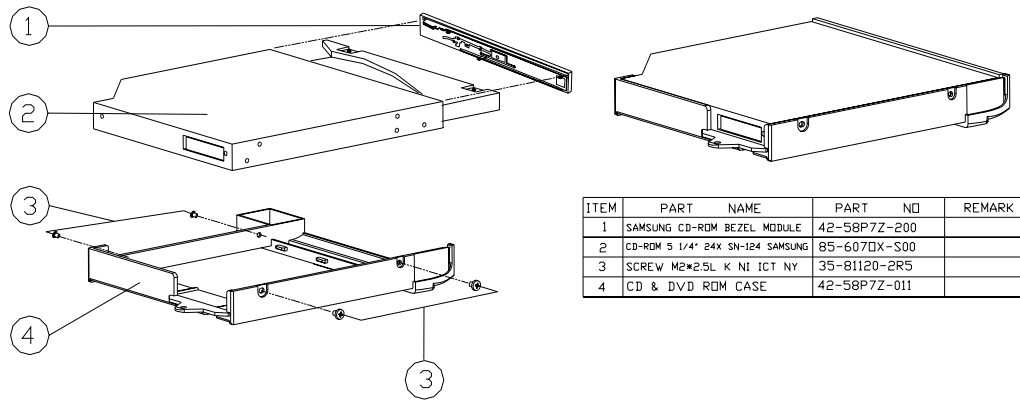


ITEM	PART	NAME	PART NO	REMARK
1	SCREW	M2*4L K1 NI ICT NY	35-B1120-4R0	
2	D520P	CARD READER COVER	42-D5203-010	
3	CARD READER	MODULE V1.0.FOR D470W	88-D47E0-430	
4	CARD READER	V1.0 D500P	77-D500V-D0X	
5	D520P	CARD READER CASE+RUBBER PAD	42-D5203-100	

Figure A - 37
Card Reader
(D530E)

TEAC CD-ROM Drive (D530E)

Figure A - 38
TEAC CD_ROM
Drive
(D530E)



ITEM	PART NAME	PART NO	REMARK
1	SAMSUNG CD-ROM BEZEL MODULE	42-58P7Z-200	
2	CD-ROM 5 1/4\" 24X SN-124 SAMSUNG	85-6070X-S00	
3	SCREW M2*2.5L K NI ICT NY	35-81120-2R5	
4	CD & DVD ROM CASE	42-58P7Z-011	

KME CD-RW Drive (D530E)

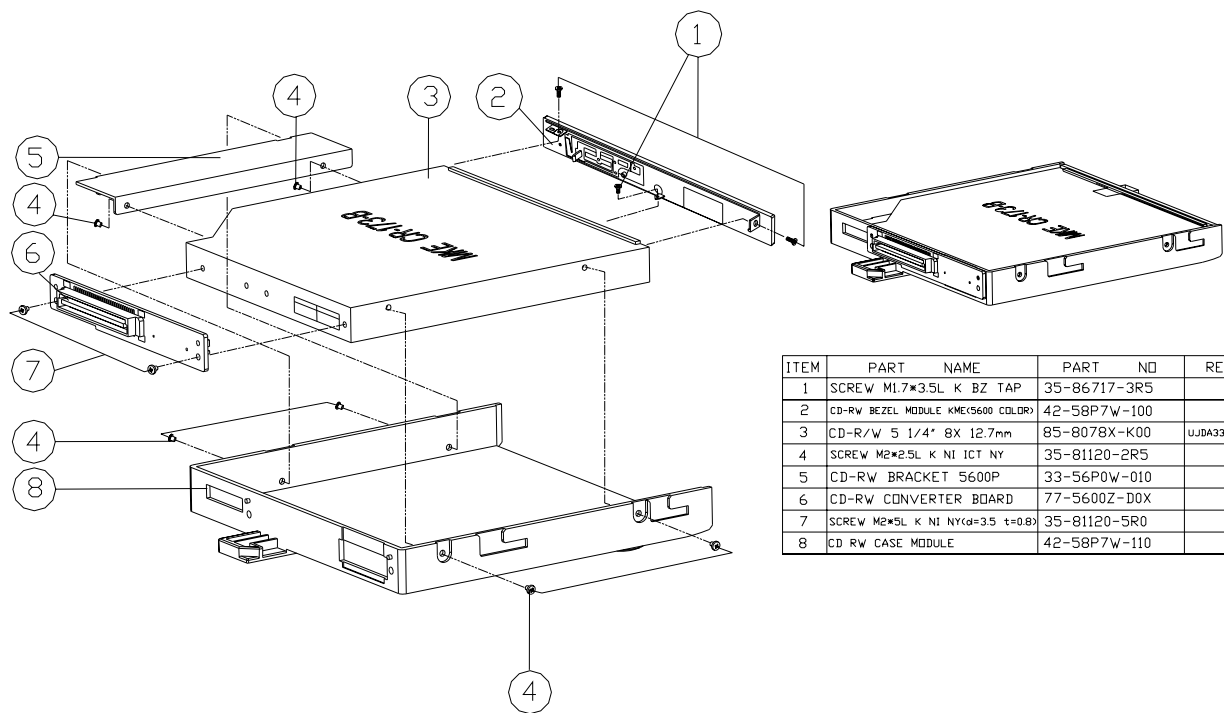


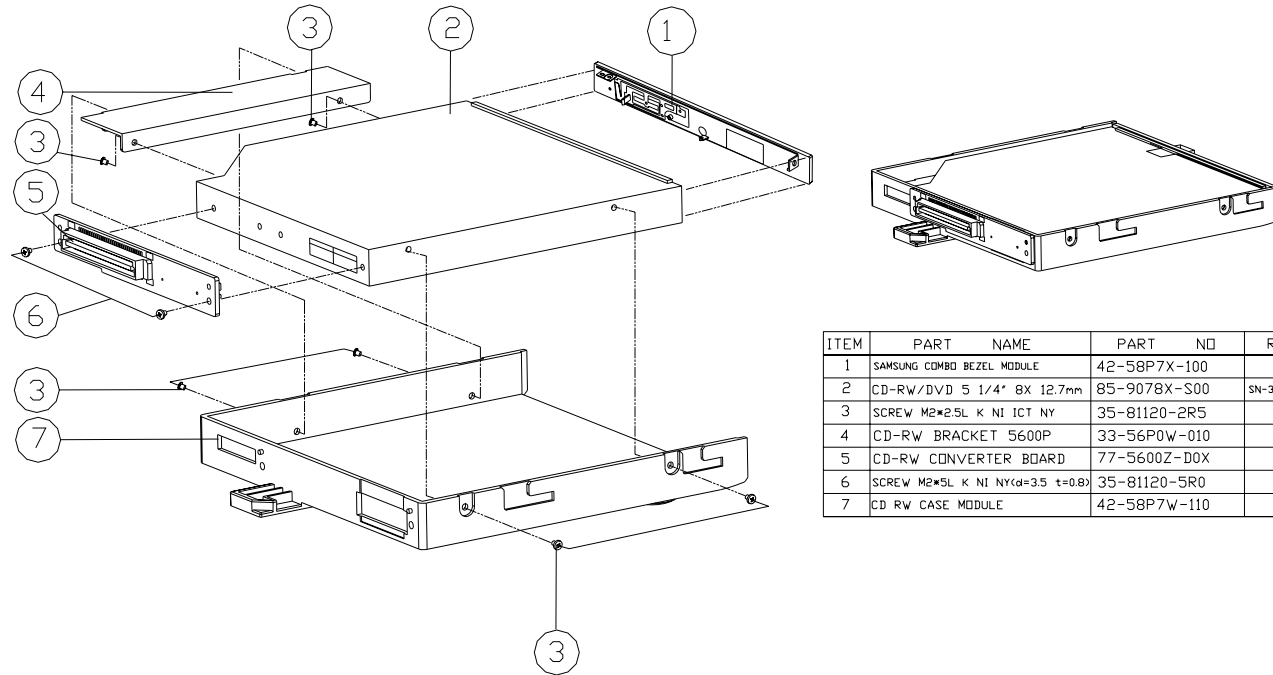
Figure A - 39
KME CD-RW Drive
(D530E)

ITEM	PART NAME	PART NO	REMARK
1	SCREW M1.7*3.5L K BZ TAP	35-86717-3R5	
2	CD-RW BEZEL MODULE KME(5600 CDLDR)	42-58P7W-100	
3	CD-R/W 5 1/4" 8X 12.7mm	85-8078X-K00	UJDA330CL-Z KME
4	SCREW M2*2.5L K NI ICT NY	35-81120-2R5	
5	CD-RW BRACKET 5600P	33-56P0W-010	
6	CD-RW CONVERTER BOARD	77-5600Z-D0X	
7	SCREW M2*5L K NI NY(cd=3.5 t=0.8)	35-81120-5R0	
8	CD RW CASE MODULE	42-58P7W-110	

Part Lists

Combo Drive (D530E)

Figure A - 40
Combo Drive
(D530E)



ITEM	PART NAME	PART NO	REMARK
1	SAMSUNG COMBO BEZEL MODULE	42-58P7X-100	
2	CD-RW/DVD 5 1/4" 8X 12.7mm	85-9078X-S00	SN-308B SAMSUNG
3	SCREW M2*2.5L K NI ICT NY	35-81120-2R5	
4	CD-RW BRACKET 5600P	33-56P0W-010	
5	CD-RW CONVERTER BOARD	77-5600Z-D0X	
6	SCREW M2*5L K NI NY(d=3.5 t=0.8)	35-81120-5R0	
7	CD RW CASE MODULE	42-58P7W-110	

DVD-ROM Drive (D530E)

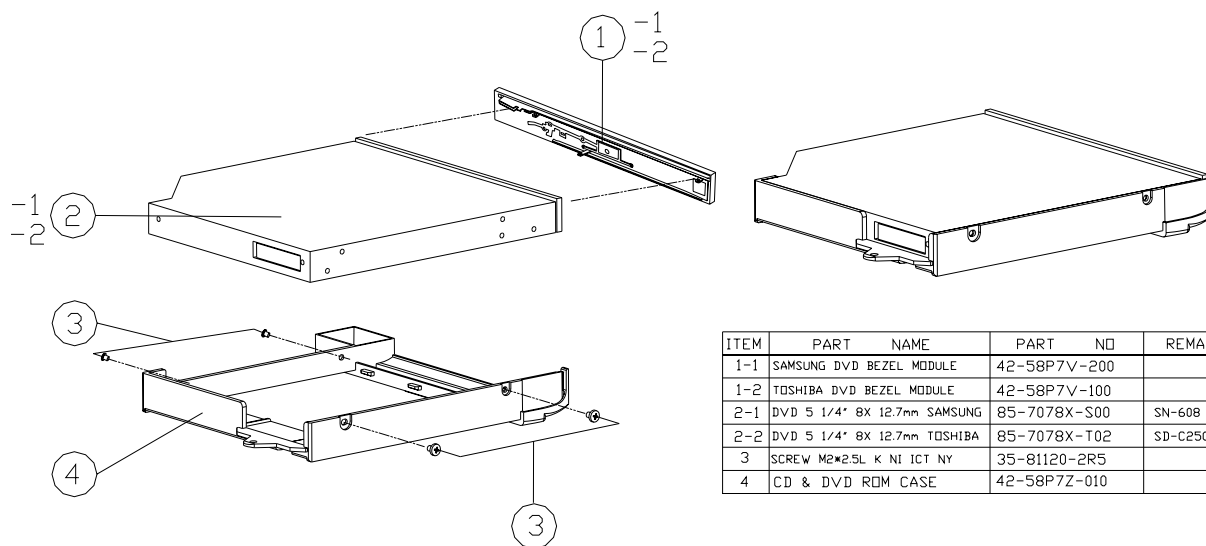


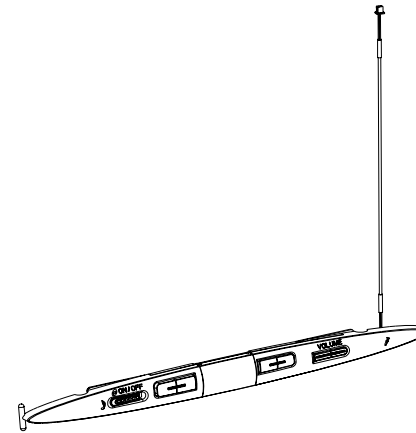
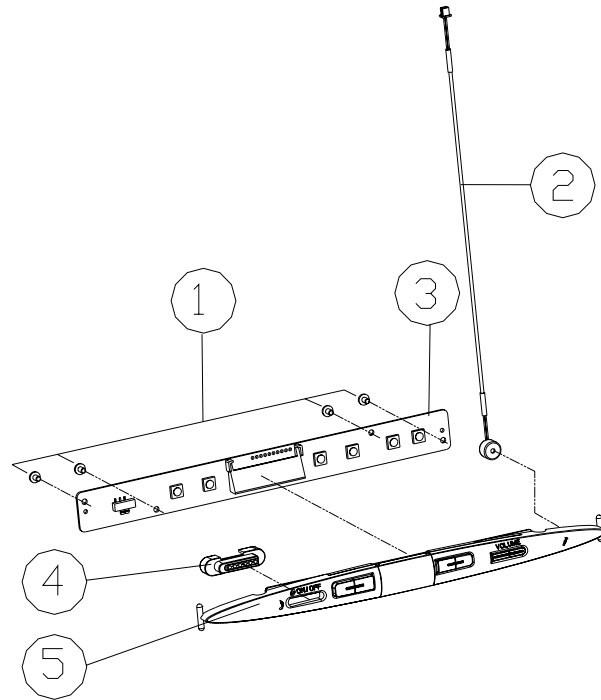
Figure A - 41
DVD-ROM Drive
(D530E)

ITEM	PART NAME	PART NO	REMARK
1-1	SAMSUNG DVD BEZEL MODULE	42-58P7V-200	
1-2	TOSHIBA DVD BEZEL MODULE	42-58P7V-100	
2-1	DVD 5 1/4" 8X 12.7mm SAMSUNG	85-7078X-S00	SN-608
2-2	DVD 5 1/4" 8X 12.7mm TOSHIBA	85-7078X-T02	SD-C2502
3	SCREW M2*2.5L K NI ICT NY	35-81120-2R5	
4	CD & DVD ROM CASE	42-58P7Z-010	

Part Lists

Audio DJ (D530E)

Figure A - 42
Audio DJ (D530E)



ITEM	PART NAME	PART NO	REMARK
1	SCREW M2*3L K1 NI ICT NY	35-B1120-3RA	
2	WIRE CABLE FOR MICROPHONE ASSEMBLY	43-5600T-010	
3	AUDIO DJ BOARD	77-5600Y-D0X	
4	POWER BUTTON FOR AUDIO DJ	42-58P82-010	
5	AUDIO DJ MODULE	42-58P78-100	

HDD (D530E)

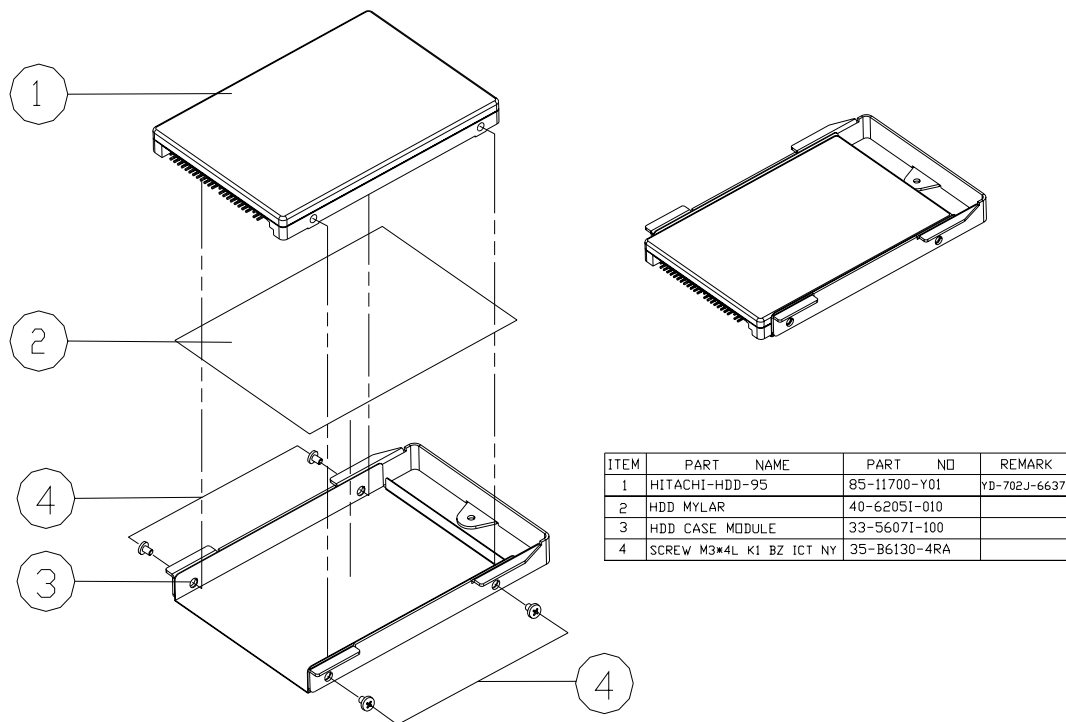
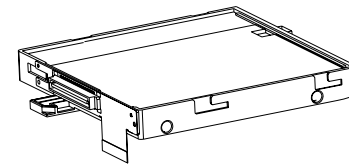
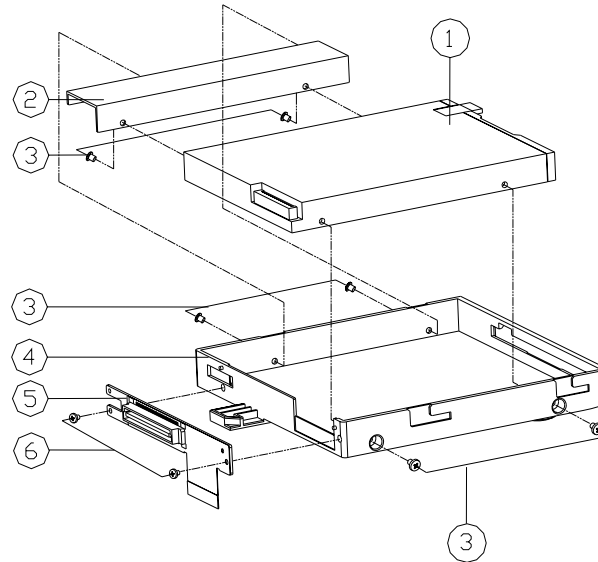


Figure A - 43
HDD (D530E)

Floppy Disk Drive (D530E)

Figure A - 44
Floppy Disk Drive
(D530E)



ITEM	PART NAME	PART NO	REMARK
1	3.5" FDD 12.7mm Y-E DATA	85-11700-Y01	YD-702J-6637J
2	FDD BRACKET 560P	33-56P0J-010	
3	SCREW M2.5*4L K1 BK/D ICT NY	35-B4125-4RA	
4	FDD CASE MODULE	42-58P7J-100	
5	FPC CABLE MODULE FOR FDD ADAPTOR	43-5600J-010	
6	SCREW M2*4L K1 NI ICT NY	35-B1120-4RA	

Appendix B: Schematic Diagrams

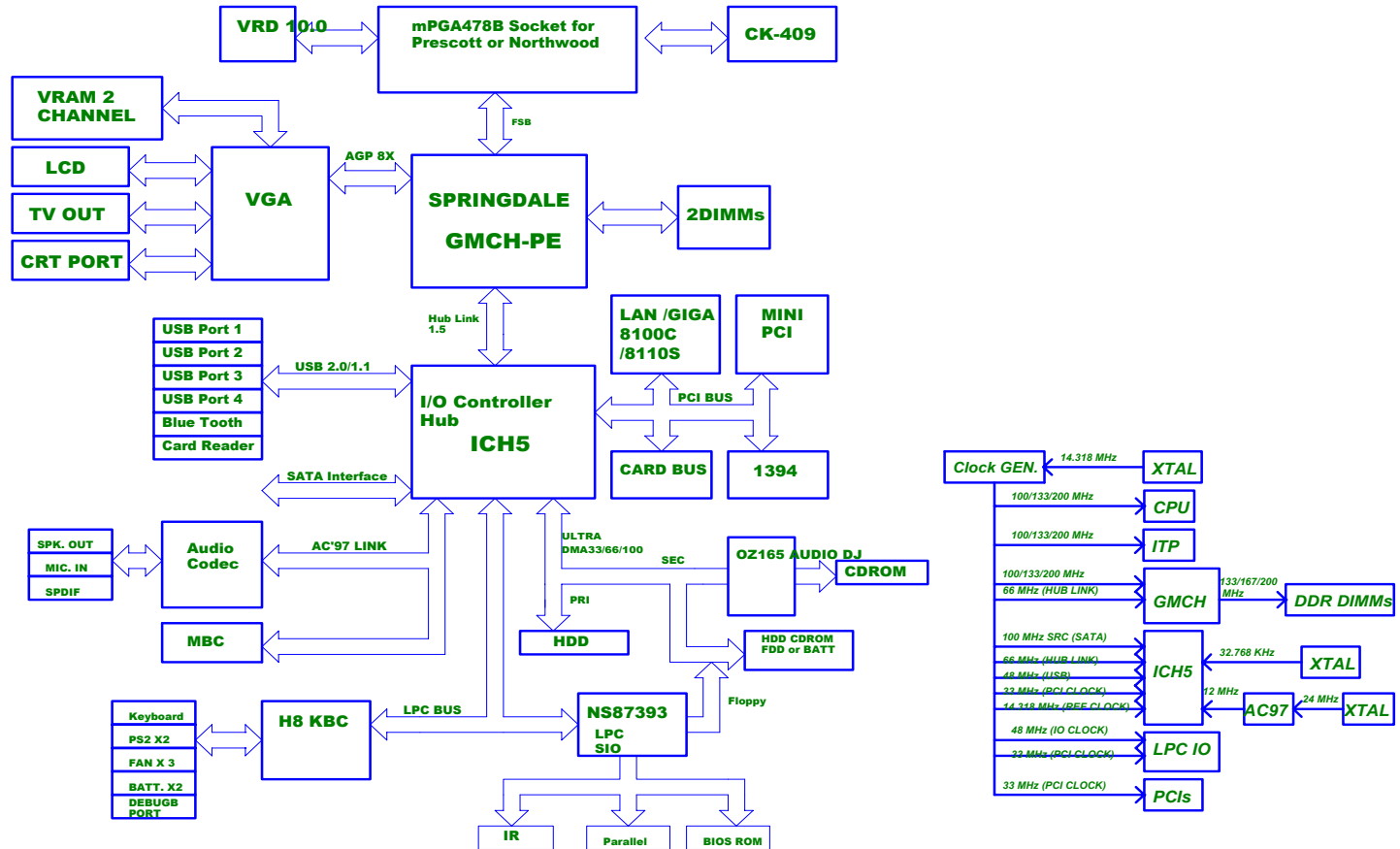
This appendix has circuit diagrams of the systems PCB's. The following table indicates where to find the appropriate schematic diagram.

Diagram - Page	Diagram - Page
<i>System Block Diagram - Page B - 2</i>	<i>ICH5 (3 of 3) - Page B - 17</i>
<i>CPU 1 of 2 - Page B - 3</i>	<i>HDD/CD-ROM/FDD - Page B - 18</i>
<i>CPU 2 of 2 - Page B - 4</i>	<i>PCI 1410 - Page B - 19</i>
<i>Clock Generator - Page B - 5</i>	<i>PCI1394 TSB43AB21 - Page B - 20</i>
<i>GMCH-1 - Page B - 6</i>	<i>PCI RTL8100C / RTL8110S - Page B - 21</i>
<i>GMCH-2 Power - Page B - 7</i>	<i>LPC Super I/O - Page B - 22</i>
<i>GMCH-3 DDR - Page B - 8</i>	<i>LPC H8 - Page B - 23</i>
<i>DIMMA - Page B - 9</i>	<i>AC'97 Codec - Page B - 24</i>
<i>DIMMB - Page B - 10</i>	<i>FAN/MBC/Mini PCI - Page B - 25</i>
<i>AGP/ POWER - Page B - 11</i>	<i>ACIN; PWR Button - Page B - 26</i>
<i>GMC-1 - Page B - 12</i>	<i>D/D Conn - Page B - 27</i>
<i>GMC-2 - Page B - 13</i>	<i>VCORE - Page B - 28</i>
<i>VGA Connector - Page B - 14</i>	<i>System Power 1 - Page B - 29</i>
<i>ICH5 (1 of 3) - Page B - 15</i>	<i>System Power 2 - Page B - 30</i>
<i>ICH5 (2 of 3) - Page B - 16</i>	

Table B - 1
**Schematic
Diagrams**

System Block Diagram

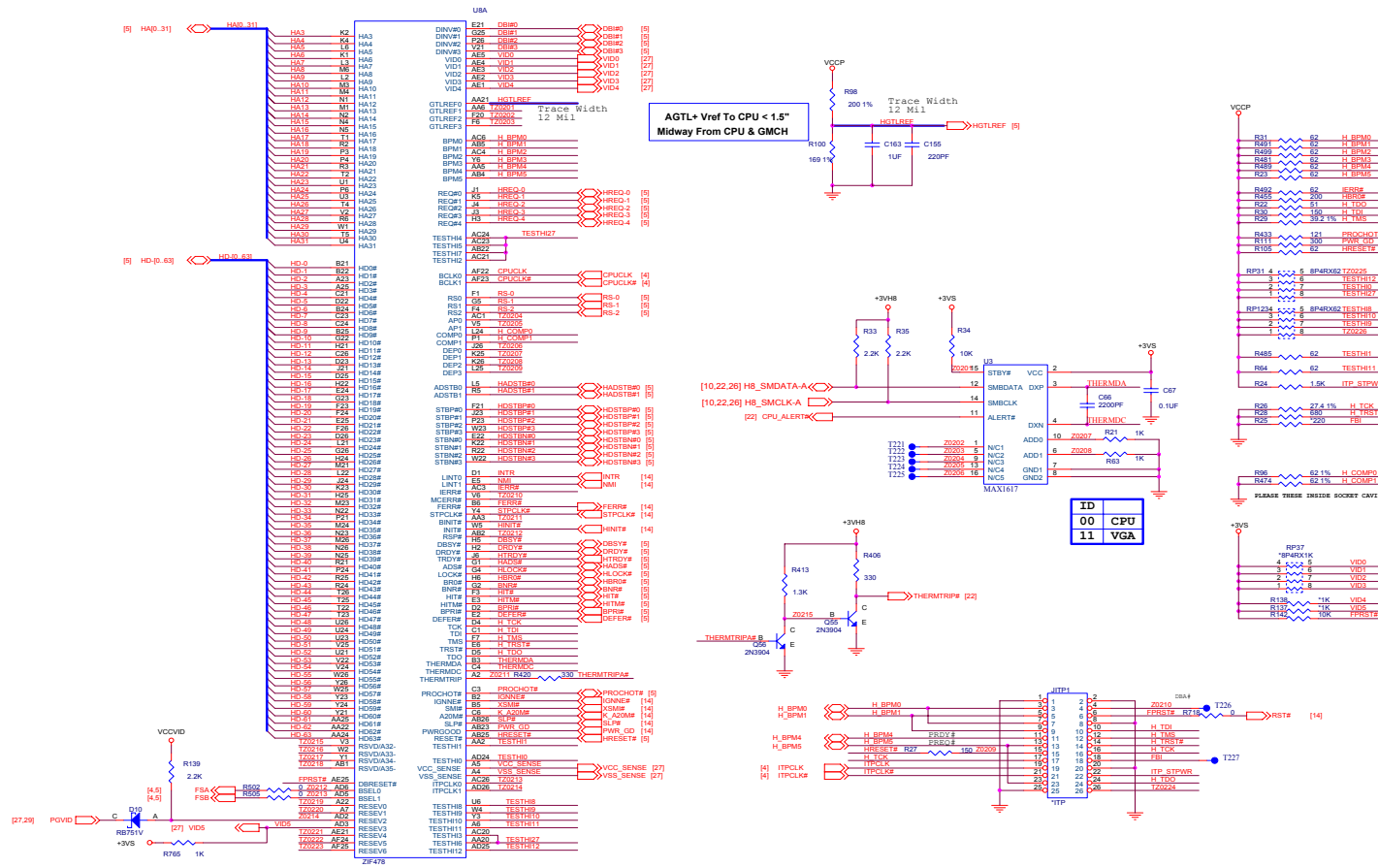
BLOCK DIAGRAM



Sheet 1 of 29
System Block
Diagram

Schematic Diagrams

CPU 1 of 2

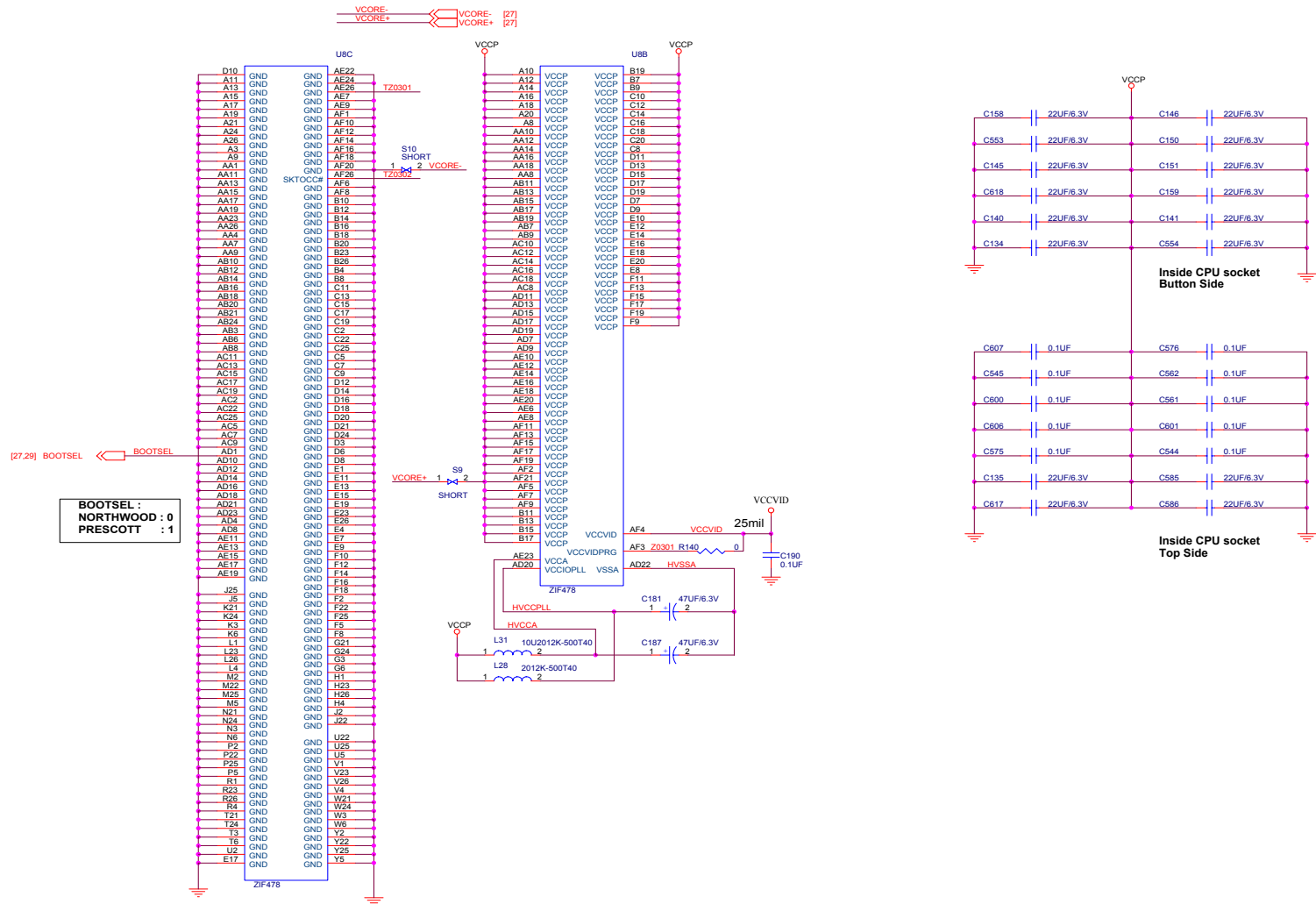


Schematic Diagrams

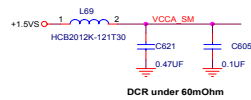
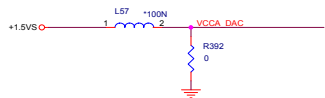
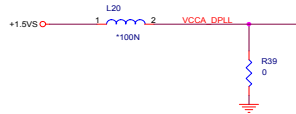
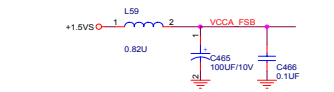
CPU 2 of 2

Schematic Diagrams

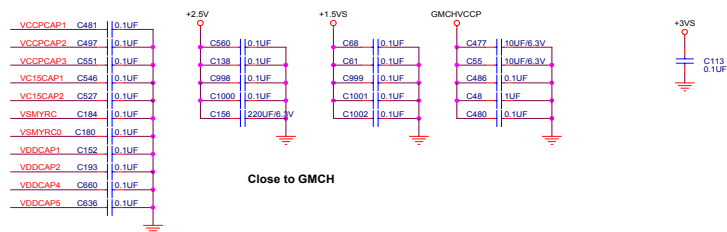
Sheet 3 of 29
CPU 2 of 2



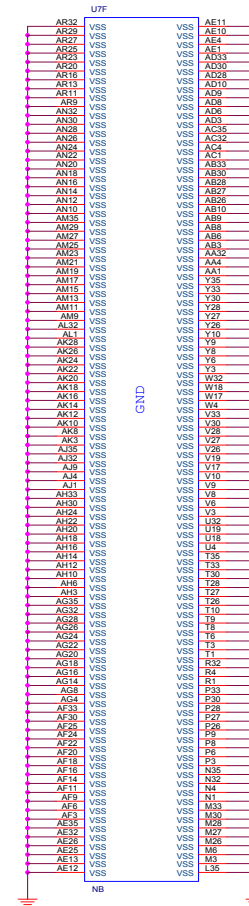
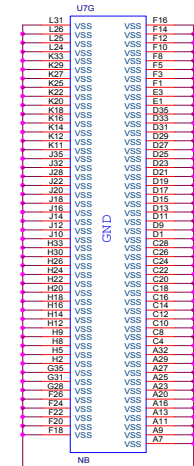
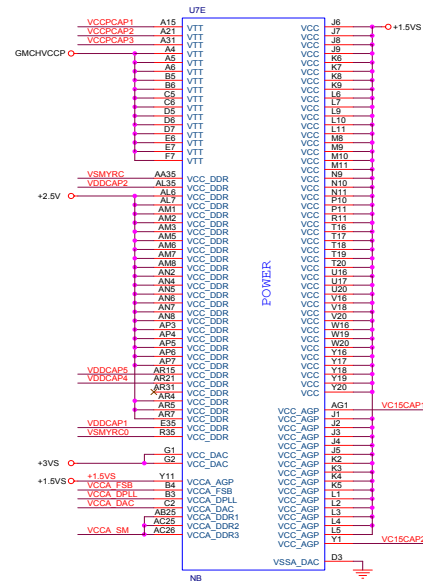
GMCH-2 Power



DCR under 60mOhm



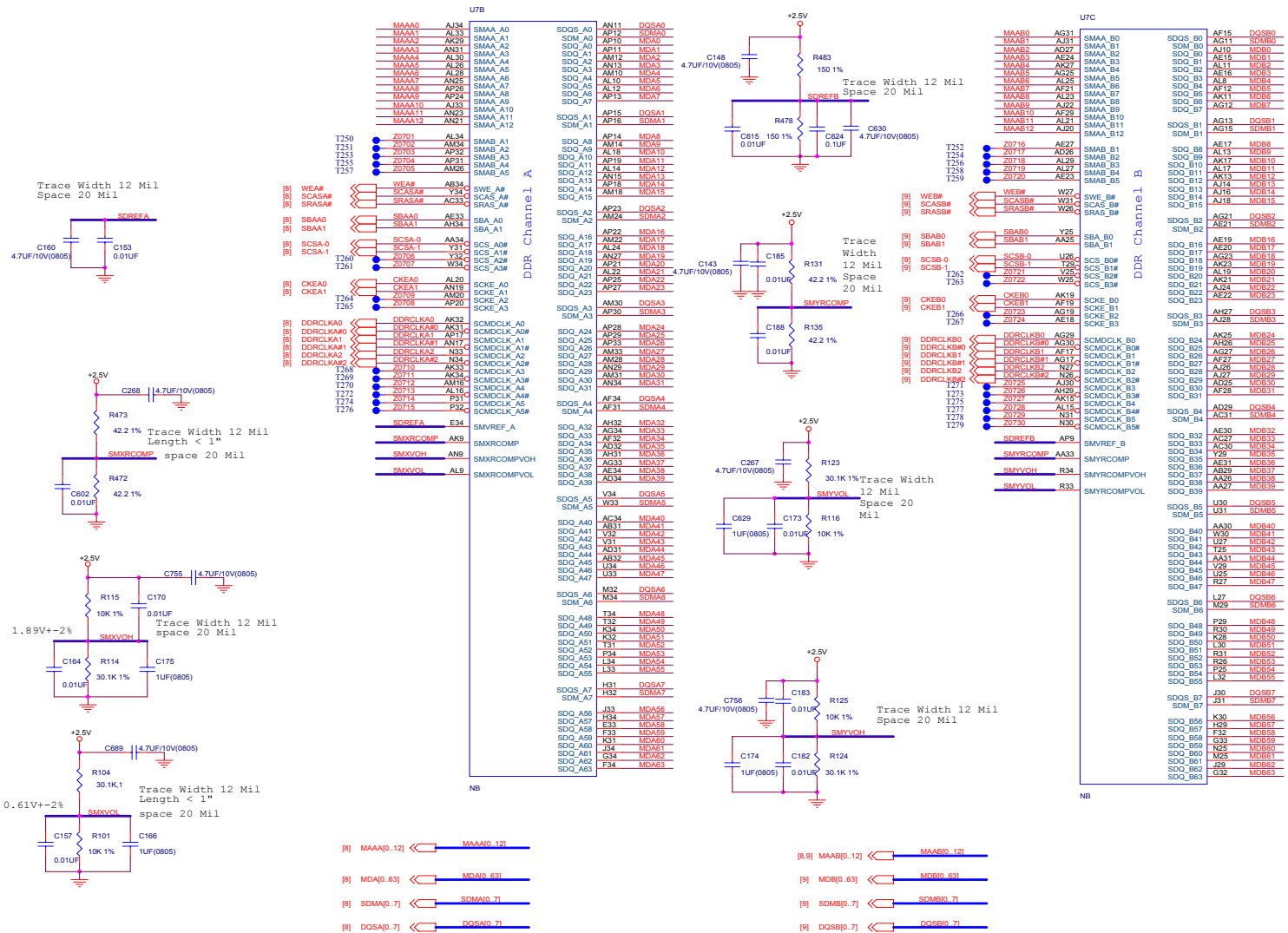
Close to GMCH



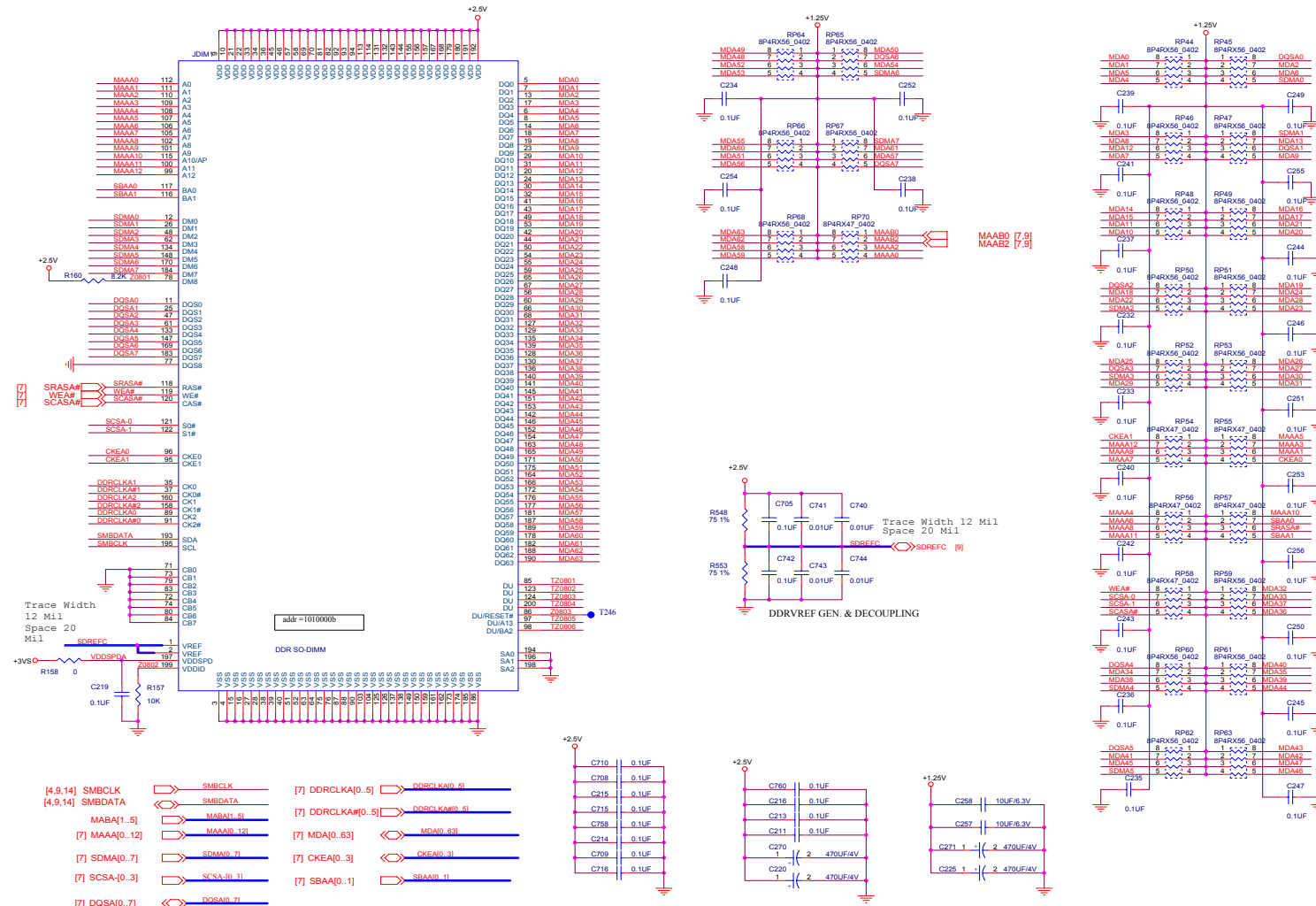
Sheet 6 of 29
GMC-2
Power

GMCH-3 DDR

Sheet 7 of 29
GMCH-3
DDR

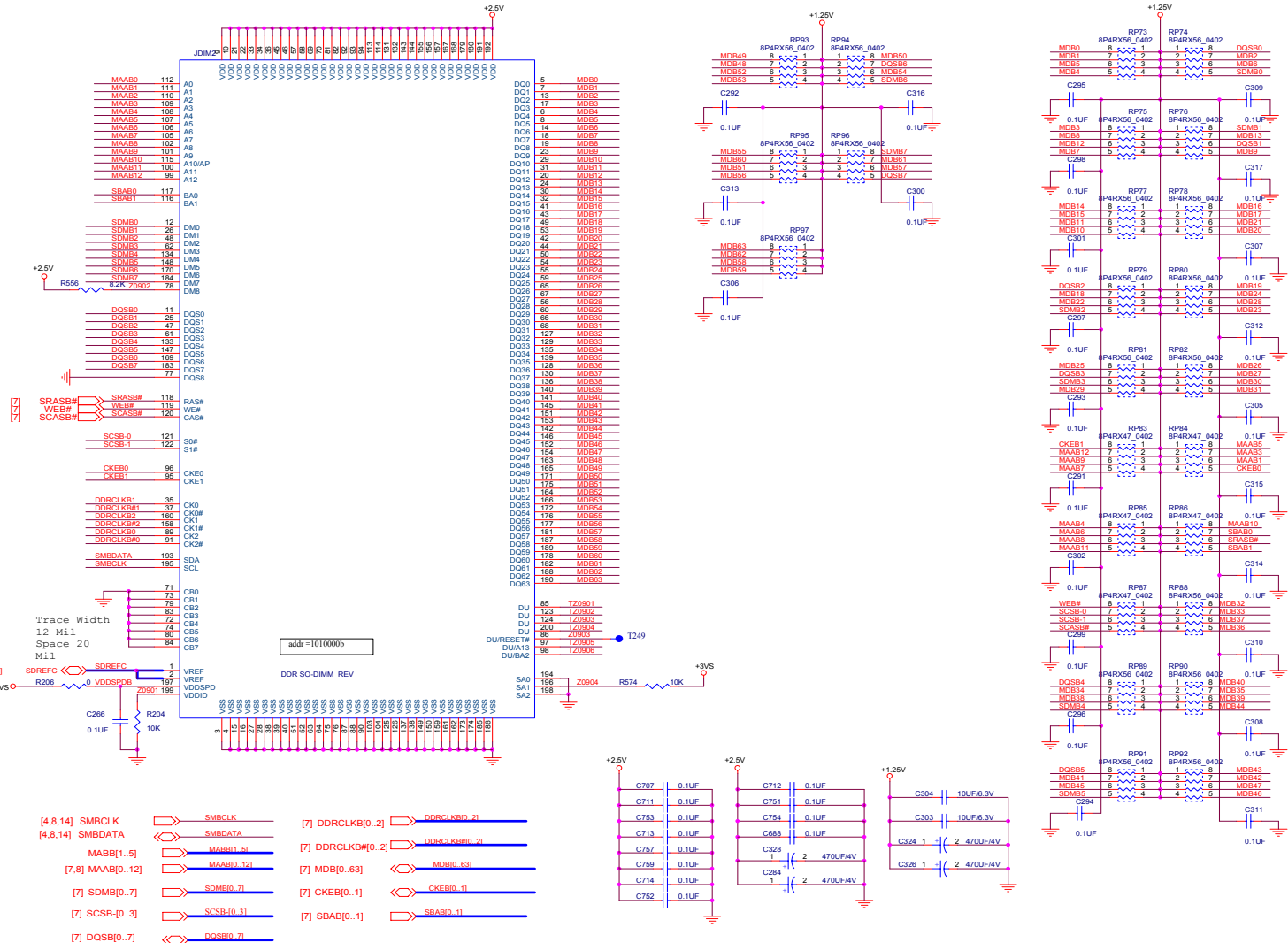


DIMMA



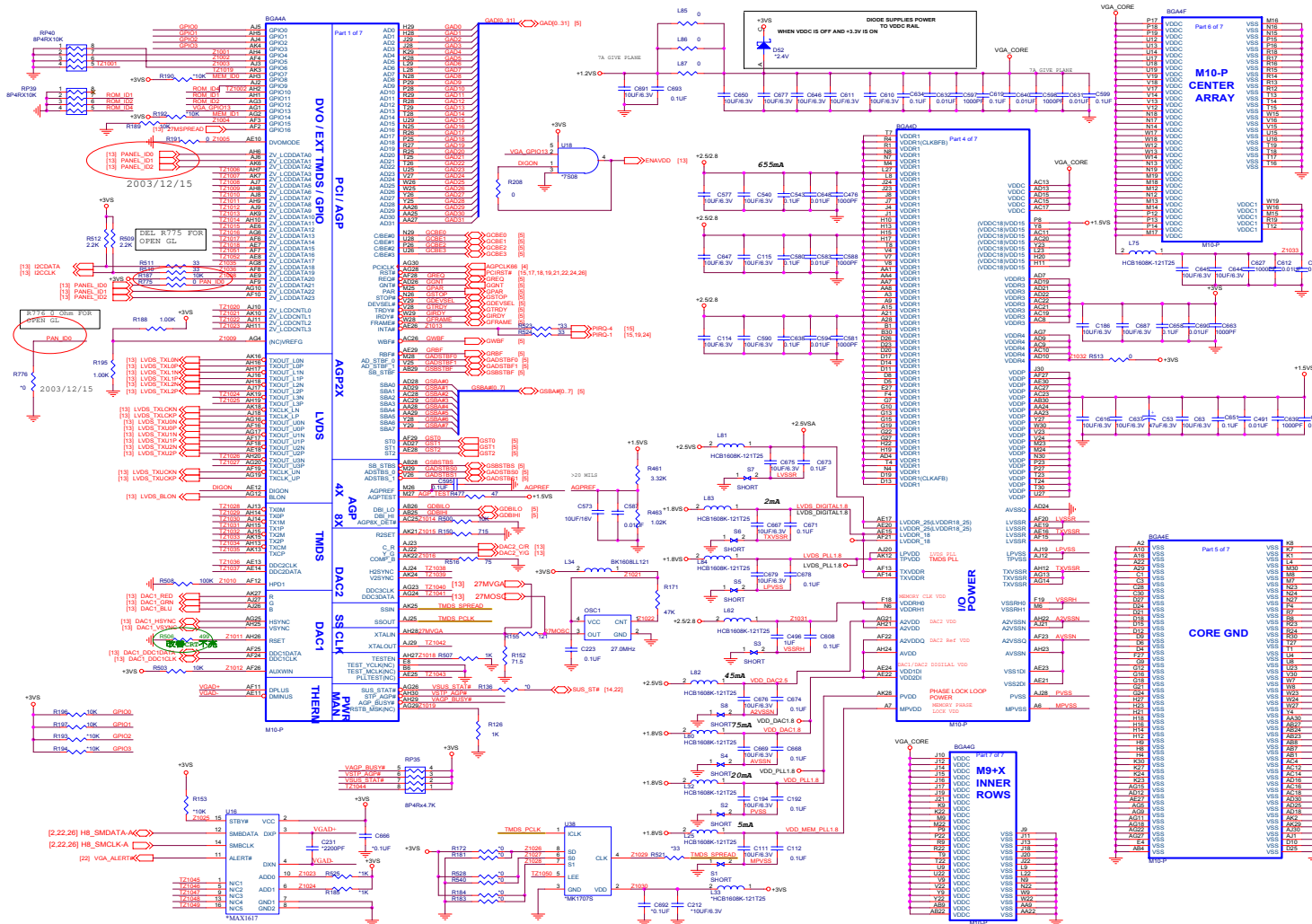
Schematic Diagrams

DIMMB



B - 10 DIMMB (71-D50E0-D03)

AGP/ POWER



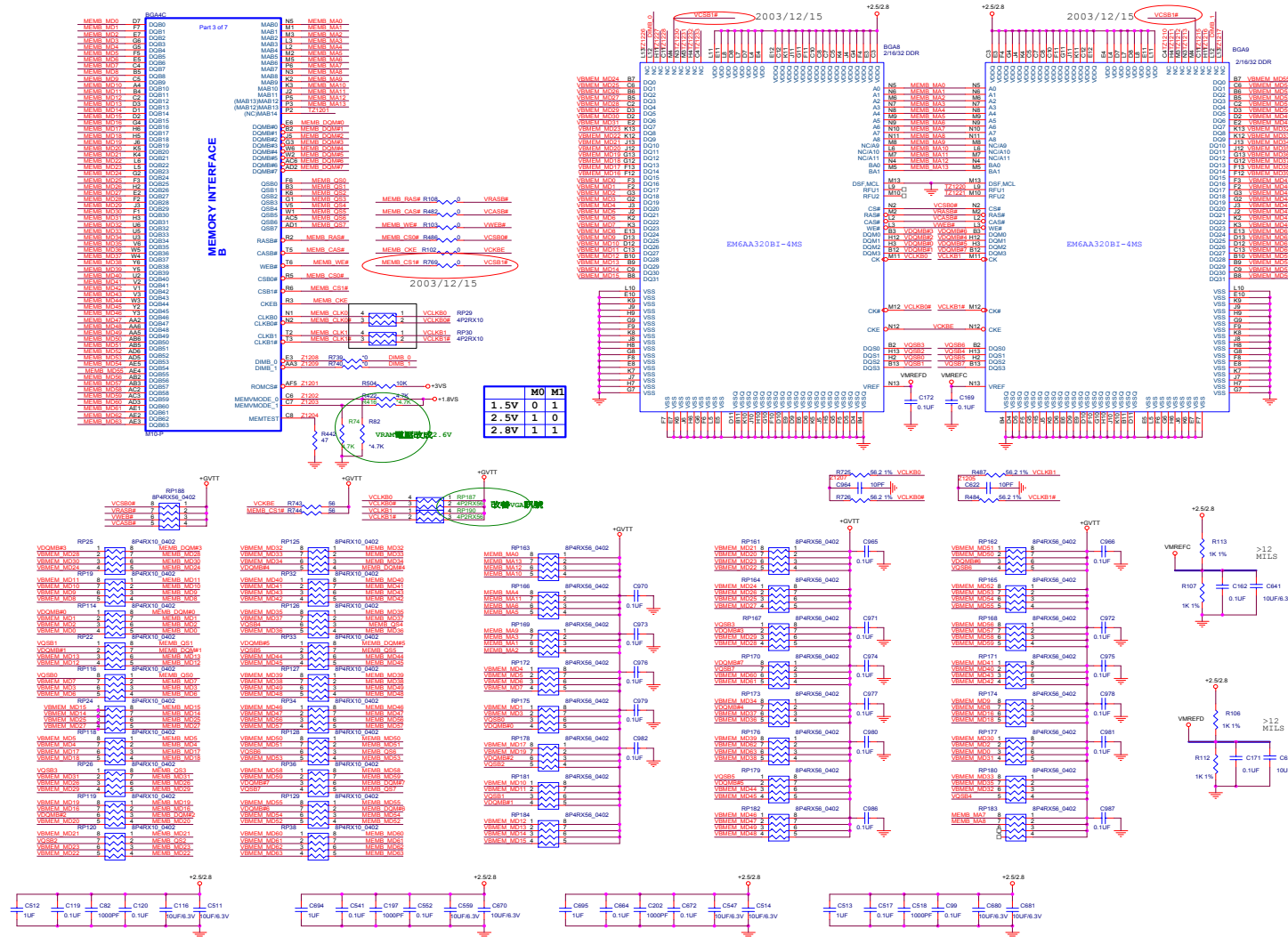
Sheet 10 of 29
AGP/ POWER

Schematic Diagrams

GMC-2

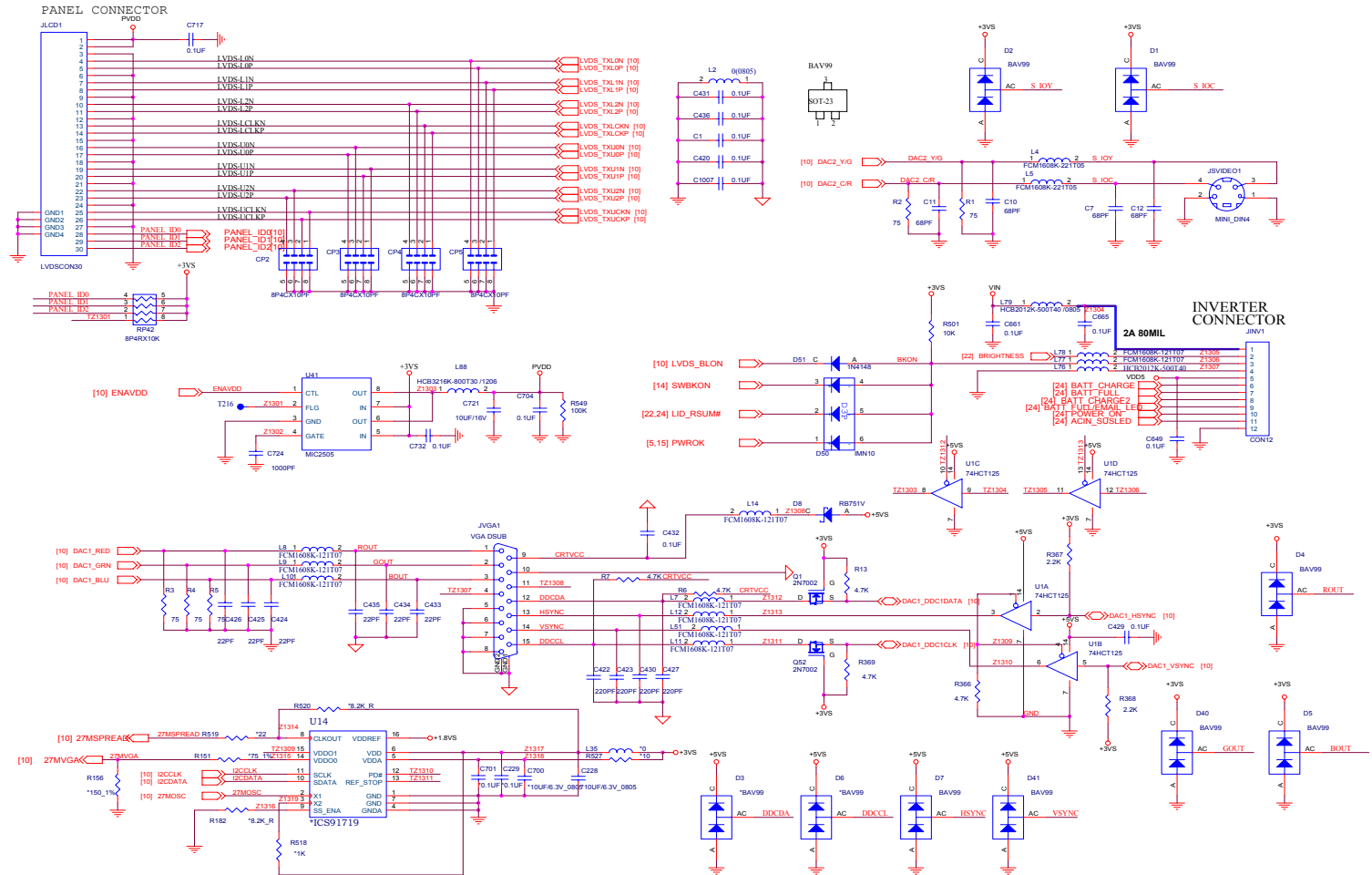
Schematic Diagrams

Sheet 12 of 29
GMC-2



VGA Connector

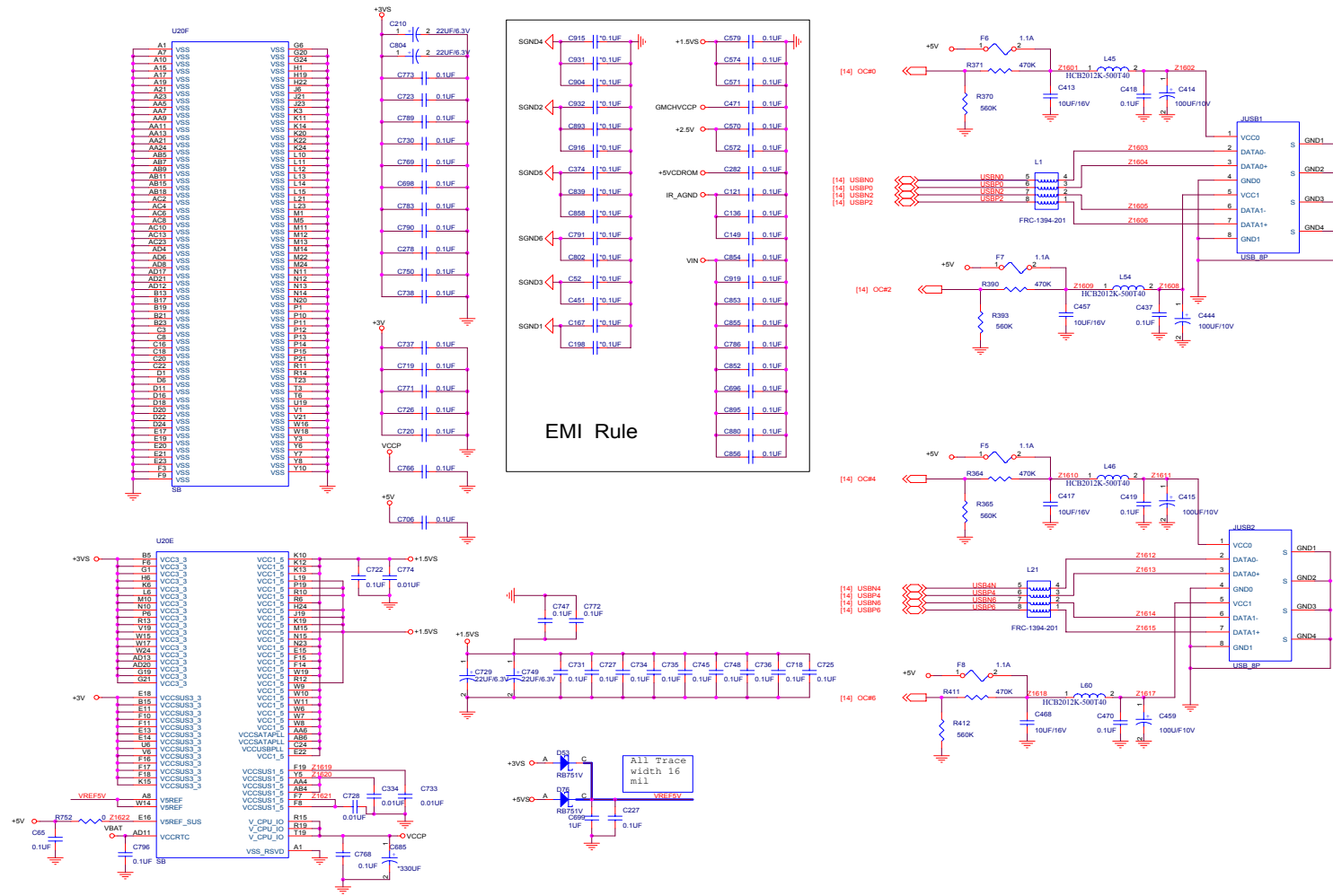
Sheet 13 of 29
VGA Connector



ICH5 (3 of 3)

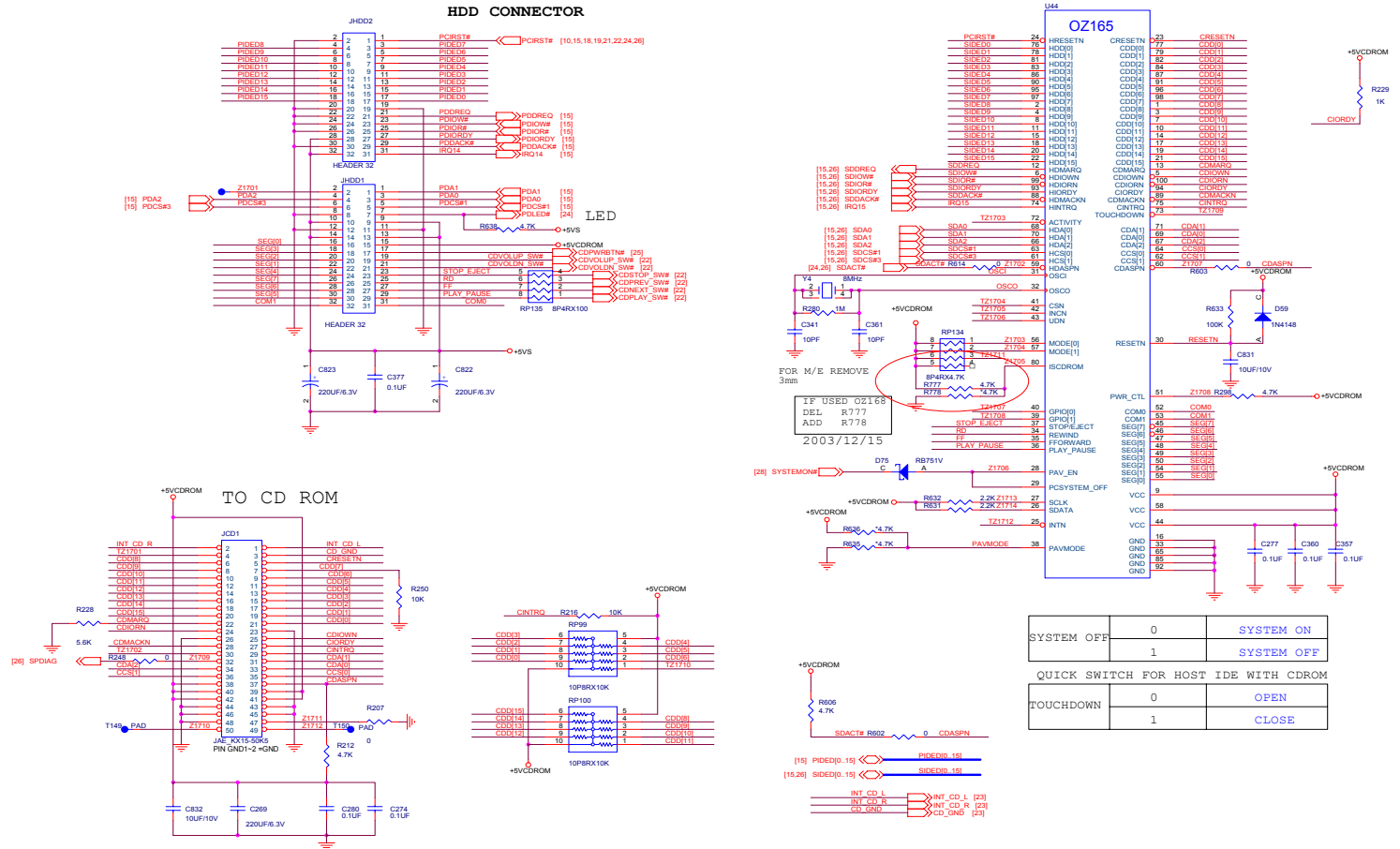
Schematic Diagrams

Sheet 16 of 29
ICH5
3 of 3

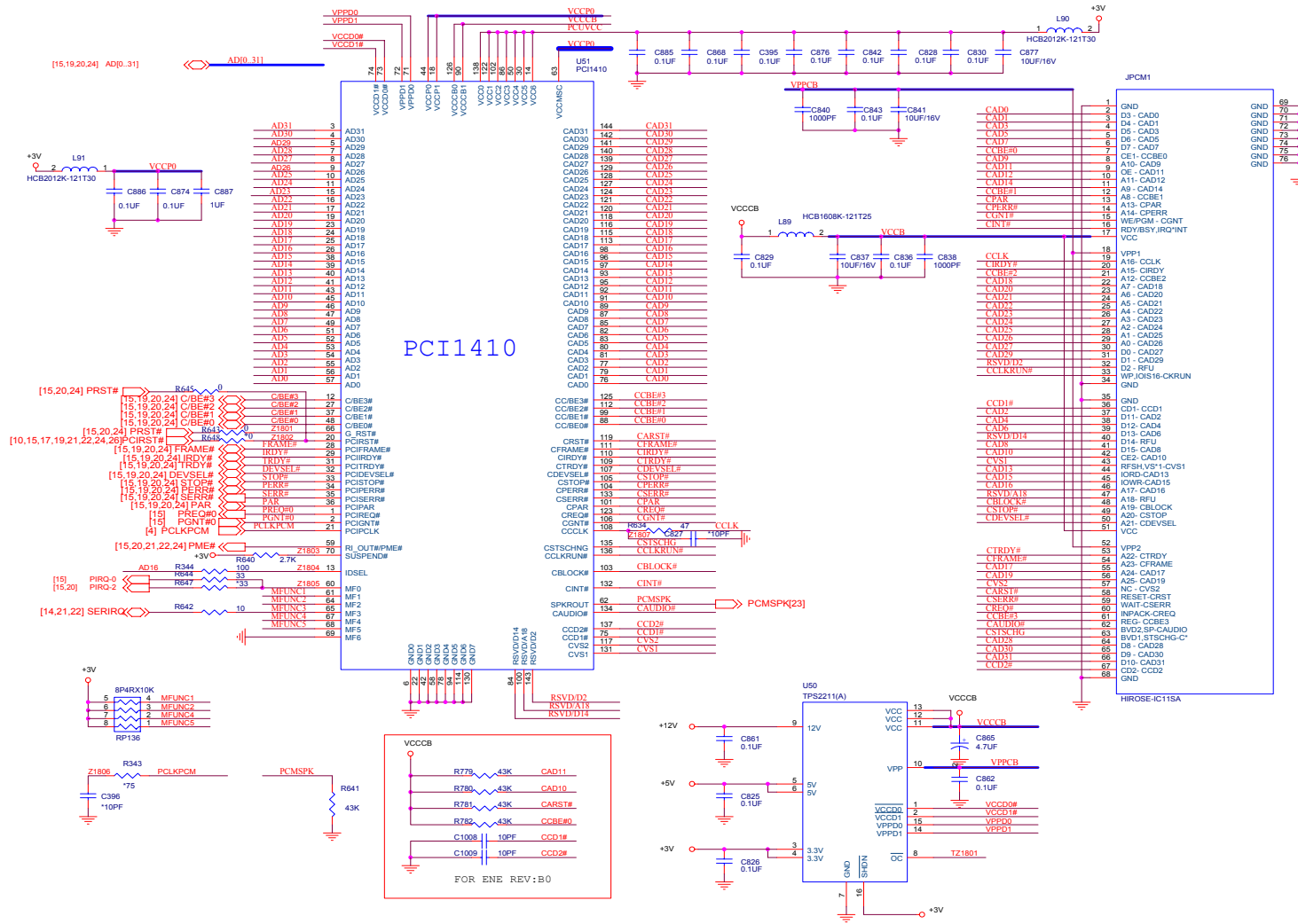


HDD/CD-ROM/FDD

Sheet 17 of 29
HDD/CD-ROM/FDD



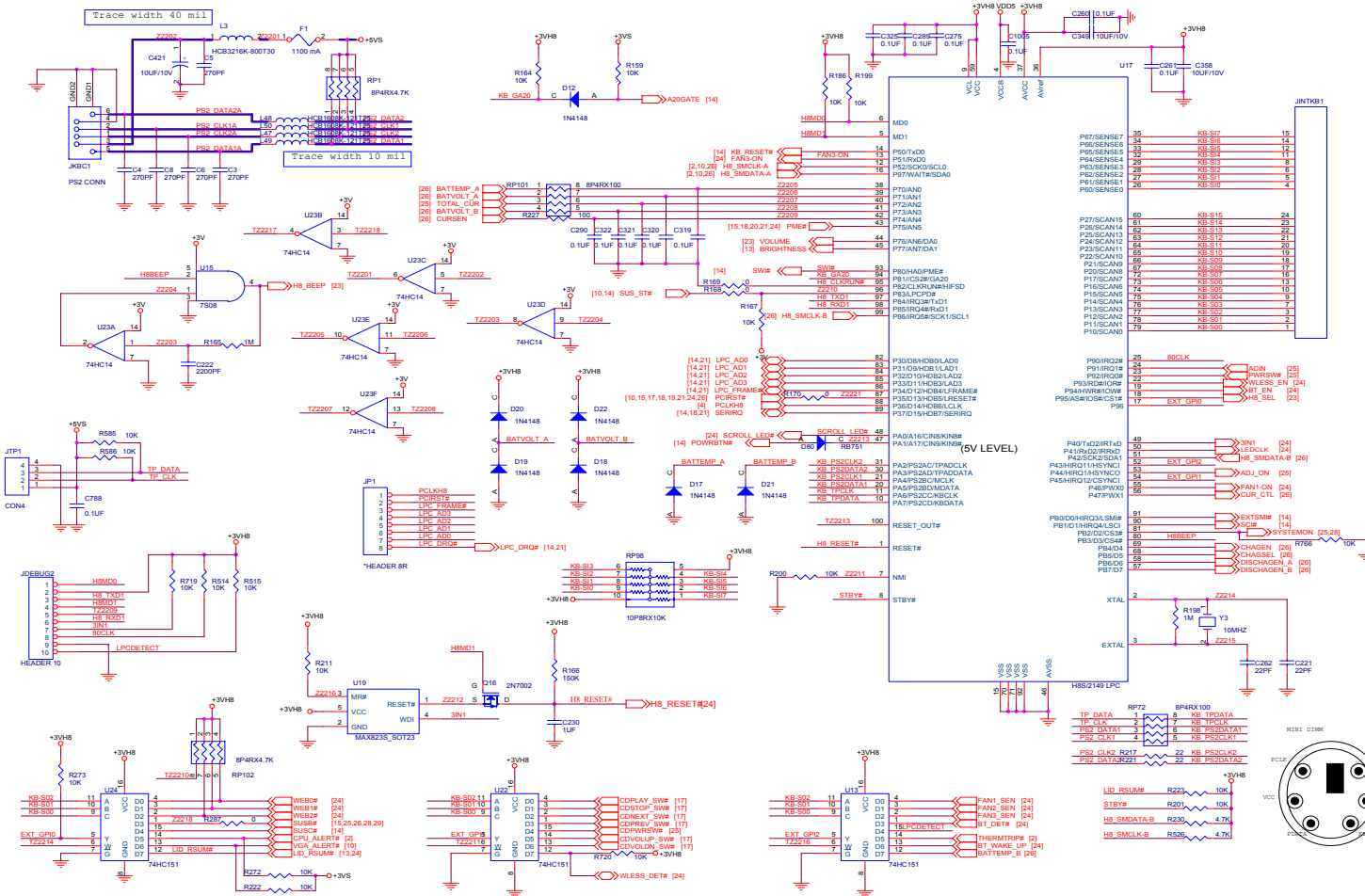
PCI 1410



Sheet 18 of 29
PCI 1410

Schematic Diagrams

LPC H8

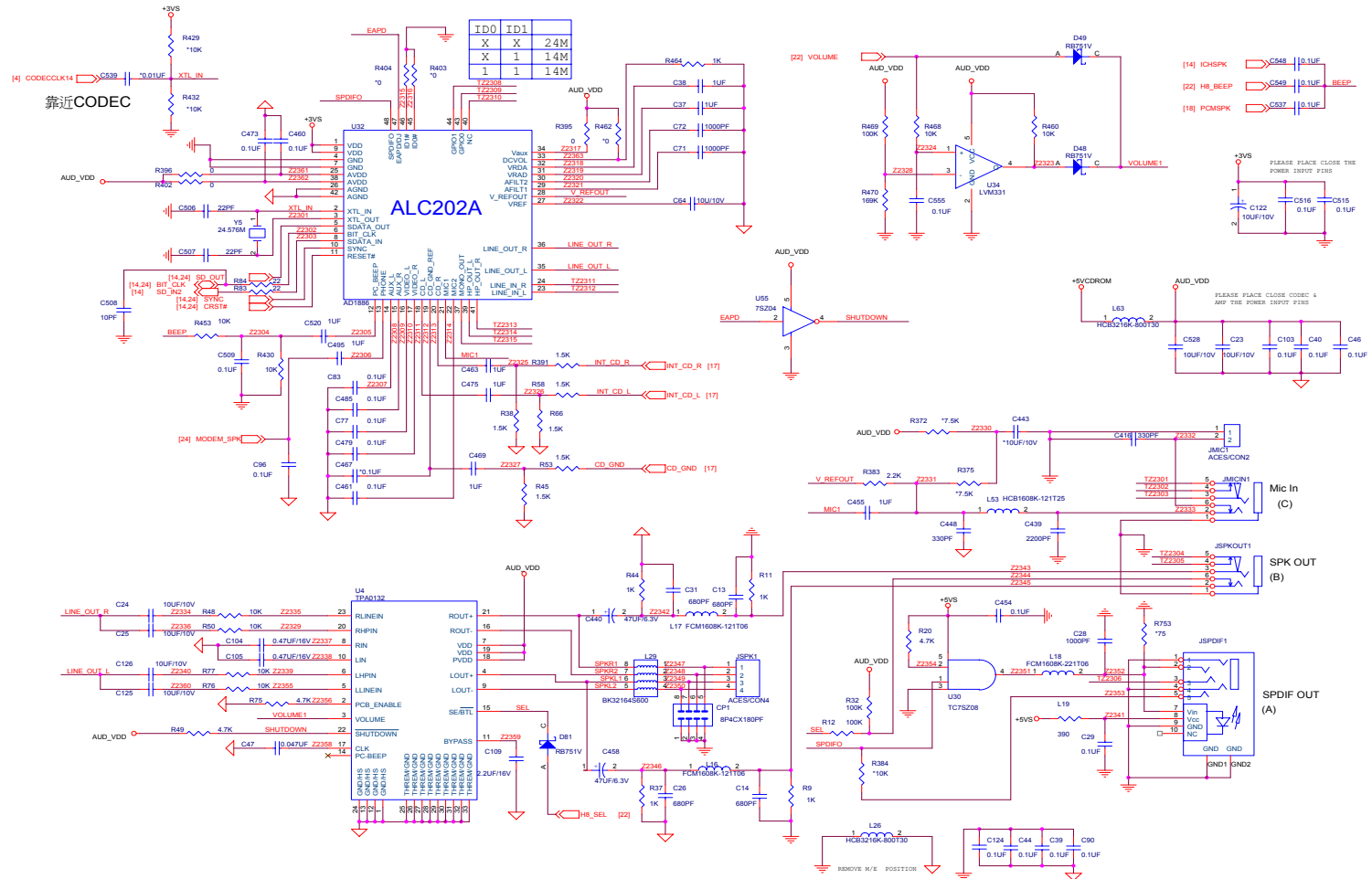


Sheet 22 of 29
LPC H8

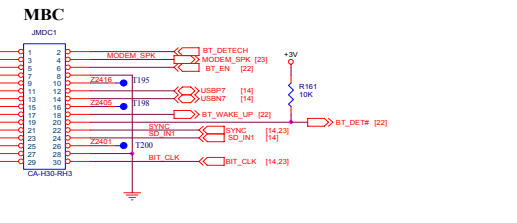
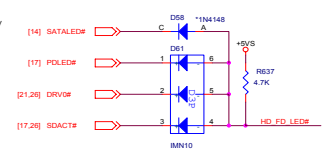
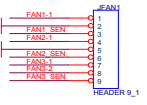
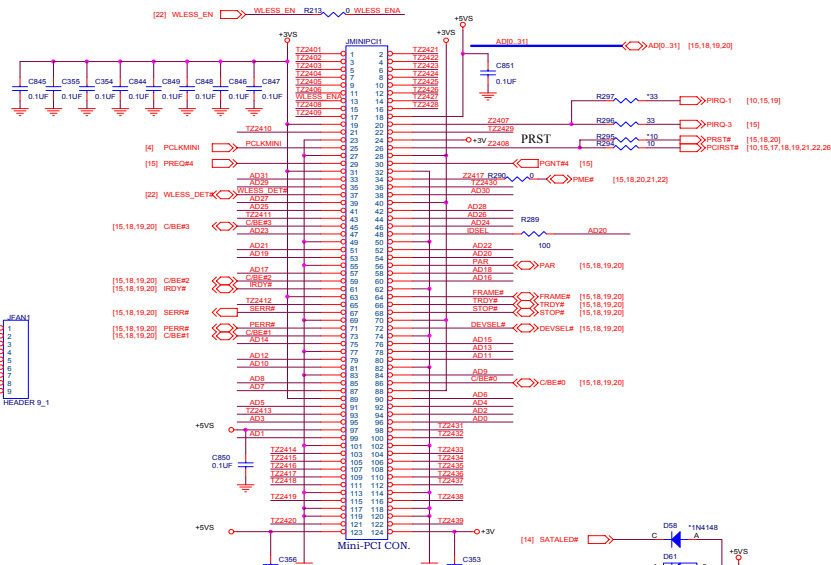
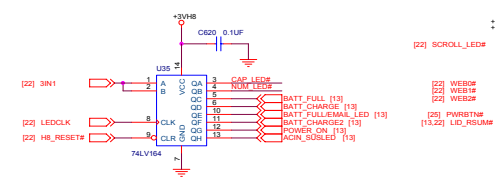
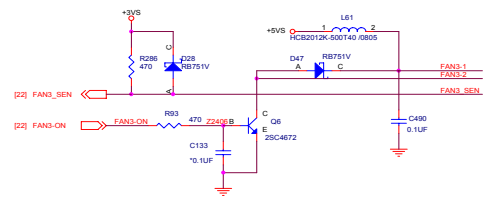
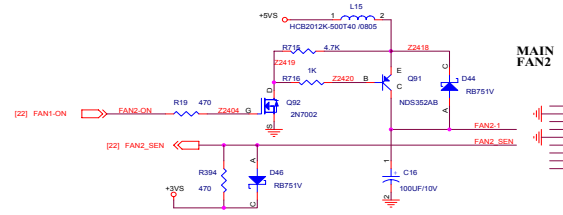
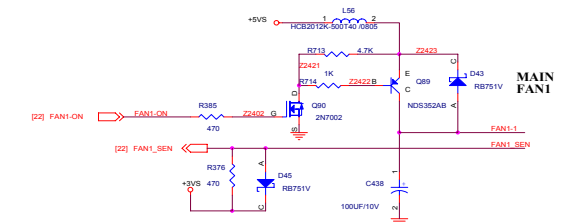
Schematic Diagrams

AC'97 Codec

Sheet 23 of 29
AC'97 Codec



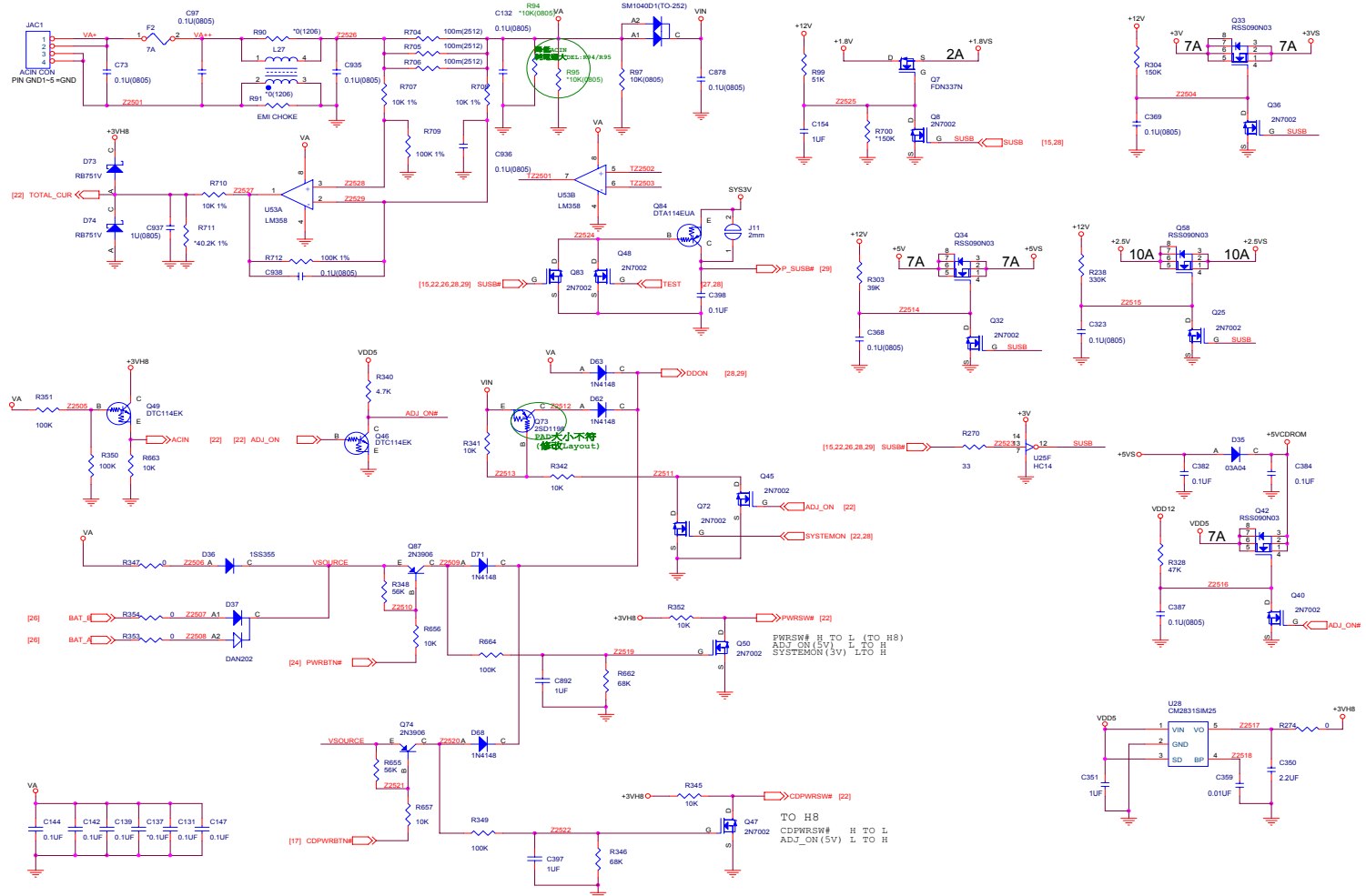
FAN/MBC/Mini PCI



Sheet 24 of 29
FAN/MBC/Mini PCI

Schematic Diagrams

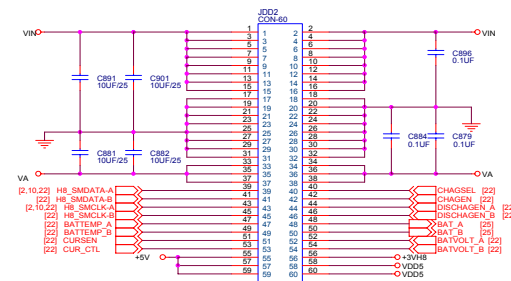
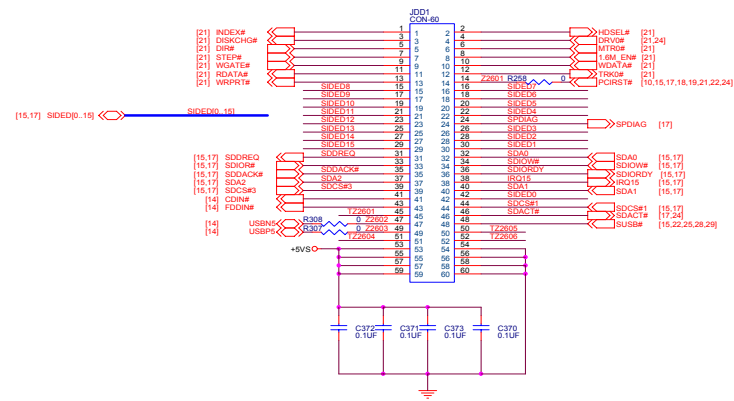
ACIN; PWR Button



Sheet 25 of 29
ACIN; PWR Button

Schematic Diagrams

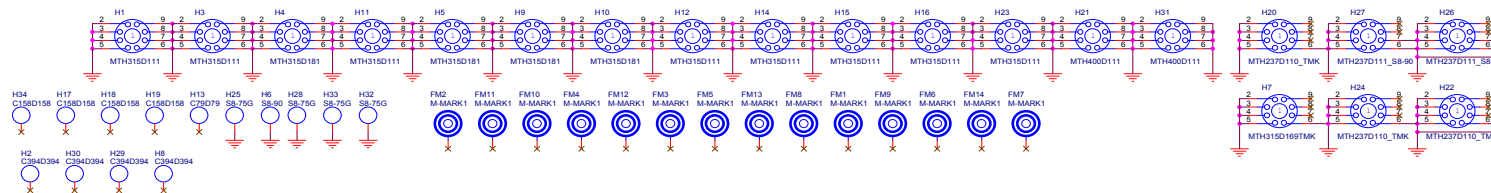
D/D Conn



Sheet 26 of 29
D/D Conn

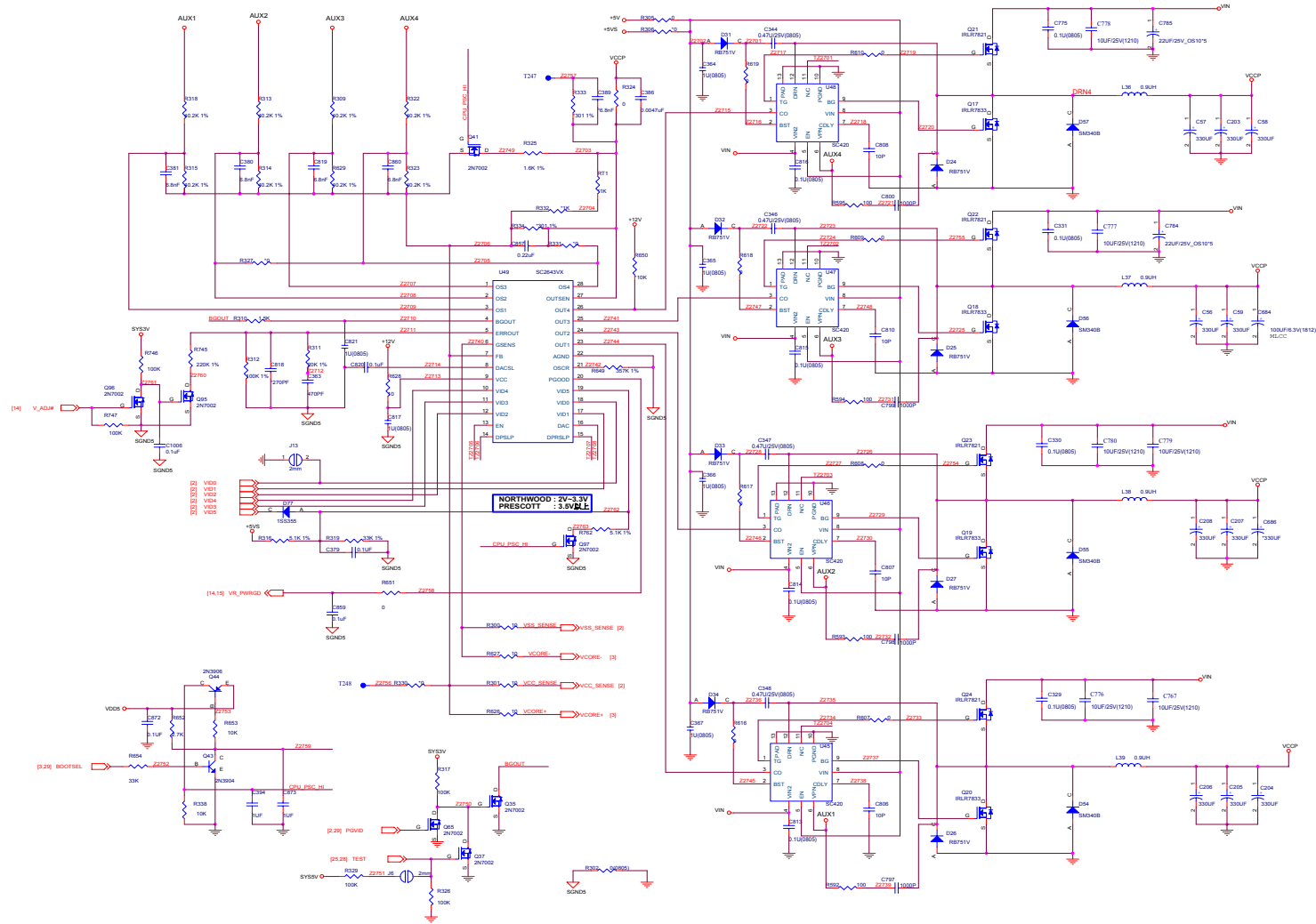
JDD1

JDD2



VCORE

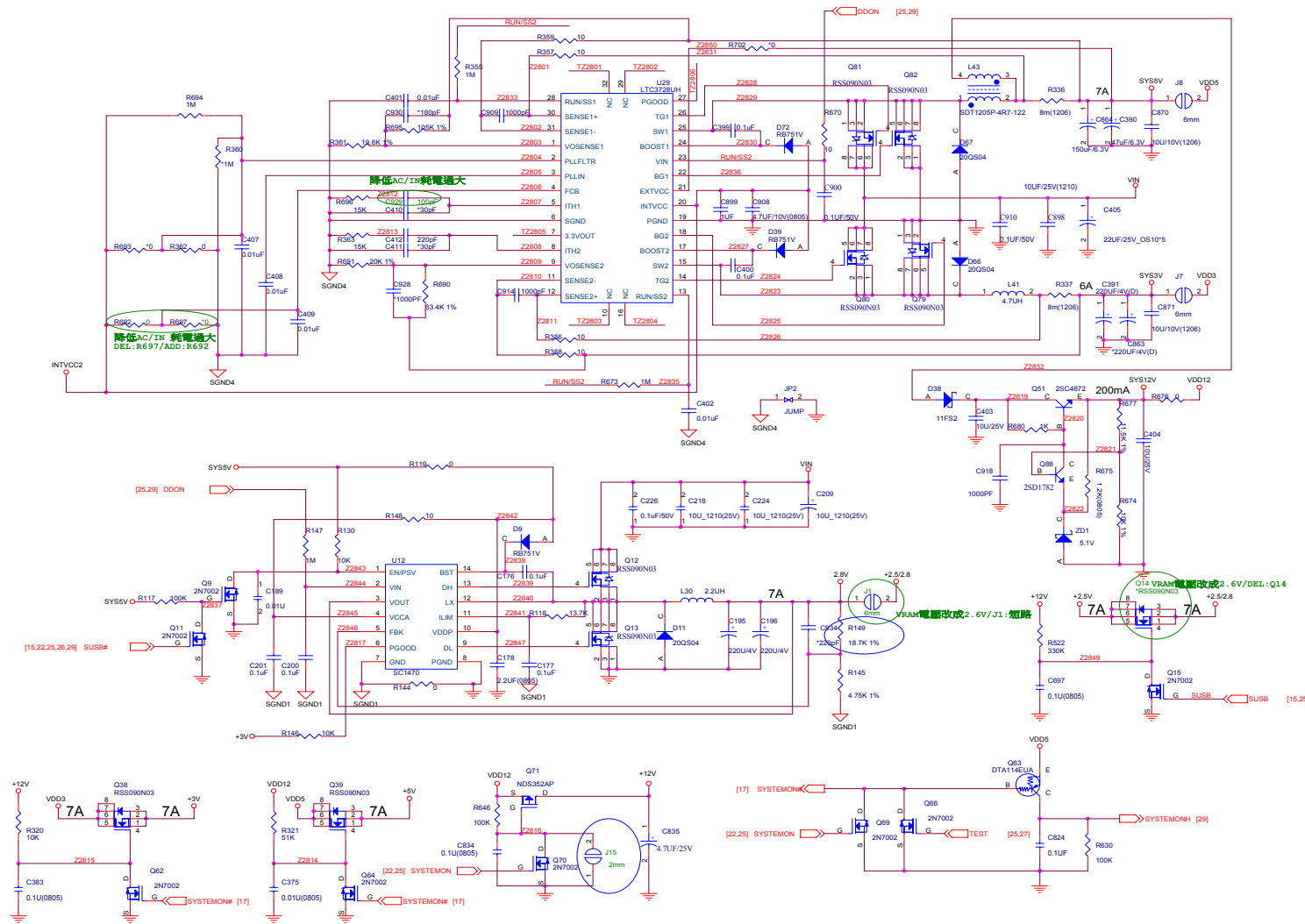
Sheet 27 of 29
VCORE



System Power 1

Schematic Diagrams

Sheet 28 of 29
System Power 1



Appendix C: Installing Optional Module

Overview

This chapter provides instructions for installing optional modules.

We suggest you completely review any procedure before you take the computer apart.


To make the assembly process easier each section may have a box in the page margin. Information contained under the Figure # will give a synopsis of the sequence of procedures involved in the disassembly/assembly procedure. A box with a  lists the relevant parts you will have after any disassembly process is complete.

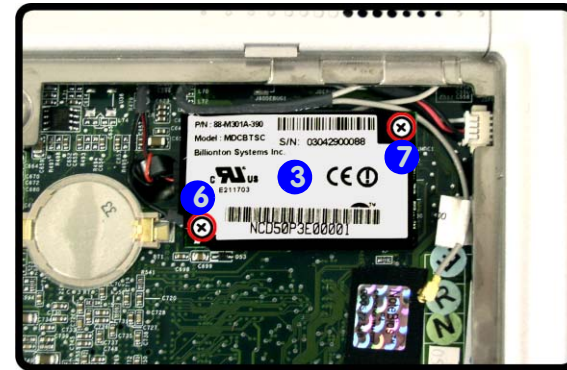
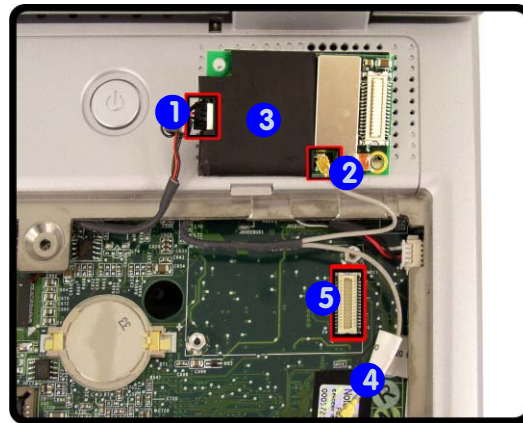
Figure C - 1
**Bluetooth
 Modem
 Installation
 Sequence**

Connect the modem cable and put the modem module on the mainboard and secure the screws.

Installing a Bluetooth Modem

Installation procedure for computers with Bluetooth modem and wireless LAN module.

1. Turn the computer **OFF**.
2. Remove the keyboard (*page 2 - 11*), shielding plate (*page 2 - 12*) and modem (*page 2 - 15*).
3. Connect the modem cable ① and the shorter antenna cable ② to the Bluetooth modem combo module ③.
4. Connect the longer antenna cable ④ to the wireless LAN "MAIN" socket (*see "802.11b+g Wireless LAN Installation Sequence" on page C - 3* or *"802.11a+b+g Wireless LAN Installation Sequence" on page C - 4*).
5. Carefully place the combo module on the modem connector ⑤ of the mainboard and secure screws ⑥ - ⑦.
6. Replace the shielding plate (*page 2 - 12*) and keyboard (*page 2 - 11*) by reversing the disassembly procedure.



3. Bluetooth modem
 combo

- 2 Screws

Installing the 802.11b+g Wireless LAN

Installation procedure for computers with Bluetooth modem and wireless LAN module.

1. Turn the computer **OFF**.
2. Remove the keyboard ([page 2 - 11](#)), shielding plate ([page 2 - 12](#)).
3. Gently pull latches **1** & **2** in the direction of the arrows and carefully place the wireless LAN module **3** in the mainboard's module socket.
4. Connect the longer antenna cable **4** to the "J1" socket of the wireless LAN module .
5. Replace the shielding plate ([page 2 - 12](#)) and keyboard ([page 2 - 11](#)) by reversing the disassembly procedure.

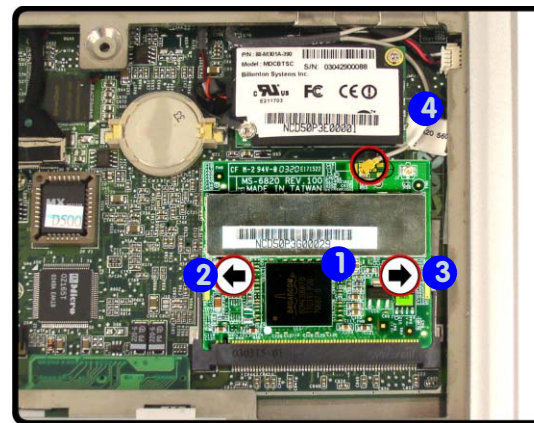
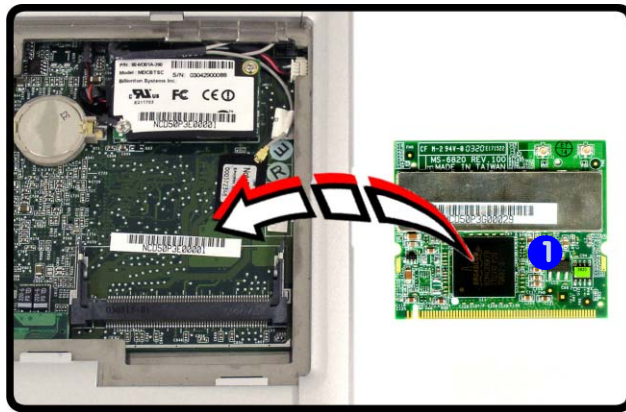


Figure C - 2
**802.11b+g
Wireless LAN
Installation
Sequence**

Pull the latches, place the module on the mainboard, and connect the cable.

Note: If the computer is using a standard MDC modem module, the shorter (MAIN/ J1) and longer (AUX/ J2) antenna cables should be connected to the wireless LAN module.

Optional Modules



1. 802.11bWireless LAN module

Figure C - 3
**802.11a+b+g
 Wireless LAN
 Installation
 Sequence**

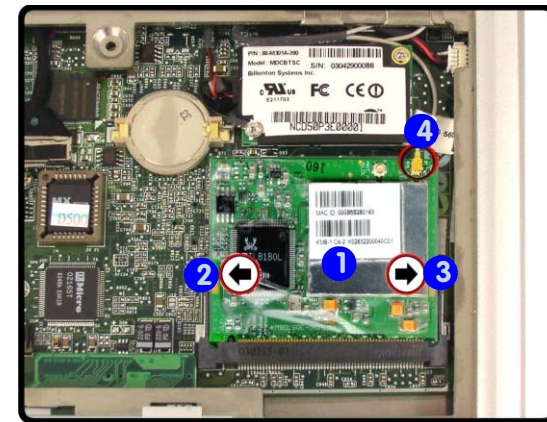
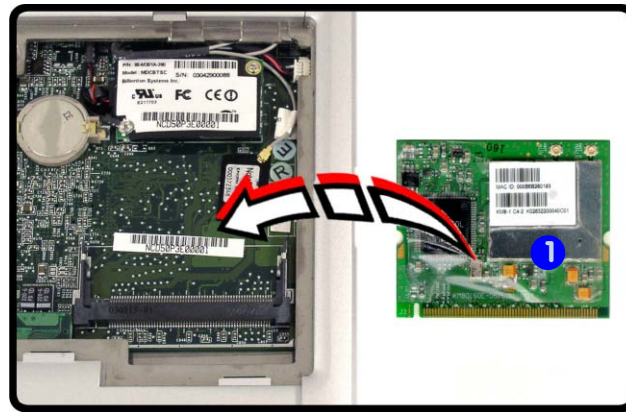
Pull the latches, place the module on the mainboard, and connect the cable.

Note: If the computer is using a standard MDC modem module, the shorter (MAIN/ J1) and longer (AUX/ J2) antenna cables should be connected to the wireless LAN module.

Installing the 802.11a+b+g Wireless LAN

Installation procedure for computers with Bluetooth modem and wireless LAN module.

1. Turn the computer **OFF**.
2. Remove the keyboard ([page 2 - 11](#)), shielding plate ([page 2 - 12](#)).
3. Gently pull latches **1** & **2** in the direction of the arrows and carefully place the wireless LAN module **3** in the mainboard's module socket.
4. Connect the longer antenna cable **4** to the "MAIN" socket of the wireless LAN module .
5. Replace the shielding plate ([page 2 - 12](#)) and keyboard ([page 2 - 11](#)) by reversing the disassembly procedure.



1. 802.11g Wireless LAN module