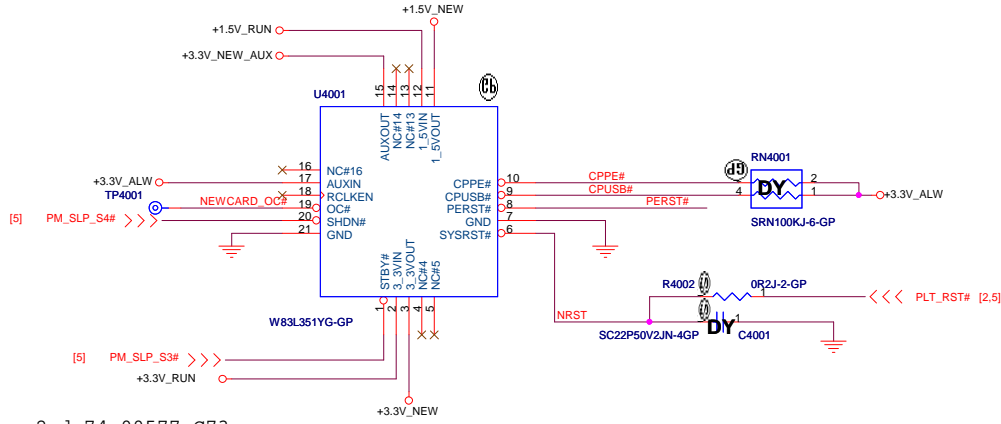


**SSID = ExpressCard**

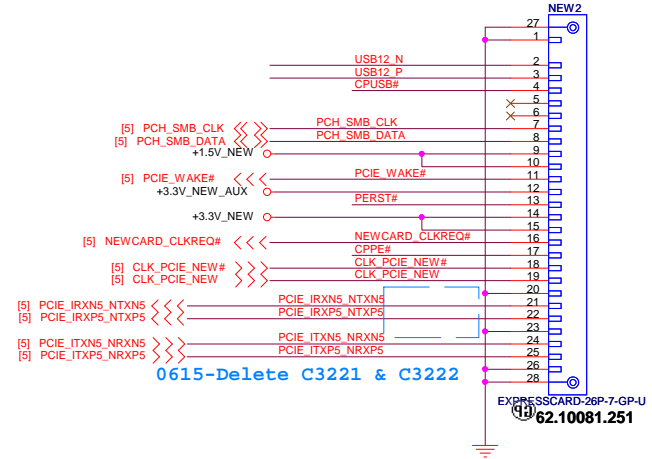
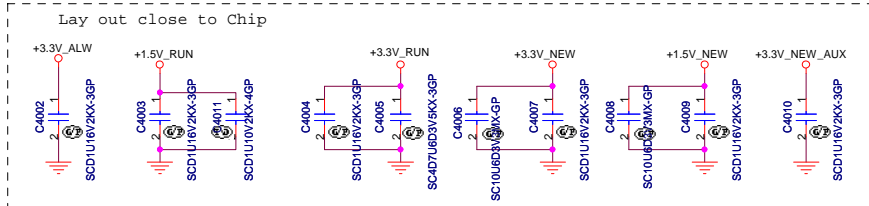
Project code: 91.4RU01.001  
 PCB P/N : 48.4RU01.0SA  
 REVISION : 09660-SA

0721  
 check NEW2 on top side or bottom side.

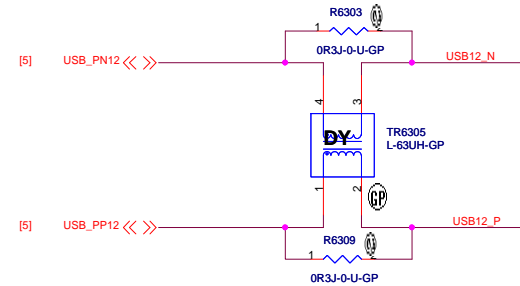


2nd 74.00577.C73

+1.5V\_NEW Max. 650mA, Average 500mA.  
 +3.3V\_NEW Max. 1300mA, Average 1000mA  
 +3.3V\_NEW\_AUX Max. 275mA



0615-Delete C3221 & C3222

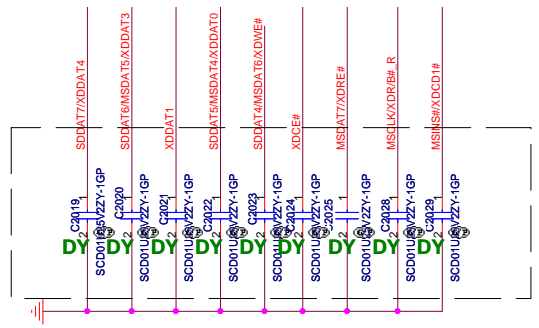
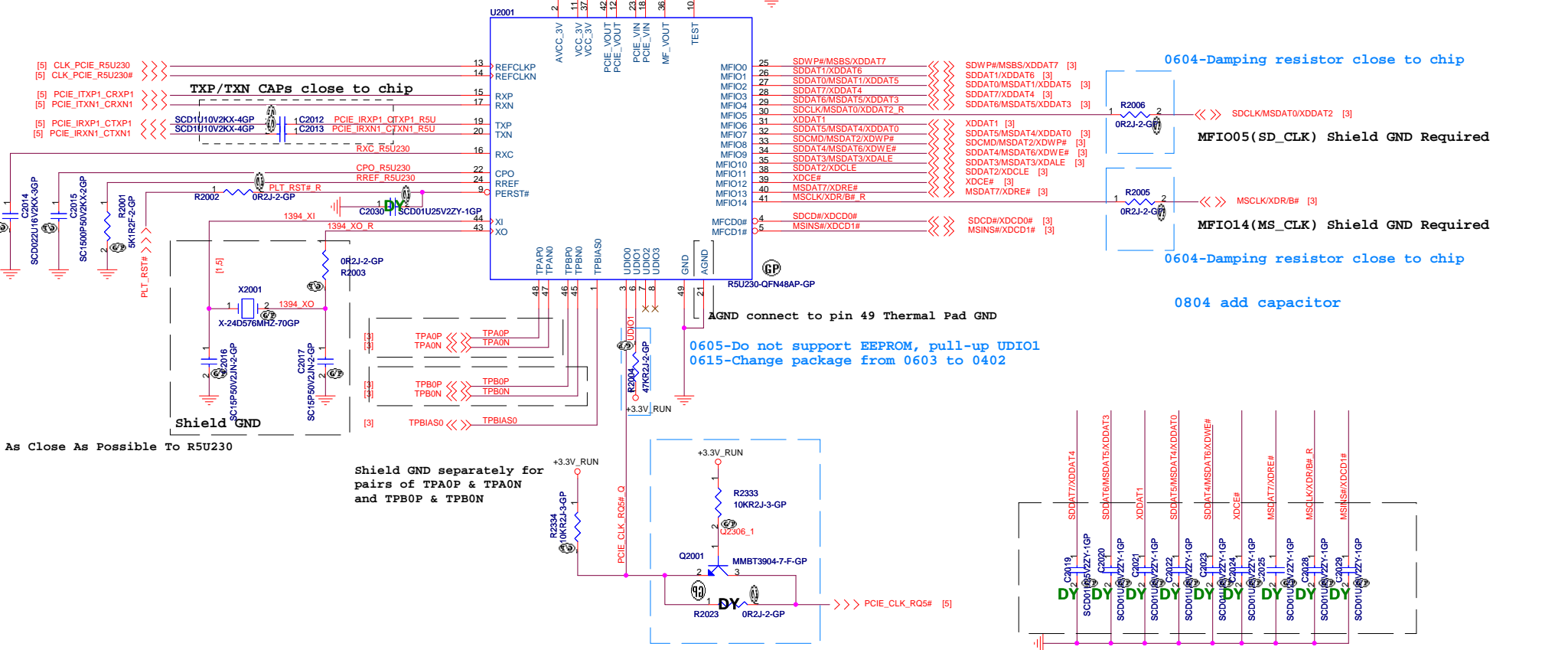
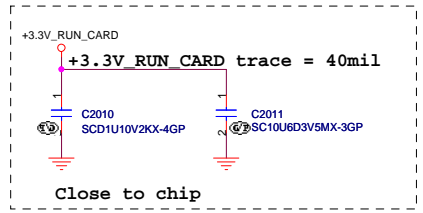
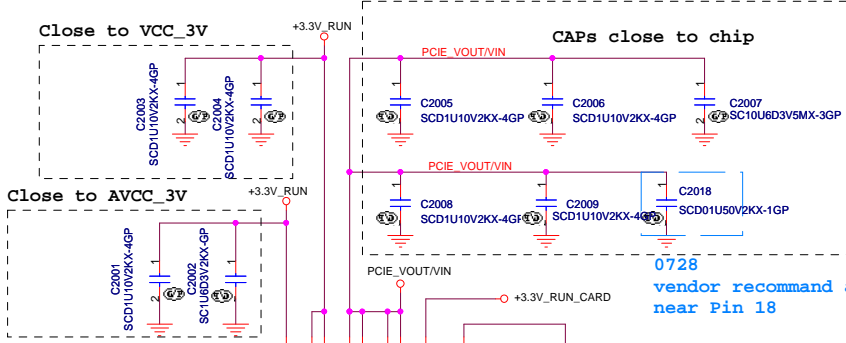


<Core Design>

**DELL** Wistron Corporation  
 21F, 88, Sec. 1, Hsin Tai Wu Rd., Hsichih,  
 Taipei Hsien 221, Taiwan, R.O.C.

Title: **EXPRESS CARD**

Size: A3	Document Number: <b>DW70_I/O_BOARD</b>	Rev: <b>X00</b>
Date: Wednesday, August 26, 2009		Sheet 1 of 6



**Wistron Corporation**  
21F, 88, Sec.1, Hsin Tai Wu Rd., Hsichih, Taipei Hsien 221, Taiwan, R.O.C.

**DELL**

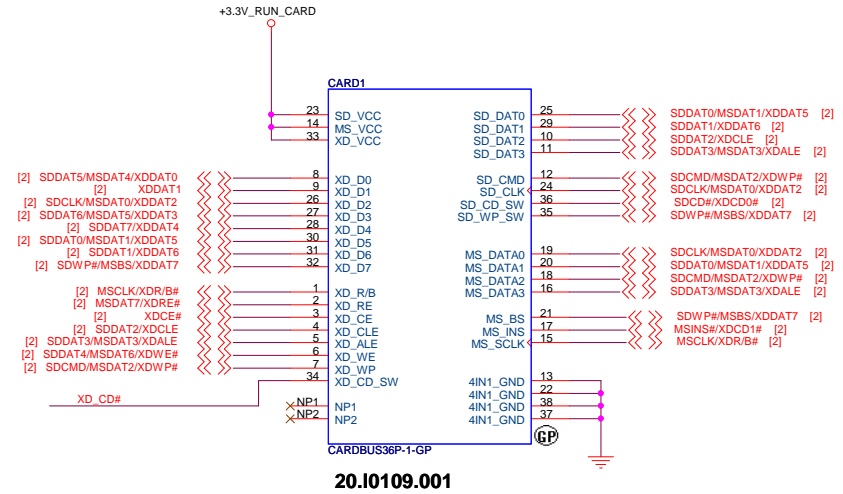
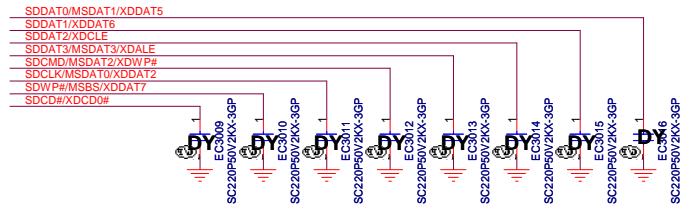
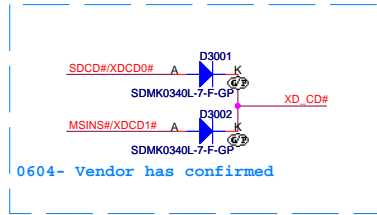
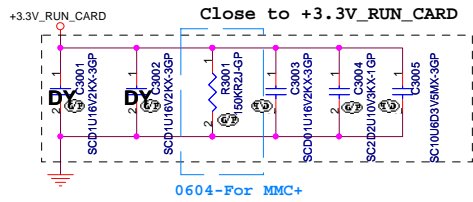
Title: **R5U230 (CARD READER)**

Size: A3 | Document Number: **DW70\_IVO\_BOARD** | Rev: **X00**

Date: Wednesday, August 26, 2009 | Sheet: 2 of 6

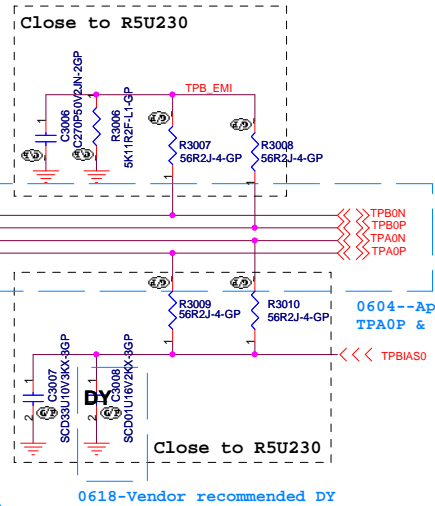
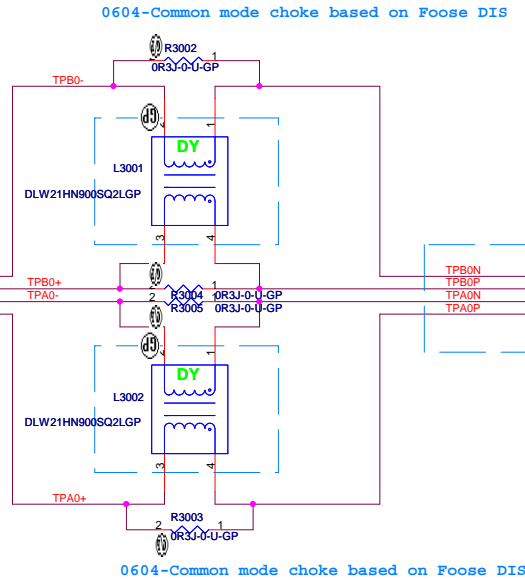
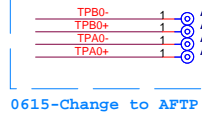
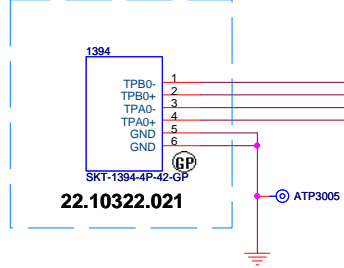
SSID = SDIO

# SD/XD/MS Card Reader



SSID = 1394

0725 change 1394 CONN to follow CONN list



0604--Apply shield GND separately for pairs of TPA0P & TPA0N and TPB0P & TPB0N

<Core Design>

**Wistron Corporation**  
21F, 88, Sec. 1, Hsin Tai Wu Rd., Hsichih,  
Taipei Hsien 221, Taiwan, R.O.C.

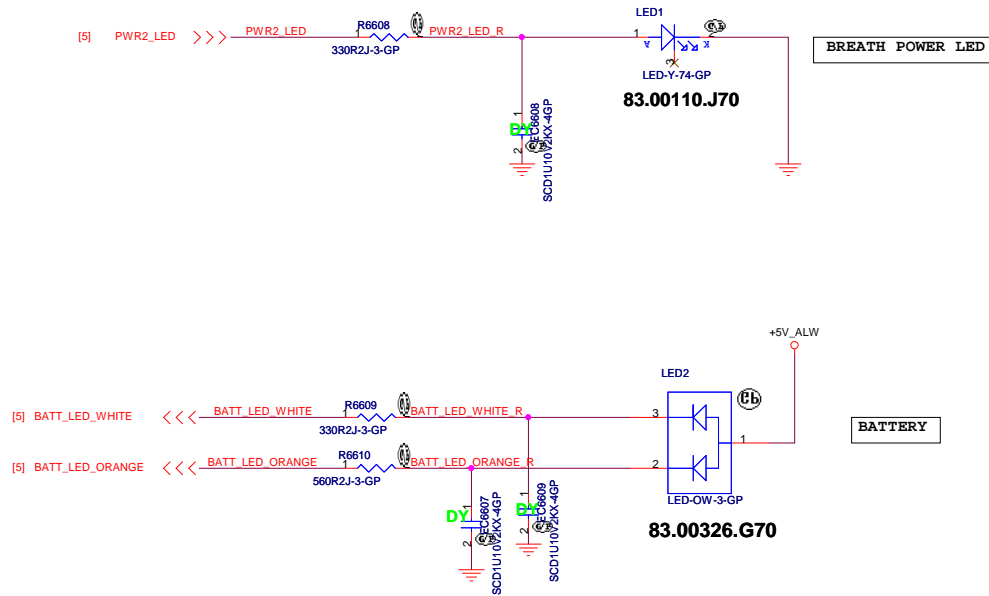
Title **CARD READER/1394 CONN**

Size A3 Document Number **DW70\_I/O\_BOARD** Rev **X00**

Date: Wednesday, August 26, 2009 Sheet 3 of 6

**SSID = User.Interface**

LED Location from left to right  
 POWER      BATTERY



ORANGE / WHITE LED  
 1'nd 83.00326.G70  
 2'nd

WHITE LED  
 1'nd 83.00110.J70  
 2'nd

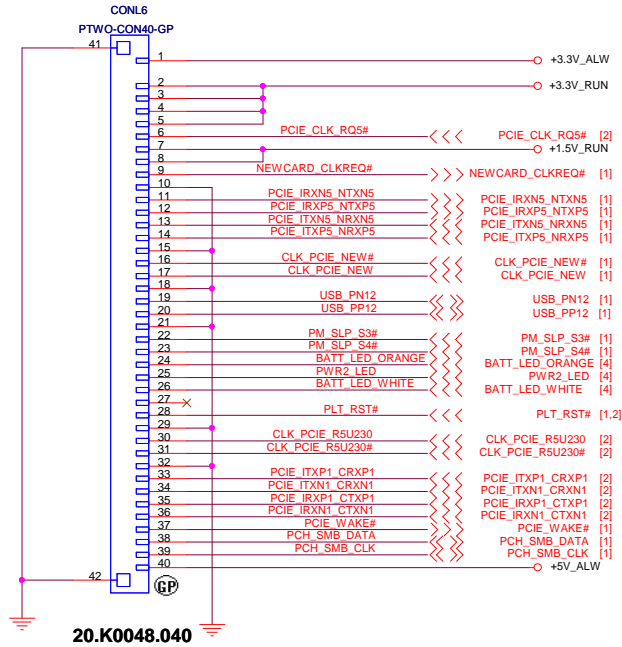
<Core Design>

**DELL** Wistron Corporation  
 21F, 88, Sec. 1, Hsin Tai Wu Rd., Hsichih,  
 Taipei Hsien 221, Taiwan, R.O.C.

Title: **LED**

Size: A3	Document Number: <b>DW70_I/O_BOARD</b>	Rev: <b>X00</b>
Date: Wednesday, August 26, 2009	Sheet: 4	of: 6

Bottom side.



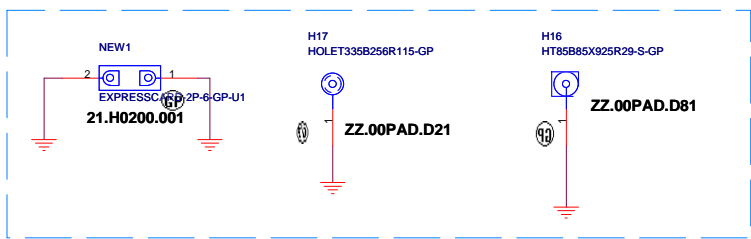
<Core Design>




Title <b>I/O BOARD CONNECTOR</b>		
Size A3	Document Number <b>DW70_I/O_BOARD</b>	Rev <b>X00</b>
Date: Wednesday, August 26, 2009	Sheet 5 of 6	

SSID = Mechanical

0730  
Follow ME CONN List



<Core Design>

			<b>Wistron Corporation</b> 21F, 88, Sec.1, Hsin Tai Wu Rd., Hsichih, Taipei Hsien 221, Taiwan, R.O.C.		
Title: <b>MISCELLANEOUS COMPONENTS</b>					
Size	Document Number				Rev
Custom	<b>DW70_I/O_BOARD</b>				<b>X00</b>
Date:	Wednesday, August 26, 2009	Sheet	6	of	6