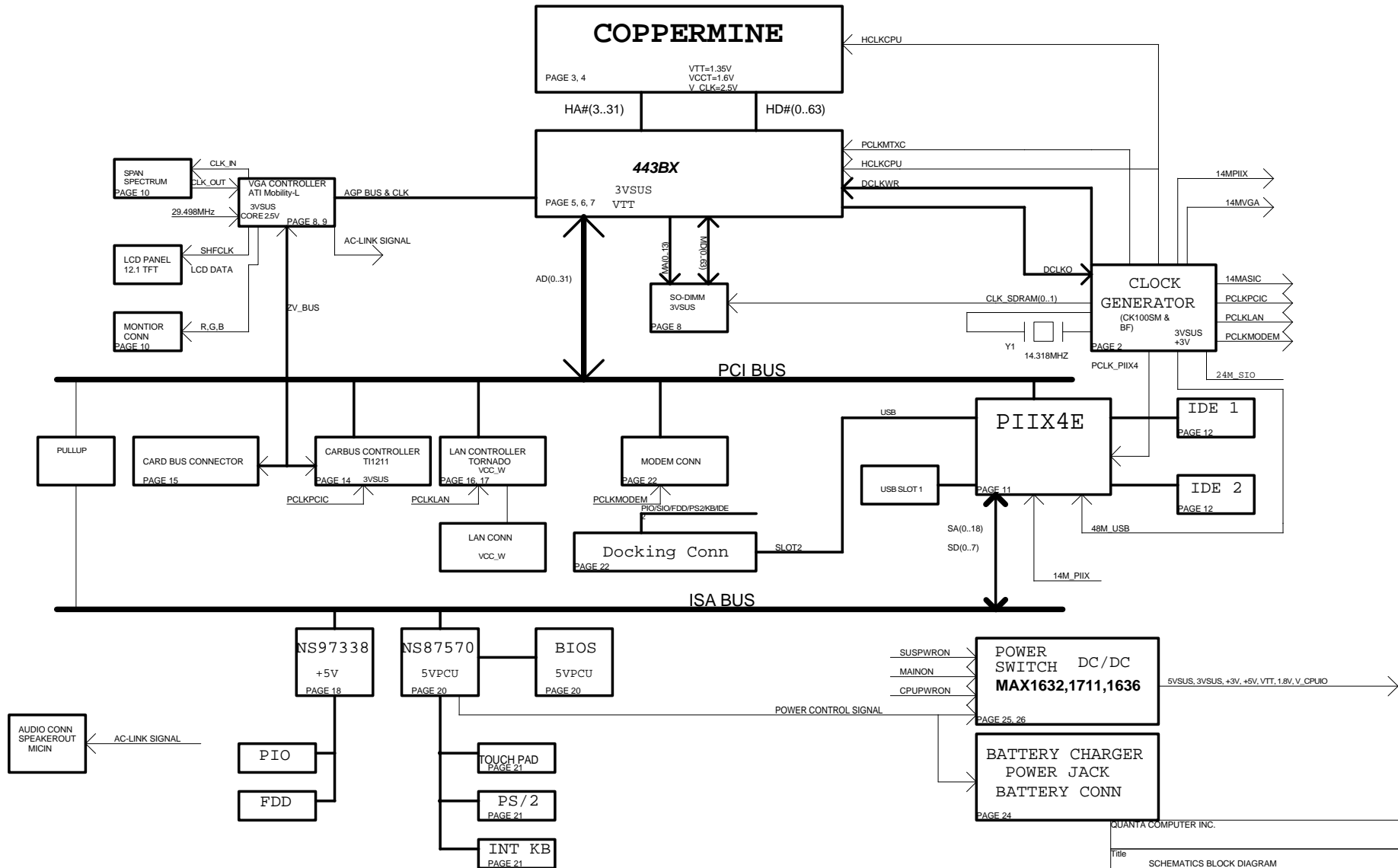
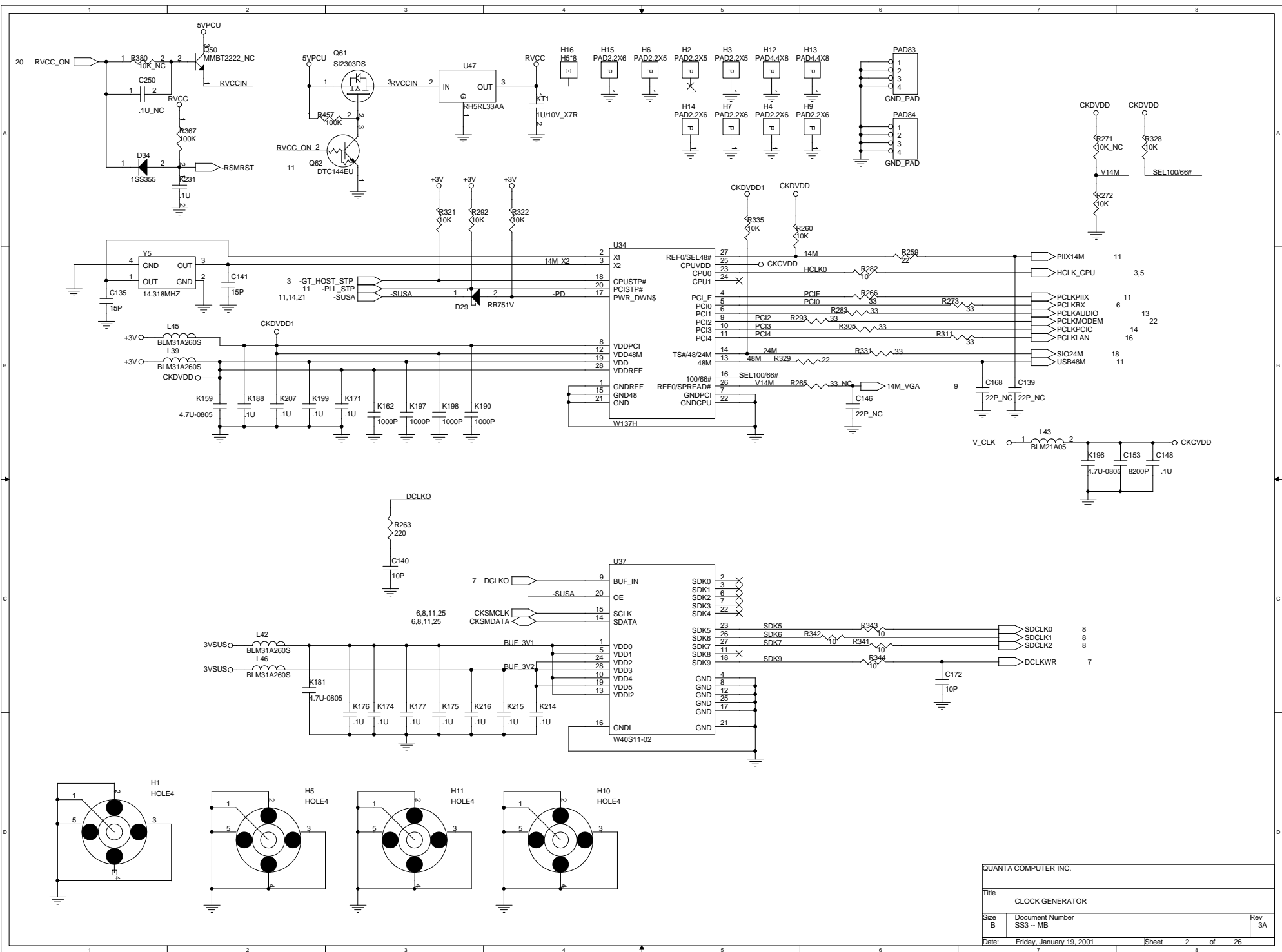


# SS3 3B

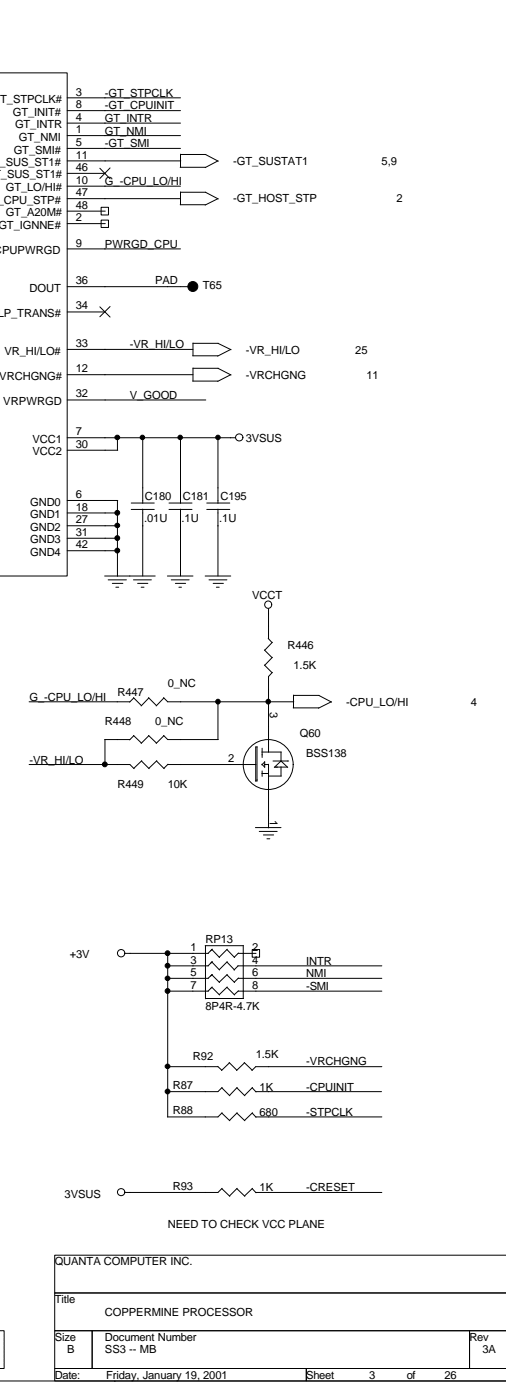
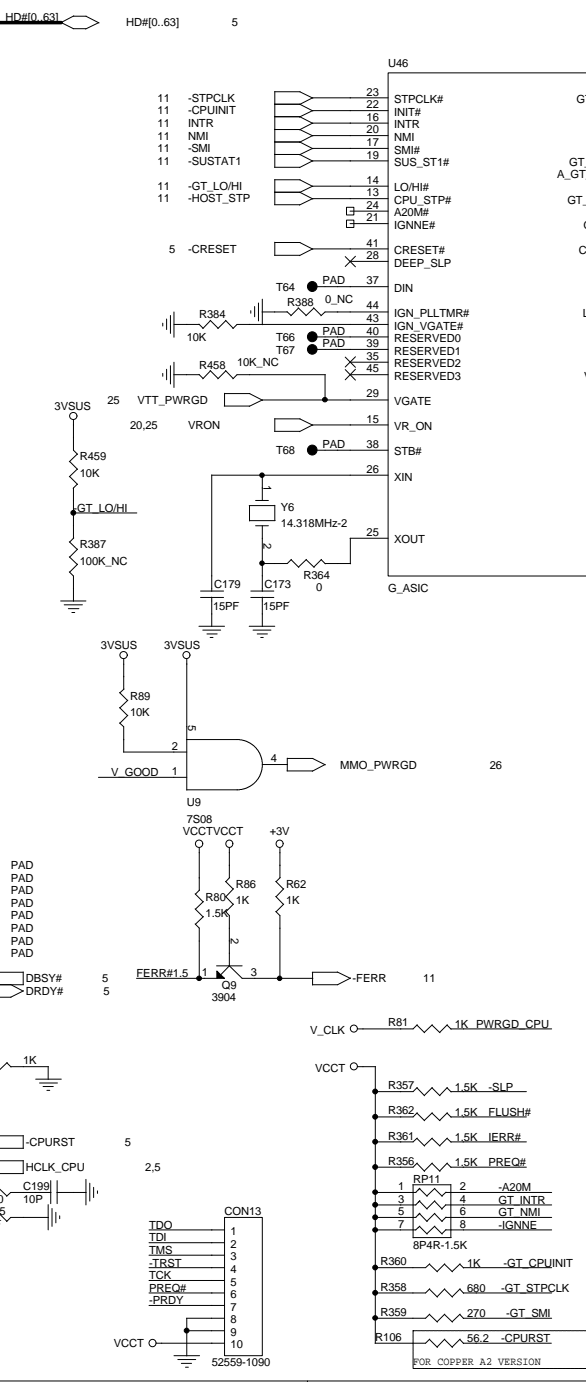
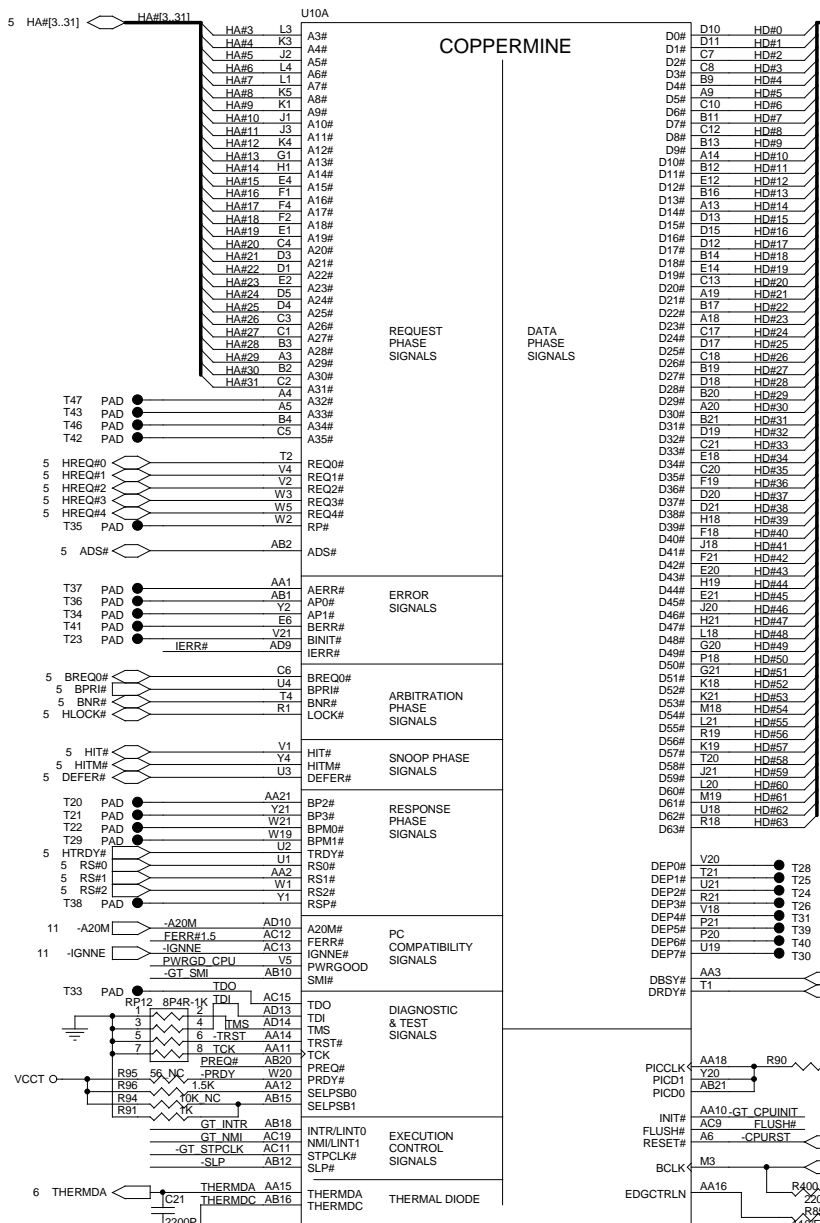
- 01 SS2 Block diagram
- 02 Clock generator
- 03,04 COPPERMINE CPU
- 05,06,07 INTEL 443BX
- 08 SODIMM socket
- 09,10 VGA & LCD signals
- 11 PIIX4
- 12 IDE connector & RTC
- 13 PULL UP
- 14,15 CardBus & connector
- 16,17 LAN system
- 18 Supper IO
- 19 LPT & USB CONNECTOR
- 20 NS87570
- 21 KB,T-PAD & SPK
- 22 MODEM & DOCK CONNECTOR
- 23 AC97 CODEC & AMPLIFIER
- 24,25,26 Power system



QUANTA COMPUTER INC.		
Title	SCHEMATICS BLOCK DIAGRAM	
Size	Document Number	Rev
B	SS3 -- MB	3A
Date:	Friday, January 19, 2001	Sheet 1 of 26

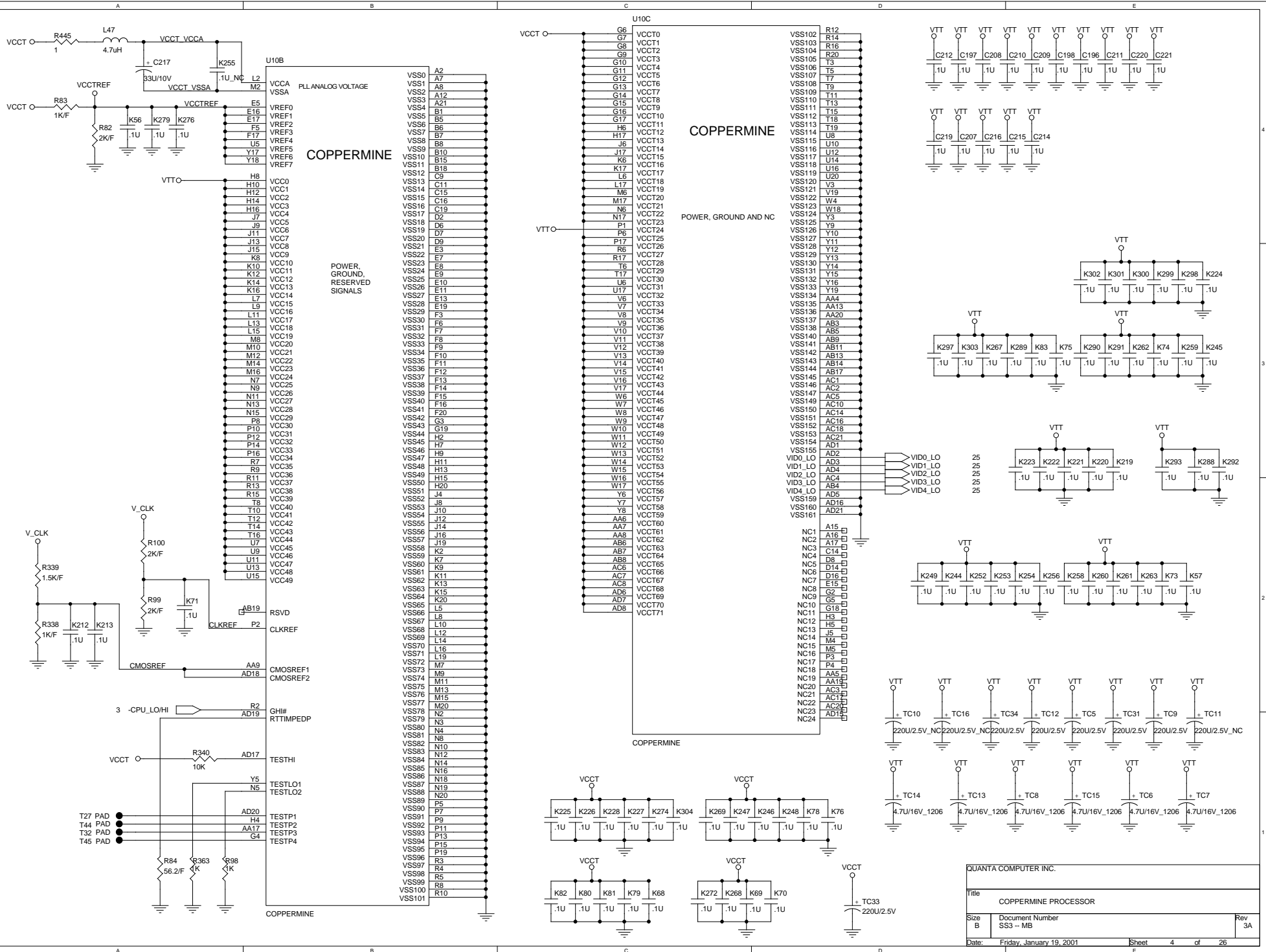


QUANTA COMPUTER INC.		
Title CLOCK GENERATOR		
Size B	Document Number SS3 -- MB	Rev 3A
Date: Friday, January 19, 2001	Sheet 2	of 26

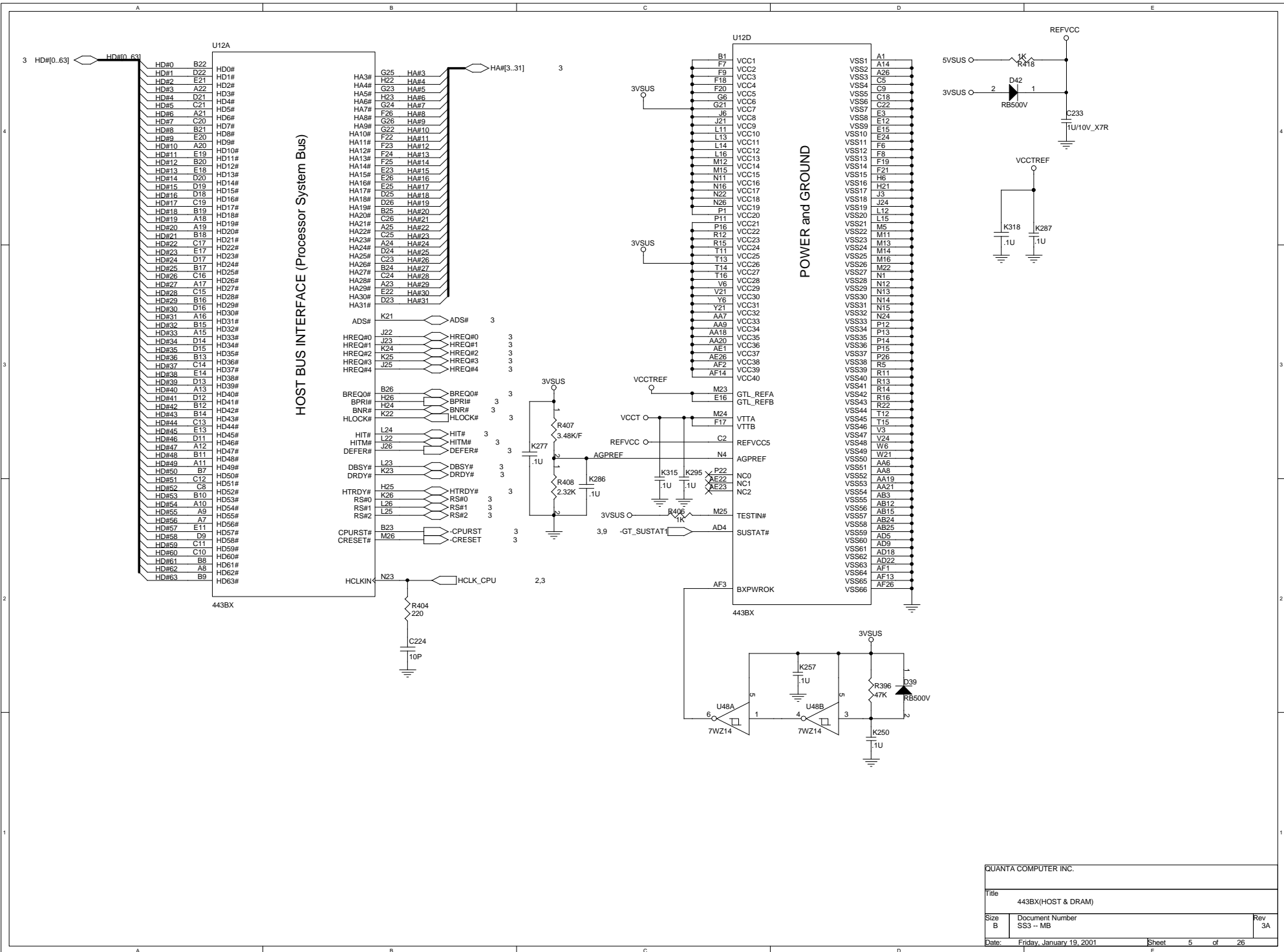


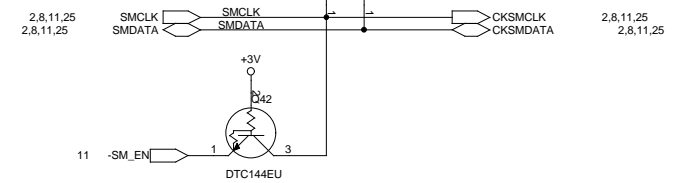
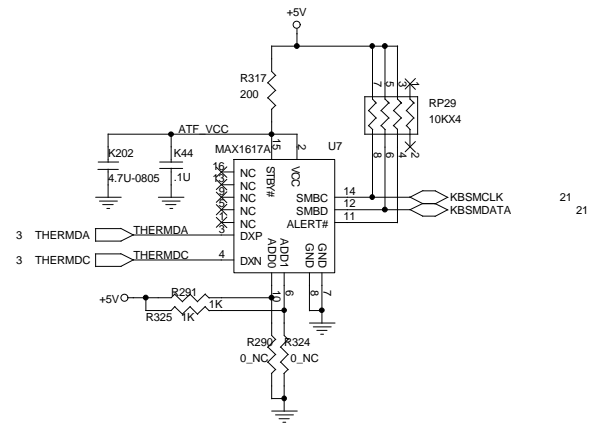
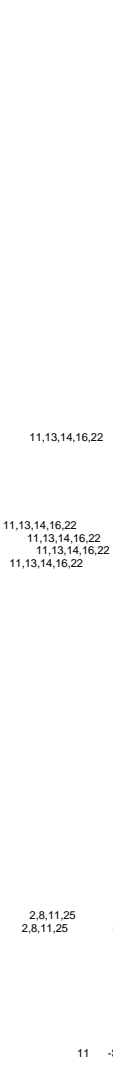
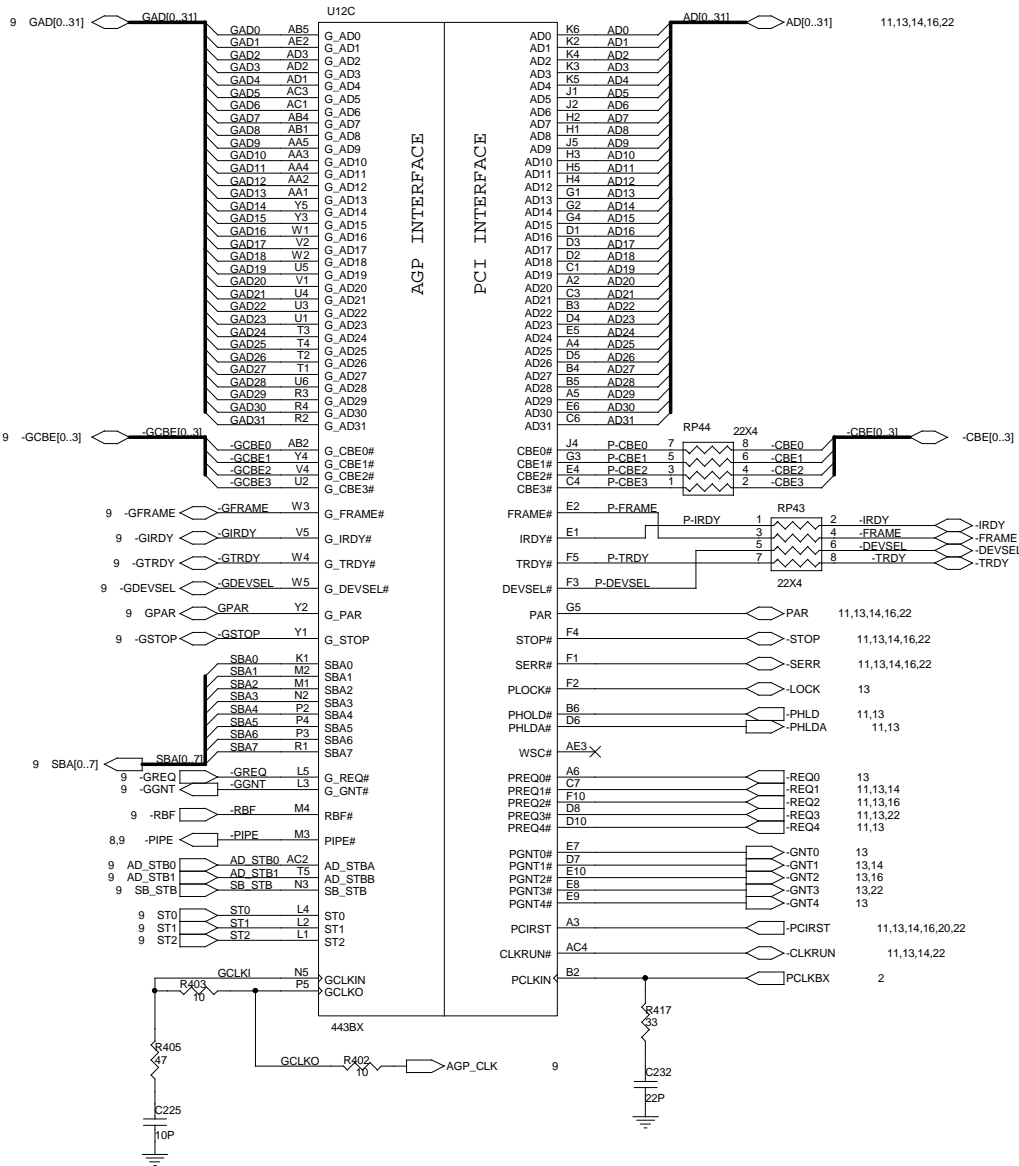
SELPSB[1:0]	STSEM BUS FREQUENCY
00	66MHZ
01	100MHZ
10	RESERVED
11	133MHZ

QUANTA COMPUTER INC.			
Title COPPERMINE PROCESSOR			
Size B	Document Number SS3 -- MB	Sheet 3	Rev 3A
Date: Friday, January 19, 2001	Sheet 3		of 26

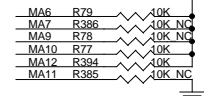
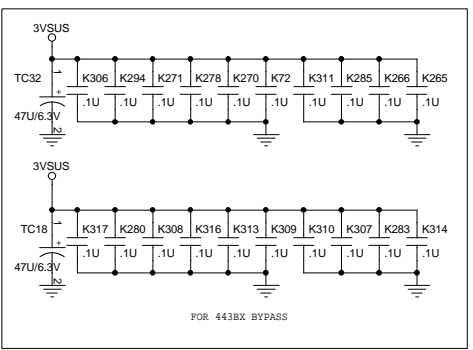
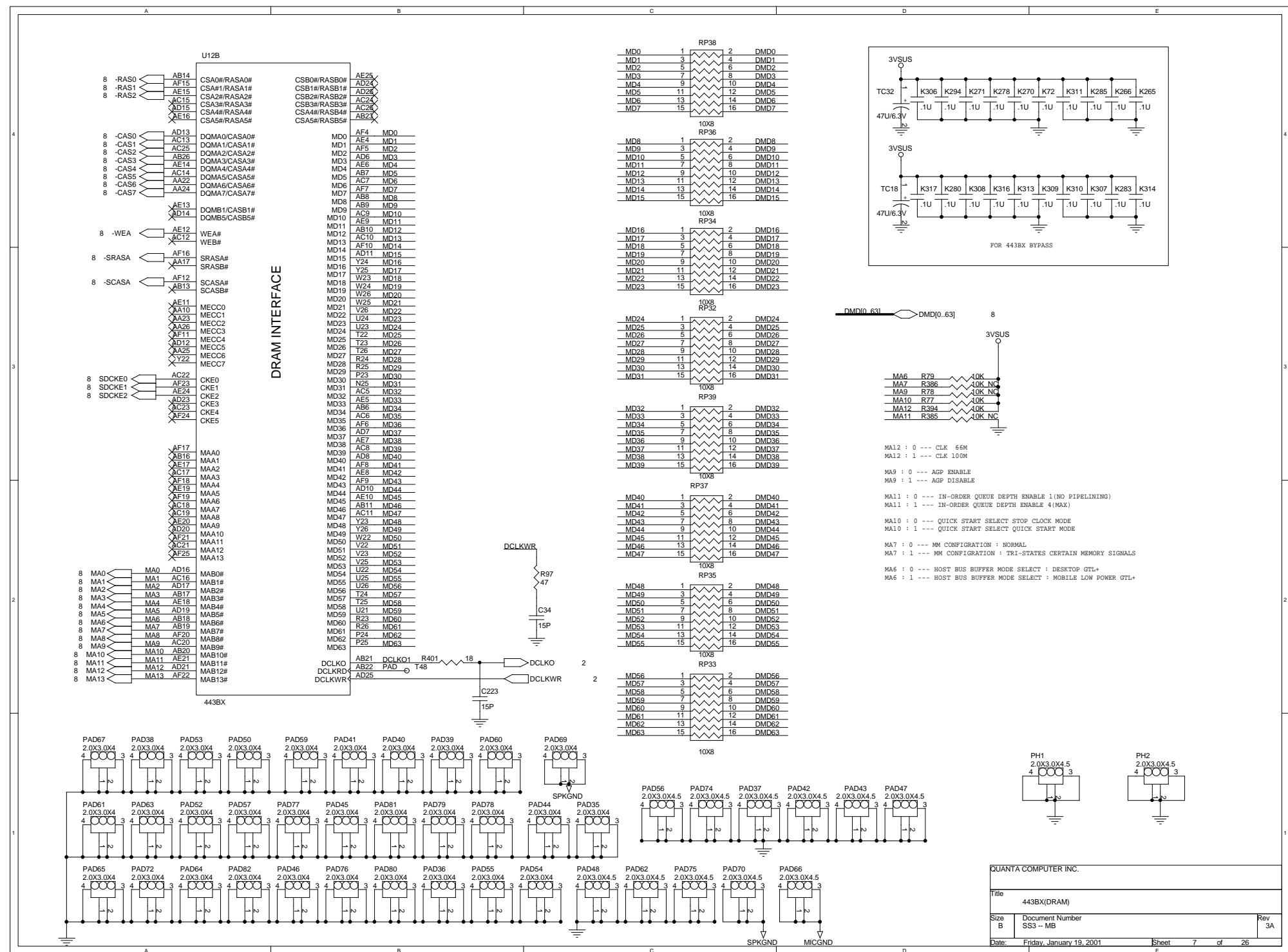


QUANTA COMPUTER INC.		
Title	COPPERMINE PROCESSOR	
Size	Document Number	Rev
B	SS3 -- MB	3A
Date:	Friday, January 19, 2001	Sheet 4 of 26



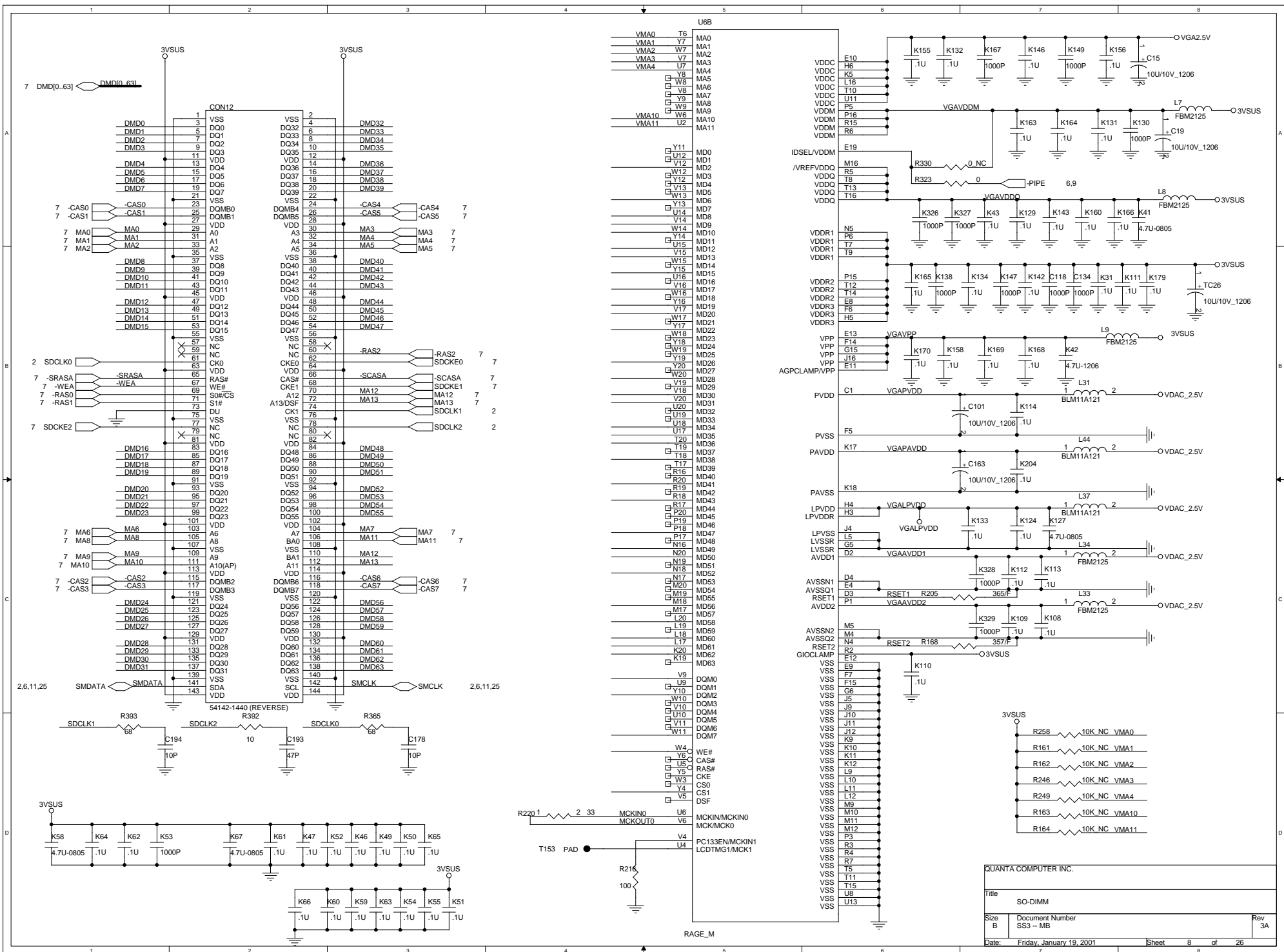


QUANTA COMPUTER INC.		
Title	443BX(AGP & PCI)	
Size	Document Number	Rev
B	SS3 -- MB	3A
Date:	Friday, January 19, 2001	Sheet 6 of 26



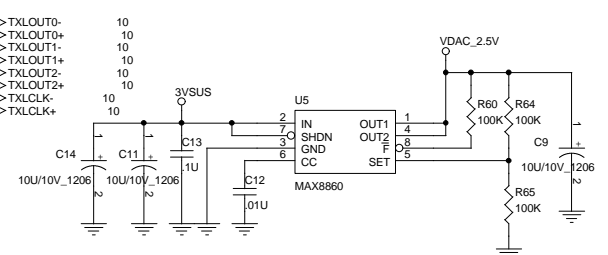
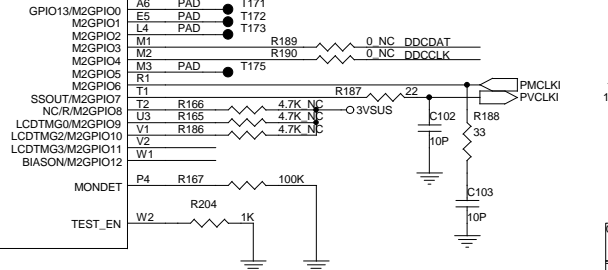
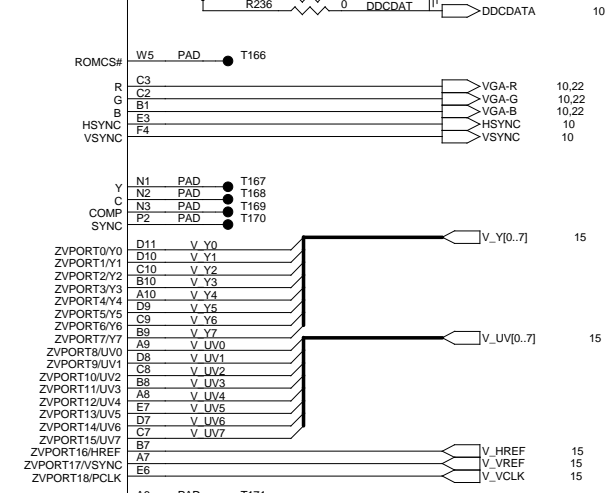
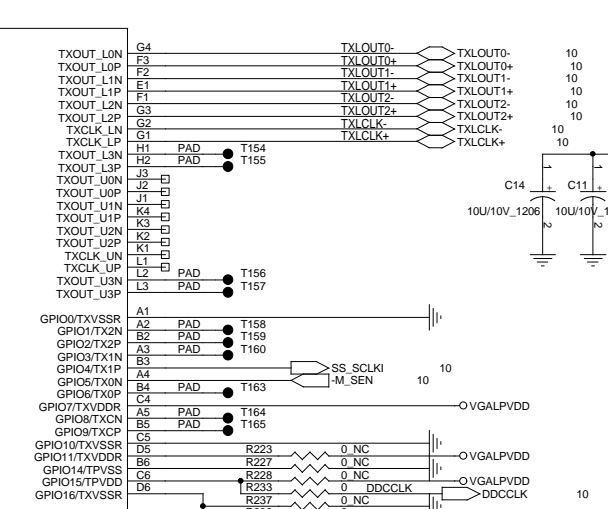
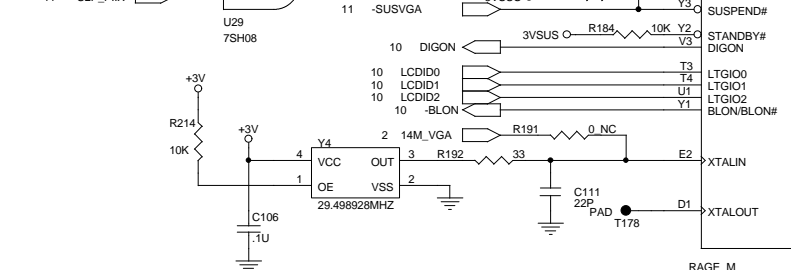
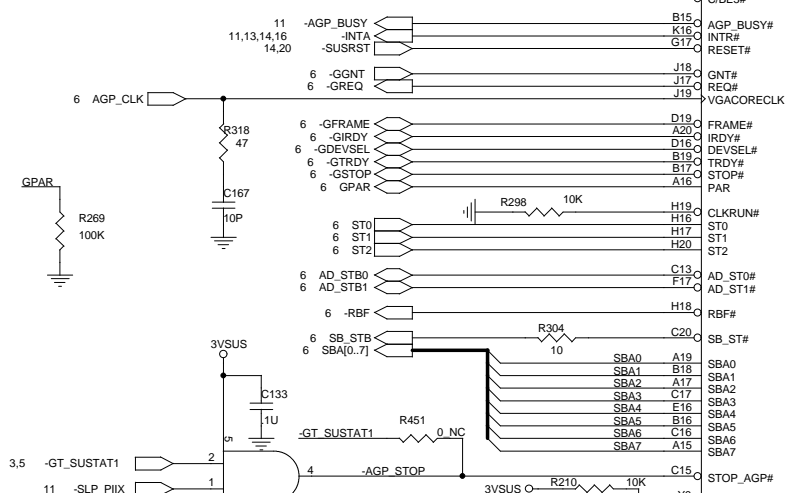
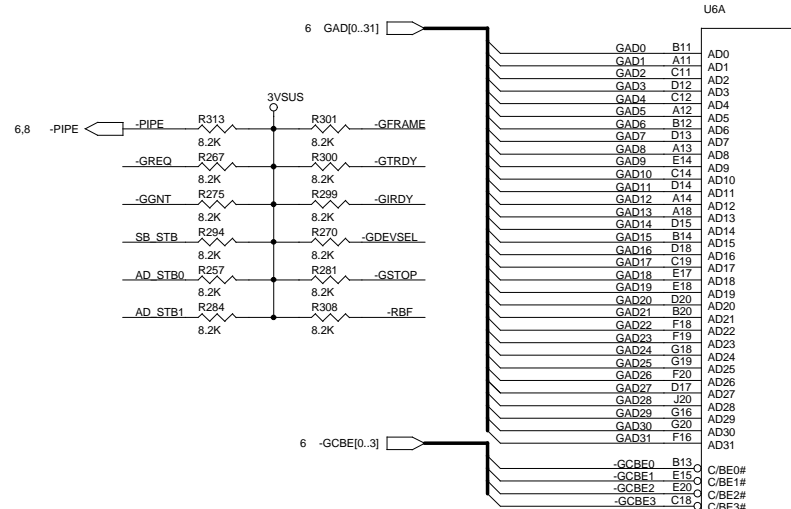
- MA6 R79 10K
  - MA7 R386 10K NC
  - MA9 R78 10K NC
  - MA10 R77 10K
  - MA12 R394 10K
  - MA11 R385 10K NC
- MA12 : 0 --- CLK 66M  
 MA12 : 1 --- CLK 100M
- MA9 : 0 --- AGP ENABLE  
 MA9 : 1 --- AGP DISABLE
- MA11 : 0 --- IN-ORDER QUEUE DEPTH ENABLE 1(NO PIPELINING)  
 MA11 : 1 --- IN-ORDER QUEUE DEPTH ENABLE 4(MAX)
- MA10 : 0 --- QUICK START SELECT STOP CLOCK MODE  
 MA10 : 1 --- QUICK START SELECT QUICK START MODE
- MA7 : 0 --- MM CONFIGURATION : NORMAL  
 MA7 : 1 --- MM CONFIGURATION : TRI-STATES CERTAIN MEMORY SIGNALS
- MA6 : 0 --- HOST BUS BUFFER MODE SELECT : DESKTOP GTL+  
 MA6 : 1 --- HOST BUS BUFFER MODE SELECT : MOBILE LOW POWER GTL+

QUANTA COMPUTER INC.		
Title	443BX(DRAM)	
Size	Document Number	Rev
B	SS3 -- MB	3A
Date:	Friday, January 19, 2001	Sheet 7 of 26

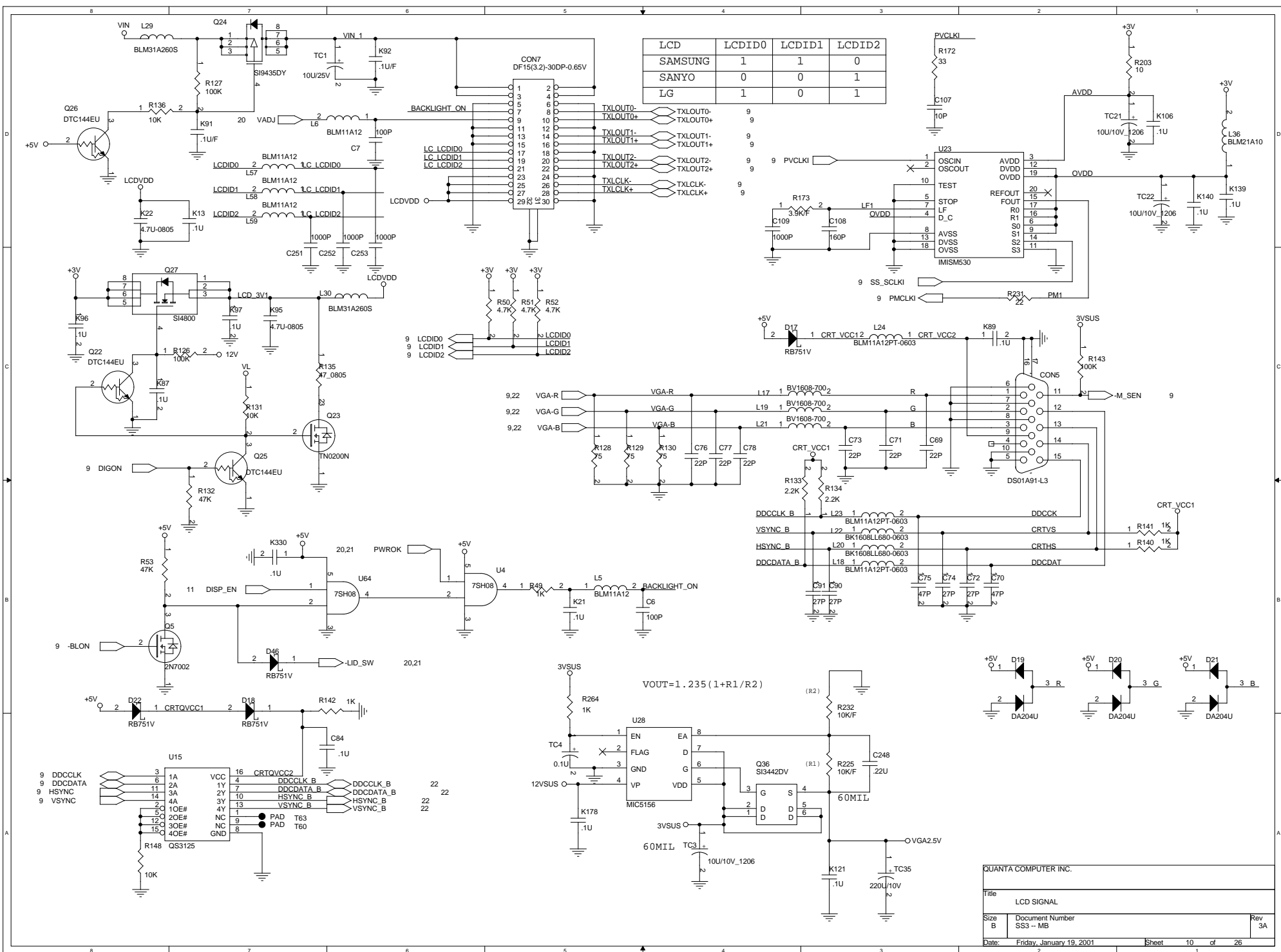


QUANTA COMPUTER INC.		
Title	SO-DIMM	
Size	Document Number	Rev
B	SS3 -- MB	3A
Date:	Friday, January 19, 2001	Sheet 8 of 26



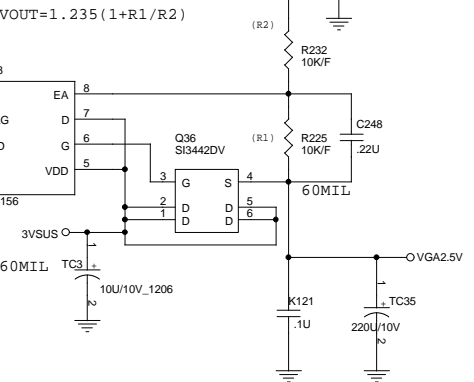


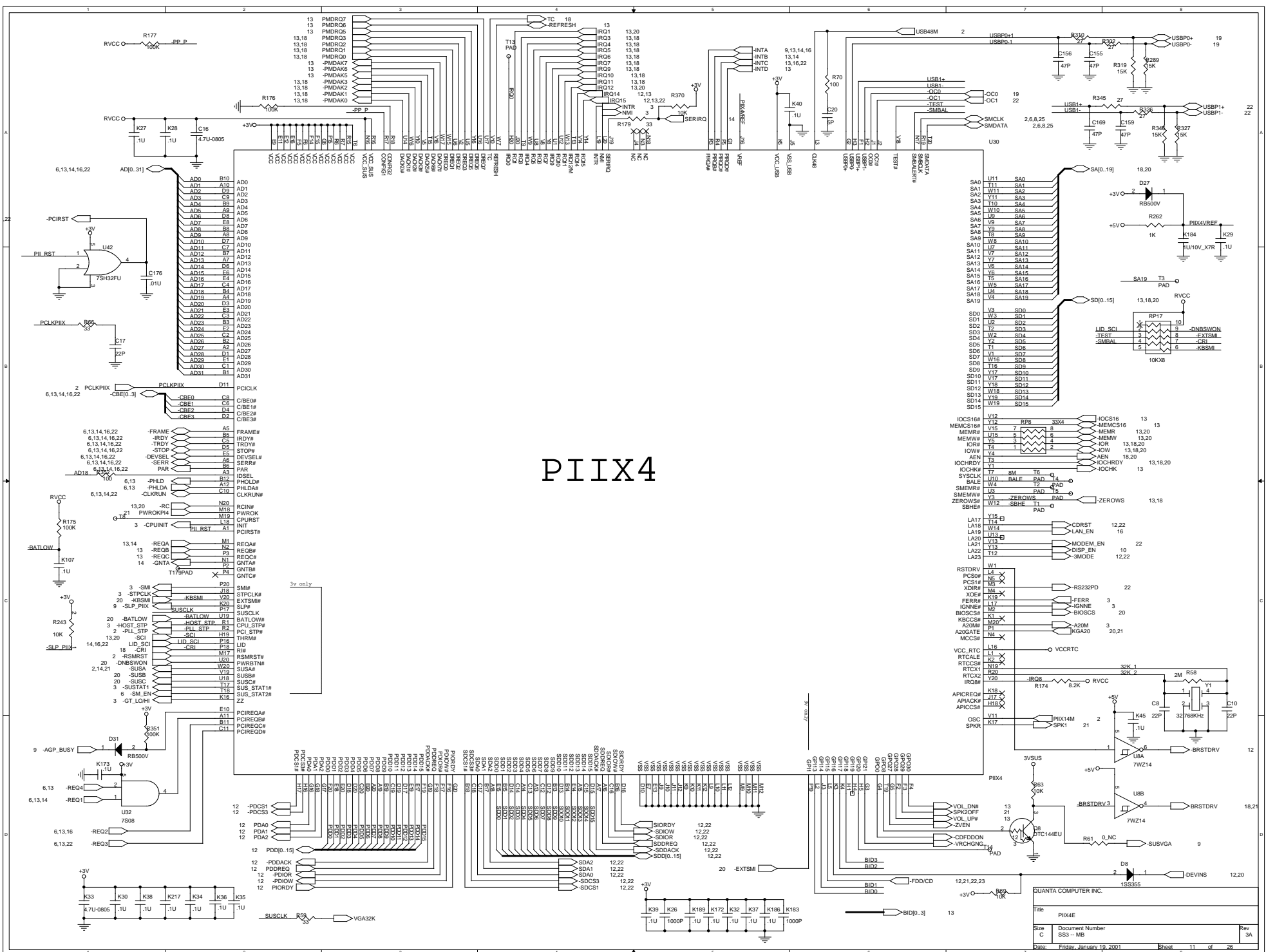
QUANTA COMPUTER INC.		
Title	VGA CHIP (ATI Mobility M)	
Size	Document Number	Rev
B	SS3-MB	3A
Date:	Friday, January 19, 2001	Sheet 9 of 26



LCD	LCDID0	LCDID1	LCDID2
SAMSUNG	1	1	0
SANYO	0	0	1
LG	1	0	1

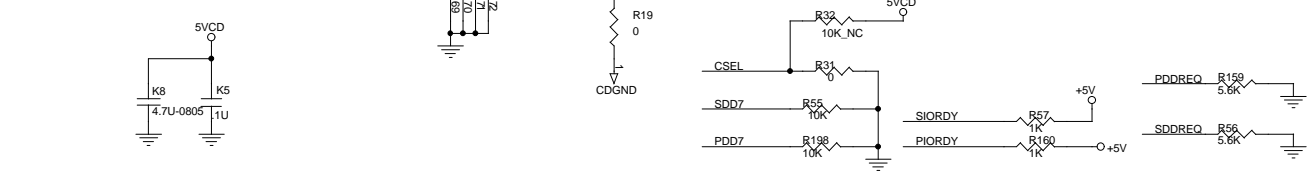
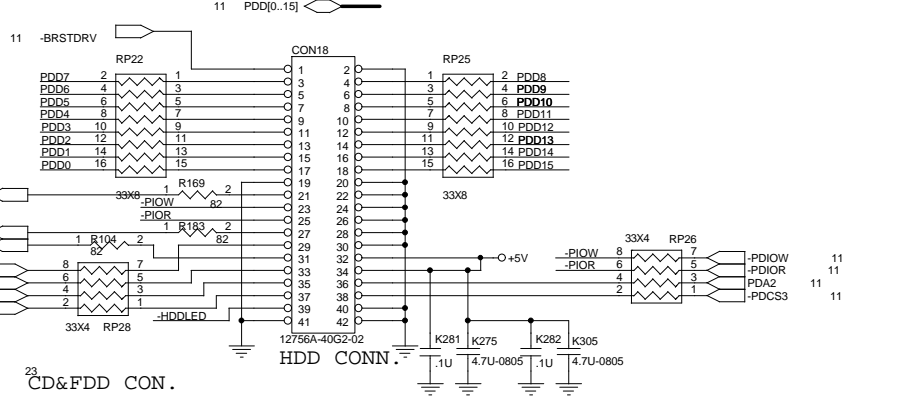
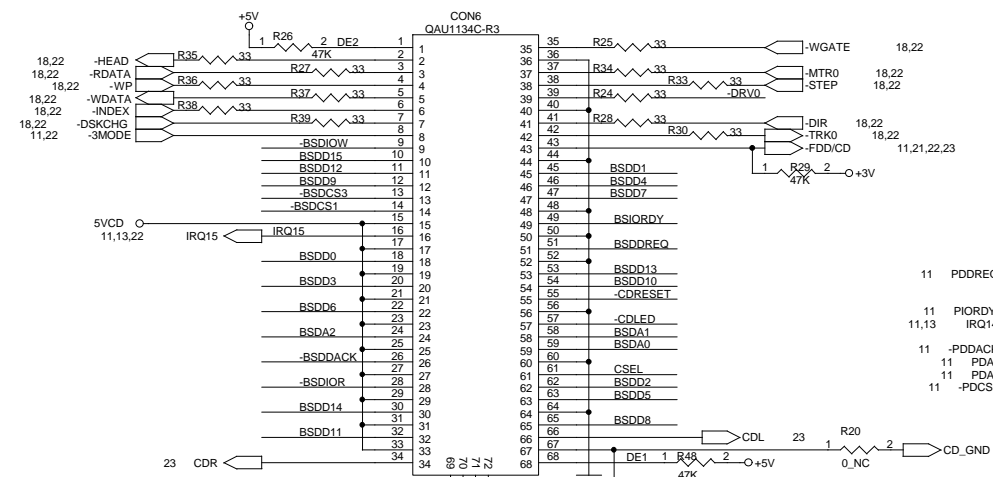
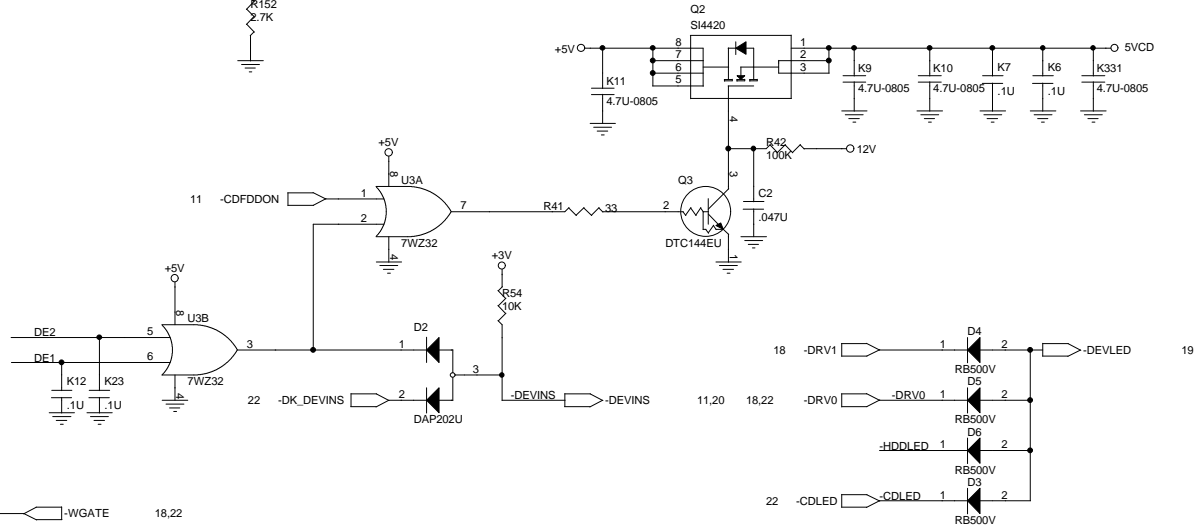
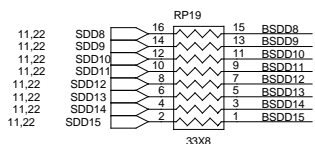
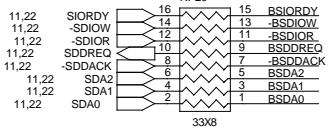
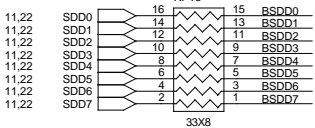
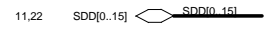
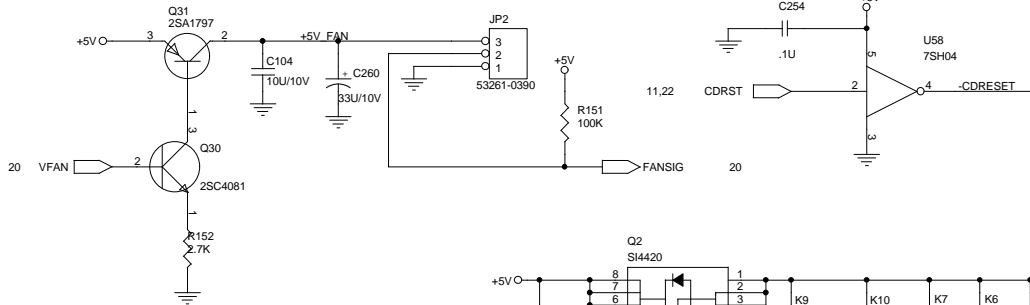
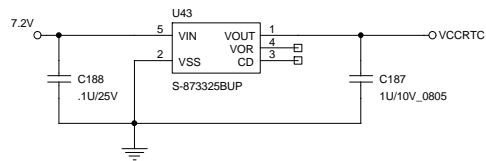
Signal	Component	Value
DDCCLK_B	L23	BLM11A12PT-0603
VSYNC_B	L22	BK1608LL680-0603
HSYNC_B	L20	BK1608LL680-0603
DDCDATA_B	L18	BLM11A12PT-0603
CRT_VCC1	R133	2.2K
CRT_VCC1	R134	2.2K
DDCCCK	R141	1K
CRTHS	R140	1K



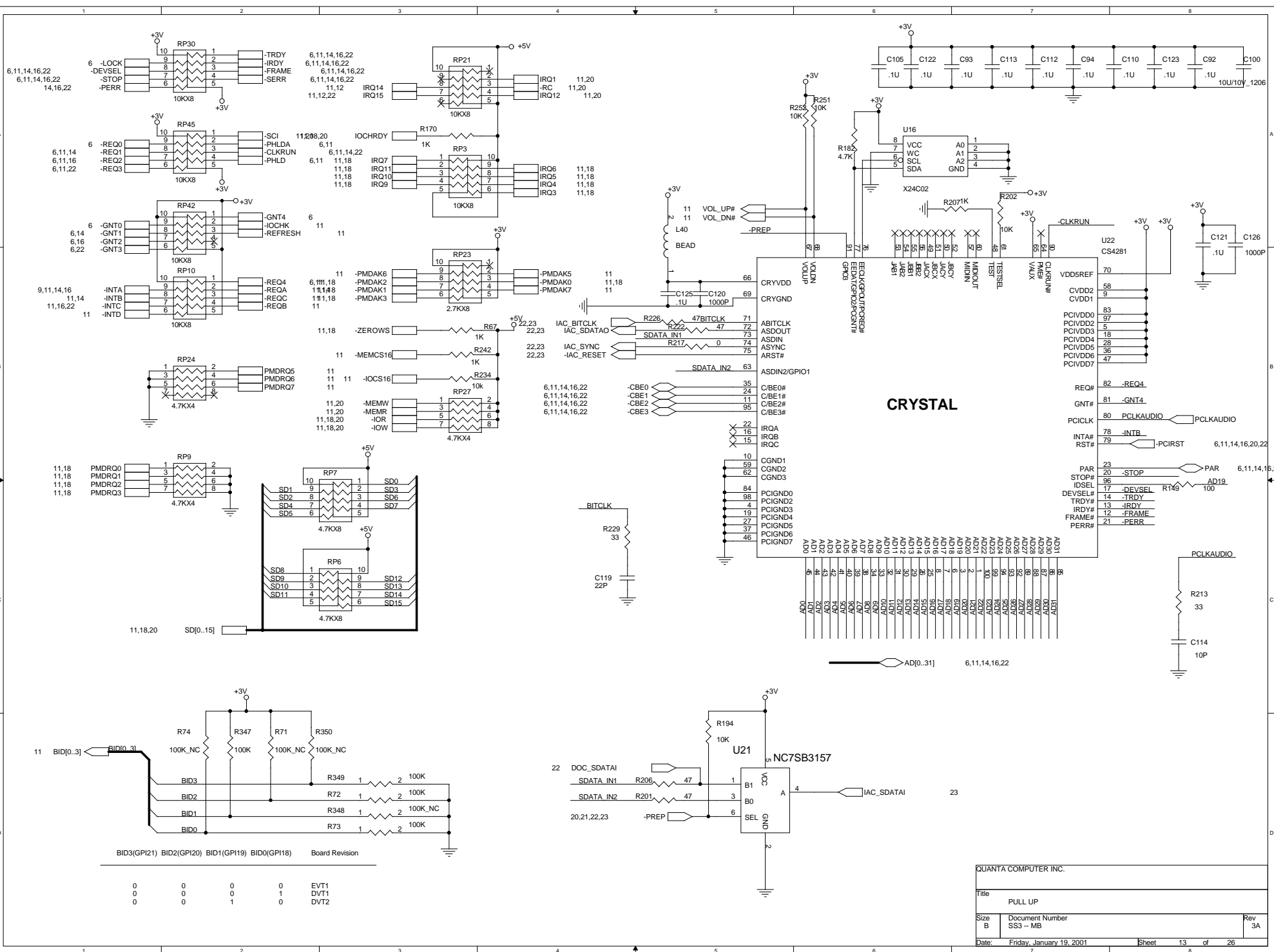


# PIIX4

QUANTA COMPUTER INC.		
Title	PIIX4E	
Size	Document Number	Rev
c	S33-MB	3A
Date	Friday, January 19, 2001	Sheet 11 of 28



QUANTA COMPUTER INC.		
Title	HDD, FDD/CD-ROM CONN & RTC	
Size	Document Number	Rev
B	SS3 -- MB	3A
Date:	Friday, January 19, 2001	Sheet 12 of 26



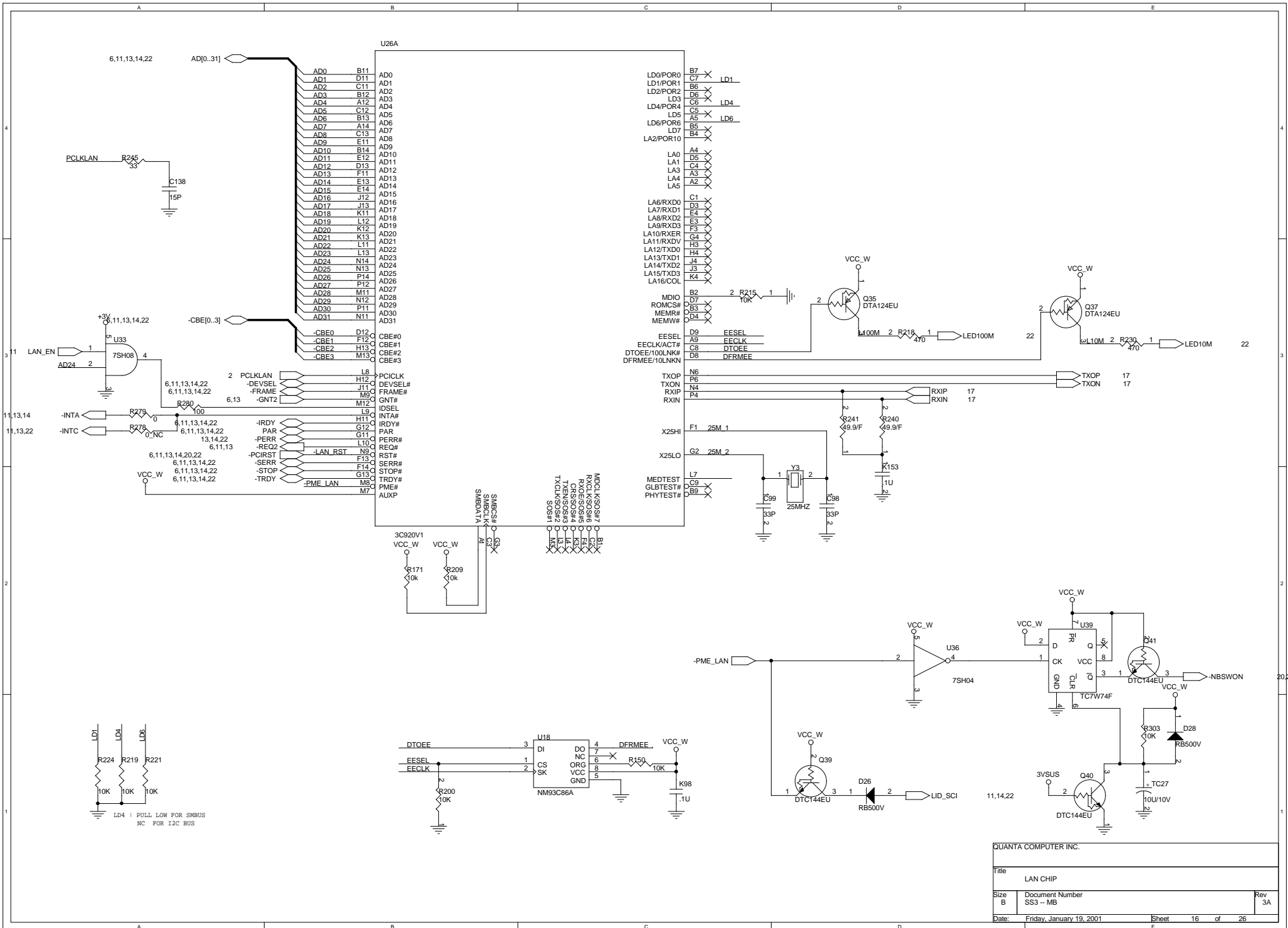
**CRYSTAL**

BID3(GPI21)	BID2(GPI20)	BID1(GPI19)	BID0(GPI18)	Board Revision
0	0	0	0	EVT1
0	0	0	1	DVT1
0	0	1	0	DVT2

QUANTA COMPUTER INC.		
Title: PULL UP		
Size: B	Document Number: SSS -- MB	Rev: 3A
Date: Friday, January 19, 2001	Sheet: 13	of 26

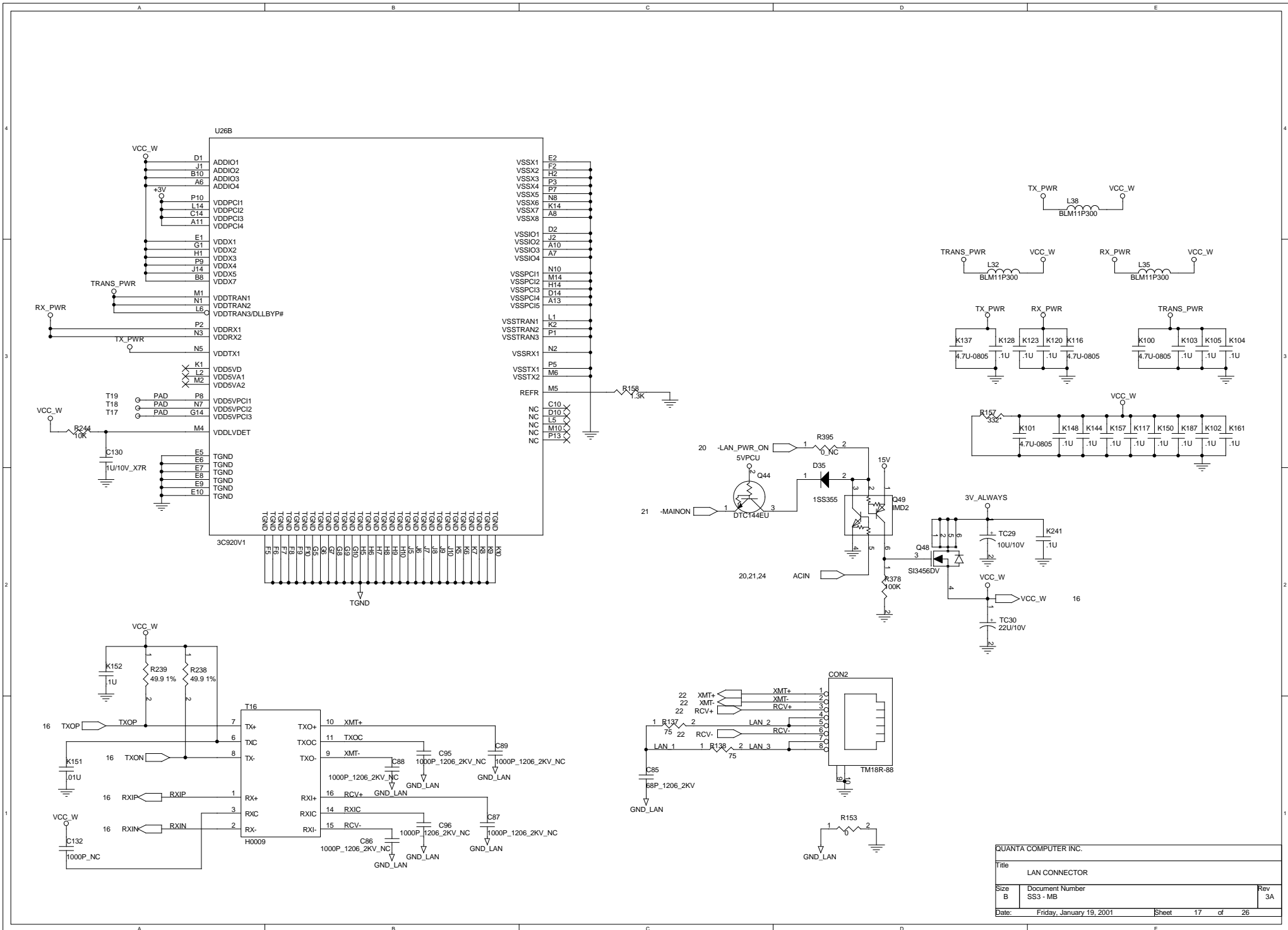




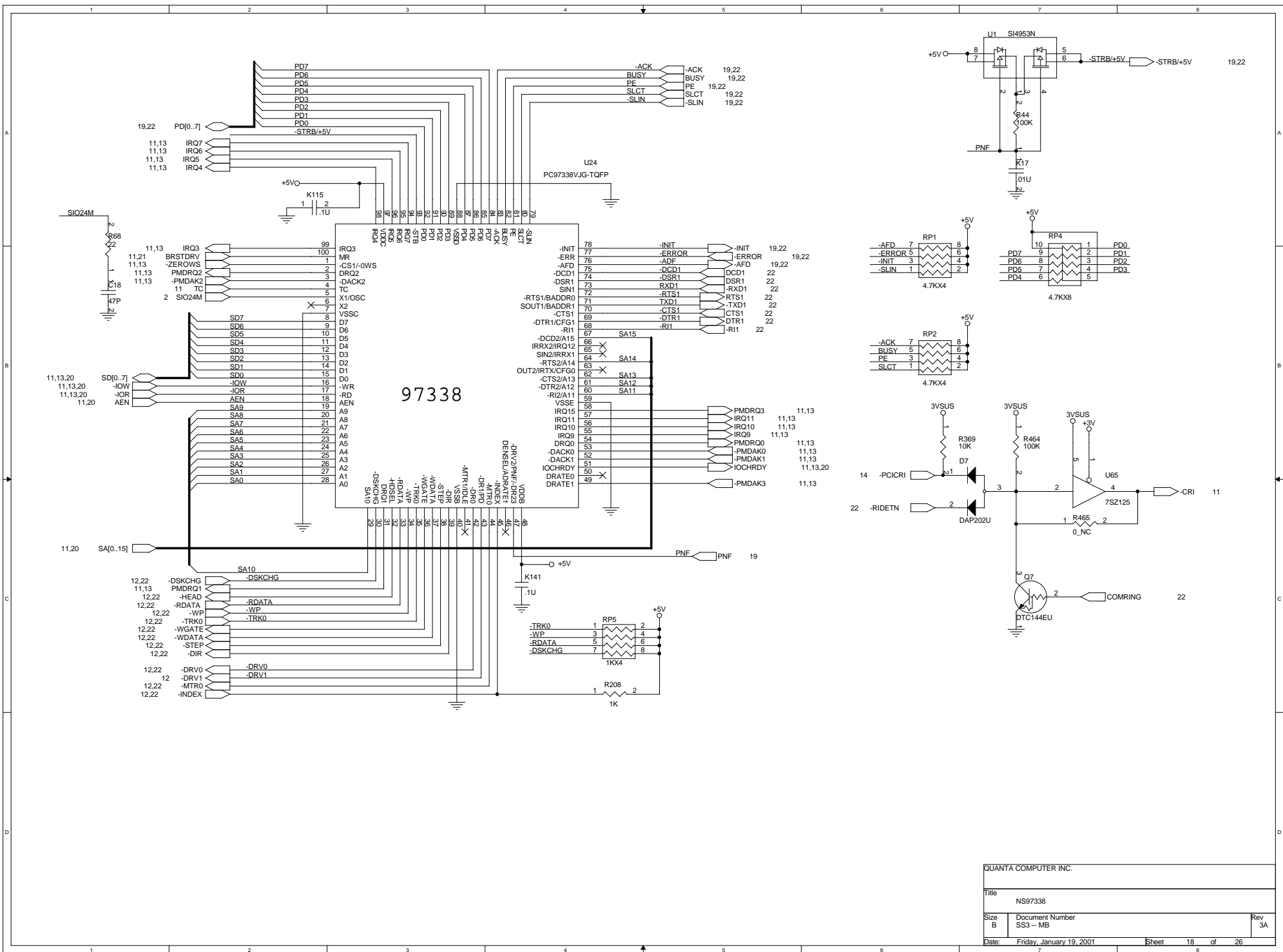


QUANTA COMPUTER INC.		
Title LAN CHIP		
Size B	Document Number SS3 - MB	Rev 3A
Date: Friday, January 19, 2001	Sheet 16	of 26

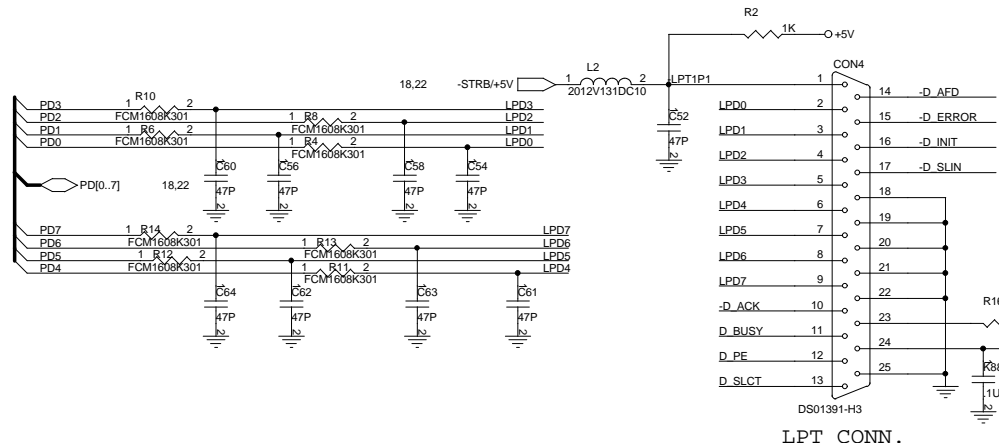




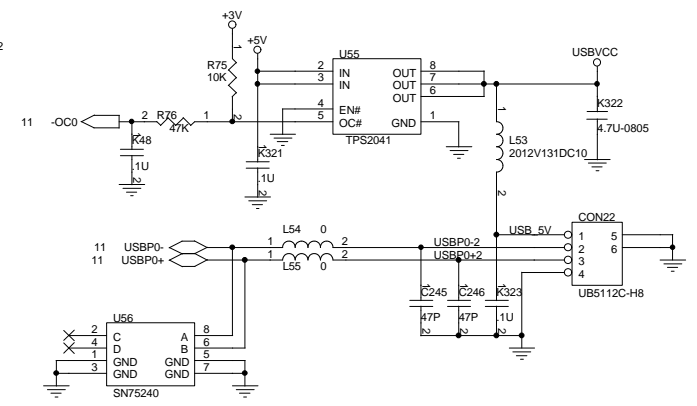
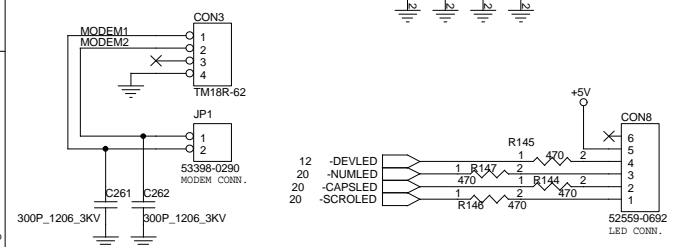
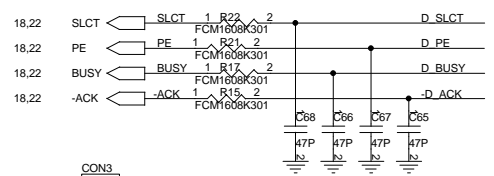
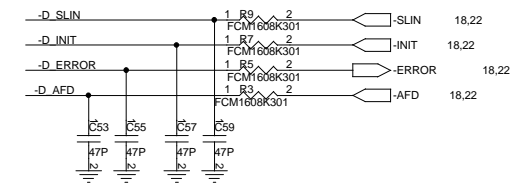
QUANTA COMPUTER INC.		
Title	LAN CONNECTOR	
Size	Document Number	Rev
B	SS3 - MB	3A
Date:	Friday, January 19, 2001	Sheet 17 of 26



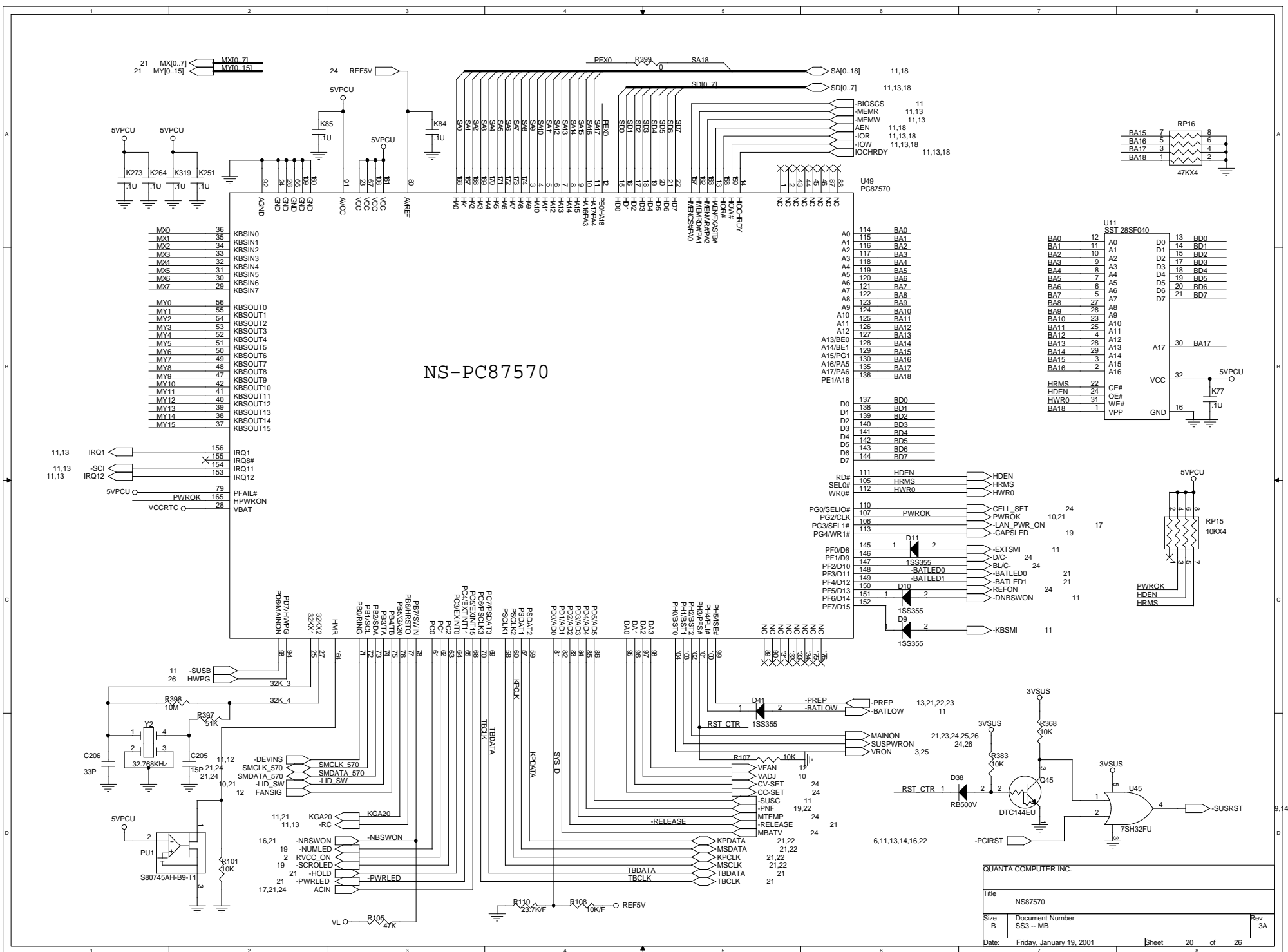
QUANTA COMPUTER INC.		
Title	NS97338	
Size	Document Number	Rev
B	SS3 -- MB	3A
Date:	Friday, January 19, 2001	Sheet 18 of 26



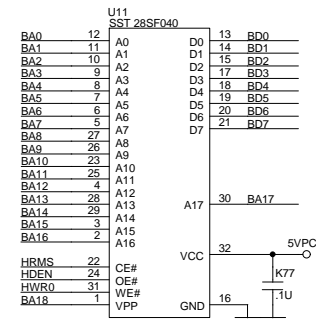
LPT1P1



QUANTA COMPUTER INC.		
Title LPT & AUDIO JACK		
Size B	Document Number SS3-MB	Rev 3A
Date: Friday, January 19, 2001	Sheet 19	of 26

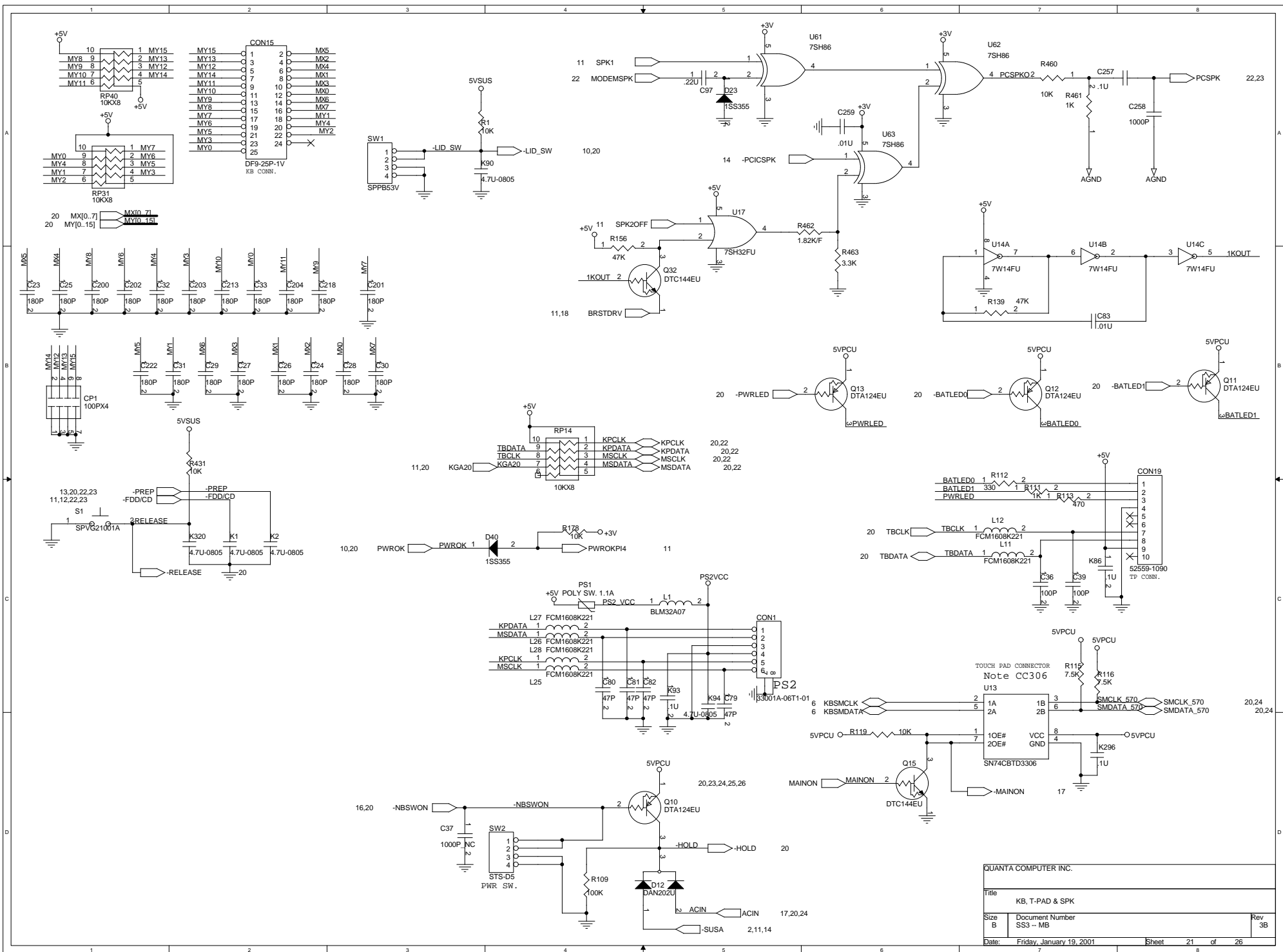


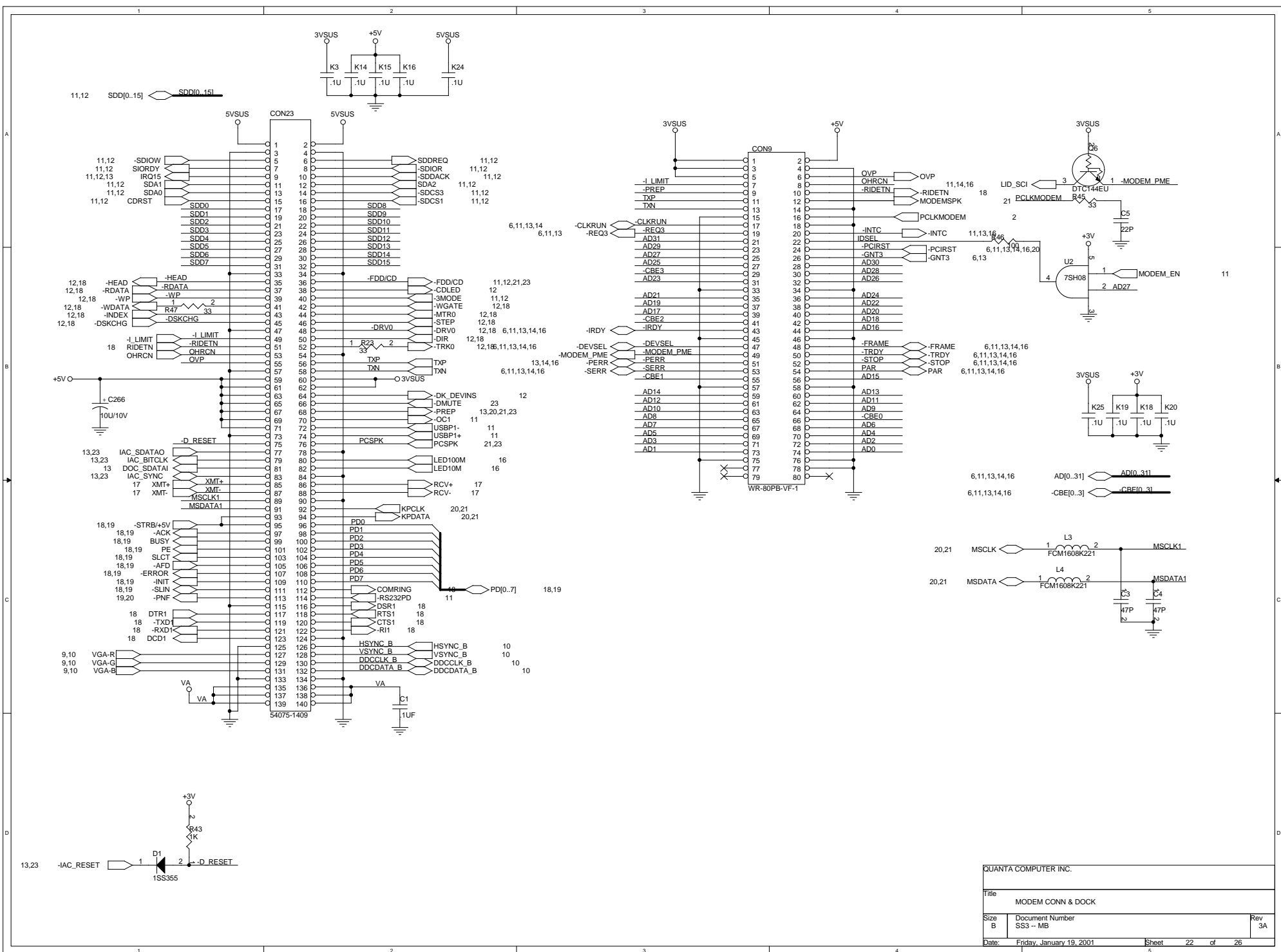
NS-PC87570



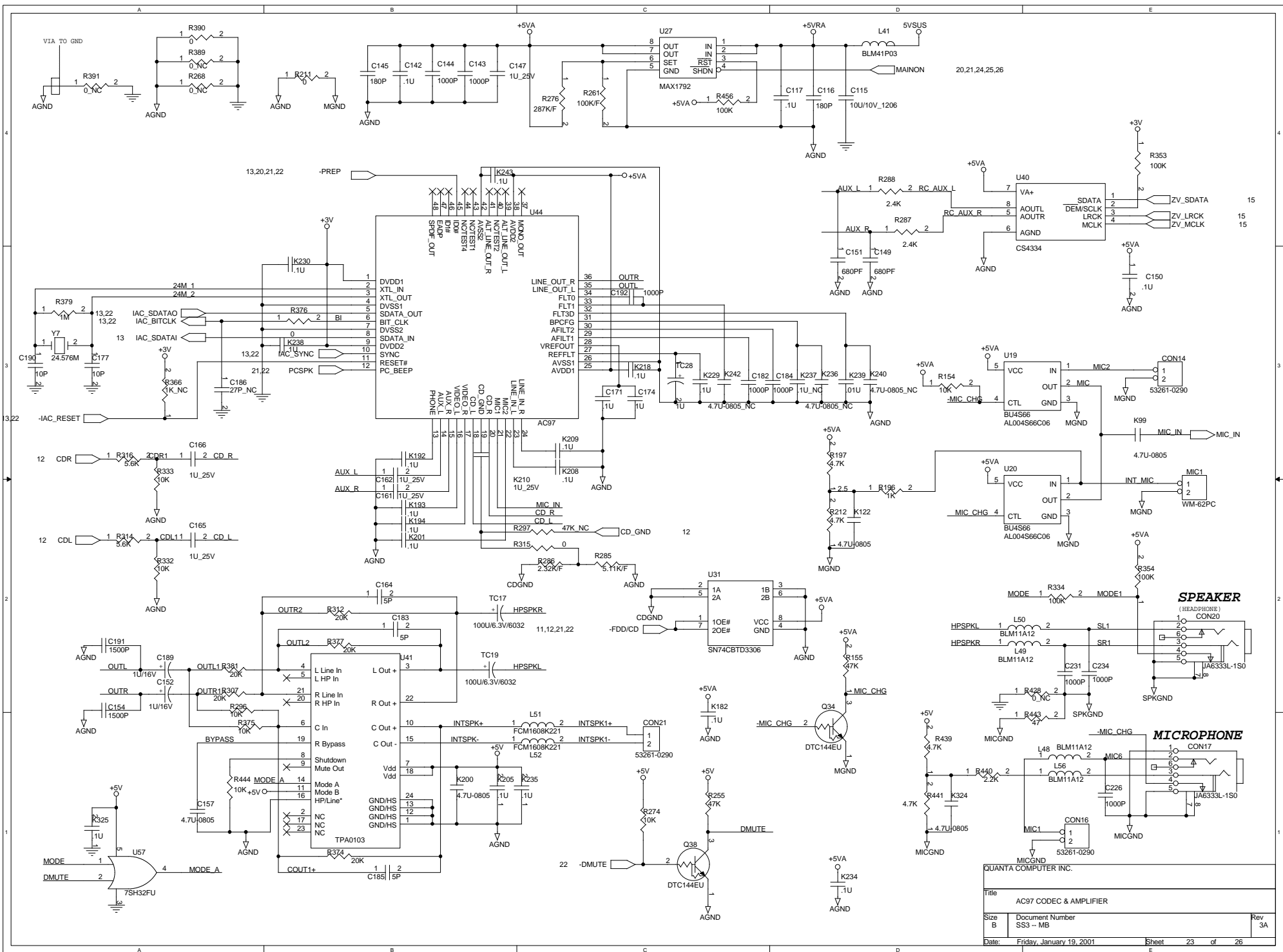
QUANTA COMPUTER INC.

Title	NS87570	
Size	Document Number	Rev
B	SS3 - MB	3A
Date:	Friday, January 19, 2001	Sheet 20 of 26

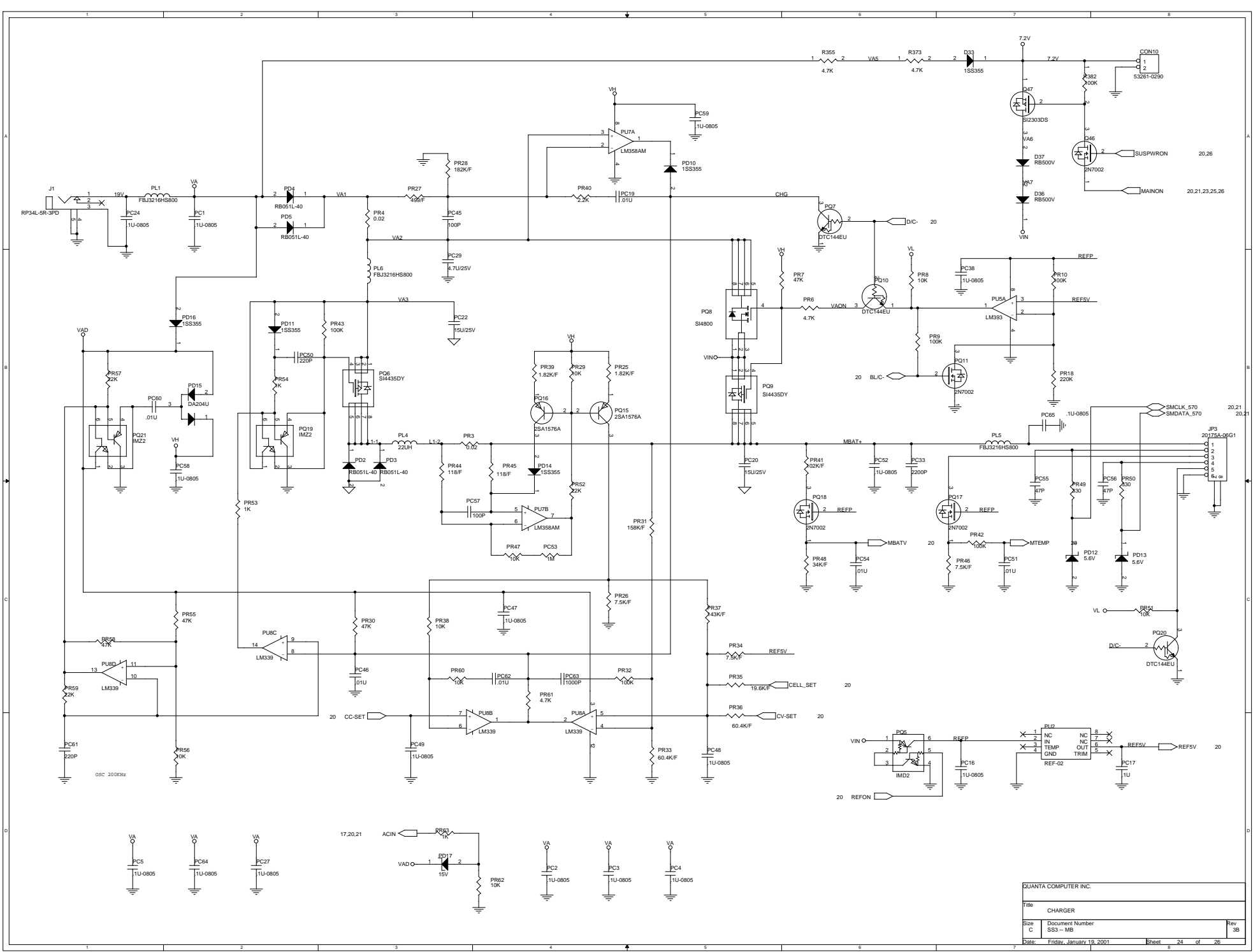




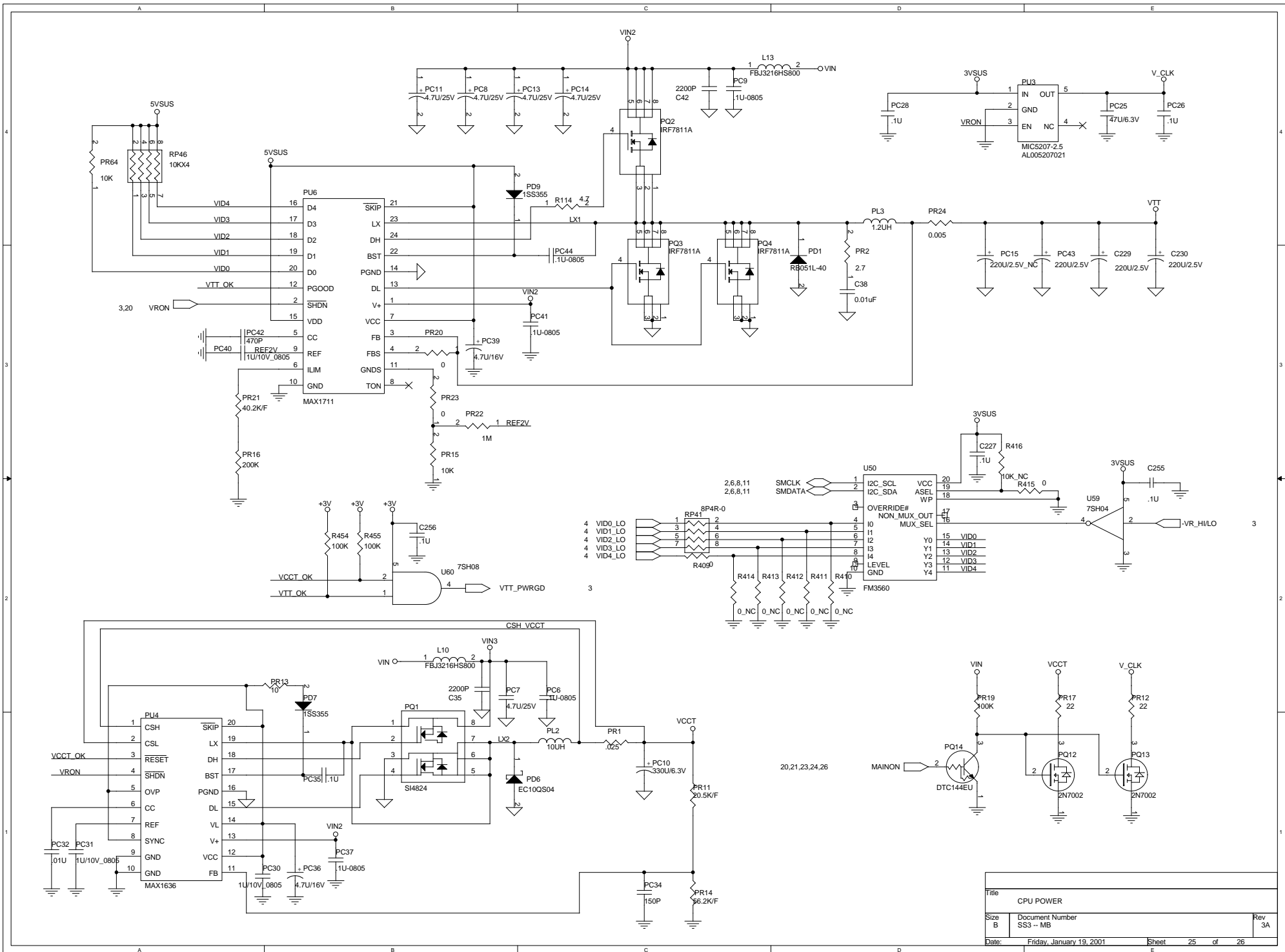
QUANTA COMPUTER INC.		
Title MODEM CONN & DOCK		
Size B	Document Number SS3 -- MB	Rev 3A
Date: Friday, January 19, 2001	Sheet 22	of 26

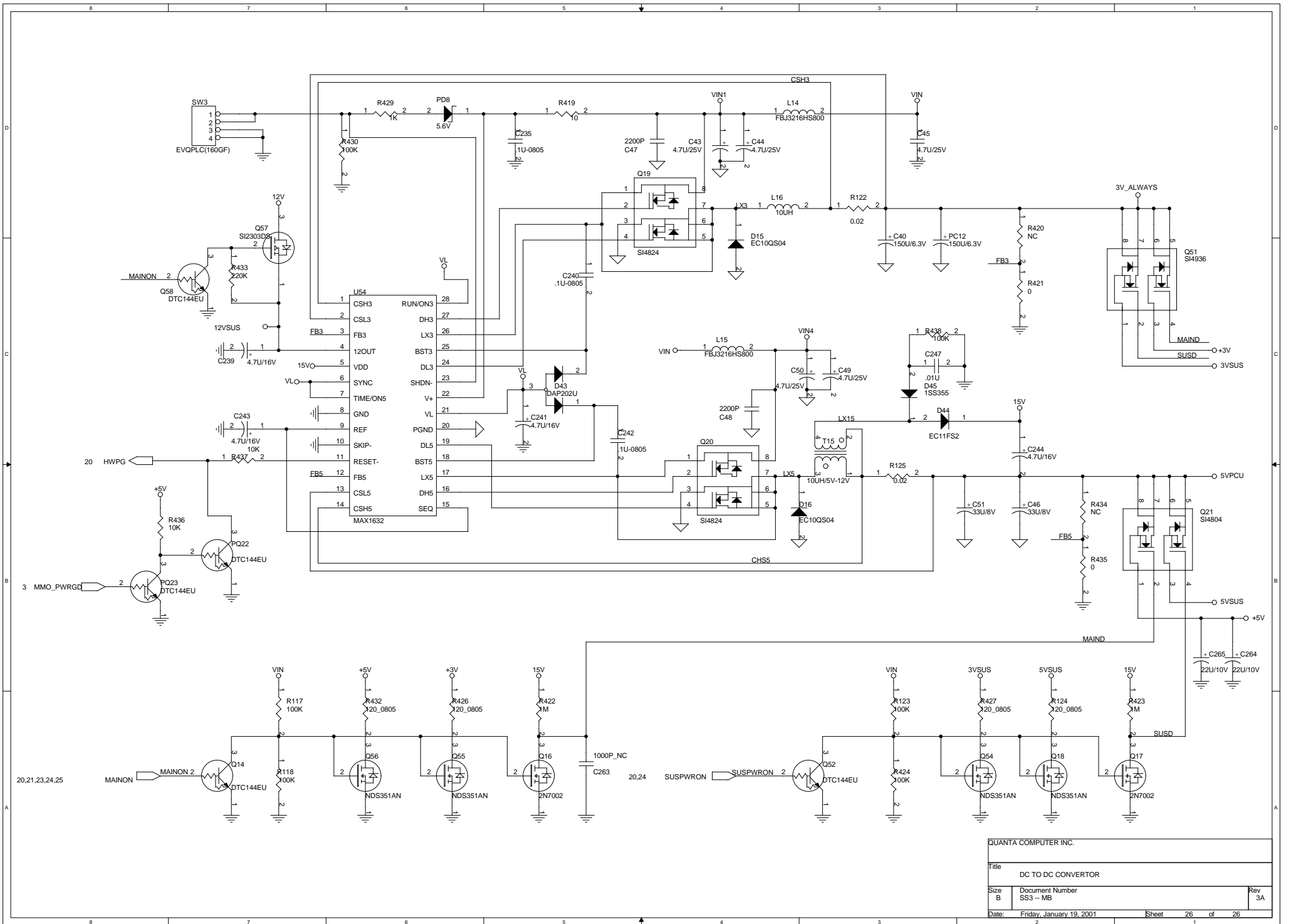


QUANTA COMPUTER INC.		
Title AC97 CODEC & AMPLIFIER		
Size B	Document Number SS3 -- MB	Rev 3A
Date: Friday, January 19, 2001	Sheet 23	of 26









QUANTA COMPUTER INC.		
Title DC TO DC CONVERTOR		
Size B	Document Number SS3 - MB	Rev 3A
Date: Friday, January 19, 2001	Sheet 26	of 26