



---

# Apple Technician Guide



## MacBook Pro (15-inch, Mid 2009)

---

Updated: 2010-08-05

---

 Apple Inc.

© 2009 Apple Inc. All rights reserved.

Under the copyright laws, this document may not be copied, in whole or in part, without the written consent of Apple.

Every effort has been made to ensure that the information in this document is accurate. Apple is not responsible for printing or clerical errors.

Apple  
1 Infinite Loop  
Cupertino, CA 95014-2084  
USA  
+ 1 408 996 1010  
[www.apple.com](http://www.apple.com)

Apple, the Apple logo, Mac, MacBook, and Macintosh are trademarks of Apple Inc., registered in the U.S. and other countries.

Please send feedback to [smfeedback3@apple.com](mailto:smfeedback3@apple.com).

---

# MacBook Pro (15-inch, Mid 2009)

## Contents

### About This Guide

#### Manual Updates 9

- Update 11 June 2010 9
- Updated 14 May 2010 9
- Updated 26 January 2010 9
- Updated 13 January 2010 9
- Updated 2 December 2009 10
- Updated 11 August 2009 10
- Updated 6 July 2009 10
- Updated 10 June 2009 11
- Apple Technician Guide Introduced 08 June 2009 11

#### Feedback 12

### Basics

#### Overview 14

- Identifying Features 14
- Product Configurations 14
- Note About Images in This Manual 15
- Battery Precaution 15
- Battery Removal Tool 15
- Service Fixture 16

#### Serial Number Location 17

- Serial Number on Bottom Case 17
- Transferring the Serial Number 18

#### General Information 19

- Required Tools 19
- Display Panels 20
- The Glass Panel 21
- Keycap Replacement 22

### Troubleshooting

#### General Troubleshooting 24

---

Update System Software	24
Apple Service Diagnostics	24
Test Points	24
Troubleshooting Theory	24
Hardware vs. Software	25
Clamshell Service Diagnostic Read Me	25
Emerging Issues	25
Functional Overview	26
Block Diagram, MacBook Pro (15-inch, Mid 2009)	27
Liquid Contact Indicators	28
Common Reset Procedures	28
Display Issue: Pixel Anomalies	30

## **Symptom Charts 31**

Startup and Power Issues	31
No Power	31
Won't Start Up	34
Intermittent Shutdown	37
No Video/Bad Video	42
Battery Isn't Recognized or Won't Charge	45
Kernel Panic/System Crashes	48
Battery Run Time Too Short	52
Won't Run on Power Adapter Alone	52
Power Adapter Issue	53
Noise / Hum / Vibration	55
Burnt Smell / Odor	57
Battery Leaking or Swollen	58
Uncategorized Symptom	58
Communications	59
Ethernet Port/Device Issue	59
AirPort/Bluetooth: Defective Wireless Devices	61
No/Poor Wireless Signal	63
Bluetooth Wireless Input Device Loses Connection	64
AirPort Card: Kernel Panic	66
Wireless Performance Issue / Slow Connection	67
Wireless Input Device Doesn't Pair	69
Uncategorized Symptom	70
Display	71
Display Anomalies	71
Defective Camera / Built-in iSight Not Operating Correctly	76
Backlight Issue / No Backlight	78
Noise / Unstable Flickering	79
Mechanical/Physical Damage	80
Cosmetic Defects	81
Uncategorized Symptom	81
Mass Storage	82

---

Hard Drive Read/Write Issue	82
Hard Drive Not Recognized/Not Mounting	83
Hard Drive Noisy	85
Optical Drive Won't Accept/Reject Media	86
Optical Drive Read/Write Data Error	88
Optical Drive Not Recognized/Mount	90
Optical Drive Noisy	91
Optical Drive Not Performing to Specs	93
Uncategorized Symptom	94
<b>Input/Output Devices</b>	<b>95</b>
USB Port Does Not Recognize Known Devices	95
Built-in Keyboard Does Not Work Properly	96
Specific Keys Don't Work	97
Built-in Trackpad Does Not Work	98
Built-in Keyboard Has Dim or No Keyboard Backlight	99
Built-in Keyboard Is Not Recognized	100
Built-in Trackpad Does Not Track Properly	101
Apple Remote Inoperable	103
Built-in Speaker Has No Audio	104
Distorted Sound from Internal Speaker	105
SD (Secure Digital) Memory Card Will Not Insert Into Slot	107
SD (Secure Digital) Memory Card Not Recognized By System	108
FireWire Port Not Recognizing Known Devices	109
Uncategorized Symptom	110
<b>Mechanical Issues: Thermals and Enclosure</b>	<b>111</b>
Reset/Power Button Stuck	111
System Runs Hot	113
Uncategorized Symptom	115

## **Take Apart**

### **General Information 117**

Connector Types on Logic Board	117
Battery Precaution	121
Service Fixture	122
Icon Legend	123
Temperature Concerns	123
Replacement Steps	123
Screw Sizes	123

### **Bottom Case 124**

Removal	125
Replacement	127

### **Battery 128**

Removal	129
---------	-----

---

Replacement 130

**Hard Drive and Bracket 132**

Removal 133

Replacement 136

Reinstalling Software that Came with the Computer 138

Installing Mac OS X 138

Installing Applications 138

**Hard Drive/IR/Sleep Indicator Cable 139**

Removal 140

Replacement 140

**Memory 141**

Removal 142

Replacement 143

**Bluetooth Card With Holder 144**

**Camera Cable Guide 147**

**LVDS Cable Guide 149**

**Display Assembly 151**

Removal 152

Replacement 155

Display Hinge Behavior 157

**Display Clutch Cover 158**

Removal 159

Replacement 160

**AirPort Card 162**

Removal 163

Replacement 164

**Antenna Board 165**

Removal 166

Replacement 166

**Optical Drive 167**

**Optical Drive Data Cable 172**

**Right Speaker / Subwoofer 174**

**Fan, Right 179**

**Logic Board 181**

Removal 182

---

Replacement 186

**Fan, Left 188**

**Heatsink 190**

Removal 191

Replacement 192

**Trackpad 194**

Removal 195

Replacement 197

**Left Speaker 200**

**Microphone 202**

**MagSafe Board 204**

**Center Bracket 206**

**Top Case 208**

**Battery Indicator Light Cable and Board 210**

**Views**

**Exploded Views 213**

Main Assembly 1 213

Main Assembly 2 214

**External Views 215**

Front View 215

Port View 216

**Screw Chart 217**

**Screw Location Diagrams 219**

Bottom Case Screws 219

Battery and Optical Drive Assembly Screws 220

LVDS Cable Guide, Right Fan, Camera Cable Guide Screws 221

HD/IR/Sleep Indicator, Metal Cover, Logic Board Screws 222

Trackpad, Midwall Snap, Midwall Pogo Screws 223

Right Speaker and Display Assembly Hinge Screws 224

Battery Indicator Light Board and Center Bracket Screws 225

Left Fan, Left Speaker and Heatsink Screws 226

AirPort Card and Antenna Board Screws 227

---

# **Apple Technician Guide**

## **About This Guide**

---

### **MacBook Pro (15-inch, Mid 2009)**





# Manual Updates

## Update 11 June 2010

### Troubleshooting

- General Troubleshooting: Common Reset Procedures: Resetting the System Management Controller (SMC): Updated step 3 to clarify LED behavior on the MagSafe connector; deleted statement that resetting the SMC requires resetting the date and time.

## Updated 14 May 2010

### Basics

- General Information: Added new section “Keycap Replacement.”

### Troubleshooting

- Symptom Charts: Input/Output Devices: Built-In Keyboard Does Not Work Properly: Changed first step in Action column of Deep Dive to refer to Keycap Replacement articles HT4002 and HT4003.
- Symptom Charts: Input/Output Devices: Specific Keys Don’t Work: Changed last step in Quick Check column to refer to Keycap Replacement articles HT4002 and HT4003.

## Updated 26 January 2010

### Troubleshooting::

- General Troubleshooting: Updated Liquid Submersion Indicator topic and changed wording from Liquid Submersion Indicator (LSI) to Liquid Contact Indicator (LCI)
- Symptom Charts: Startup and Power Issues: Burnt Smell / Odor: Changed Liquid Submersion Indicator (LSI) to Liquid Contact Indicator (LCI)

### Take Apart:

- Heatsink: Added screw replacement order for heatsink screws

## Updated 13 January 2010

### Basics:

- General Information: Added new section “Display Panels” describing the glossy and antiglare panels

### Take Apart:

- Updated Display Assembly procedure to include new graphics of glossy and antiglare display cable removal (step 4).
- Updated Optical Drive procedure to include new graphics of glossy and antiglare display cable removal (step 4).



## Updated 2 December 2009

### Troubleshooting:

- General Troubleshooting: Added new section “Clamshell Service Diagnostic Read Me”
- Symptom Charts: Startup and Power Issues: Revised for Clamshell Service Diagnostic (CSD) considerations
- Symptom Charts: Communications: Revised for CSD considerations
- Symptom Charts: Display: Revised for CSD considerations

### Take Apart:

- Updated screws for right and left speakers

## Updated 11 August 2009

### Troubleshooting:

- Added Bluetooth card information to Startup and Power Issues Symptom Charts
- Added Bluetooth card information to Communications Symptom Charts

### Take Apart:

- Added Bluetooth card procedure (for anti-glare model with Bluetooth option)
- Added note to beginning of Camera Cable Guide procedure explaining that the procedure does not apply to the anti-glare model with Bluetooth card option
- Added information to Right Speaker/Subwoofer and Top Case procedures about foam on speaker and/or top case

### Exploded View:

- Added Bluetooth card and anti-glare display

## Updated 6 July 2009

### General Information:

- Service Fixture graphics were changed.
- A link to the service fixture movie was added

### Take Apart:

- Added battery as “First Step” to all procedures except memory removal.
- Display Assembly, Optical Drive, and the Logic Board chapters were updated with information about the shim located behind the camera cable connector. If the shim is not replaced during reassembly, the camera cable could work loose, resulting in no video. A replacement shim is now included with replacement logic boards.
- Logic Board, Fan, and Heatsink chapters were updated with new service fixture graphics

### Views

- Added screw photos to Screw Chart
- Added nine Screw Location Diagrams



---

## **Updated 10 June 2009**

Take Apart:

- Added battery as “First Step” to various procedures

## **Apple Technician Guide Introduced 08 June 2009**



---

# Feedback

We want your feedback to help improve this and future Technician Guides!

Please email any comments to:

[smfeedback3@apple.com](mailto:smfeedback3@apple.com)

---

# **Apple Technician Guide**

## **Basics**

---

### **MacBook Pro (15-inch, Mid 2009)**



# Overview



The MacBook Pro (15-inch, Mid 2009) computer features a 2.66, 2.8, or 3.06 GHz Intel Core 2 Duo processor, NVIDIA GeForce 9400M integrated graphics processor, and an SD Card slot. Refer to more features below.

## Identifying Features

The main features and service differences include:

- SD card slot
- Intel 2.66 GHz, 2.8GHz, or 3.06 GHz processor
- Advanced built-in battery that last up to 7 hours on a single charge
- Select models 9600M GT with 256MB or 512MB of GDDR3 memory

## Product Configurations

For product configurations, refer to Applecare Tech Specs: <http://support.apple.com/specs/>



## Note About Images in This Manual

Because a pre-production or very similar model was used for most of the images shown in this manual, you may notice small differences in appearance between the image pictured and the computer you are servicing. However, although the appearance may differ, the steps and sequence are the same unless noted.

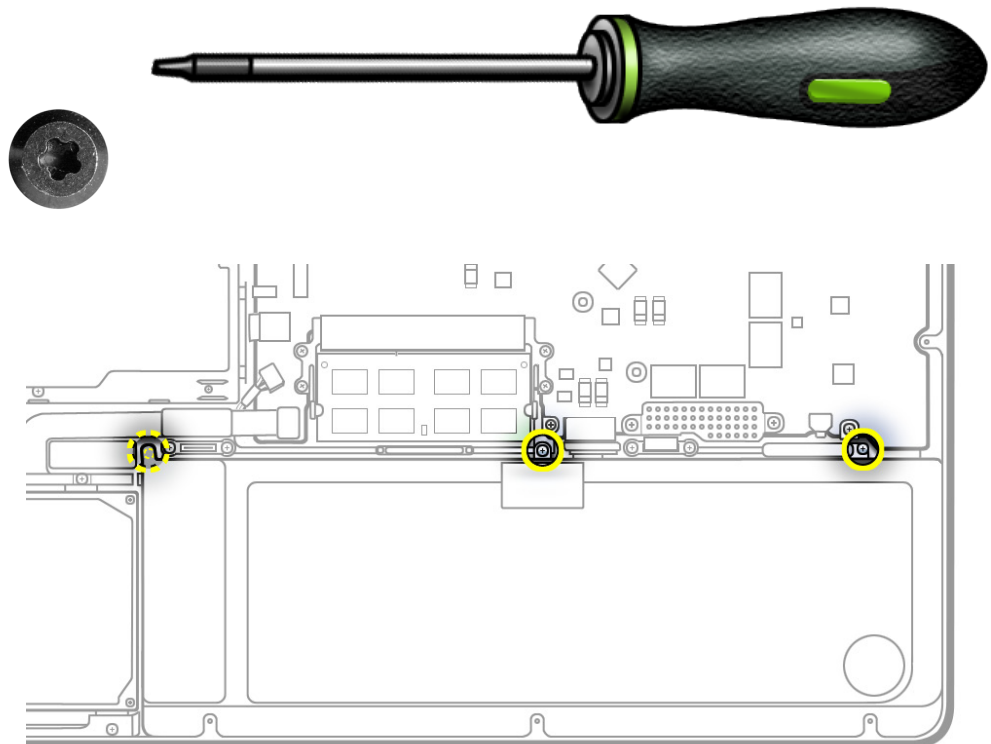
Screw sizes shown are approximate and indicate the total length including the screw head.

## Battery Precaution

This computer contains an internal-only battery that is serviceable by Apple-authorized service providers only. Tamper-proof screws are employed to prevent customers from attempting to remove it. **Note:** Before you begin any procedure, disconnect the battery from the logic board. Failure to do so could damage the computer.

## Battery Removal Tool

To remove the security screws holding the battery in place, you will need a special tool, the Torx Plus Tamper 6 screwdriver, Apple part number 922-9101, available through GSX.



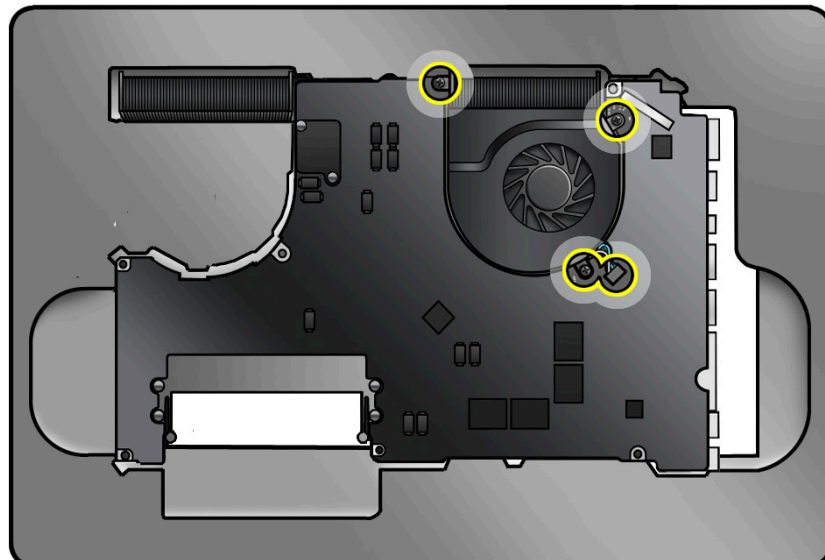


## Service Fixture

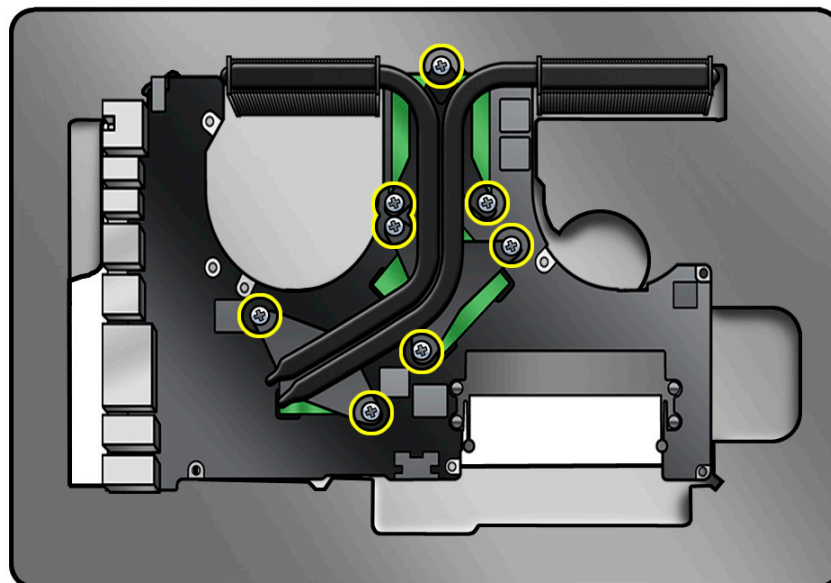
Use the custom-made service fixture (922-9102) to provide support to the logic board whenever removing and replacing the left fan and heatsink. Failure to use the service fixture will flex the logic board and strain components on the board.

The fixture is two-sided; one side is for fan removal and installation and the other side is for heatsink removal and installation. The graphics below demonstrate the logic board positioned on each side of the fixture with the screws highlighted. Review the [movie](#) for more information.

### Fan installation and removal side



### Heatsink installation and removal side



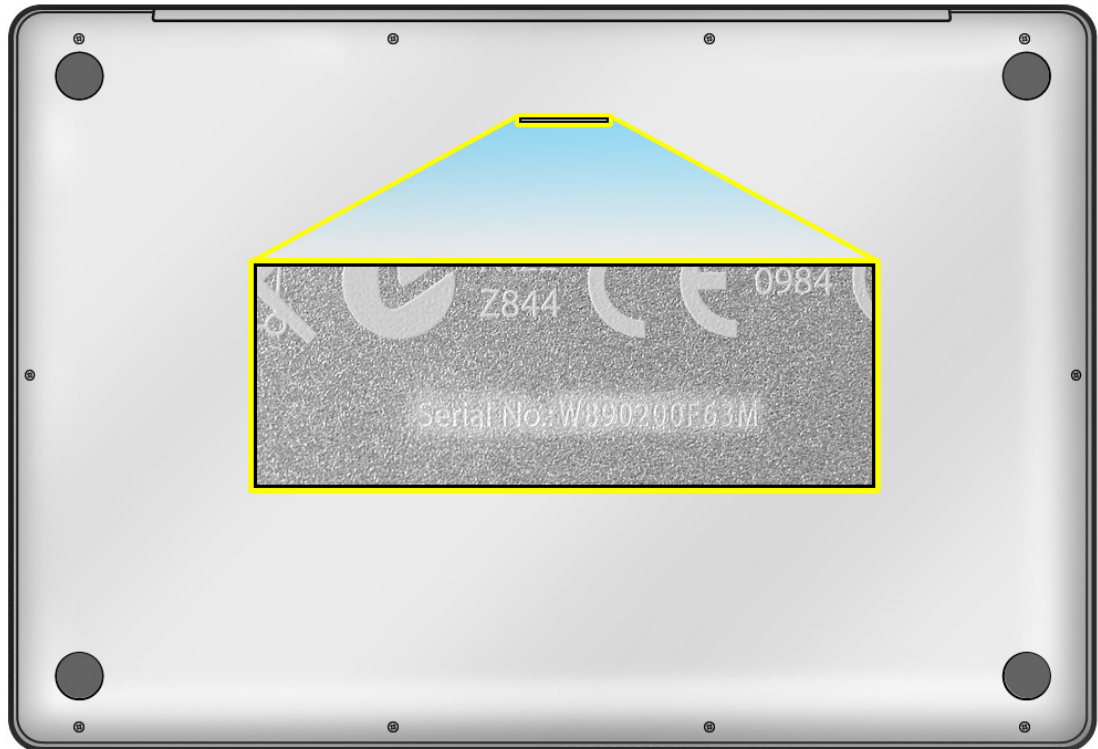




# Serial Number Location

## Serial Number on Bottom Case

Turn over the computer to see the serial number etched on the bottom case near the hinge.





## Transferring the Serial Number

When replacing a bottom case, retain the customer's bottom case until the repair is complete. Before installing the replacement bottom case, use a fine-tip permanent marker to write the original serial number legibly in uppercase box letters directly onto the inside of the new bottom case.

**CAUTION:** Take great care in deciphering the small typeface of the etched serial number on the bottom case. You might need a magnifying glass to see it clearly. It is imperative that you transfer the correct alphanumeric characters. Keep in mind that Apple serial numbers always use the numbers 1 and 0 instead of the Roman letters "l" and "O."





# General Information

## Required Tools

**Caution:** To prevent scratches or other cosmetic damage to the computer housing, use a soft cloth as a protective layer when removing and installing the external screws.

The following tools are required to service the computer:

- Clean, soft, lint-free cloth
- ESD wrist strap and mat
- Magnetic Phillips #00 screwdriver
- Magnetic Phillips #000 screwdriver (preferably with a long handle)
- Torx T6 screwdriver
- Torx Plus® Tamper 6 screwdriver, for battery removal (Apple part number 922-9101)
- Logic/Fan/Heatsink [service fixture](#) (part number 922-9102)
- Black stick (Apple probe tool, part number 922-5065) or other nonconductive nylon or plastic flatblade tool
- Thermal grease (Apple thermal compound syringe, part number 922-7144)
- Alcohol wipes
- Foam wedge fixture for display assembly removal (part number 922-8779)
- Kapton tape
- Tweezers, ESD safe, extra fine points, for flat cable replacement

Refer to Knowledge Base article “Hand Tools for Desktop and Portable Repairs--AP/CA/EU/JP/LA/US” to purchase tools:

<http://docs.info.apple.com/article.html?artnum=500200>

In addition, the following software programs are required for troubleshooting:

- Apple Service Diagnostic (ASD), version 3S132
- Apple Hardware Test, version 3A171



## Display Panels

Customers can choose the standard glossy display (661-5215) or an optional antiglare display (661-5295). The antiglare display became a CTO option in August 2009.

### External difference:

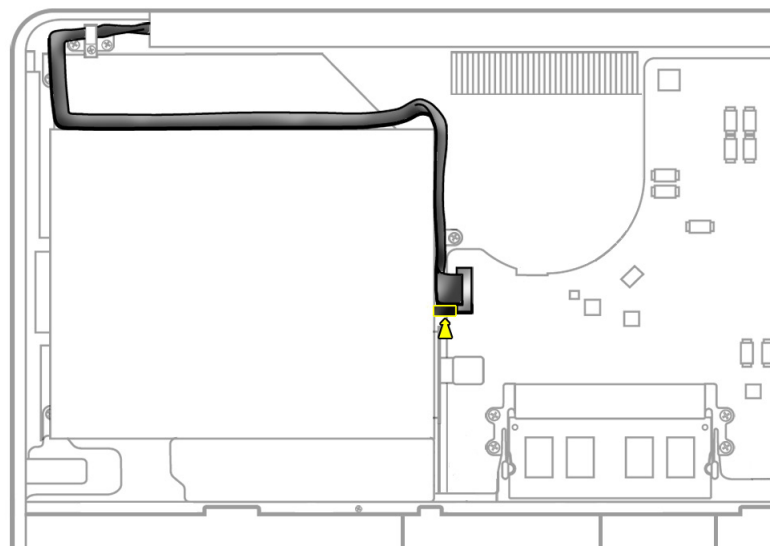
(A) Glossy display has a black border and the glass runs edge-to-edge

(B) Antiglare display has a silver bezel, no glass, and a matte finish.



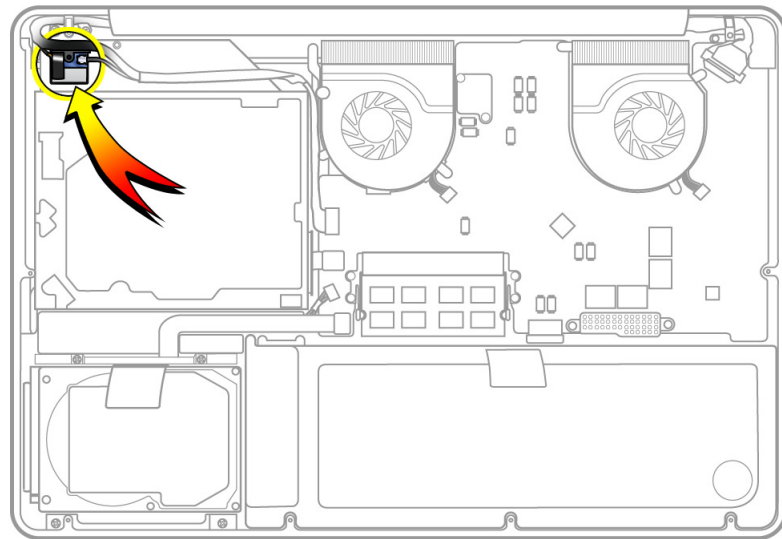
### Internal difference:

The glossy display models do not have a Bluetooth card and antenna in the top left corner.





The antiglare display models have a Bluetooth card and antenna in the top left corner.



## The Glass Panel

**Warning:** The glass panel for this model is not a serviceable part. If the glass is broken or scratched, replace the display assembly. Attempting to remove the glass can permanently shatter the display face and damage other parts.

To clean the glass panel, use the Apple polishing cloth (922-8245) and iKlear Apple Polish or Brilliance anti-static spray cleaning solution. Alternatively, IPA (isopropyl alcohol) can be used.





## Keycap Replacement

Service packages of 78 replacement keycaps are now available in the U.S. and Canada (U.S. version keyboard only) for designated MacBook and MacBook Pro computers. The packages allow you to replace individual keycaps rather than the entire top case.

There are four different keycap packages, based on the color of the key and the type of keyboard (version D and S).

Part number	Key color	Keyboard
922-9277	Black	Version D
922-9279	Black	Version S
922-9278	White	Version D
922-9280	White	Version S

For step-by-step instructions, refer to the relevant support article: [“MacBook/MacBook Pro: Black Keycap Replacement” \(HT4002\)](#) or [“MacBook: White Keycap Replacement” \(HT4003\)](#).

For an overview of the differences among keycap procedures, refer to [“MacBook/MacBook Pro: Keycap Replacement Matrix” \(HT4001\)](#).

---

# **Apple Technician Guide**

## **Troubleshooting**

---

### **MacBook Pro (15-inch, Mid 2009)**



# General Troubleshooting



## Update System Software

**Important:** Whenever possible before beginning troubleshooting, ensure the latest software and firmware updates have been applied.

## Apple Service Diagnostics

Run Apple Service Diagnostic to determine if any of the thermal sensors are malfunctioning. Replace any failing sensors. See chart below for correlation between error code and part.

Name	Location
TC0D	Logic Board
TC0P	Logic Board
TG0D	Logic Board
TG0H	Logic Board
TG0P	Logic Board
TG0T	Logic Board
Th2H	Logic Board
TN0D	Logic Board
TN0P	Logic Board
Tm0P	Logic Board
Ts0P	Trackpad flex
TB0T	Battery pack
TB1T	Battery pack
TB2T	Battery pack
TB3T	Battery pack

## Test Points

There is no silkscreen text on final production logic boards. Test points mentioned in troubleshooting charts are solely for reference.

## Troubleshooting Theory

For general information on troubleshooting theory, refer to:

[http://service.info.apple.com/service\\_training/en/006/troubleshoot/index.php?page=intro](http://service.info.apple.com/service_training/en/006/troubleshoot/index.php?page=intro)





## Hardware vs. Software

For information on how to isolate a hardware issue from a software issue, refer to:

TS1394—Mac OS X: Troubleshooting installation and software updates <<http://support.apple.com/kb/TS1394>>

HT2956—Troubleshooting Mac OS X installation from CD or DVD <<http://support.apple.com/kb/HT2956>>

For information on how to troubleshoot a software issue, refer to:

HT1199—Mac OS X: How to troubleshoot a software issue <<http://support.apple.com/kb/HT1199>>

## Clamshell Service Diagnostic Read Me

Isolating video and wireless issues in portable computers can be time consuming and confusing. The Clamshell Service Diagnostic (CSD) is a new diagnostic tool that checks Apple's latest portable computers for the presence of AirPort, Bluetooth, LCD and Ambient Light Sensor (ALS) to assist you in quickly making a failure determination.

Troubleshooting benefits of using CSD include:

- Quick way (less than 1 minute) to determine whether clamshell-related modules (AirPort, Bluetooth, LCD and ALS) are electrically connected without taking apart the system.
- Results of CSD can help pinpoint if any clamshell cables may need to be reseated to logic board.
- Diagnostic results can help isolate a video or wireless issue to either the clamshell or the logic board, to avoid unnecessary replacements of these components.

CSD checks for the presence of the computer's:

- AirPort
- Bluetooth
- LCD
- ALS

CSD does not check for the presence of the computer's:

- iSight camera
- externally connected hardware components (such as USB or FireWire devices)

CSD does not check for issues with the OS X or other software-related problems such as application or extension conflicts.

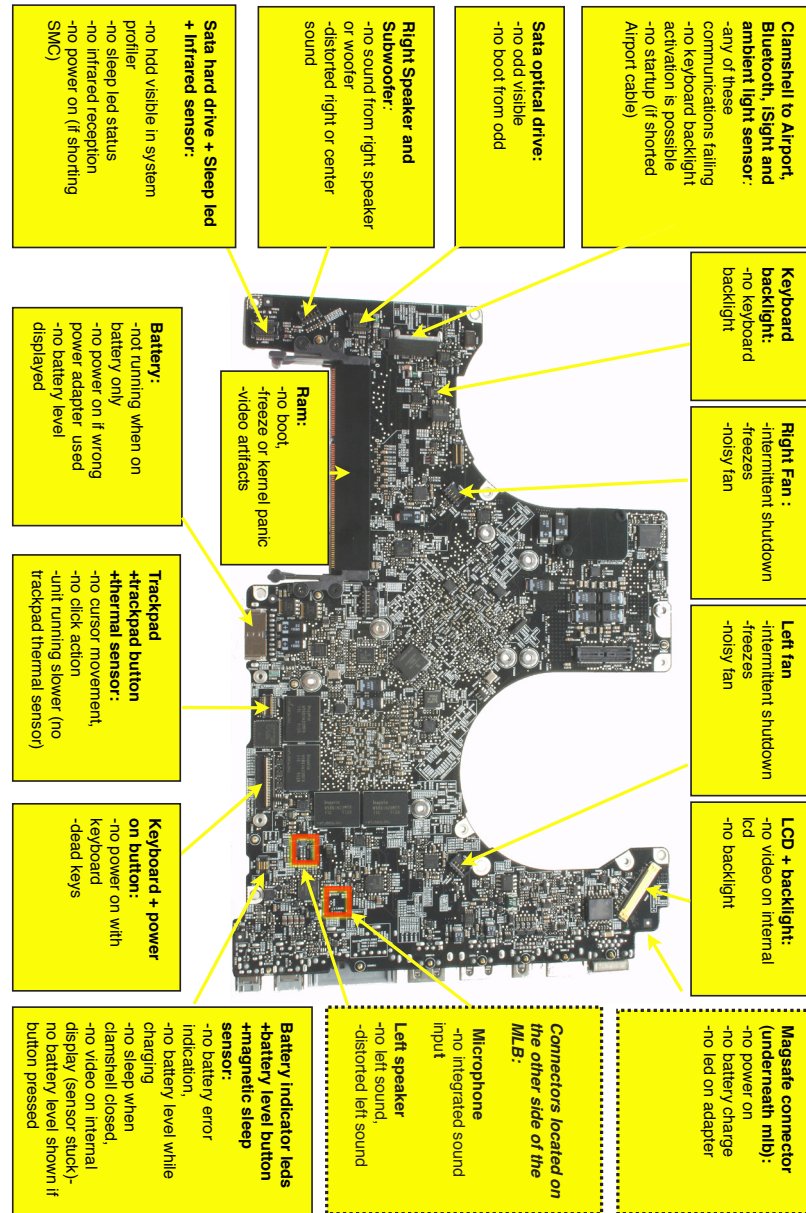
## Emerging Issues

For the latest on troubleshooting issues, refer to Global Service Exchange (GSX) and reference Service Source, Knowledge Base and the Service News tabs for product specific information.



## Functional Overview

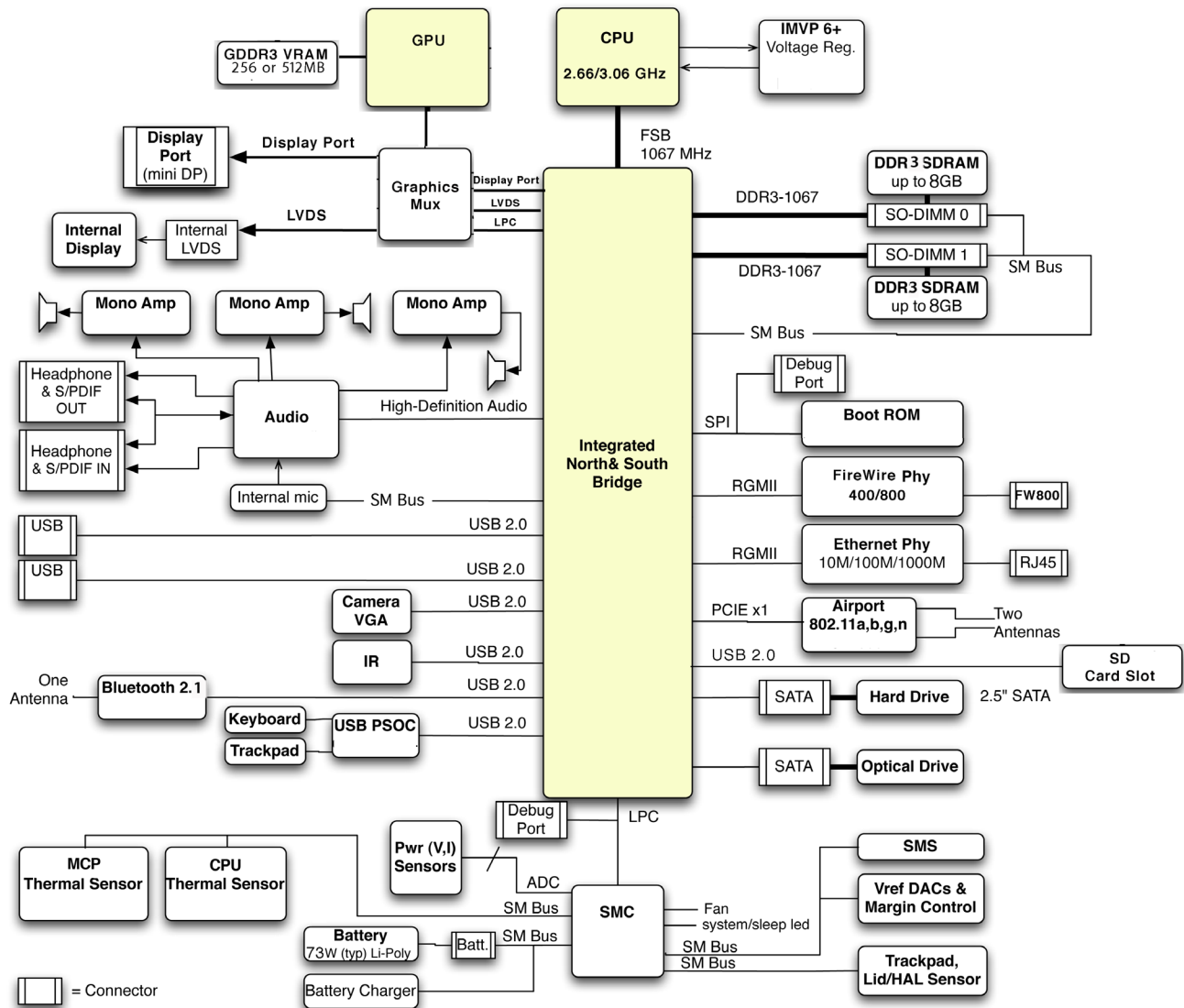
Refer to this diagram for symptoms related to MacBook Pro (15-inch, Mid 2009) logic board connectors.





## Block Diagram, MacBook Pro (15-inch, Mid 2009)

Refer to this diagram to see how modules are interrelated.





## Liquid Contact Indicators

Liquid Contact Indicators (LCI) have been added to specific locations on current Mac portables and desktop keyboards to help determine if systems have been exposed to liquid. Damage due to liquid exposure is not covered by the Apple one (1) year limited warranty or the AppleCare Protection Plan (APP). Normally represented by small white dots, the LCIs turn red when they have come in contact with liquid, such as an accidental spill.

**Important:** The Liquid Contact Indicator (LCI) is a tool that helps technicians identify whether or not a product has been in contact with liquid. Technicians should not rely solely on this tool, but should perform a thorough examination for signs of liquid contact, such as corrosion.

For more information, refer to Knowledge Base article HT3400: “About Liquid contact indicators (LCI) on portable and desktop computers.” <http://support.apple.com/kb/HT3400>

## Common Reset Procedures

When a reset procedure is required for troubleshooting, follow the applicable steps:

### Resetting the System Management Controller (SMC)

To reset power management via the SMC chip:

1. If the computer is on, turn it off by choosing Shutdown from the Apple () menu.
2. Connect the power adapter to the computer and to a working power source.
3. **Important:** Use the keys on the left side of the keyboard. On the built-in keyboard, press Shift-Control-Option along with the power button once.

**Note:** When the LED on the MagSafe connector is orange, resetting the SMC will change it to green for a few seconds, indicating that SMC was correctly reset.

4. Wait 5 seconds and press the power button to restart the computer. **Note:** If bottom case is removed, you may alternately reset the SMC by disconnecting the power adapter and the main battery, and holding the power button down for five seconds.

For more information:

<http://www.apple.com/support>

HT3964—Apple Portables: Resetting the System Management Controller (SMC)

<<http://support.apple.com/kb/HT3964>>



## Resetting the Parameter RAM (PRAM)

To reset PRAM,

1. If the computer is on, turn it off.
2. Locate the following keys on the keyboard: Command, Option, P, and R. You will need to hold these keys down simultaneously in Step 4.

**Note:** If the keyboard does not have an Option key, use the Alt key instead.

3. Turn on the computer.
4. Press and hold the Command-Option-P-R keys.

**Important:** You must press this key combination before the gray screen appears.

5. Hold the keys down until the computer restarts and you hear the startup sound for the second time.
6. Release the keys.

For more information:

<http://www.apple.com/support>

HT1379—Apple Portables: Resetting the PRAM <<http://support.apple.com/kb/HT1379>>

## Starting Up in Safe Mode

A Safe Boot is a special way to start Mac OS X when troubleshooting. To start up into Safe Mode (Safe Boot),

1. Make sure the computer is shut down.
2. Press the power button.
3. Immediately after you hear the startup tone, press and hold the Shift key.

**Note:** The Shift key should be held as soon as possible after the startup tone but not before.

4. Release the Shift key when you see the screen with the gray Apple and progress indicator (looks like a spinning gear). During startup, "Safe Boot" appears on the Mac OS X startup screen. To leave Safe Mode, restart the computer normally, without holding down any keys during startup.

For more information:

<http://www.apple.com/support>

HT1564—What is Safe Boot, Safe Mode? <<http://support.apple.com/kb/HT1564>>

TS1884—Safe Boot take longer than normal startup <<http://support.apple.com/kb/TS1884>>



## Display Issue: Pixel Anomalies

When displaying a single color over the screen area, the LCD panel might show one or more pixels that are not properly lit. To determine if the display has an acceptable number of pixel anomalies, follow the steps below:

1. Set the display image to one of the following colors: all-white, all-red, all-green, all-blue, or all-black display. Knowledge Base article 112125: "Service Diagnostics Matrix," has the LCD Tester Diagnostic Utility that will generate these patterns on the screen.
2. Using a jeweler's loupe, pocket microscope, or other magnifying device, identify and count each pixel anomaly:

Bright subpixel anomaly = subpixel that is always on

Dark subpixel anomaly = subpixel that is always off

3. The number of acceptable pixel anomalies for this computer is:

Bright	Up to 3
Dark	Up to 5
Combination	Up to 7

4. If the number of subpixel anomalies exceeds the acceptable number shown above, replace the LCD panel display assembly. Numbers outside the acceptable range would be

Bright	4 or more
Dark	6 or more
Combination	8 or more

5. If the number of subpixel anomalies is acceptable, explain to the customer that the pixel anomalies are within specifications, and no repair is necessary.

**Important:** Do not release the specifications to customers. Instead, inform them that a certain number of subpixel anomalies are considered acceptable, and these factors apply to all manufacturers using LCD technology—not just Apple products.

When speaking with customers, please use the following explanation:

- Active-matrix LCD technology uses rows and columns of addressable locations (pixels) that render text and images on screen. Each pixel location has three separate subpixels (red, green, and blue) that allow the image to be rendered in full color. Each subpixel has a corresponding transistor responsible for turning the subpixel on or off.
- There are typically millions of these subpixels on an LCD display. For example, the LCD panel used in the Apple Cinema HD display is made up of 2.3 million pixels and 6.9 million red, green, and blue subpixels. Occasionally, a transistor does not work perfectly, which may result in the affected subpixel being turned on (bright) or turned off (dark). With the millions of subpixels on a display, it is quite possible to have a low number of faulty transistors on an LCD. Therefore, a certain number of subpixel anomalies are considered acceptable. Rejecting all but perfect LCD panels would significantly increase the retail price for products using LCD displays. These factors apply to all manufacturers using LCD technology—not just Apple products.



# Symptom Charts

Follow the steps in the order indicated below. If an action resolves the issue, retest the system to verify. **Note:** A compilation of Quick Check tables is available at <http://service.info.apple.com/QRS/en/quickreference.pdf>.

**Note:** There is no silkscreen text on final production logic boards. The photos shown with test points are from pre-production units and are solely for reference.

## Startup and Power Issues

### No Power

Unlikely cause: display assembly, speakers, optical drive, hard drive

#### Quick Check

Symptom	Quick Check
<b>No Power / Dead Unit</b> <ul style="list-style-type: none"> <li>• No power</li> <li>• No image</li> <li>• No startup chime</li> <li>• No fan or hard drive spin</li> <li>• No reset sound from optical drive</li> <li>• No sleep LED activity</li> <li>• No light if Caps Lock pressed</li> <li>• Non-operational</li> </ul>	<ol style="list-style-type: none"> <li>1. Verify AC power presence with MagSafe LED indicating on or charge state.</li> <li>2. Verify battery status as being partly charged, charging with AC power.</li> <li>3. Reset SMC.</li> <li>4. Run Battery Diagnostic Utility.</li> </ol>

#### Deep Dive

Check	Result	Action	Code
1. Isolate peripherals as cause. Disconnect all peripherals and external devices and verify unit starts.	Yes	Suspect peripherals as cause. Reconnect each one at a time, verifying unit operation as external device is reinstalled.	
	No	Go to step 2	

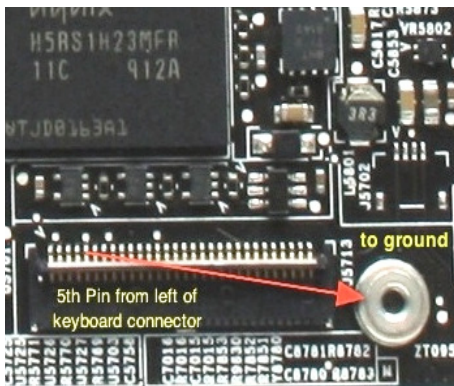


2. Reset SMC (remove all system power for 1 minute), and verify unit starts. Can system start up after SMC reset?	Yes	Corrupt SMC state preventing power on. Issue resolved with SMC reset.	
	No	Go to step 3	
3. Will system power up with battery only? Check battery level LED indicator for status of battery charge or battery use error. Inspect battery connector for burn marks or damaged pins if substituting a known-good battery to verify starting on battery.	Yes	System can start up from known-good battery -- customer battery possibly at fault or needs to be charged. Continue to verify customer battery then AC adapter use and battery charging. Go to step 4.	<b>P11</b>
	No	System will not power using known-good battery only. Go to step 5	
4. Customer battery may be run down, or not recognized. Verify customer battery in a known-good system is recognized and accepting a charge. Confirm customer battery is not consumed nor defective.	Yes	Battery is recognized, charging and health is good. Return to test unit with customer battery and AC adapter power. Go to step 6.	
	No	Replace customer battery for not charging (P10) or not recognized (P11). Customer to purchase a replacement battery if consumed.	<b>P10</b> or <b>P11</b>
5. Inspect battery cable connection at logic board and reseat if necessary. Replace cable if found damage or burned. Can the system power on from a charged battery with battery cable inspections or replacement?	Yes	Battery power restored, return to test unit with customer battery and AC adapter power. Go to step 6.	
	No	Logic board is expected to power on with battery only. Inspect and test power on key. Go to step 10.	
6. Inspect MagSafe power adapter. Verify AC adapter is correct wattage, compatible with product and works on known-good computer.	Yes	Power adapter is good, go to step 7	
	No	Release stuck pin or replace adapter due to wire damage, not working or burned pins	<b>P14</b>
7. Inspect MagSafe port on computer for physical damage, debris or metal fragments attracted to magnetic connector. Is MagSafe connector clean and free from defects?	Yes	Go to step 8	
	No	Clean port assembly. Replace MagSafe board if necessary.	<b>X03</b>





<p><b>8.</b> Verify adapter status LED turns on green then orange indicating power and battery charge in progress. A green LED can indicate a full battery, removal of battery or battery not recognized.</p>	Yes	System starts and has power. MagSafe LED indicates power is flowing to logic board. Verify customer battery will also charge. Review battery health to ensure customer satisfaction.	<b>P11</b>
	No	AC power is down or battery is not charging. Go to step 9	
<p><b>9.</b> Verify power from adapter is present on logic board. Remove system battery, use AC power only. Reseat or test known-good MagSafe cable to achieve power for logic board.</p>	Yes	Logic board has power adapter energy to start system. MagSafe cable reseat or replacement resolved issue. If still no system power on indications, go to step 10	<b>X03</b>
	No	AC adapter power not going to logic board power supplies. Replace logic board.	<b>M21</b>
<p><b>10.</b> Remove two screws on metal cable cover to access keyboard connector.</p> <p>-Plug known good powered AC adapter.</p> <p>-Try to power system using power key</p> <p>-If no power, use conductive tool to short pin 5 of keyboard connector with ground on logic board as seen on image to the left. (Make sure you don't touch any other pins on the connector.)</p> <p>-Does system power on?</p> <p>-If not, power on key may be stuck. Disconnect keyboard cable and try shorting pin 5 to ground.</p> <p>- Does the system power on?</p>	Yes	Power on key works fine, issue resolved.	
		Power on key works after keyboard cable is reseated. Issue resolved.	
		Power on key was stuck, had to disconnect keyboard cable to be able to power on by shorting pin 5 to ground.	<b>K05</b>
		Replace top case for stuck power on key.	
	No	No logic board power on when shorting keyboard pin 5 to ground.	<b>M01</b>
		Replace logic board.	





## Won't Start Up

Unlikely cause: display assembly, speakers, fan, camera, microphone

### Quick Check

Symptom	Quick Check
<p><b>Power but No start up</b></p> <ul style="list-style-type: none"> <li>No startup chime, some video activity, Apple logo, startup spin dial</li> <li>Startup chime with possible beep tones.</li> <li>Fan, hard drive spin or optical drive reset sound</li> <li>Sleep LED is on , blinking or went out</li> <li>Caps Lock LED toggles when pressed</li> </ul>	<ol style="list-style-type: none"> <li>Reset SMC.</li> <li>Verify startup process passes initial memory checks – no beep errors or flashing sleep LED indicators. Display activity is starting up.</li> <li>Clear PRAM. Verify starts up from user drive.</li> <li>Connect known-good external bootable device and press Alt key during startup then select external startup device to bring up system for diagnostics.</li> <li>Verify presence and status of user hard drive. Use Disk Utility to repair drive and file permissions.</li> </ol>

### Deep Dive

Check	Result	Action	Code
1. Reset SMC and Clear PRAM to set default startup device to internal hard disk drive (HDD).	Yes	User hard drive bootable, issue resolved default settings.	
	No	Customer system not starting up, go to step 2	
2. Is system indicating a memory error with repeated sleep LED 1 or 3 flash sequence and beep tones if sound is enabled?	Yes	Troubleshoot memory issues, go to step 3	
	No	Continue with startup sequence verification go to step 4	



3. Reseat customer memory and/or swap in known-good memory to isolate bad memory and replace defective parts.	Yes	Customer memory defective and replaced. Continue to verify startup process. Go to step 4	<b>X02</b>
	No	Should known-good memory fail in one or more slots, replace logic board.	<b>M07</b>
4. Hold the Alt (Option) key during startup and verify there is a bootable hard drive shown in Startup Manager. Choose customer hard drive. Does start up from this drive work?	Yes	System starting up from customer hard drive. Startup issue resolved	
	No	Customer hard drive not present or does not start up from this drive. Continue to find bootable device. Go to step 5	
5. Insert product OS install disc in optical drive. Install disc is bootable and should be present in Startup Manager. Can system start up from OS install disc?	Yes	Starts up from optical drive - customer hard drive not yet bootable, go to step 8	
	No	Computer has no internal bootable devices. Test external startup devices, go to step 6	
6. Boot from a known-good bootable copy of product OS on a USB drive or network server to start up and verify internal mass storage devices are available using System Profiler and Disk Utility.	Yes	System started up from external device and reports data regarding internal SATA devices. Go to step 7	
	No	No startup devices available. Replace logic board	<b>M02</b>
7. Troubleshoot optical drive and optical drive cable with cable reseat and known-good part substitutions. Is there a defective optical drive component to replace?	Yes	Cable reseat solved issue. Continue to verify hard drive issues, go to step 8	
		Defective optical drive cable found and replaced. Continue to verify hard drive issues, go to step 8	<b>X03</b>
		Defective optical drive found and replaced. Continue to verify hard drive issues, go to step 8	<b>J03</b>
	No	Replace logic board	<b>M19</b>



8. Use Disk Utility loaded from OS install disc to verify if hard drive is available on device list. Is customer hard drive listed in Disk Utility?	Yes	Customer hard drive available for inspections and repair. Go to step 10.	
	No	Hard drive not present, troubleshoot hard drive and cable. Go to step 9.	
9. Troubleshoot hard drive and hard drive SATA cable with cable reseal and known-good part substitutions. If customer hard drive, is there a defective hard drive component to replace?	Yes	Reseat of SATA cable now has customer hard drive visible in Disk Utility, go to step 10	
		Defective hard drive SATA cable found and replaced, now has customer hard drive visible in Disk Utility, go to step 10	<b>X03</b>
		Suspect customer hard drive defective, attempt OS restore, go to step 10	
	No	Known-good hard drive and known-good hard drive SATA cable used, still no hard drive present. Replace logic board	<b>M19</b>
10. Boot system with Shift key down. Does it work?	Yes	Go to software troubleshooting article	
	No	Go to step 11	
11. Use Disk Utility to repair customer hard drive and repair permissions if system OS found on hard drive. Is hard drive bootable after software repairs?	Yes	OS on customer hard drive repaired, issue resolved.	
	No	Hard drive not bootable, perhaps missing OS, go to step 12	
12. Use Disk Utility to partition customer hard drive with one GUID partition then restore Mac OS from product OS install disc. Is hard drive bootable after OS install?	Yes	Customer hard drive now starts up from new OS image, issue resolved	
	No	Replace hard drive.	<b>H02</b>



## Intermittent Shutdown

Unlikely cause: hard drive, optical drive

### Troubleshooting Shutdown Causes

Your computer's system log may record why it shut down or went into sleep mode. Reviewing SMC codes in the system.log of the Console application may provide some information about why the event occurred.

To review SMC codes in the system.log in Console:

1. Open the Console application. Console is located in the /Applications/Utilities/ folder.
2. Select Open System Log under the File menu.
3. Using the filter in the upper right corner, search for "Cause."
4. Use the table below to interpret the cause and review the suggestion if shutdown was unexpected.

Example: Entry found "Jun 6 18:06:28 localhost kernel[0]: Previous Shutdown Cause: 5"

By looking for the code 5 in table below, you will discover that computer shut down was caused by user selection of System Menu option "Shutdown..."

Depending on the cause reported, the shutdown could be fixed by using the Quick Check table, or the Deep Dive troubleshooting.

Shutdown Cause Number	Cause	Suggested Fix
3	Forced shutdown: Normal behavior, if power button was pressed for more than 4 seconds.	If shutdown was unexpected, check top case (for power button stuck or shorted cable).
5	Normal shutdown: Normal behavior if software initiated shutdown/restart.	If shutdown was unexpected, check Energy Saver setting in System Preferences.
-2	Power supply disconnected: Normal behavior if power source was removed from computer with no battery.	If shutdown was unexpected, check power cord/power supply (for intermittent failure or bad connection).
-60	Battery fully drained: Normal behavior if unit was left asleep on battery for too long.	Charge battery.
0	Battery/Power disconnected: Normal behavior if battery was removed while system was on and no other power source connected.	If shutdown was unexpected, check battery/power supply.



Shutdown Cause Number	Cause	Suggested Fix
-61	Watchdog timer detected unresponsive application, shutting down the system.	Troubleshoot for stuck application, startup item and any loading preferences (Mac OS X Server Energy Saver).
-62	Watchdog timer detected unresponsive application, restarting the system.	Troubleshoot for stuck application, startup item and any loading preferences (Mac OS X Server Energy Saver).
-3	Multiple temperature sensors exceeded the defined limit..	Run Apple Service Diagnostics to check which sensor went beyond expected thermal limits.
-71	SO-DIMM Memory temperature exceeds limits	Swap memory module and check with known-good one to confirm issue is with memory; also check fans and air flow.
-74	Battery temperature exceeds limits.	Swap battery and check with known-good one to confirm issue is with customer battery.
-75	Communication issue with AC adapter.	Check MagSafe connector/adapter plug/cable.
-78	Incorrect current value coming from AC adapter	Check AC adapter plug/cable.
-79	Incorrect current value coming from battery	Check battery and battery connection to logic board.
-86	Proximity temperature exceeds limits.	Check thermal contact with heatsink, fan connection/activity.
-95	Temperature exceeds limits.	Check thermal contact with heatsink, fan connection/activity.
-100	Power supply temperature exceeds limits.	Check fans and air flow.
-101	LCD temperature exceeds limits.	Check LCD panel and environment temperature.
-103	Battery cell under voltage detected.	Check battery.



## Quick Check

Symptom	Quick Check
<b>Intermittent shutdown</b> <ul style="list-style-type: none"> <li>• Powers off during startup</li> <li>• Powers off with desktop use</li> </ul>	<ol style="list-style-type: none"> <li>1. Verify battery charge status</li> <li>2. Check AC adapter MagSafe connector and connection with system</li> <li>3. Reset SMC and PRAM</li> <li>4. Start up with shift key down for safe mode</li> <li>5. Startup from known-good bootable device</li> <li>6. Check system.log info for shutdown cause</li> <li>7. Run AHT /ASD for sensors + thermal test</li> </ol>

## Deep Dive

Check	Result	Action	Code
<b>1.</b> Identify shutdown code recorded in system log file. Open the system.log file with console application. Search for occurrences of “previous shutdown cause” return codes. Verify system log looking for codes that indicate abnormal shutdown events.	Yes	-Intermittent power means checking battery health , AC source and MagSafe cable seating ;go to step 4  -Sleep means running sleep sensor test;go to step 7  -Overtemp means checking for clogged heatsink, shorted sensors cables or defective fan; go to step 8	
	No	system.log lists only normal shutdown codes, no codes related to heat sensors or power concerns. Go to step 2	
<b>2.</b> Reset SMC and clear PRAM; then monitor system performance to verify if system shutdowns cease. Are shutdown symptoms and events gone?	Yes	Shutdown cause related to SMC or PRAM resolved by changing to default settings.	
	No	Shutdown event still occurs. Go to step 3.	



<b>3.</b> Start up from product OS install disc or from an external hard drive with product Mac OS. Are shutdown symptoms and events gone while starting up from this known-good Mac OS?	Yes	Shutdown events cease on known-good OS. Reinstall Mac OS on customer hard drive and update OS with latest version and check if bootROM updates are available.	
	No	Symptoms unchanged - go to step 4	
<b>4.</b> Check system running on battery only. Use known-good charged battery. Verify that shutdown/reset/sleep issues disappear when known-good battery is used without AC adapter.	Yes	Recharge customer battery and retest. Check for customer battery health in Apple System Profiler or run battery testing utility, and replace if reported battery health is reported bad or consumed.	<b>P09</b>
	No	Symptoms unchanged - Go to step 5	
<b>5.</b> Check with known-good AC adapter source only Remove battery and use known-good AC adapter. Does the shutdown/reset/sleep issue disappear with known-good adapter?	Yes	Faulty adapter. Replace customer AC adapter if AC cable and duckhead were confirmed faulty.	<b>P14</b>
	No	Symptoms unchanged - Go to step 6	
<b>6.</b> Check if power removed error reported "improper shutdown detected" in system.log If shutdown error is related to power removed shutdown cause, run ASD and check for overvoltage sensor failure reported.	Yes	If voltage or current sensor failure confirmed in ASD w/known good DC and batteries, replace logic board.	<b>MO8</b>
	No	Go to step 9	





7. Check if sleep event happens repeatedly in system.log If sleep/wake events are repeatedly reported, plug external monitor and run ASD to check for sleep sensor test. Verify if sleep sensor test is failing.	Yes	Check for intermittently shorted BIL/sleep sensor in top case. If damaged, replace BIL/sleep sensor cable of top case.	<b>X03</b>
		Reseat and retest sleep sensor with ASD. If failing again, check with a coin for presence of a magnet in left side of display clamshell. If magnet present, replace BIL/Sleep Sensor cable and retest.	<b>X03</b>
		If magnet missing, replace display assembly.	<b>L15</b>
		If still sleep sensing failing after above test, replace logic board	<b>M22</b>
	No	Go to step 8	
8. Check if over temp cause reported in system.log If shutdown error is related to over temp shutdown cause, run ASD and verify that a sensor or fan failure is reported.	Yes	-If fan not running failure, check for fan cable seating and retest. If same failure after retest replace fan with known-good fan and retest. If does not happen with known-good fan, replace fan.  -If over temp failure reported check for cause of over temp like obstructed vent, dust in heatsink fin, or clogged fan and retest. If still failing replace part where sensor is located (logic board, battery, display assembly or trackpad) according to the sensor location table of service manual. Go to step 9	<b>M18</b>  <b>X03</b>
	No	Replace Thermal module Go to step 9	<b>X10</b>
9. Isolate if issue solved Verify that shutdown/issue does not happen anymore after part exchange.	Yes	Issue fixed	
	No	Replace logic board with corresponding symptom: -if for thermal error cause -if for other cause	<b>M18</b> <b>M08</b>



## No Video/Bad Video

Unlikely cause: hard drive, optical drive, top case, battery, power adapter

### Quick Check

Symptom	Quick Check
<b>Power, but No Video</b> <ul style="list-style-type: none"> <li>• Power</li> <li>• No video</li> <li>• fan, hard drive spin, or optical drive reset sound</li> <li>• sleep LED is on or went on</li> <li>• light if Caps Lock pressed</li> </ul>	<ol style="list-style-type: none"> <li>1. Reset SMC.</li> <li>2. Reset PRAM.</li> <li>3. If no startup chime, verify with known-good memory.</li> <li>4. Verify with external monitor.</li> <li>5. Press Alt key on startup..</li> </ol>

### Deep Dive

Check	Result	Action	Code
<b>1. Characterize video issue</b> Define whether the issue is a bad image with backlight OR no video issue. Verify whether some image even distorted is visible.	Yes	Bad image quality, go to step 5	
	No	No image seen or no backlight, go to Step 2	
<b>2. Isolate Peripherals as cause</b> Disconnect all peripherals, external devices, Express Card and display adapters if present and verify that video is displayed.	Yes	Suspect peripherals as cause. Reconnect one at a time, verifying unit operation at each stage	
	No	Go to Step 3	
<b>3. Adjust Brightness</b> Power-on unit , attempt to adjust brightness to maximum using brightness (F1/F2) keys and verify that video is displayed.	Yes	Video displayed - Brightness set to minimum, panel backlight was inadvertently turned off. If backlight returns to low check for stuck F1 key on keyboard.	
	No	Go to Step 4	



4. Reset SMC and verify that system video is displayed.	Yes	Corrupt SMC State preventing video.	
	No	Go to Step 5	
5. Reset PRAM. If no action, use external keyboard with same sequence. Verify that system video is displayed.	Yes	Invalid or Corrupt PRAM contents affecting video output	
	No	Go to step 6	
6. Connect External video Connect known-good VGA/DVI adapter to known-good display, press power button and close display to force main screen startup on external video. Verify that video is correct when displayed from external display.	Yes	Video correct on external display. Research available firmware and software updates, retest.  If returning with software already updated, go to Step 7	
	No	Replace logic board with according symptom code: -no video -bad/distorted video	<b>M03</b> <b>M04</b>
7. Isolate LCD display detection Disconnect external monitor and reopen display and restart unit. Verify that sleep LED indicator goes off after internal LCD has been detected.	Yes	Sleep LED goes off when LCD detected. -If still no video then Go to step 8, -If video present, but with defect, go to step 9	
	No	Internal LCD not detected. Run Clamshell Service Diagnostic utility and check for LCD panel presence. If not found, reseal LVDS cable connection on logic board and retest. If sleep led still does not go off after cable is reseated, go to step 10	



<p><b>8.</b> Check for sleep sensor condition. If display assembly sleep sensor is stuck in a closed state, video will appear on internal display temporarily, until the OS sleeps the system. Disconnect BIL/ sleep cable and restart unit without external display. Verify that system starts up with video on internal display stays on and does not go into sleep mode.</p>	Yes	Sleep sensor was stuck or had shorted cable. Replace BIL/ sleep sensor cable.	<b>X13</b>
	No	Symptoms unchanged - Go to Step 9	
<p><b>9.</b> Check for No Backlight Condition. Power on unit. Using a lamp or bright light source, inspect for faint image, and verify that faint image appears.</p>	Yes	Logo image visible - check LVDS cable and inspect for damage near clutches: . if damaged, replace display assembly and go to step 11 . if cable is not damaged, run Clamshell Service Diagnostic utility and check for LCD panel presence, If not found, reseal LVDS cable and retest, then go to step 11	<b>L09</b>
	No	If symptom continues, go to step 10.	
<p><b>10.</b> Verify with Known good display assembly Connect known-good display assembly to system.</p>	Yes	System is functioning with known-good display assembly Replace display assembly if following symptom reporting: - had no power issue - had incorrect/missing colors - had blank video - had distorted / blurred video - had vertical/horizontal lines - had noise/unstable flickering - had dim backlight - had bad spot(s)/pixels - had no backlight - could not change resolution	<b>L01</b> <b>L02</b> <b>L03</b> <b>L04</b> <b>L05</b> <b>L06</b> <b>L07</b> <b>L08</b> <b>L09</b> <b>L10</b>
	No	Symptoms unchanged - replace logic board	<b>M03</b>



11. Verify with reseated backlight cable or replaced display assembly Verify that unit now has video and backlight.	Yes	Issue was only due to damaged display assembly or unseated cable.	
	No	Display cable damaged the logic board. Replace logic board.	<b>M25</b>

## Battery Isn't Recognized or Won't Charge

Unlikely cause: display assembly, speakers, optical drive, hard drive, trackpad

### Quick Check

Symptom	Quick Check
<b>Battery isn't recognized or won't charge</b> <ul style="list-style-type: none"> <li>• AC adapter</li> <li>• No MagSafe LED indicator</li> <li>• No orange charge indication</li> <li>• Battery status LEDs: <ul style="list-style-type: none"> <li>- single chase</li> <li>- all flash</li> <li>- no LED</li> </ul> </li> </ul>	<ol style="list-style-type: none"> <li>1. Check battery level and test AC power.</li> <li>2. Reset SMC by pressing the (left) Shift-Control-Option keys along with the power button once.</li> <li>3. Test system, using Battery Diagnostic Utility.</li> </ol>

### Deep Dive

Check	Result	Action	Code
1. Does the MagSafe LED go green to amber when connected to the system?	Yes	Battery is recognized and charging. Go to step 6	
	No	LED is green, Battery may be full or not recognized. Go to step 2	
		LED was on momentarily then went out. Go to No Power for system (M01)	
2. When the Battery status button is pressed, did any of the lights come on?	Yes	Go to step 3	
	No	Go to step 11	



3. Does battery status indicate a fully charge battery with all LEDs on?	Yes	Customer battery charged, check health. Go to step 13.	
	No	Go to step 4	
4. Does battery status indicate the battery is not recognized with a single LED on that chases back and forth 5 times?	Yes	Go to step 8 and tag battery as a possible P11 candidate.	<b>(P11)</b>
	No	Go to step 5	
5. Does battery status indicate the battery is recognized but not charging with all LEDs blinking?	Yes	Go to step 8 and tag battery as a possible P10 candidate	<b>(P10)</b>
	No	Go to step 6	
6. Does battery status indicate battery charge and flash the next level 5 times?	Yes	Customer battery charging, check battery condition. Go to step 13	
	No	Flashing first LED only, go to step 7	
		No battery status LEDs on, go to step 11	
7. Does battery status indicate a low battery with a LED flashing rapidly indicating initial charging of battery?	Yes	Allow customer battery to charge to 1 LED on before checking battery condition. Go to step 13.	
	No	Go to step 8	
8. Test with a known-good battery. Is battery recognized and charging?	Yes	Replace customer battery (P10 not charging or P11 not recognized)	<b>P10 or P11</b>
	No	Go to step 9	
9. Inspect customer battery contacts and battery cable connector for corrosion or obstructions.	Yes	Clear obstructions or replace the battery if cable if corroded and recheck..	<b>X03</b>
	No	Go to step 10	
10. Reseat battery harness at logic board connector, and retest. Is battery recognized and charging?	Yes	Issue resolved by cable reseat. Check battery condition, go to step 13	
	No	Replace logic board	<b>M20</b>



11. Battery status LEDs not working - inspect button stuck or cable disconnect at logic board and reset SMC.	Yes	LED status now working. Go to step 3.	
	No	Go to step 12.	
12. Remove system battery and connect and test a known-good battery status indicator assembly. Do LEDs indicate a battery not recognized chase pattern?	Yes	Replace customer battery LED indicator assembly. Go to step 3	<b>X03</b>
	No	Replace customer logic board.	<b>M20</b>
13. Open Apple System Profiler and click on the Power Tab on the left. Is the battery over 300 cycle counts?	Yes	Battery has been consumed, and customer will need to purchase a replacement.	
	No	Go to step 14.	
14. Is battery less than a year old?	Yes	Go to step 16	
	No	Battery warranty expired, go to step 15	
15. Considering the age of the battery greater than one year old, is the health of the battery "Good" according to system profiler?	Yes	Battery is in good health and out of 1 year warranty coverage. Battery should continue to function until consumed.	
	No	Battery is consumed after warranty coverage. Customer to purchase a new battery.	
16. For batteries still covered by warranty, is the health of the battery "Good?"	Yes	Battery functioning normal. Go to step 17.	
	No	Battery has premature capacity loss. Replace customer battery.	<b>P08</b>
17. With battery charge greater than 20% does battery support system operation without AC connected?	Yes	Customer battery is good	
	No	Go to step 18	
18. Test with a known-good battery. Does known-good battery support battery only operation?	Yes	Replace customer battery for will not run system on battery alone	<b>P12</b>
	No	Replace logic board	<b>M20</b>



## Kernel Panic/System Crashes

Unlikely cause: Battery, Power Adapter

### Quick Check

Symptom	Quick Check
<b>Memory Issues/Kernel panic and freezes</b> <ul style="list-style-type: none"> <li>• Display notice of system kernel panic during start up and desktop use.</li> <li>• System freeze during use.</li> <li>• System freeze upon wake from sleep.</li> </ul>	<ol style="list-style-type: none"> <li>1. Reset SMC and clear PRAM</li> <li>2. Remove suspect external devices.</li> <li>3. Verify user memory is Apple-approved memory, and memory configuration matches memory installed.</li> <li>4. Start up with shift key down for safe mode.</li> <li>5. Startup from known-good bootable device</li> <li>6. Check panic.log info for crash cause</li> <li>7. Run AHT for sensors test</li> </ol>

### Deep Dive

Check	Result	Action	Code
1. Isolate Peripherals as cause. Disconnect all peripherals, external devices, and display adapters if present	Yes	Suspect peripherals as cause. Reconnect one at a time, verifying unit operation at each stage	
	No	Go to Step 2	
2. Reset SMC and clear PRAM then verify that unit starts without panic issues.	Yes	Issue resolved with default startup settings.	
	No	Go to step 3	





<p><b>3.</b> Boot in Safe Mode with Shift key down, and check for recent kernel panic data in panic log.</p> <p>Open Panic.log file on hard drive and check for affected interface that crashed. If unit still crashes during startup, you will need to take out disk to a good system to access the file. Verify that kernel panic dependency is not with an I/O interface.</p>	Yes	Kernel Panic is not a system I/O related device. Go to step 5	
	No	I/O device related crash, go to step 4	



<p>Remove I/O device where possible to pinpoint faulty device:</p> <ul style="list-style-type: none"> <li>- Disconnect camera cable from display assembly (for AirPort, Bluetooth, camera, and ambient light sensor). Camera cable can be disconnected without affecting startup and test.</li> <li>- Bluetooth card to isolate Bluetooth.</li> <li>- optical drive cable to isolate optical drive.</li> <li>- hard drive cable to isolate hard drive.</li> </ul> <p>Memory cards can be removed, relocated, or tested with known-good memory. Because system will run on one card, this is a useful test for finding bad memory or bad memory slot.</p> <p>If issue remains after testing I/O device, replace with known-good part(s) to confirm issue resolved.</p>	Yes	<p>System starts up when I/O device removed, replace affected I/O device or module containing it.</p> <p>If AirPort card presence is crashing system, replace AirPort card. If still issue, replace display assembly (for Bluetooth, camera, or cable damage).</p> <p>If Bluetooth card presence is crashing system, replace Bluetooth. If issue remains, replace display assembly for damaged Bluetooth (camera) cable.</p> <p>If optical drive presence is crashing system, replace optical drive cable and retest. If issue remains try with known-good optical drive. If still issue, replace optical drive.</p> <p>If hard drive presence is crashing system, replace hard drive cable and retest. If issue remains, try with known-good hard drive. If still issue, replace hard drive.</p> <p>Reseat memory or replace suspect memory with known-good memory.</p>	<p><b>N13</b> <b>L14</b></p> <p><b>N15 or</b> <b>L16</b></p> <p><b>X03</b> <b>J03</b></p> <p><b>X03</b> <b>H01</b></p> <p><b>X01</b></p>	
	No	Symptoms unchanged, go to step 5		
	<p>5. Start up from optical drive or known-good OS. Attempt to start up with original or product install disc, or from an external hard drive with product OS installed, and verify that system starts without kernel panic.</p>	Yes	Kernel panics cease running alternate OS. Run ASD/ DiskUtility to repair and test hard drive. If repair attempts fail, repartition hard drive and reinstall OS. Replace hard drive if restore fails.	<b>H03</b>
		No	Symptoms unchanged, go to Step 6	



6. Disconnect display assembly and test with known-good display assembly. Verify that system now starts up without kernel panic/freeze.	Yes	Replace display assembly.	<b>L14</b>
	No	Go to step 7	
7. Check for thermal values and fan running speed Run ASD to check for fan and sensors test, and verify that ASD does not report any overtemp, failing sensor, or fan.	Yes	No thermal fail detected - Replace logic board with matching symptom:  - If hang or freeze  - If Kernel Panic/system crashes	<b>M05</b>  <b>M06</b>
	No	If sensor test failed, reseal sensor connections on logic board and retest. If still failing, replace sensor or part where it is located (top case, display, other) : If top case sensor failed If display sensor failed If logic board sensor failed If fan test failed, replace fan. If overtemp , replace heatsink.	<b>X99</b> <b>L14</b> <b>M18</b> <b>X03</b> <b>X10</b>



## Battery Run Time Too Short

### Quick Check

Symptom	Quick Check
<b>Battery Run Time Too Short</b> Battery runs out of power very quickly (less than two hours)	<ol style="list-style-type: none"><li>1. Check if the battery is covered under a repair extension program. Use the “Portable Computer Battery Screening Process for Apple Service Providers” (<a href="#">Knowledge Base CP165</a>).</li><li>2. Verify no applications have runaway processes with the CPU. See “Runaway applications can shorten battery runtime” (<a href="#">Knowledge Base TS1473</a>).</li><li>3. Use “Apple Portables: Battery Life” (<a href="#">Knowledge Base HT1466</a>) to screen for short battery run time. If replaced for run time too short, regardless of warranty coverage, use symptom code <b>P09</b> if replaced.</li></ol>

## Won't Run on Power Adapter Alone

Unlikely cause: RAM, display assembly, hard drive, optical drive, top case, speakers, camera, microphone

### Quick Check

Symptom	Quick Check
<b>Won't Run on Power Adapter Alone</b> Runs on battery but not on power adapter only.	<ol style="list-style-type: none"><li>1. Verify proper wattage adapter is being used.</li><li>2. Check for dirty or stuck pins on the MagSafe connectors, both on the adapter and the computer.</li><li>3. Connect the AC adapter to known-good power source.</li><li>4. Verify power cord or plug is properly attached to AC adapter and MagSafe cable is not damaged.</li><li>5. Reset SMC by pressing the (left) Shift-Control-Option keys along with the power button once.</li></ol>



## Deep Dive

Check	Result	Action	Code
1. With battery removed, will a known-good AC adapter start up and run the system and show MagSafe LED status?	Yes	Confirm user's AC adapter as bad and replace.	<b>P14</b>
	No	Verify MagSafe board cable seating to logic board. Go to step 2	
2. Does a known-good power adapter's LED light up either green or amber?	Yes	SMC on logic board senses AC power adapter. Go to step 3	
	No	Replace the MagSafe board. Go to step 3.	
3. Does the unit run on known-good power adapter alone?	Yes	Issued resolved.	<b>X03</b>
	No	Replace logic board..	<b>M01</b>

## Power Adapter Issue

Unlikely cause: logic board, RAM, display assembly, hard drive, optical drive, top case, speakers, camera, microphone

## Quick Check

Symptom	Quick Check
<b>Power Adapter Issue</b> <ul style="list-style-type: none"> <li>• No power</li> <li>• No Power LED</li> <li>• Non-operational</li> <li>• Stuck /broken pin</li> </ul>	<ol style="list-style-type: none"> <li>1. Connect AC adapters MagSafe connector to the computer. The LED on the connector should be green or amber.</li> <li>2. Verify power cord, or plug, is firmly attached to AC adapter.</li> <li>3. Verify AC power source is supplying AC power.</li> <li>4. Check for dirty or stuck pins on the MagSafe connectors, both on the adapter and the computer. Use and cleaning of power adapter with MagSafe</li> <li>5. Reset SMC by pressing the (left) Shift-Control-Option keys along with the power button once.</li> </ol>



## Deep Dive

Check	Result	Action	Code
1. Verify that the MagSafe LED is green or amber while connecting a known-good AC adapter on customer system.	Yes	SMC on logic board senses AC power adapter and enabled power. Go to step 4.	
	No	Verify MagSafe interconnect board is connected to logic board. Go to step 2	
2. Does the unit run on known-good AC power adapter only?	Yes	Issued resolved.	<b>P99</b>
	No	Replace the MagSafe interconnect board. Go to step 3.	
3. Verify the MagSafe LED is green or amber while connecting known-good power adapter on customer system.	Yes	Bad MagSafe interconnect board. Issue resolved.	<b>X03</b>
	No	Go to step 4	
4. Does the customer's power adapter have stuck or bent pins on the MagSafe connector?	Yes	Replace power adapter.	<b>P15</b>
	No	Go to step 5	
5. Does the cable or duckhead have visible damage?	Yes	Replace cable or duckhead.	<b>P16</b>
	No	Go to step 6	
6. Check that LED on MagSafe connector is displaying both green (if battery charged) and orange (when charging).	Yes	Verify adapter with known-good unit and customer unit and troubleshoot source of error	
	No	Replace power adapter.	<b>P03</b>



## Noise / Hum / Vibration

Unlikely cause: RAM, display assembly, top case, camera, microphone, battery

### Quick Check

Symptom	Quick Check
<b>Noise / Hum / Vibration</b> Computer or AC adapter emits a noise or vibration.	<ol style="list-style-type: none"> <li>1. Verify and reproduce the source of the noise from the computer / adapter with the customer.</li> <li>2. If the AC adapter is the source of the noise disconnect and try a known-good adapter. ( a small amount of hum or vibration is normal with AC adapters ).</li> </ol>

### Deep Dive

Check	Result	Action	Code
1. Use of a known-good AC adapter eliminates the noise/ vibration.	Yes	Replace AC adapter.	<b>P04</b>
	No	Go to step 2	
2. Verify if the noise is heard through the speakers and / or headphones.	Yes	Go to step 3	
	No	Go to step 4	
3. Disconnect any peripheral devices, cards, or cables attached to the unit. Verify the noise is gone.	Yes	Check for possible ground loop.	
	No	Go to step 6	
4. Locate the source of the noise. Is the noise from an optical drive?	Yes	Check with a different media disc. Possible issue with disc label or out of balance media. If not related to media, and noise is above normal level, replace optical drive.	<b>J04</b>
	No	Go to step 5	



5. Is the noise from the hard drive?	Yes	It is normal for drives to produce noise when they spin up or the heads move. Replace drive if noise is above normal levels.	<b>H06</b>
	No	Go to step 6	
6. Is the noise coming from the fan?	Yes	The fan(s) are generally running in a slow mode, but may accelerated when intensive processing is required (calculation, 3D gaming, or screen saver animation). If still beyond expected sound level, check for interference of fan with other mechanical element of system (foam, bracket, shield) before replacing a noisy fan.	<b>X03</b>
	No	Go to step 7.	<b>P04</b>
7. Noise maybe related to interference from other electrical devices operating near the computer, or on the same AC power source. Verify if noise is gone when operating in a different location on a different AC circuit.	Yes	Perhaps operating the unit with a surge suppressor will eliminate or reduce the noise. Change location of use or limit use of other device that is inducing the noise.	
	No	Replace logic board.	<b>M99</b>





## Burnt Smell / Odor

Unlikely cause: Enclosure

### Quick Check

Symptom	Quick Check
<b>Burnt Smell / Odor</b> Computer or power adapter emits an odor or smell of smoke.	<ol style="list-style-type: none"> <li>1. Disconnect the battery and AC adapter from the computer.</li> <li>2. Attempt to identify the source of the odor. Visual clues are component damaged like capacitor chip popped or burn marks.</li> <li>3. Check <a href="#">AirPort Card cable orientation</a>.</li> </ol>

### Deep Dive

Check	Result	Action	Code
1. Has the source of the odor been identified.	Yes	Replace the affected part.	<b>P08</b>
	No	Go to step 2	
2. Are any burn marks visible on components?	Yes	Replace the affected part.	<b>P08</b>
	No	Go to step 3	
3. Refer to <a href="#">Liquid Contact Indicators</a> . Are any of the spill sensors red?	Yes	For more information, refer to Knowledge Base article <a href="http://support.apple.com/kb/HT3400">http://support.apple.com/kb/HT3400</a> : "About Liquid contact indicators (LCI) on portable computers.	
		Go to step 4	



4. Is the computer operating normally?	Yes	This could be related to normal operation. Also check for accidental damage cause using Knowledge Base article <a href="http://support.apple.com/kb/CP161">http://support.apple.com/kb/CP161</a> ."	
	No	Please refer to best related troubleshooting section. If after inspecting the unit you feel there is a possible safety issue with the computer or AC adapter, please notify Apple.	

## Battery Leaking or Swollen

### Quick Check

Symptom	Quick Check
<b>Battery Leaking or Swollen</b> <ul style="list-style-type: none"> <li>Trackpad button does not work</li> <li>Battery pack case has opened.</li> <li>Bottom cover cannot be reinstalled</li> </ul>	<ol style="list-style-type: none"> <li>Check if the battery is covered under a repair extension program. Reference: MacBook, MacBook Pro (15-inch) or MacBook Pro (17-inch) with swollen battery article (<a href="#">Knowledge Base TS2358</a>).</li> <li>Use the "Portable Computer Battery Screening Process for Apple Service Providers" (<a href="#">Knowledge Base CP165</a>) and use "Battery pack is visibly deformed" case under section 2E. Use symptom code <b>P13</b>.</li> </ol>

## Uncategorized Symptom

### Quick Check

Symptom	Quick Check
<b>Uncategorized Symptom</b> Unable to locate appropriate symptom code	Verify whether existing symptom code applies to the issue reported by the customer. If not, document reported symptom and send feedback to <a href="mailto:smfeedback@apple.com">smfeedback@apple.com</a> stating that a suitable symptom code could not be found.



# Communications

## Ethernet Port/Device Issue

Unlikely cause: power adapter, battery, speakers, optical drive, hard drive, fan, camera, microphone, top case, display assembly, AirPort card

### Quick Check

Symptom	Quick Check
<b>Ethernet Port/Device Issue</b> <ul style="list-style-type: none"> <li>No Ethernet device present</li> <li>Unable to access network resources</li> <li>Ethernet device shows no connection</li> <li>Ethernet device unable to get an IP address</li> <li>Slow network performance</li> </ul>	<ol style="list-style-type: none"> <li>Check the network cable for damage, try a known good Ethernet cable – CAT5 or better recommended for 100Mbps+ connections.</li> <li>Check Ethernet ports on Mac and wall/switch for dust, debris, damage or bent pins.</li> <li>Ensure distance from networking infrastructure is less than 300 feet / 105 meters.</li> <li>Verify port, cable and network hardware with a known good system. Isolate firewall, MAC address filtering or hardware access control devices.</li> <li>Check system logs. Isolate OS by starting up from original install media (10.5.x) or compatible known good OS.</li> </ol>

### Deep Dive

Check	Result	Action	Code
1. Visually inspect Ethernet connector to ensure all pins will make physical contact with CAT5 network cable.	Yes	Ethernet interface contacts are good. Go to step 2.	
	No	Pins are damaged or bent flat, replace logic board.	<b>M10</b>
2. Isolate OS by booting from original install media. Verify Network Link status active by using Network Utility on install DVD. If the Ethernet interface (en0) Link Status is inactive, recheck physical connect and link activity indicator on hub/switch.	Yes	Ethernet interface (en0) Link Status is active, go to step 3.	
	No	If connection is OK on known-good system, replace logic board.	<b>M10</b>



3. Verify if IP address is listed for the Ethernet interface in System Preferences: Network. Connect computer to network with known-good DHCP IP allocation, ensuring static DHCP maps or filtering is not preventing address allocation. Note: DHCP allocation may not be instantaneous depending on network. Retest.	Yes	Go to step 4.	
	No	If connection is OK on known-good system, replace logic board.	<b>M10</b>
4. Verify connection by using Network Utility to ping another connected computer on the same subnet. Ensure the target computer's IP address is valid, on the same subnet and powered on. Ensure no MAC address filtering or hardware access control devices are present. Use a simple hub/switch environment.	Yes	Go to step 5	
	No	If the symptoms do not change, replace the logic board.	<b>M10</b>
5. Verify Ethernet performance and reliability by starting up from a known-good OS install, and downloading a large file from a web site or file server.	Yes	If there is no performance or connectivity issue isolated solely to the system under test, the problem may be the network environment. No repair is necessary.	
	No	If there are connection dropouts or poor performance not seen on a known-good test system, replace the logic board.	<b>M10</b>



## AirPort/Bluetooth: Defective Wireless Devices

Unlikely cause: power adapter, battery, speakers, optical drive, hard drive, fan, camera, microphone, top case



**Caution:** When testing an AirPort card connection, wait at least 5 seconds after shutdown before touching the camera cable connection to the logic board. Waiting less than that could damage the AirPort card.

### Quick Check

Symptom	Quick Check
<p><b>AirPort or Bluetooth: Defective Wireless Devices</b></p> <ul style="list-style-type: none"> <li>• Unable to join networks or pair devices</li> <li>• Card not available or recognized</li> <li>• Intermittent device or connection dropouts</li> </ul>	<ol style="list-style-type: none"> <li>1. Open System Preferences and make sure AirPort or Bluetooth is turned on and (for AirPort) that a network is selected.</li> <li>2. Check that base station is not using unsupported connection and encryption protocols.</li> <li>3. Check for nearby interference sources such as microwave ovens or cordless phones (<a href="#">Knowledge Base HT1365</a>)</li> <li>4. Check the number of users trying to use AirPort in the area for possible network congestion.</li> <li>5. Isolate OS by booting from original install media (10.5.x). Attempt to connect to base station (AirPort) or pair with wireless keyboard (Bluetooth).</li> <li>6. Reset PRAM.</li> </ol>

### Deep Dive

Check	Result	Action	Code
1. Open System Profiler, check to see if AirPort or Bluetooth is recognized. Ensure software and firmware updates for AirPort and Bluetooth have been applied.	Yes	(AirPort) Ensure MAC address filtering is not enabled on the base station.  (Bluetooth) Ensure target devices are set to discoverable.	
	No	If card is not detected or software updates do not resolve issue, go to step 2.	



2. Run Clamshell Service Diagnostic utility and check that all devices are found. If not, reseal the camera cable connection to the logic board.	Yes	Loose logic board connection.	<b>N04</b>
	No	AirPort issue, go to step 3, Bluetooth issue go to step 7.	
3. (AirPort) Verify the antenna connections to the AirPort card are not reversed or loose. Reseat antenna and I/O cable connections.	Yes	Loose connections or crossed antenna.  If Airport card connection was found reversed, the main logic board may have been damaged and needs replacement	<b>N04</b>  <b>M11</b>
	No	If the connectors are secure, antenna connections not reversed and show no signs of damage or wear, go to step 4.	
4. (AirPort) Try a known-good AirPort antenna. Verify that it fixes the issue.	Yes	Replace AirPort antenna.	<b>N14</b>
	No	Continue to use known-good antenna, go to step 5.	
5. (AirPort) Try a known-good AirPort card. Verify that it fixes the issue.	Yes	Replace AirPort card. .	<b>N12</b>
	No	Go to step 6.	
6. (AirPort) Try a known-good display assembly if available. Verify that it fixes the issue.	Yes	Replace display assembly.	<b>L16</b>
	No	Replace logic board.	<b>M11</b>
7. (Bluetooth) Enable Bluetooth and try a known-good Bluetooth card. Verify that System Profiler sees known-good Bluetooth card..	Yes	Replace user's Bluetooth card.	<b>N15</b>
	No	Go to step 8.	
8. (Bluetooth) Enable Bluetooth and try a known-good display assembly, if available, and Bluetooth card. Run Clamshell Service Diagnostic utility and check that it sees the known-good Bluetooth card.	Yes	Replace display assembly.	<b>L16</b>
	No	Replace logic board.	<b>M11</b>



## No/Poor Wireless Signal

Unlikely cause: power adapter, battery, speakers, optical drive, hard drive, fan, camera, microphone, top case

### Quick Check

Symptom	Quick Check
<b>No/Poor Wireless Signal</b> <ul style="list-style-type: none"> <li>Unable to find networks</li> <li>Intermittent connection dropouts</li> <li>Slow transfer speeds</li> </ul>	<ol style="list-style-type: none"> <li>Check for nearby interference sources in the 2.4/5GHz range such as microwave ovens and cordless phones (<a href="#">Knowledge Base HT1365</a>).</li> <li>Check that computer is within base station range – move closer to base station.</li> <li>Base station checks:               <ol style="list-style-type: none"> <li>Base station is not set to low-power transmission mode</li> <li>Base station is not using unsupported connection and encryption protocols</li> <li>Check for possible Wi-Fi channel overlap (nearby base stations using adjacent channel)</li> </ol> </li> <li>Isolate OS by booting from original install media (10.5.x). Attempt to connect to base station.</li> </ol>

### Deep Dive

Check	Result	Action	Code
1. Open System Profiler, check to see if AirPort card is recognized under Network: AirPort Card.	Yes	Use Software Update to make sure all AirPort software and firmware updates have been applied. Ensure base station is not using MAC address filtering or creating a hidden network.	
	No	If card is not detected, go to previous Symptom - AirPort/Bluetooth - Defective wireless devices.	
2. Run Clamshell Service Diagnostic utility and check that all devices are found. If not reseal the camera cable connection to the logic board.	Yes	Loose logic board connection	<b>N04</b>
	No	Go to step 3.	



3. Verify the antenna connections to the AirPort card are not reversed or loose. Reseat antenna and I/O cable connections.	Yes	Loose connections or crossed antenna	<b>N04</b>
	No	If the connectors are secure, antenna connections not reversed and show no signs of damage or wear, go to step 4.	
4. Try a known-good AirPort antenna , retest and verify that issue is fixed..	Yes	Replace user's AirPort antenna.	<b>N14</b>
	No	Continue to use known good antenna, go to step 5.	
5. Try a known-good AirPort card and retest. Verify that issue is fixed..	Yes	Replace user's AirPort card.	<b>N12</b>
	No	Continue to use known-good antenna & card; go to step 6.	
6. Try a known-good display assembly if available. Verify that issue is fixed..	Yes	Replace display assembly.	<b>L16</b>
	No	Replace logic board.	<b>M11</b>

## Bluetooth Wireless Input Device Loses Connection

Unlikely cause: display assembly, speaker assembly, optical drive, hard drive

### Quick Check

Symptom	Quick Check
<b>Bluetooth Wireless Input Device Loses Connection</b>	Check Bluetooth input device has fully charged batteries.

### Deep Dive

Check	Result	Action	Code
1. System Profiler should list Bluetooth radio device under system hardware. Is Bluetooth device available?	Yes	Bluetooth radio present, verify Bluetooth preference settings, go to step 2.	
	No	Attempt Bluetooth repair, go to step 5.	





2. System Preferences has a Bluetooth panel. Ensure Bluetooth is on and discoverable. Are there any devices listed in pairing window?	Yes	Choose known-good device and establish a connection. Go to step 3.	
	No	Attempt Bluetooth repair, go to step 5.	
3. Ensure a known-good Bluetooth device is on, in close range and in discoverable mode. Is computer pairing with known-good device?	Yes	Pairing verified, connect with user's device, go to step 4	
	No	Attempt Bluetooth repair, go to step 5.	
4. Is computer pairing with user's Bluetooth device?	Yes	Connection established, continue testing for connection loss, go to step 8.	
	No	Check for software updates for both computer & device.	<b>K07</b>
5. Run Clamshell Service Diagnostic utility and check that all devices are found. If not, reseal camera cable on logic board. Is the Bluetooth radio present, on and pairing with a known-good device?	Yes	Loose cable connection.	<b>N04</b>
	No	Go to step 6.	
6. Install and test a known-good Bluetooth card. Is the Bluetooth radio present, on and pairing with a known-good device?	Yes	Replace user's Bluetooth card.	<b>N15</b>
	No	Go to step 7.	
7. Continue to actively test a known-good Bluetooth device to determine if there is a disconnect. Do not allow computer to sleep during this test. Is link lost during test?	Yes	Check for software update, 2.4 GHz radio interference or device low battery. If still losing link, replace Bluetooth card. If installed Bluetooth card is known-good or was already replaced, replace top case (for Bluetooth antenna).	<b>N14</b> <b>N14</b>
	No	Known-good device passed, test with user's Bluetooth device.	



8. Continue to test user's Bluetooth device to determine if there is a disconnect. Do not allow computer to sleep during this test. Is link lost during test? If link is lost during start up, turn on System Preferences: Bluetooth: Advanced: "Open Bluetooth Setup Assistant at start up when no input device is present".	Yes	Check for software update, 2.4 GHz radio interference, device low battery or user's device features list for explanation.	
	No	User's device not losing connection. Issue not repeatable or resolved.	

## AirPort Card: Kernel Panic

Unlikely cause: power adapter, battery, speakers, optical drive, hard drive, fan, camera, microphone, top case

### Quick Check

Symptom	Quick Check
<b>AirPort Card: Kernel Panic</b> <ul style="list-style-type: none"> <li>Kernel panic on boot</li> <li>Kernel panic or freezing while attempting to connect to Wi-Fi networks</li> <li>Kernel panic while transferring data on Wi-Fi networks.</li> </ul>	<ol style="list-style-type: none"> <li>Isolate OS by booting from original install media (10.5.x). Attempt to connect to Wi-Fi network.</li> <li>Use Software Update to make sure all AirPort software and firmware updates have been applied.</li> </ol>

### Deep Dive

Check	Result	Action	Code
1. Use Software Update to make sure all AirPort/Bluetooth software and firmware updates have been applied. Ensure MAC address filtering is not enabled on the base station. Is kernel panic resolved?	Yes	Software issue.	
	No	Go to step 2.	
2. Reseat the camera cable connection to the logic board. Is kernel panic resolved?	Yes	Go to step 4.	
	No	Go to step 3.	



3. Isolate AirPort card by removing the I/O connection from the AirPort card. Reconnect camera cable connection to logic board. Is kernel panic resolved?	Yes	Go to step 4.	
	No	Go to M06 Kernel Panic / System Crashes.	
4. Connect and test with a known-good AirPort card. Is kernel panic resolved?	Yes	Replace AirPort card.	<b>N13</b>
	No	Replace display assembly.	<b>L16</b>

## Wireless Performance Issue / Slow Connection

Unlikely cause: power adapter, battery, speakers, optical drive, hard drive, fan, camera, microphone, top case

### Quick Check

Symptom	Quick Check
<b>Wireless Performance Issue / Slow Connection</b> <ul style="list-style-type: none"> <li>Slow or stalled data transfers</li> <li>Intermittent connection dropouts</li> </ul>	<ol style="list-style-type: none"> <li>Check for nearby interference sources in the 2.4/5GHz range such as microwave ovens or cordless phones (<a href="#">Knowledge Base HT1365</a>)</li> <li>(AirPort) Check the number of users trying to use AirPort in the area for possible network congestion. Move closer to base station to improve signal reception.</li> <li>(Bluetooth) Move devices closer together.</li> <li>Check performance with a known-good system</li> <li>(AirPort) Wireless base station checks: <ol style="list-style-type: none"> <li>Base station is not set to low-power transmission mode.</li> <li>Base station is not set to a slower protocol mode (802.11b).</li> <li>Check for possible Wi-Fi channel overlap (nearby base stations using adjacent channel).</li> </ol> </li> <li>Isolate OS by booting from original install media (10.5.x). Attempt to connect to base station (AirPort) or pair with wireless keyboard (Bluetooth)</li> <li>Use Software Update to make sure all AirPort and Bluetooth software and firmware updates have been applied.</li> </ol>



## Deep Dive

Check	Result	Action	Code
1. Inspect the display clutch barrel for damage. AirPort radio is in display clutch barrel area.	Yes	Record damage: Proceed to possibly repair damaged parts, go to step 2	
	No	No visible damage, go to step 2	
2. Turn off Bluetooth. Retest AirPort performance. Refer to <a href="#">Knowledge Base TS1809</a> .	Yes	Possible AirPort interference from the Bluetooth card. Change AirPort base station channel. ( <a href="#">Knowledge Base TS1809</a> .)	<b>N06</b>
	No	Continue by checking connections, go to step 3	
3. Run Clamshell Service Diagnostic utility and check that all devices are found. If not, reseal the camera cable connection to the logic board.	Yes	Loose logic board connection	<b>N04</b>
	No	AirPort issue, go to step 4, Bluetooth issue, go to step 8.	
4. (AirPort) Verify the antenna connections to the AirPort card are not reversed or loose. Reseat antenna and I/O cable connections.	Yes	Loose connection or crossed antenna	<b>N04</b>
	No	If the connectors are secure, antenna connections not reversed and show no signs of damage or wear, go to step 5	
5. (AirPort) Try a known-good AirPort antenna.	Yes	Replace AirPort antenna.	<b>N14</b>
	No	Continue to use known good antenna, go to step 6.	
6. (AirPort) Try a known-good AirPort card.	Yes	Replace AirPort card.	<b>N12</b>
	No	Continue to use known-good antenna & card, go to step 7.	
7. (AirPort) Try a known-good display assembly if available.	Yes	Replace display assembly.	<b>L16</b>
	No	Replace logic board.	<b>M11</b>



8. (Bluetooth) Enable Bluetooth and try a known-good Bluetooth card if available. Verify that Bluetooth is pairing with known-good device.	Yes	Replace Bluetooth card.	N15
	No	Go to <a href="#">Defective Wireless Devices</a> .	

## Wireless Input Device Doesn't Pair

Unlikely cause: display assembly, logic board, optical drive, hard drive

### Quick Check

Symptom	Quick Check
<b>Wireless Input Device Doesn't Pair</b> <ul style="list-style-type: none"> <li>Can't get the system to recognize the Bluetooth keyboard or mouse</li> </ul>	<ol style="list-style-type: none"> <li>Check Bluetooth System Preference is set to Discoverable.</li> <li>Check Bluetooth device has fully charged batteries.</li> <li>Check for Bluetooth software updates for both the device and Mac OS X.</li> <li>If the Bluetooth pairs with no problems, probe about potential interference issue at user's site.</li> </ol>

### Deep Dive

Check	Result	Action	Code
1. System Profiler should list Bluetooth radio device under system hardware. Is Bluetooth device available?	Yes	Bluetooth radio present, verify Bluetooth preference settings, go to step 2.	
	No	Attempt Bluetooth repair, go to step 5.	
2. System Preferences has a Bluetooth panel. Ensure Bluetooth is on and discoverable. Are there any devices listed in pairing window?	Yes	Choose known-good device and establish a connection. Go to step 3.	
	No	Attempt Bluetooth repair, go to step 5.	



3. Ensure a known-good Bluetooth device is on, in close range and discoverable mode, Is system pairing with known-good device?	Yes	Pairing verified, connect with user's device, go to step 4.	
	No	Attempt Bluetooth repair, go to step 5.	
4. Is Bluetooth pairing with user's Bluetooth device?	Yes	Issue resolved.	
	No	Check for SW update for both System and user device.	
5. Run Clamshell Service Diagnostic utility and check that all devices are found. If not, reseal camera cable with logic board. Is the Bluetooth radio present, on and pairing with a known-good device?	Yes	Bad logic board connection. Issue resolved.	
	No	Go to step 6.	
6. (Bluetooth) Enable Bluetooth and try a known-good Bluetooth card if available. Is pairing issue fixed?	Yes	Replace Bluetooth card.	<b>N15</b>
	No	Go to <a href="#">Defective Wireless Devices</a> .	

## Uncategorized Symptom

### Quick Check

Symptom	Quick Check
<b>Uncategorized Symptom</b> Unable to locate appropriate symptom code	Verify whether existing symptom code applies to the issue reported by the user. If not, document reported symptom and send feedback to <a href="mailto:smfeedback@apple.com">smfeedback@apple.com</a> stating that a suitable symptom code could not be found.



# Display

## Display Anomalies

### Quick Check

Symptom	Quick Check
<b>Display Anomalies</b> <ul style="list-style-type: none"> <li>• Incorrect/missing colors</li> <li>• Distorted/blurred image</li> <li>• Pixel anomalies</li> <li>• Vertical/horizontal lines</li> <li>• Non-uniform brightness</li> <li>• Image flicker</li> <li>• Image persistence</li> </ul>	<ol style="list-style-type: none"> <li>1. Allow display to reach normal operating temperature for about 15 minutes before evaluating front-of-screen performance.</li> <li>2. Check display preferences for use of custom display profile.</li> <li>3. Check brightness setting.</li> <li>4. Check for Software Updates.</li> <li>5. Clean glass panel while checking for dust/debris.</li> <li>6. Go to Deep Dive: General</li> </ol>

### Deep Dive: General

Check	Result	Action	Code
1. Verify if user's issue is incorrect/missing colors.	Yes	Go to <a href="#">Incorrect/Missing Colors Deep Dive</a> .	
	No	Go to step 2.	
2. Verify if user's issue is distorted/blurred image.	Yes	Go to <a href="#">Distorted/Blurred Image Deep Dive</a> .	
	No	Go to step 3.	
3. Verify if user's issue is bright or dark pixel anomalies.	Yes	Go to <a href="#">Pixel Anomalies Deep Dive</a> .	
	No	Go to step 4.	
4. Verify if user's issue is vertical or horizontal lines.	Yes	Go to <a href="#">Vertical/Horizontal Lines Deep Dive</a> .	
	No	Go to step 5.	
5. Verify if user's issue is non-uniform brightness.	Yes	Go to <a href="#">Non-uniform Brightness Deep Dive</a> .	
	No	LCD functioning OK.	



## Deep Dive: Incorrect/Missing Colors

Check	Result	Action	Code
1. Verify display is listed in the System Profiler's Graphics/Displays device tree.	Yes	This ensures color profile can be matched with LCD. Go to step 2.	
	No	Go to N09.	
2. Verify System Preferences Display Profile is valid for display being tested. Color profile should be set to Color LCD, user may have created an off-color calibration setting.	Yes	If display profile is valid and the colors are still incorrect or missing go to step 3.	
	No	Set System Preferences: Displays: Color to Color LCD and retest.	
3. Verify that the glass panel is free of contaminants.	Yes	Go to step 4.	
	No	Clean glass panel using approved method. Retest.	
4. Run Clamshell Service Diagnostic utility and check for LCD panel presence. If not found, reseal and verify LVDS cable is secure to the logic board. Are colors restored?	Yes	Loose cable connection. Issue resolved.	
	No	Go to step 5.	
5. Set desktop pattern in System Preferences to 'Solid Gray Light'. Verify if incorrect/missing color issue affects entire display.	Yes	Test a known-good display, go to step 7.	
	No	Go to step 6.	
6. Set up display under test side by side with another known good display showing the same image. Verify if issue is noticeably worse on the display being tested.	Yes	Test a known-good display, go to step 7	<b>L02</b>
	No	Small variations in color uniformity are normal and do not warrant replacement or repair of the display.	
7. Substitute a known-good display assembly to test logic board video output. Is normal video restored?	Yes	Replace display assembly.	<b>L02</b>
	No	Replace logic board.	<b>M04</b>



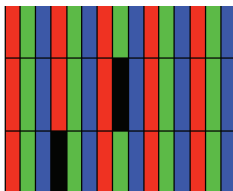
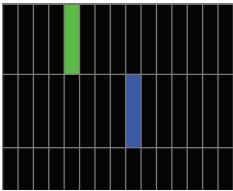


## Deep Dive: Distorted/Blurred Image



Check	Result	Action	Code
1. Sample image illustrates loss of LVDS data signals to LCD or a defective LCD panel, Inspect & reseal LVDS cable connection looking for damaged or bent pins. Is image restored with reseated cable connection?	Yes	Issue due to loose connection. Display issue resolved.	
	No	Go to step 2. If logic board connector damage, replace logic board.	<b>M24</b>
2. Substitute a known good display clamshell to test logic board video output. Is normal video restored?	Yes	Replace display assembly.	<b>L04</b>
	No	Replace logic board.	<b>M04</b>

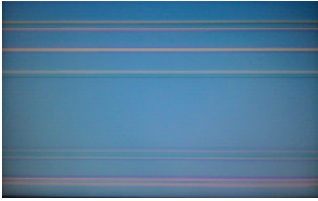
## Deep Dive: Pixel Anomalies



Check	Result	Action	Code
1. Determine if "defects" are dust/debris on surface of glass panel.	Yes	Clean glass panel.	
	No	Go to step 2.	
2. Determine if bright pixel defects exceed the acceptable number. See <a href="#">Display Issue: Pixel Anomalies</a> .	Yes	Replace display assembly.	<b>L08</b>
	No	LCD meets bright pixel defect specifications. Go to step 3.	
3. Determine if dark pixel defects exceed the acceptable number. See <a href="#">Display Issue: Pixel Anomalies</a> .	Yes	Replace display assembly.	<b>L08</b>
	No	LCD meets dark pixel defect specifications. Go to step 4.	
4. Determine if the combination of bright/dark pixel defects exceed the acceptable number. See <a href="#">Display Issue: Pixel Anomalies</a> .	Yes	Replace display assembly.	<b>L08</b>
	No	Explain to user that LCD is within specifications. Do not replace display assembly.	



## Deep Dive: Vertical/Horizontal Lines



Check	Result	Action	Code
1. Horizontal lines may be related to a failing RAM module. Verify if video issue only happens AFTER the Apple logo and the spinning wheel has appeared.	Yes	Issue only happens AFTER Apple logo and spinning wheel appears. Go to step 2.	
	No	Issues happens since startup. Go to step 5.	
2. Start with shift key down (safe mode) to disable system extensions. Verify if issue still happens when booting in safe mode.	Yes	Go to step 5.	
	No	No video issue when booting in safe mode. Go to step 3.	
3. Isolate with only one memory module installed , then with the other one. Test with known-good memory. Verify that issue only happens with specific RAM module(s).	Yes	Replace affected RAM module.	<b>X02</b>
	No	Go to step 4	
4. Isolate with one known-good memory module installed in one of the memory slots. Repeat by testing in the other memory slot with known-good memory module. Verify that issue only happens with specific memory slot on logic board.	Yes	Replace logic board.	<b>M07</b>
	No	Go to step 5	
5. Run Clamshell Service Diagnostic utility and check for LCD panel presence. If not found, reseal the LVDS cable to the logic board video output. Is normal video restored?	Yes	Issue resolved by reseating loose LVDS cable..	
	No	Go to step 6	
6. Connect external compatible DisplayPort display (or DisplayPort adapter and display). Verify if correct video appears on external display.	Yes	Go to step 7.	
	No	Replace logic board	<b>M04</b>



7. Substitute a known-good display assembly module to test logic board LVDS video output. Is normal video restored?	Yes	Replace display assembly module.	<b>L05</b>
	No	Replace logic board.	<b>M04</b>

### Deep Dive: Non-uniform Brightness

Check	Result	Action	Code
1. Determine if brightness uniformity issue is visible after display has warmed up for 15 minutes.	Yes	Go to step 2.	
	No	Display backlight can take several minutes to stabilize.	
2. Check LVDS cable connection to logic board.	Yes	Reseat LVDS cable	
	No	Got to step 3	
3. Determine if variation in uniformity appears excessive when compared to another similar unit.	Yes	Replace display assembly.	<b>L07</b>
	No	Explain to user that LCD appears to meet specifications.	





## Defective Camera / Built-in iSight Not Operating Correctly

### Quick Check

Symptom	Quick Check
<b>Defective Camera</b> <ul style="list-style-type: none"> <li>• Camera not detected</li> <li>• No green LED for camera</li> <li>• Excessive blooming</li> <li>• Poor white balance</li> <li>• Poor focus</li> <li>• Green image</li> <li>• Image distortion</li> </ul>	<ol style="list-style-type: none"> <li>1. Check for Software Updates.</li> <li>2. Verify camera lens and glass panel are clear of contaminants.</li> </ol>

### Deep Dive

Check	Result	Action	Code
1. Launch System Profiler and confirm that "Built-in iSight" is listed under USB High-Speed Bus.	Yes	Camera recognized. Go to step 3	
	No	Go to step 2.	
2. Run Clamshell Service Diagnostic utility and check for all devices presence. If not found, inspect and reseal camera cable on logic board. Is iSight listed in System Profiler?	Yes	Camera recognized. Go to step 3.	
	No	Go to step 4.	
3. Launch PhotoBooth. Verify that camera's green LED is on and image appears normal.	Yes	Issue resolved..	
	No	Go to step 4.	
4. Substitute a known-good display assembly to test logic board camera connection. Is iSight camera operating properly?	Yes	Replace display assembly.	<b>X11</b>
	No	Replace logic board.	<b>M13</b>



## Blank / No Video

Unlikely cause: Power adapter, speakers, ODD/HDD, fan, microphone, top case

### Quick Check

Symptom	Quick Check
<b>Blank / No Video</b> <ul style="list-style-type: none"> <li>No video</li> <li>No backlight</li> </ul>	<ol style="list-style-type: none"> <li>Check brightness setting</li> <li>Attach known-good supported external display.</li> <li>Boot from Mac OS X install DVD that came with computer.</li> </ol>

### Deep Dive

Check	Result	Action	Code
1. Verify boot chime present when system restarted. Reset SMC and clear PRAM if necessary for proper start up. Is LCD video present?	Yes	Go to step 3.	
	No	Go to step 2.	
2. Connect known-good supported external display. Verify whether image appears on external display when system is booted.	Yes	External display detected by system. Go to step 3.	
	No	Go to No Video symptom code flow.	
3. Verify if LCD backlight is on by looking for faint glow from display when viewed in darkened room with brightness adjusted to full.	Yes	Video signal from system to external video is OK, LCD backlight is on. Go to step 5.	
	No	Go to step 4.	
4. Shine bright (low heat) flashlight into the front of LCD. Verify if an image is being displayed.	Yes	Image present but backlight is not on. Check logic board connections. Go to step 5.	
	No	Go to No Video symptom code flow.	
5. Run Clamshell Service Diagnostic utility and check for LCD panel presence. If not found, reseal and verify that the display connections to the logic board are secure. Verify if image is restored by reseating loose connections	Yes	Issue resolved.	
	No	Continue to test with known-good display assembly. Go to step 6.	



6. Verify LCD video works with a known-good display assembly.	Yes	Replace display assembly.	<b>L03</b>
	No	Go to No Video symptom code flow.	

## Backlight Issue / No Backlight

Unlikely cause: Power adapter, battery, speaker, ODD/HDD, fan microphone, top case

### Quick Check

Symptom	Quick Check
<b>Backlight Issue / No Backlight</b> <ul style="list-style-type: none"> <li>• Display not illuminated</li> <li>• Flashing, unstable or non uniform background lighting</li> <li>• Poor backlight at some or all settings</li> </ul>	Check that brightness setting is above minimum.

### Deep Dive

Check	Result	Action	Code
1. Connect external display, clear PRAM to set brightness to default level and verify if Color LCD is listed in the System Profiler's Graphics/Displays device tree.	Yes	Display panel detected by system. Go to step 3.	
	No	Go to step 2.	
2. Unplug and reseat the LVDS cable at the logic board. Repeat verification in System Profiler.	Yes	Display panel detected by system. Go to step 3.	
	No	Go to step 4.	
3. Darken room and verify backlight by detecting if any glow is emitted from the display	Yes	Backlight operating. Go to step 5.	
	No	Go to step 4.	
4. Swap memory with known-good memory to determine if video issue is ram related..	Yes	Reseat or replace defective memory	<b>X01</b>
	No	Go to step 5	



5. Inspect LVDS connectors and cable under magnification for pinched cables and damaged or bent pins. Do any of the connections appear to be defective?	Yes	Defective LVDS cable. Replace display assembly.  Defective LVDS connector on logic board. Replace logic board.	<b>M25</b>
	No	If connections are OK and secure and the display is still blank, go to step 6.	
6. Substitute a known-good display clamshell to test logic board video output. Is backlight and display text back to normal?	Yes	Replace display assembly.	<b>L09</b>
	No	Poor or no backlight LED Driver power at logic board. Replace logic board.	<b>M25</b>

## Noise / Unstable Flickering

Unlikely cause: Top case, battery

### Quick Check

Symptom	Quick Check
<b>Noise / Unstable Flickering</b> <ul style="list-style-type: none"> <li>Image flicker</li> <li>Audible noise</li> </ul>	<b>1.</b> Verify known-good source sound file not causing speaker distortion.

### Deep Dive

Check	Result	Action	Code
1. Verify if user's issue is due to video flickering coming from display.	Yes	Suspected flickering issue, go to step 2.	
	No	Audible noise issue, go to step 5.	
2. Verify display listed in the System Profiler's Graphics/Displays device tree is not disappearing intermittently (refresh System Profiler to observe).	Yes	Power and LCD panel ID are OK. Go to step 3.	
	No	Go to No Video symptom code flow.	



3. Inspect and reseal the LVDS cable and camera cable connection between display and logic board. Also test if brightness setting is a contributing factor. Has flickering stopped?	Yes	Loose cable connection. Issue resolved.	
	No	Go to step 4.	
4. Substitute a known good display assembly to test logic board video output. Has flickering stopped?	Yes	Replace display assembly.	<b>L06</b>
	No	Replace logic board.	<b>M04</b>
5. Verify the source of the noise is the electrical as opposed to mechanical. Audio noise should not be a concern now that LCD components are all solid state devices including LED backlights.	Yes	Noises that are not audible from the normal user position are considered acceptable. Return unit to the user.	
	No	Noise from another source. Go to P04 Noise/Hum/vibration.	

## Mechanical/Physical Damage

### Quick Check

Symptom	Quick Check
<b>Mechanical/Physical Damage</b> <ul style="list-style-type: none"> <li>• Broken glass</li> <li>• Broken hinge</li> <li>• Stripped screw/head</li> <li>• Stripped screw boss</li> <li>• Dent or scratch to chassis</li> </ul>	<ol style="list-style-type: none"> <li>1. Determine damage caused by user/technician environment, accidental damage, or abuse.</li> <li>2. Inform user/technician the failures are not covered by Apple warranties. Refer to <a href="http://www.apple.com/legal/warranty">http://www.apple.com/legal/warranty</a></li> </ol>





## Cosmetic Defects

### Quick Check

Symptom	Quick Check
<b>Cosmetic Defects</b> <ul style="list-style-type: none"><li>• Cracked LCD</li><li>• Scorched or melted LCD</li><li>• LCD impact damage</li></ul>	<ol style="list-style-type: none"><li>1. Determine damage caused by user/technician environment, accidental damage, or abuse.</li><li>2. Inform user/technician the failures are not covered by Apple warranties. Refer to <a href="http://www.apple.com/legal/warranty">http://www.apple.com/legal/warranty</a></li></ol>

## Uncategorized Symptom

### Quick Check

Symptom	Quick Check
<b>Uncategorized Symptom</b> Unable to locate appropriate symptom code	Verify whether existing symptom code applies to the issue reported by the user. If not, document reported symptom and send feedback to <a href="mailto:smfeedback@apple.com">smfeedback@apple.com</a> stating that a suitable symptom code could not be found.



# Mass Storage

## Hard Drive Read/Write Issue

Unlikely cause: LCD, speakers, fan, camera, microphone

### Quick Check

Symptom	Quick Check
<b>Hard Drive Read/Write Issue</b> <b>Bad Sector/Defective Drive Formatting Issue</b> <ul style="list-style-type: none"> <li>• Cannot save documents</li> <li>• Read/Write error message</li> <li>• Hang when accessing or saving data</li> </ul>	<ol style="list-style-type: none"> <li>1. Boot from Install DVD. Verify S.M.A.R.T. status of drive using Disk Utility.</li> <li>2. Repair disk using Disk Utility.</li> <li>3. Erase disk and reinstall Mac OS using Installer.</li> </ol>

### Deep Dive

Check	Result	Action	Code
1. Start up from Restore DVD and launch Disk Utility. Is hard drive available for Disk Utility to repair?	Yes	Go to step 2.	
	No	Go to step 3.	
2. Did Disk Utility mount and repair hard drive successfully? Reseat hard drive if necessary.	Yes	Restart computer. Go to step 6.	
	No	If computer has not been verified with a known-good hard drive, go to step 3; otherwise, go to step 7.	
3. Substitute a known-good bootable hard drive, does system start up to desktop?	Yes	Reinstall user's drive, go to step 2.	
	No	Continue to use known-good bootable hard drive to determine root cause. Go to step 4.	



4. After reseating hard drive SATA and logic board connections, does known-good hard drive boot to desktop?	Yes	Reinstall user's drive, go to step 2	
	No	Suspect hard drive SATA cable, go to step 5.	
5. Replace hard drive SATA cable and retest with known-good hard drive.	Yes	Reinstall user's drive, go to step 2.	<b>X03</b>
	No	Replace logic board.	<b>M19</b>
6. Did user's hard drive start up successfully?	Yes	Issue resolved.	
	No	Repair or replace hard drive, go to step 7.	
7. Partition, erase & install Mac OS on user's hard drive. Did install complete without error and start up successfully?	Yes	Issue resolved	
	No	Hard drive appears to be defective, go to step 8.	
8. Replace user's hard drive. Does drive format correctly with a GUID partition map and install Mac OS without errors?	Yes	Issue resolved.	<b>H01</b>
	No	SATA cable verified or replaced and new hard drive installed, replace logic board.	<b>M19</b>

## Hard Drive Not Recognized/Not Mounting

Unlikely cause: LCD, speakers, fan, camera, microphone, AirPort

### Quick Check

Symptom	Quick Check
<b>Hard Drive Not Recognized/ Mount Drive No Boot</b> <ul style="list-style-type: none"> <li>Flashing question mark</li> <li>Boots to grey screen</li> <li>Boots to blue screen</li> </ul>	<ol style="list-style-type: none"> <li>Use a known-good mouse. Stuck mouse button will not allow boot.</li> <li>Boot from Install DVD. Verify S.M.A.R.T. status of drive using Disk Utility.</li> <li>Repair disk using Disk Utility.</li> <li>Erase disk and reinstall Mac OS using Installer.</li> </ol>



## Deep Dive

Check	Result	Action	Code
1. Boot from Restore DVD and launch Disk Utility. Is hard drive available for Disk Utility to repair?	Yes	Go to step 2.	
	No	Go to step 3.	
2. Did Disk Utility mount and repair hard drive successfully? Reseat hard drive if necessary.	Yes	Restart computer, go to step 6.	
	No	If computer has not been verified with a known-good hard drive, go to step 3; otherwise, go to step 7.	
3. Substitute a known-good bootable hard drive, does computer start up to desktop?	Yes	Install user drive, go to step 2.	
	No	Continue to use known-good bootable hard drive to determine root cause. Go to step 4.	
4. After reseating SATA and logic board connections, does known-good hard drive start up to desktop?	Yes	Install user drive, go to step 2.	
	No	Suspect hard drive SATA cable, go to step 5.	
5. Replace hard drive SATA cable and retest with known-good hard drive.	Yes	Install user drive, go to step 2.	<b>X03</b>
	No	Replace logic board.	<b>M19</b>
6. Did user's hard drive start up successfully?	Yes	Issue resolved.	
	No	Restore or replace user's hard drive, go to step 7.	
7. Partition, erase & install Mac OS on user's hard drive. Did install complete without error and start up successfully?	Yes	Issue resolved.	
	No	Hard drive appears to be defective. Go to step 8.	
8. Replace user's hard drive. Does drive format correctly with a GUID partition map and install Mac OS without errors?	Yes	Issue resolved.	<b>H01</b>
	No	SATA cable verified or replaced and new hard drive installed, replace logic board.	<b>M19</b>



## Hard Drive Noisy

Unlikely cause: LCD, speakers, fan, camera, microphone

### Quick Check

Symptom	Quick Check
<b>Hard Drive Noisy</b> <ul style="list-style-type: none"> <li>Noise during start up</li> <li>Noise during operation</li> <li>Noise when drive is copying or saving data</li> </ul>	<ol style="list-style-type: none"> <li>Start up from Install DVD. Verify S.M.A.R.T. status of hard drive using Disk Utility.</li> <li>Repair disk using Disk Utility.</li> <li>Check for reported noise and compare with Knowledge Base article "Apple Portables: Hard Drives and Noise" <a href="http://support.apple.com/kb/TS2354">http://support.apple.com/kb/TS2354</a></li> </ol>

### Deep Dive

Check	Result	Action	Code
1. Boot from Restore DVD and launch Disk Utility. Is hard drive available for Disk Utility to repair?	Yes	Go to step 2.	
	No	Replace hard drive or go to H01 Drive not recognized/mount.	
2. Repair disk using Disk Utility and verify it completed successfully	Yes	Restart computer. Go to step 3.	
	No	Go to step 4.	
3. Is hard drive still noisy?	Yes	Remove hard drive and start up from external drive to test fan noise. Go to step 6.	
	No	Issue resolved.	
4. Erase disk and reinstall Mac OS using Installer. Did process complete?	Yes	Restart computer. Go to step 3.	
	No	Replace hard drive. Go to step 5.	<b>H06</b>



5. After installing new hard drive, do you still have drive noise?	Yes	Remove hard drive and start up from external drive to test fan noise. Go to step 6.	
	No	Issue resolved.	
6. After removing hard drive, verify if the system is still noisy.	Yes	Fan noise or optical drive noise likely to be the cause. See ODD Noisy table and Fan failures/Thermal issues table.	
	No	Go to step 7.	
7. Install a known-good hard drive and verify if the noise level is similar to user's hard drive.	Yes	Hard drive noise level is similar to a known-good drive and does not require replacement.	
	No	Replace hard drive. Go to step 5.	<b>H06</b>

## Optical Drive Won't Accept/Reject Media

Unlikely cause: LCD, speakers, fan, camera, microphone

### Quick Check

Symptom	Quick Check
<b>Optical Drive Won't Accept/Reject Media</b> <ul style="list-style-type: none"> <li>Cannot insert a disc into the drive</li> <li>Cannot eject a disc placed into the drive</li> </ul>	<ol style="list-style-type: none"> <li>Use Apple System Profiler ATA section to see if the optical drive appears. If not, see Optical Drive Not Recognized,</li> <li>Restart computer and hold down mouse button or keyboard eject key to cycle optical drive.</li> <li>Inspect optical drive slot for obstructions</li> </ol>



## Deep Dive

Check	Result	Action	Code
1. Is optical drive listed in the device tree for serial-ATA devices in System Profiler?	Yes	Optical drive has power, inspect disc acceptance. Go to step 5.	
	No	Inspect hardware. Go to step 2	
2. Verify all connections between logic board, flex cable, and optical drive are secure. Visually inspect cables and connectors for any debris, damage, or bent pins. Is optical drive now listed in System Profiler?	Yes	Optical drive has power, inspect disc acceptance. Go to step 5.	
	No	Replace any damaged cables and retest. If connections are good and with no visible cable damage, go to step 3.	<b>X03</b>
3. Disconnect user's optical drive by lifting SATA cable at logic board and connecting a known good optical drive assembly. Is optical drive now listed in System Profiler?	Yes	SATA port functional, reconnect user's optical drive & SATA cable. Go to step 4.	
	No	Replace logic board.	<b>M19</b>
4. Install and test user's optical drive with replacement SATA flex cable. Is optical drive now listed in System Profiler?	Yes	Cable change resolved issue.	<b>X03</b>
	No	Replace the optical drive. (Mechanical damage to optical drive, if found)	<b>J03</b> <b>(J06)</b>
5. Inspect optical drive slot for disc insert/eject. Is there clearance for disc use?	Yes	Go to step 6.	
	No	Replace damaged optical drive or system top case that interferes with disc use.	<b>J01</b> <b>(J05)</b> <b>X13</b>
6. Insert known-good disc and test user's optical drive for acceptance of disc. Does disc auto eject?	Yes	Replace the optical drive. (Mechanical damage to optical drive, if found)	<b>J03</b> <b>(J06)</b>
	No	Go to step 7.	
7. Does disc mount to desktop?	Yes	Go to Eject Test step 8.	
	No	Go to Optical Drive Read/Write Data Error troubleshooting page.	



8. Does disc eject properly from optical drive?	Yes	Issue resolved.	
	No	Replace optical drive or top case that interferes with disc ejection.	<b>J02 X13</b>
9. With replacement flex cable and interconnect board, is disc now recognized?	Yes	Issue resolved.	
	No	Replace optical drive. If drive has already been replaced, then replace logic board.	<b>J03</b>

## Optical Drive Read/Write Data Error

Unlikely cause: LCD, speakers, fan, camera, microphone

### Quick Check

Symptom	Quick Check
<b>Optical Drive Read/Write Data Error</b> <ul style="list-style-type: none"> <li>Errors when writing optical media.</li> <li>Errors when reading optical media.</li> <li>Hang when accessing or preparing to write data.</li> </ul>	<ol style="list-style-type: none"> <li>Test optical media in another drive of the same type in same type of machine to rule out media issue.</li> <li>Check with known-good discs like the Install discs that came with the computer.</li> <li>For write issues, check with known-good media that performs well in another computer and optical drive of the same type.</li> <li>Check both CD and DVD media. If only one type of media is producing errors, there is a laser issue. (J99)</li> </ol>

### Deep Dive

Check	Result	Action	Code
1. Is media free to spin without optical drive scraping edge or surface of media?	Yes	Go to step 2.	
	No	Replace optical drive.	<b>J03</b>





2. Can optical drive read both CD and DVD known-good media?	Yes	Go to step 6	
	No	Reading CD only or DVD only indicates laser issue, replace optical drive.	<b>J03</b>
		Optical drive cannot read any media reliably, go to step 3.	
3. Reseat cable connections at logic board and optical drive. Verify that media is now recognized and reads reliably.	Yes	Reseat resolved issue.	<b>X03</b>
	No	Go to step 4.	
4. Disconnect optical drive by lifting SATA cable at logic board and connecting a known-good optical drive. Verify that media is now recognized and reads reliably.	Yes	SATA port functional, reconnect user's optical drive & SATA cable. Go to step 5.	
	No	Replace logic board.	<b>M19</b>
5. Install and test with replacement optical drive SATA flex cable. Verify that media is now recognized and reads reliably.	Yes	Cable change resolved issue.	<b>X03</b>
	No	Replace the optical drive. (Mechanical damage to optical drive, if found)	<b>J03 (J05)</b>
6. Test write data to compatible CD and DVD media. Verify burned media is recognized and reads reliably.	Yes	Issue resolved.	
	No	Replace the optical drive. (Mechanical damage to optical drive, if found)	<b>J03 (J06)</b>



## Optical Drive Not Recognized/Mount

Unlikely cause: LCD, speakers, fan, camera, microphone

### Quick Check

Symptom	Quick Check
<b>Optical Drive Not Recognized/Mount</b> <ul style="list-style-type: none"> <li>Discs inject and eject, but do not appear in Finder</li> </ul>	<ol style="list-style-type: none"> <li>Use Apple System Profiler ATA section to see if the optical drive appears.</li> <li>Serial-ATA section of Apple System Profiler will show any media inserted.</li> <li>Check Finder Preferences: General and make sure "CD's, DVD's and iPods" is checked under "Show these items on the Desktop."</li> <li>Check both CD and DVD media. If only one type of media is recognized, there might be a laser related issue. (J99)</li> </ol>

### Deep Dive

Check	Result	Action	Code
1. Is optical drive listed in the device tree for SATA devices in System Profiler?	Yes	Issue resolved.	
	No	Go to step 2.	
2. Verify all connections between logic board, flex cable, optical drive are secure. Visually inspect cables and connectors for any debris, damage, or bent pins. Is optical drive now listed in System Profiler?	Yes	Issue resolved.	
	No	Replace any damaged cables and retest. If connections are good and with no visible cable damage, go to step 3.	<b>X03</b>
3. Disconnect optical drive by lifting SATA cable at logic board and connecting a known-good drive. Is optical drive now listed in System Profiler?	Yes	SATA port functional, reconnect user's optical drive & SATA cable. Go to step 4.	
	No	Replace logic board.	<b>M19</b>
4. Install and test with replacement optical drive SATA flex cable. Is optical drive now listed in System Profiler?	Yes	Cable change resolved issue	<b>X03</b>
	No	Replace the optical drive. (Mechanical damage to optical drive, if found)	<b>J03 (J05)</b>



## Optical Drive Noisy

Unlikely cause: LCD, speakers, fan, camera, microphone

### Quick Check

Symptom	Quick Check
<b>Optical Drive Noisy</b> <ul style="list-style-type: none"> <li>Noise during boot</li> <li>Noise during operation</li> <li>Noise when drive is copying or writing data</li> </ul>	<ol style="list-style-type: none"> <li>Test optical media in another drive of the same type in same type of computer to rule out media issue.</li> <li>Check with known-good discs. Install discs that came with the computer.</li> <li>Check to see if noise occurs without media in the drive. If so, check for hard drive (H06) and fan (M18) caused noise.</li> </ol>

### Deep Dive

Check	Result	Action	Code
<b>1.</b> Is optical drive constantly seeking or cycling eject mechanism without an optical disc installed? Optical drive should perform only one reset sequence and rest idle, ready for media.	Yes	Continue and verify with media, go to step 2.	
	No	Replace optical drive if continuous activity occurs with no disc installed.	<b>J04</b>
<b>2.</b> Insert known good data CD. Is media free to spin without optical drive scraping edge or surface of media? Verify disc does not exceed maximum thickness specification.	Yes	Continue and verify with media, go to step 3.	
	No	Internal mechanical interference is affecting rotational spin of media, replace optical drive.	<b>J04</b>
<b>3.</b> Initial disc handling noise is normal. Disc spinning and head seek indicate disc is mounting to desktop. Seek noise should settle down once mounted. Is noise above normal and related to seek activity?	Yes	Replace optical drive.	<b>J04</b>
	No	Go to step 4.	



4. Disc spin should cease 30 seconds after mounting data CD on OS desktop. Is the noise related to disc spin?	Yes	Go to step 5.	
	No	Go to step 6.	
5. Remove the optical drive and check for the correct seating of the brackets on the optical drive and in the top case. Reinstall drive in unit and retest. Verify if drive is still noisy.	Yes	Go to step 6.	
	No	Issue resolved. Optical drive was not properly mounted in enclosure. (Possible physical damage to optical drive.)	<b>(J05)</b>
6. Eject known good data CD. Disc handling noise should be one pop of disc from motor hub and a motor gear sound driving disc out of optical drive. Is noise above normal and related to disc eject activity or multiple eject attempts?	Yes	Replace optical drive.	<b>J02</b>
	No	Go to step 7.	
7. Disc spin should cease 30 seconds after mounting data CD on desktop. Media may be mounting on a defective internal spindle hub. Is the noise related to disc spin?	Yes	Replace optical drive.	<b>J04</b>
	No	Noise does not appear to be related to optical drive.	



## Optical Drive Not Performing to Specs

Unlikely cause: LCD, speakers, fan, camera, microphone

### Quick Check

Symptom	Quick Check
<p><b>Optical Drive Not Performing to Specs</b></p> <p>Read or write speeds slower than expected.</p>	<ol style="list-style-type: none"> <li>1. Test optical media in another drive of the same type in same type of computer to rule out media issue.</li> <li>2. Check with known-good discs—Install discs that came with the computer.</li> <li>3. For disc write issues, check with known-good media that performs well in another computer and drive of the same type.</li> <li>4. Check both CD and DVD media. If only one type of media is producing errors, there might be a laser related issue. (J99)</li> </ol>

### Deep Dive

Check	Result	Action	Code
1. Can optical drive read both CD and DVD known-good media?	Yes	Go to step 5	
	No	Reading CD only or DVD only indicates laser issue, replace optical drive.	<b>J03</b>
		Optical drive cannot read any media reliably. Go to step 2.	
2. Reseat cable connections at logic board and optical drive. Verify that media is now recognized and reads reliably.	Yes	Reseat resolved issue.	<b>X03</b>
	No	Go to step 3.	
3. Disconnect optical drive by lifting SATA cable at logic board and connecting a known-good drive. Verify that media is now recognized and reads reliably.	Yes	SATA port functional, reconnect user's optical drive & SATA cable. Go to step 4.	
	No	Replace logic board.	<b>M19</b>



4. Install and test with replacement optical drive SATA flex cable. Verify that media is now recognized and reads reliably.	Yes	Cable change resolved issue.	<b>X03</b>
	No	Replace optical drive. (Mechanical damage to optical drive, if found)	<b>J03 (J05)</b>
5. Test write data to compatible CD and DVD media. Verify burned media is recognized and reads reliably.	Yes	Issue resolved.	
	No	Replace optical drive. (Mechanical damage to optical drive, if found)	<b>J03 (J06)</b>

## Uncategorized Symptom

### Quick Check

Symptom	Quick Check
<b>Uncategorized Symptom</b> Unable to locate appropriate symptom code	Verify whether existing symptom code applies to the issue reported by the user. If not, document reported symptom and send feedback to <a href="mailto:smfeedback@apple.com">smfeedback@apple.com</a> stating that a suitable symptom code could not be found.



# Input/Output Devices

## USB Port Does Not Recognize Known Devices

Unlikely cause: LCD, hard drive, optical drive

### Quick Check

Symptom	Quick Check
<b>USB Port Does Not Recognize Known Devices</b> USB-wired keyboard/mouse or USB flash drive not recognized	<ol style="list-style-type: none"> <li>1. Check the for latest software update.</li> <li>2. Use Apple System Profiler to verify the computer recognizes the USB bus.</li> <li>3. Test port with known good Apple keyboard or mouse.</li> <li>4. Verify any USB hubs have sufficient power.</li> </ol>

### Deep Dive

Check	Result	Action	Code
1. Reset SMC and clear PRAM. Was USB device recognized?	Yes	Issue resolved.	
	No	Go to step 2.	
2. Is USB device receiving power from USB port? Note: first device to need >500ma will get 1000ma, all others are limited to <500ma.	Yes	Go to step 3.	
	No	Replace logic board.	<b>M15</b>
3. Is the latest Mac-compatible USB software driver for this USB device installed?	Yes	Replace logic board.	<b>M15</b>
	No	Obtain Mac-compatible USB driver.	



## Built-in Keyboard Does Not Work Properly

Unlikely cause: LCD, hard drive, optical drive

### Quick Check

Symptom	Quick Check
<b>Built-in Keyboard Does Not Work Properly</b> <ul style="list-style-type: none"> <li>Keystrokes not recognized</li> <li>Locks up</li> <li>Displayed characters don't match</li> </ul>	<ol style="list-style-type: none"> <li>In System Preferences: International: Input Menu, enable Keyboard Viewer. Select Show Keyboard Viewer from the Input Menu in the menu bar. Test the keyboard.</li> <li>Confirm correct keyboard layout is selected.</li> <li>Update to the latest system software.</li> <li>Press Caps Lock, if the Caps Lock light goes on to show at least a partial connection to the main logic board.</li> </ol>

### Deep Dive

Check	Result	Action	Code
1. If specific keys are not working, confirm if they are physically broken.	Yes	Refer to <a href="#">MacBook/ MacBook Pro: Black Keycap Replacement (HT4002)</a> or <a href="#">MacBook: White Keycap Replacement (HT4003)</a> . If a keycap kit is available for this model, order kit and replace affected key(s).  Go to step 4.	
		If a keycap kit is not available for this model, replace complete top case.  Go to step 4.	<b>K01</b>
	No	Go to step 2.	
2. Reseat keyboard flex cable to logic board and verify that all keys are functional.	Yes	Issue resolved.	<b>X99</b>
	No	Go to step 3.	
3. Disconnect and verify that keyboard flex cable is in good condition (no delamination or torn cable end, no missing or cracked tracks).	Yes	Go to step 4.	
	No	Replace top case. Go to step 5.	<b>K01</b>





4. Reseat cable and check that flex cable end is fully inserted and aligned with connector on logic board, and that connector lock is closed. Verify that keyboard now functions properly. Reseat cable and verify with ASD that all keys are functional.	Yes	Issue resolved.	<b>K01</b>
	No	Replace top case. Go to step 5.	
5. Verify that all keys are functional using ASD.	Yes	Issue resolved.	<b>K01</b>
	No	Replace logic board.	<b>M15</b>

## Specific Keys Don't Work

Unlikely cause: power adapter, battery, speakers, LCD, ODD/HDD, fan, microphone

### Quick Check

Symptom	Quick Check
<b>Specific Keys Don't Work</b> <ul style="list-style-type: none"> <li>• Keycap broken</li> <li>• Key switch broken</li> <li>• Sticky key</li> <li>• Key pressed not recognized</li> </ul>	<ol style="list-style-type: none"> <li>1. Determine if damage caused by user/technician environment, accidental damage, or abuse.</li> <li>2. Inform user/technician the failures are not covered by Apple warranties. Refer to <a href="http://www.apple.com/legal/warranty">http://www.apple.com/legal/warranty</a></li> <li>3. Inspect keycap to remove debris trapped under it.</li> <li>4. If the keycap is loose, check if clasp is still intact and reattach it.</li> <li>5. Refer to "<a href="#">MacBook/MacBook Pro: Black Keycap Replacement</a>" (HT4002) or "<a href="#">MacBook: White Keycap Replacement</a>" (HT4003). If a keycap kit is available for this model, order kit and replace affected key(s). If a kit is not available, replace complete top case (code <b>K01</b>).</li> </ol>



## Built-in Trackpad Does Not Work

### Quick Check

Symptom	Quick Check
<b>Built-in Trackpad Does Not Work</b> <ul style="list-style-type: none"> <li>Cursor does not move.</li> <li>Select button of trackpad inoperable</li> <li>Multiple touch features inoperable</li> </ul>	<ol style="list-style-type: none"> <li>Check for environmental factors such as humidity, hand lotion or jewelry. Check if user is touching the trackpad simultaneously with both hands.</li> <li>Clean the trackpad surface (with the computer powered off) using a clean, dry, lint-free cloth.</li> <li>Make sure all software and firmware updates have been applied.</li> </ol>

### Deep Dive

Check	Result	Action	Code
1. Can you see the Apple Internal Keyboard/Trackpad continuously listed on USB in Apple System Profiler?	Yes	Go to step 5.	
	No	Go to step 2.	
2. Does trackpad look damaged? Verify trackpad alignment is proper and click-depth set screw is at factory setting.	Yes	Replace trackpad. Go to step 6.	
	No	Go to step 3.	
3. Reseat the trackpad flex cable to the logic board. Does trackpad work now?	Yes	Loose cable. Issue resolved.	
	No	Go to step 4.	
4. Is the trackpad connector on the logic board damaged?	Yes	Replace logic board.	<b>M24</b>
	No	Go to step 5.	
5. In System Preferences: Universal Access, turn off special Keyboard and Mouse & Trackpad settings. Set for normal use, enable and test multiple touch features. Does trackpad work now?	Yes	Settings issue resolved.	
	No	Go to step 6	



6. Does the select button click? Verify trackpad alignment is proper and click-depth set screw is at factory setting.	Yes	All trackpad issues resolved.	
	No	Go to step 7	
7. Does a known-good trackpad work?	Yes	Replace trackpad according to symptom found. -No Mouse/trackpad response	<b>K02</b>
		-Trackpad cursor not tracking properly	<b>K12</b>
		-Trackpad button issues	<b>K13</b>
	No	Replace logic board.	<b>M16</b>

## Built-in Keyboard Has Dim or No Keyboard Backlight

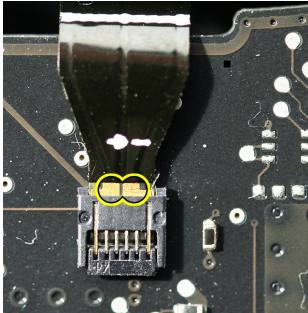
Unlikely cause: LCD, hard drive, optical drive

### Quick Check

Symptom	Quick Check
<b>Built-in Keyboard Has Dim or No Backlight</b> <ul style="list-style-type: none"> <li>In darkened room, keyboard backlight does not come on or is dim.</li> </ul>	<ol style="list-style-type: none"> <li>Make sure this computer model has a keyboard backlight option by checking the configuration label in the battery bay.</li> <li>Make sure that keyboard backlight is turned on and brightness turned up.</li> <li>Block the ambient light sensor to simulate darkened room.</li> </ol>

### Deep Dive

Check	Result	Action	Code
1. Cover the ambient light sensor, located near camera. Did the display dim?	Yes	Ambient light sensor is working. Go to step 4.	
	No	Go to step 2.	
2. Cover the ambient light sensor again. Did the keyboard backlight work?	Yes	Issue resolved.	
	No	Go to step 3.	



3. In the Apple System Profiler, can you see the AirPort and Bluetooth cards?	Yes	The light sensor connection to logic board is likely good. Replace display assembly.	<b>L14</b>
	No	Go to step 4.	
4. Reseat the keyboard backlight connection to the logic board. Does the keyboard backlight work now?	Yes	Issue resolved.	
	No	Go to step 5	
5. Measure the voltage between pin 4 and pin 2 of the keyboard backlight connector J5815. Is there voltage present with the running system in a dark room?	Yes	Replace top case.	<b>K10</b>
	No	Replace logic board.	<b>M99</b>

## Built-in Keyboard Is Not Recognized

Unlikely cause: LCD, hard drive, optical drive

### Quick Check

Symptom	Quick Check
<b>Built-in Keyboard Is Not Recognized</b> <ul style="list-style-type: none"> <li>Keystrokes not recognized</li> </ul>	<ol style="list-style-type: none"> <li>Reset SMC.</li> <li>Press Caps Lock. If the Caps Lock light comes on that indicates at least a partial connection to the logic board.</li> <li>In System Preferences: International: Input Menu, enable Keyboard Viewer. Select Show Keyboard Viewer from the Input Menu in the menu bar. Test the keyboard.</li> </ol>

### Deep Dive

Check	Result	Action	Code
1. In Apple System Profiler do you see "Apple Internal Keyboard/Trackpad" listed under USB hardware devices?	Yes	Go to step 3.	
	No	Go to step 2.	



2. Reset SMC and verify if Apple Internal Keyboard/Trackpad is now seen in the USB devices list of Apple System Profiler.	Yes	Go to step 3.	
	No	Replace logic board.	<b>M15</b>
3. Disconnect and verify that keyboard flex cable is in good condition (no delamination or torn cable end, no missing or cracked tracks).	Yes	Go to step 4.	
	No	Go to the “Built-In Trackpad Does not Work” symptom table.	
4. Reseat cable and check that flex cable end is fully inserted and aligned with connector on logic board, and that connector lock is closed. Verify that keyboard now functions properly.	Yes	Issue resolved.	
	No	Replace top case. Go to step 5.	<b>K11</b>
5. Verify that all keys are functional using ASD.	Yes	Issue resolved.	
	No	Replace logic board.	<b>M15</b>

## Built-in Trackpad Does Not Track Properly

Unlikely cause: LCD, hard drive, optical drive

### Quick Check

Symptom	Quick Check
<b>Built-in Trackpad Does Not Track Properly</b> <ul style="list-style-type: none"> <li>• Cursor movement is random, uneven, or jumpy.</li> <li>• Cursor hangs or stalls along path.</li> </ul>	<ol style="list-style-type: none"> <li>1. Check for environmental factors such as humidity, hand lotion or jewelry. Check if user is touching the trackpad simultaneously with both hands.</li> <li>2. Clean the trackpad surface (with the computer off) using a clean, dry, lint free cloth.</li> <li>3. Make sure all software and firmware updates have been applied.</li> <li>4. If the issue occurs when system is running from the power adapter, use a grounded power cord with the power adapter.</li> </ol>



## Deep Dive

Check	Result	Action	Code
1. Can you see the Apple Internal Keyboard/Trackpad continuously listed under USB in Apple System Profiler?	Yes	Trackpad communicating to system. Go to step 5.	
	No	Go to step 2	
2. Does the trackpad look damaged?	Yes	Test with known good trackpad. Go to step 6.	
	No	Go to step 3.	
3. Reseat the trackpad flex cable on the logic board. Does the trackpad work now?	Yes	Loose cable. Issue resolved.	
	No	Go to step 4.	
4. Is the trackpad connector on the logic board damaged?	Yes	Replace logic board.	<b>M24</b>
	No	Go to step 5.	
5. In System Preferences: Universal Access, turn off special Keyboard and Mouse & Trackpad settings. Does trackpad work now?	Yes	Settings issue resolved.	
	No	Go to step 6.	
6. Does a known-good trackpad work?	Yes	Replace defective trackpad.	<b>K02</b>
	No	Replace logic board.	<b>M16</b>



## Apple Remote Inoperable

Unlikely cause: LCD, hard drive, optical drive

### Quick Check

Symptom	Quick Check
<b>Apple Remote Inoperable</b> <ul style="list-style-type: none"> <li>Remote is not recognized.</li> </ul>	<ol style="list-style-type: none"> <li>The computer is on and awake.</li> <li>Check with known-good remote on user's computer and the user's remote on known-good computer</li> <li>Remote is used within 30 feet of the computer and unobstructed line-of-sight to the IR window.</li> <li>Clean the IR window.</li> <li>Open System Preferences: Security pane. Verify that "Disable remote control infrared receiver" is not checked.</li> <li>In Security pane, if "Unpair" button is active, press it and pair the Apple Remote. See "Pairing your Apple Remote with your computer" (<a href="#">Knowledge Base HT1619</a>).</li> </ol>

### Deep Dive

Check	Result	Action	Code
1. Open Photo Booth or iChat's Video Preview window. Point Apple Remote at the built-in iSight camera, press any button on the remote, and verify that (as seen through the camera) there is a faint blinking light on the remote.	Yes	Apple Remote is working. Go to step 2.	
	No	Replace the remote's battery. Go to step 2.	
2. Verify that you can pair the Apple Remote with a known-good system?	Yes	Go to step 3.	
	No	Replace the Apple Remote. Go to step 3.	<b>X04</b>
3. Go in Security settings of System Preferences. Uncheck the "Disable remote control infrared receiver" if checked, and verify that Apple Remote now works..	Yes	Issue resolved.	
	No	Check and reseat HD SATA/IR/ Sleep LED cable connection at logic board. Go to step 4.	



4. Does the Apple Remote now work?	Yes	Issue resolved.	
	No	Replace the HD SATA/IR/Sleep LED cable. Go to step 5.	
5. Does the Apple Remote now work?	Yes	Issue resolved.	<b>K99</b>
	No	Replace logic board.	<b>M15</b>

## Built-in Speaker Has No Audio

Unlikely cause: LCD, hard drive, optical drive

### Quick Check

Symptom	Quick Check
<b>Built-in Speaker Has No Audio</b> Can't hear any audio from within the machine.	<ol style="list-style-type: none"> <li>1. Make sure all software updates have been applied.</li> <li>2. Check in System Preferences: Sound: Output that sound output is set to "Internal Speakers."</li> <li>3. Use the F12 volume key to set the sound to maximum.</li> <li>4. Reset PRAM.</li> </ol>

### Deep Dive

Check	Result	Action	Code
1. Check System Preferences: Sound: Output and verify that no external speakers, "Digital Out," or headphones are being reported connected when there is none present.	Yes	Audio-out port is not damaged. Go to step 3.	
	No	Go to step 2	
2. With known-good headphone or speakers, plug in the audio output jack for several cycles. Verify that you get audio through external headphones/speakers when connected.	Yes	Go to step 4	
	No	Reseat the speaker connectors to logic board. Go to step 3.	





3. Verify that you now get audio through internal speakers .	Yes	Issue resolved.	
	No	Replace logic board.	<b>M09</b>
4. Disconnect known-good headphones or speakers. Verify that you now get audio through internal speakers.	Yes	Issue resolved.	
	No	Replace affected speaker(s).	<b>X08</b>

## Distorted Sound from Internal Speaker

Unlikely cause: LCD, hard drive, optical drive

### Quick Check

Symptom	Quick Check
<b>Distorted Sound from Internal Speaker</b> <ul style="list-style-type: none"> <li>Distorted audio</li> </ul>	<ol style="list-style-type: none"> <li>Reset PRAM.</li> <li>Adjust sound output and level in System Preferences: Sound: Output, and use the Balance to locate a left, right, or woofer speaker distortion source.</li> <li>Compare the same sound and same settings against another unit to make sure the sound is actually distorting.</li> </ol>

### Deep Dive

Check	Result	Action	Code
1. Comparing internal speakers with headphones, is the distortion on both headphones and speakers?	Yes	Audio source or gain issue. Reset PRAM, adjust sound level in System Preferences: Sound: Output, and retest with known-good audio source and external speakers. Go to step 5.	
	No	Internal speaker issue. Go to step 2.	



2. Use the Sound Output system preference to test the left and right speakers. If lower bass notes are distorted, right speaker/subwoofer may be defective. Are all speakers free of distortion, sounding clear and loud?.	Yes	Issue resolved.	
	No	Adjust volume to test full range of volume settings. Go to step 3.	
3. Is affected speaker cable properly inserted and free from damage?	Yes	Go to step 4.	
	No	Reseat speaker cable or replace damaged speaker. Go to step 5.	<b>X09</b>
4. Is affected speaker membrane free from dust or debris, and speaker membrane is not deformed/damaged?	Yes	Go to step 5.	
	No	Clean any dust or debris. Go to step 5. If membrane is damaged, replace the bad speaker(s).	<b>X09</b>
5. Verify that speaker enclosure is not damaged, correctly installed in system, and does not create unneeded vibration when sound is played.	Yes	Speaker housing and installation is good. Go to step 6.	
	No	Properly install or replace affected speaker. Go to step 6.	
6. Verify that internal speakers no longer produce distorted sound.	Yes	Issue resolved.	<b>X09</b>
	No	Replace logic board.	<b>M09</b>



## SD (Secure Digital) Memory Card Will Not Insert Into Slot

Unlikely cause: LCD, logic board, hard drive

### Quick Check

Symptom	Quick Check
<p><b>SD Memory Card will not insert into SD Slot</b></p> <p>SD Memory Card does not fully seat into the slot</p> <p>Slot door does not open completely</p>	<ol style="list-style-type: none"> <li>1. The SD memory card must be a 32 mm by 24 mm by 2.1 mm. You can also use thinner cards, such as MultiMediaCards (MMC).</li> <li>2. Clear any obstruction in the slot.</li> </ol>

### Deep Dive

Check	Result	Action	Code
1. Check that a known-good SD card fits in slot.	Yes	Ask customer to replace defective or out-of-spec SD card.	
	No	Loosen all logic board screws and insert known-good SD card. again Go to Step 2.	
2. Does memory card now fit in SD slot?	Yes	Tighten back the the logic board screws and go to Step 3.	
	No	Replace logic board and retest.	<b>M17</b>
3. Does SD card now eject and insert without issue?	Yes	Issue resolved by logic board alignment.	
	No	Replace logic board. .	<b>M17</b>



## SD (Secure Digital) Memory Card Not Recognized By System

Unlikely cause: LCD, logic, optical drive, hard drive

### Quick Check

Symptom	Quick Check
<p><b>SD Memory Card is not recognized by the system.</b></p> <p>Card does not show up on the desktop or in System Profiler</p>	<ol style="list-style-type: none"> <li>1. Check correct drivers are installed for the customer's SD card type. Standard SD memory cards are supported by OS Software, but other may require specific driver software to be used.</li> <li>2. Verify with known good SD Memory card that issue remains.</li> </ol>

### Deep Dive

Check	Result	Action	CSC
1. Verify that SD card inserts correctly.	Yes	Go to step 2.	
	No	Go to Symptom table "SD Memory card Will Not Insert Into Slot."	
2. Verify that the SD card shows up on the desktop or in System Profiler.	Yes	Go to step 3	
	No	Check that a known-good SD Memory card can read and write correctly on system. If yes, redirect customer to SD card vendor for faulty/ unsupported card. If no, replace logic board for damaged SD card slot.	<b>M17</b>



3. Unlock the customer SD Card and verify that it can be read and written on system.	Yes	System is functional.	
	No	Check that a known-good SD Memory card can read and write correctly on system. If yes, redirect customer to SD card vendor for faulty/ unsupported card. If no, replace logic board for damaged SD card slot.	<b>M17</b>

## FireWire Port Not Recognizing Known Devices

Unlikely cause: LCD, logic, optical drive, hard drive

### Quick Check

Symptom	Quick Check
<b>FireWire Port is not recognizing known devices</b>  Attached FireWire device like digital camera or mass storage drive not recognized by the system	<ol style="list-style-type: none"> <li>1. Check for latest software update.</li> <li>2. Use Apple System Profiler to verify the computer recognizes the FireWire bus.</li> <li>3. Test port by connecting to another computer using FireWire Target Disk Mode.</li> <li>4. Verify the FireWire cable is good.</li> <li>5. Verify a self powered FireWire device is getting power</li> </ol>

### Deep Dive

Check	Result	Action	Code
After resetting SMC, was the FireWire Port recognized?	Yes	Issue resolved.	
	No	FireWire port is bad. Replace main logic board.	<b>M12</b>



## Uncategorized Symptom

### Quick Check

Symptom	Quick Check
<b>Uncategorized Symptom</b> Unable to locate appropriate symptom code	Verify whether existing symptom code applies to the issue reported by the customer. If not, document reported symptom and send feedback to <a href="mailto:smfeedback@apple">smfeedback@apple</a> stating that a suitable symptom code could not be found.



# Mechanical Issues: Thermals and Enclosure

## Reset/Power Button Stuck

Unlikely cause: LCD, hard drive, optical drive

### Quick Check

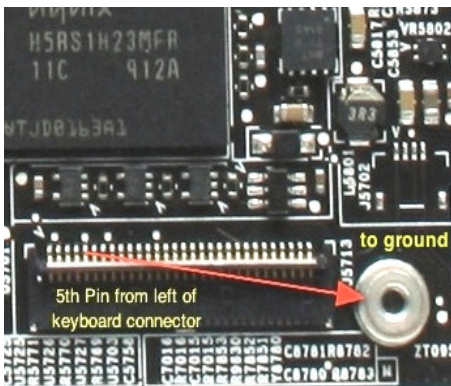
Symptom	Quick Check
<b>Reset/Power Button Stuck</b> <ul style="list-style-type: none"> <li>System will not power on</li> <li>System sounds bootROM unlock tone during startup</li> <li>System automatically starts up repeatedly</li> </ul>	<ol style="list-style-type: none"> <li>Diagnose stuck button with SMC keyboard reset sequence</li> <li>Check for issue occurrence on battery and on AC power</li> <li>If on battery only, check battery using Battery Diagnostic Utility</li> </ol>

### Deep Dive

Check	Result	Action	Code
<ol style="list-style-type: none"> <li>Reset SMC using keyboard 3 keys and power-on key. MagSafe LED can verify SMC reset. Momentary stop of battery charging will indicate SMC reset, orange LED will go green momentarily then return to orange.</li> </ol>	Yes	Keyboard reset works while holding 3 keys and toggling power-on key, multiple press and release of power-on key works to show power-on key not stuck or fixed.	
	No	SMC keyboard reset not working, suggests power-on key is open circuit or stuck down. Go to step 2.	
<ol style="list-style-type: none"> <li>Remove battery and AC power for 30 seconds to perform a manual SMC reset. Apply AC power. Does power-on key work when pressed?</li> </ol>	Yes	SMC restored from power removal sequence. Power-on key now working properly.	
	No	Power-on key stuck or open. Go to step 3.	



<p>3. Inspect keyboard flex cable for loose or damaged connections.</p> <p>Align and reseat the keyboard flex cable on logic board connector.</p> <p>Does power-on key now work correctly?</p>	Yes	Cable reseat restored power-on key operation.	
	No	Power-on key still appears to be stuck or open. Go to step 4.	
<p>4. Remove two screws on metal cable cover to access keyboard connector.</p> <p>-Plug known good powered AC adapter.</p> <p>-Try to power system using power key</p> <p>-If no power, use conductive tool to short pin 5 of keyboard connector with ground on logic board as seen on image to the left. (Make sure you don't touch any other pins on the connector.)</p> <p>-Does system power on?</p> <p>-If not, power on key may be stuck. Disconnect keyboard cable and try shorting pin 5 to ground.</p> <p>- Does the system power on?</p>	Yes	System powers on suggesting top case power on key circuit is open. Replace top case for open power-on key.	<b>X14</b>
	No	Power-on key circuit appears to be closed suggesting a stuck power-on key. Go to step 5.	
<p>5. Disconnect the internal keyboard flex cable from logic board and use a conductive tool to short pin 5 of keyboard connector with ground on logic board (see image on left) Make sure you don't touch any other pins on the connector.</p> <p>Does system power on?</p>	Yes	Shorting pin 5 on keyboard connector to ground starts the system. Replace top case due to stuck power-on key.	<b>X14</b>
	No	Go to symptom table: No power/ not booting	







## System Runs Hot

Unlikely cause: LCD, hard drive, optical drive

### Quick Check

Symptom	Quick Check
<b>System Runs Hot</b> <ul style="list-style-type: none"> <li>System feels very warm</li> <li>Fan(s) not working</li> <li>Fan(s) are full on</li> </ul>	<ol style="list-style-type: none"> <li>Verify the computer operating on a flat, hard surface and the vents are not blocked.</li> <li>Verify the computer is not running hotter than expected for normal operation. If possible, compare to a similarly configured computer.</li> <li>Reset SMC.</li> <li>Inspect fan performance</li> <li>Run thermal sensor test.</li> </ol>

### Deep Dive

Check	Result	Action	Code
1. Is the system running as expected (compared to similar system)?	Yes	Use "Apple Portables: Operating Temperature" ( <a href="#">Knowledge Base HT1778</a> ) to inform user it is operating normally.	
	No	Go to step 2.	
2. Are there runaway applications? See "Runaway applications can shorten battery run time" ( <a href="#">Knowledge Base TS1473</a> ).	Yes	Check with the vendor for compatibility and software update.	
	No	Go to step 3.	
3. Fans are typically on at minimum speed. Perform SMC reset or remove all power for 15 minutes. Is the fan(s) running properly?	Yes	Go to step 5.	
	No	Fan(s) not running or always running at full speed. Go to step 4.	



4. Reseat fan connection to logic board or test a known-good fan. Replace a fan that is not spinning or replace logic board that is not spinning a known-good fan. Is fan(s) working properly?	Yes	Reseating or replacing bad fan resolved issue. Replace logic board if it does not work with known-good fan.	<b>X99 or M18</b>
	No	Go to step 5.	
5. Is the heatsink installed properly with no damage to heat fins?	Yes	Go to step 7.	
	No	Replace missing screws or damaged heatsink. Go to step 6.	
6. Is the system running as expected?	Yes	Heatsink installed incorrectly. Issue resolved.	<b>X10</b>
	No	Go to step 7.	
7. Heatsink thermal grease possibly missing or improperly installed during previous repair?	Yes	Replace heatsink or install thermal grease.	<b>X10</b>
	No	Go to step 8.	
8. Inspect and reseat connections to thermal sensors throughout the system, run test for sensor monitoring.	Yes	Thermal module or other sensor reseat resolved issue.	<b>X99</b>
	No	Replace logic board if sensor error. Go to step 9.	
9. After logic board replacement, is the computer running as expected?	Yes	Bad logic board. Issue resolved.	<b>M23</b>
	No	Use minimum configuration troubleshooting to isolate the issue.	



## Uncategorized Symptom

### Quick Check

Symptom	Quick Check
<b>Uncategorized Symptom</b> Unable to locate appropriate symptom code	Verify whether existing symptom code applies to the issue reported by the user. If not, document reported symptom and send feedback to <a href="mailto:smfeedback@apple.com">smfeedback@apple.com</a> stating that a suitable symptom code could not be found.

---

# **Apple Technician Guide**

## **Take Apart**

---

### **MacBook Pro (15-inch, Mid 2009)**



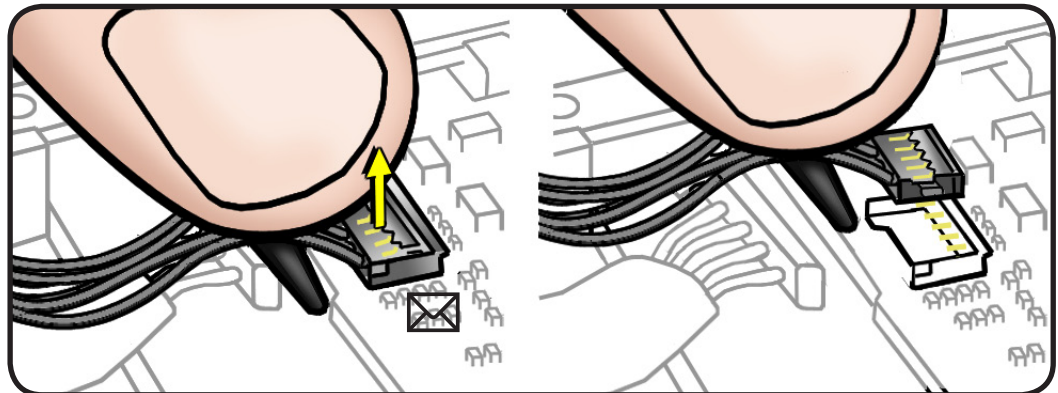
# General Information

## Connector Types on Logic Board

On the logic board are six types of connectors, each requiring special handling. Make sure you read these tips before disconnecting and installing the connectors.

### Vertical Insertion (JST)

- Use black stick under cable to remove.
- Keep connector level to board when disconnecting and reconnecting.
- Press evenly when reconnecting or connector can be tipped up and not fully seated.

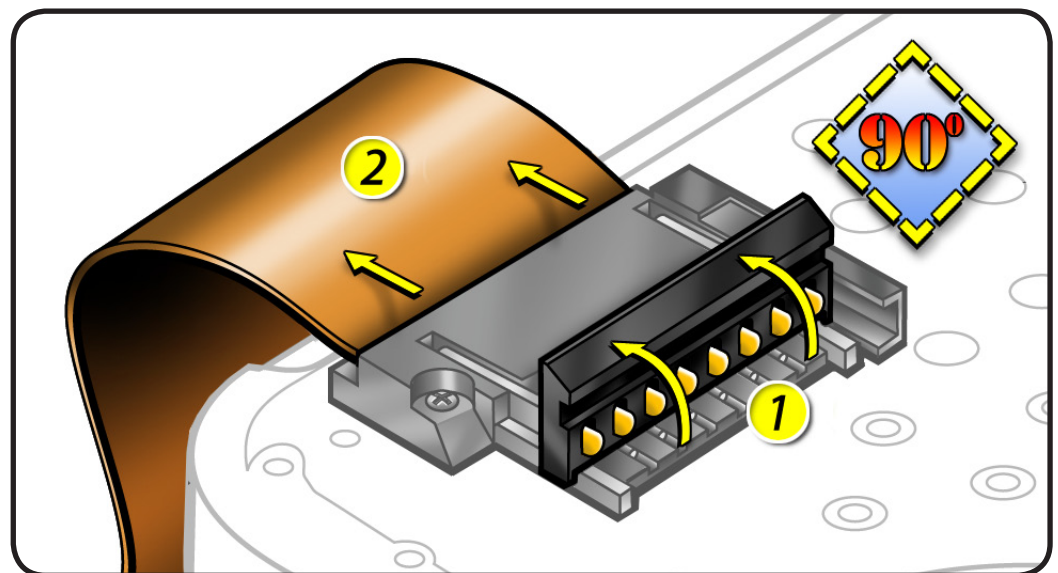


Examples:

- fan cable
- heatsink sensor
- left speaker on underside of board

### Locking Lever

- Flip up lever 90 degrees for cable removal.
- Slide connector into receptacle. Use tweezers if necessary.
- Lock down lever after inserting cable.



Examples:

- IR/SIL flex cable
- keyboard flex
- backlight flex cable

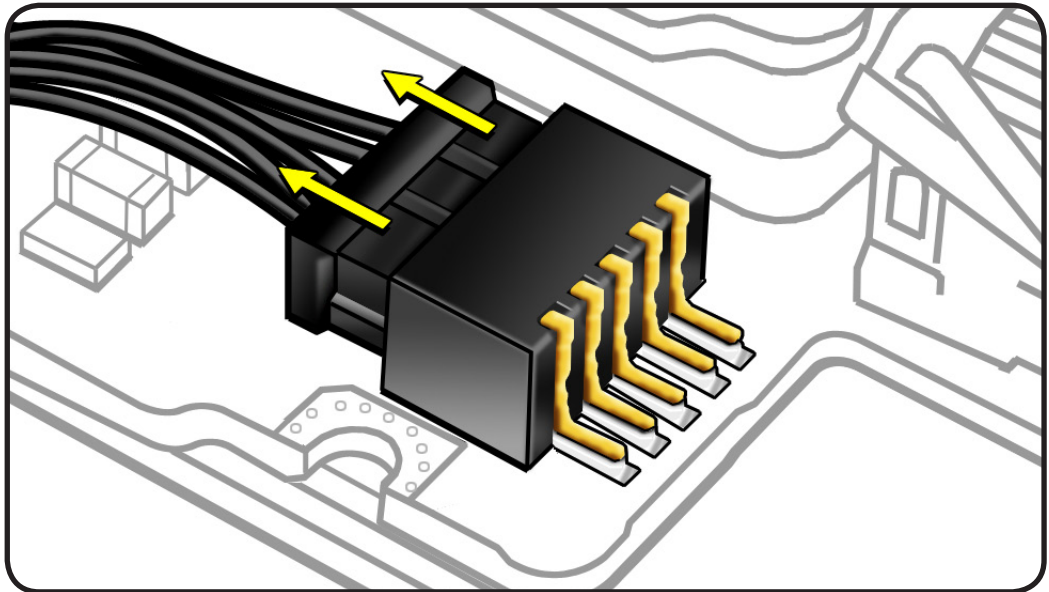


### Horizontal Install

- Pull connector, not cable, to remove.
- Slide connector into receptacle on same horizontal plane as board.

Examples:

- MagSafe cable on underside of board
- battery power cable on underside of board

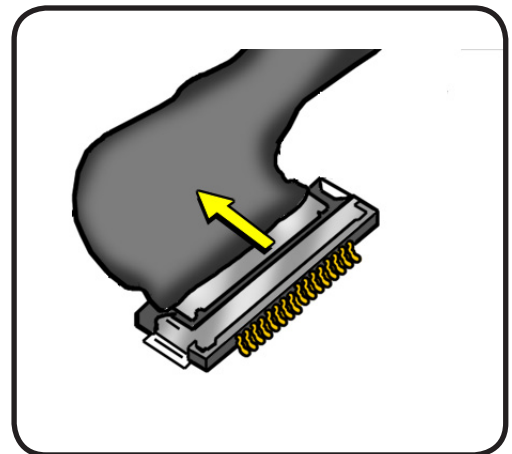
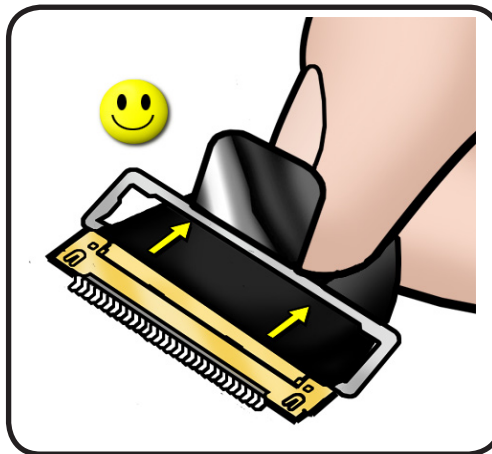


### Thin, Multi-Pin Horizontal Insert

- Use fingernails or tweezers to remove evenly.
- Slide connector into receptacle on same horizontal plane as board.

Examples shown:

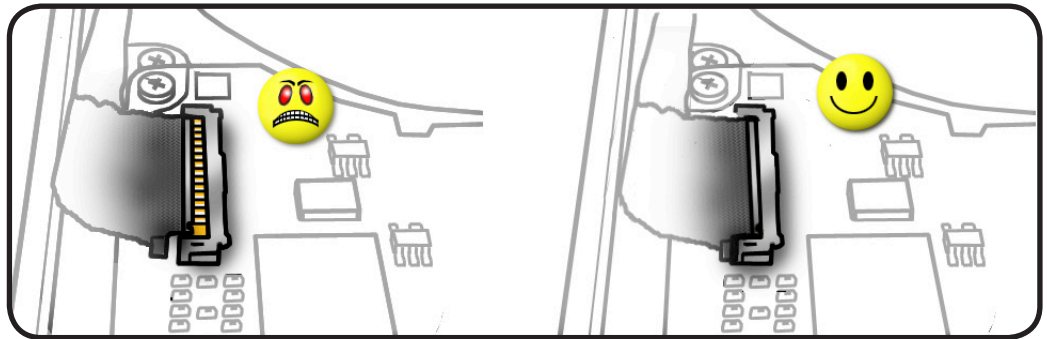
- LVDS cable with lock bar
- Camera/USB/AirPort/Bluetooth display cable



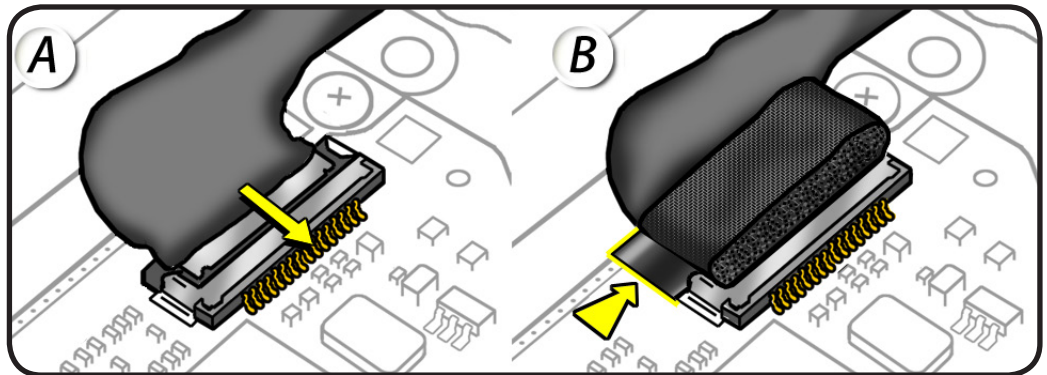


**Replacement Caution:**

When connecting cables, make sure they are fully connected.



**Replacement Caution:** To avoid a short to the logic board, be sure to place EMI gasket on camera cable—positioned precisely where shown—**after** cable is fully connected to logic board. Then, place black shim behind connector.



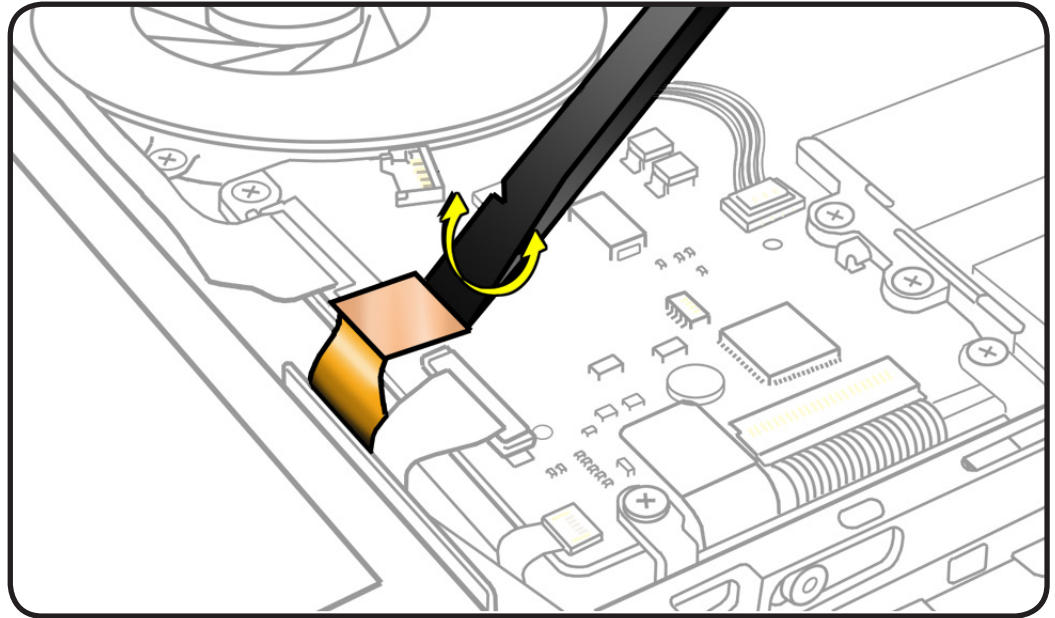


### Low-Profile Solid Platform Flex

- Use black stick and gentle rocking motion to release tension to remove cable.
- Keep connector level to board and press evenly on platform to install.

Examples:

- optical drive flex cable
- trackpad flex cable





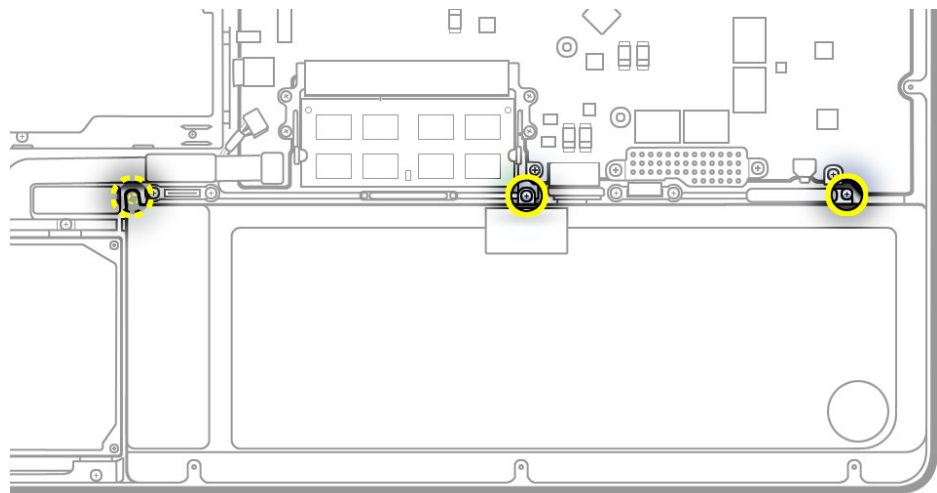
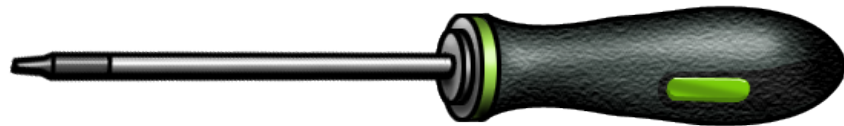


## Battery Precaution

This computer contains an internal-only battery that is serviceable by Apple-authorized service providers only. Tamper-proof screws are employed to prevent customers from attempting to remove it. Before you begin any procedure (except memory removal), disconnect the battery from the logic board. Failure to do so could damage the computer.

## Battery Removal Tool

To remove the security screws holding the battery in place, you will need a special tool, the Torx Plus Tamper 6 screwdriver, Apple part number 922-9101, available through GSX.



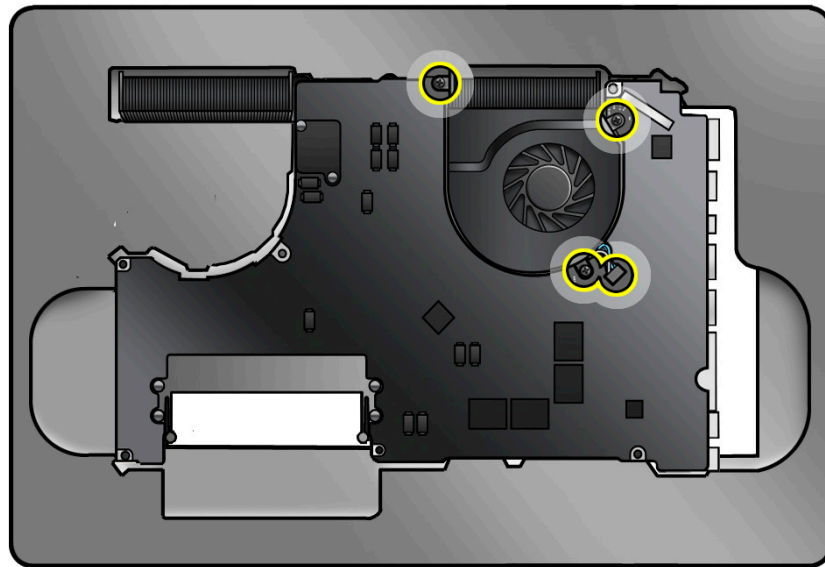


## Service Fixture

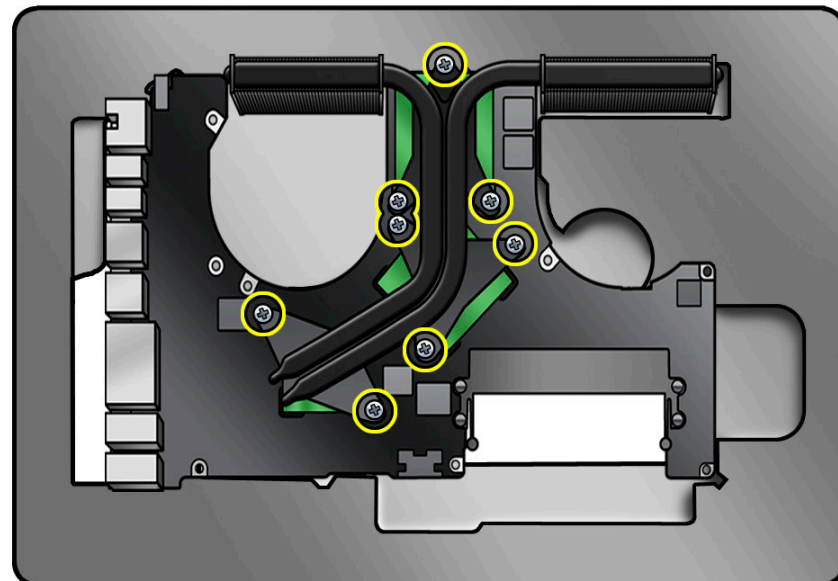
A custom-made fixture (922-9102) is used to remove and replace the heatsink and left fan from the logic board to prevent flexing the logic board

The service fixture provides support to the logic board. Failure to use the service fixture will flex the logic board and strain components on the board. The fixture is two-sided; one side is for fan removal and installation and the other side is for heatsink removal and installation. The graphics below demonstrate the logic board positioned on each side of the fixture.

### Fan installation and removal side





### Heatsink installation and removal side





## Icon Legend

The following icons are used in this chapter:

Icon	Meaning
	Warning or Caution
	Check mark; make sure you do this

## Temperature Concerns

The normal operating temperature of this computer is well within national and international safety standards. Nevertheless, customers may be concerned about the generated heat. To prevent an unneeded repair, you can compare a customer's computer to a running model, if available, at your repair site. For more information on temperature concerns and customer perception, refer to Knowledge Base article 30612 "Apple Portables: Operating Temperature."

<http://docs.info.apple.com/article.html?artnum=30612>

## Replacement Steps

When there are no replacement steps listed, replace parts in the exact reverse order of the Removal procedure.

## Screw Sizes

All screw sizes shown are approximate and represent the total length of the screw.



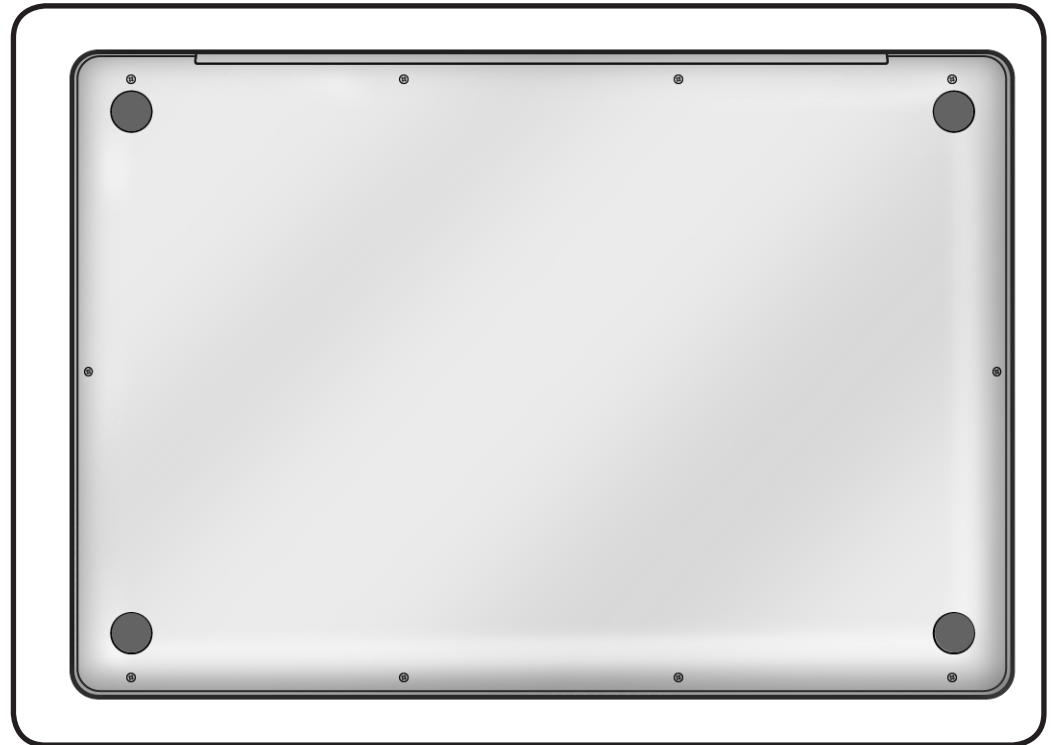
# Bottom Case

## First Steps



Warning:

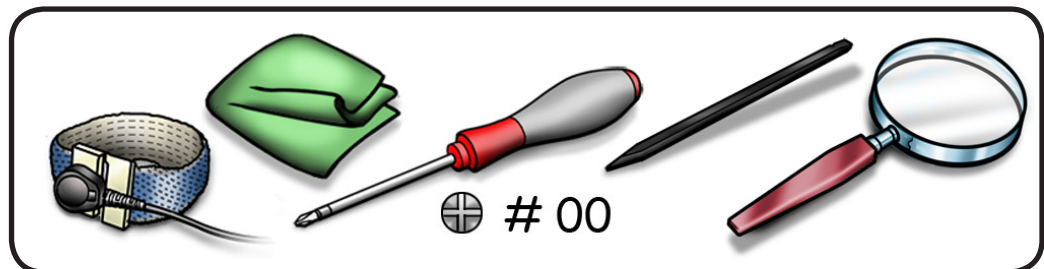
- Shut down computer.
- Wait 10 minutes
- Unplug all cables.
- Put on ESD strap.



## Tools

Clean, soft, lint-free cloth

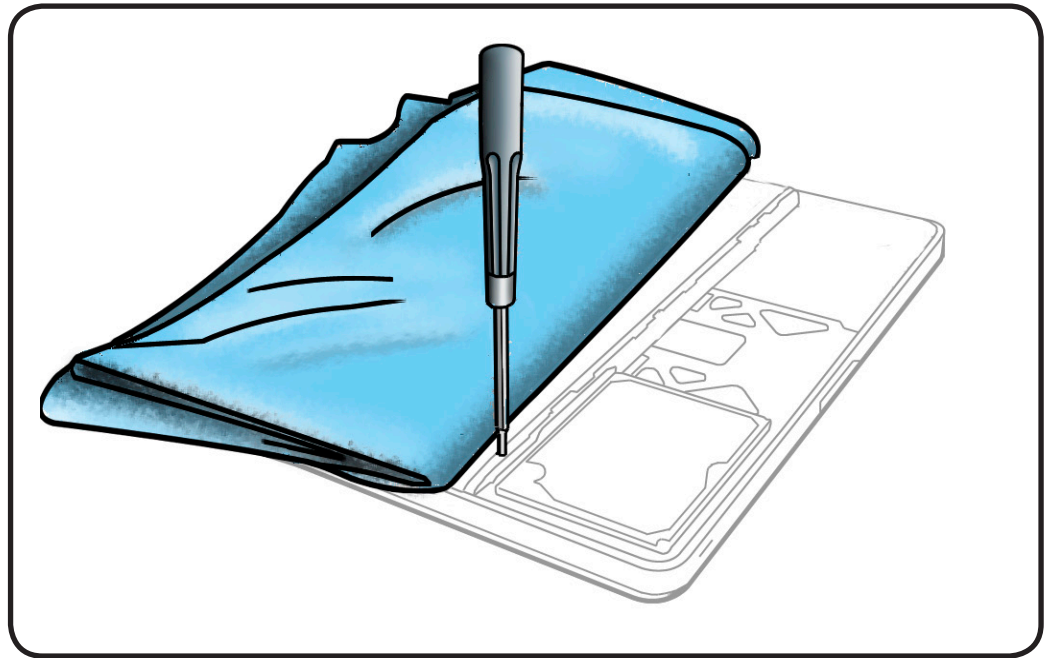
- ESD wrist strap and mat
- Magnetized Phillips #00 screwdriver
- Black stick
- Magnifying glass



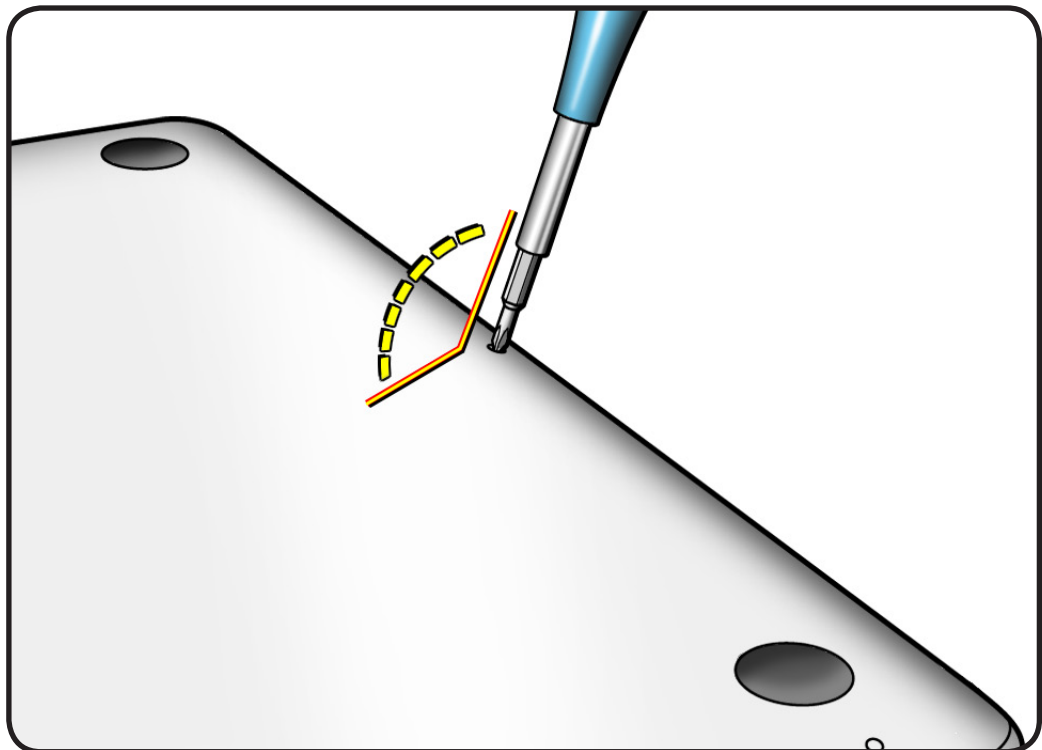


## Removal

**Caution:** To prevent scratches, use a protective cloth.



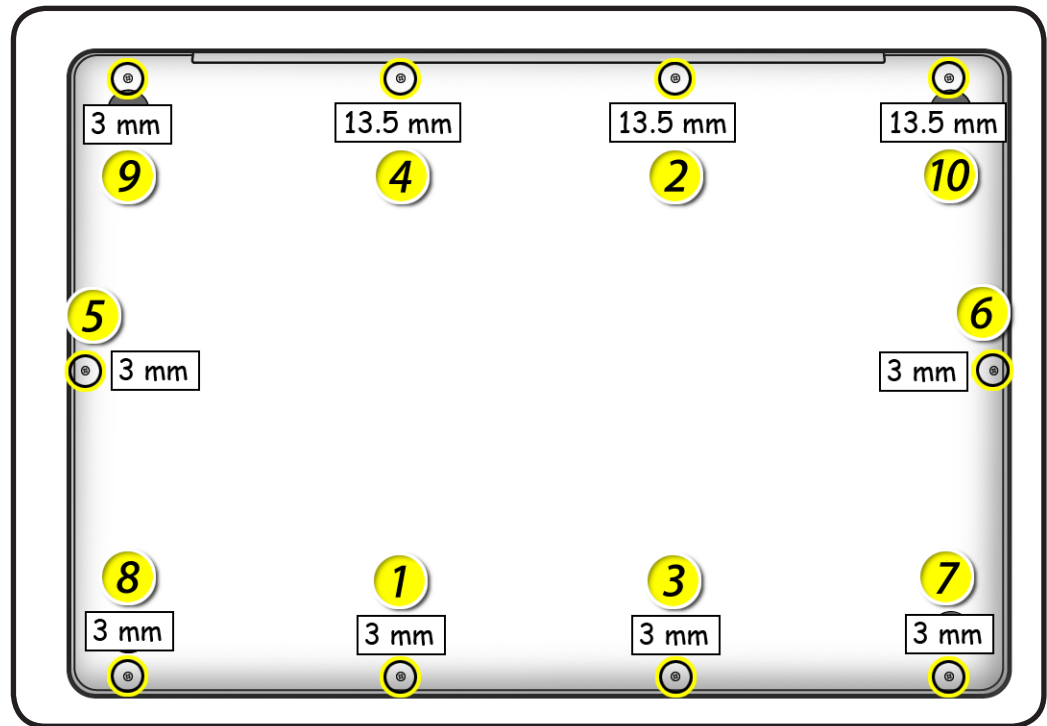
- 1 Important:** The screws at the sides and front of the computer must be removed and installed at an angle.





- 2** Remove 10 screws:
- 3 (13.5 mm) 922-8985
  - 7 (3 mm) 922-8986

**Replacement Note:** Install screws in the order shown.



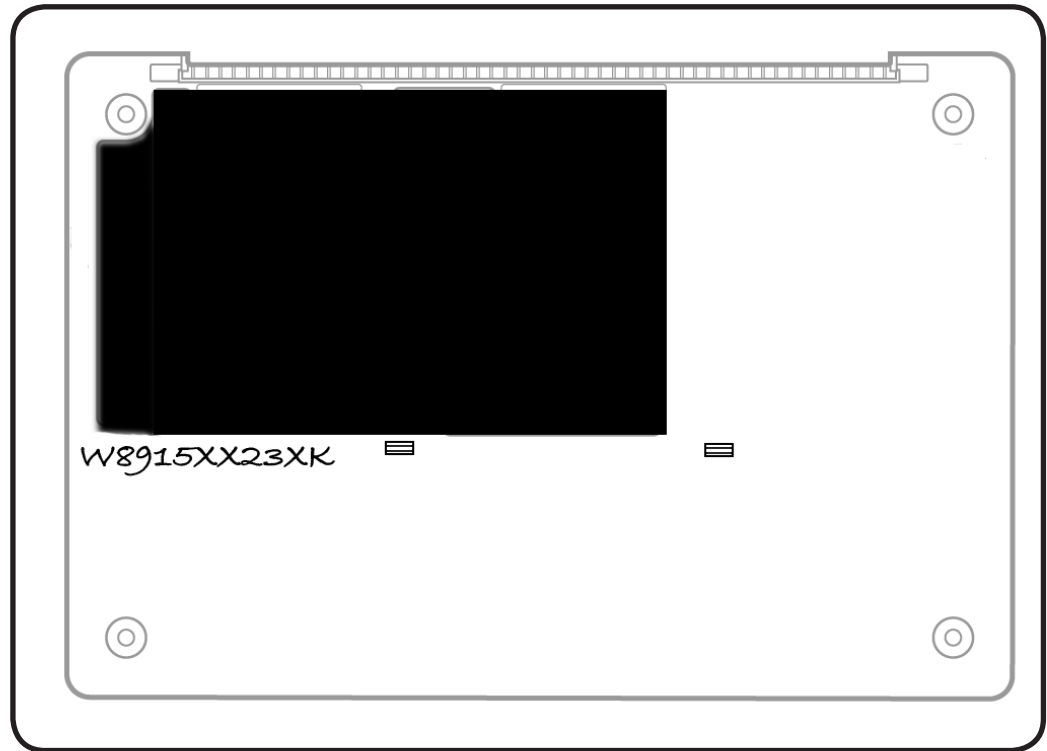
- 3** Use black stick to loosen and remove bottom case.



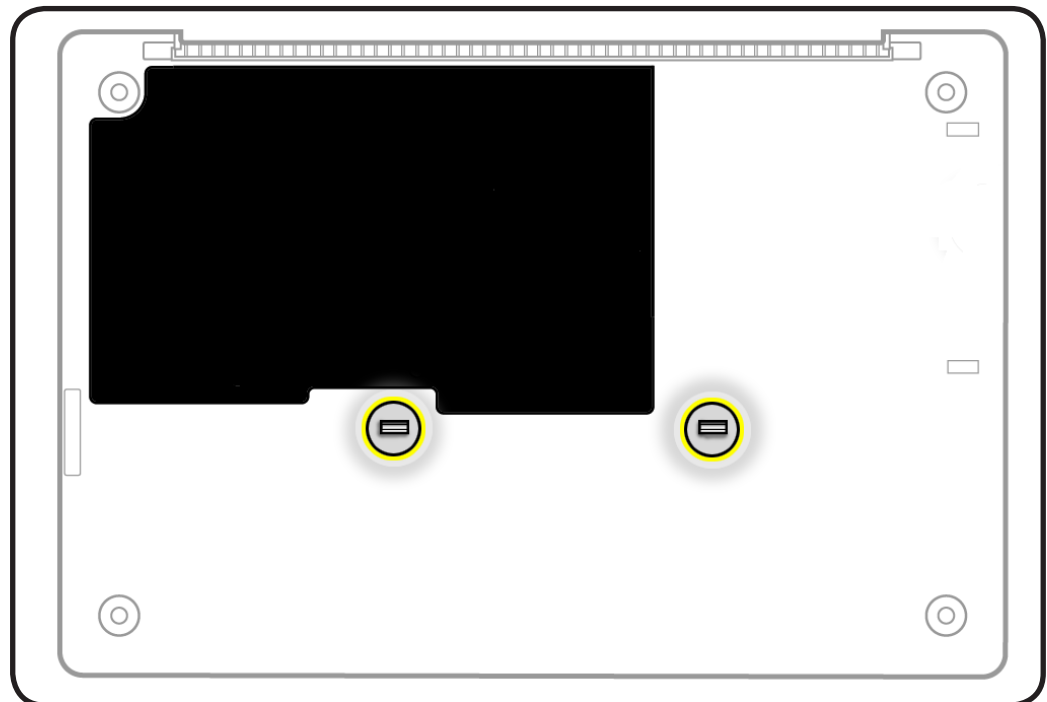


## Replacement

- 1 When replacing a bottom case, retain the customer's bottom case until the repair is complete. Before installing the replacement bottom case, write the serial number on the inside of the new bottom case. You might need a magnifying glass to read it. Refer to [Transferring the Serial Number](#).



- 2 Install bottom case so that 2 clips snap onto top case.



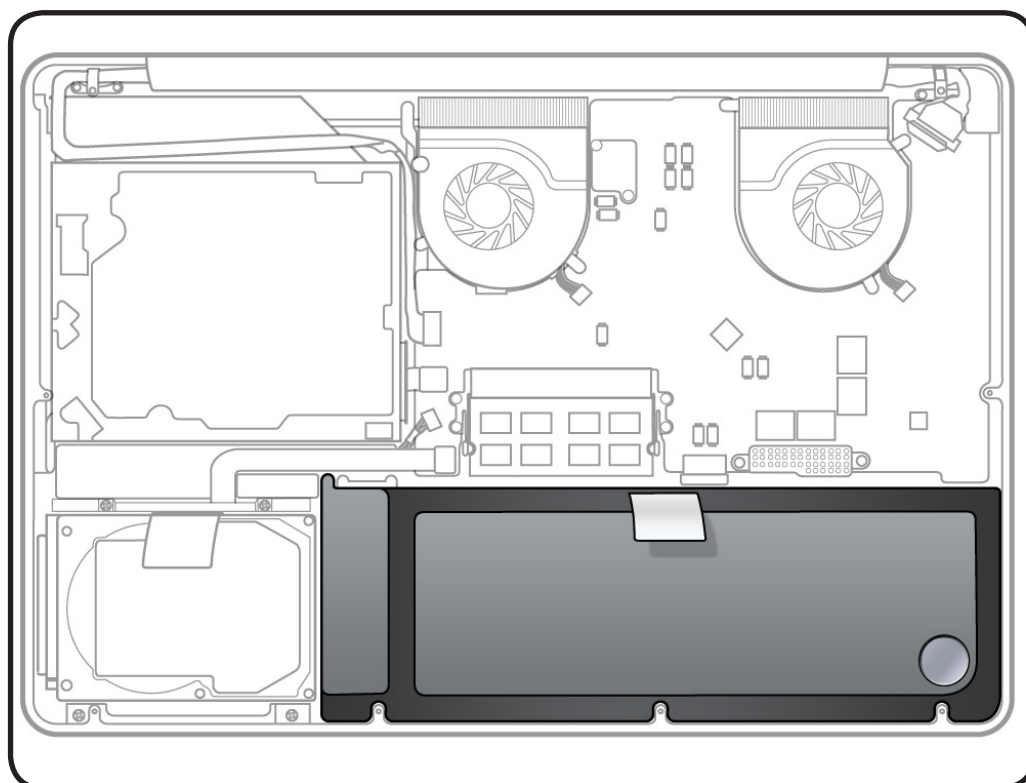


# Battery

## First Steps

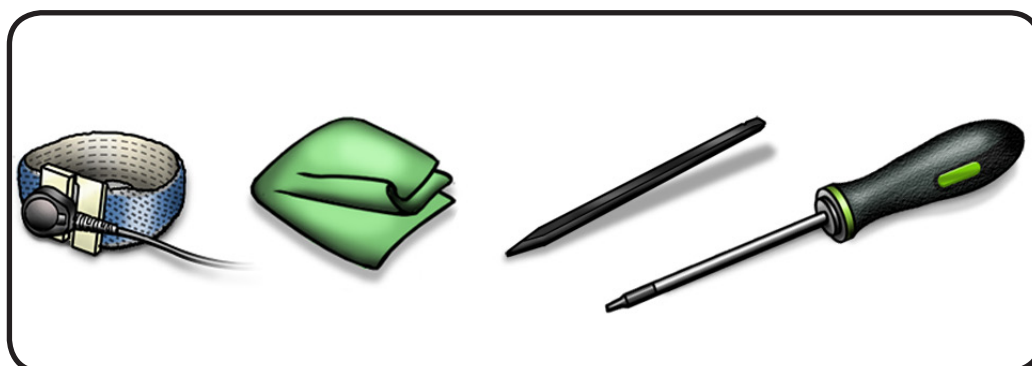
Remove:

- [Bottom case](#)



## Tools

- Clean, soft, lint-free cloth
- ESD wrist strap and mat
- Torx Plus® Tamper 6 screwdriver (922-9101)

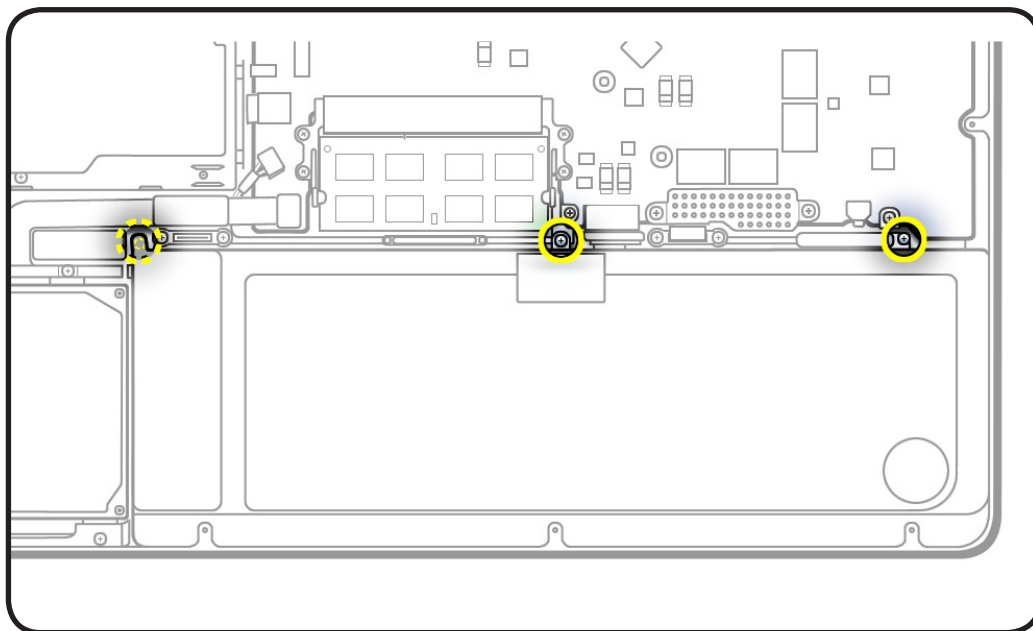




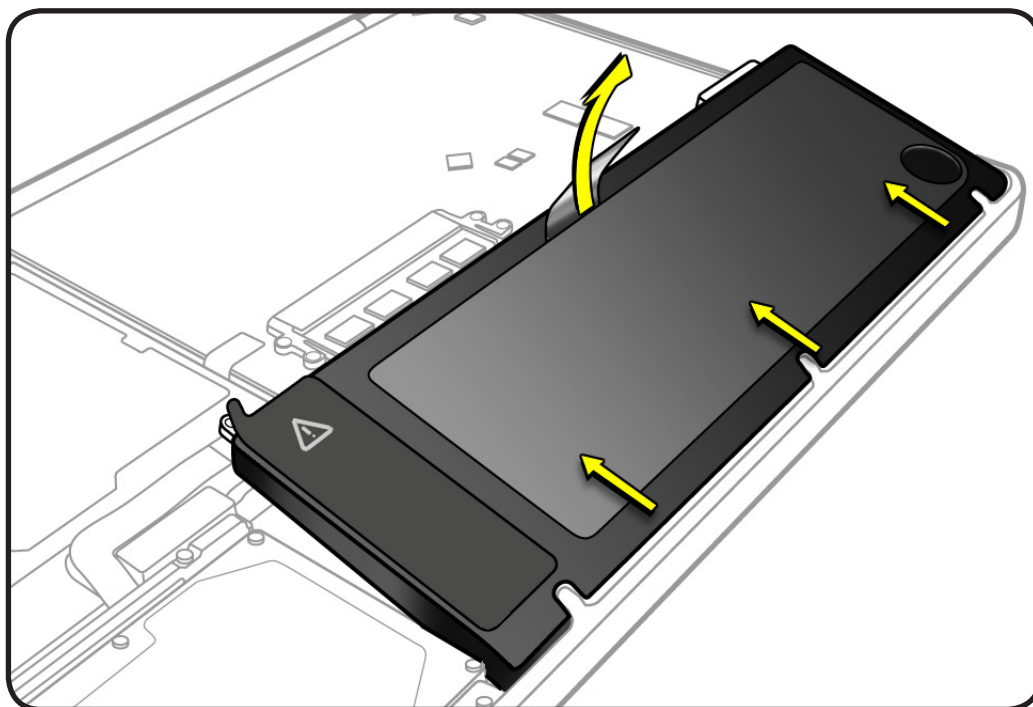


## Removal

- 1 Remove 3 (922-9040) Torx Plus® Tamper 6 security screws.

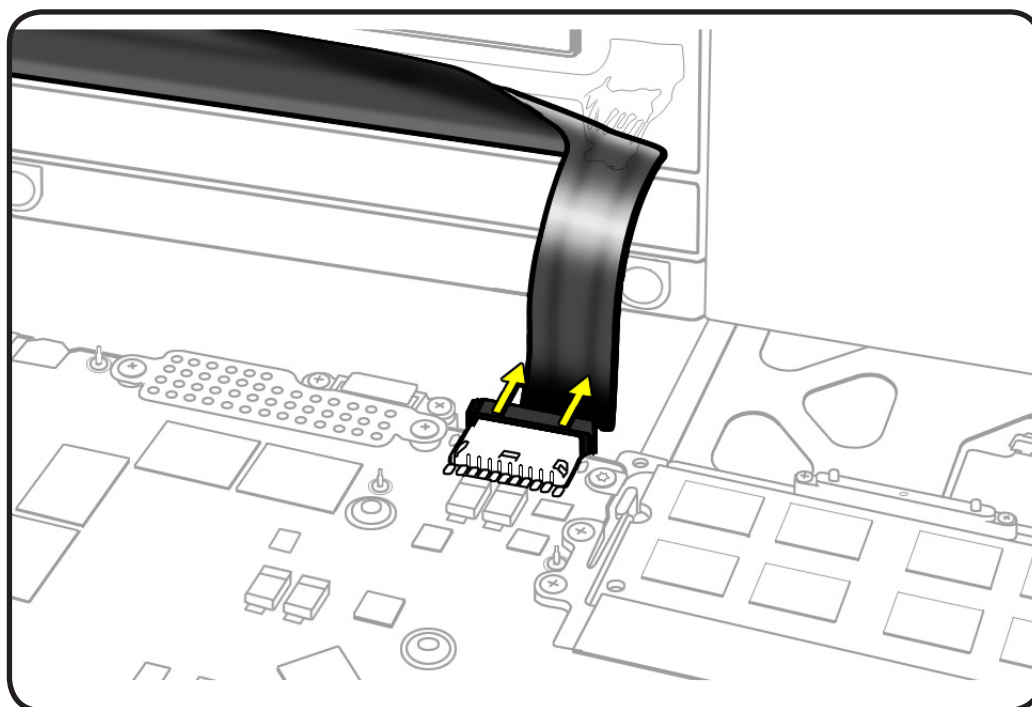


- 2 Pull battery tab up and forward a short distance to access the battery cable.





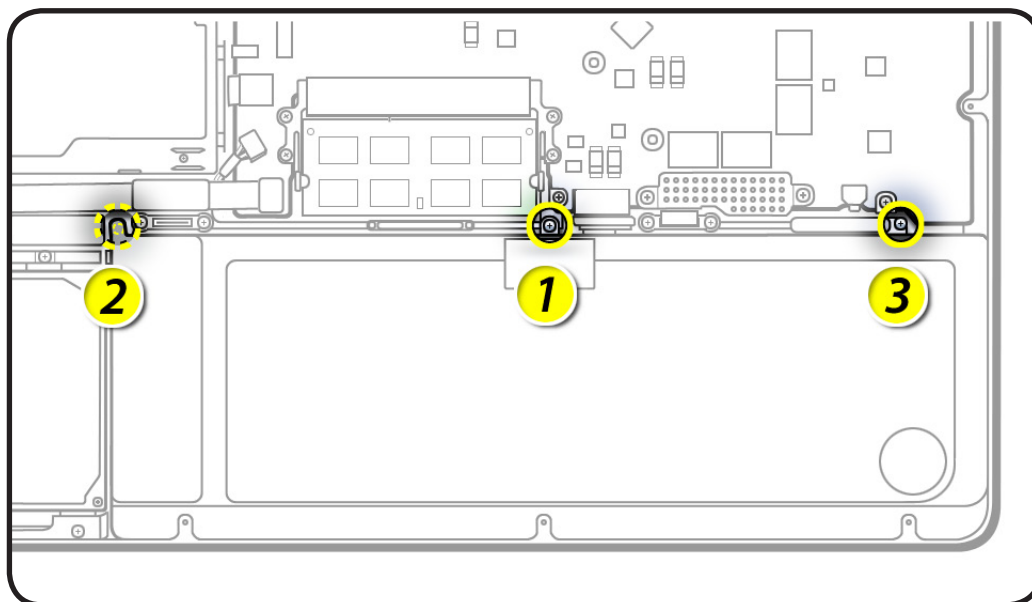
- 3 Using a black stick, pry cable from logic board connector.



## Replacement

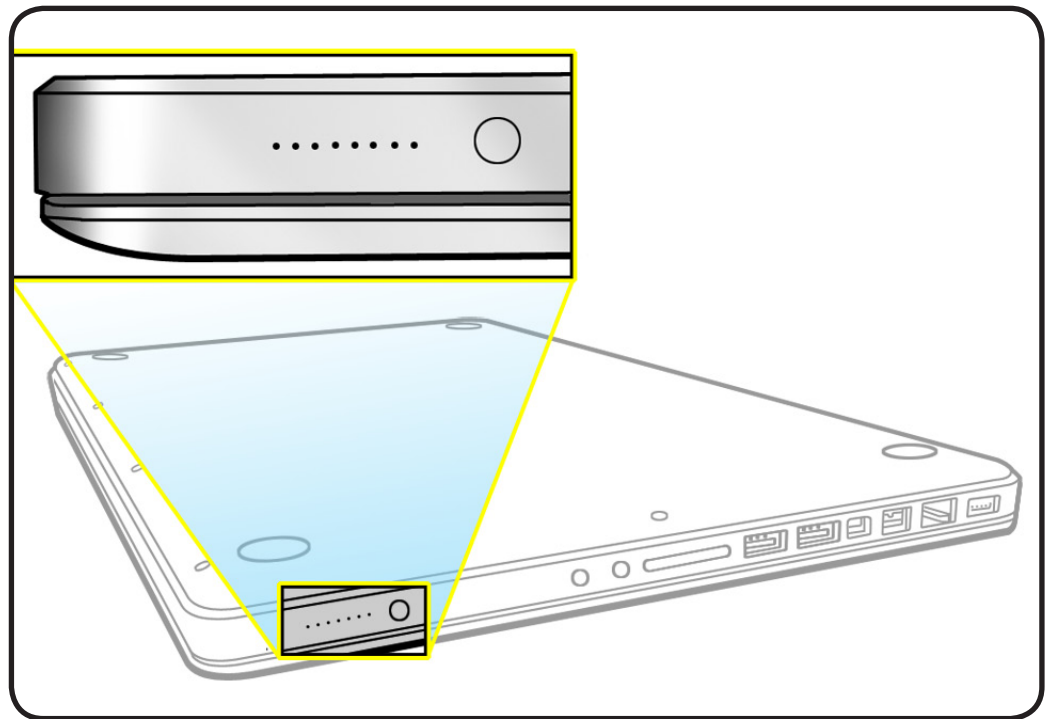
- 1 Slide front edge of battery under 3 tabs.
- 2 Connect battery cable and install 3 security screws in order shown.

**Note:** If installing a new battery, attach the new battery label (refer to battery label inbox instructions).





- 3 Press battery indicator light button to check charge level.





# Hard Drive and Bracket

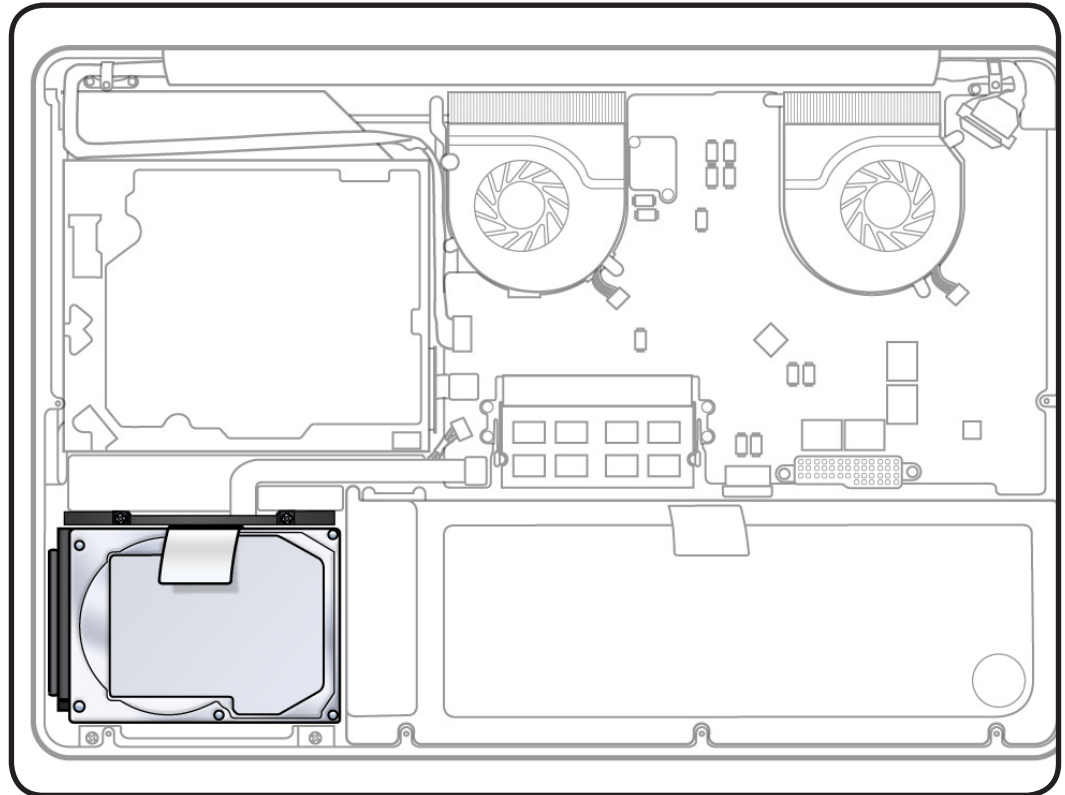
## First Steps

Remove:

- [Bottom case](#)
- [Battery](#)

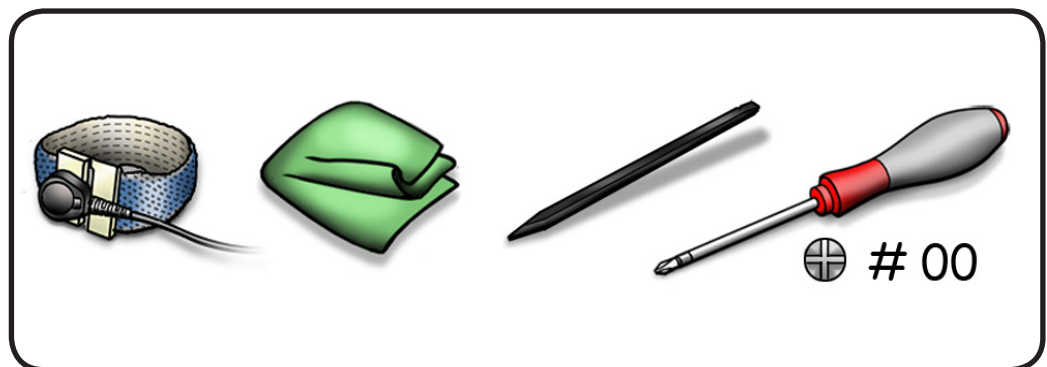


**Caution:** Make sure data is backed up before removing the hard drive.



## Tools

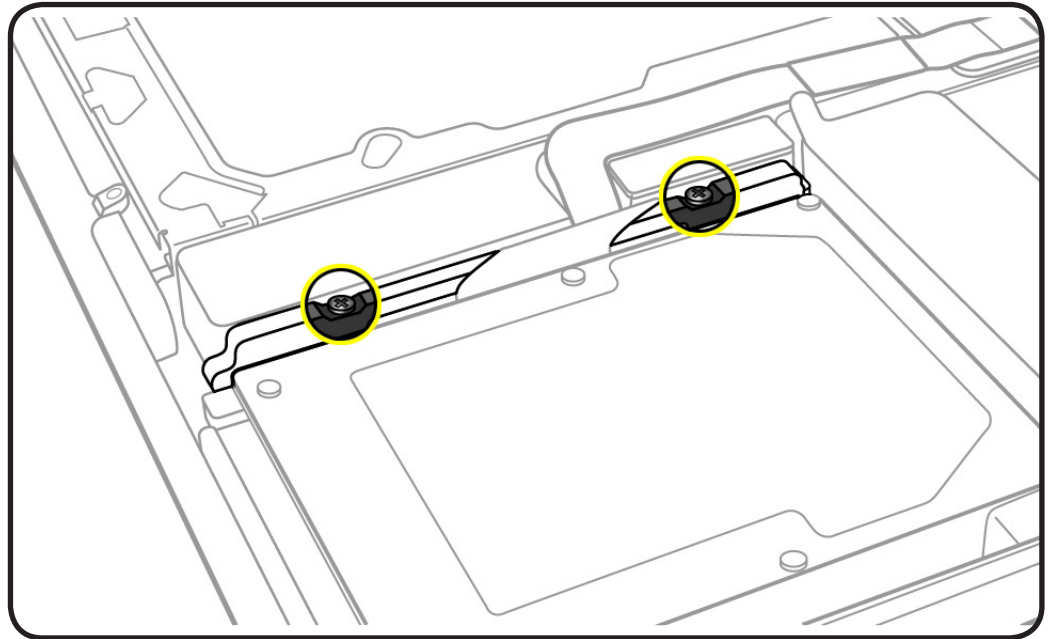
- Clean, soft, lint-free cloth
- ESD wrist strap and mat
- Magnetized Phillips #00 screwdriver





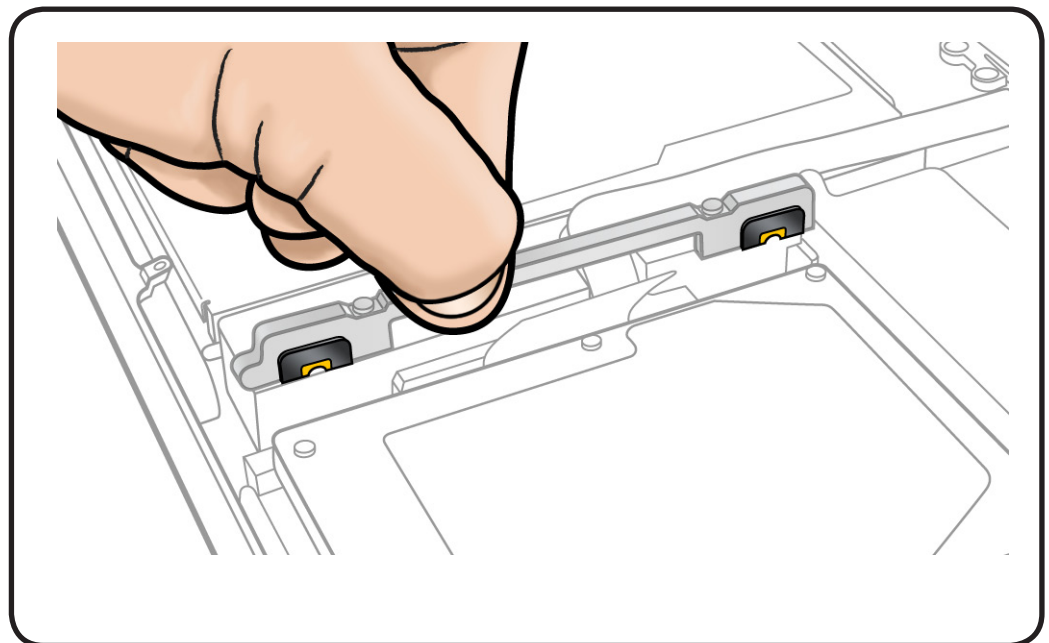
## Removal

- 1 Loosen 2 captive screws to remove bracket.



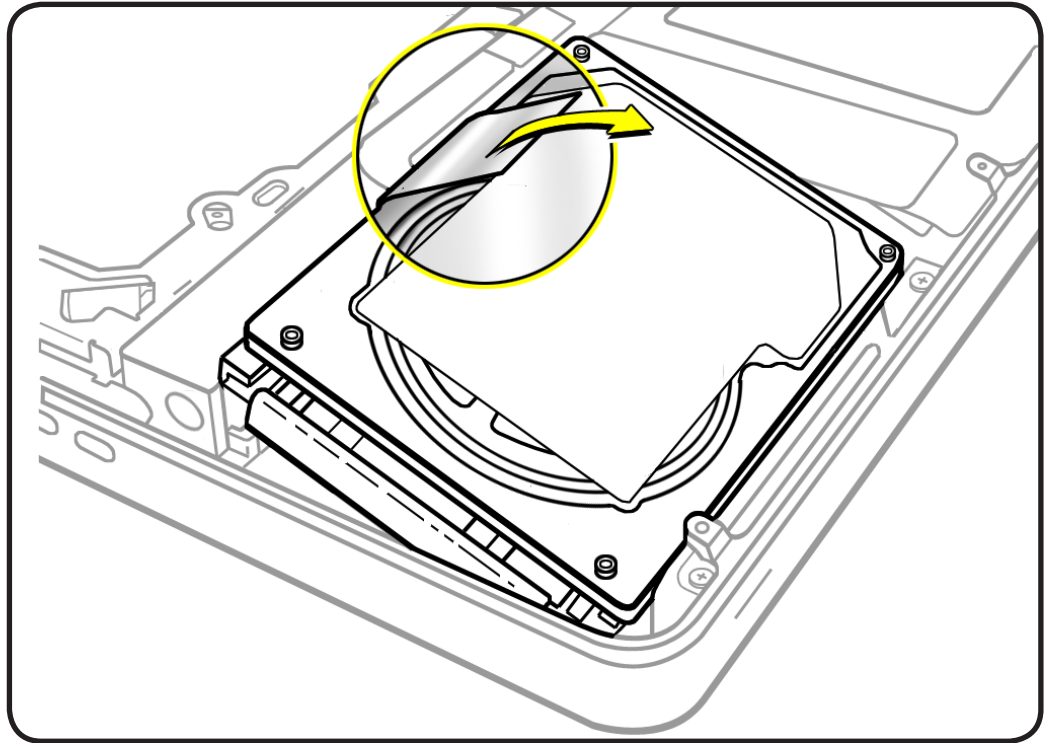
- 2 Lift out bracket.

**Replacement Note:** Make sure 2 rubber grommets are included in bracket before installing it.



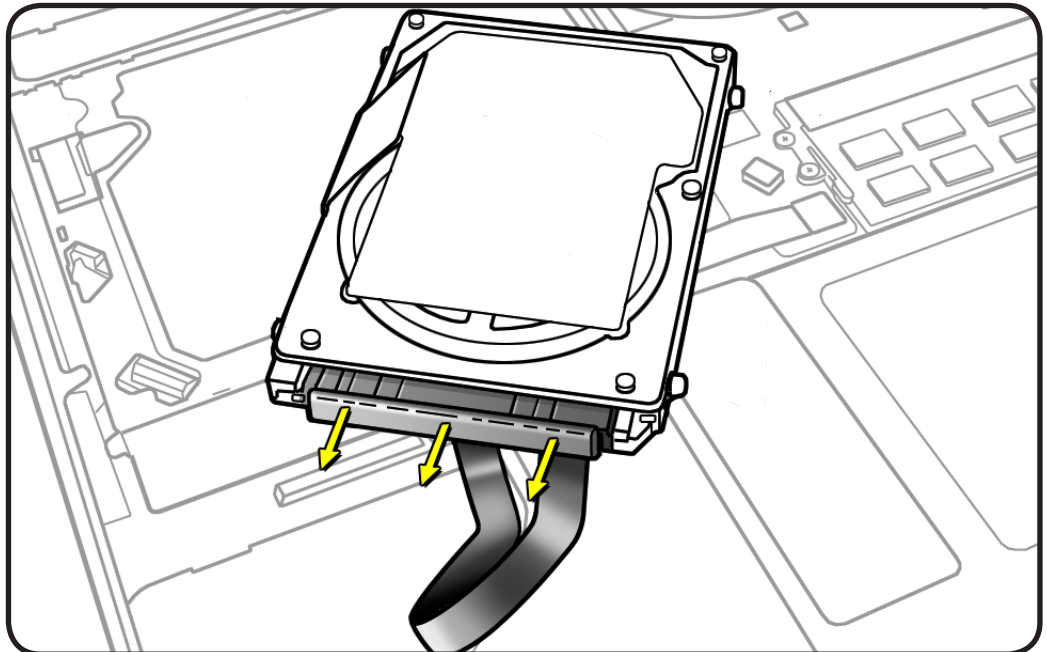


- 3** Use pull tab to tilt hard drive out.



- 4** Hold hard drive by the sides only.

- 5** Disconnect hard drive connector.



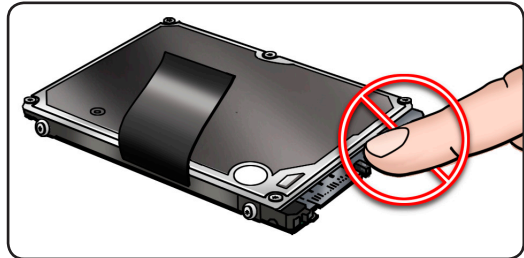


**6** Follow safe handling:

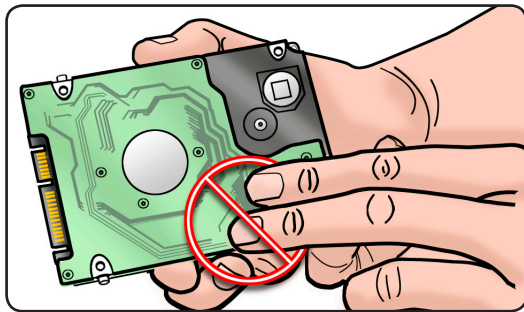
- Do not press drive



- Do not touch connector



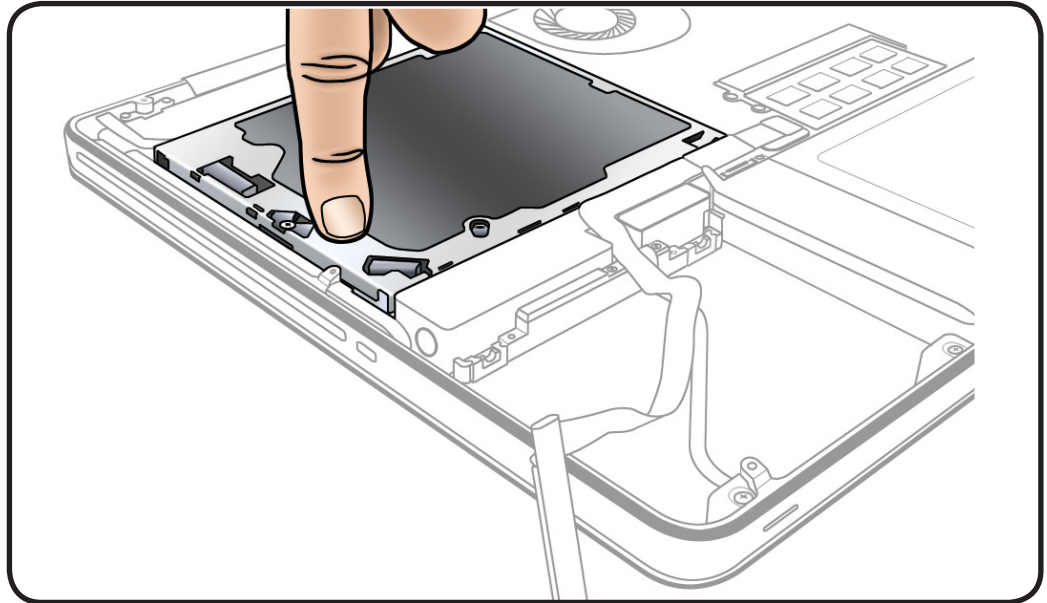
- Do not touch circuitry





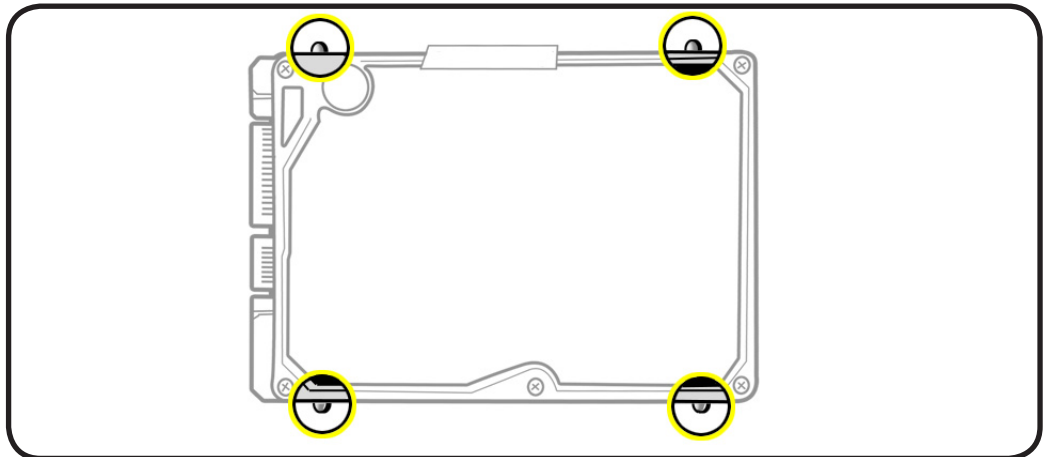
## Replacement

- 1 Touch a metal surface to discharge static electricity.



- 2 Make sure 4 Torx T6 mounting screws are installed on the drive.

If your replacement drive does not have mounting screws, transfer them from the old drive.

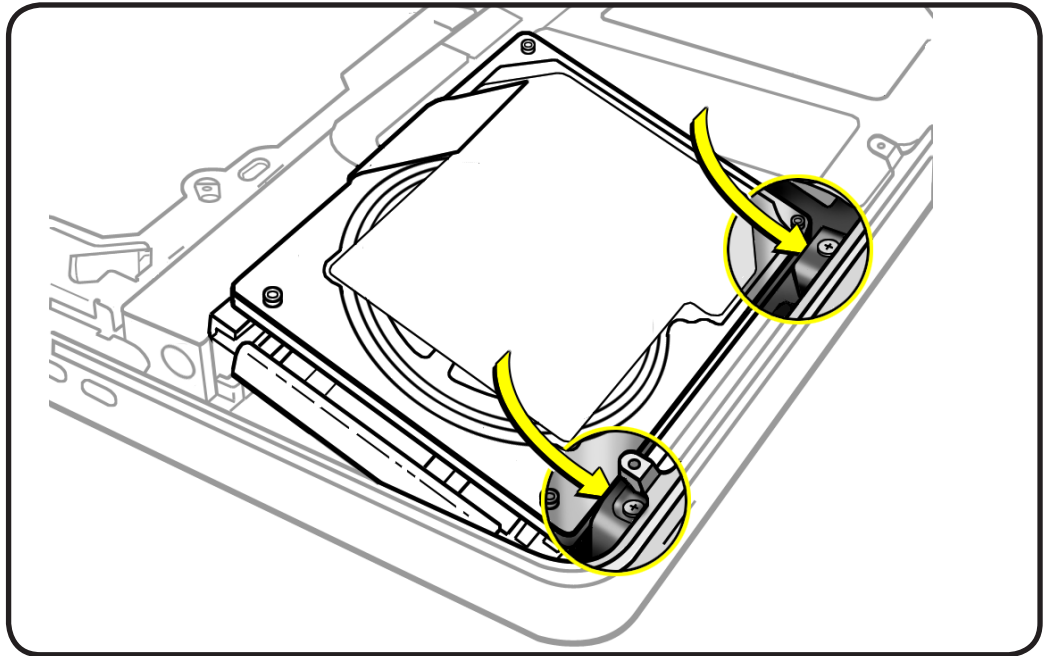






**3** Attach connector and insert hard drive at an angle making sure mounting screws are inserted into front bracket.

**4** Replace bracket with and tighten 2 captive screws.





## Reinstalling Software that Came with the Computer

Use the software install discs that came with the computer to reinstall Mac OS X and any applications that came with the computer. Choose either “Archive and Install,” which saves the existing files and settings, or “Erase and Install,” which erases all the data.

**Important:** Apple recommends backing up data on the hard disk before restoring software. Because the “Erase and Install” option erases the hard disk, you should back up essential files before installing Mac OS X and other applications. Apple is not responsible for any lost data.

## Installing Mac OS X

To install Mac OS X, follow these steps:

1. Back up essential files.
2. Make sure power adapter is connected and plugged in.
3. Insert the Mac OS X Install DVD that came with the computer.
4. Double-click Install Mac OS X.
5. Follow the onscreen instructions.

**Note:** To restore Mac OS X on the computer to the original factory settings, click Options in the “Select a Destination” pane of the Installer, and then select “Erase and Install.” If you choose “Erase and Install,” you will see a message reminding you to use the Applications Install DVD to reinstall the bundled applications that came with the computer.

6. When the installation is complete, click Restart.
7. Follow the prompts in the Setup Assistant to set up the user account.

## Installing Applications

If you reinstall Mac OS X on the computer and select the “Erase and Install” option, you must reinstall the applications that came with the computer, such as the iLife applications.

To install applications that came with the computer, follow these steps:

1. Make sure power adapter is connected and plugged in.
2. Insert the Applications Install DVD that came with the computer.
3. Double-click Install Bundled Software.
4. Follow the onscreen instructions.
5. When the installation is complete, click Close.



# Hard Drive/IR/Sleep Indicator Cable

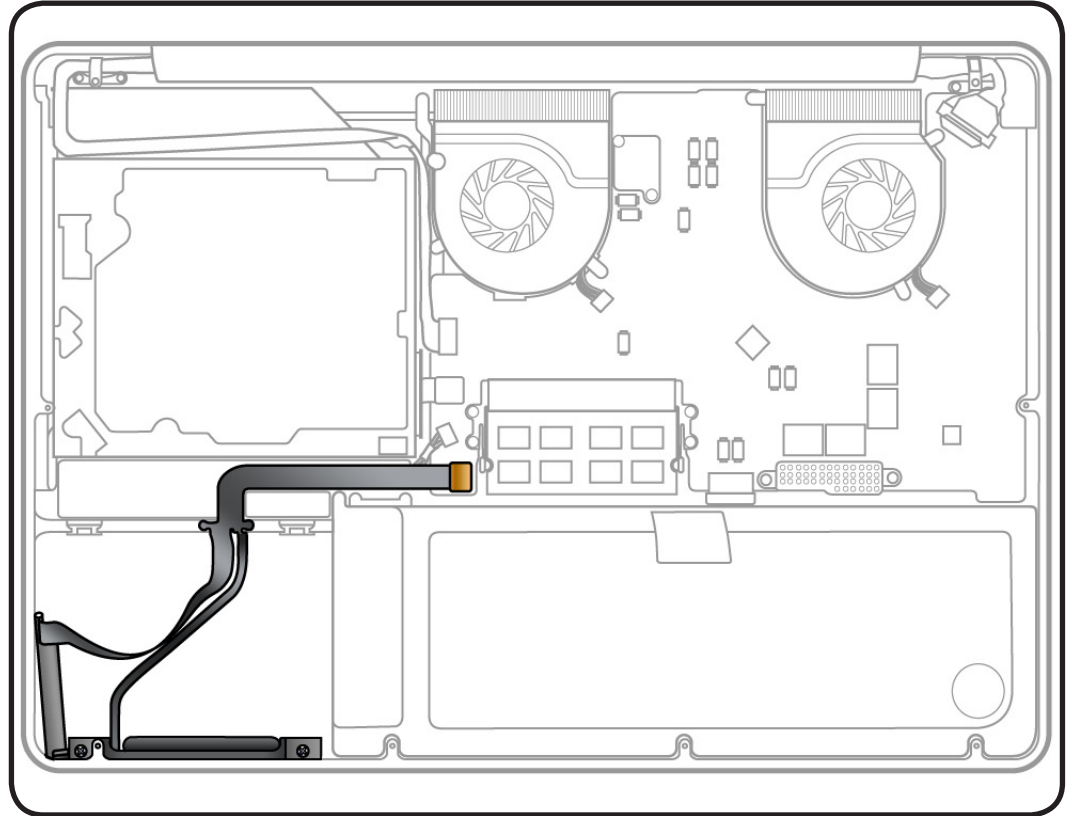
## First Steps

Remove:

- [Bottom case](#)
- [Battery](#)
- [Hard drive](#)

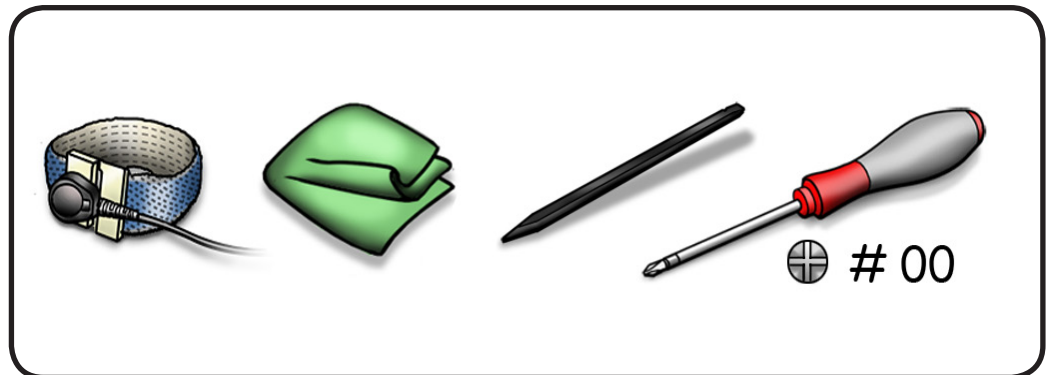


**Caution:** Make sure data is backed up before removing the hard drive.



## Tools

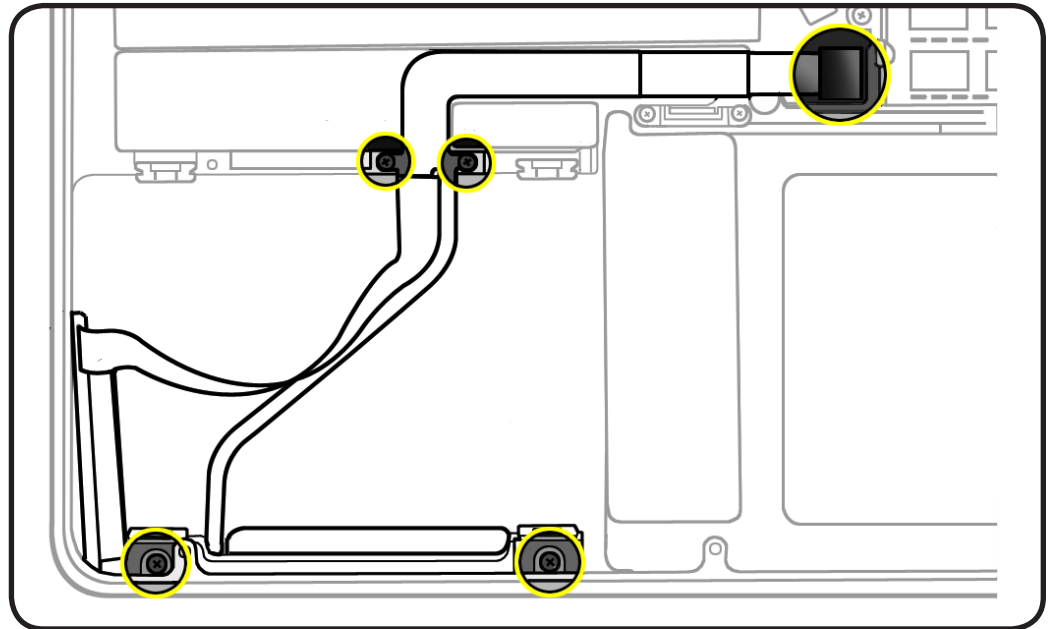
- Clean, soft, lint-free cloth
- ESD wrist strap and mat
- Black stick
- Magnetized Phillips #00 screwdriver





## Removal

- 1 Caution:** The cable is fragile, be careful when disconnecting and removing the cable.
- 2** Use black stick to disconnect cable from connector on logic board and carefully pry cable from top of speaker.
- 3** Remove 4 screws:
  - 2 (3.0-mm) 922-9036 on cable
  - 2 (9.5-mm) 922-9105 on lower bracket
- 4** Carefully peel up cable from top case.



## Replacement

- 1** Press cable so it lays flat in top case.
- 2** Make sure rubber gaskets are installed on front bracket before installing 2 (9.5-mm) screws.



# Memory

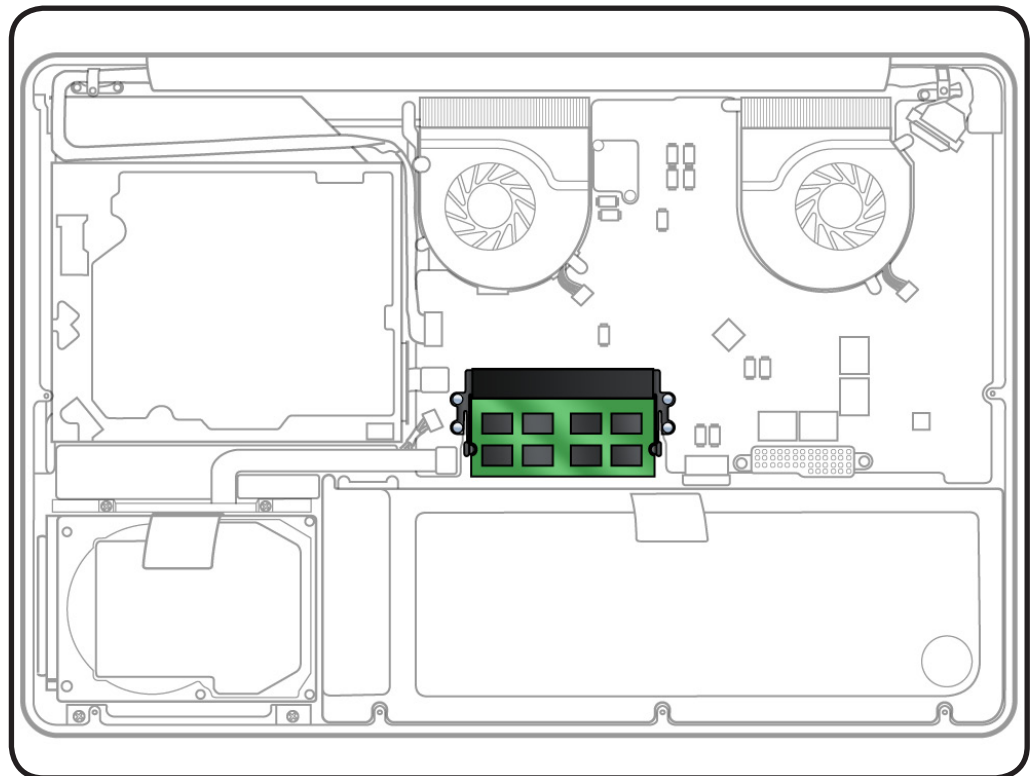
## First Steps

Remove:

- [Bottom case](#)
- [Battery](#)

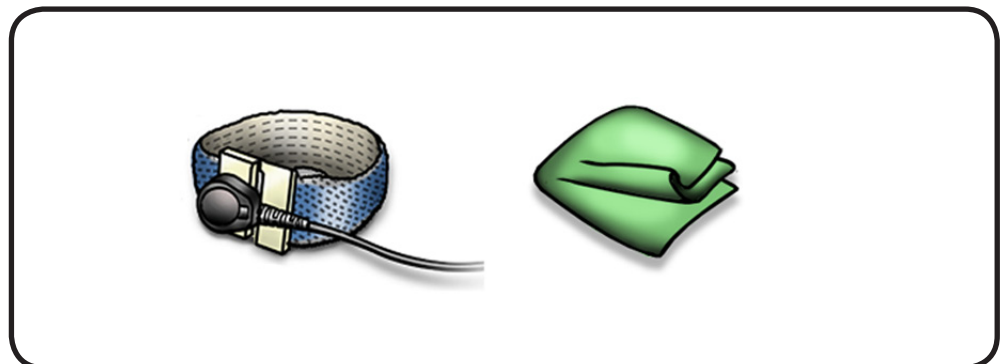


**Caution:** Avoid touching anything other than the memory area.



## Tools

- Clean, soft, lint-free cloth
- ESD wrist strap and mat





## Memory Information

Memory cards must be:

- 1.18 inch (30 mm)
- 2 GB or 4 GB
- 204-pin
- PC-8500 DDR3, 1066 MHz RAM

This computer comes with a minimum of 4 GB of 1066 MHz Double Data Rate (DDR3) Synchronous Dynamic Random-Access Memory (SDRAM) installed. Both memory slots can accept an SDRAM module that meets the specifications listed. The slots are stacked on the logic board under the bottom case. For best performance, memory should be installed as pairs with an equal memory card in each slot. The maximum amount of memory for this computer is 8 GB, with a 4 GB DIMM installed in each slot.

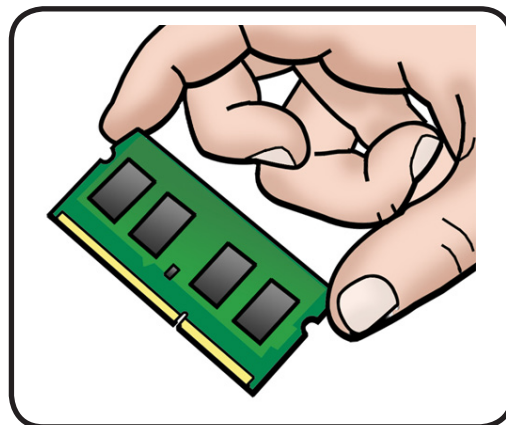
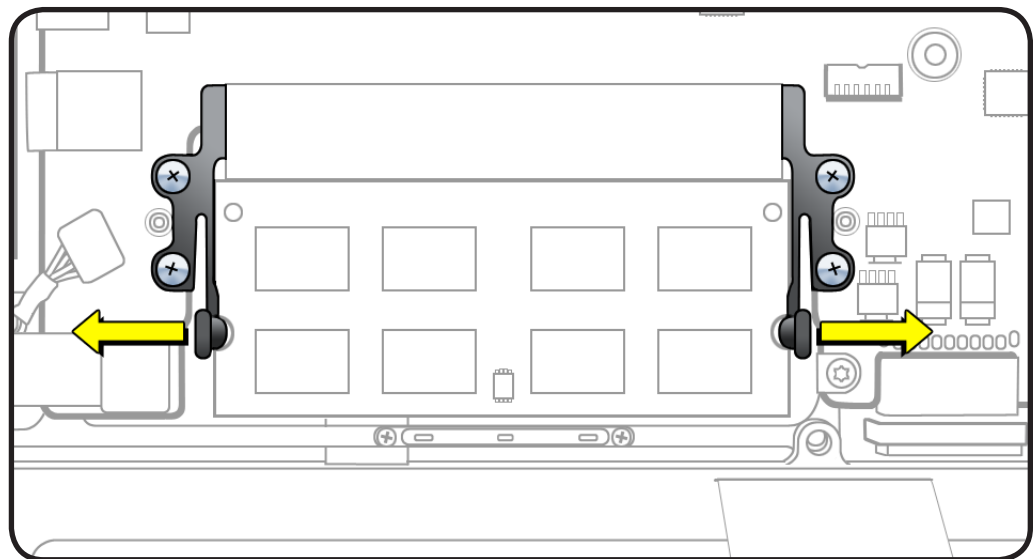
## Removal

- 1 Push 2 ejection levers outward until the memory pops up at an angle.

Make sure you see the half-circle notches on the memory card. If not, press the ejection levers again.



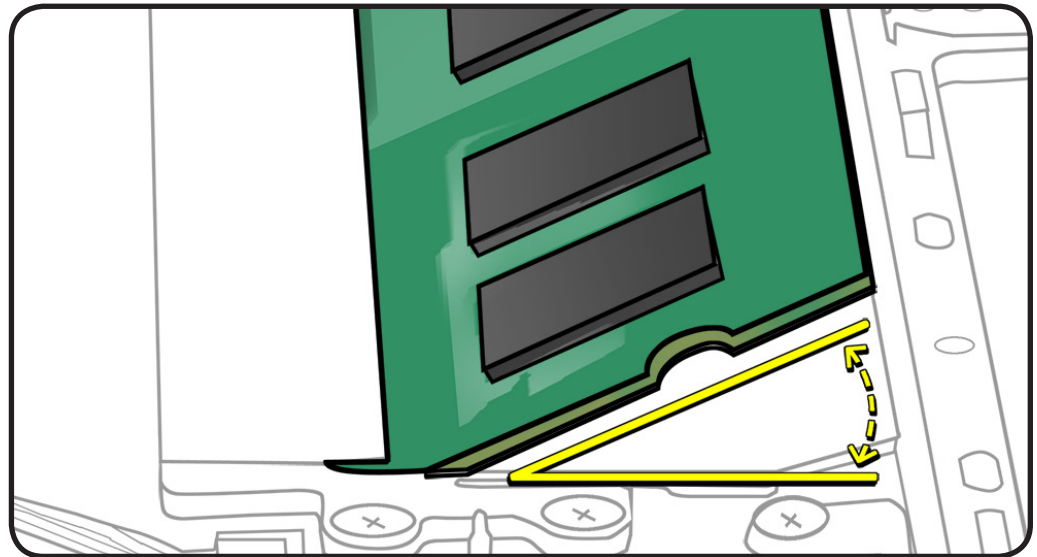
- 2 Remove memory card from the slot.
- 3 Hold the card by the edges.
- 4 Do not touch the gold connectors.





## Replacement

- 1** Install cards at an angle. If installing just one card, install it in lower slot.
- 2** Press card down. You will hear a click when inserted correctly.
- 3** If you installed additional memory, check that the computer recognizes it.





# Bluetooth Card With Holder

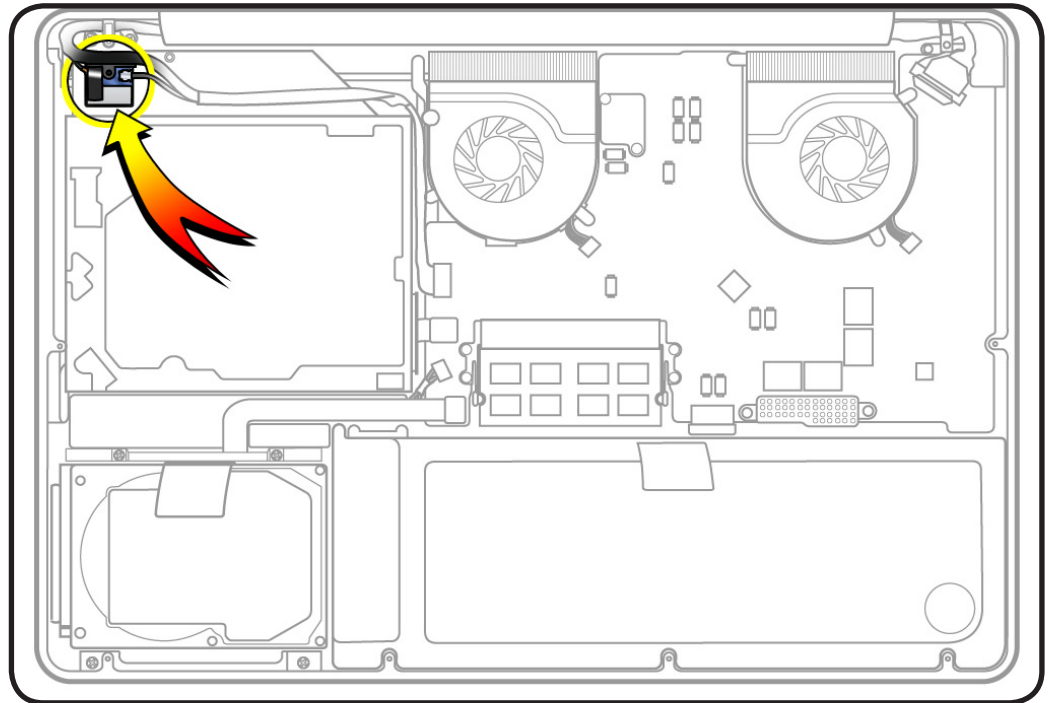
**Note:** This procedure applies only to anti-glare display models.

## First Steps

Remove:

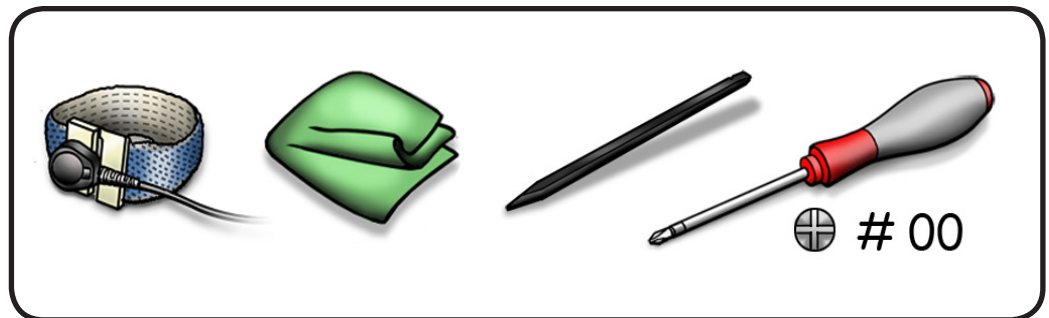
- [Bottom case](#)
- [Battery](#)

**Note:** This procedure applies only to anti-glare display models



## Tools

- Clean, soft, lint-free cloth
- ESD wrist strap and mat
- Magnetized Phillips #00 screwdriver
- Black stick

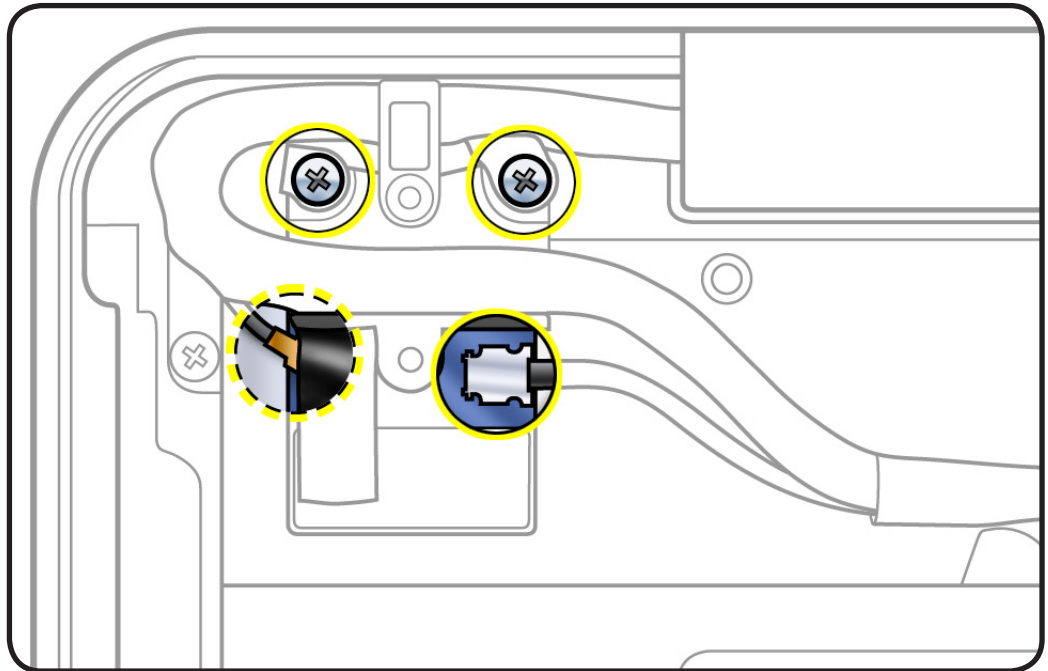




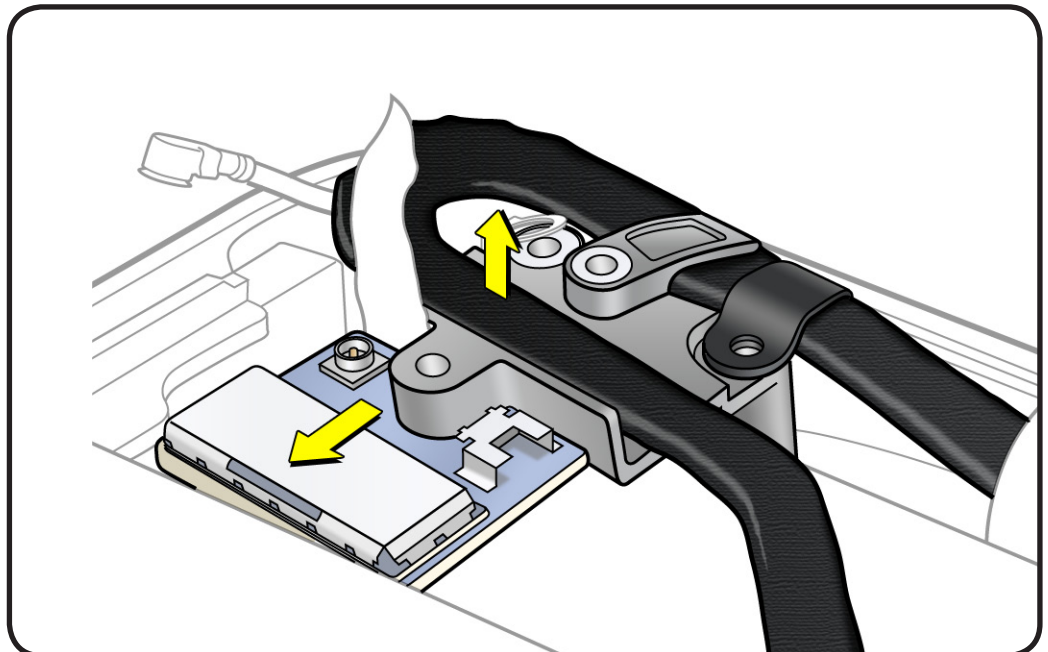


## Removal

- 1 Disconnect 2 screws.
- 2 Peel up mylar cover, and disconnect 2 cables:



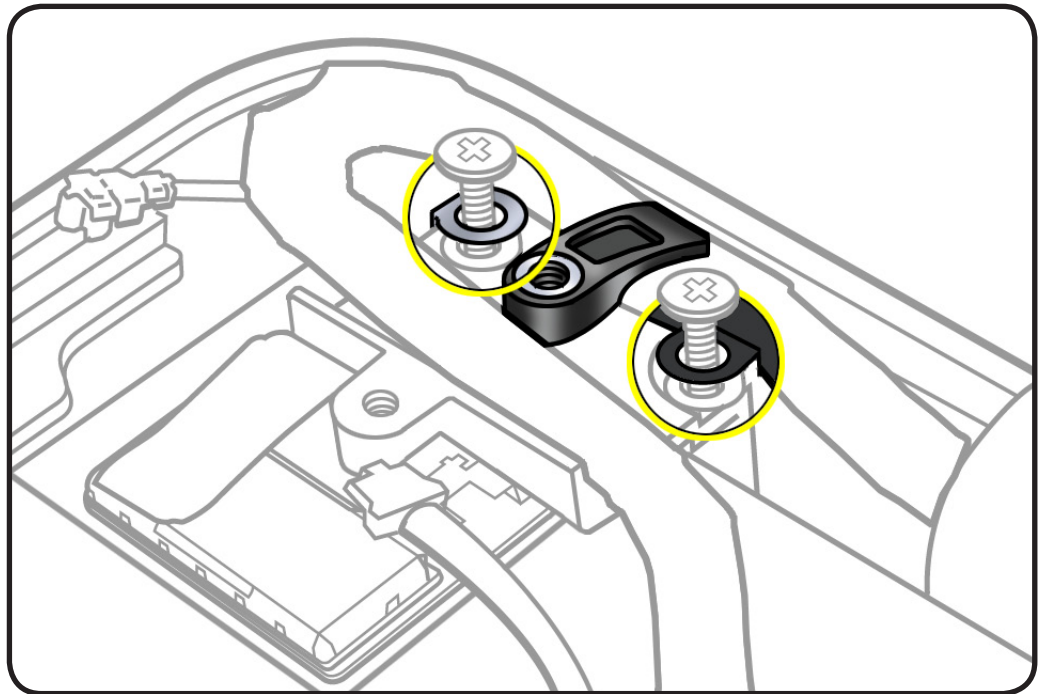
- 3 Using black stick, pry camera cable off Bluetooth card holder.
- 4 Slide Bluetooth holder and card from underneath camera cable and remove assembly from computer.





**Replacement Note:** Install Bluetooth holder on optical drive as illustrated. Check that

- holder slides under camera cable
- holder's clamp secures camera cable
- screw holes align
- grommets are positioned on top of holder's screw holes





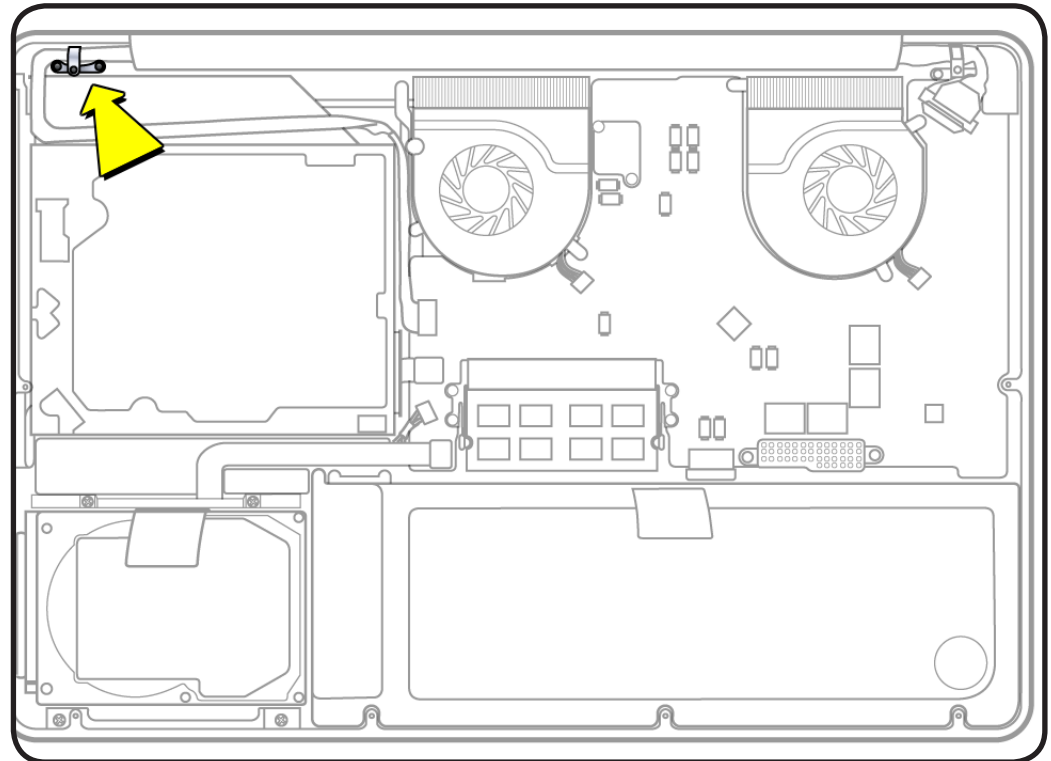
# Camera Cable Guide

**Note:** This procedure does not apply to anti-glare models with the Bluetooth card option. The camera cable guide on these models is built into the [Bluetooth card holder](#).

## First Steps

Remove:

- [Bottom case](#)
- [Battery](#)



## Tools

- Clean, soft, lint-free cloth
- ESD wrist strap and mat
- Magnetized Phillips #00 screwdriver

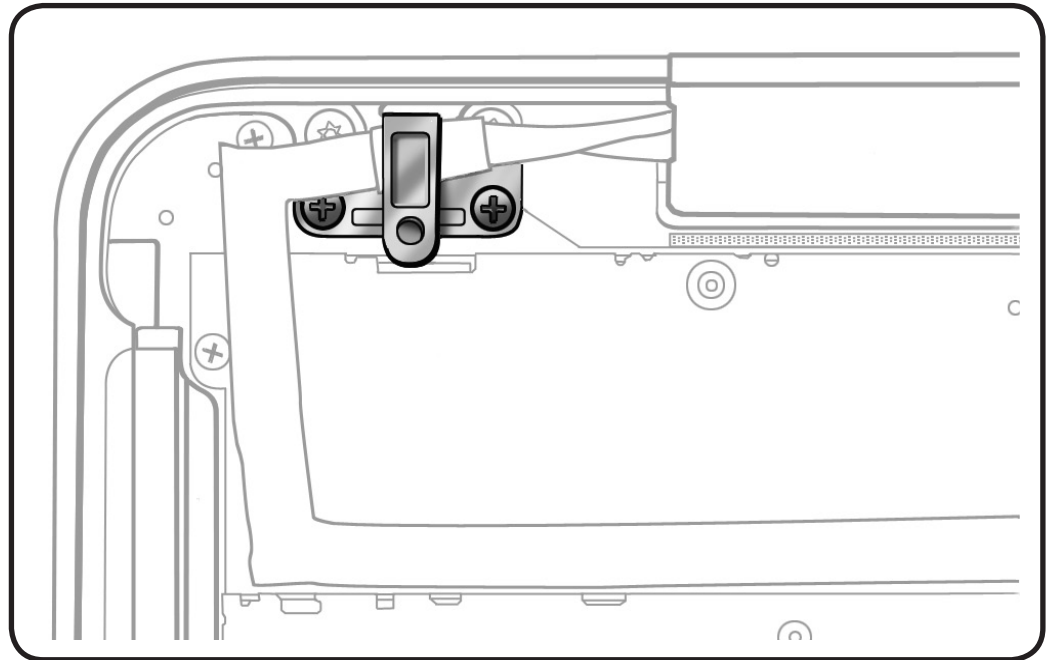




## Removal

- 1 Remove 2 (8-mm) screws (922-9107).
- 2 Remove cable guide from the top case.

**Replacement Note:** Be sure to anchor the ground tab when reinstalling the screw closest to the display clutch cover.



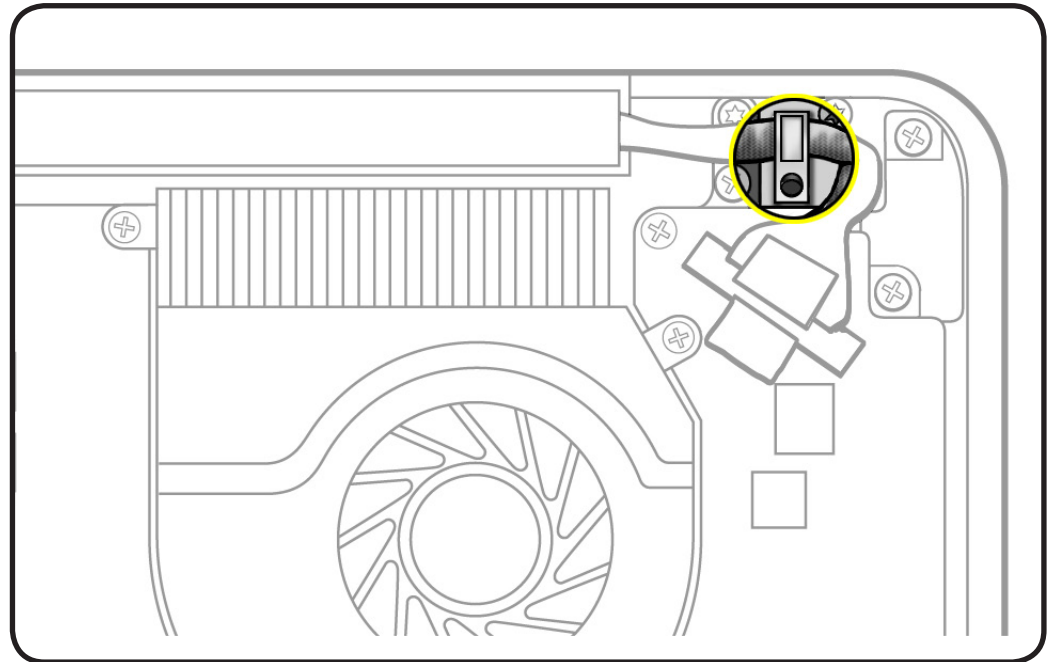


# LVDS Cable Guide

## First Steps

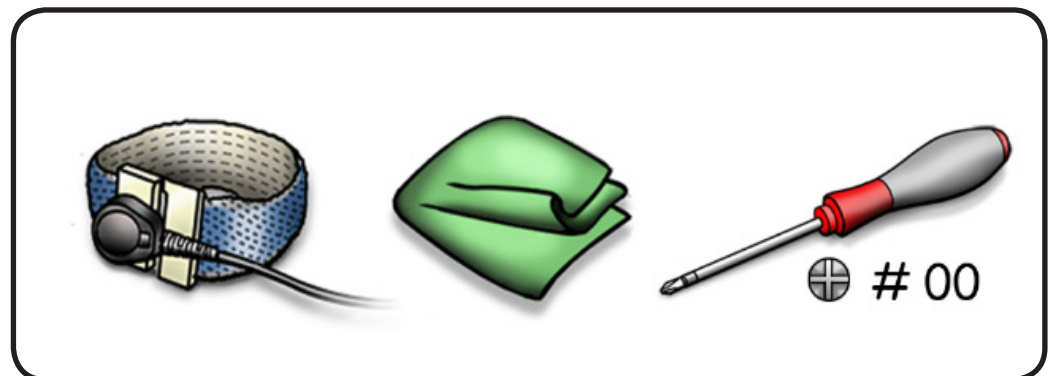
Remove:

- [Bottom case](#)
- [Battery](#)



## Tools

- Clean, soft, lint-free cloth
- ESD wrist strap and mat
- Magnetized Phillips #00 screwdriver

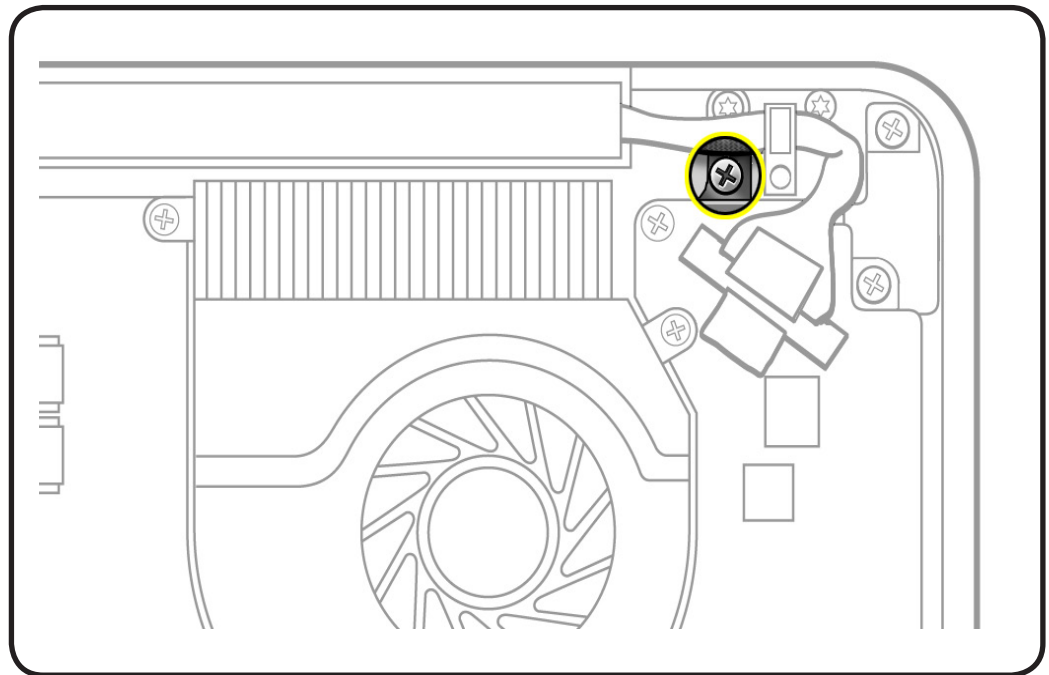




## Removal

- 1 Remove 1 (7-mm) screw (922-8645).

**Replacement Note:** Be sure to anchor the ground tab when reinstalling the screw.





# Display Assembly

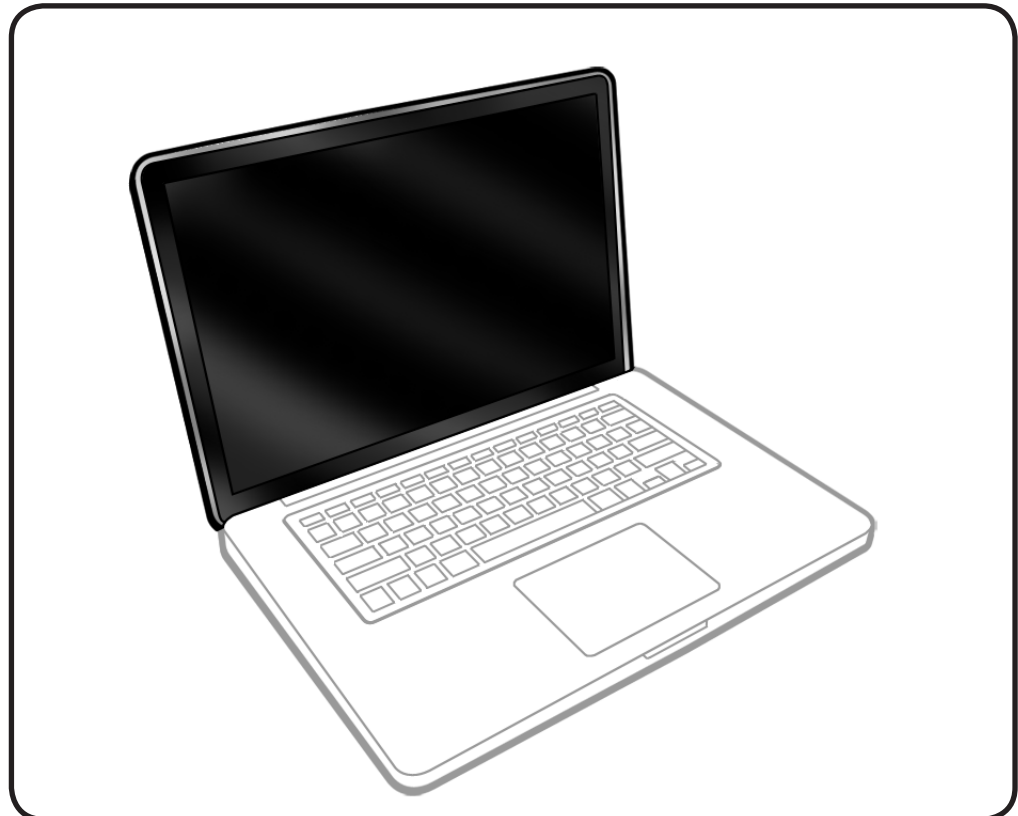
## First Steps

Remove:

- [Bottom case](#)
- [Battery](#)
- [Camera cable guide](#)
- [LVDS cable guide](#)

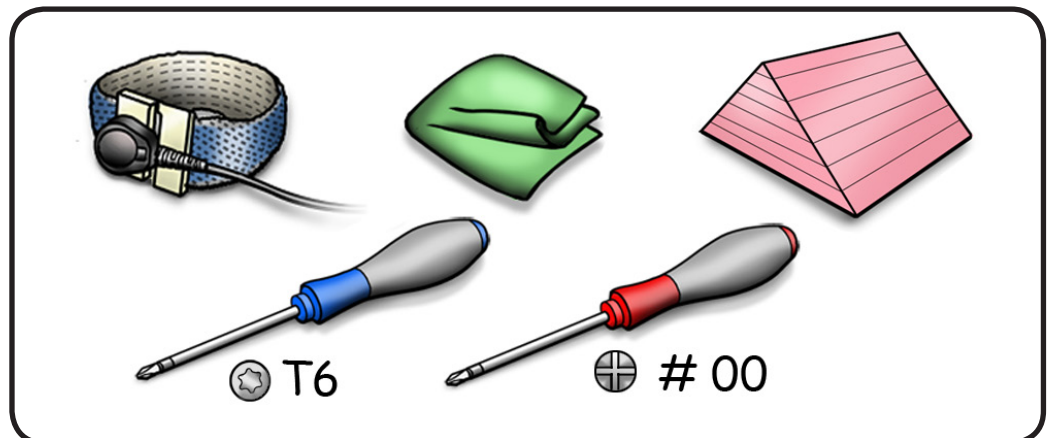
**Note:** There are two display assemblies for this product. Refer to Basics/ General Information/ Display Panels topic for information.

Systems with antiglare displays have a Bluetooth card and antenna in the top left corner of optical drive. See step 4.



## Tools

- Clean, soft, lint-free cloth
- ESD wrist strap and mat
- Magnetized Phillips #00 screwdriver
- Torx T6 screwdriver
- Foam wedge fixture



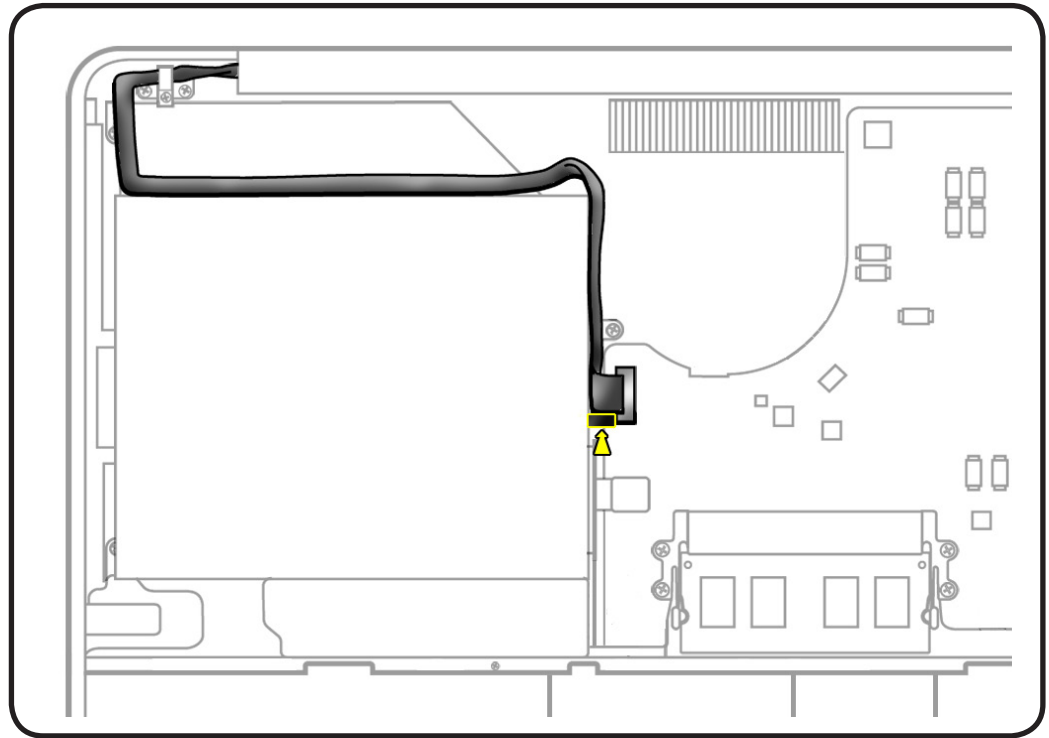


## Removal

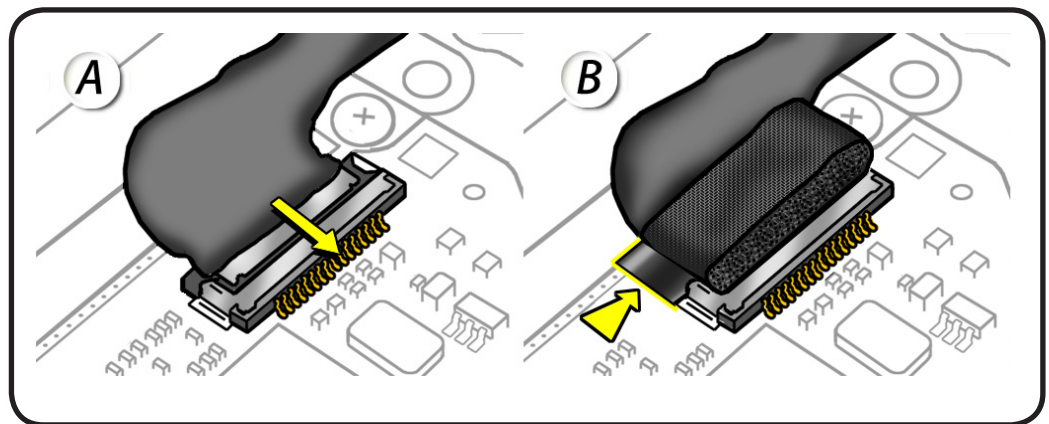
- 1 Locate camera cable shim. Using a black stick, carefully pry shim off the board and set it aside.

**Note:** If you don't remove the shim prior to disconnecting the cable, you could damage the cable pins or logic board connector.

**Replacement Note:** Be sure to replace the shim after you reconnect the cable. Otherwise, the cable could work loose, resulting in no video.



- 2 Peel EMI gasket off camera cable connector (A).
- 3 Disconnect camera cable from logic board (B). Pull cable on same horizontal plane as the logic board.

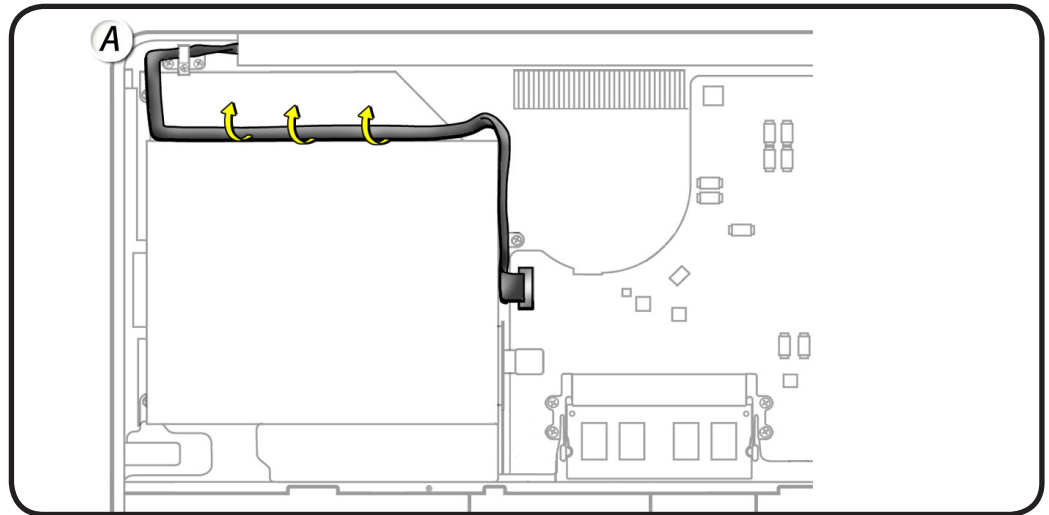






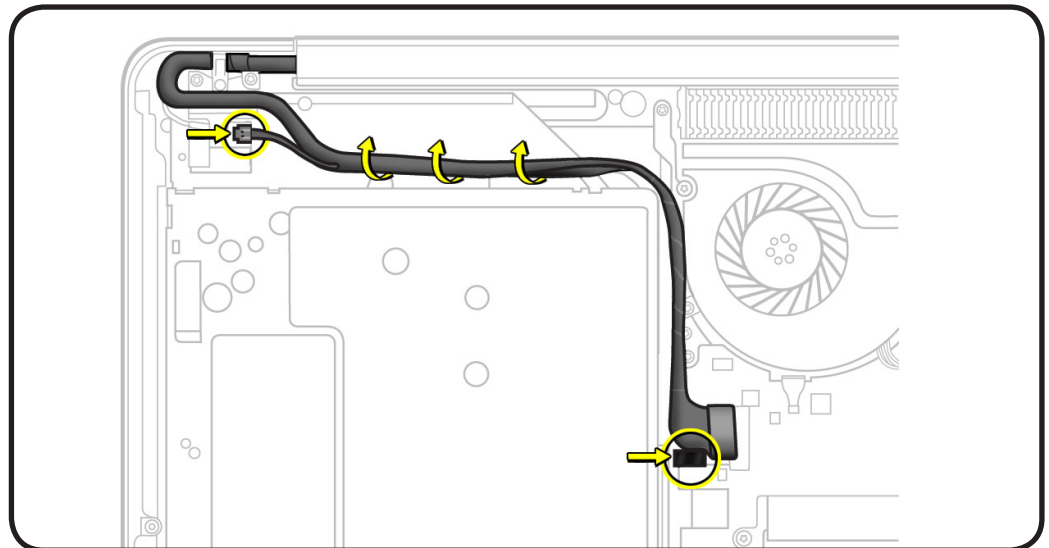
**4** Peel and lift cable off optical drive:

- Glossy displays (A)



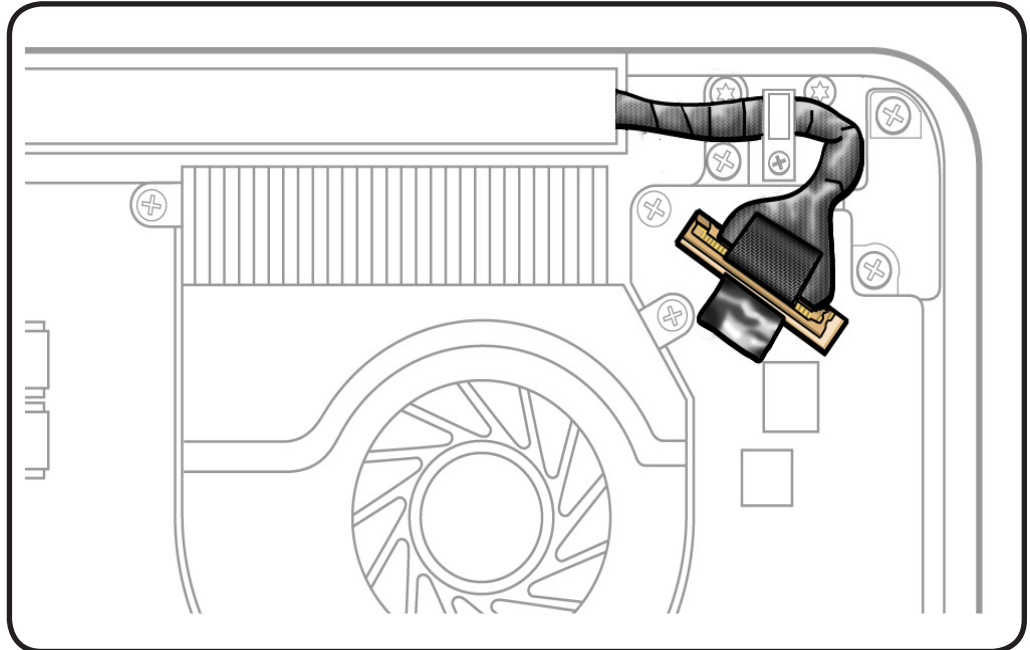
- Anti-glare displays (B)

Disconnect cable from Bluetooth card and peel up cable.

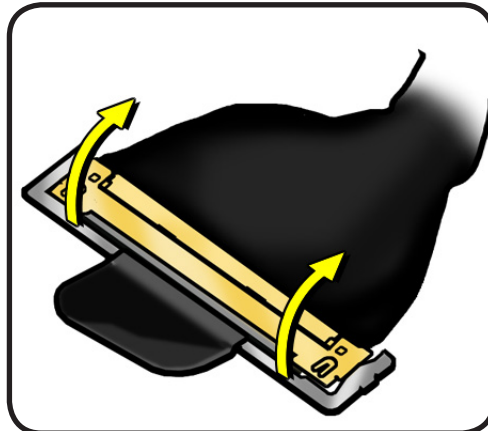




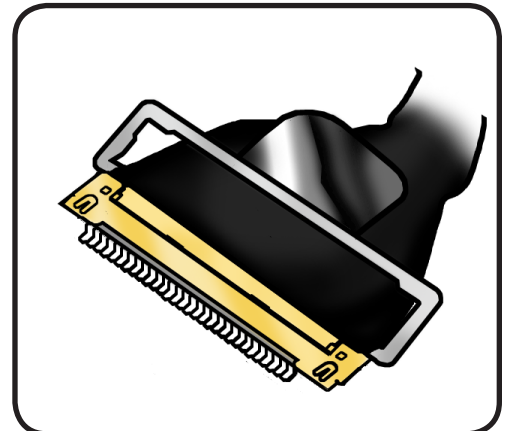
**Caution:** Do not pull on the black tab or the LVDS lock bar. Pulling on the tab to remove the LVDS cable will likely result in the metal LVDS lock bar being torn off the cable body. This bar is only to be used to disengage the lock from the LVDS connector. A broken lock bar results in a display assembly replacement.



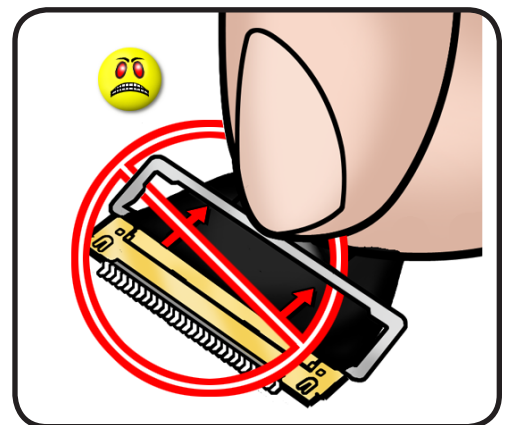
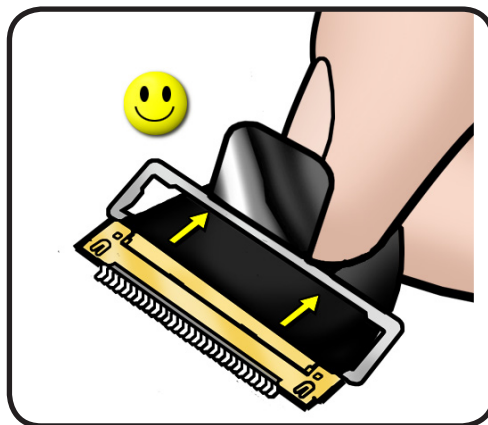
**5** Peel EMI gasket off top of LVDS cable, toward the fan



**6** To disconnect LVDS cable grasp black tab and gently swing LVDS lock bar up and back to unlock the cable.



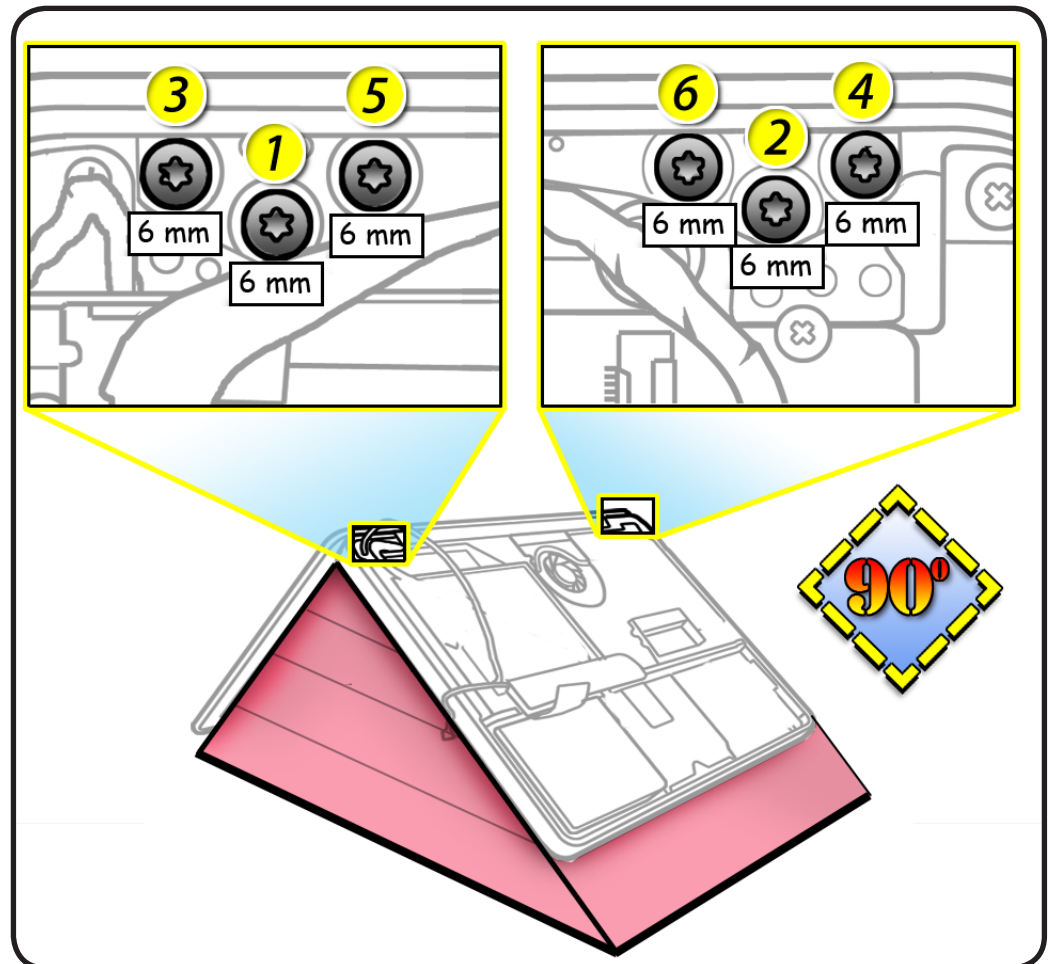
**7** Slide cable out of connector by pulling the cable. Do not pull the black tab or lock bar.





8 Open the display to 90 degrees, and place the computer on the foam wedge service fixture.

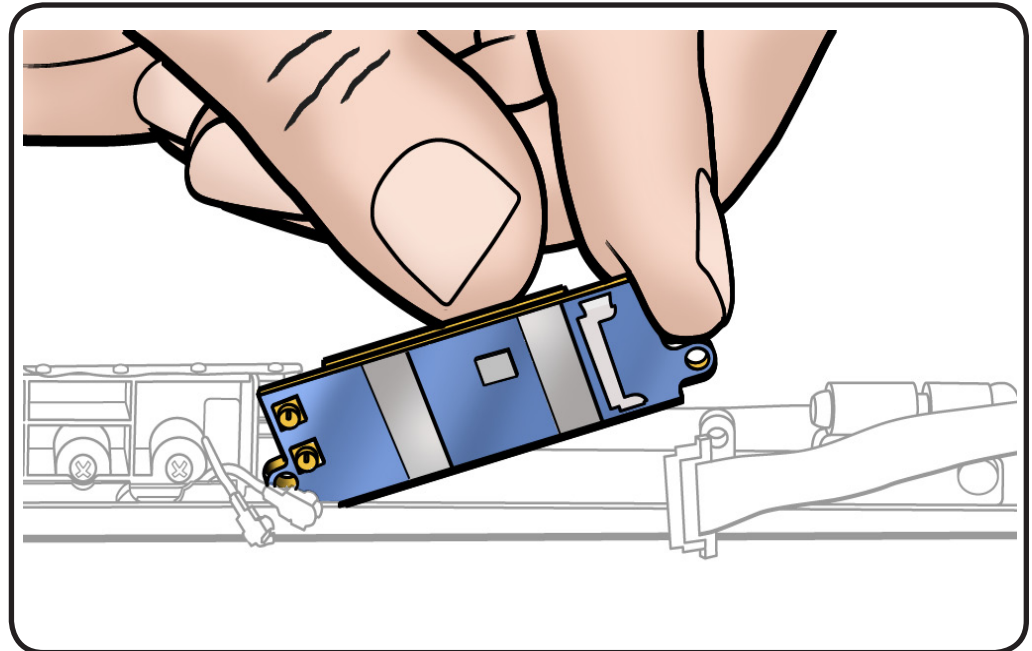
9 Remove 6 (6-mm) Torx 922-8646 screws:



10 Separate display assembly from top case.

## Replacement

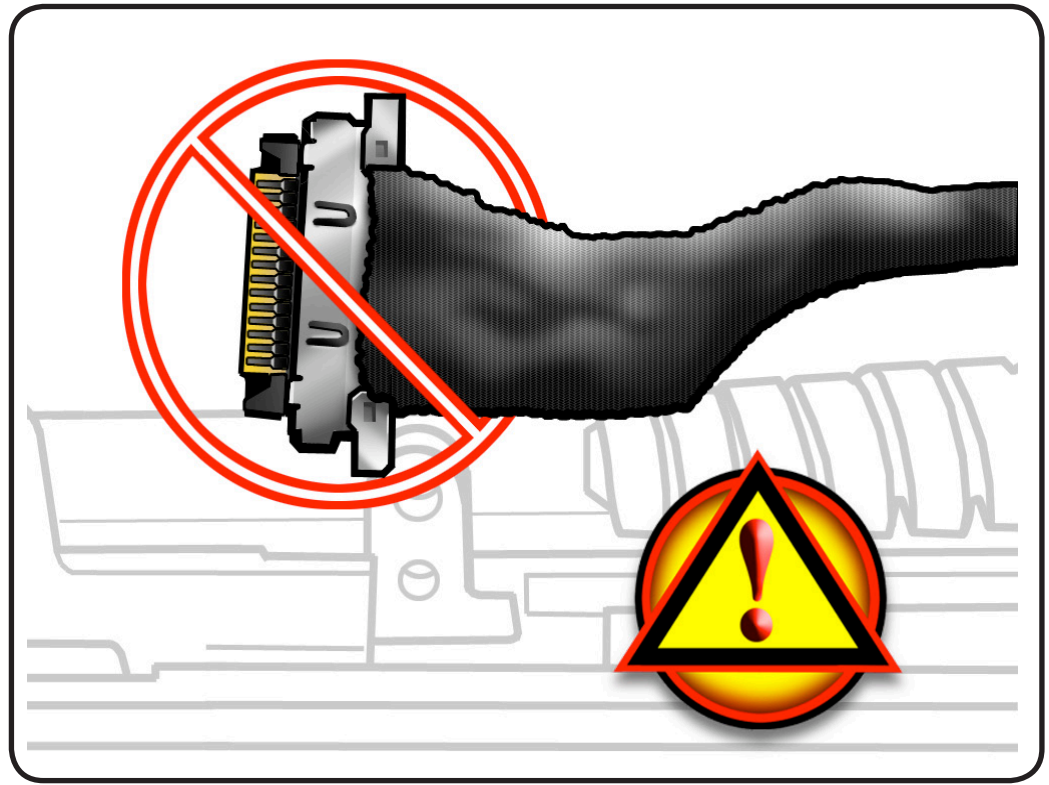
- 1 **Important:** Before you return a display assembly, be sure to
- remove clutch cover
  - remove AirPort Card and transfer it to the new display assembly
  - reinstall clutch cover
  - remove and transfer the protective film from the replacement display to the defective display





**2 Important:** Check the AirPort cable. At the end of the cable, on the metal part, there are two grounding fingers (two U-shaped marks). Orient the grounding fingers so they are facing the AirPort card and are in contact with the AirPort card connector. The grounding fingers should **NOT** be facing you. Inserting the cable incorrectly will cause logic board failure!

With the computer assembled, test the AirPort card for normal operation

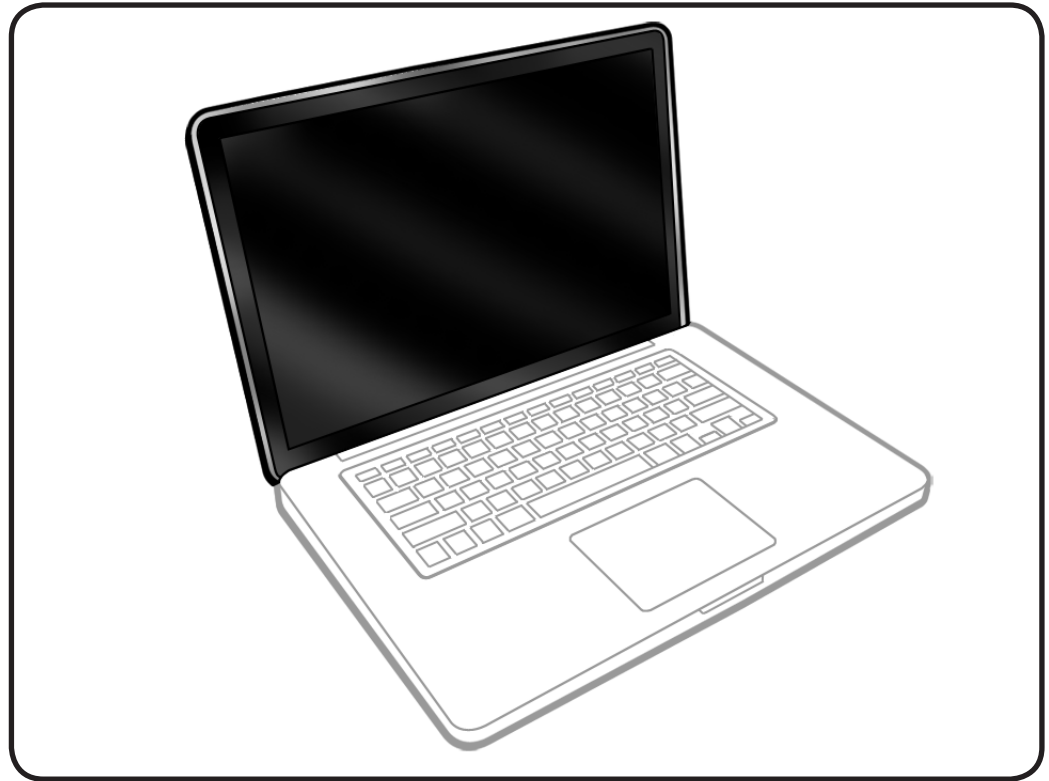




## Display Hinge Behavior

The MacBook Pro models have a unique counterbalanced clutch system. It was designed so that when the display is vertical with respect to the ground, the display will remain in place regardless of the angle of the base.

Moving the display past vertical allows the hinges to release and the display to close. This is normal behavior and no repair is necessary. Refer to <http://support.apple.com/kb/HT3304> for more information and to watch a video of the hinge behavior.



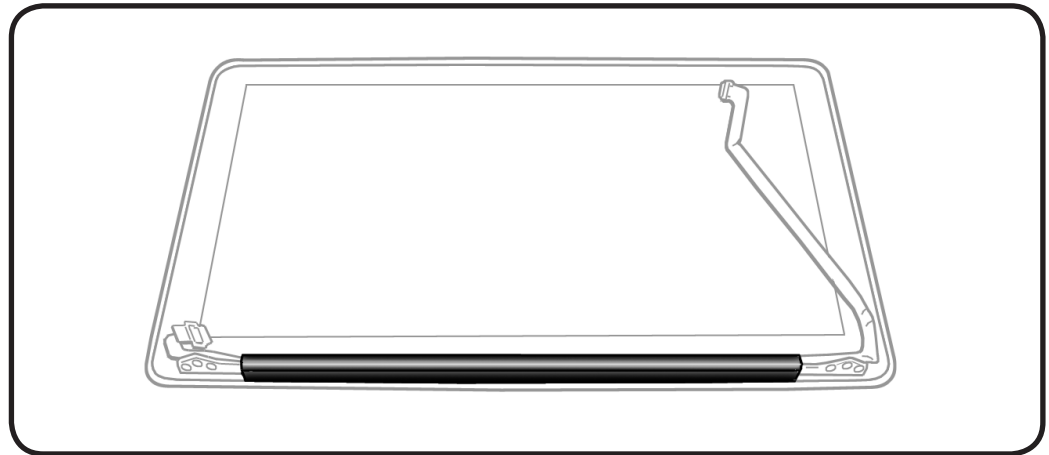


# Display Clutch Cover

## First Steps

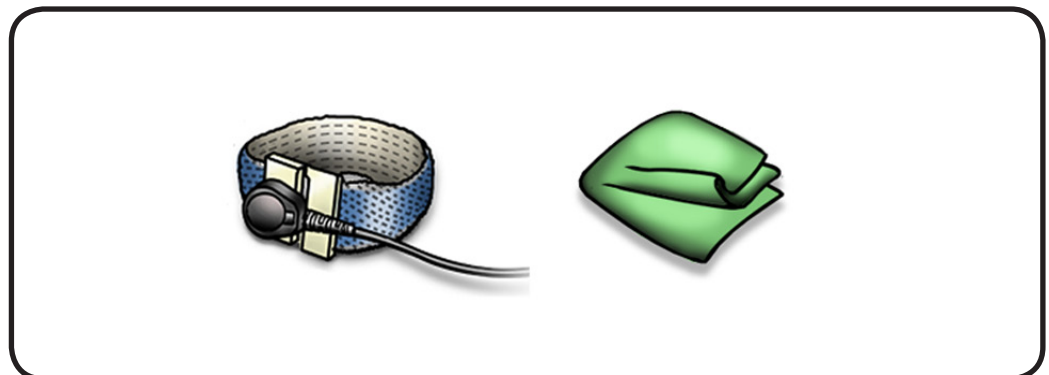
Remove:

- [Bottom case](#)
- [Battery](#)
- [Camera cable guide](#)
- [LVDS cable guide](#)
- [Display assembly](#)



## Tools

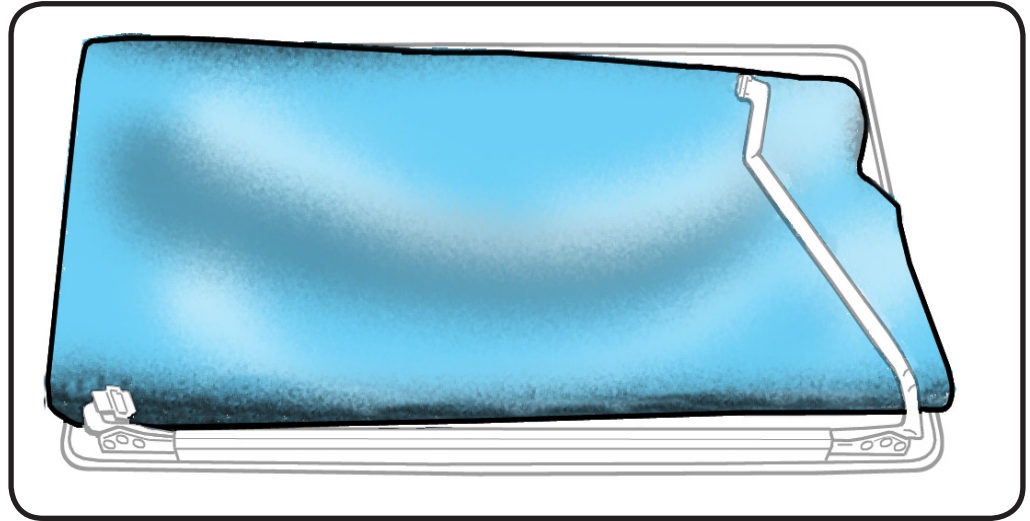
- Clean, soft, lint-free cloth
- ESD wrist strap and mat



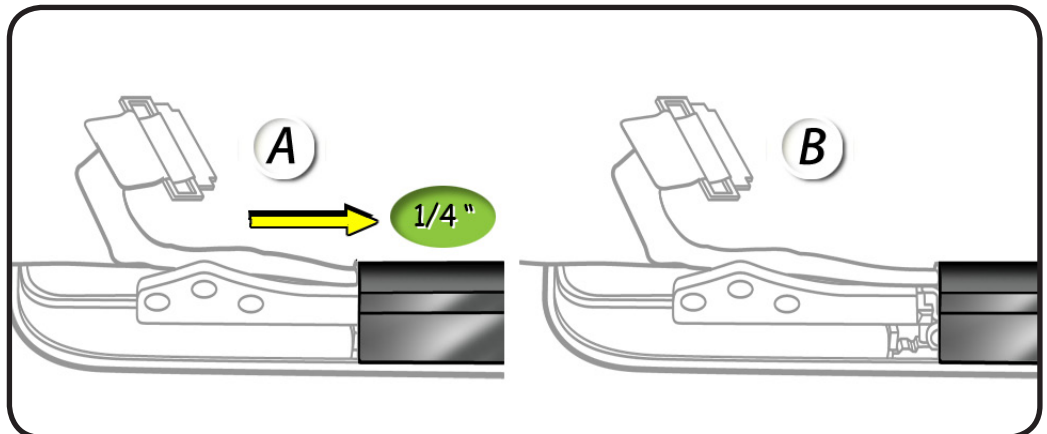


## Removal

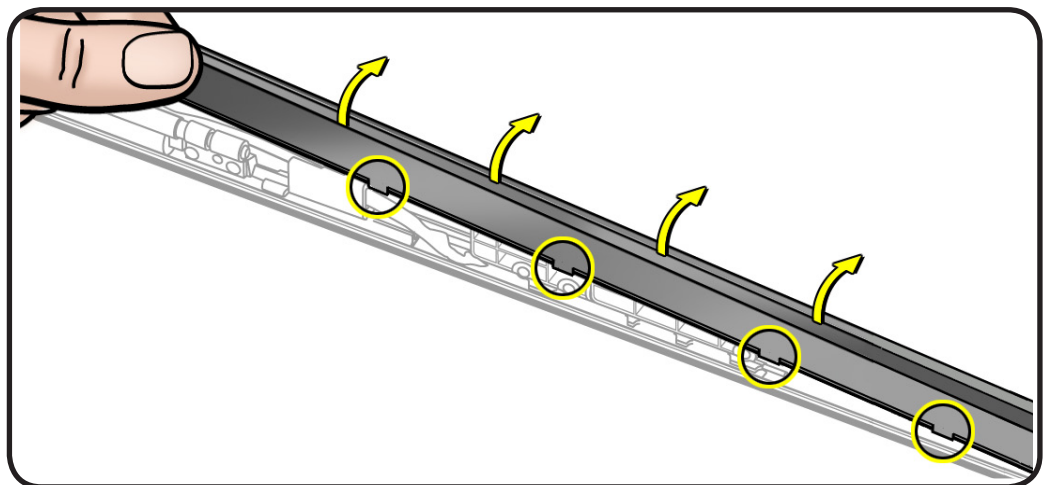
- 1 Cover display face with clean, soft cloth.



- 2 Holding left hinge, slide clutch cover 1/4 inch (6.35 mm) away from the LVDS cable.

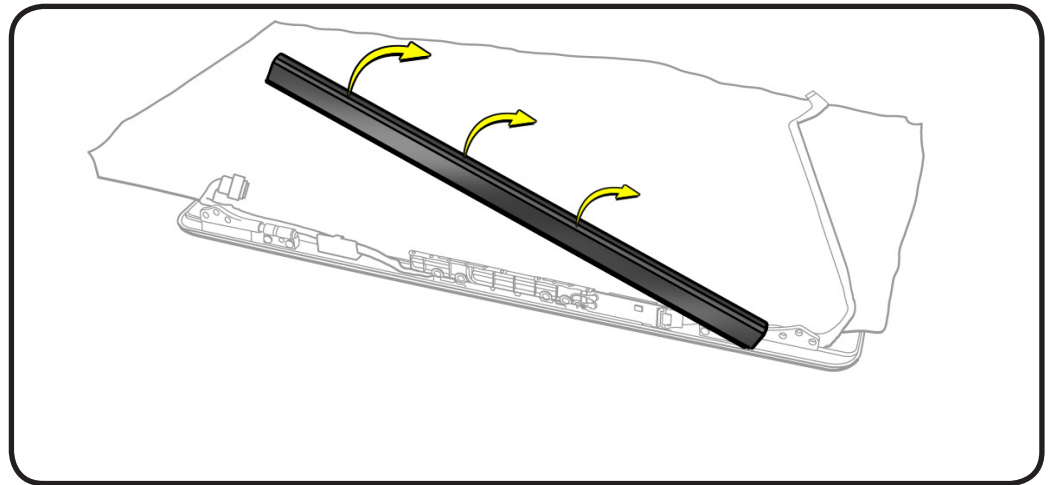


- 3 Press down on clutch cover to loosen 4 hooks inside.



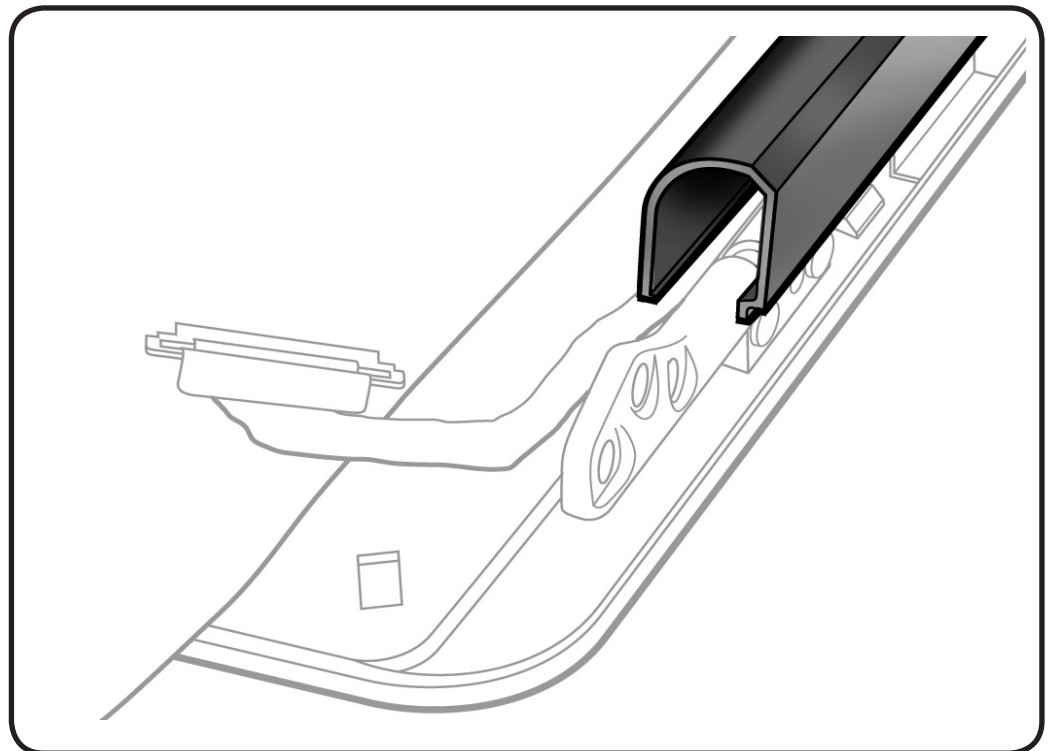


- 4 Tilt up end of clutch cover as you roll it toward display face.
- 5 Remove clutch cover.



## Replacement

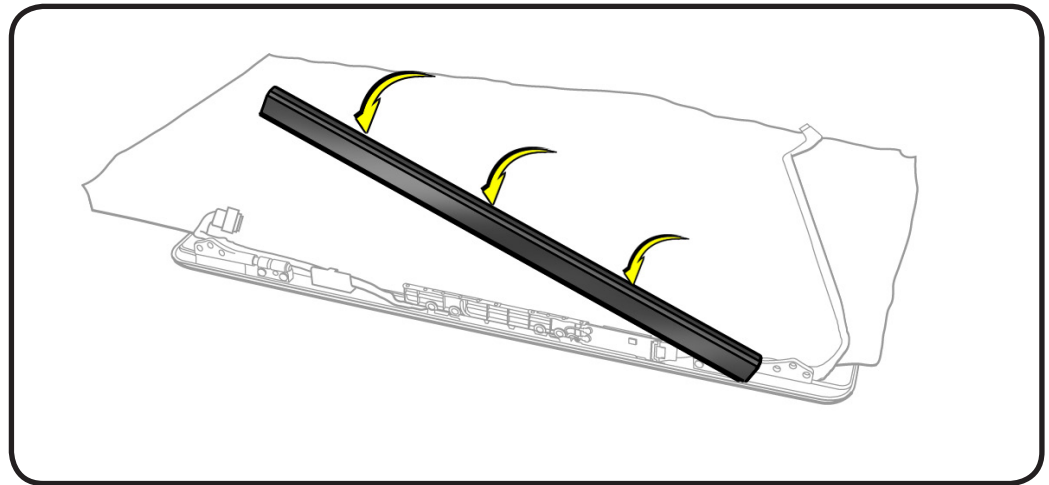
- 1 Note shape of clutch cover:
  - flat at bottom
  - curved at top
- 2 Make sure flat edge is at bottom of display.







- 3** Position clutch cover onto end with longer cable.
- 4** Lower clutch cover onto display assembly.
- 5** Listen for snapping sound as hooks engage.
- 6** Check for good fit.  
Avoid:
  - gaps
  - bulges
  - pinched cables



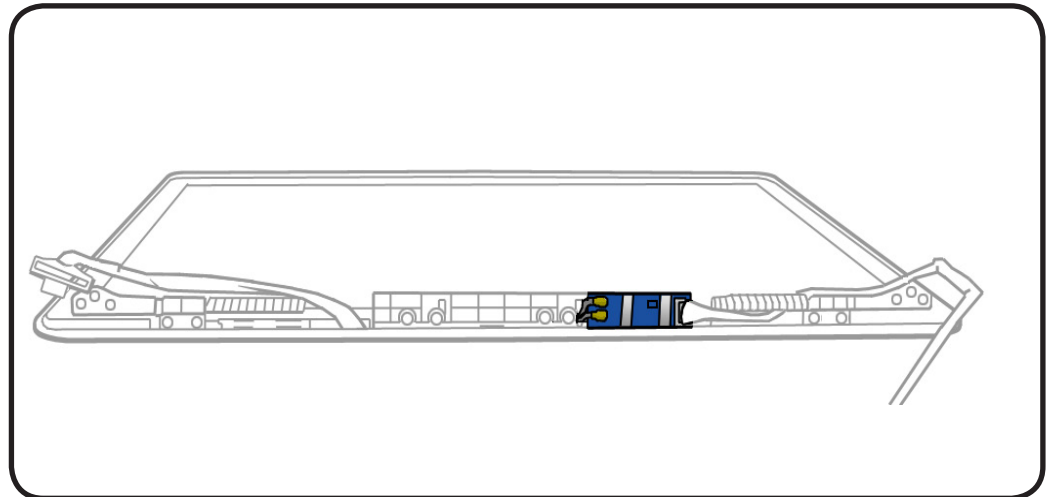


# AirPort Card

## First Steps

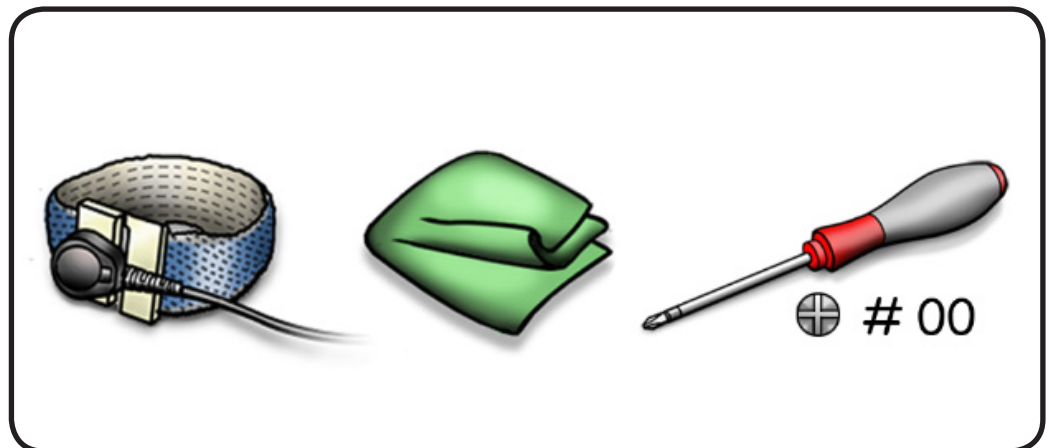
Remove:

- [Bottom case](#)
- [Battery](#)
- [Camera cable guide](#)
- [LVDS cable guide](#)
- [Display assembly](#)
- [Display clutch cover](#)



## Tools

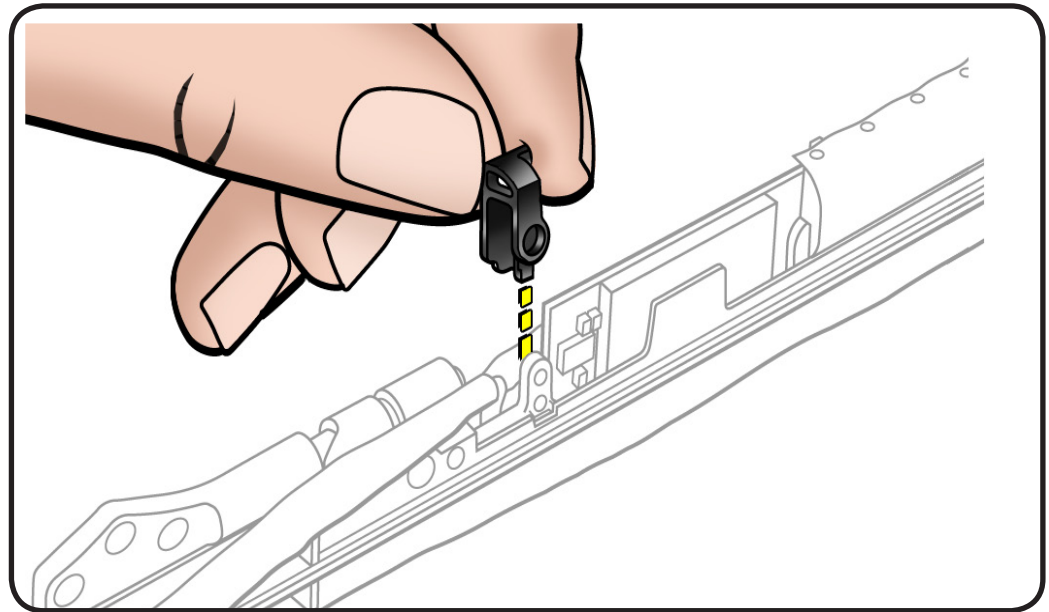
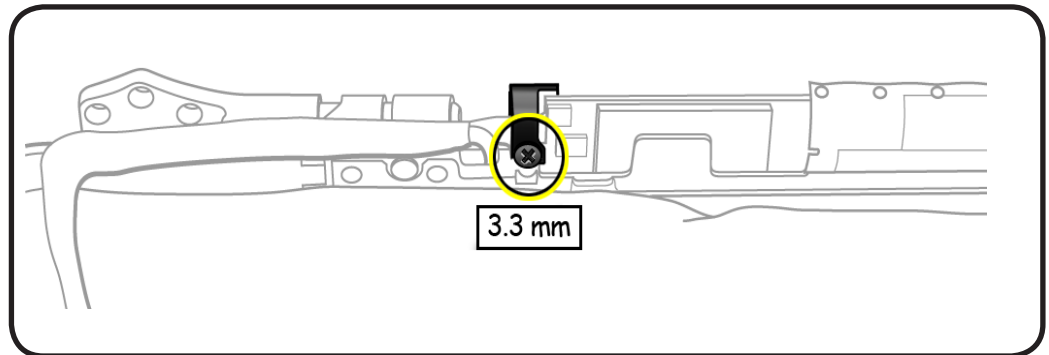
- Clean, soft, lint-free cloth
- ESD wrist strap and mat
- Black stick
- Phillips #00 screwdriver





## Removal

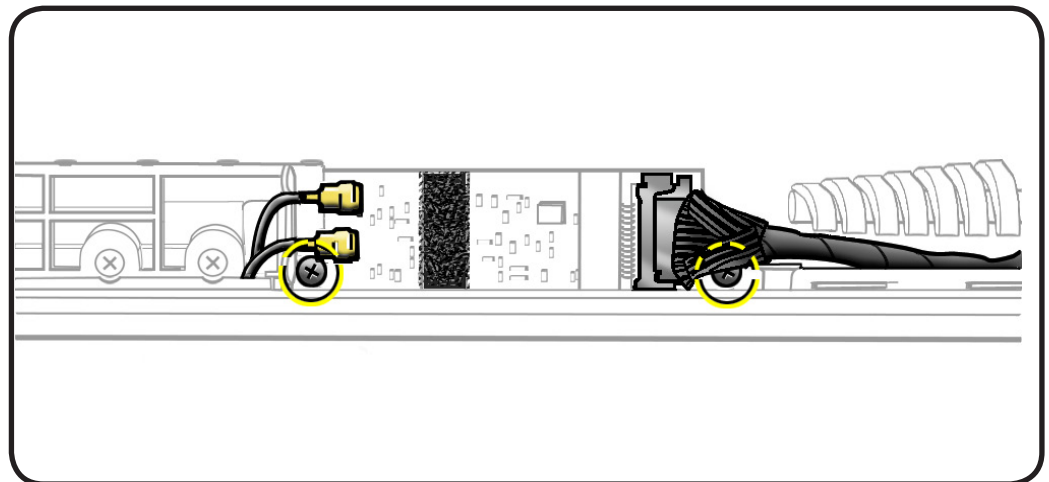
- 1 Cover display with clean, soft cloth.
- 2 Remove 3-mm screw (076-1327) from cable clip.
- 3 Remove cable clip.



- 4 Disconnect AirPort cable.
- 5 Disconnect 2 AirPort antenna cables using a black stick.

**Replacement Note:**  
Shorter antenna is at bottom.

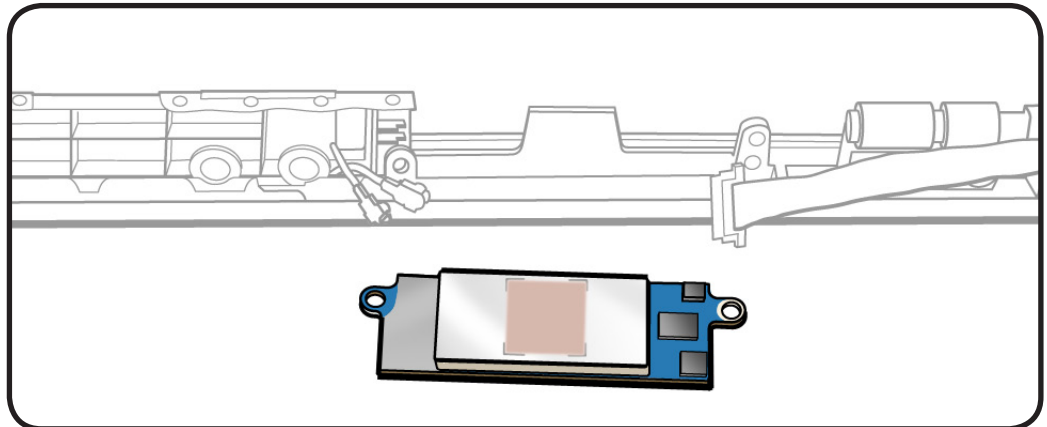
- 6 Remove 2 (3-mm) screws (076-1327).
- 7 Lift out AirPort Card.





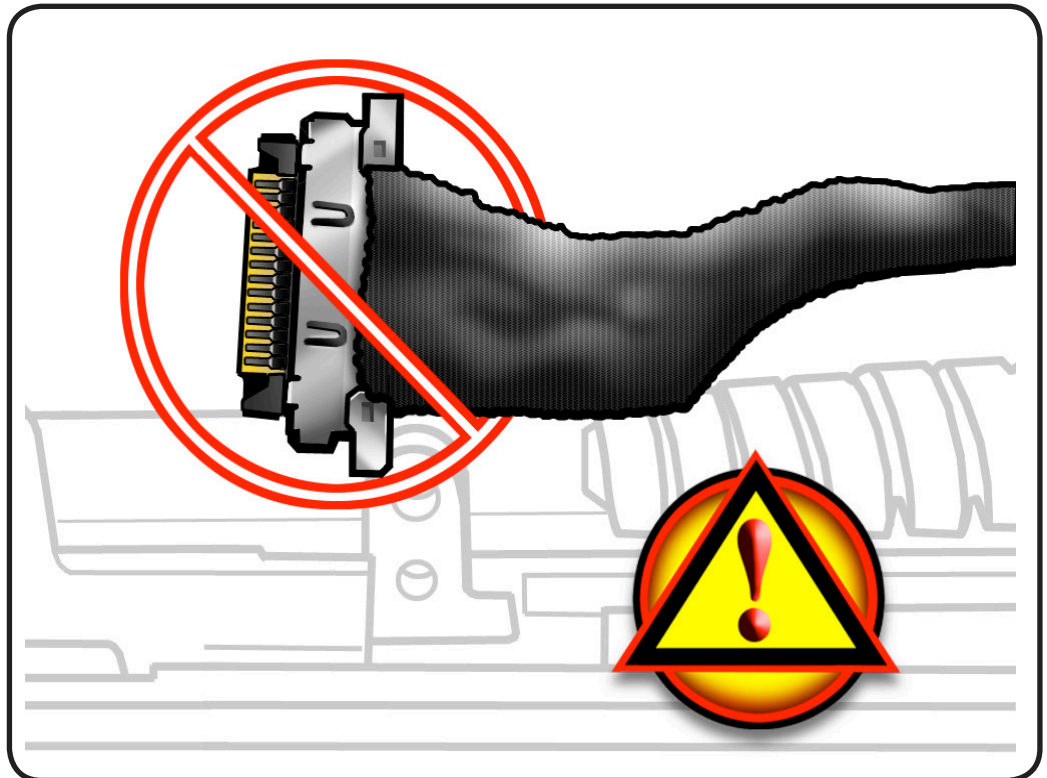
## Replacement

- 1 Make sure thermal pad is centered on AirPort Card rather than stuck to display assembly tab.



- 2 **Important:** Check the AirPort cable. At the end of the cable, on the metal part, there are two grounding fingers (two U-shaped marks). Orient the grounding fingers so they are facing the AirPort card and are in contact with the AirPort card connector. The grounding fingers should **NOT** be facing you. Inserting the cable incorrectly will cause logic board failure!

**Caution:** When testing an AirPort card connection, wait at least 5 seconds after shutdown before connecting the camera cable connection to the logic board. Waiting less than that could damage the AirPort card.



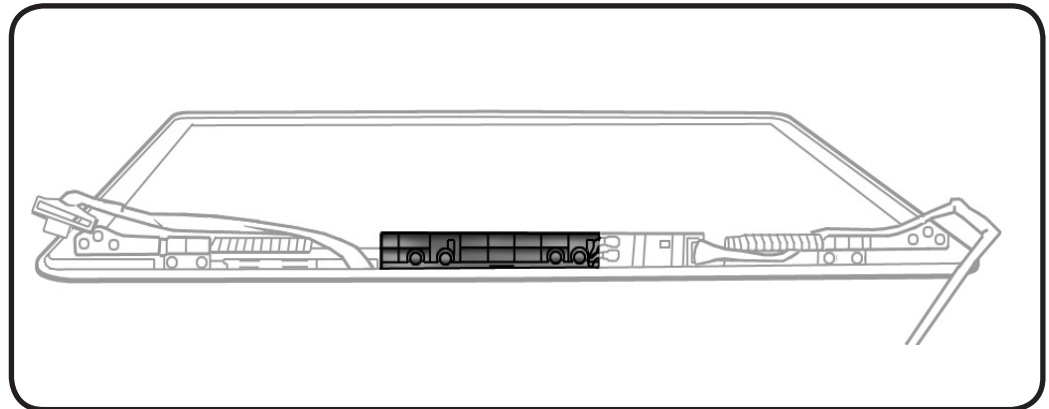


# Antenna Board

## First Steps

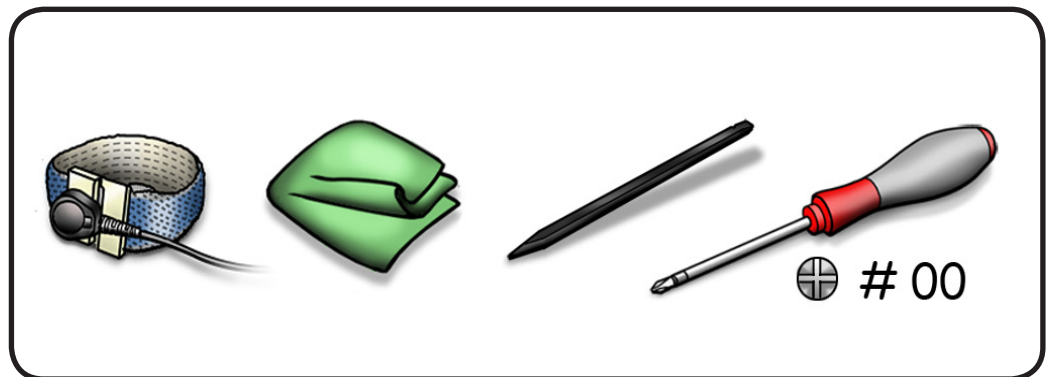
Remove:

- [Bottom case](#)
- [Battery](#)
- [Camera cable guide](#)
- [LVDS cable guide](#)
- [Display assembly](#)
- [Display clutch cover](#)



## Tools

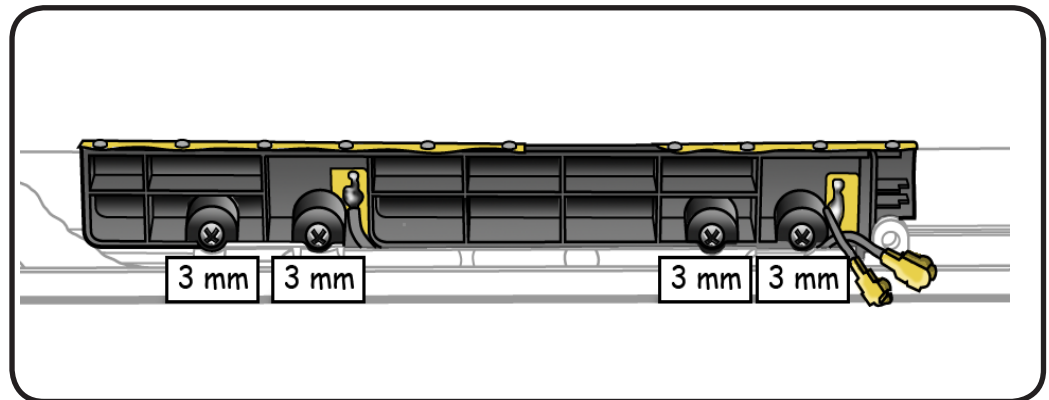
- Clean, soft, lint-free cloth
- ESD wrist strap and mat
- Black stick
- Phillips #00 screwdriver





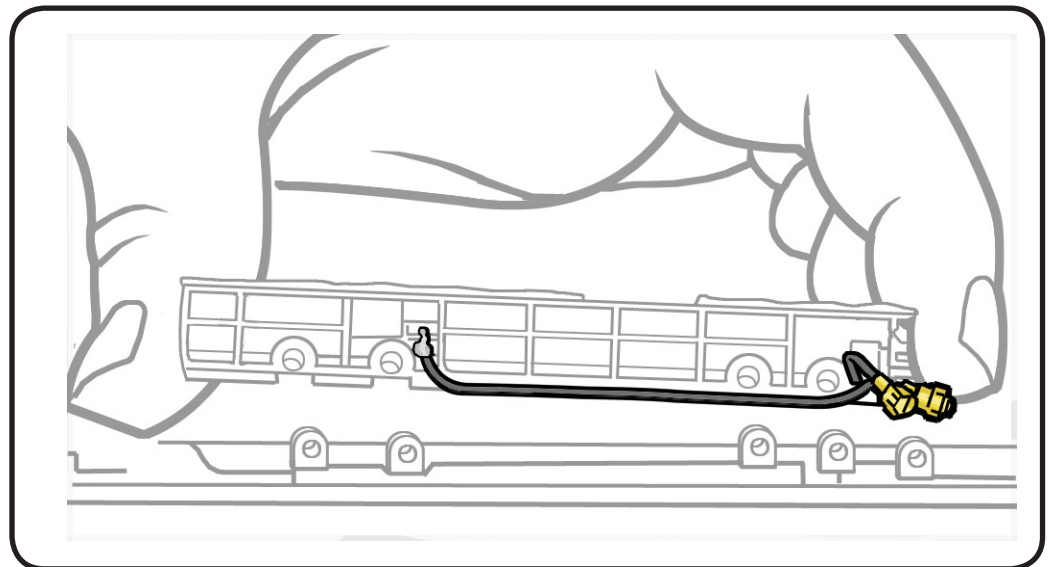
## Removal

- 1 Remove 4 (3-mm) screws.
- 2 Lift out antenna board.



## Replacement

- 1 Make sure the AirPort antenna cable is routed in its channel.
- 2 Connect the antennas to the AirPort card.





# Optical Drive

## First Steps

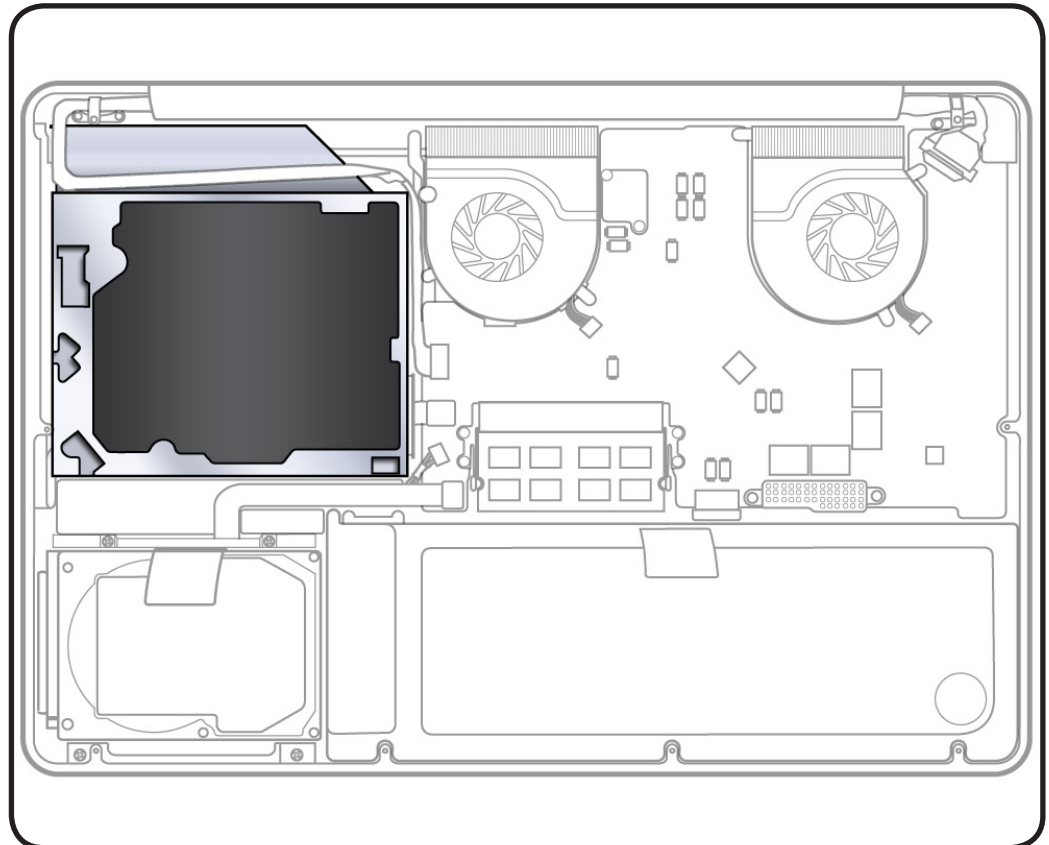
Remove:

- [Bottom case](#)
- [Battery](#)



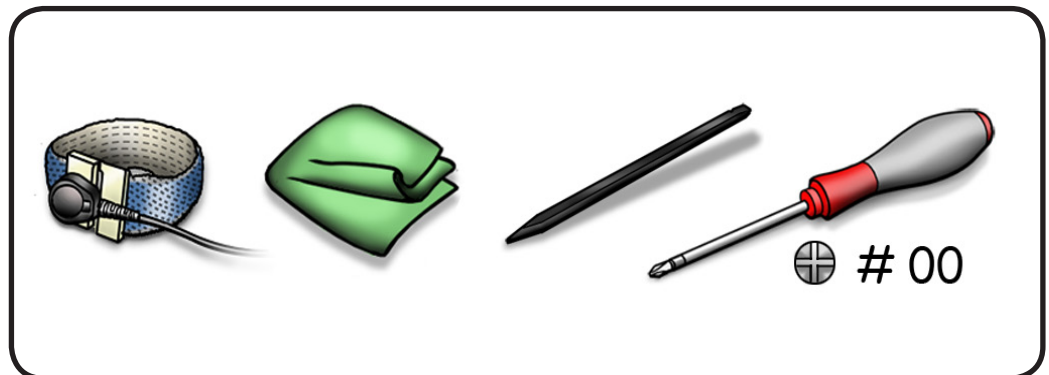
**Caution:** The optical drive is very fragile. Handle by the sides only.

**Note:** Systems with anti-glare displays have a Bluetooth card and antenna in the top left corner. See step 4 for take apart procedure.



## Tools

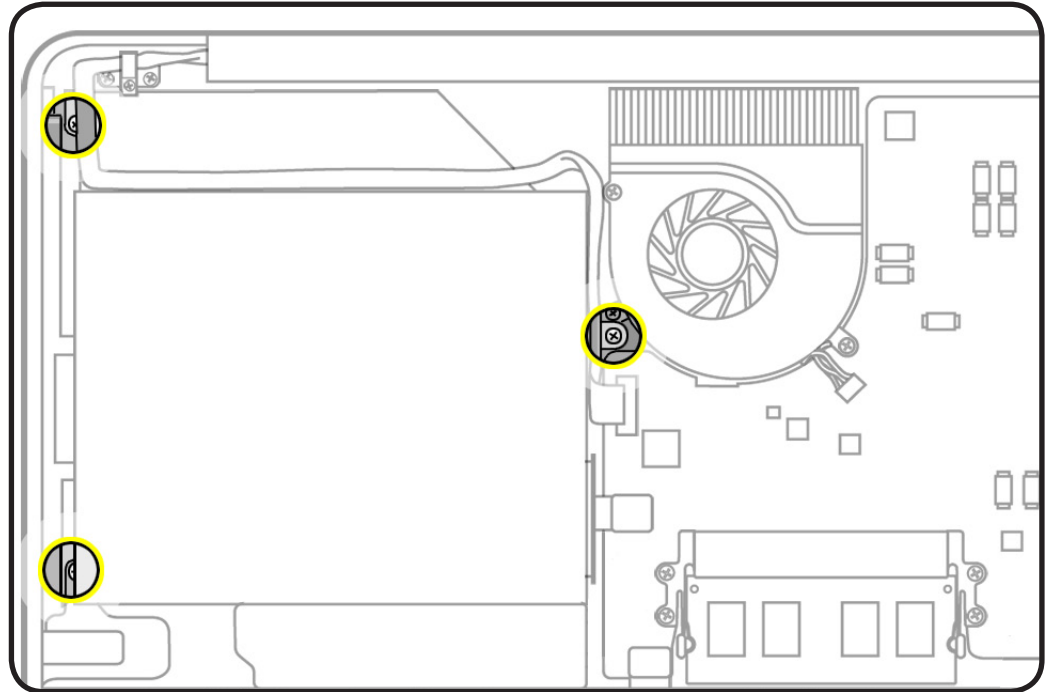
- Clean, soft, lint-free cloth
- ESD wrist strap and mat
- Magnetized Phillips #00 screwdriver
- Black stick





## Removal

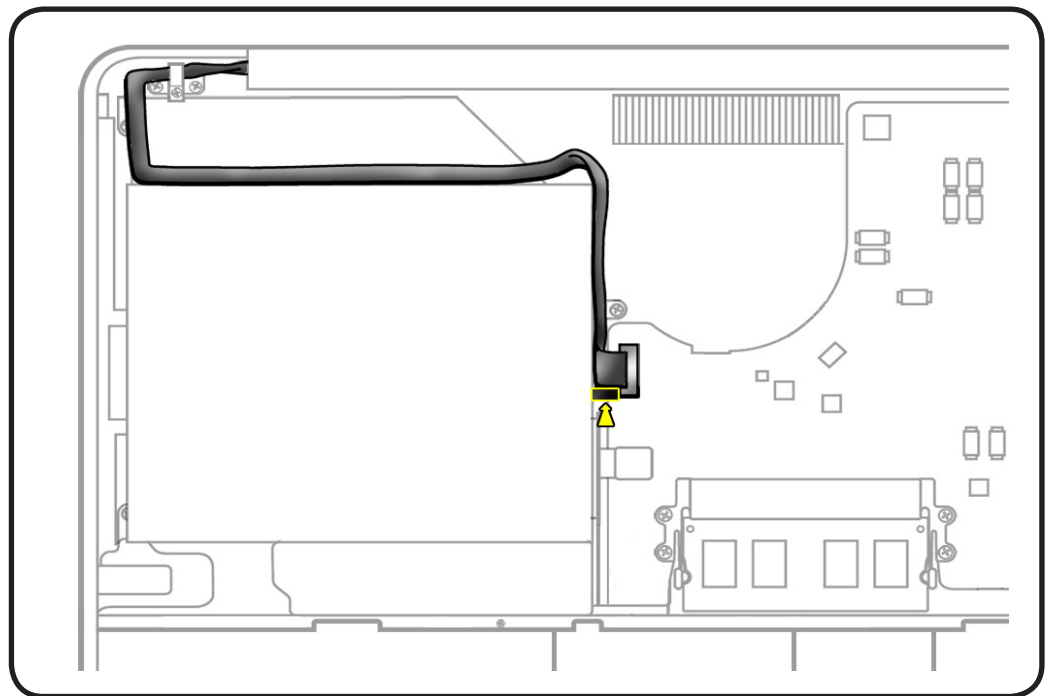
- 1 Remove 3 screws
  - 3 (3.5-mm) 922-8719.



- 2 Using a black stick, gently remove shim located next to camera cable connector. Set shim aside.

**Note:** If you don't remove the shim prior to disconnecting the cable, you could damage the cable pins or logic board connector.

**Replacement Note:** Be sure to replace the shim after you reconnect the cable. Otherwise, the cable could work loose, resulting in no video.



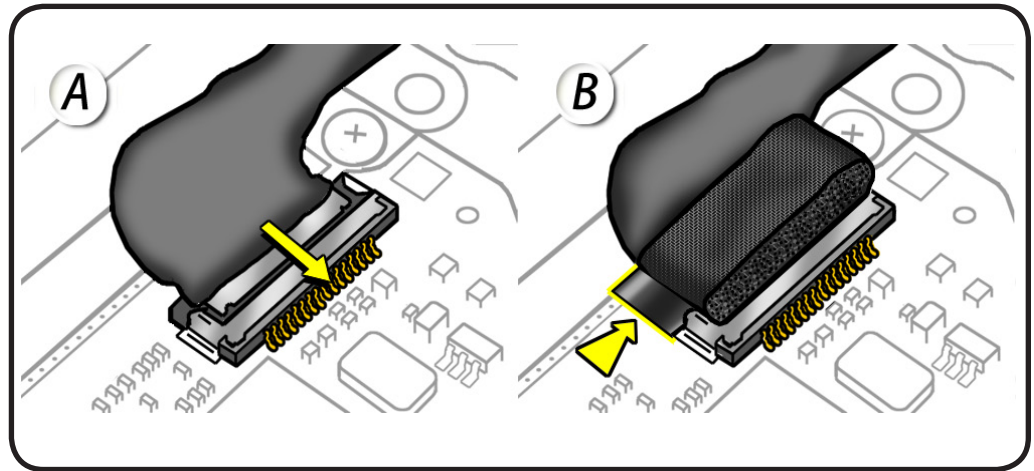




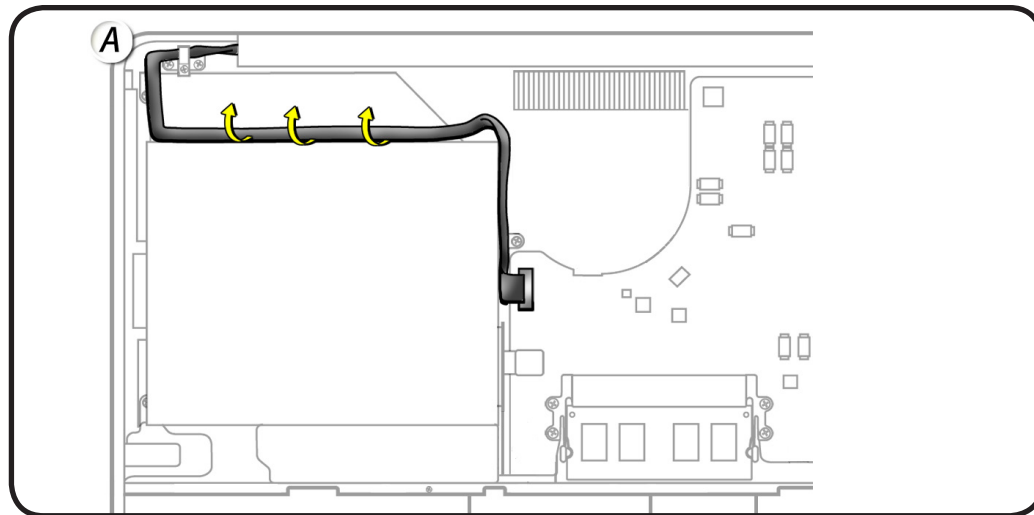
- 3 Peel off camera cable EMI gasket (A), disconnect cable (B).

**Replacement**

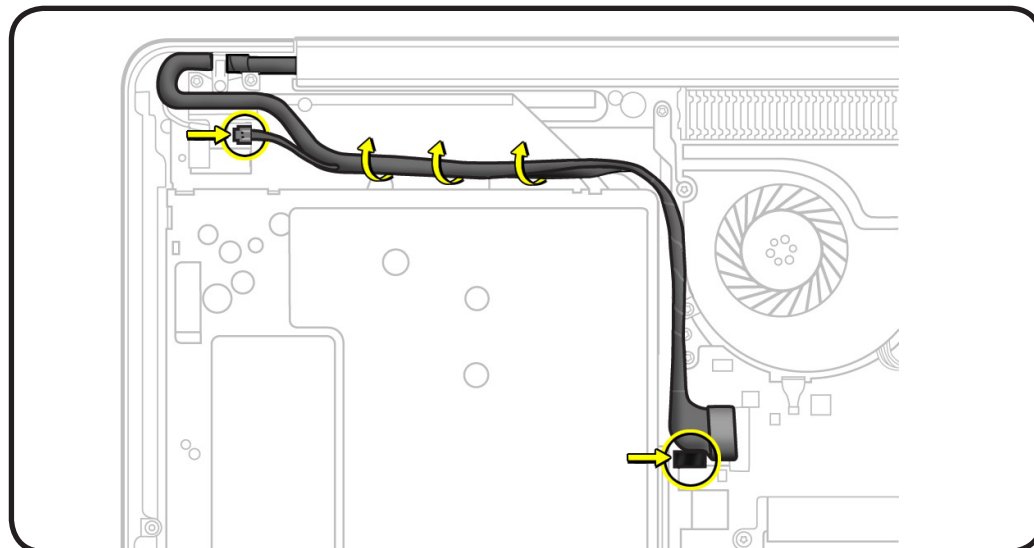
**Caution:** Make sure camera cable is fully inserted, EMI gasket replaced and shim installed behind the cable.



- 4 Peel and lift cable off optical drive:
- Glossy displays (A)



- Anti-glare displays (B)  
Disconnect cable from Bluetooth card and peel up cable.





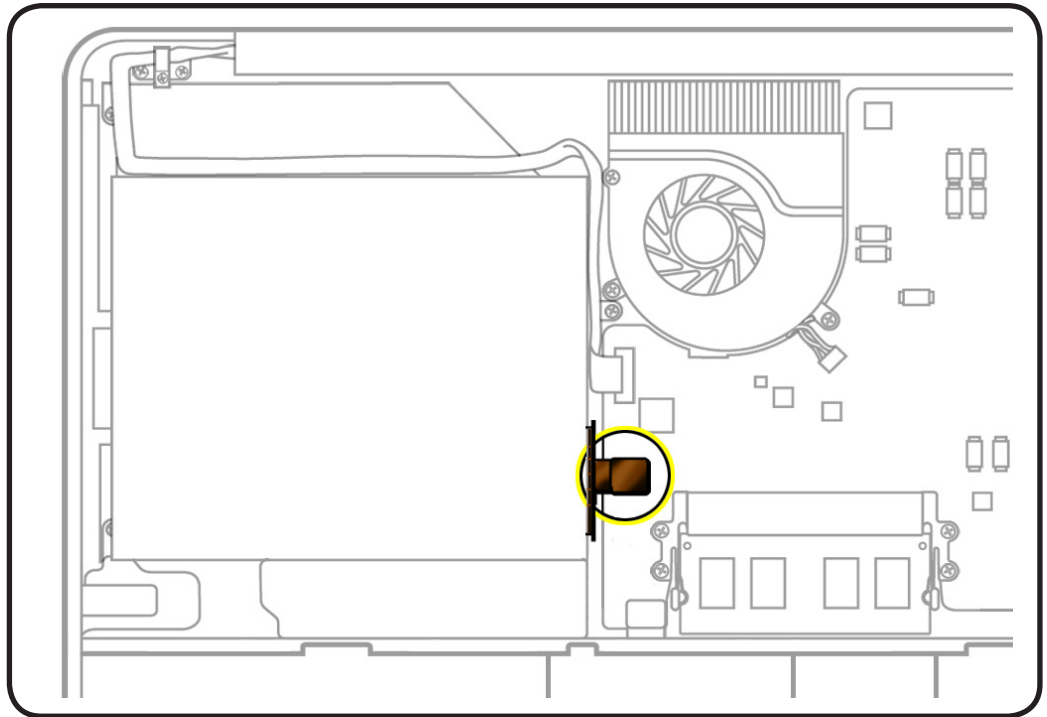
- 5 With a black stick, carefully pry optical cable straight up and off logic board.



**Important**

**Replacement Note:**

Install flex cable vertically onto logic board connector. Failure to do so could bend logic board pins and cause the system to not detect a disc when inserted.



- 6 Lift optical drive out.





# Optical Drive Data Cable

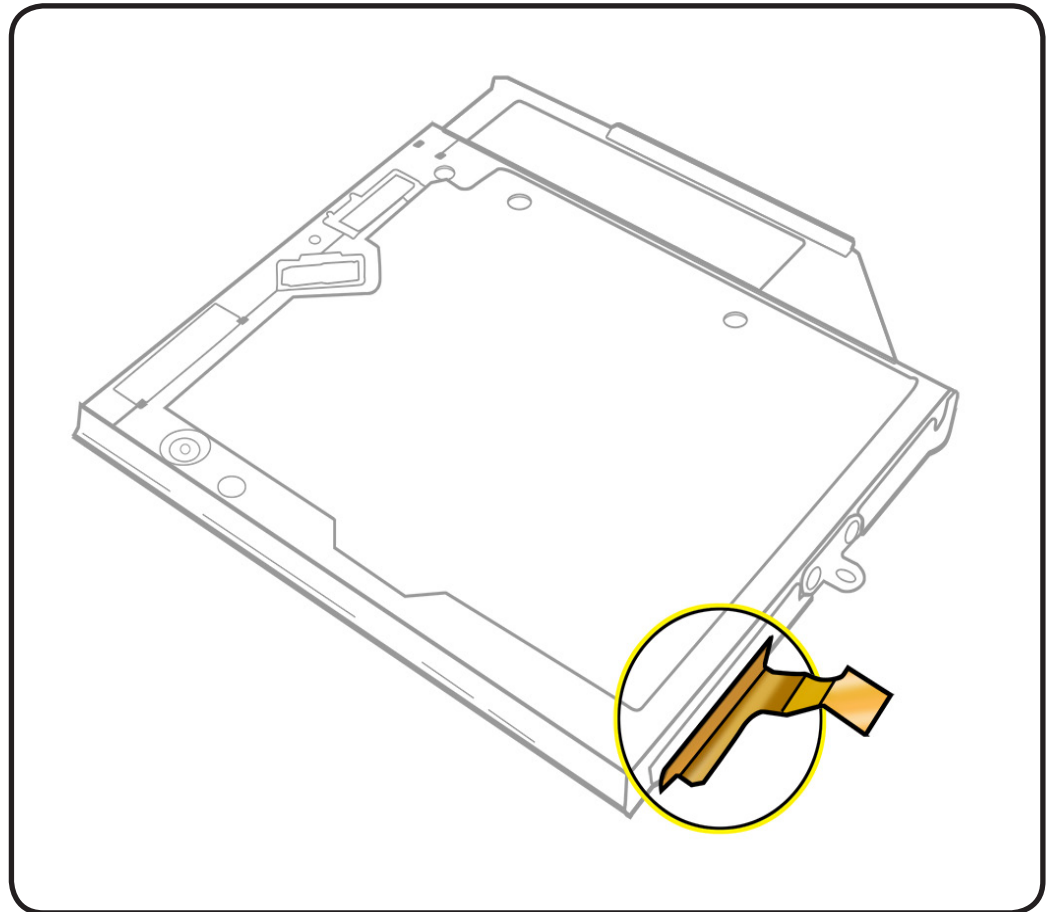
## First Steps

Remove:

- [Bottom case](#)
- [Battery](#)
- [Optical drive](#)

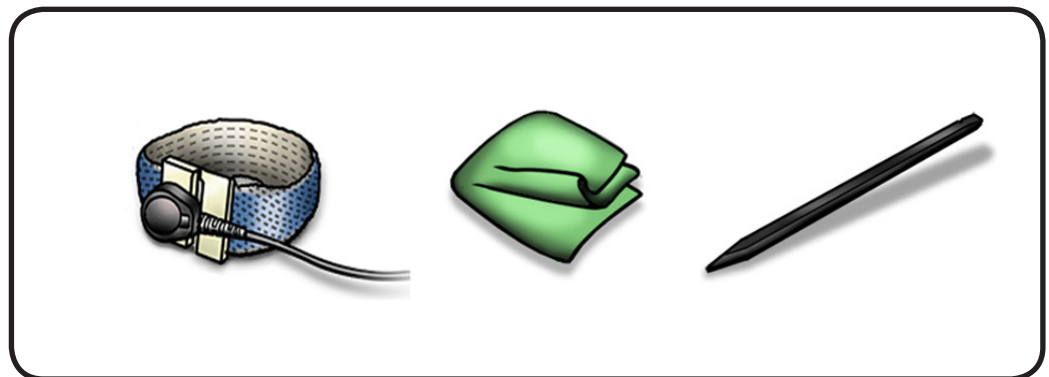


**Caution:** The optical drive is very fragile. Handle by the sides only.



## Tools

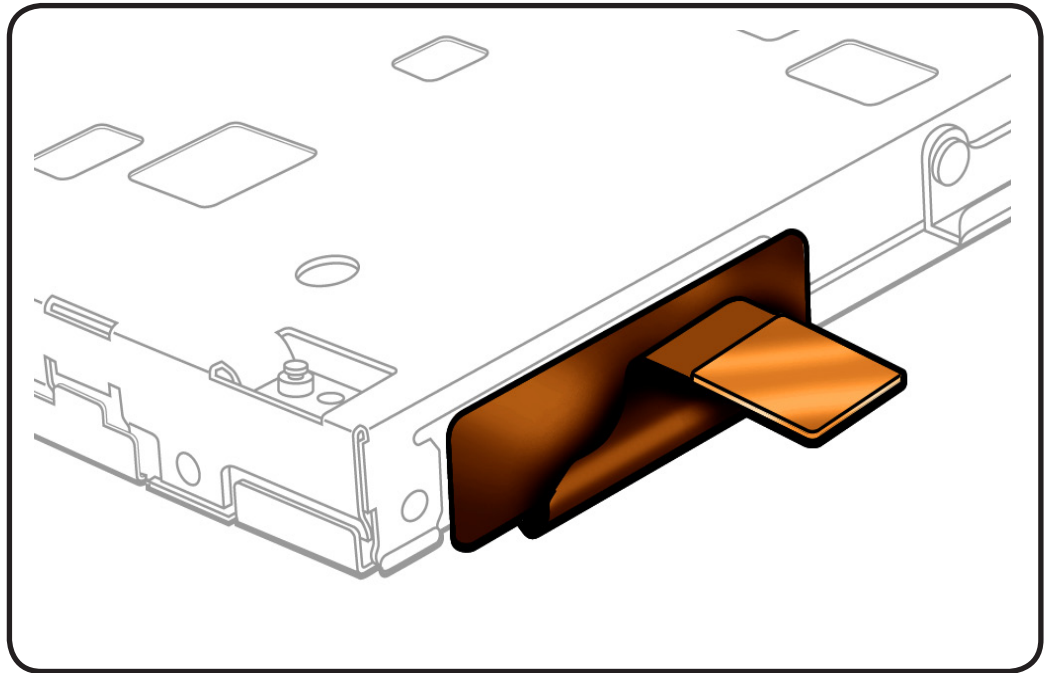
- Clean, soft, lint-free cloth
- ESD wrist strap and mat
- Black stick





## Removal

- 1 With a black stick or fingernail, carefully wiggle flex cable off optical drive.



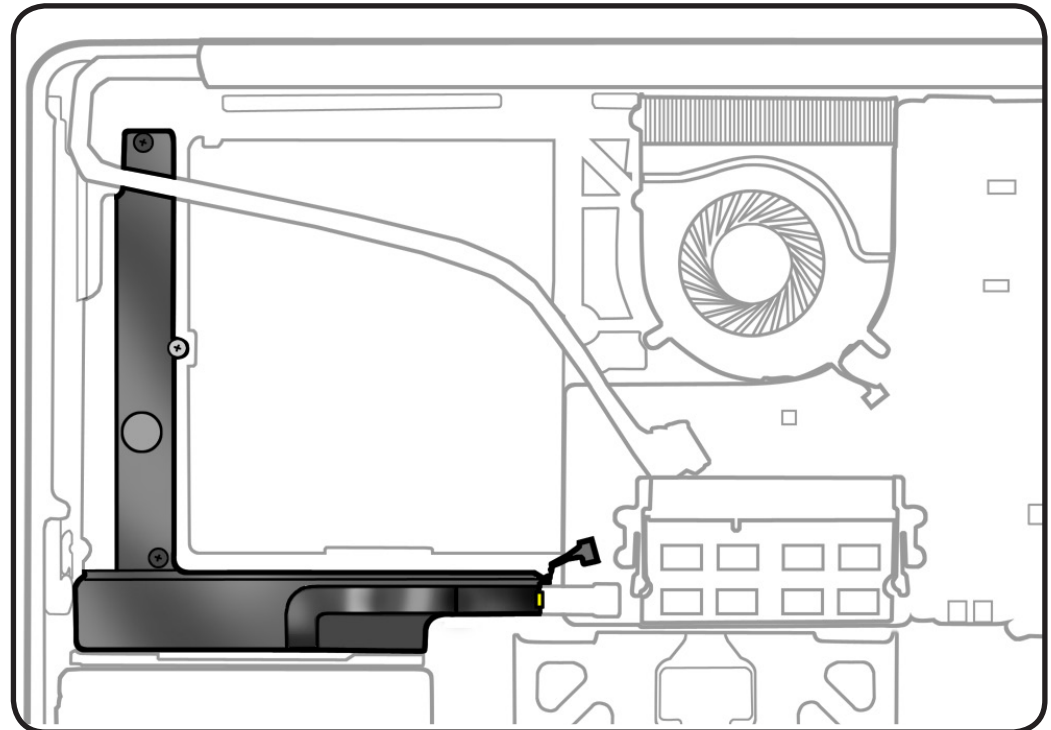


# Right Speaker / Subwoofer

## First Steps

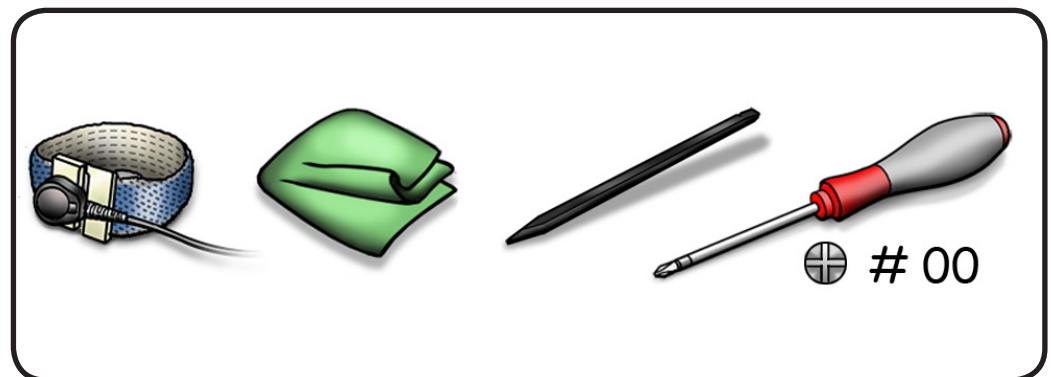
Remove:

- [Bottom case](#)
- [Battery](#)
- [Camera cable guide](#)
- [Optical drive](#)



## Tools

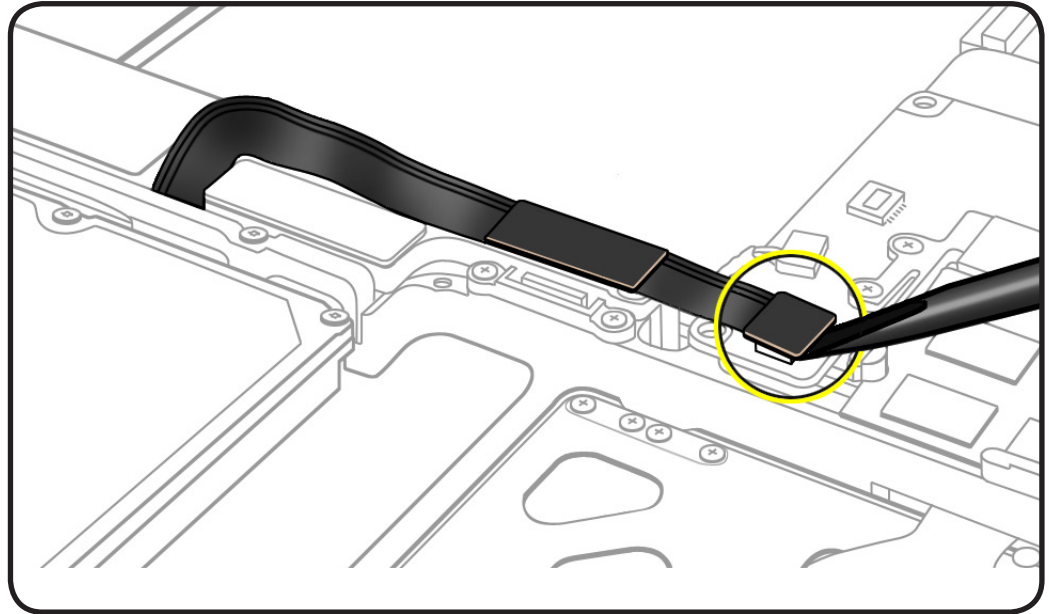
- Clean, soft, lint-free cloth
- ESD wrist strap and mat
- Black stick
- Magnetized Phillips #00 screwdriver





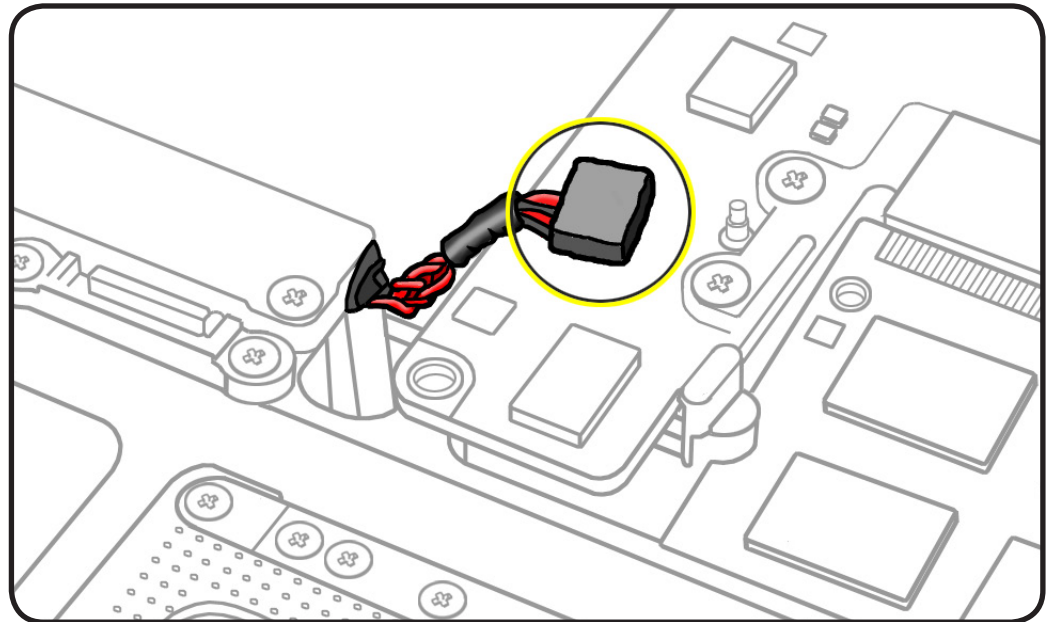
## Removal

- 1 Using black stick, disconnect hard drive/IR/sleep indicator cable from logic board.
- 2 Carefully pry cable from top of speaker assembly and bend back toward hard drive.



- 3 Disconnect speaker cable from logic board.

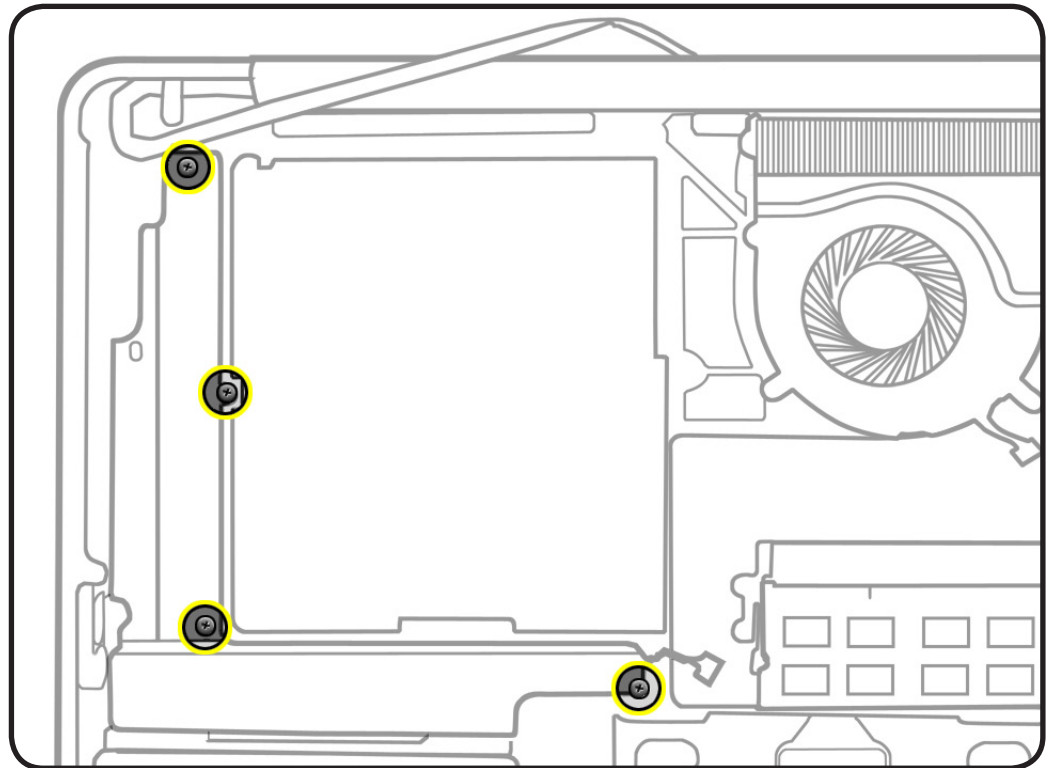
**Note:** To disconnect, place black stick under cable and lift straight up.





- 4** Remove 4 screws:
- 2 (3-mm), 922-9095
  - 1 (4.75-mm)
  - 1 (2.35-mm), 922-9094

- 5** Remove speaker assembly from top case.

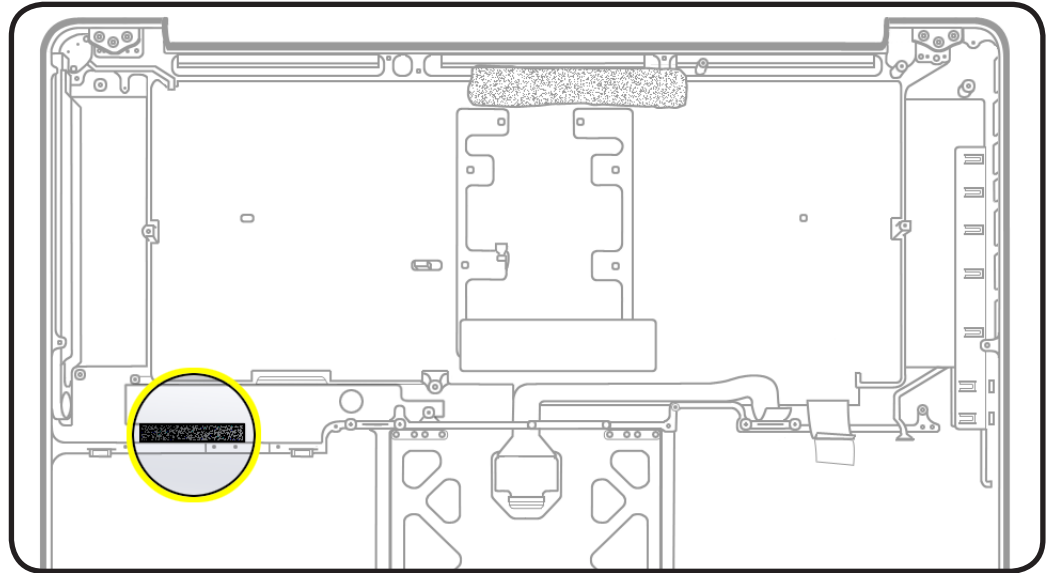




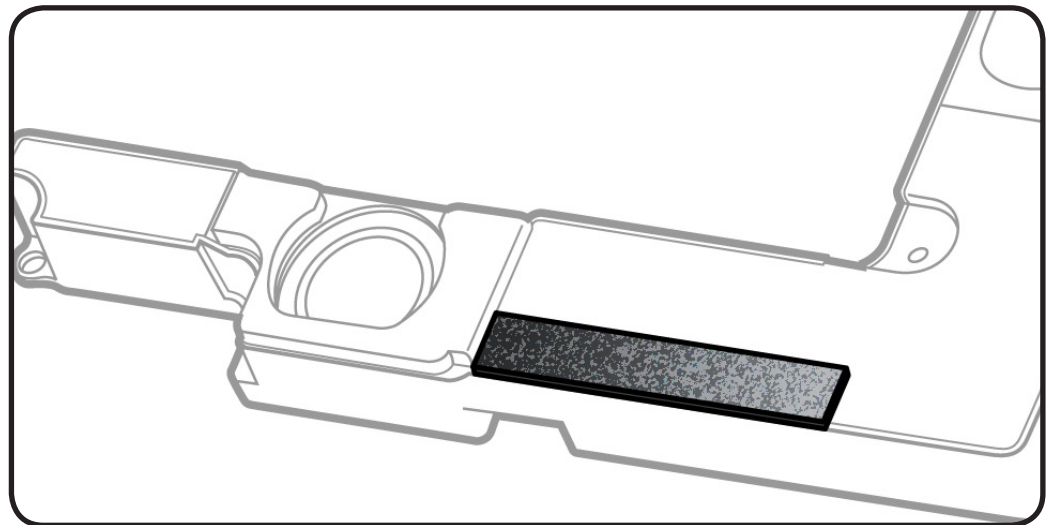


**Note on Foam:** A small piece of foam prevents the right speaker from vibrating against the top case. The foam comes installed either on the inside of the top case or on the bottom of the speaker. Before installing a replacement speaker or top case, do the following:

- a. Check the inside of the top case below the speaker, as shown. Is foam installed on the case?



- b. Check the bottom of the replacement speaker, as shown. Is foam installed on the speaker?

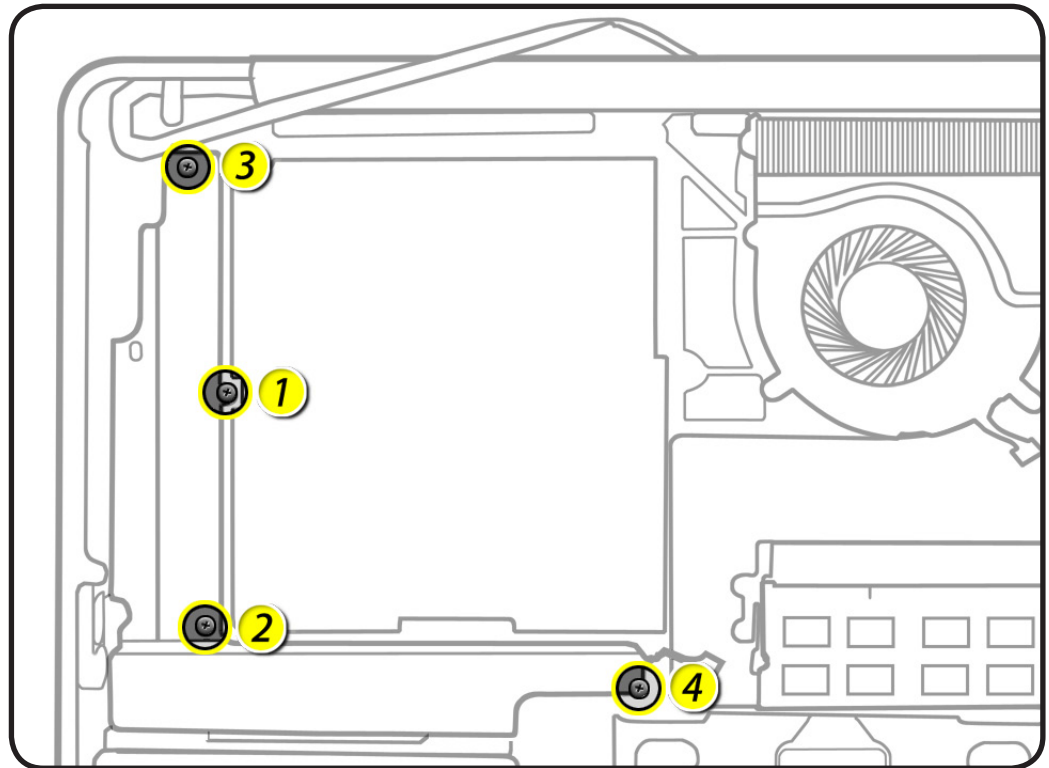


If you answered YES to both a and b, remove the foam from the right speaker and clean off any adhesive residue before installing the new speaker.

If you answered NO to both a and b, install the foam included with the replacement part on the bottom of the speaker, as illustrated above.



**Reassembly Note:**  
Replace screws in the  
order indicated.



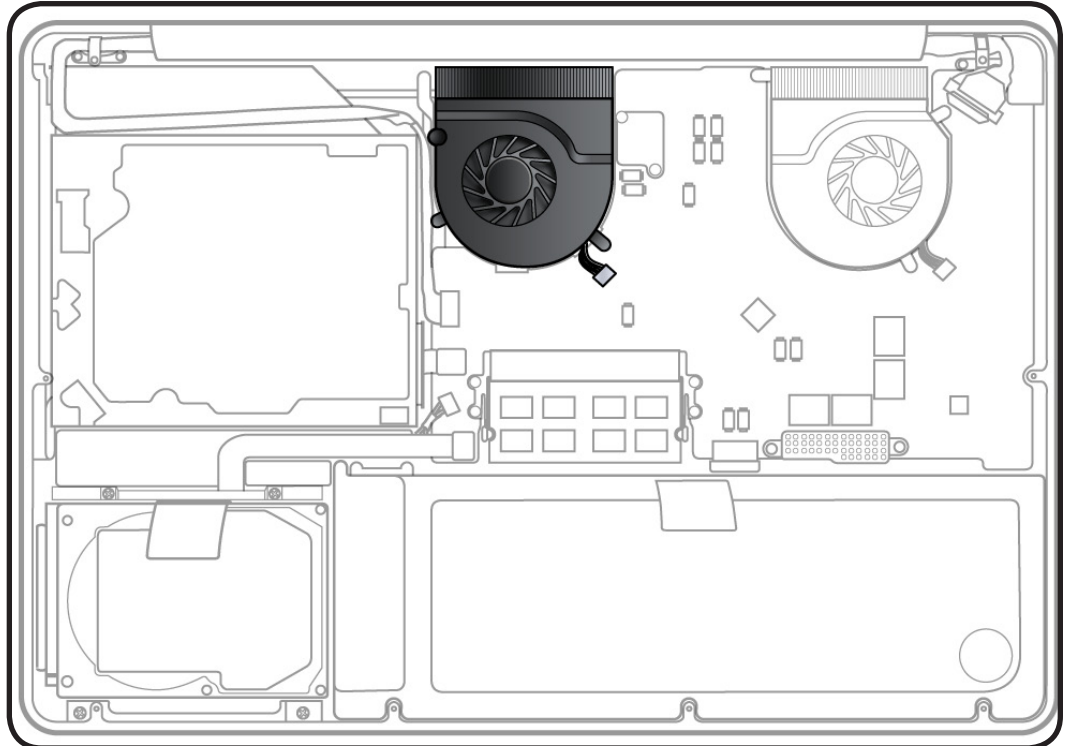


# Fan, Right

## First Steps

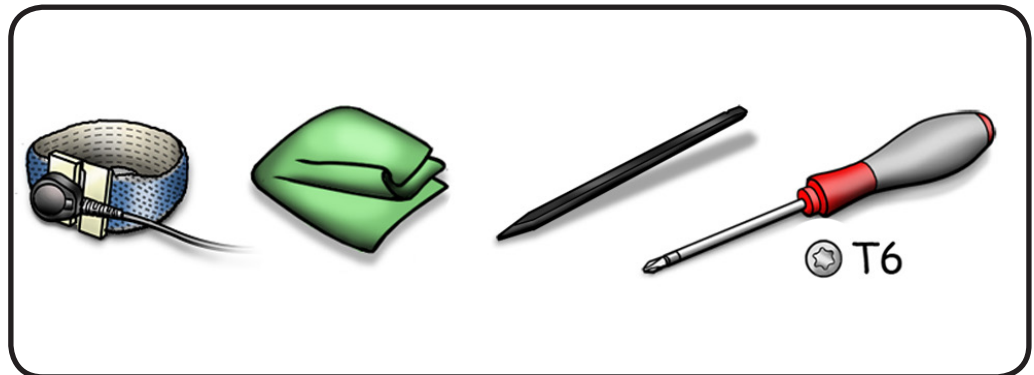
Remove:

- [Bottom case](#)
- [Battery](#)



## Tools

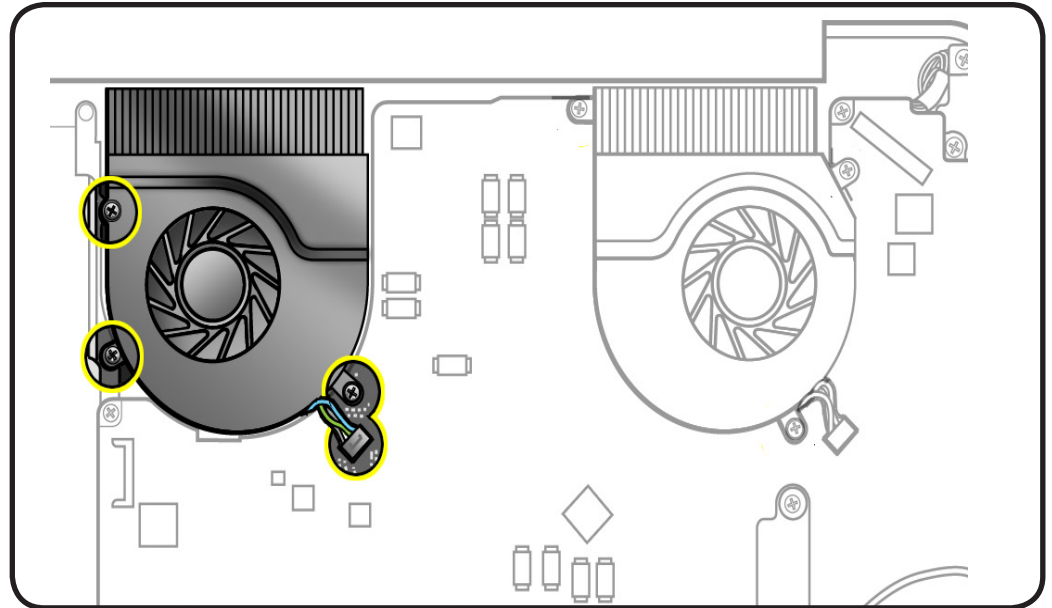
- Clean, soft, lint-free cloth
- ESD wrist strap and mat
- Black stick
- Torx T6 screwdriver





## Removal

- 1 Use a black stick to disconnect fan cable.
- 2 Remove 3 (T6) 922-9108 screws.





# Logic Board

## First Steps

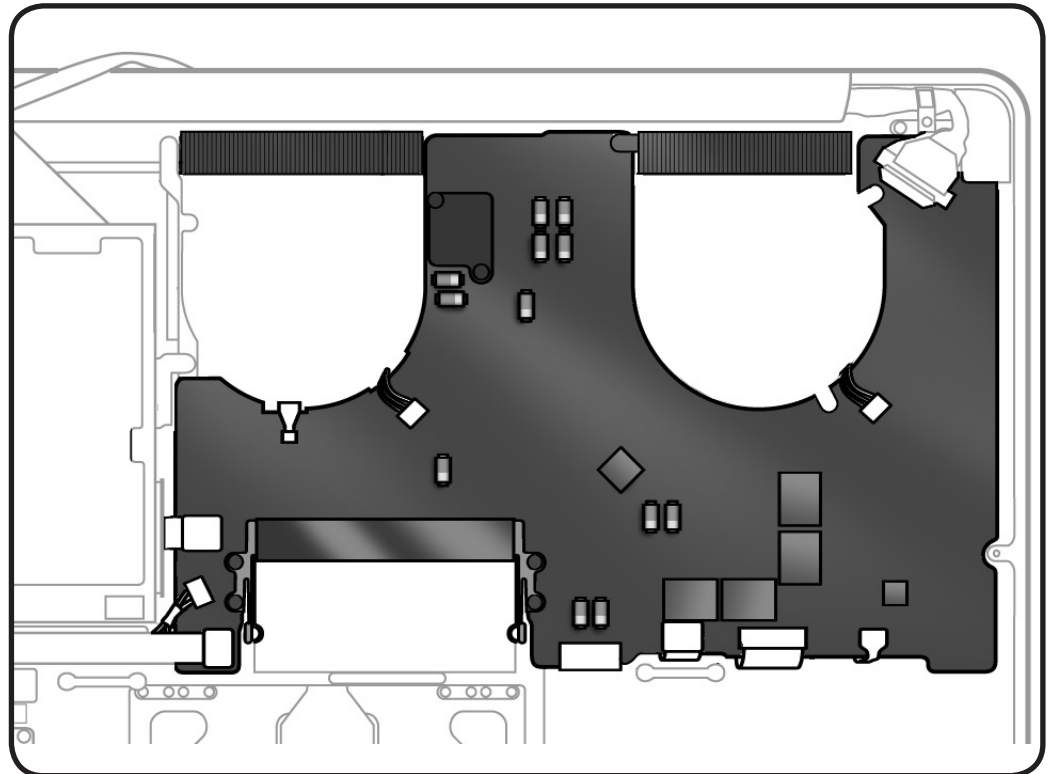
Remove:

- [Bottom case](#)
- [Battery](#)
- [Right fan](#)
- [LVDS cable guide](#)



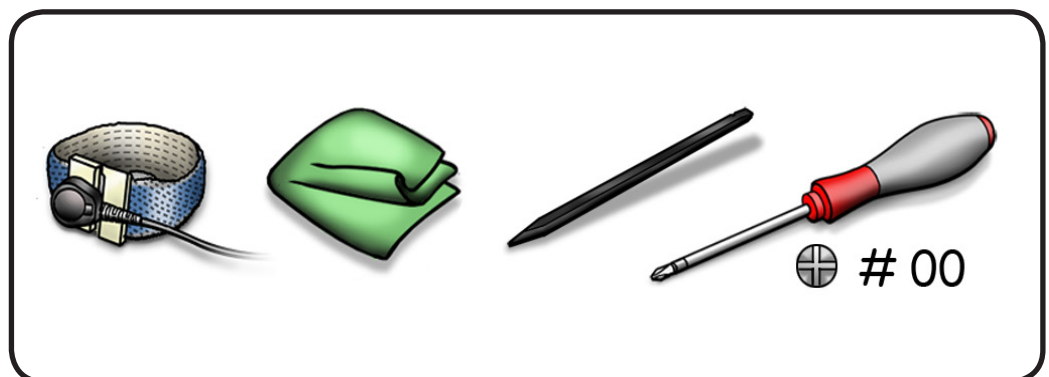
**Important:** Removal and replacement of the heatsink or left fan from the logic board requires the [service fixture](#).

Failure to use the service fixture could damage components on the logic board.



## Tools

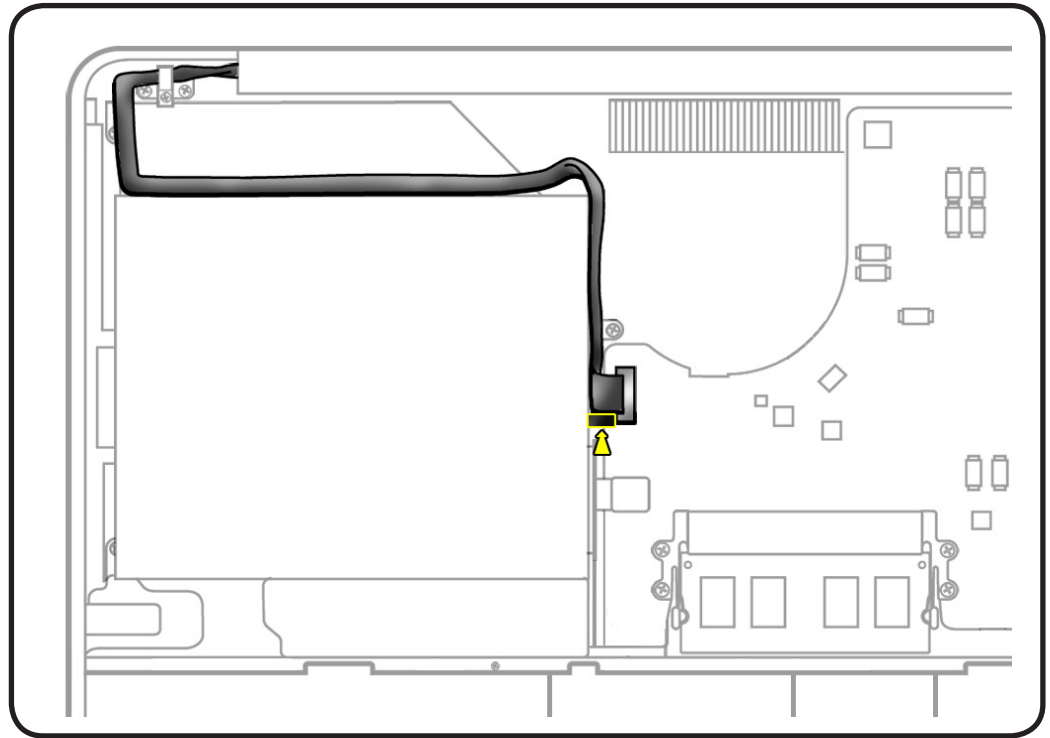
- Clean, soft, lint-free cloth
- ESD wrist strap and mat
- Magnetized Torx T6 screwdriver
- service fixture
- Black stick



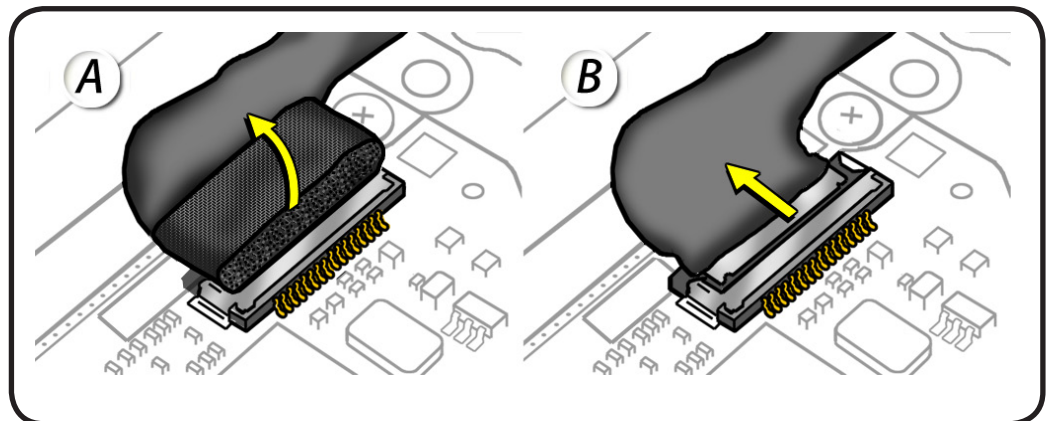


## Removal

- 1 Locate camera/AirPort/Bluetooth/connector and black shim on the logic board.
- 2 Using a black stick, pry the shim from the logic board. If you don't remove the shim, you could damage the logic board and/or the camera cable.



- 3 Peel EMI gasket off camera cable connector (A).
- 4 Disconnect camera cable from logic board (B). Pull cable on same horizontal plane as the logic board.

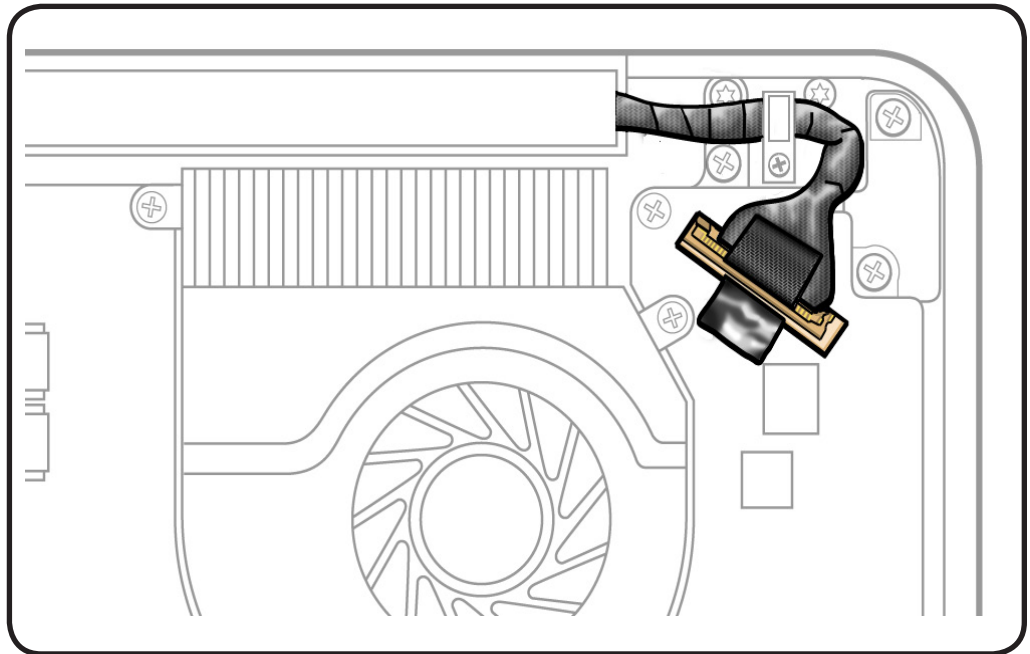




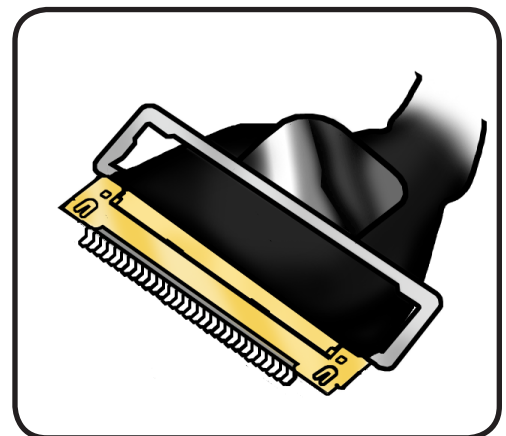
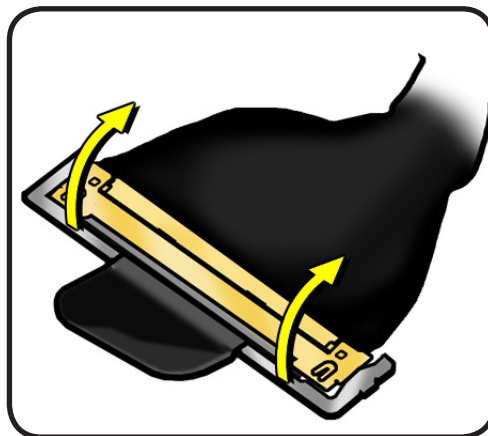
**Caution:** The LVDS cable/lock bar is very fragile, handle with care. A broken lock bar results in a display assembly replacement.



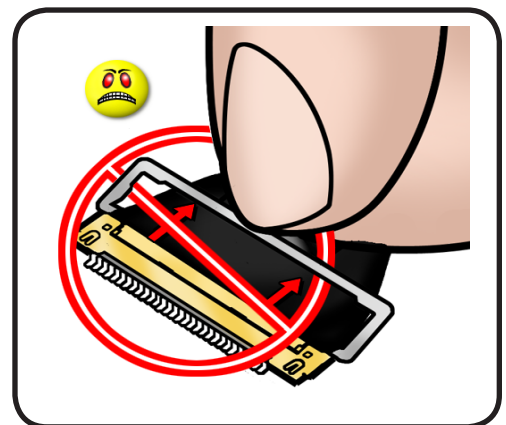
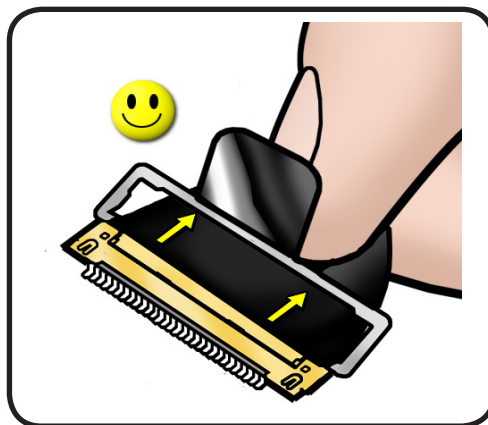
- 5 Peel EMI gasket off the top of LVDS cable, pull towards the fan.



- 6 To disconnect LVDS cable grasp black tab and gently swing LVDS lock bar up and back to unlock the cable

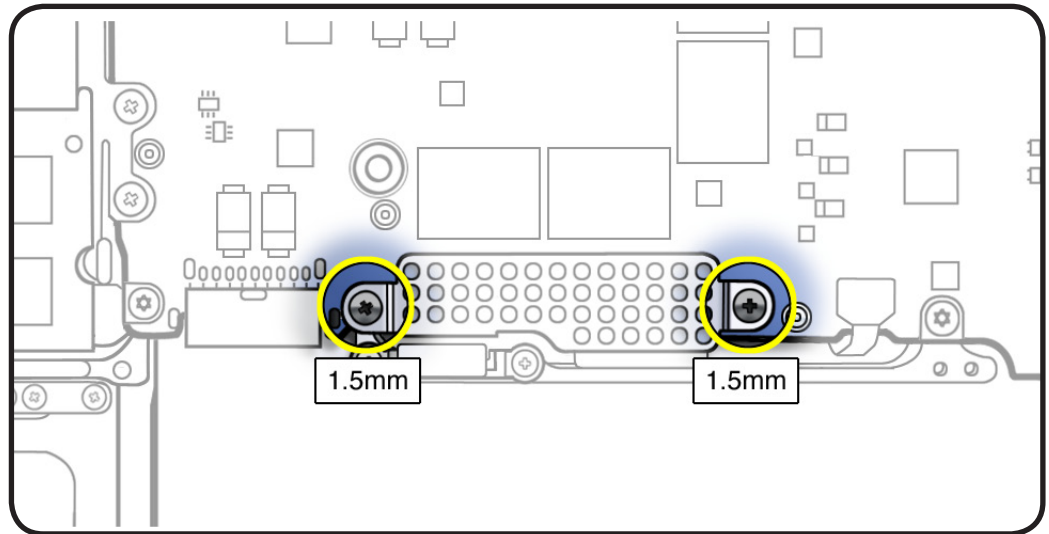


- 7 Slide cable out of connector by pulling the cable. Do not pull the black tab or lock bar.



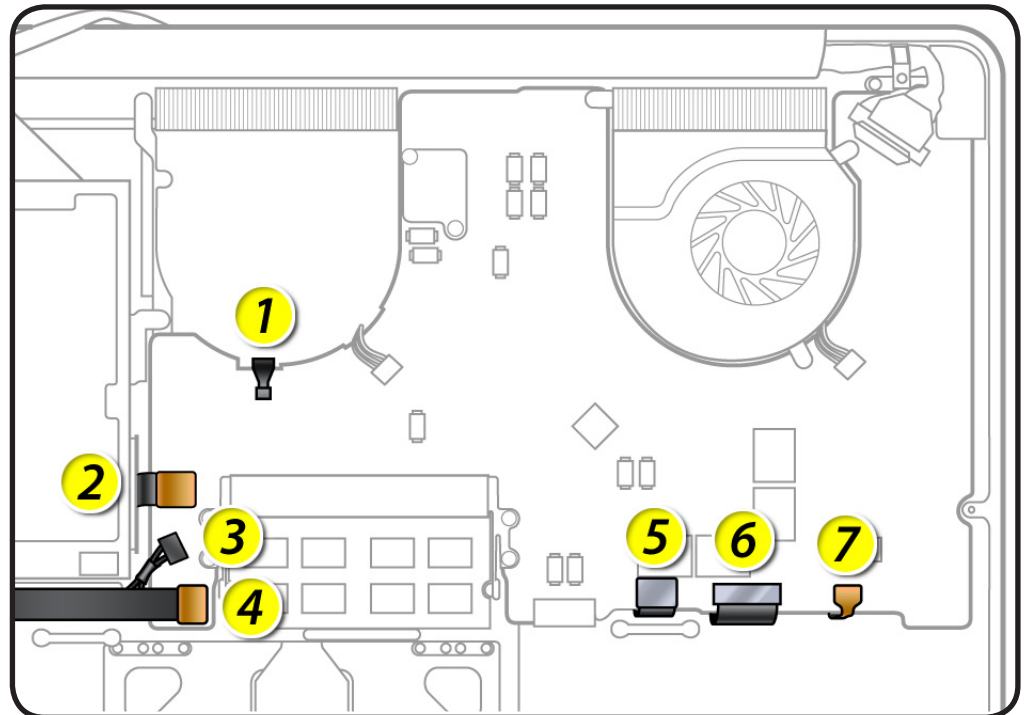


- 8 Remove 2 screws (1.5-mm) 922-9037 on cable cover.



- 9 **Caution:** Referring to [Connector Types](#), carefully disconnect 7 more cables in the order shown:

- (1) keyboard backlight
- (2) optical drive
- (3) right speaker
- (4) hard drive/IR/sleep
- (5) trackpad flex
- (6) keyboard
- (7) battery indicator

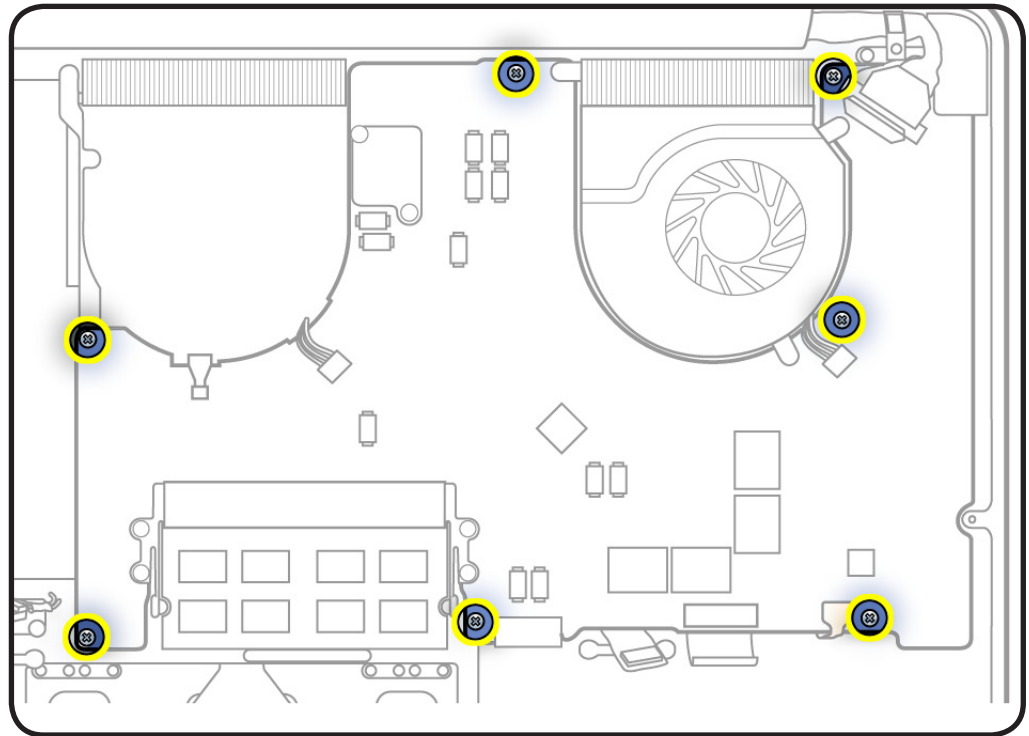






- 10** Remove 7 T6 (3.5-mm) 922-9108 logic board screws.

**Important:** If replacing the logic board, use the [service fixture](#) to remove the screws on the left fan and the heatsink.

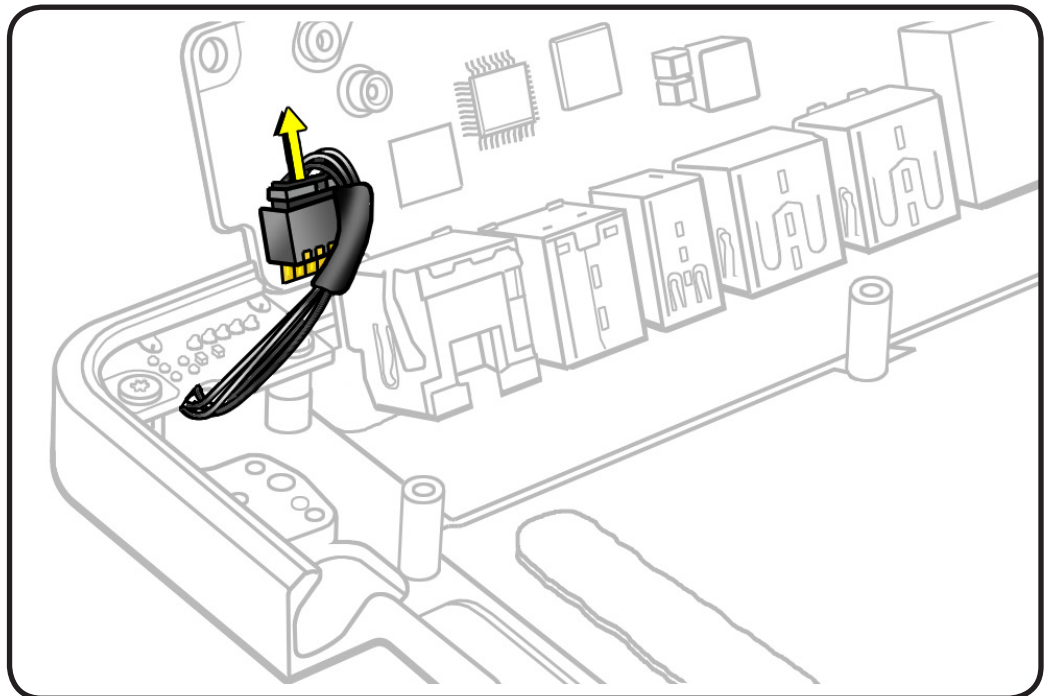


- 11** Pull board away from ports.

- 12** Tilt board vertically and on the underside disconnect the magsafe board cable.

- 13** Lift logic board from top case.

**Replacement Note:** remove the [speaker](#) and [microphone](#) before placing the logic board onto the fixture to remove the fan and heatsink.

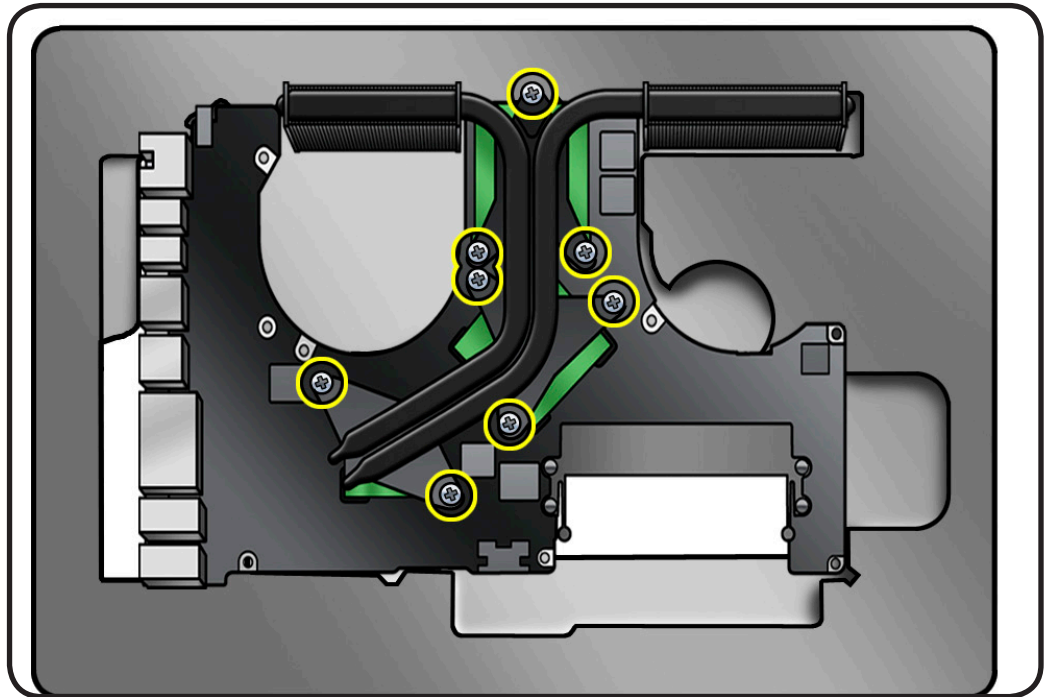




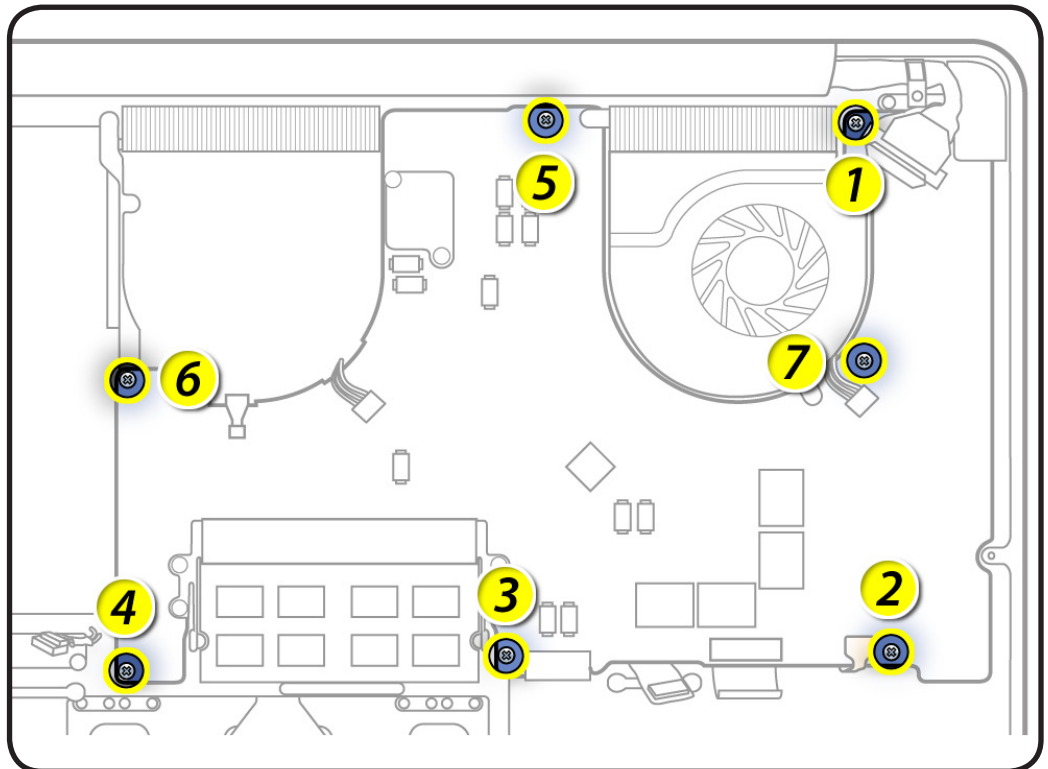
## Replacement

- 1 If you are replacing the logic board, use the [service fixture](#) (as shown) to support the board when transferring:

- heatsink
- left fan



- 2 Connect the MagSafe cable on the underside.
- 3 Replace 7 T6 screws in order shown.
- 4 Connect [7 logic board](#) cables.

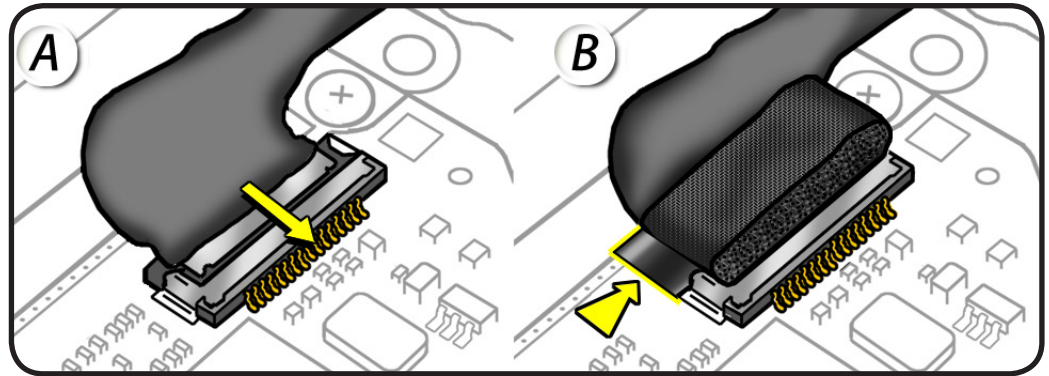




5 Transfer the memory.

6 Replacement

**Caution:** To avoid a short to the logic board, be sure to place EMI gasket on camera cable—positioned precisely where shown—**after** cable is fully connected to logic board. Then, place black shim behind connector.





# Fan, Left

## First Steps

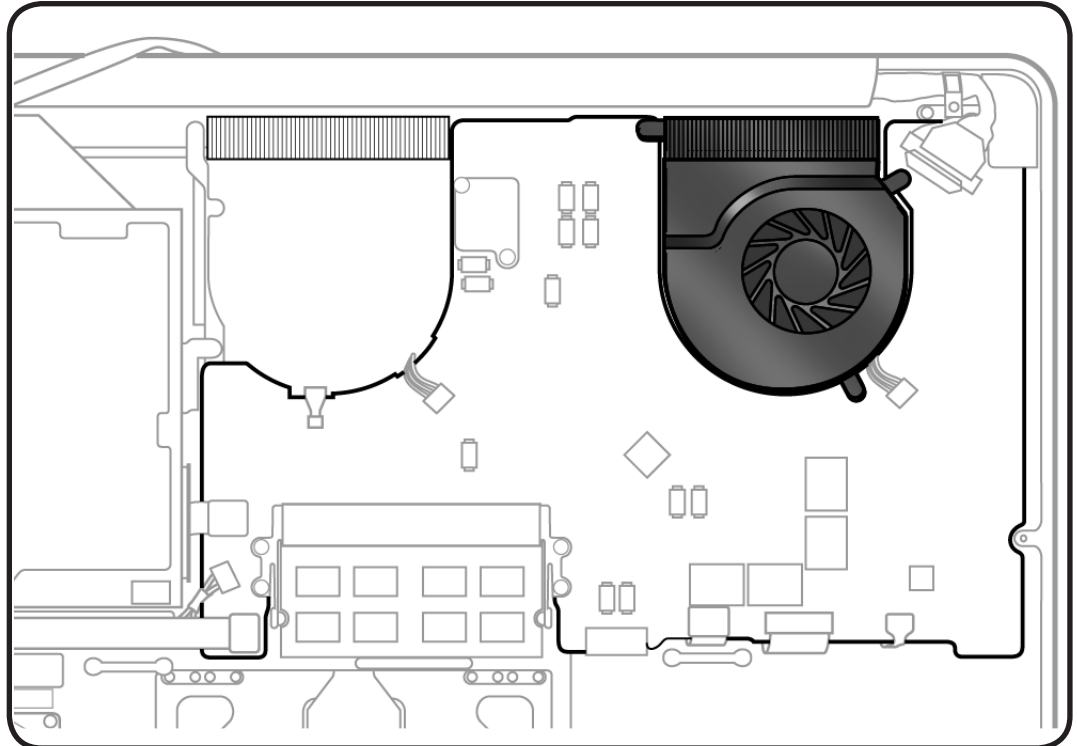
Remove:

- [Bottom case](#)
- [Battery](#)
- [Right fan](#)
- [LVDS cable guide](#)
- [Logic board](#)



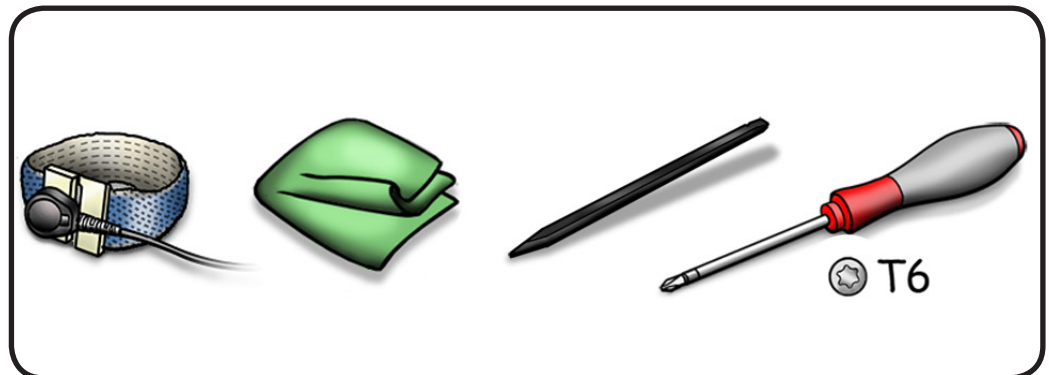
**Important:** Removal and replacement of the left fan from the logic board requires the [service fixture](#).

Failure to use the service fixture could damage components on the logic board.



## Tools

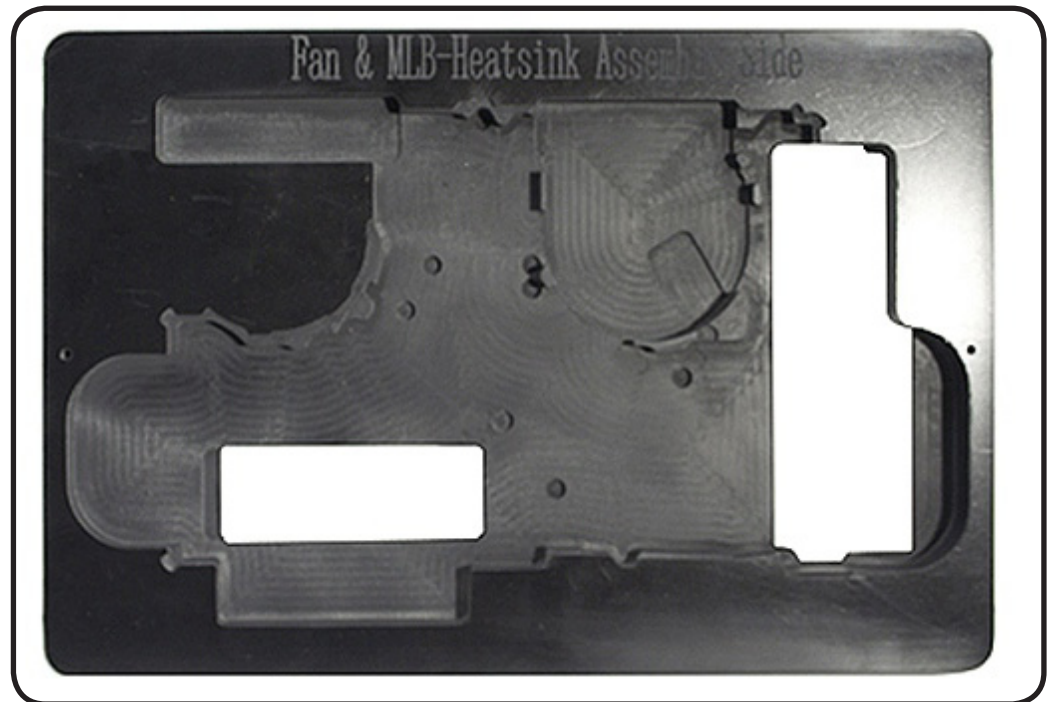
- Clean, soft, lint-free cloth
- ESD wrist strap and mat
- Service fixture
- Black stick
- Torx T6 screwdriver





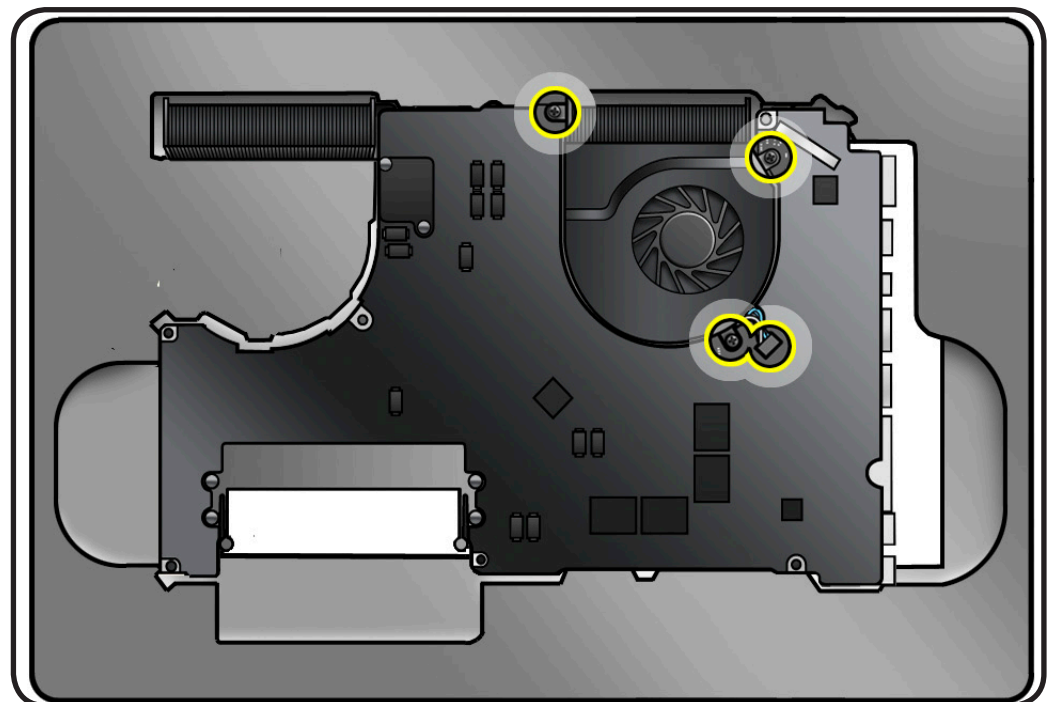
## Removal

- 1 Orient fixture to the “Fan & MLB Heatsink Assembly Side” of the fixture.
- 2 Remove memory, left speaker, and microphone.
- 3 Place the logic board onto the fixture.



- 4 Use a black stick to pry fan cable from logic board.
- 5 Remove 3 (T6) 922-9108 screws.

**Replacement Note:**  
Place logic board onto service fixture to replace fan screws. The fixture provides support to the logic board.





# Heatsink

## First Steps

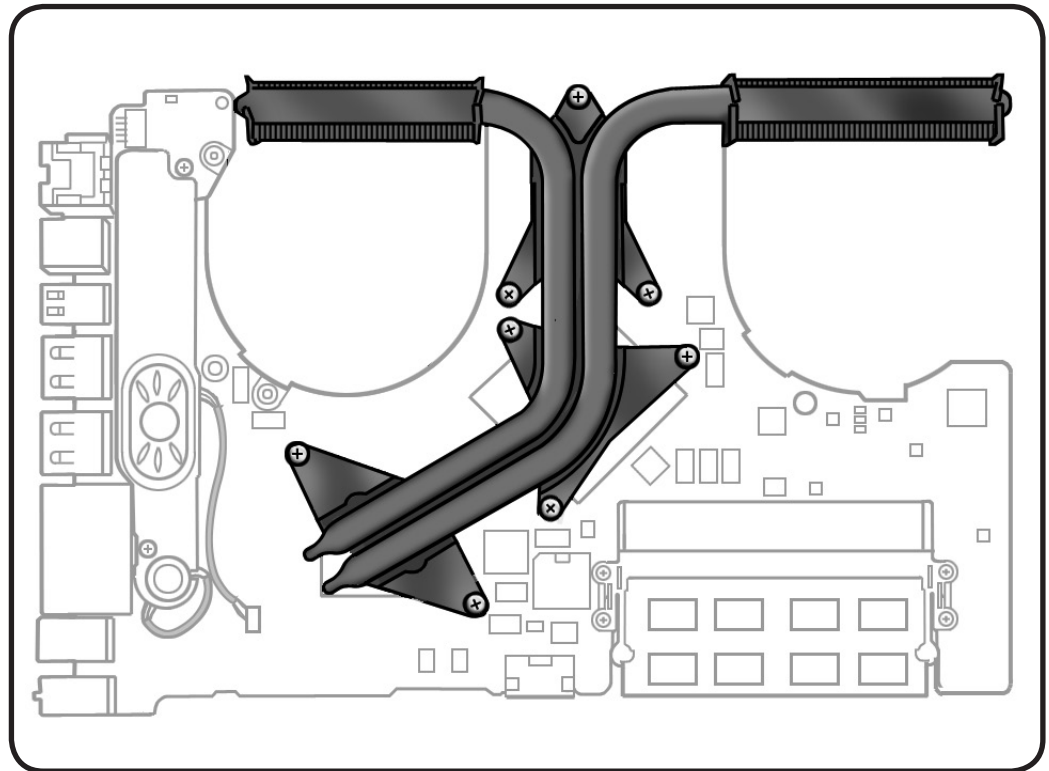
Remove:

- [Bottom case](#)
- [Battery](#)
- [Right fan](#)
- [LVDS cable guide](#)
- [Logic board](#)



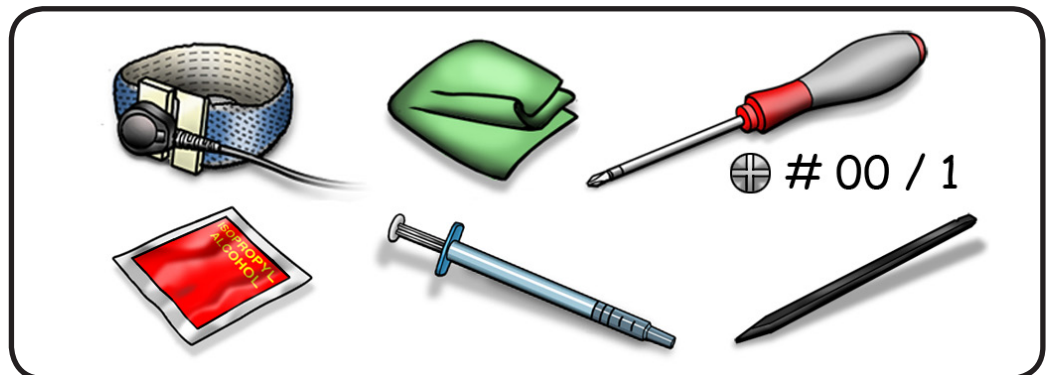
**Important:** Removal and replacement of the heatsink requires the [service fixture](#).

**Caution:** Failure to use the service fixture could damage components on the logic board.



## Tools

- Clean, soft, lint-free cloth
- ESD wrist strap and mat
- Magnetized Phillips #00 or #1 screwdriver
- Thermal grease syringe
- Alcohol pads
- Black stick





## Removal

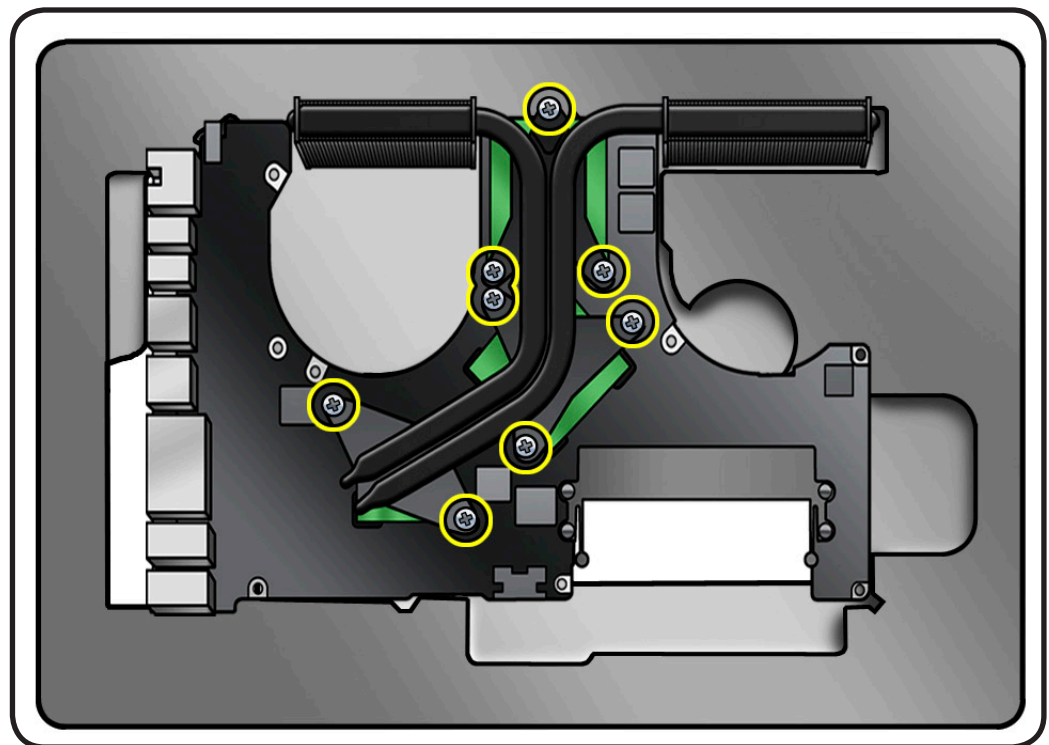
- 1 Orient fixture to the “Heatsink & MLB Assembly Side” of the service fixture.
- 2 Place logic board onto fixture with the heatsink facing you.



- 3 Remove 8 (8.39-mm) 922-8799 screws.
- 4 Keeping heatsink parallel to logic board, gently wiggle the heatsink to loosen the bond to the board.

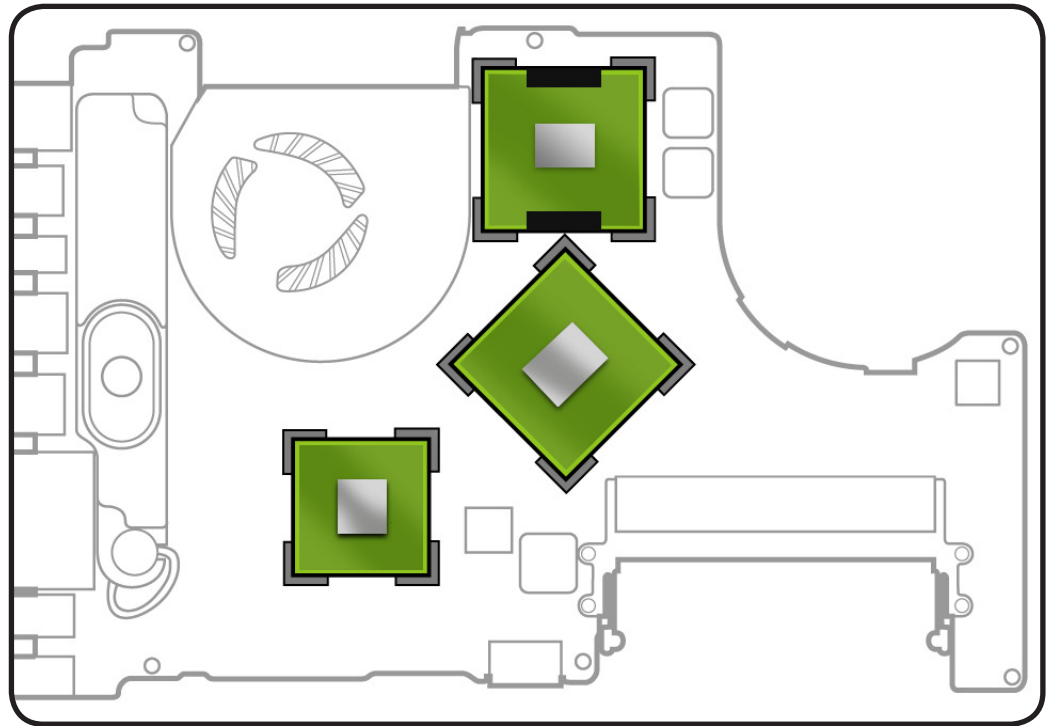


**Caution:** Hold heatsink by edges, not by the heat pipes:





- 5 With a black stick, scrape off thermal grease and use alcohol pad to clean thermal pads and microprocessors.

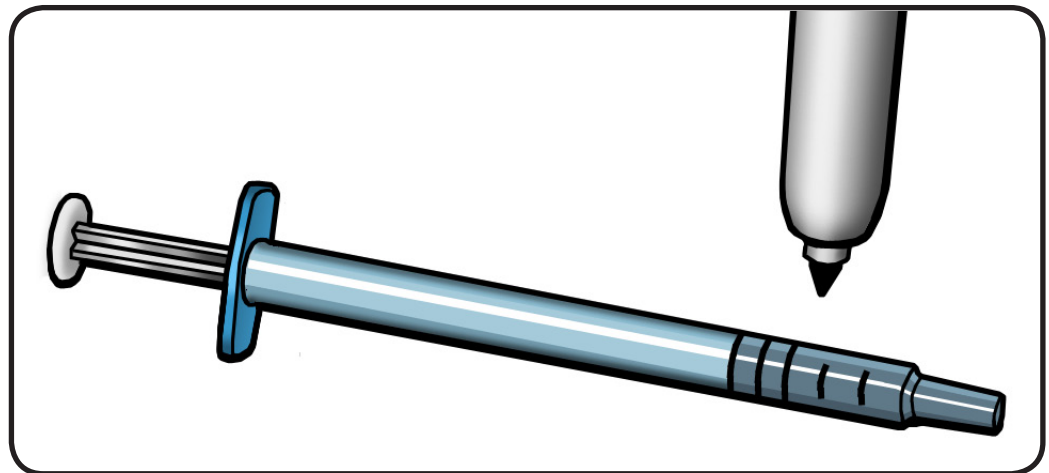


## Replacement

**Important:** New heatsinks include pre-applied thermal grease. Follow steps 1-2 only if re-installing the original heatsink.

- 1 **Caution:** The syringe contains enough thermal grease for 3 microprocessors.

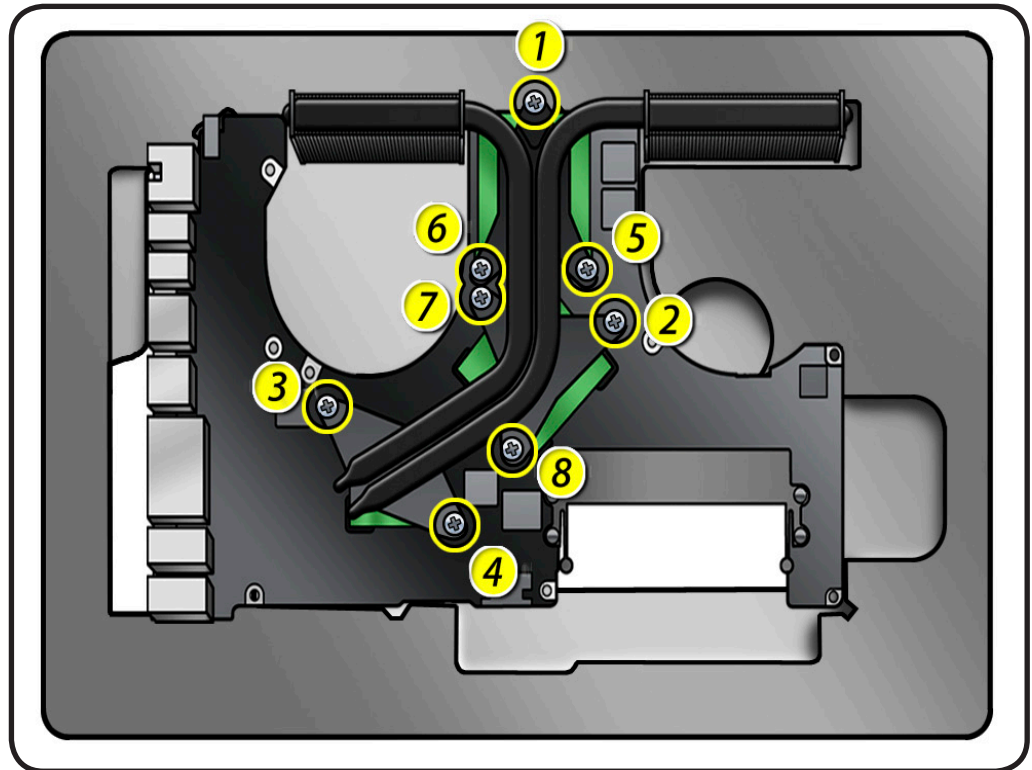
Use a pen to mark the syringe in thirds.







- 2 With the logic board on the service fixture, inject 1/3 of grease on the center of each microprocessor.
- 3 Lower the heatsink over the logic board.
- 4 Install heatsink screws in the order shown, 1/2 way first, then tighten the rest of the way.





# Trackpad

## First Steps

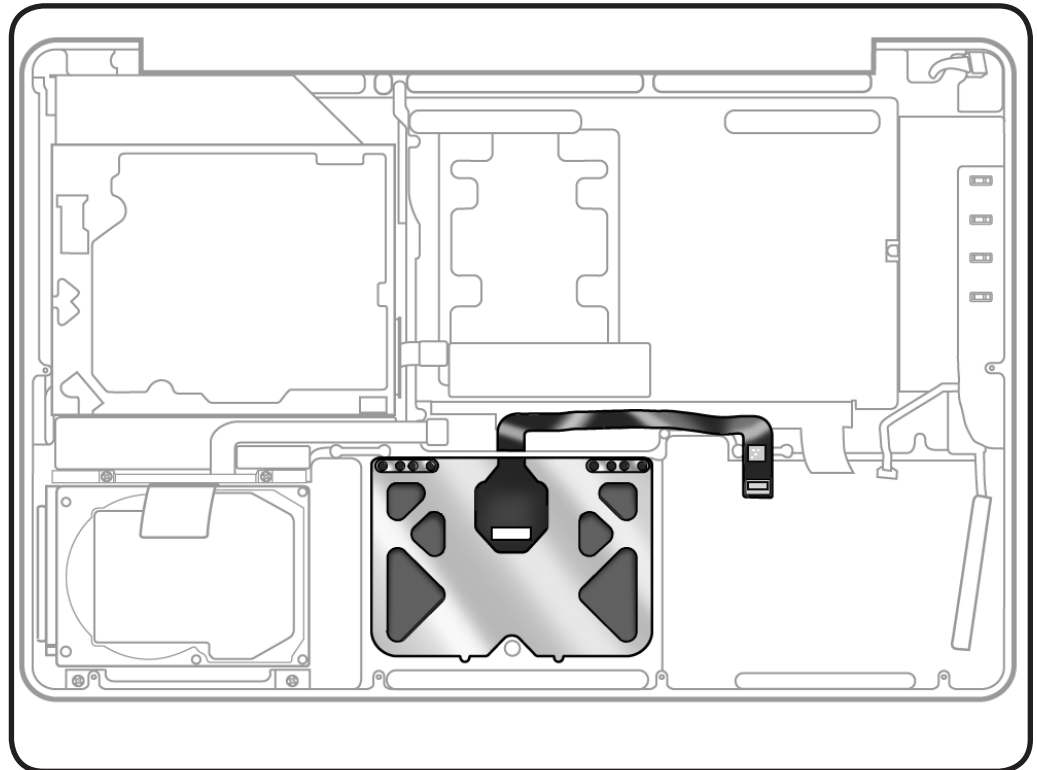
Remove:

- [Bottom case](#)
- [Battery](#)
- [Right fan](#)
- [LVDS cable guide](#)
- [Logic board](#)

### Trackpad Kit 922-9035

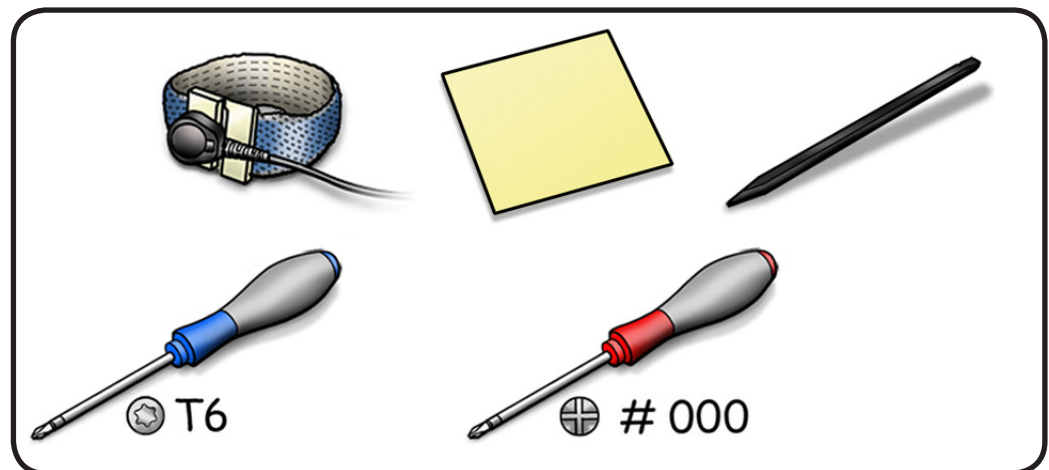
includes:

- trackpad
- 8 flexure screws
- 1 T6 set screw
- 2 metal flexures



## Tools

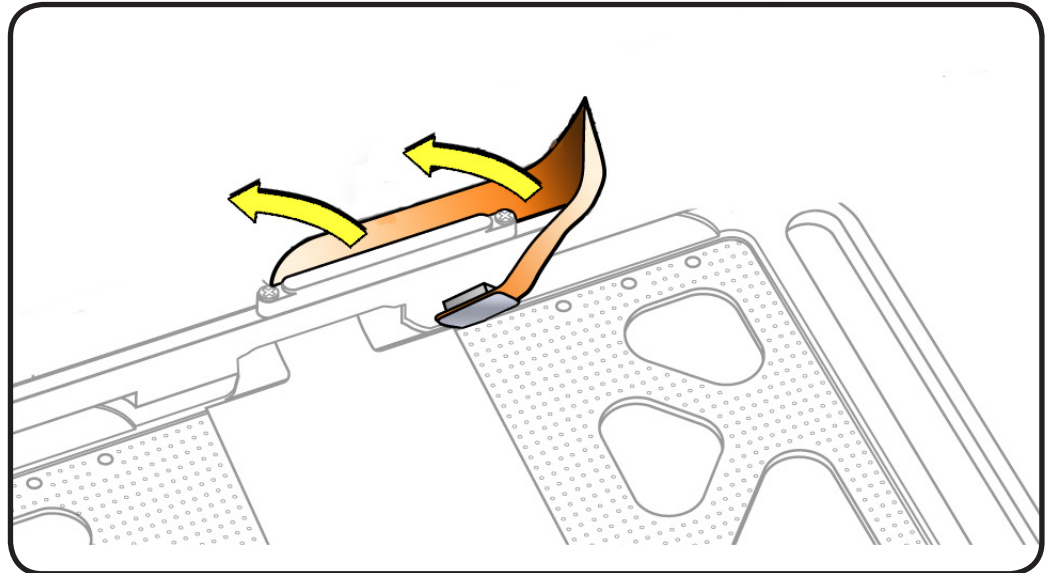
- ESD wrist strap and mat
- Sticky (Post-It) notes
- Black stick
- Magnetized Phillips #000 screwdriver
- Magnetized Torx T6 screwdriver





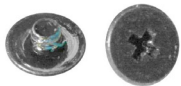
## Removal

- 1 Carefully peel up trackpad flex cable from top case.



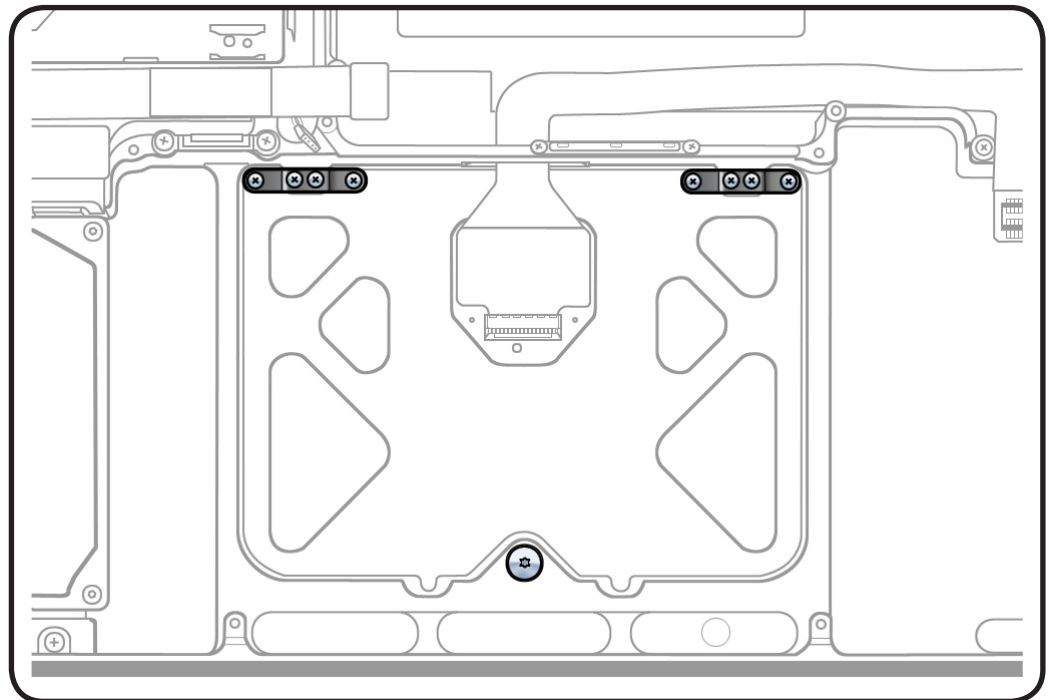
- 2 Remove 8 (1.2-mm) Phillips #000 screws:

Discard old screws; they lose their ability to hold securely if reused.



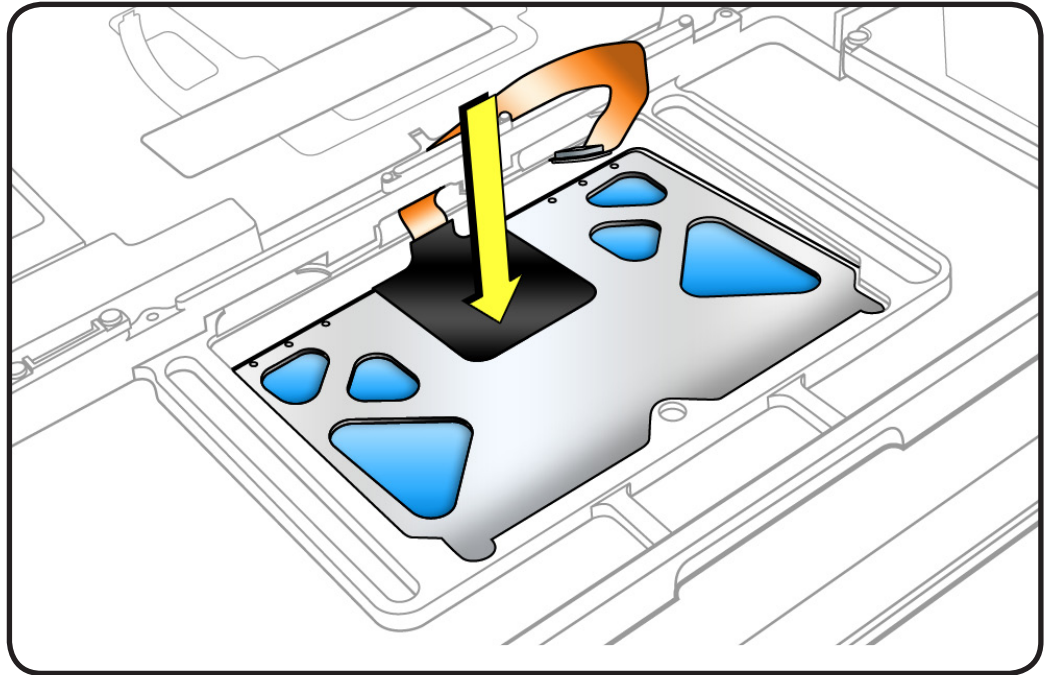
- 3 Remove 1 Torx T6 set screw. Discard old screw.

- 4 Remove and dispose of 2 metal flexures (thin metal pieces); they are matched to each individual trackpad by thickness.

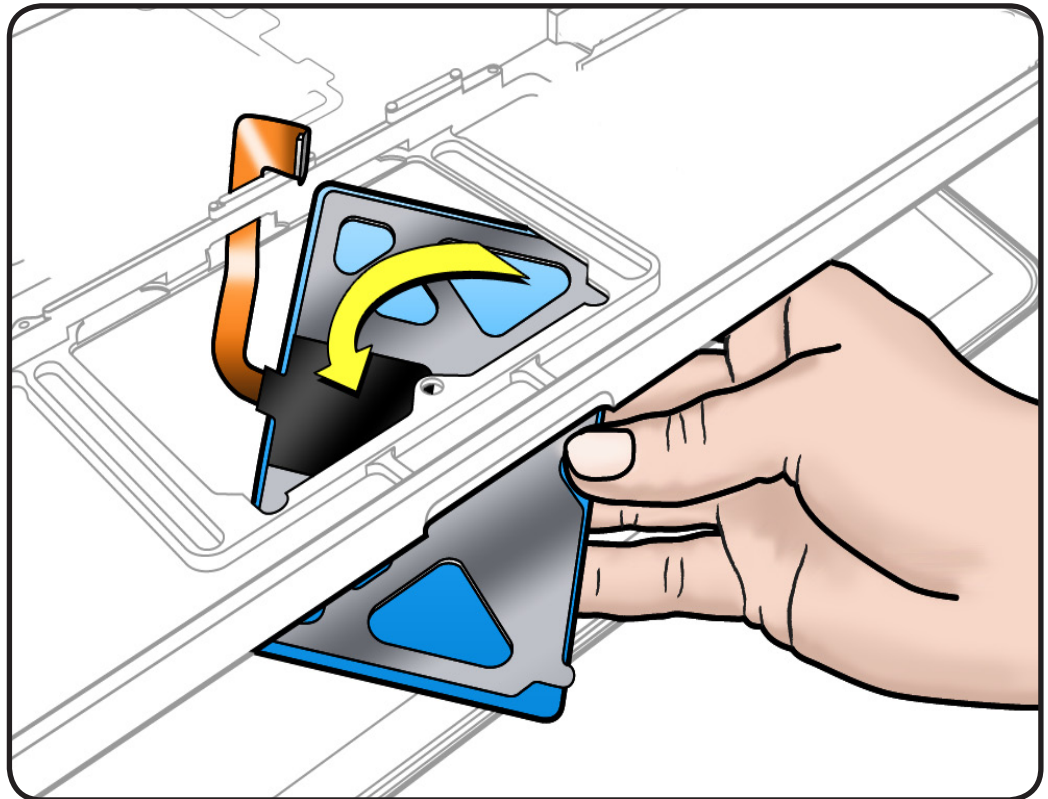




- 5** Support trackpad and flex cable as trackpad drops down out of top case.



- 6** Spiral trackpad down and away from top case, taking care to route flex cable through opening.

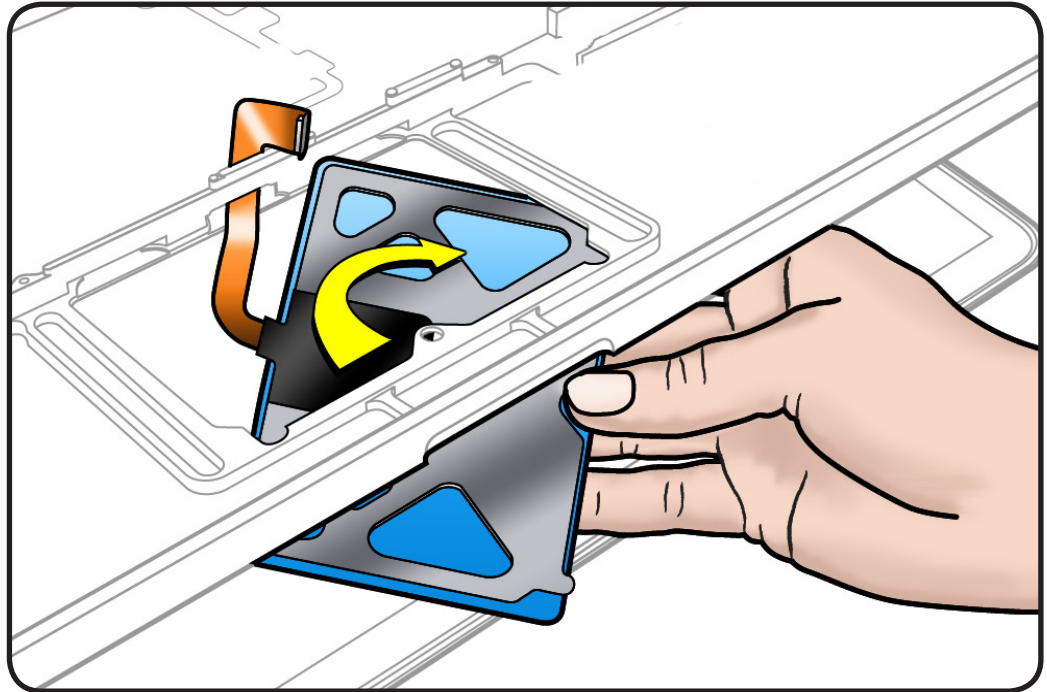




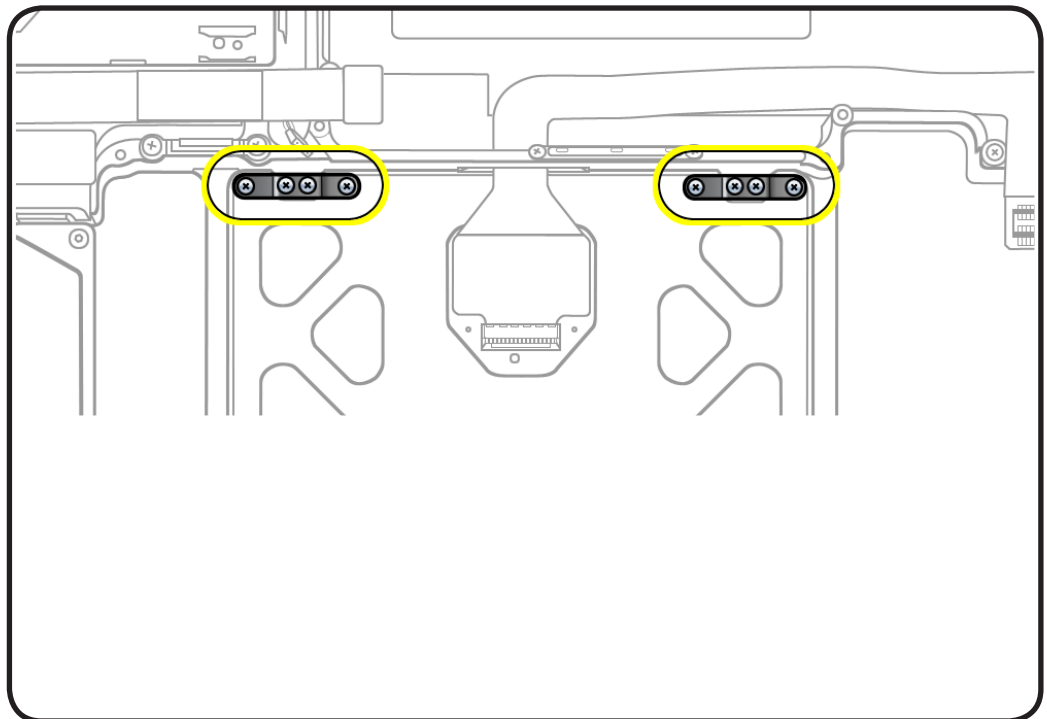
## Replacement

- 1 Route flex cable through opening.
- 2 Spiral and pivot trackpad into place.

**Important:** Minimize rubbing edges of trackpad against top case while installing. This could cause invisible cracks to form in the glass of the trackpad.

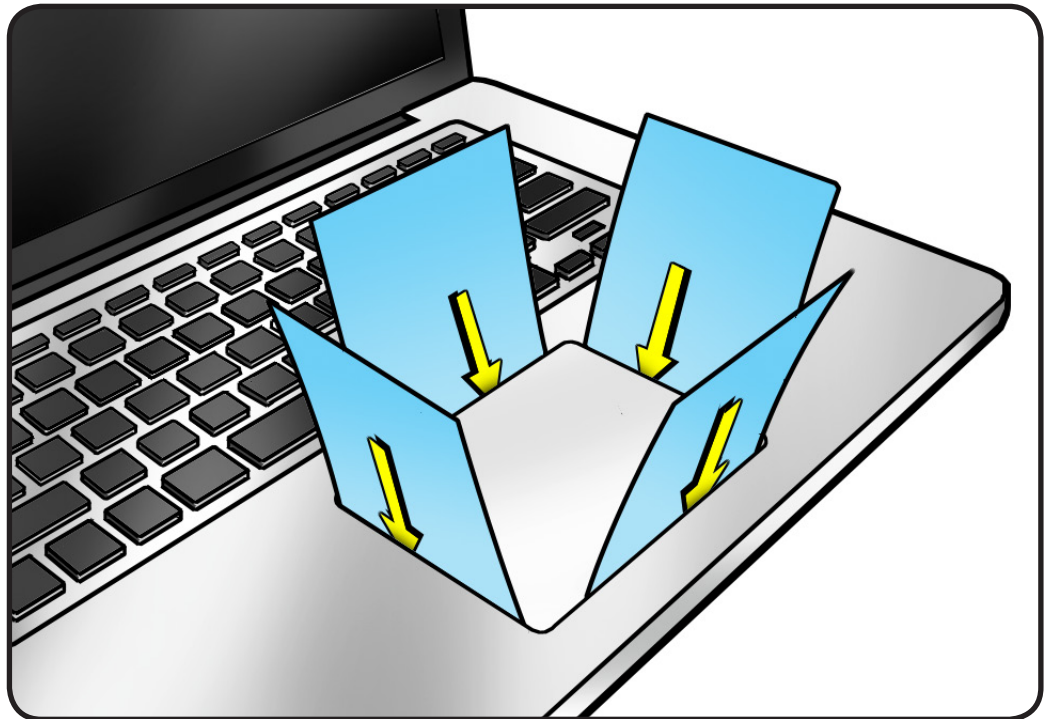


- 3 Loosely insert 8 short Phillips #000 screws into new flexures. Tighten a little bit.

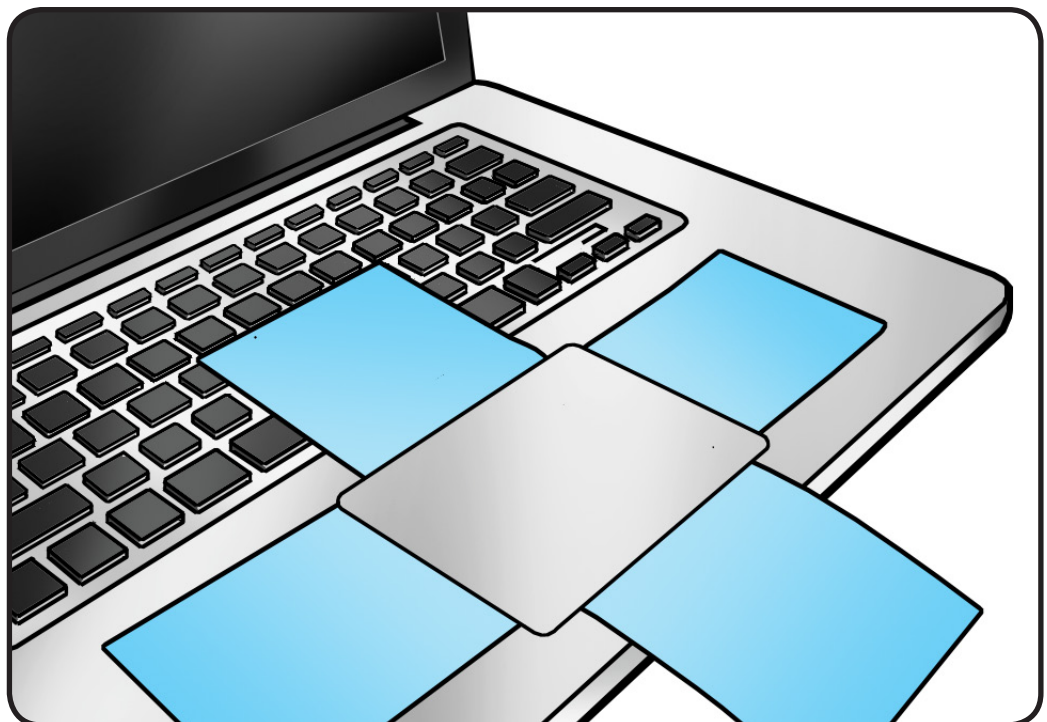




- 4** On the palm rest, insert one sticky (Post-It) note into gap on each of the four sides of trackpad.



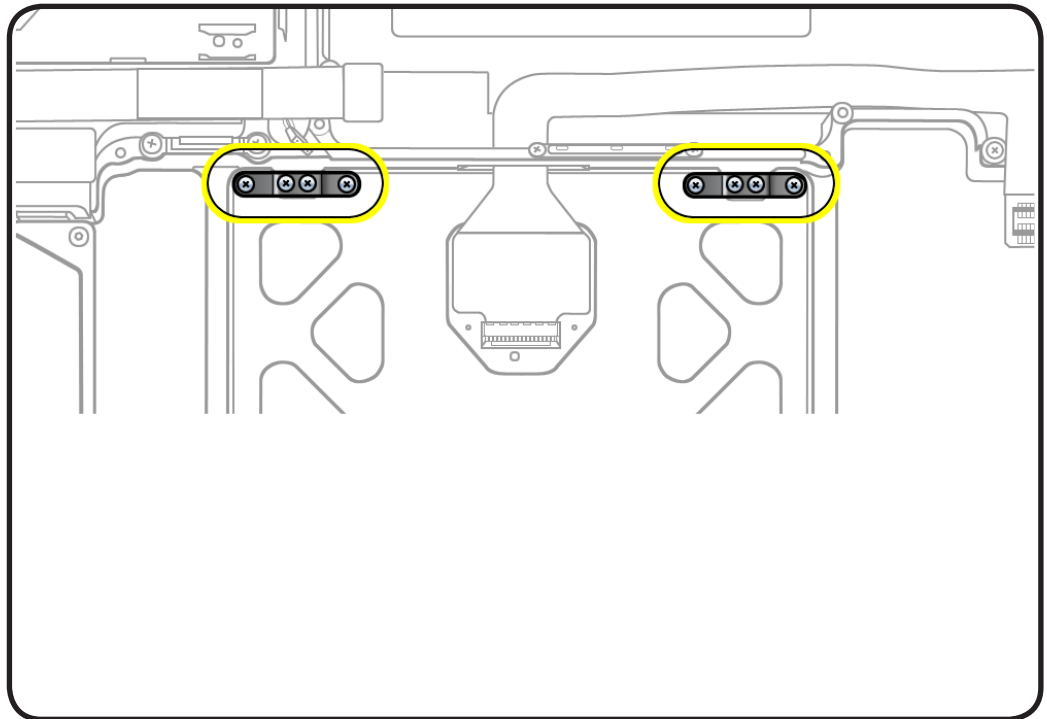
- 5** Fold sticky notes over so that top case can be laid flat.





**6** Turn top case over. Tighten 8 short Phillips #000 screws at flexures.

**7** Inspect that gaps between trackpad and top case are even on all sides. If not, loosen screws and adjust.

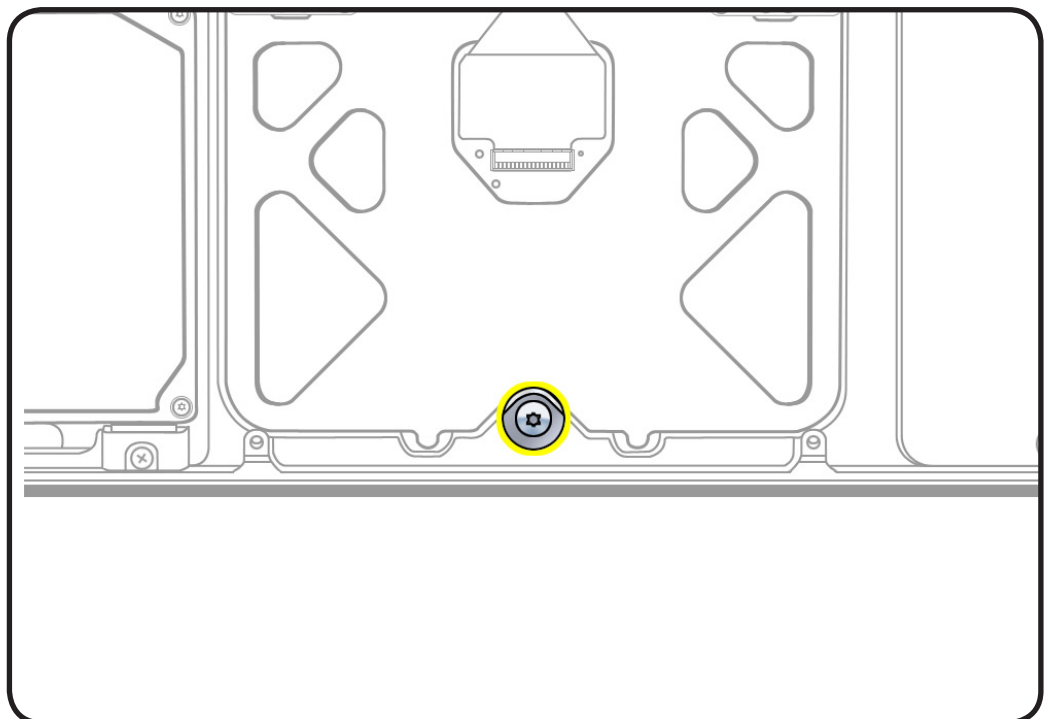


**8** Replace 1 T6 set screw.

**9** Slowly turn T6 set screw in small increments until trackpad has a normal clicking motion.

**Important:** Do not overtighten set screw or you may damage trackpad.

**10** Press trackpad flex cable into place on top case.



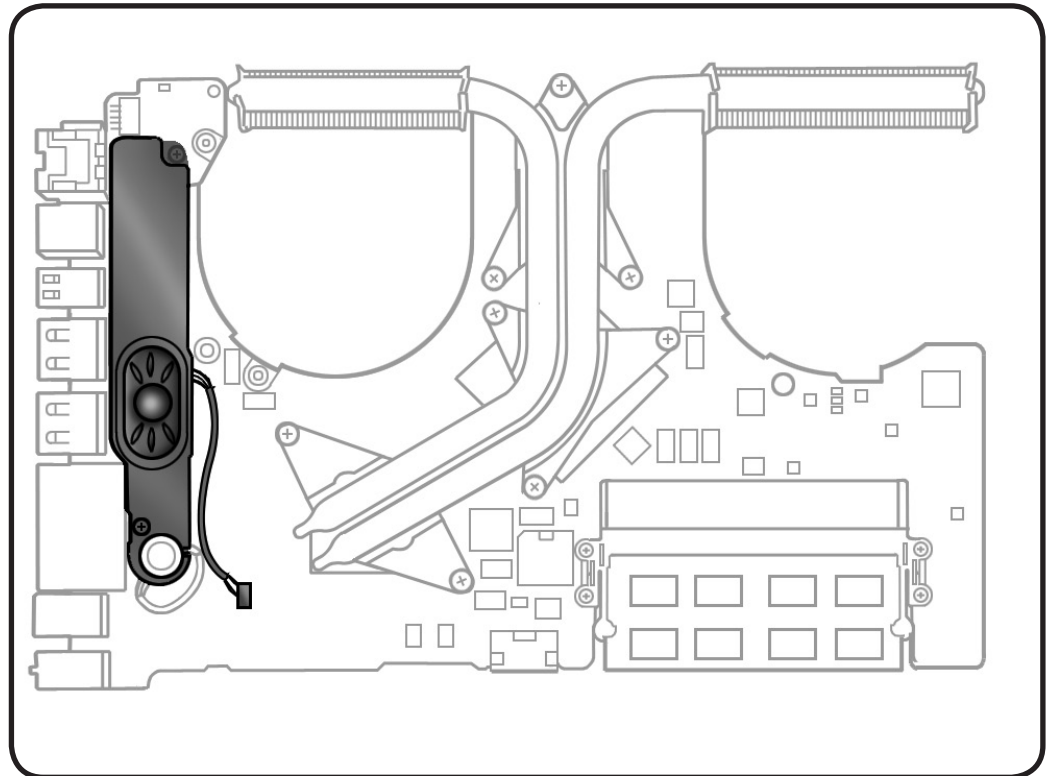


# Left Speaker

## First Steps

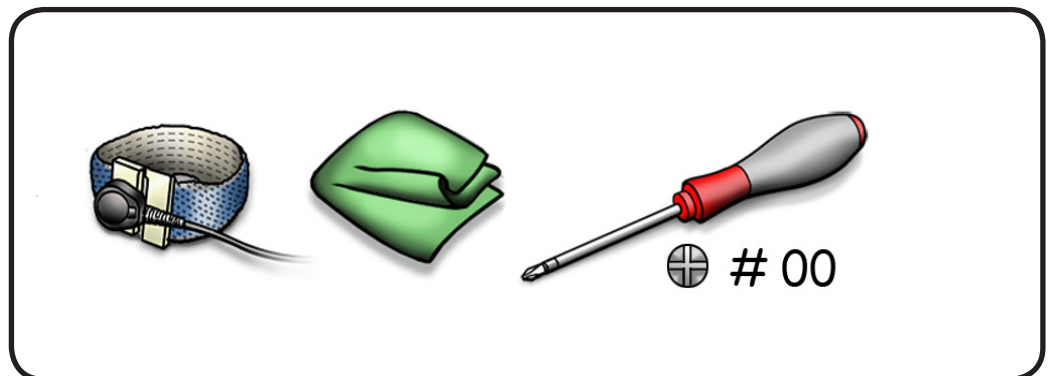
Remove:

- [Bottom case](#)
- [Battery](#)
- [Right fan](#)
- [LVDS cable guide](#)
- [Logic board](#)



## Tools

- Clean, soft, lint-free cloth
- ESD wrist strap and mat
- Magnetic Phillips #00 screwdriver



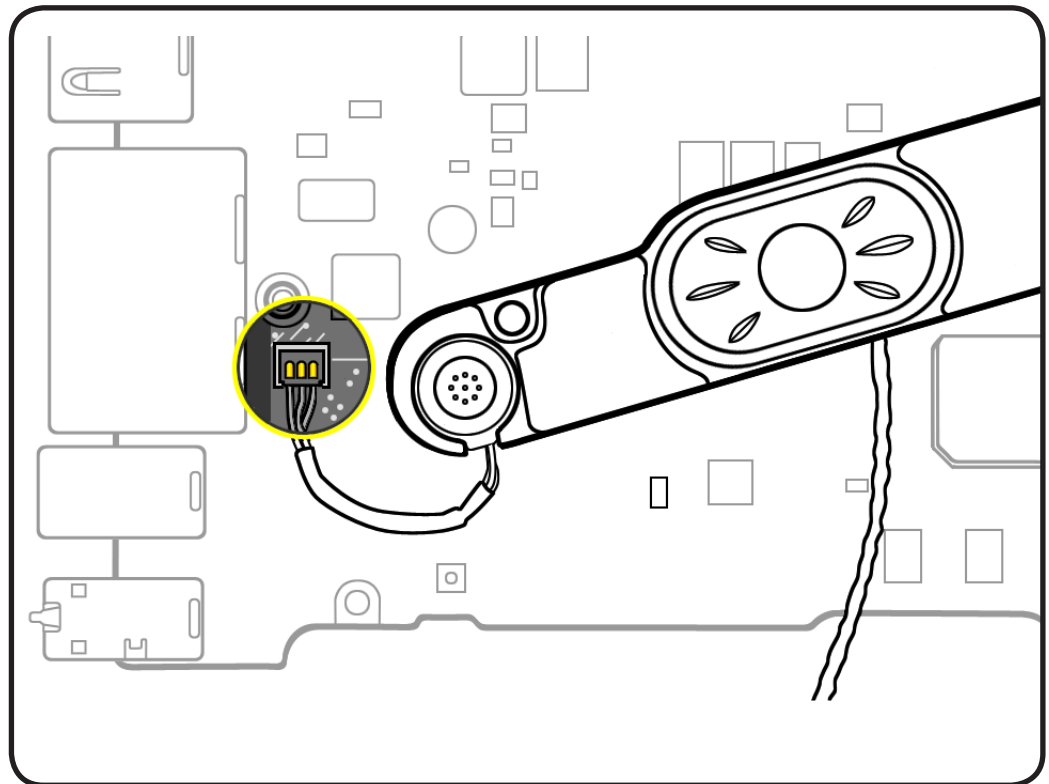
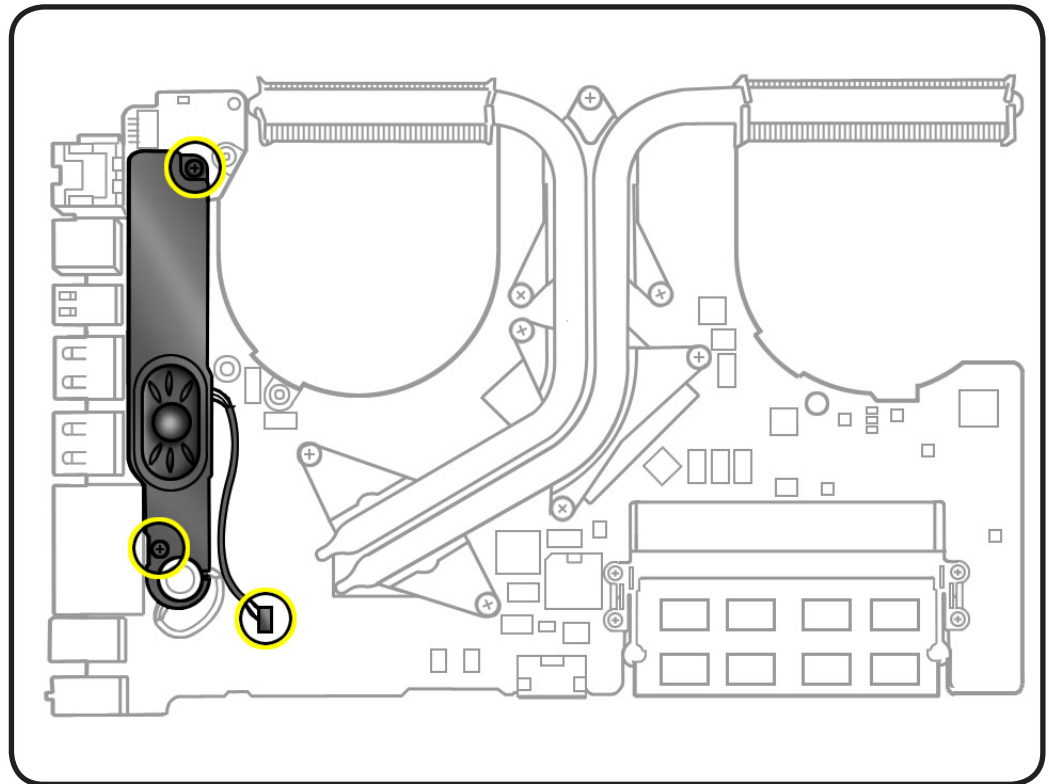




## Removal

- 1 Place logic board onto the [service fixture](#) to prevent flexing the board.
- 2 Peel back tape and disconnect speaker cable from logic board.
- 3 Remove 2 (4.5-mm) screws 922-8744.  
**Note:** Do not touch the soft speaker cone.
- 4 Disconnect microphone cable from logic board.
- 5 Remove speaker and microphone from top case.

**Replacement Note:** If you are replacing the speaker, transfer microphone to replacement speaker before installing new speaker.



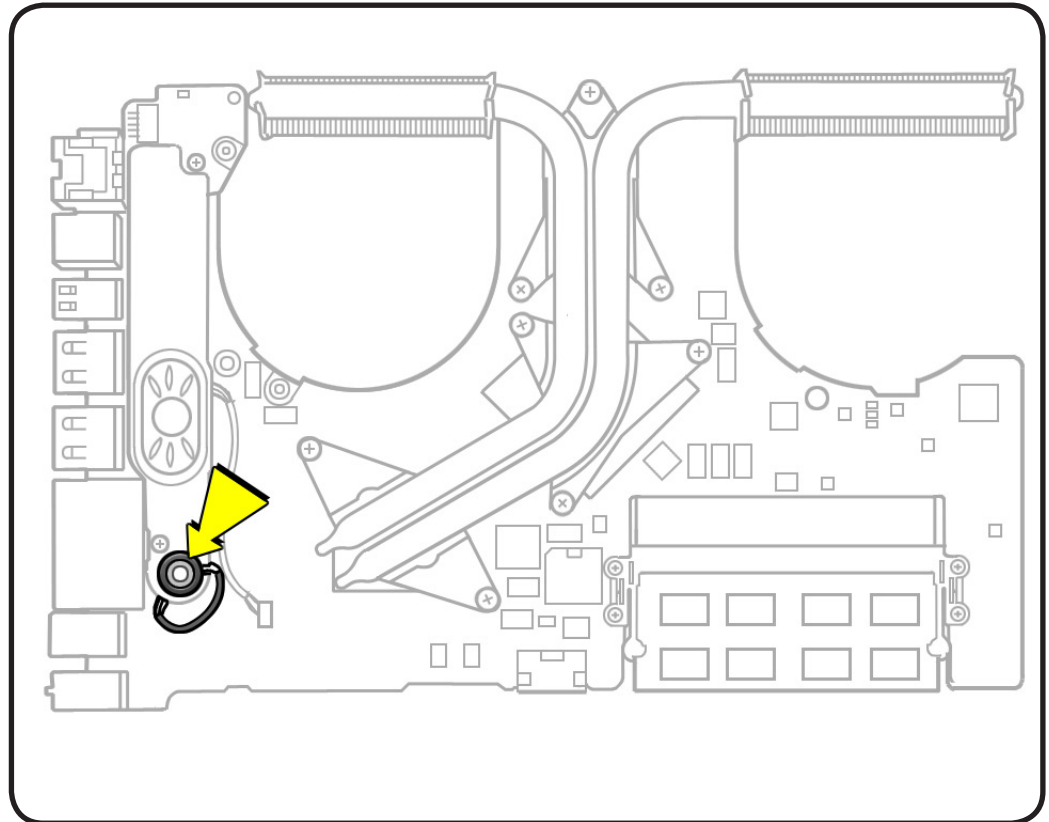


# Microphone

## First Steps

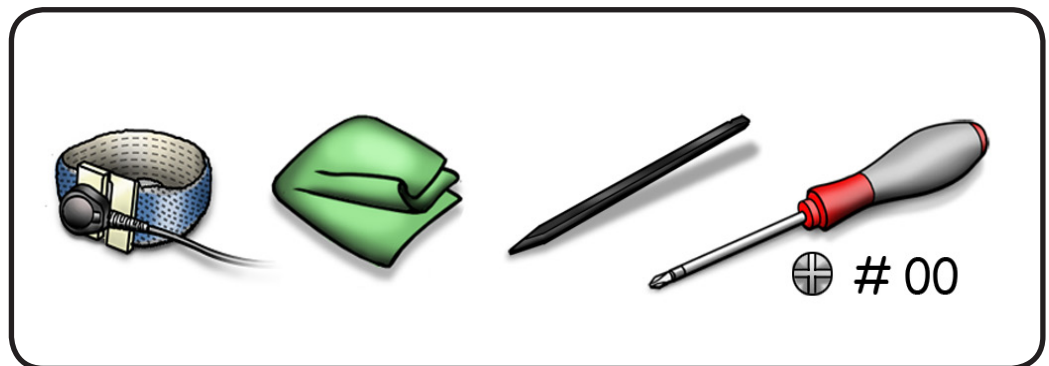
Remove:

- [Bottom case](#)
- [Battery](#)
- [Right fan](#)
- [LVDS cable guide](#)
- [Logic board](#)
- [Left speaker](#)



## Tools

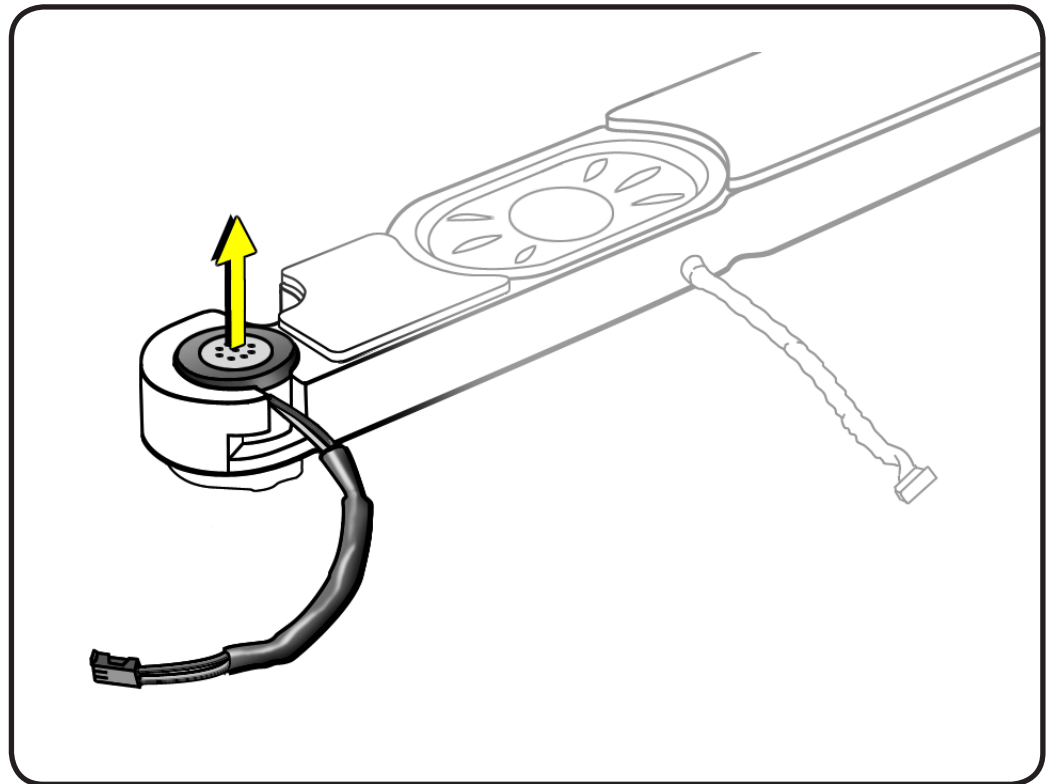
- Clean, soft, lint-free cloth
- ESD wrist strap and mat
- Magnetized Phillips #00 jeweler's screwdriver
- Black stick





## Removal

Use black stick to pry microphone cable from speaker assembly.



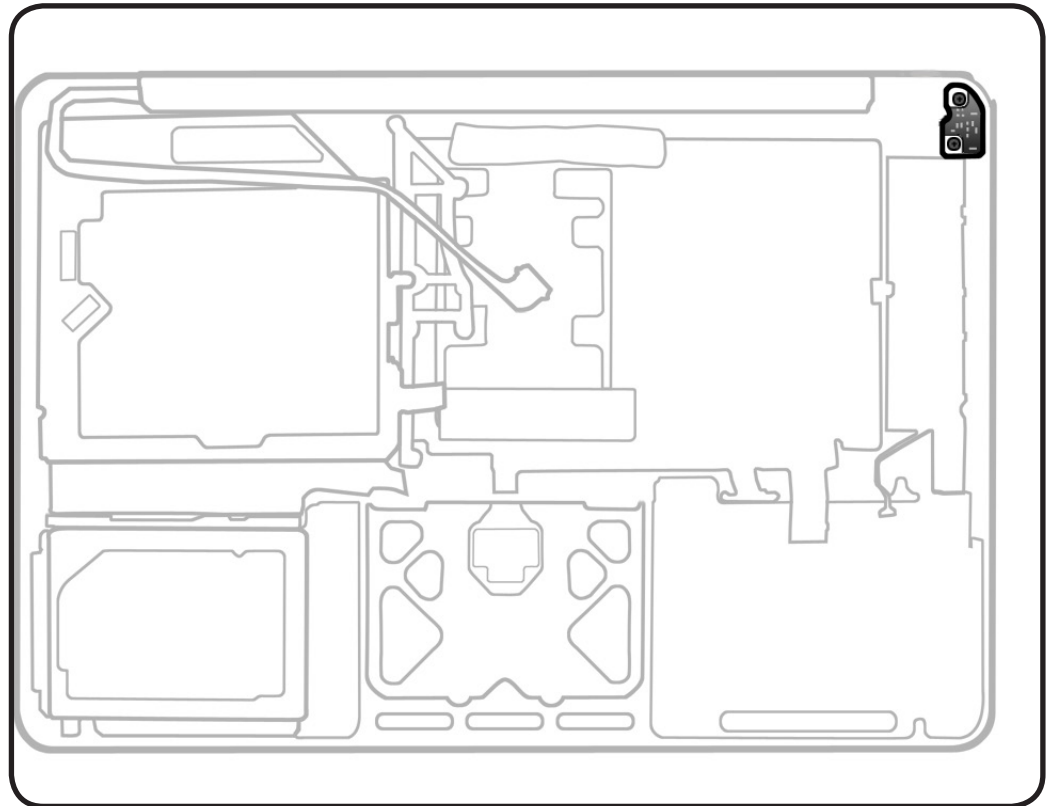


# MagSafe Board

## First Steps

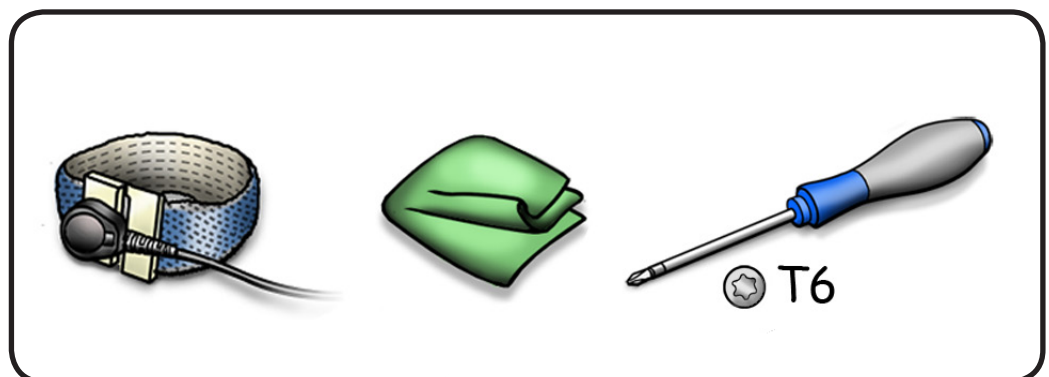
Remove:

- [Bottom case](#)
- [Battery](#)
- [Right fan](#)
- [LVDS cable guide](#)
- [Logic board](#)



## Totols

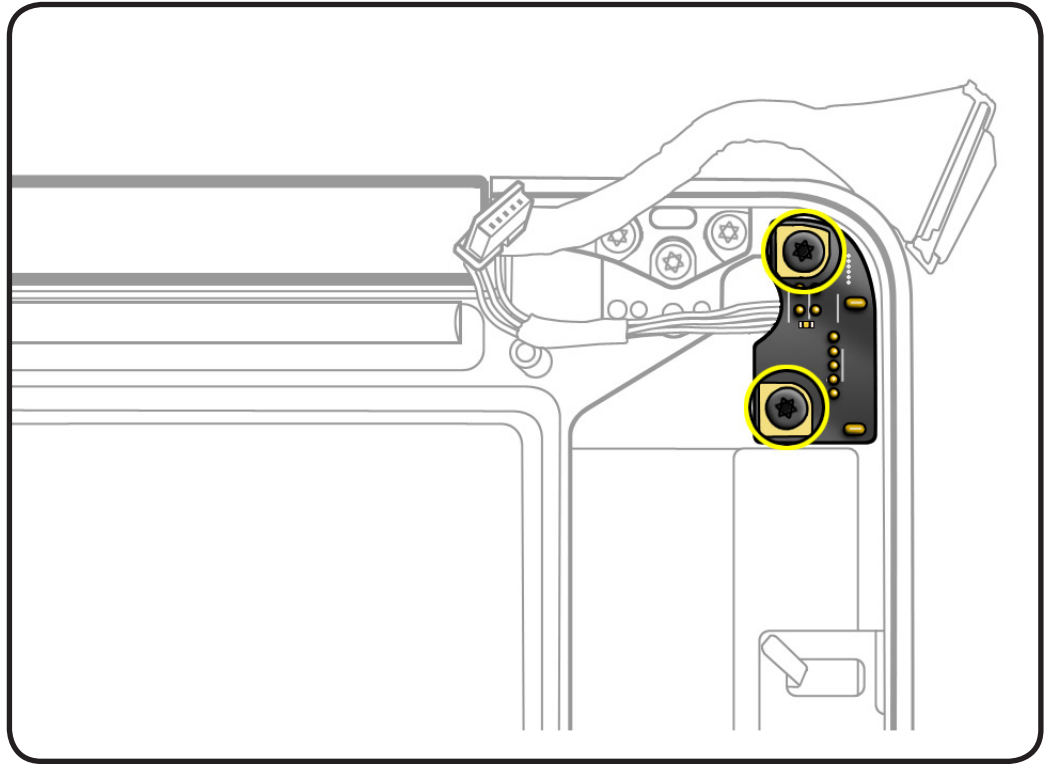
- Clean, soft, lint-free cloth
- ESD wrist strap and mat
- Magnetized Torx T6 screwdriver



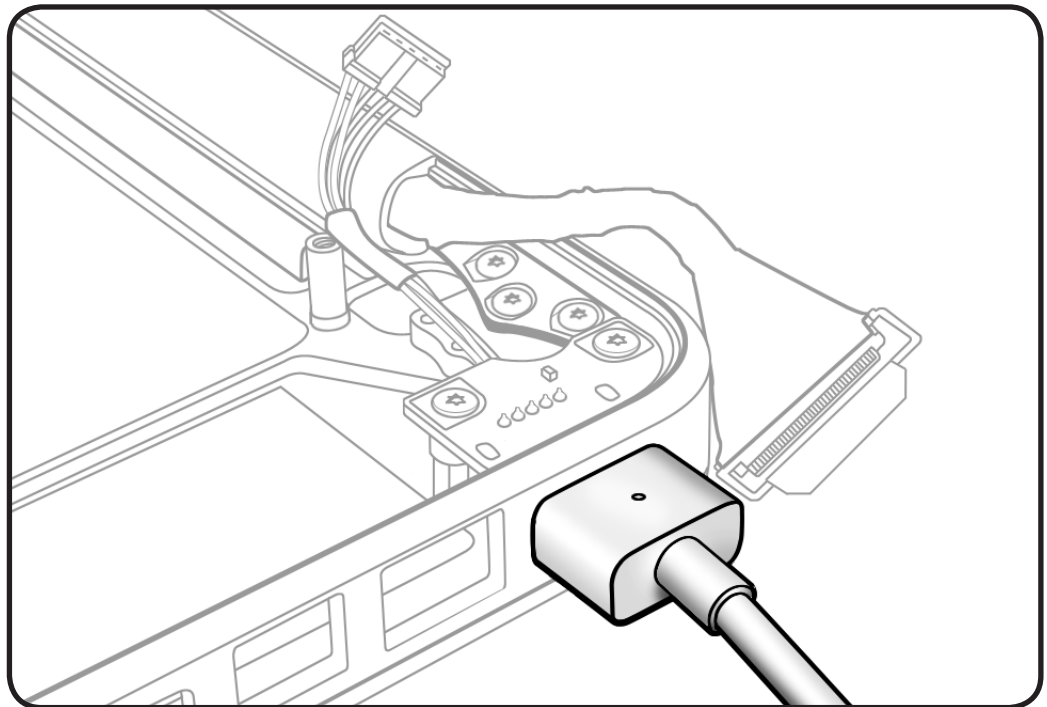


## Removal

- 1 Remove 2 torx T6 (922-9108) screws.
- 2 Remove MagSafe board from case.



**Replacement Note:** After installing the MagSafe screws, check the port connection by plugging in a disconnected power adapter cable. If the MagSafe port is off center, the cable will not plug in securely, and you must reinstall the MagSafe board.



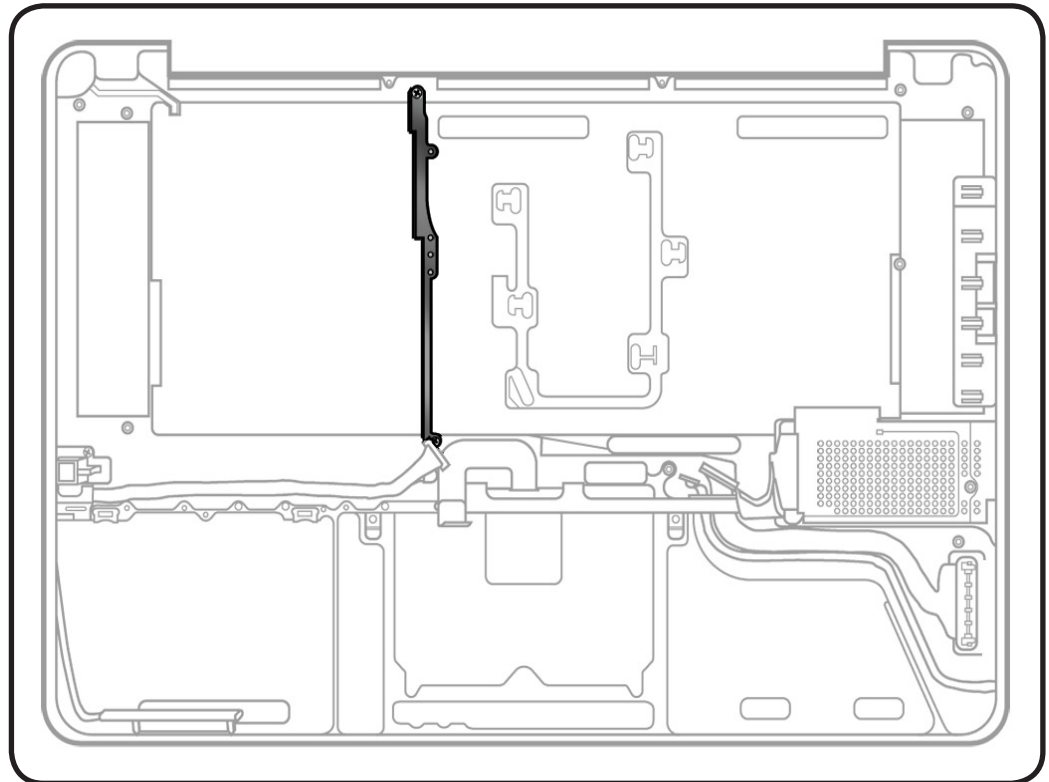


# Center Bracket

## First Steps

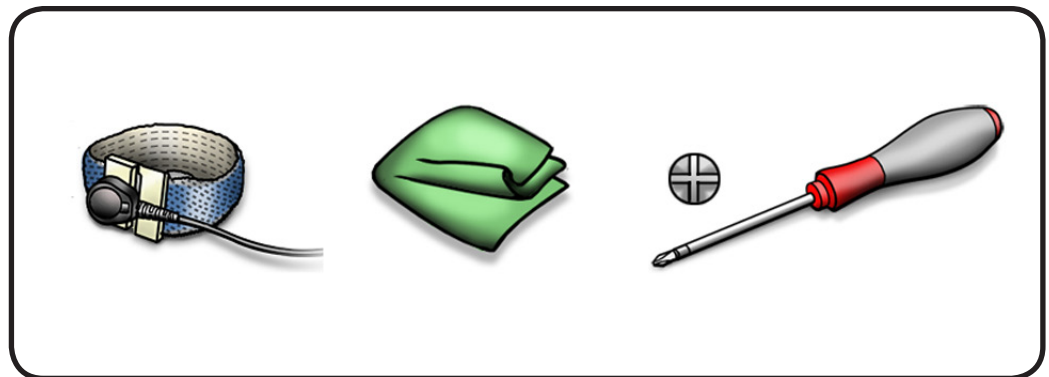
Remove:

- [Bottom case](#)
- [Battery](#)
- [Optical drive](#)
- [Right fan](#)
- [LVDS cable guide](#)
- [Logic board](#)



## Tools

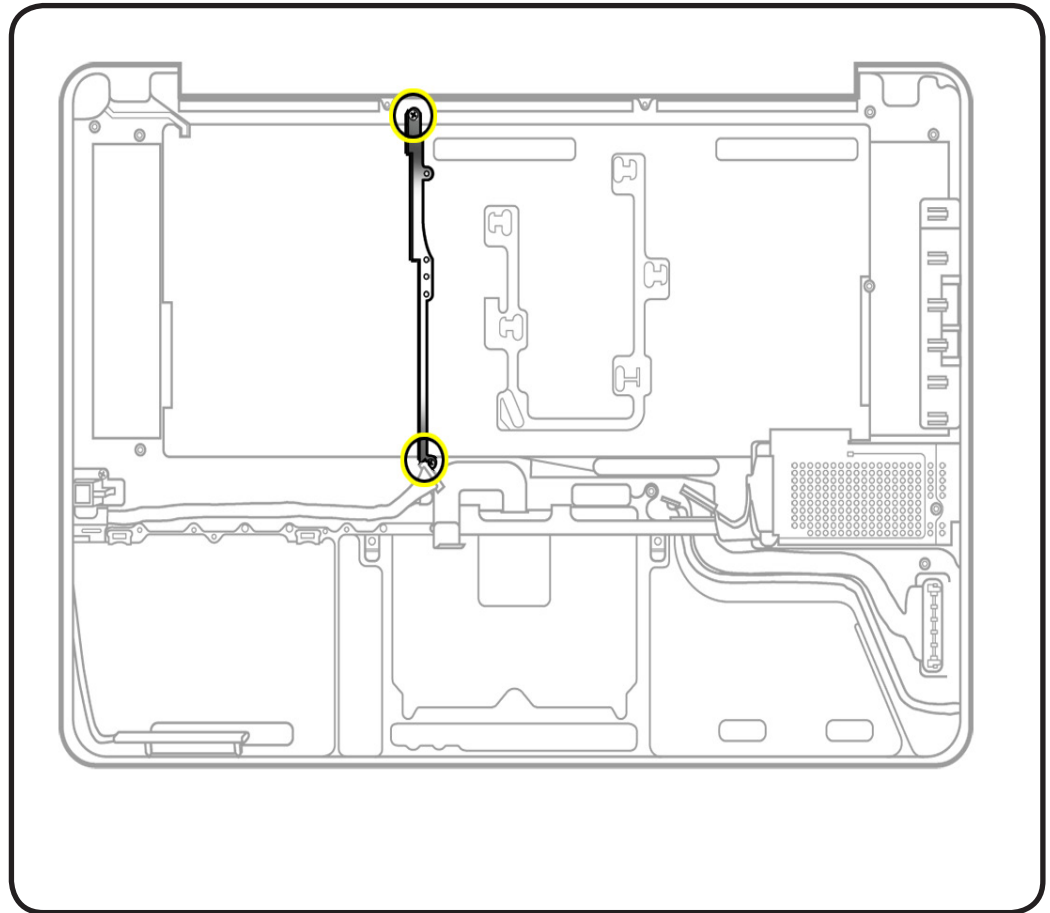
- Clean, soft, lint-free cloth
- ESD wrist strap and mat
- Magnetized Phillips #00 screwdriver





## Removal

- 1** Remove 2 screws:
  - 10-mm (922-8648)
  - 6.2-mm (922-8725)
- 2** Remove center bracket.



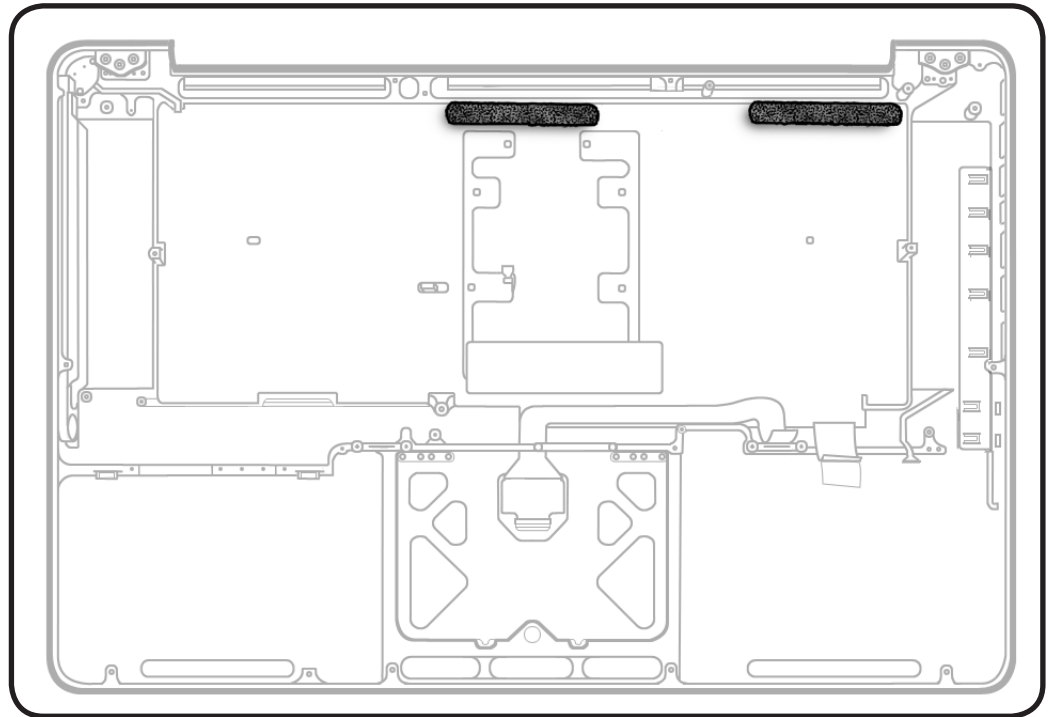


# Top Case

## First Steps

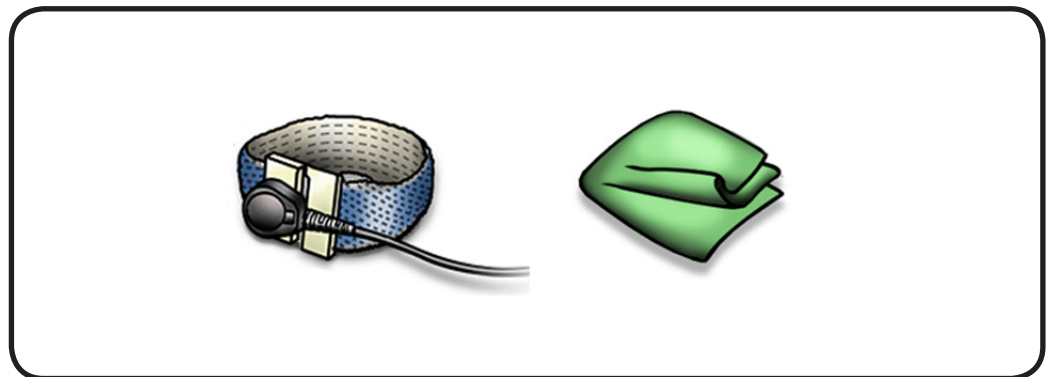
Remove:

- [Bottom case](#)
- [Battery](#)
- [Hard drive](#)
- [Hard drive/IR/sleep indicator cable](#)
- [Memory](#)
- [Camera cable guide](#)
- [LVDS cable guide](#)
- [Optical drive](#)
- [Right speaker](#)
- [Left fan](#)
- [Logic board](#)
- [Display assembly](#)
- [MagSafe board](#)
- [Center bracket](#)



## Tools

- Clean, soft, lint-free cloth
- ESD wrist strap



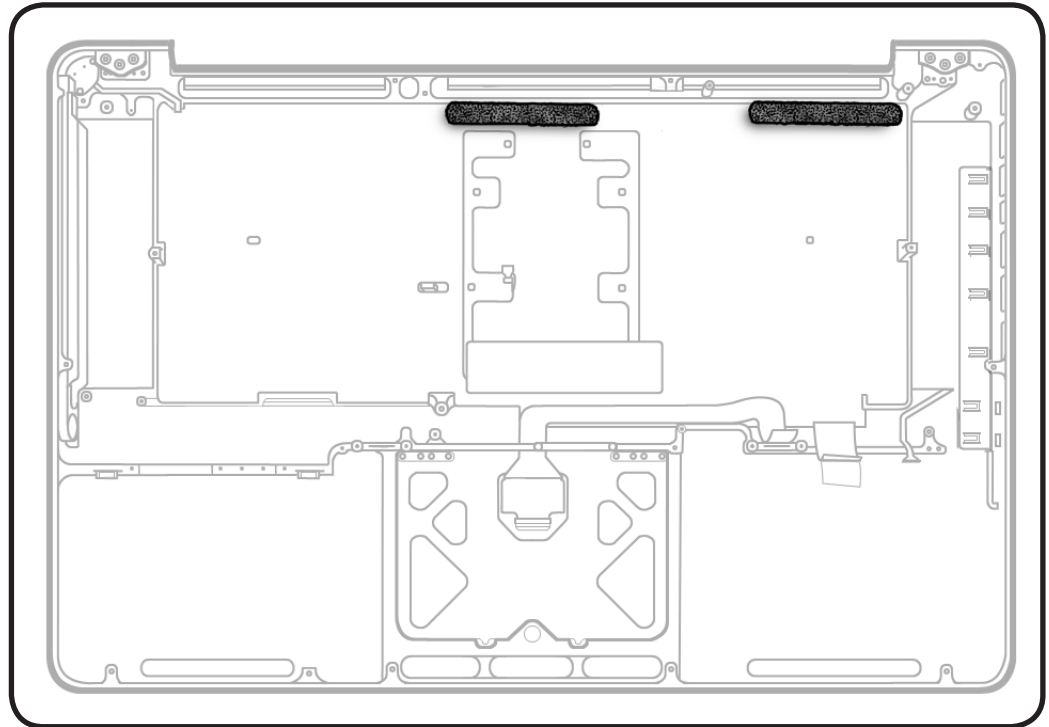




## Removal

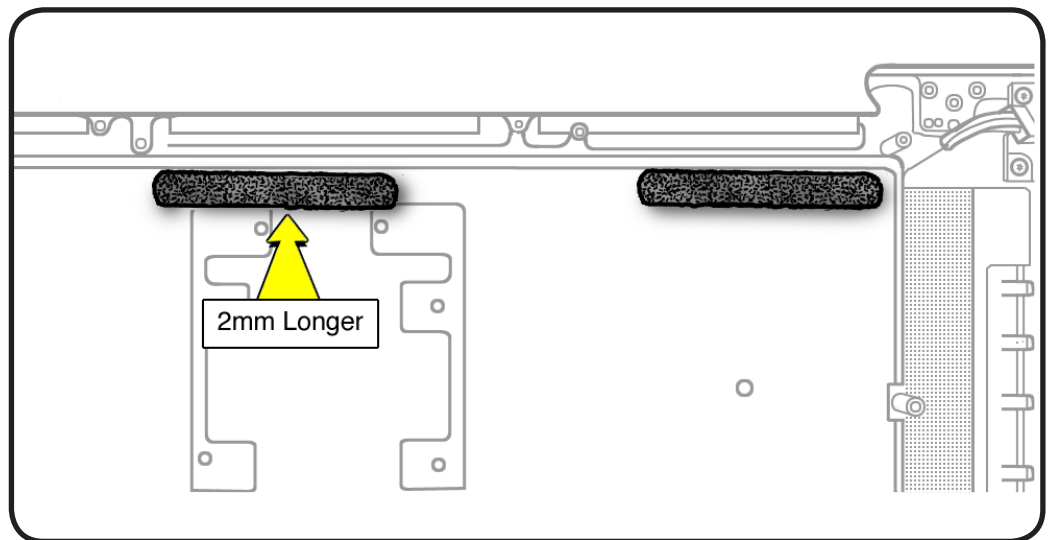
With the first steps completed, the top case with keyboard is the remaining part.

**Note:** Before installing a replacement top case, see [Note on Foam](#) in the [Right Speaker/Subwoofer take-apart](#) topic.



**Replacement Note:** Three small foam pads are included with the new top case. Before reassembling the case, install the two narrow pads as illustrated. You may discard the other pad.

Install the longer foam pad on the left, as illustrated.



**Replacement Note:** Transfer the following 2 parts to the new top case before transferring the logic board:

- Center bracket
- MagSafe board

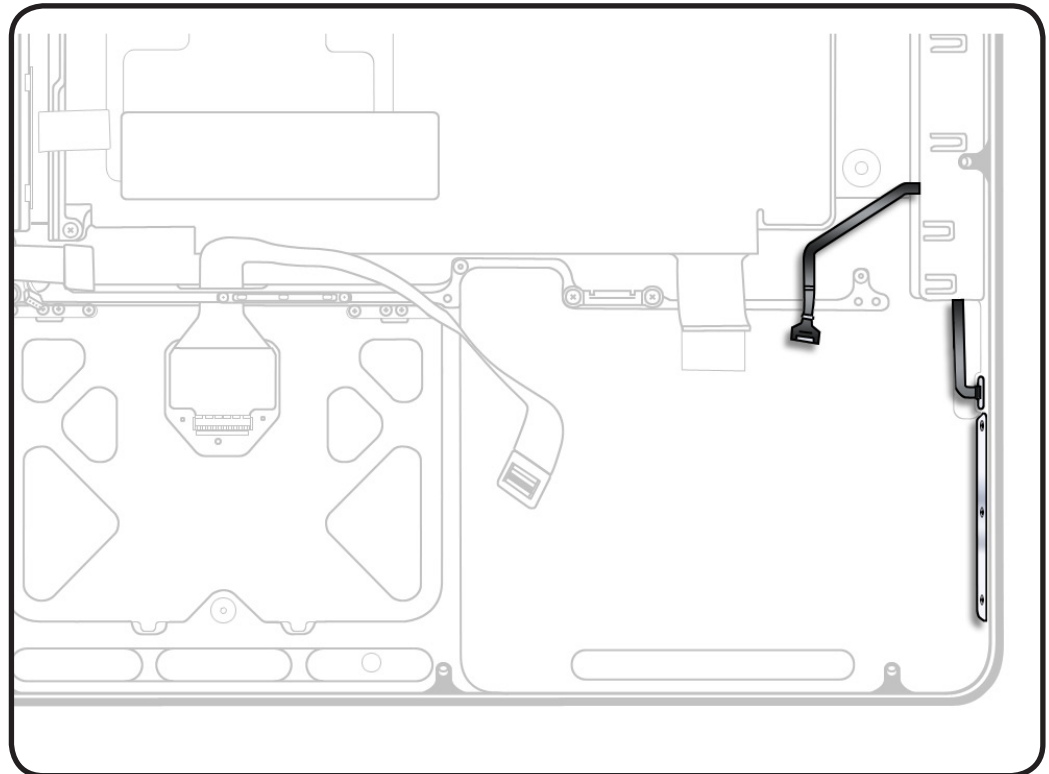


# Battery Indicator Light Cable and Board

## First Steps

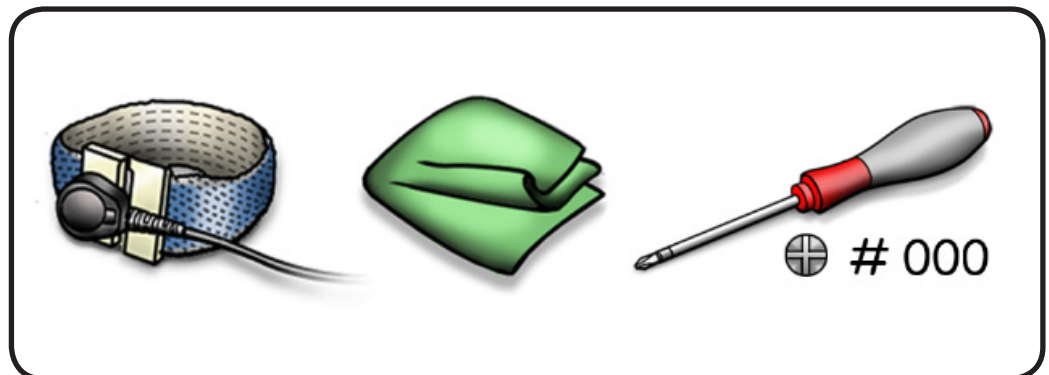
Remove:

- [Bottom case](#)
- [Battery](#)
- [Right fan](#)
- [LVDS cable guide](#)
- [Logic board](#)



## Tools

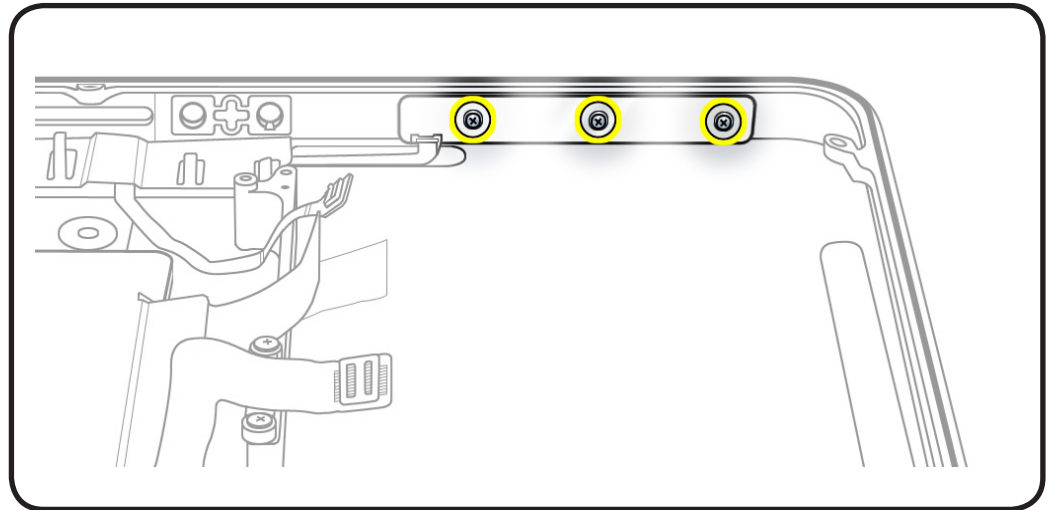
- Clean, soft, lint-free cloth
- ESD wrist strap and mat
- Magnetized Phillips #000 screwdriver
- service fixture
- Black stick





## Removal

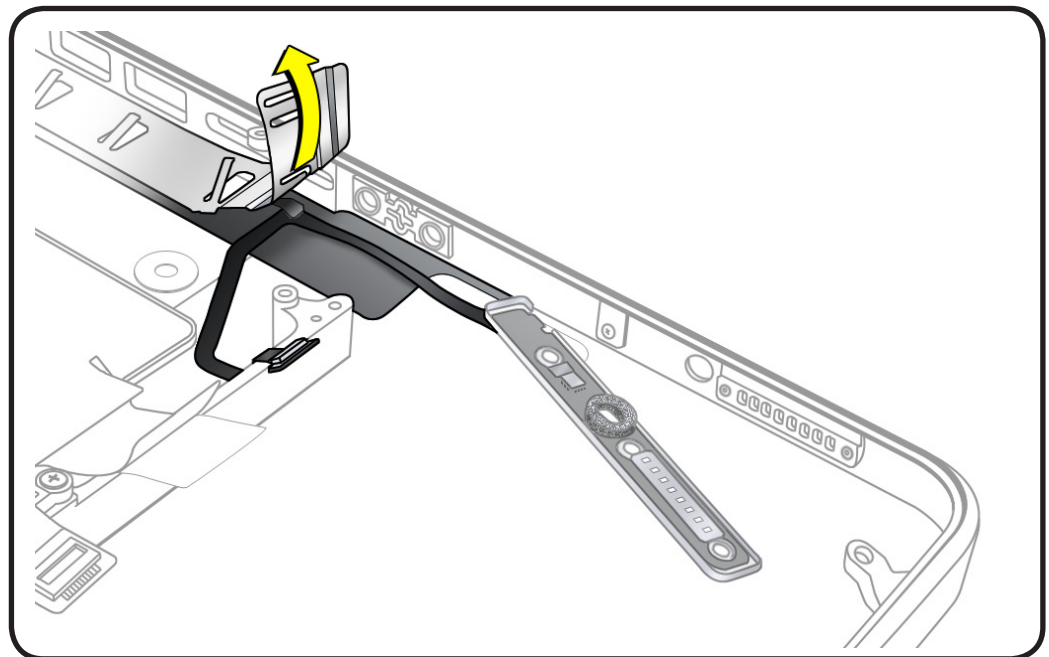
- 1 Place tape over battery button on outside of top case to prevent losing the button.
- 2 Remove 3 (2-mm) 922-9069 screws.



- 3 Using a black stick, pry back the EMI spring shield to access the BIL cable.

**Note:** If replacing the BIL board, discard the bent EMI spring shield. Install new shield that came with BIL assembly.

- 4 Peel the cable off the top housing.



### Replacement Note:

Before replacing the BIL board, check that:

- the long rubber gasket is assembled on top of the LEDs
- the BIL button is installed in the top case
- the EMI spring shield is installed

---

# **Apple Technician Guide**

## **Views**

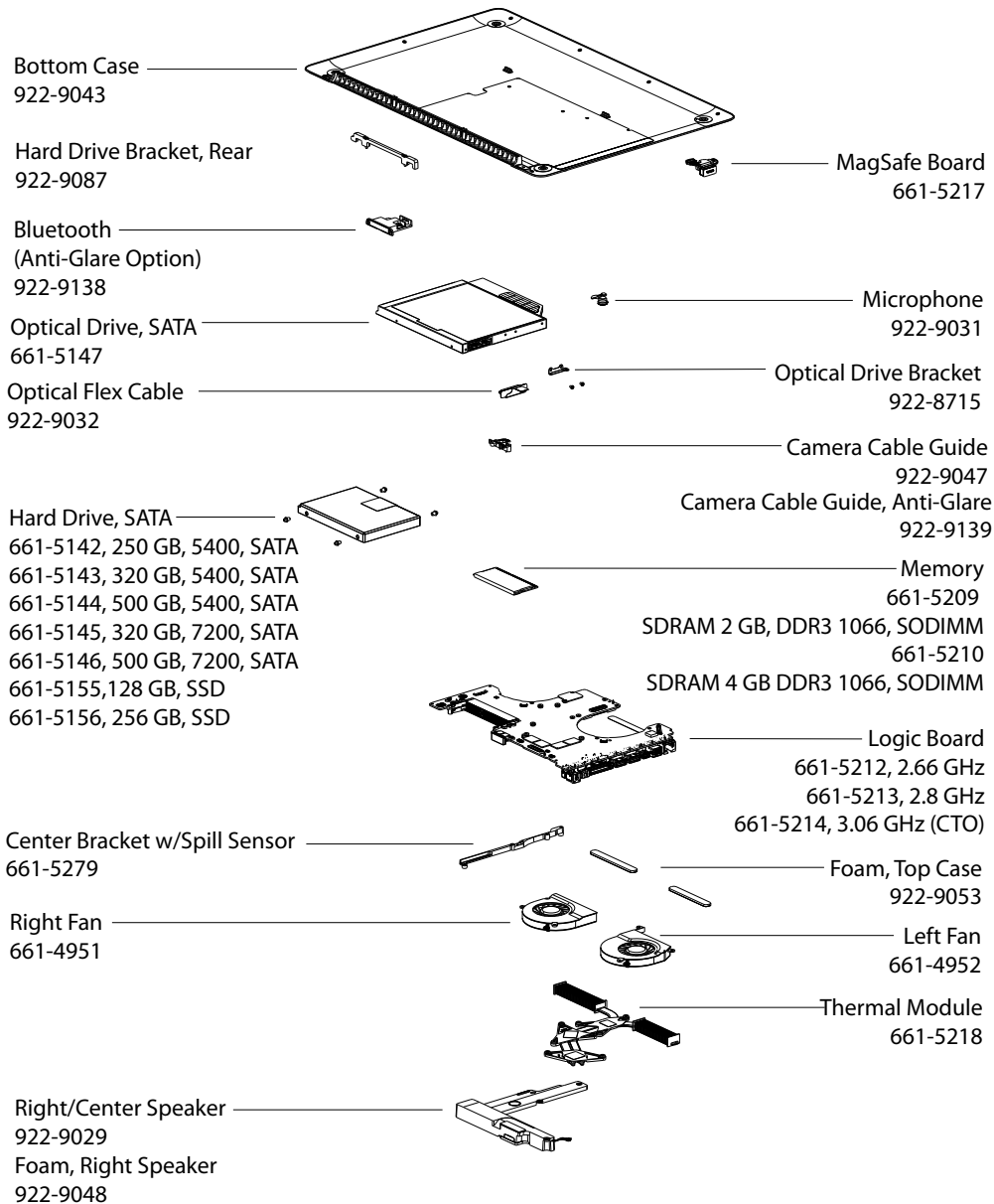
---

### **MacBook Pro (15-inch, Mid 2009)**



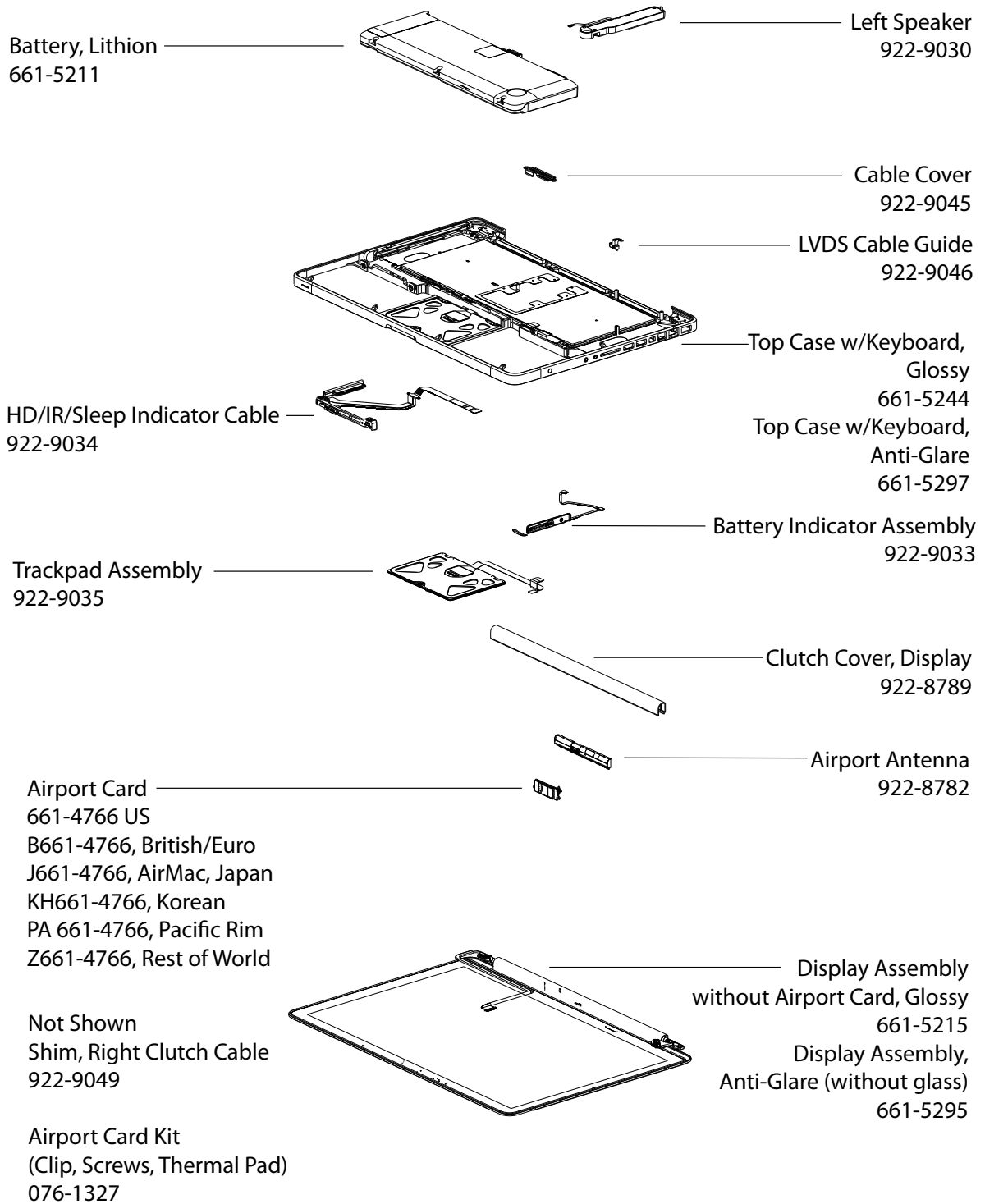
# Exploded Views

## Main Assembly 1





## Main Assembly 2





---

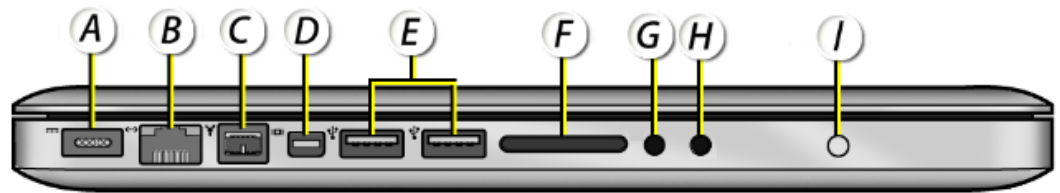
# External Views

## Front View





## Port View



**A- MagSafe Power**

**B - Gigabit Ethernet**

**C- FW 800**

**D- Mini DisplayPort**

**E.- USB 2.0**

**F- SD Card Slot**

**G.- Audio In/Optical Digital Audio In**













**H- Headphone Out/Optical Digital Audio Out**

**I- Battery Indicator Light Button**















# Screw Chart

<p><b>076-1327</b> Phillips #00</p>  <p>Included in AirPort Card kit</p>	<p><b>076-1350</b> Phillips #00</p>  <p>Included in Logic Board kit</p>	<p><b>922-8645</b> Phillips #00</p>  <p>LVDS cable guide (1)</p>
<p><b>922-8646</b> Torx 6</p>  <p>Display assembly hinge to top case (6)</p>	<p><b>922-8648</b> Phillips #00</p>  <p>Center bracket to top case (1)</p>	<p><b>922-8719</b> Phillips #00</p>  <p>Optical drive (3)</p>
<p><b>922-8725</b> Phillips #00</p>  <p>Center bracket to top case (1)</p>	<p><b>922-8744</b> Phillips #00</p>  <p>Left speaker to logic board (2)</p>	<p><b>922-8799</b> Phillips #00</p>  <p>Heatsink and heatsink spring</p>
<p><b>922-8985</b> Phillips #00</p>  <p>Bottom case (3)</p>	<p><b>922-8986</b> Phillips #00</p>  <p>Bottom case to top (7)</p>	<p><b>922-9036</b> Phillips #00</p>  <p>Front HD/IR/sleep cable to top of rt. speaker (2)</p>



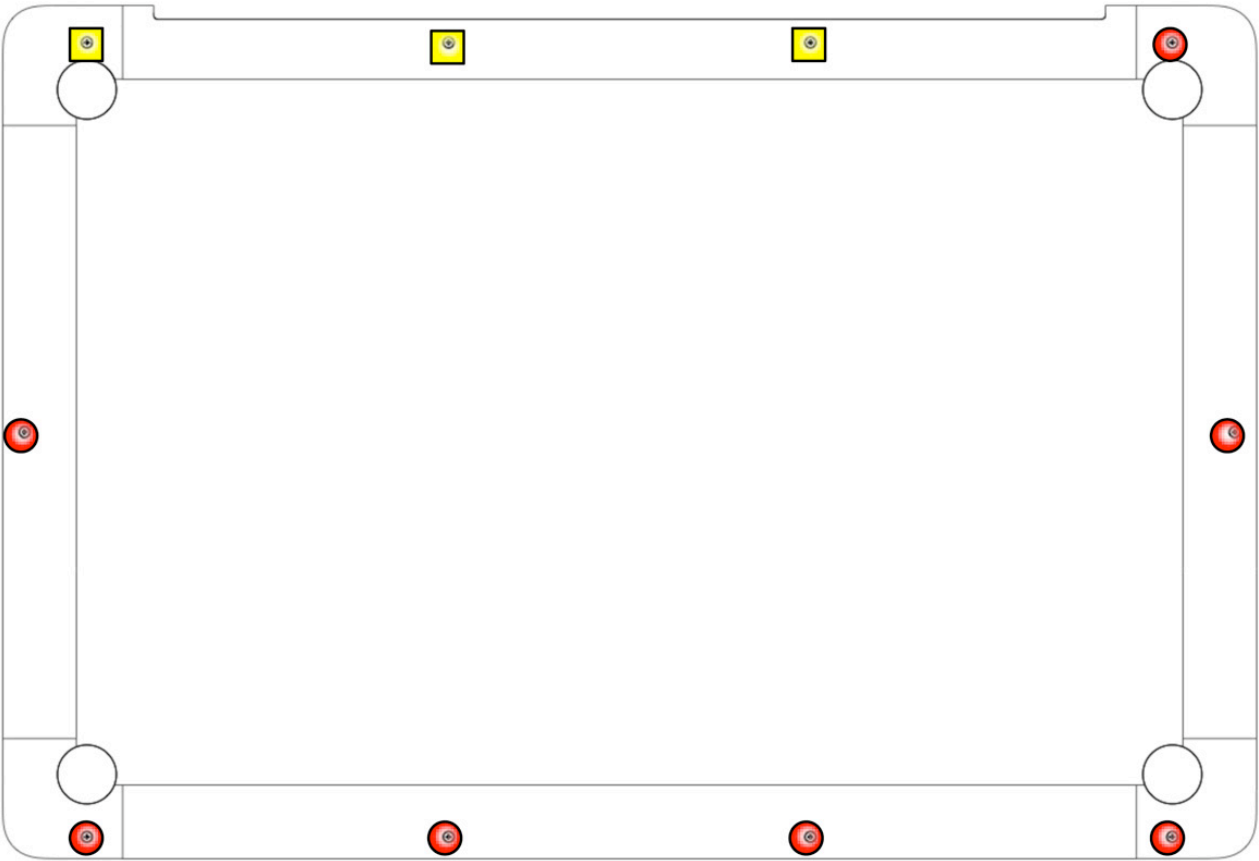
<p><b>922-9037</b> Phillips #00</p>  <p>Keyboard cable cover (2)</p>	<p><b>922-9040</b> Torx Plus® Tamper 6</p>  <p>Battery (3)</p>	<p><b>922-9042</b> Torx 6</p>  <p>MagSafe board (2)</p>
<p><b>922-9069</b> Phillips #000</p>  <p>Battery indicator light bd (3)</p>	<p><b>922-9093</b> Phillips #000</p>  <p>Trackpad (8)</p>	<p><b>922-9094</b> Phillips #00</p>  <p>Right speaker (1)</p>
<p><b>922-9095</b> Phillips #00</p>  <p>Right speaker (2)</p>	<p><b>922-9105</b> Phillips #00</p>  <p>Front HD bracket (2)</p>	<p><b>922-9107</b> Phillips #00</p>  <p>Bottom case to camera cable guide (2)</p>
<p><b>922-9108</b> Torx 6</p>  <p>Logic board and fans</p>		



# Screw Location Diagrams

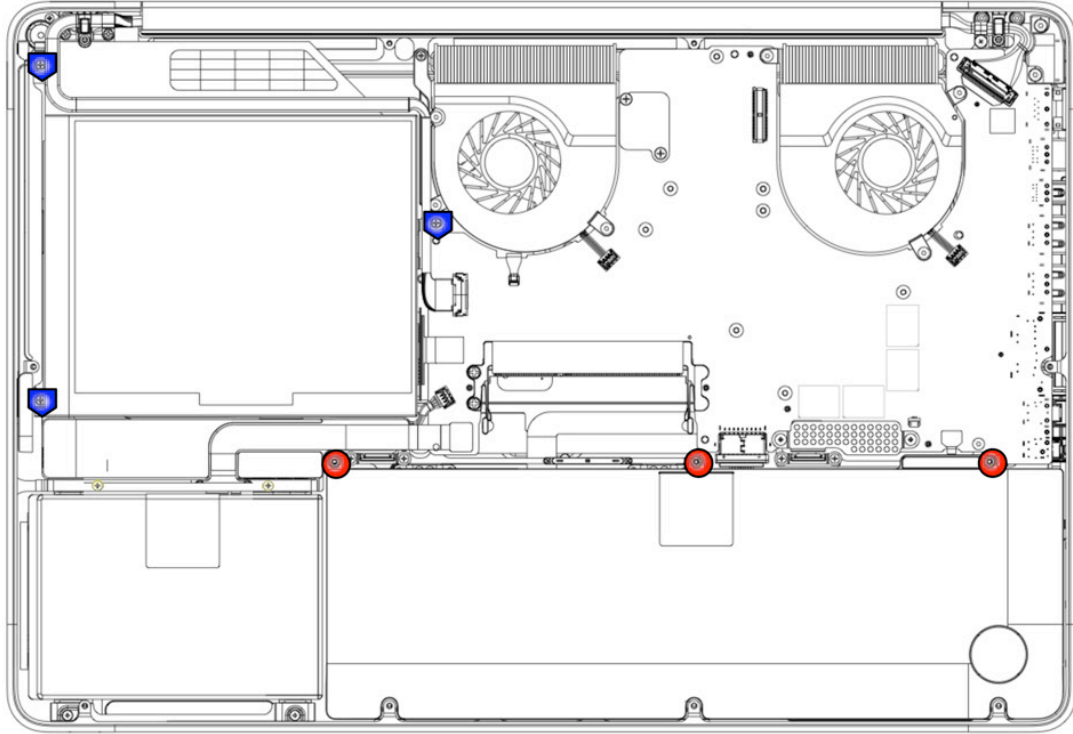
## Bottom Case Screws

- BOTTOM CASE:
- 1. REMOVE SCREWS INDICATED BY  922-8986
    - APN:
    - SIZE: M2X0.40X14.02
    - DRIVER: PH00
    - QUANTITY: 7
  - 2. REMOVE SCREWS INDICATED BY  922-8985
    - APN:
    - SIZE: M2X0.40X3.30
    - DRIVER: PH00
    - QUANTITY: 3






## Battery and Optical Drive Assembly Screws

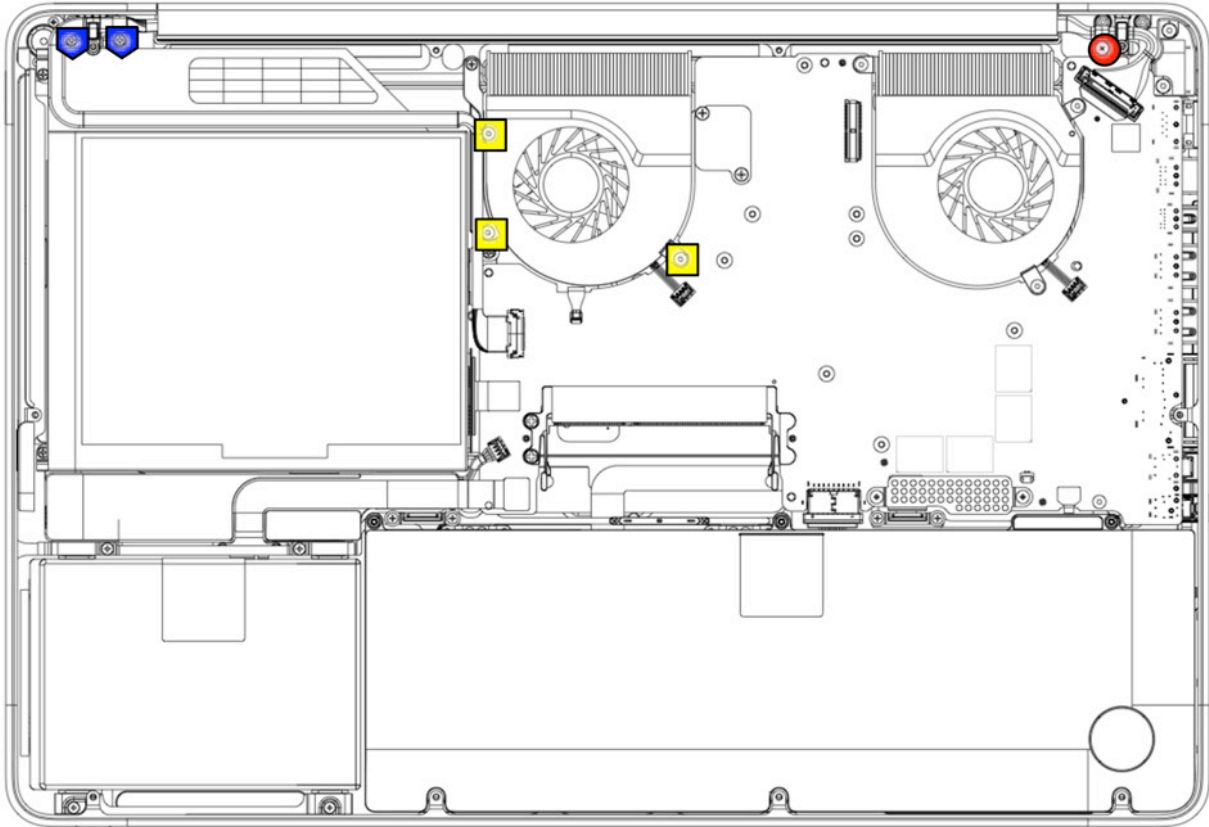



**BATTERY:**  
1. REMOVE BOTTOM CASE.  
2. REMOVE SCREWS INDICATED BY  **922-9040**  
APN:  
SIZE: M2X0.40X5.50  
DRIVER: 5 POINTED TORQUE  
QUANTITY: 3


**OPTICAL DRIVE:**  
1. REMOVE BOTTOM CASE.  
2. REMOVE SCREWS INDICATED BY  **922-8719**  
APN:  
SIZE: M2X0.40X3.00  
DRIVER: PH00  
QUANTITY: 3




## LVDS Cable Guide, Right Fan, Camera Cable Guide Screws



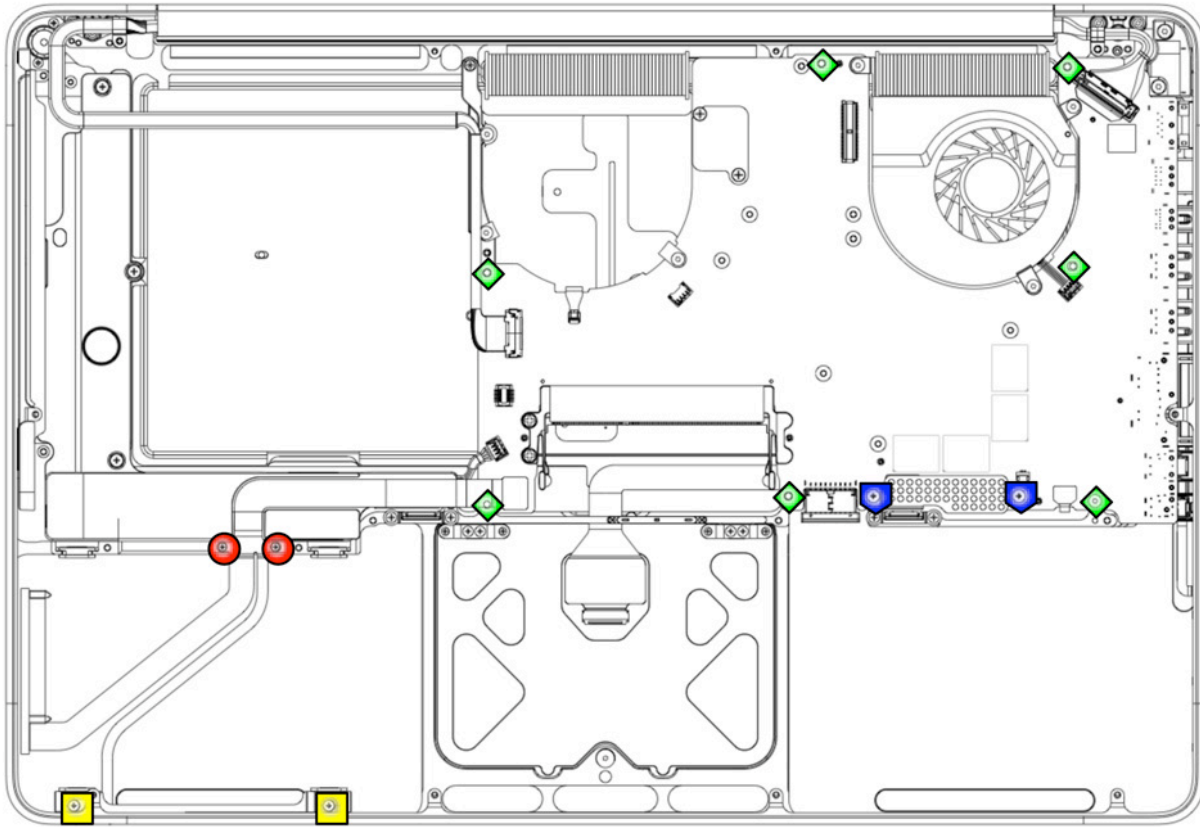
LVDS CABLE GUIDE:  
1. REMOVE BOTTOM CASE.  
2. REMOVE SCREW INDICATED BY  **922-8645**  
APN:  
SIZE: M2X0.40X6.50  
DRIVER: PH00  
QUANTITY: 1

RIGHT FAN:  
1. REMOVE BOTTOM CASE.  
2. REMOVE SCREWS INDICATED BY  **922-9108**  
APN: 41  
SIZE: M2X0.40X3.00  
DRIVER: T6  
QUANTITY: 3



CAMERA CABLE GUIDE:  
1. REMOVE BOTTOM CASE.  
2. REMOVE SCREWS INDICATED BY  **922-9107**  
APN:  
SIZE: M1.6X0.35X8.10  
DRIVER: PH00  
QUANTITY: 2




## HD/IR/Sleep Indicator, Metal Cover, Logic Board Screws




### HARD DRIVE/IR/SLEEP INDICATOR CABLE:

1. REMOVE BOTTOM CASE & HARD DRIVE.
2. DISCONNECT THE CABLE FROM THE MLB AND PRY IT OFF THE RIGHT SPEAKER.
3. REMOVE SCREWS INDICATED BY  **922-9036**  
 APN:  
 SIZE: M1.6X0.35X2.61  
 DRIVER: PH00  
 QUANTITY: 2
4. REMOVE SCREWS INDICATED BY  **922-9105**  
 APN: 452-1780  
 SIZE: M2X0.40X8.90  
 DRIVER: PH00  
 QUANTITY: 2

### IPD PROTECTOR:

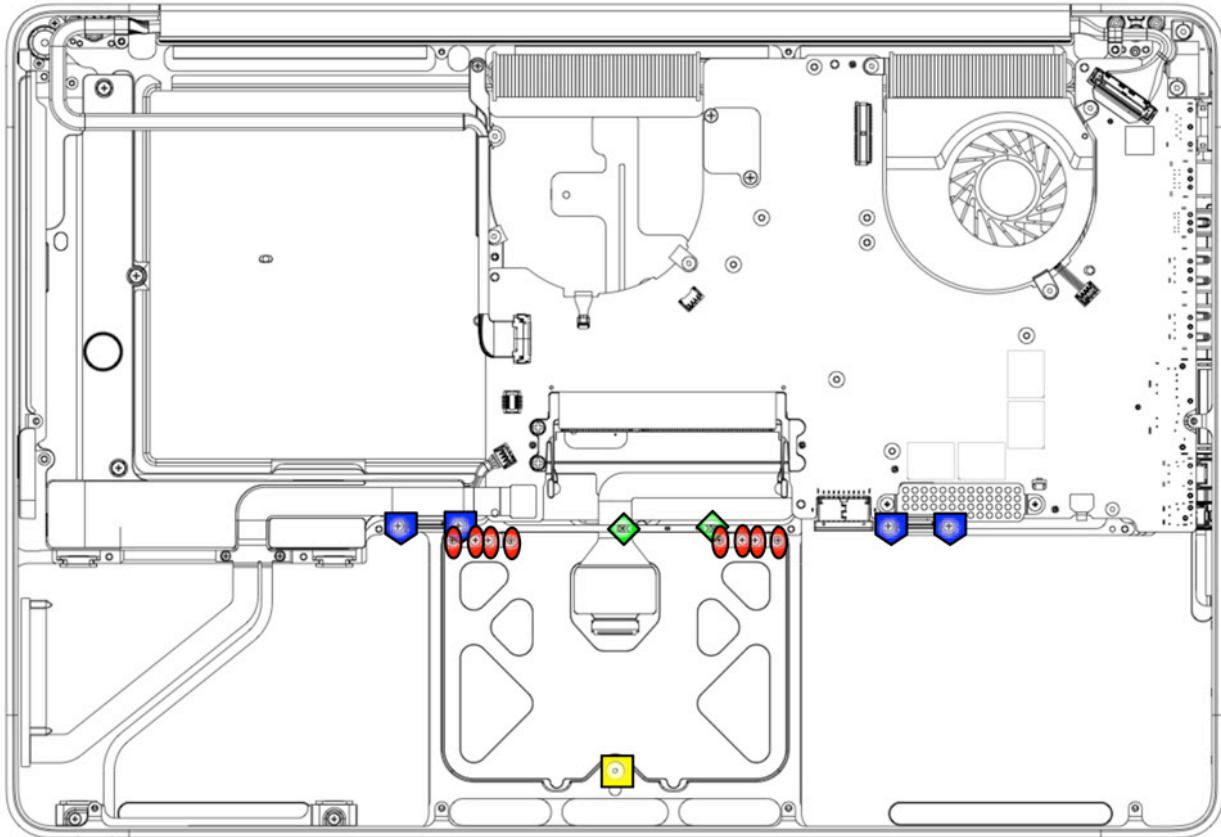
1. REMOVE BOTTOM CASE.
2. REMOVE SCREWS INDICATED BY  **922-1806**  
 APN:  
 SIZE: M1.6X0.35X1.20  
 DRIVER: PH00  
 QUANTITY: 2

### MAIN LOGIC BOARD (MLB):



1. REMOVE BOTTOM CASE, BATTERY, OPTICAL DRIVE, RIGHT FAN, LVDS CABLE GUIDE, & IPD PROTECTOR.
2. DISCONNECT THE FOLLOWING 9 CABLES FROM THE MLB: CAMERA CABLE, LVDS CABLE, KEYBOARD BACKLIGHT, OPTICAL DRIVE, RIGHT SPEAKER, HARD DRIVE/IR/SLEEP, TRACKPAD FLEX, KEYBOARD, & BATTERY INDICATOR.
3. REMOVE SCREWS INDICATED BY  **922-9108**  
 APN:  
 SIZE: M2X0.40X3.00  
 DRIVER: T6  
 QUANTITY: 7




## Trackpad, Midwall Snap, Midwall Pogo Screws




### TRACKPAD:

1. REMOVE BOTTOM CASE, RIGHT FAN, LVDS CABLE GUIDE, BATTERY, IPD PROTECTOR, & MLB.
2. PEEL UP TRACKPAD FLEX CABLE FROM THE TOP CASE.
3. REMOVE SCREWS INDICATED BY  **922-9093**  
 APN:  
 SIZE: M1.2X0.25X0.90  
 DRIVER: PH00  
 QUANTITY: 8
4. REMOVE THE SET SCREW INDICATED BY  **922-**  
 APN:  
 SIZE: M6.0X0.40X1.04  
 DRIVER: T6  
 QUANTITY: 1

### MIDWALL SNAP:

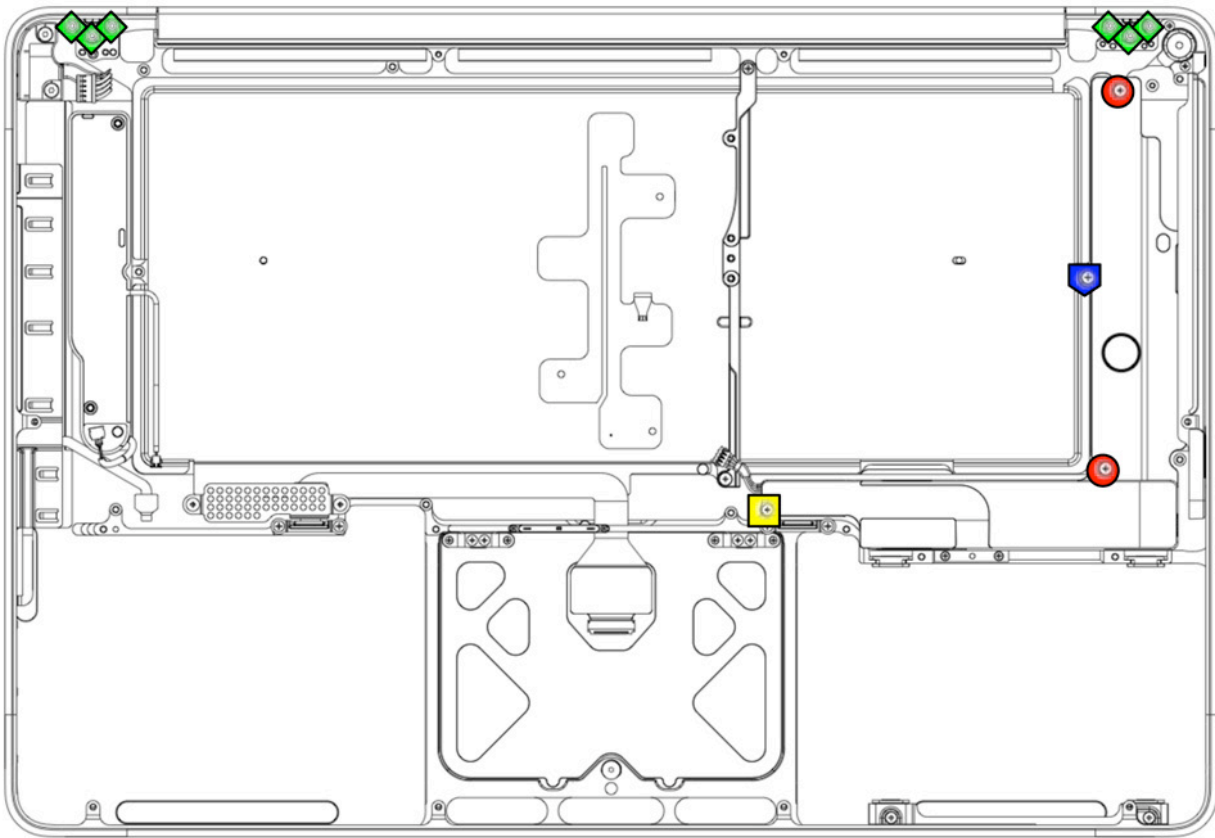
1. REMOVE BOTTOM CASE.
2. REMOVE SCREWS INDICATED BY  **922-9092**  
 APN:  
 SIZE: M1.6X0.35X3.86  
 DRIVER: PH00  
 QUANTITY: 4

### MIDWALL POGO:




1. REMOVE BOTTOM CASE.
2. REMOVE SCREWS INDICATED BY  **922-9038**  
 APN:  
 SIZE: M1.2X0.25X4.80  
 DRIVER: PH00  
 QUANTITY: 2




## Right Speaker and Display Assembly Hinge Screws



### RIGHT SPEAKER/SUBWOOFER:

1. REMOVE BOTTOM CASE, CAMERA CABLE GUIDE, & OPTICAL DRIVE.
2. DISCONNECT THE HARD DRIVE/IR/SLEEP INDICATOR CABLE FROM THE MLB AND PRY IT OFF THE TOP OF THE SPEAKER.
3. DISCONNECT THE RIGHT SPEAKER FROM THE MLB.
4. REMOVE SCREWS INDICATED BY  **922-9095**  
APN:  
SIZE: M1.6X0.35X3.00  
DRIVER: PH00  
QUANTITY: 2
5. REMOVE SCREW INDICATED BY  **922-**  
APN:  
SIZE: M1.6X0.35X4.75  
DRIVER: PH00  
QUANTITY: 1
6. REMOVE SCREW INDICATED BY  **922-9094**  
APN:  
SIZE: M1.6X0.35X2.35  
DRIVER: PH00  
QUANTITY: 1

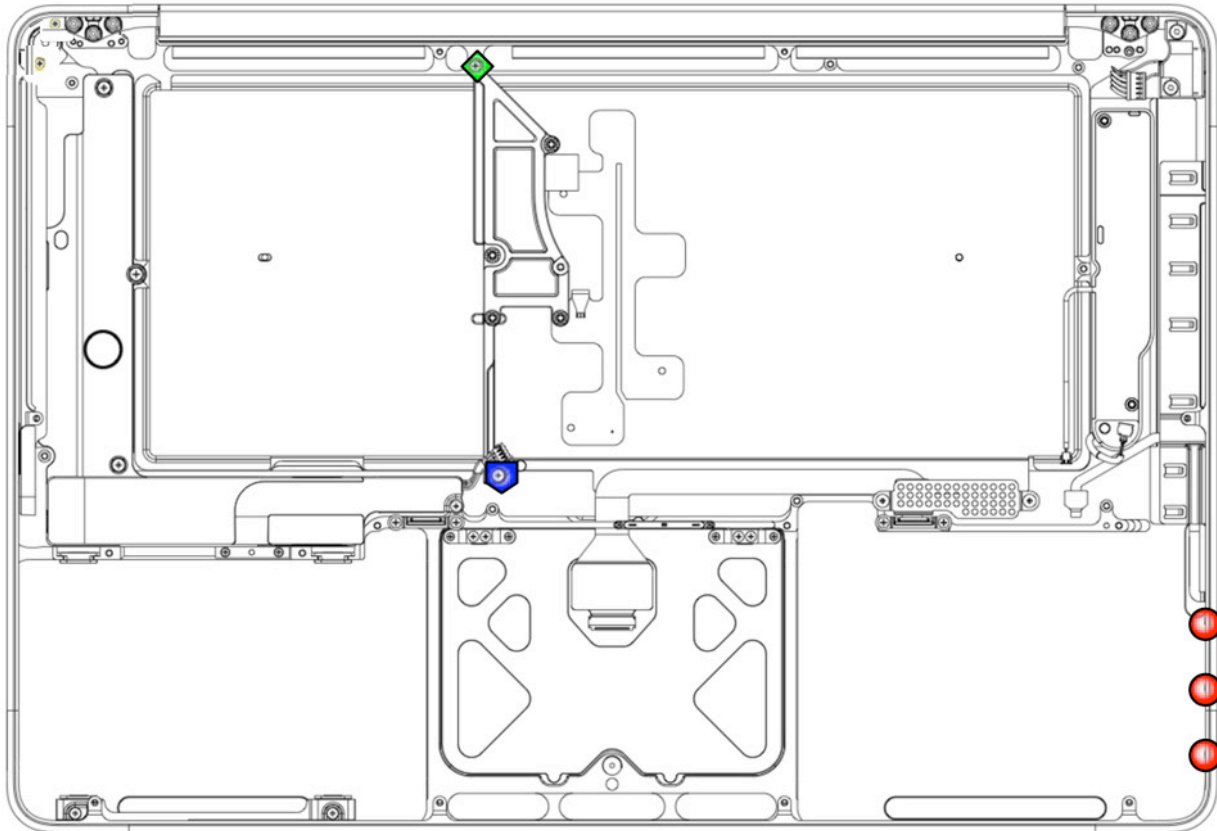
### DISPLAY ASSEMBLY:


1. REMOVE BOTTOM CASE, CAMERA CABLE GUIDE, AND LVDS CABLE GUIDE.
2. REMOVE SCREWS INDICATED BY  **922-8646**  
APN:  
SIZE: M2.5X0.45X5.30  
DRIVER: T6  
QUANTITY: 6







## Battery Indicator Light Board and Center Bracket Screws

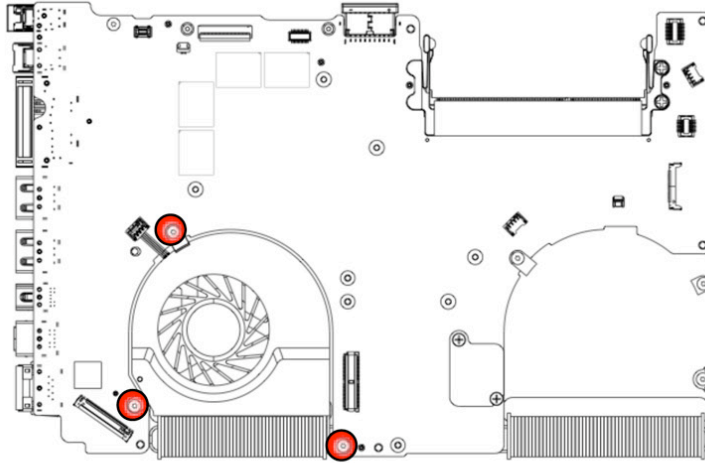


- BATTERY INDICATOR LIGHT (BIL) CABLE & BOARD:**
1. REMOVE BOTTOM CASE, BATTERY, FAN, LVDS CABLE GUIDE, IPD PROTECTOR, & MLB.
  2. REMOVE SCREWS INDICATED BY  **922-9069**  
APN:  
SIZE: M1.6X0.35X2.50  
DRIVER: PH00  
QUANTITY: 3
  3. PRY BACK THE EMI SPRING SHIELD TO EXPOSE THE BIL CABLE. PEEL THE BIL CABLE OFF THE TOP CASE.


- CENTER BRACKET:**
1. REMOVE BOTTOM CASE, BATTERY, FAN, LVDS CABLE GUIDE, IPD PROTECTOR, MLB, AND OPTICAL DRIVE.
  2. REMOVE SCREWS INDICATED BY  **922-8725**  
APN:  
SIZE: M2X0.40X6.20  
DRIVER: PH00  
QUANTITY: 1
  3. REMOVE SCREWS INDICATED BY  **922-8648**  
APN:  
SIZE: M2X0.40X9.50  
DRIVER: PH00  
QUANTITY: 1



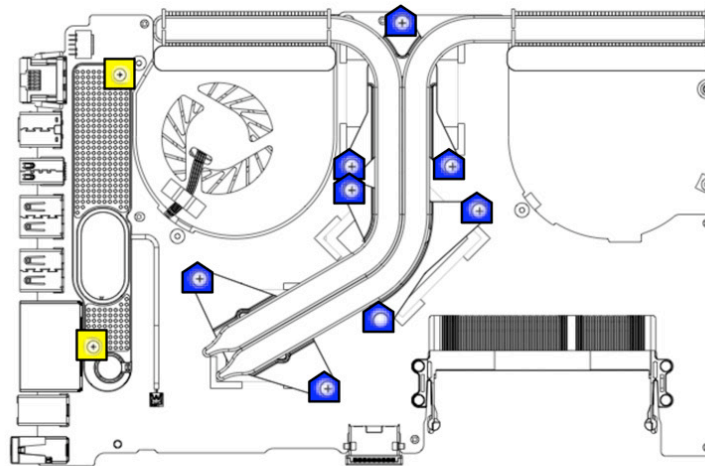
## Left Fan, Left Speaker and Heatsink Screws



### LEFT FAN:

1. REMOVE BOTTOM CASE, OPTICAL DRIVE, RIGHT FAN, LVDS CABLE GUIDE, IPD PROTECTOR, & MLB.
2. DISCONNECT THE FAN CABLE FROM THE MLB.
3. WITH THE MLB PLACED ON A SERVICE FIXTURE, REMOVE SCREWS INDICATED BY 

APN: **922-9108**  
 SIZE: M2X0.40X3.00  
 DRIVER: T6  
 QUANTITY: 3



### LEFT SPEAKER:

1. REMOVE BOTTOM CASE, RIGHT FAN, LVDS CABLE GUIDE, BATTERY, IPD PROTECTOR, & MLB.
2. DISCONNECT THE SPEAKER CABLE FROM THE MLB.
3. REMOVE SCREWS INDICATED BY 

APN: **922-8744**  
 SIZE: M2X0.40X4.50  
 DRIVER: PH00  
 QUANTITY: 2

4. DISCONNECT THE MICROPHONE CABLE FROM THE MLB.

### HEAT SINK:

1. REMOVE BOTTOM CASE, OPTICAL DRIVE, RIGHT FAN, LVDS CABLE GUIDE, IPD PROTECTOR, & MLB.
2. WITH THE MLB PLACED ON A SERVICE FIXTURE, REMOVE SCREWS INDICATED BY 



APN: **922-8799**  
 SIZE: M2X0.40X7.75 SCREW & THERMAL SPRING  
 DRIVER: PH00  
 QUANTITY: 8



## AirPort Card and Antenna Board Screws



### AIRPORT CARD:

1. REMOVE BOTTOM CASE, CAMERA CABLE GUIDE, LVDS CABLE GUIDE, DISPLAY ASSEMBLY, DISPLAY CLUTCH COVER.
2. REMOVE THE SCREW INDICATED BY  **076-1327**  
APN:  
SIZE: M2X0.40X2.50  
DRIVER: PH00  
QUANTITY: 1
3. REMOVE CABLE CLIP.
4. DISCONNECT AIRPORT CABLE & 2 AIRPORT ANTENNA CABLES.
5. REMOVE SCREWS INDICATED BY  **076-1327**  
APN:  
SIZE: M2X0.40X2.70  
DRIVER: PH00  
QUANTITY: 2

### ANTENNA BOARD:

1. REMOVE BOTTOM CASE, CAMERA CABLE GUIDE, LVDS CABLE GUIDE, DISPLAY ASSEMBLY, DISPLAY CLUTCH COVER.
2. REMOVE THE SCREW INDICATED BY  **076-1327**  
APN:  
SIZE: M2X0.40X2.70  
DRIVER: PH00  
QUANTITY: 4