
Apple Technician Guide



iMac (27-inch, Late 2009)

2009-12-15

 Apple Inc.

© 2009 Apple Inc. All rights reserved.

Under the copyright laws, this document may not be copied, in whole or in part, without the written consent of Apple.

Every effort has been made to ensure that the information in this document is accurate. Apple is not responsible for printing or clerical errors.

Apple
1 Infinite Loop
Cupertino, CA 95014-2084
USA
+ 1 408 996 1010
www.apple.com

Apple, the Apple logo, Mac, and Macintosh are trademarks of Apple Inc., registered in the U.S. and other countries.

iMac (27-inch, Late 2009)

Contents

About This Guide

Updates 10

- 15 December 2009 10
- 20 November 2009 10
- 11 November 2009 10
- 28 October 2009 11
- 27 October 2009 11
- Apple Technician Guide introduced 20 October 2009 11

Feedback 11

Basics

Overview 13

- Identifying Features 14
- Product Configurations 14
- Wireless Troubleshooting 14
- Safety Precautions 15
- Serial Number Location 16

Troubleshooting

General Troubleshooting 18

- Wireless Troubleshooting 18
- Update System Software & Firmware 18
- Troubleshooting Theory 18
- Hardware vs. Software 19
- Power On Self Test (POST) 19
- Resetting the System Management Controller (SMC) 19
- Resetting Parameter RAM (PRAM) 20
- Starting Up in Safe Mode 20
- Diagnostics 21
- Diagnostic LEDs 23
- Location of Diagnostic LEDs 24
- LED Startup Sequence 26
- Logic Board Test Points 27
- Sensor and Fan Connector Locations 28

Block Diagram 29

Symptom Charts 30

Startup and Power 30

No Power, Dead Unit 30

Won't Start Up 32

Intermittent Shutdown 34

Kernel Panic, System Crashes 36

No Video 38

Corrupted Video 40

Burnt Smell/Odor 43

Uncategorized Symptoms 44

Display 45

Backlight Issue/No Backlight 45

Noise / Unstable Flickering 47

LCD Image Issues 49

Incorrect/Missing Colors 50

Distorted/Blurred Image 51

Pixel Anomalies 53

Vertical/Horizontal Lines 54

Non-Uniform Brightness 56

Cosmetic Defects 57

Uncategorized Symptoms 57

Mass Storage 58

Hard Drive Not Recognized 58

Hard Drive Noisy 61

Optical Drive Not Recognized 63

Optical Drive Won't Accept/Eject Media 64

Optical Drive Read/Write Error 65

Optical Drive Not Performing to Specifications 67

Optical Drive Noisy 68

SD Card Will Not Insert Into Slot 69

SD Card Not Recognized 70

Uncategorized Symptoms 71

Communications 72

AirPort/Bluetooth Issues 72

AirPort Card Kernel Panic 74

Ethernet Port/Device Issue 75

Wireless Input Device Doesn't Pair 76

Wireless Input Device Loses Connection 78

Input/Output Devices 81

Apple Remote Inoperable 81

Audio: Microphone 83

Audio: Built-in Speakers Have Distorted Sound 84

Audio: Built-in Speakers Have No Audio 85

Camera Issues 87

FireWire Device Not Recognized	88
USB Device Not Recognized	90
Wired Keyboard Does Not Function Properly	92
Keyboard: Specific Keys Do Not Respond	94
Wired Keyboard/Mouse Not Recognized	94
Uncategorized Symptoms	96
Mechanical	97
Noise/Hum/Vibration	97
Fan Failures / Thermal Issues	100
Stand/Hinge Issues	101
Physical Damage	102
Uncategorized Symptoms	102

Take Apart

General Information 104

Opening the Unit	104
Required Tools	104
Cleaning & Handling the Glass Panel	106
Do's and Don'ts	106
Handling a Broken Glass Panel	107
Safety	112
Logic Board Handling	113
Reassembly Steps	113
Note About Images in This Manual	113
Screw Sizes	113

Access Door 114

Memory 116

Removal	117
Reassembly	117

Glass Panel 118

Removal	119
Reassembly	120

Camera 123

LCD Panel 125

Removal	126
Reassembly	129

Vertical Sync Cable 131

LCD Temp Sensor Cable 132

DisplayPort Cable 133

Audio Ports and Cable	134
Bluetooth Antenna	136
AirPort Antenna	138
Bluetooth Board	140
AirPort Card	142
AirPort Cable	144
AirPort Carrier Board	146
LED Backlight Board	148
Power Supply	150
Removal	151
Reassembly	152
Backlight Pressure Wall	153
Power Supply/Hard drive Pressure Wall	155
Removal	156
Reassembly	156
Hard Drive	158
Removal	159
Reassembly	160
Hard Drive Sensor Cable	161
Removal	162
Reassembly	162
Optical Drive	163
Removal	164
Reassembly	166
Optical Sensor Cable	168
Optical Drive Fan	170
SD Board	172
SD Card Cable	174
IR Board	176
Removal	177
Logic Board	178
Removal	179

Reassembly 183

Video Card 187

Hard Drive Data Cable 190

Removal 191

Optical Drive Data Cable 193

Removal 194

Battery 195

Removal 196

Reassembly 196

Optical Pressure Wall 197

Right Speaker 199

CPU Fan 201

Removal 202

Reassembly 203

Ambient Temp Sensor 204

Removal 205

Reassembly 205

Left Speaker 206

Removal 207

Reassembly 207

Hard Drive Fan 209

Mechanism Cover 211

Mechanism 213

Bluetooth Cable 215

Cable, AC/DC Power/Backlight/SATA 217

Camera Cable 219

Microphone Cable 222

Rear Housing 223

Stand 224

Removal 225

Reassembly 226

Additional Procedures

Retrieving Mechanism 229

Views

Exploded Views 234

Exploded View #1 234

Exploded View #2 235

Exploded View #3 236

External Views 237

Rear View 237

Ports 238

Internal Views 239

Components Below LCD 239

Inside Rear Housing 239

Logic Board, Top Side 240

Logic Board, Bottom Side 240

Screw Chart 241

Apple Technician Guide

About This Guide

iMac (27-inch, Late 2009)



Updates

15 December 2009

Troubleshooting:

- General Troubleshooting: Updated Apple Service Diagnostic and Apple Hardware Test version numbers, updated Apple Hardware Test error code table.
- Startup Power and Display chapters: Updated Flickering/No Video/ Backlight Issue/ Corrupted Video topics to alert technicians to check:
 - Mac OS X version installed is the build version supported on the hardware. See [kBase #TS3101: Mac \(Late 2009\): Using the correct Mac OS X system software](#).
 - Cable connections on back of LCD panel; check for signs of damage, corrosion, or pinched wires. Reseat/replace DisplayPort cable and Vertical sync cable when instructed.

20 November 2009

- Troubleshooting:
 - Mechanical: Fan noise issues: updated two topics, “Noise/Hum/Vibration” and “Fan Failures/Thermal Issues” with the following information:
 - Check: Verify if any tape, gasket, cable label, or cable is touching the fan blades and causing a ticking noise.
 - Actions: Secure the material so it doesn’t touch fan blades. If tape adhesive has lost its stickiness, replace that section of tape.

11 November 2009

Take Apart:

- General Information: Added graphics to topic, “How to Remove a Broken Glass Panel.”
- Hard drive: Added information on the Western Digital drive and sensor cable. Orient the drive with its circuit board facing up and connect the sensor cable to the hard drive pins, leaving the 2 left pins unconnected (exposed).

Views, Exploded Views:

- Added AirPort (922-9286) and Bluetooth(922-9285) antennas
- Added parts unique to the iMac (27-inch, Quad Core, Late 2009)
 - Skin temp sensor 922-9287
 - SDRAM DIMMs, 661-5453 and 661-5454
 - Power supply, 661-5468
 - Logic boards, 661-5428 and 661-5429
 - Optical drive, 922-5284



28 October 2009

Take Apart: Added backlight cable to list of items included with replacement panel

27 October 2009

- Formatting changes throughout manual
- Troubleshooting: added new LED Location graphic on page 22

Apple Technician Guide introduced 20 October 2009

Feedback

We want your feedback to help improve this and future Technician Guides! Please email any comments to smfeedback2@apple.com

Apple Technician Guide

Basics

iMac (27-inch, Late 2009)



Overview



Introducing the iMac (27-inch, Late 2009) with a new edge-to-edge glass design and seamless all aluminum enclosure. The new iMac line is the fastest ever with Intel Core 2 Duo processors starting at 3.06 GHz, and Core i5 and i7 quad-core processors for up to twice the performance.



Identifying Features

The iMac (27-inch, Late 2009) computer features include:

- LED-backlit 27-inch display
- Increased processor speeds:
 - 3.06GHz and 3.33GHz Intel Core 2 Duo
 - 2.66GHz quad-core Intel Core i5
 - 2.8GHz quad-core Intel Core i7
- Four RAM slots, each of which can accept a 2 GB or 4 GB SO-DIMM up to 16GB
- SD card reader slot
- Mini DisplayPort output (DVI, VGA, and dual-link DVI) and supports input from external DisplayPort sources (adapters sold separately)
- Graphics and video support:
 - ATI Radeon HD 4670 graphics processor with 256MB of GDDR3 memory (dual-core)
 - ATI Radeon HD 4850 graphics processor with 512MB of GDDR3 memory (dual-core)
 - ATI Radeon HD 4850 graphics processor with 512MB of GDDR3 memory (quad-core)
- Hard drive: 1TB, 2TB (CTO only)
- New Apple Magic Mouse and Apple Wireless Keyboard (2009), standard with all configurations
- Ships with and requires at least Mac OS 10.6.1 (Snow Leopard)

Product Configurations

For product configurations, refer to Apple Support Tech Specs: <http://support.apple.com/specs/>

Wireless Troubleshooting

If you're having issues with Bluetooth and wireless connectivity issues, refer to the following Knowledge Base articles:

- Desktop computers: Troubleshooting wireless mouse and keyboard issues <http://support.apple.com/kb/TS3048>
- AirPort and Bluetooth: Potential sources of interference <http://support.apple.com/kb/HT1365>
- Apple Wireless Keyboard and Mouse: How to install batteries <http://support.apple.com/kb/HT3903>

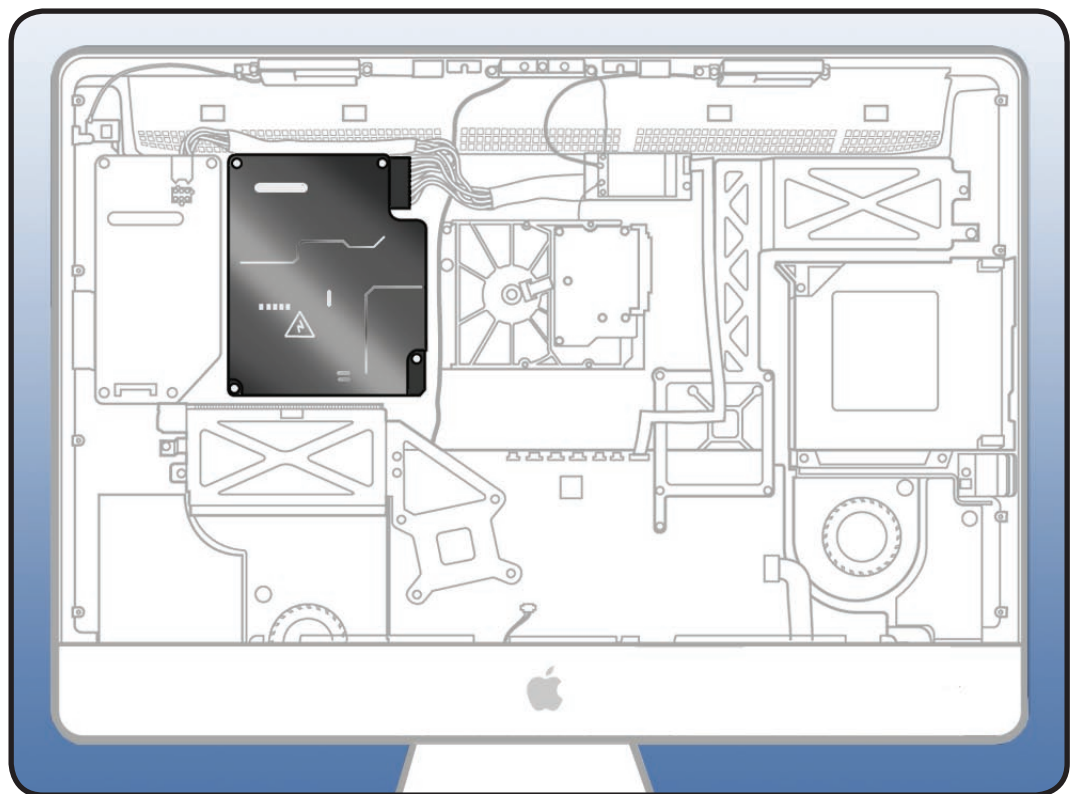


Safety Precautions

WARNING: HIGH VOLTAGE: The AC/DC power supply PCB remains powered up whenever the system is plugged in, whether or not the system has been turned on. Use extreme caution when troubleshooting the system with the front bezel removed.



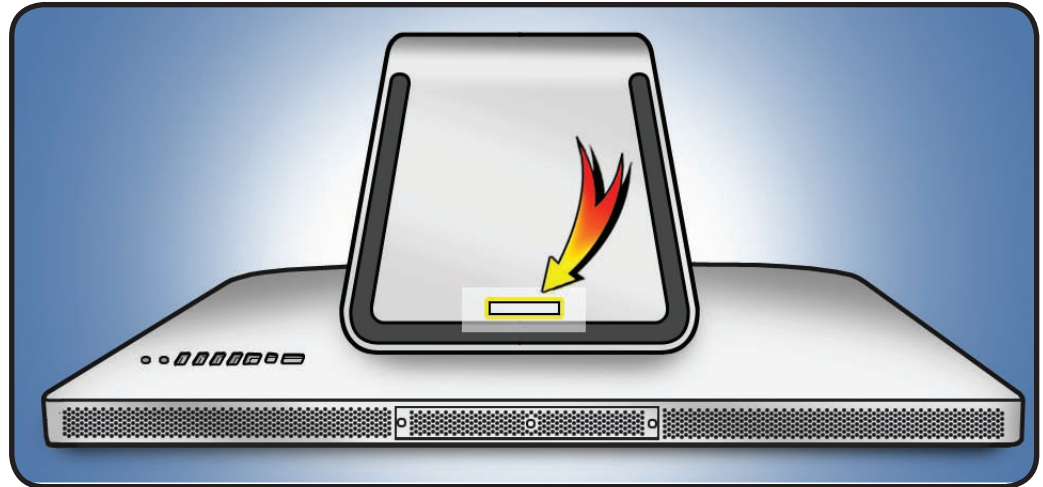
WARNING: If the computer is shut down by removing the power cord, allow the power supply a good 2-3 minutes to discharge the capacitors before handling it. However, if you select “Shut Down” via the Apple menu, the computer will discharge the power supply capacitor almost immediately.





Serial Number Location

The iMac (27-inch, Late 2009) serial number is located on the base of the stand. When replacing a stand, transfer the serial number to the new stand.



Apple Technician Guide

Troubleshooting

iMac (27-inch, Late 2009)



General Troubleshooting

Wireless Troubleshooting

If you're having issues with Bluetooth and wireless connectivity issues, refer to the following Knowledge Base articles:

- Desktop computers: Troubleshooting wireless mouse and keyboard issues <http://support.apple.com/kb/TS3048>
- AirPort and Bluetooth: Potential sources of interference <http://support.apple.com/kb/HT1365>
- Apple Wireless Keyboard and Mouse: How to install batteries <http://support.apple.com/kb/HT3903>

Update System Software & Firmware

Important: Ensure the correct version Mac OS X and latest software and firmware updates have been applied before you begin troubleshooting. Computers sometimes exhibit symptoms that indicate the wrong Mac OS X system software is installed. Refer to the following article about using the correct Mac OS X system software:

[kBase # TS3101: iMac \(Late 2009\): Using the correct Mac OS X system software](#)

Firmware is the name given to software that is written into memory circuits such as flash memory, that will hold the software code indefinitely, even when power is removed from the hardware. Firmware on Intel Mac computers is designed to be updated if necessary by running the Mac OS X Software Update check (available in the Apple menu) while computer is connected to the Internet. For more information about firmware updates, refer to:

[kBase # HT1557: About firmware updates for Intel-based Macs](#)

Troubleshooting Theory

For general information on troubleshooting theory, go to GSX and find the Service Training course menu link. From there you can access the Troubleshooting Theory self-paced course. Hardware vs. Software



Hardware vs. Software

For information on how to isolate a hardware issue from a software issue, refer to:

[kBase #TS1388: Isolating issues in Mac OS X](#)

For information on how to troubleshoot a software issue, refer to:

[kBase #HT1199: Mac OS X: How to troubleshoot a software issue](#)

[kBase #TS1394: Mac OS X: Troubleshooting installation and software updates](#)

[kBase #HT2956: Troubleshooting Mac OS X installation from CD or DVD](#)

Power On Self Test (POST)

Intel-based Mac computers such as the iMac rely on a combination of tones and blinking LEDs to display Power On Self Test (POST) error codes.

- If the computer detects out-of-specification or no SDRAM, or if the RAM installed does not meet the appropriate specifications, the screen will remain black but the computer will beep. This error condition may be due to physically damaged RAM, installing the incorrect type of RAM, or not having RAM installed.
- Some RAM may appear to pass the Power-On-Self-Test (POST) but still cannot be used by the operating system. In this case, the computer will display a gray screen, sound three tones and repeat the tones until the computer is turned off.
- The solution to both of these situations is to first re-seat the memory and test the computer again. If the memory fails the POST test again, remove all installed memory and test by installing one by one each memory that has been verified to work correctly on another system (i.e., “known-good”) or order new memory.

Resetting the System Management Controller (SMC)

The System Management Controller (SMC) is a chip on logic board that controls all power functions. If computer is experiencing any power issue, such as not starting up, not displaying video, sleep issues, or fan noise issues, resetting SMC may resolve it. To reset SMC on an iMac:

1. From Apple menu, choose Shut Down (or if the computer is not responding, hold power button for approximately ten seconds until it powers off).
2. Unplug all cables from computer, including power cord.
3. Wait at least 15 seconds. SMC reset occurs automatically once iMac has been unplugged from AC power source for several seconds.
4. Plug power cord back in, making sure power button is not being pressed.
5. Press power button on back to start up computer.

For more information, refer to:

[kBase #HT1543: Intel-based iMac: How to reset the System Management Controller](#)



Resetting Parameter RAM (PRAM)

PRAM stores certain system and device settings in a location that Mac OS X can access quickly. Exactly which settings are stored in the computer's PRAM varies depending on the type of computer as well as the types of devices and drives connected. To reset PRAM:

1. Shut down the computer.
2. Locate the following keys on keyboard: Command, Option, P, and R. You will need to hold these keys down simultaneously in Step 4.
Note: If the keyboard does not have an Option key, use the Alt key instead.
3. Press power button.
4. Immediately press and hold Command-Option-P-R keys.
Important: You must press this key combination before the gray screen appears.
5. Hold down keys until the computer restarts, and you hear the startup chime a second time.
6. Release keys.

For more information, refer to:

[kBase #HT1242: Mac OS X: What's stored in PRAM](#)

[kBase #HT1379: Resetting your Mac's PRAM and NVRAM](#)

Starting Up in Safe Mode

A Safe Boot is a special way to start Mac OS X when troubleshooting. To start up in Safe Mode:

1. Make sure computer is shut down.
2. Press power button.
3. Immediately after you hear the startup tone, press and hold Shift key.
Note: The Shift key should be held as soon as possible after startup tone but not before.
4. Release Shift key when you see the screen with the gray Apple and progress indicator (looks like a spinning gear). During startup, "Safe Boot" appears on the Mac OS X startup screen.
5. To leave Safe Mode, restart computer normally, without holding down any keys during startup.

For more information, refer to:

[kBase #HT1564: Mac OS X: What is Safe Boot, Safe Mode?](#)

[kBase #TS1884: Safe Boot takes longer than normal startup](#)



Diagnostics

Run Apple Service Diagnostic version 3S135 to determine if any thermal sensors or blowers are malfunctioning. If ASD is not available, run Apple Hardware Test version 3A188 by holding down the D key during startup. When a test reports an error, reseal appropriate connections. If issue persists, replace the corresponding part (sensor, blower, logic board, video card, or power supply). See Apple Hardware Error code chart below for correlation between error code, affected sensor, sensor location, and additional checks to perform.

AHT Error code	Suspected part and Location	Suggested Action	Notes
4SNS/1/C0000008:TA0P - xxx	Ambient temp sensor damaged or disconnected from logic board.	Verify sensor cable is securely connected to the top edge of the logic board and attached to the left speaker housig. Replace sensor cable if damaged.	All fans ramp at full speed if sensor is disconnected.
4SNS/1/C0000008 T00p-xxx	ODD temp sensor damaged or disconnected from logic board.	Verify sensor cable is securely connected to the logic board and the sensor is properly attached to the ODD mechanism. Replace sensor cable if damaged.	The ODD fan will run at full speed if sensor is disconnected.
4SNS/1/C0000008 TH00--xxx	HDD temp sensor damaged or disconnected from logic board. Use the correct sensor cable, each drive vendor has a unique sensor cable.	Verify sensor cable is securely connected to top left side of logic board and it's connected to hard drive. Check for damaged cable on logic board.	The HD fan may run at full speed if the sensor is disconnected.
4SNS/1/C0000008 TL0p	LCD temp sensor on LCD is damaged or disconnected from top of logic board	Verify that the LCD sensor cable is securely connected to the logic board and the sensor is attached to the LCD. Replace the sensor cable if damaged	The CPU fan will run at full speed if the sensor is disconnected.
4SNS/1/C0000008 TS2P-xxx	Skin temp sensor (Quad-core models only) is damaged or disconnected from top of logic board.	Verify that the skin temp sensor cable is securely connected to the top of the logic board and sensor is attached to rear housing (near the camera). Replace the sensor cable if damaged.	

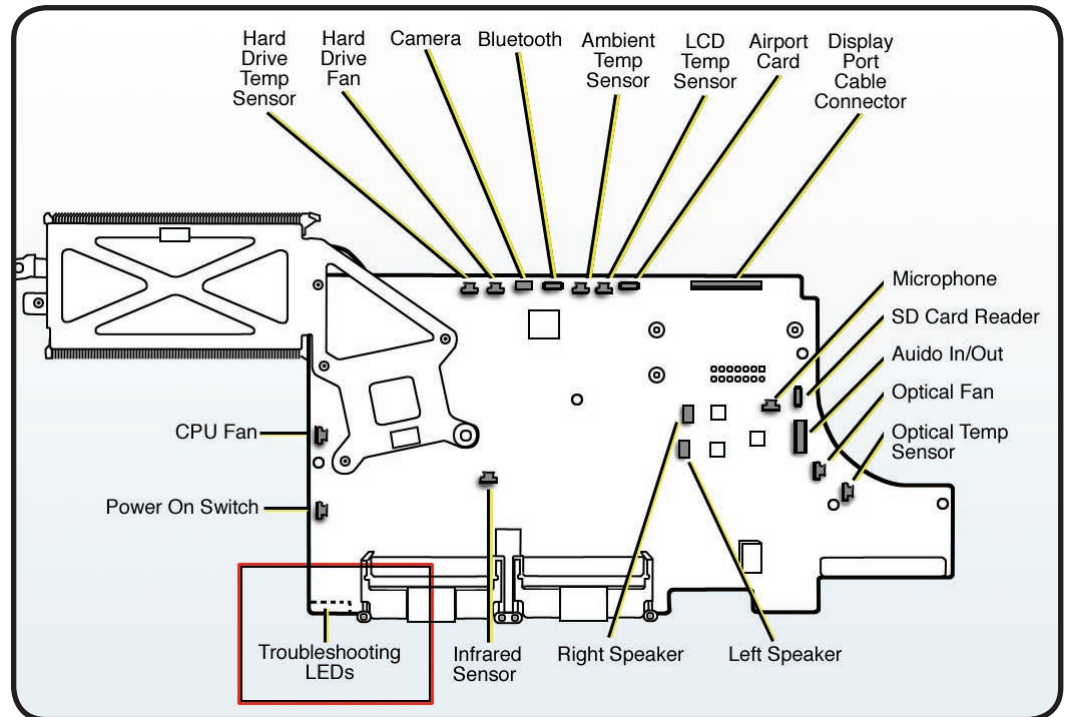


AHT Error code	Suspected part and Location	Suggested Action	Notes
4SNS/1/40000000 TC0H	CPU temp sensor located on back side of logic board; this sensor is not available as a service part	Check CPU sensor cable connection to logic board. It requires removal of the logic board.	If the sensor is disconnected, the CPU fan will run at full speed.
4SNS/1/40000000:TG0H	GPU temp sensor is disconnected or faulty (located on back side of logic board)	Check GPU sensor cable connection to logic board. It requires removal of the logic board.	If sensor is disconnected the CPU fan will run at full speed.
4MOT/4/40000002 :ODD-xxx	Optical fan/blower	Verify that the ODD blower/fan cable is securely connected to the right side of the logic board and that there are no obstructions that would prevent the blower/fan from rotating. Replace fan if the error continues.	Normal fan operation, except the ODD blower
4MOT/4/40000002 :HDD-xxx	Hard drive fan/blower, located below logic board, near hard drive	Verify that the HDD blower/fan cable is securely connected to the top of the logic board and that there are no obstructions that would prevent the blower/fan from rotating. Replace fan if the error continues.	Normal fan operation, except the HDD blower
4MOT/4/40000002 :CPU-xxx	CPU fan/blower, located next to left speaker (logic board has to be removed to replace CPU blower)	Verify that the CPU blower/fan cable is securely connected to the left side of the logic board and that there are no obstructions that would prevent the blower/fan from rotating. Replace fan if the error continues.	Normal fan operation, except the CPU blower Note: Make sure black mylar tape along the bottom of LCD panel is not obstructing fan blades, if so, cut tape and re-stick to LCD.



Diagnostic LEDs

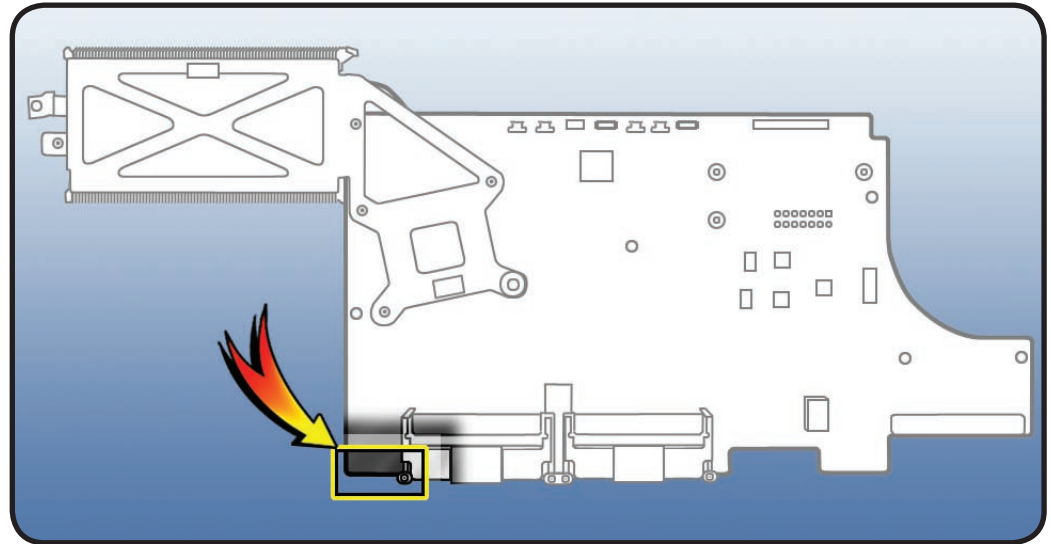
The iMac (27-inch, Late 2009) computer has four built-in diagnostic LEDs on the main logic board that can help you to troubleshoot the computer. The LEDs are located on the bottom left edge of the logic board (under a piece of black mylar tape) and can only be seen when looking through the lower vents of the enclosure. Refer to the next page for a close up graphic of the troubleshooting LEDs.



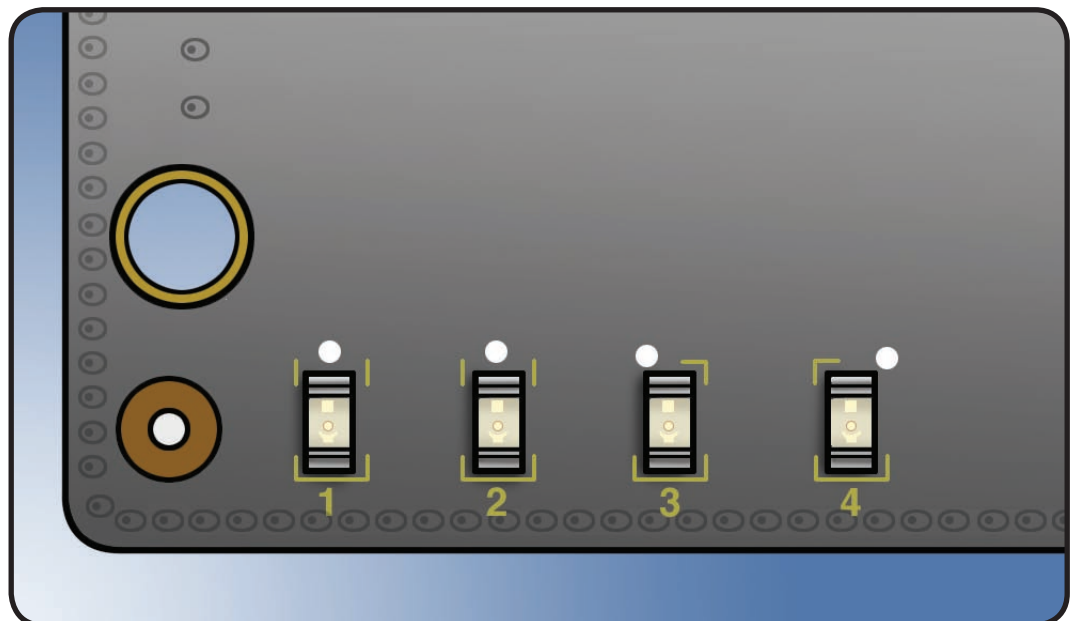


Location of Diagnostic LEDs

The LEDs are located under the mylar tape, on the bottom, left corner of the logic board. They can only be seen when looking through lower vents of rear housing.



LED Functions



LED #1

- Indicates that the trickle voltage from the power supply has been detected by the main logic board. This LED will remain ON whenever the iMac is connected to a working AC power source. The LED will remain on even when the computer has been shut down or put to sleep. The LED will turn off only if the AC power source is disconnected or the power supply is faulty.



LED #2

- Indicates that the main logic board has detected proper power from the power supply when the computer is turned on and that logic board voltage regulators are functioning properly. This LED will be ON when the computer is turned on and the power supply is working correctly.

LED #3

- Indicates that the computer and the video card are communicating. This LED will be ON when the computer is communicating properly with the video card. If LEDs 1 and 2 are ON and you heard the startup sound, but LED 3 is OFF, then the video card might be installed incorrectly or need replacement.

LED #4

- Indicates that the computer and the LCD panel are communicating. This LED will be ON when the computer is turned on and video signal is being generated. If the LED is ON and there is no image on the display, then the LCD panel, the LED backlight board, or the cables between might be installed incorrectly or need replacement.



LED Startup Sequence

LED #1 = Power available.

If no LED is visible:

- Verify AC source
- Verify known-good AC cable is connected
- Verify cable connection between AC inlet and power supply
- Verify cable connection between power supply and logic board
- Verify power supply

LED #1 + LED #2 = Power available, and system is powered on.

If second LED is not visible when power button is pressed:

- Verify power button connection to logic board
- Verify power button functionality
- Verify cable connection between power supply and logic board
- Verify power supply
- Verify logic board

LED #1 + LED #2 + LED #3 = Power available, system is powered on, and video card found.

If third LED is not visible after power on:

- Verify that the MXM video card is seated properly
- Verify logic board

LED #1 + LED #2 + LED #3 + LED #4 = Power available, system is powered on, video card found, and internal LCD found.

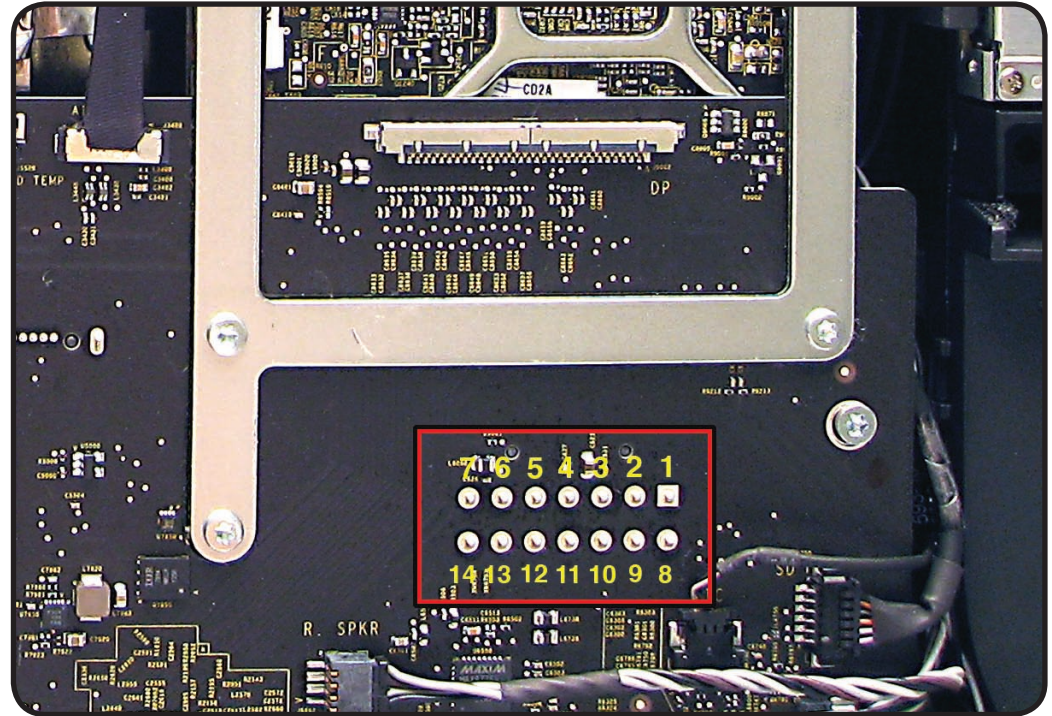
If fourth LED is not visible after power on:

- Verify cable connections between LCD panel and logic board
- Inspect LCD display cables for cable damage
- Verify external video functionality, and according to result check the following items:
 - If external display works then verify/replace the LED backlight board
 - If external display works then verify/replace the LCD panel
 - If external display does not work verify/replace the logic board



Logic Board Test Points

Some test points are accessible on the logic board when the LCD panel is removed. The test points are defined below.

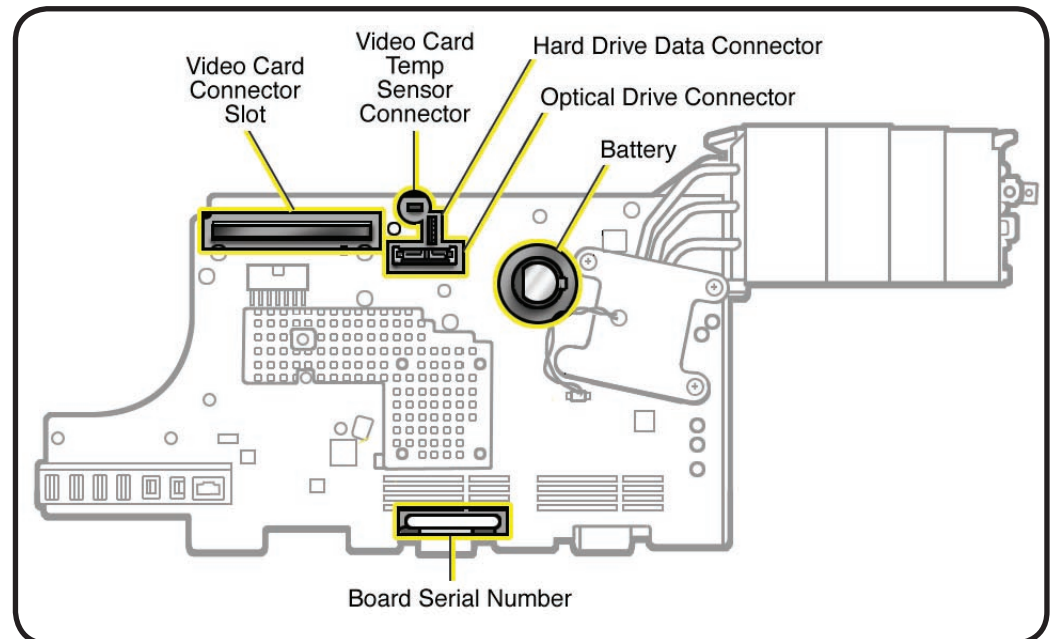
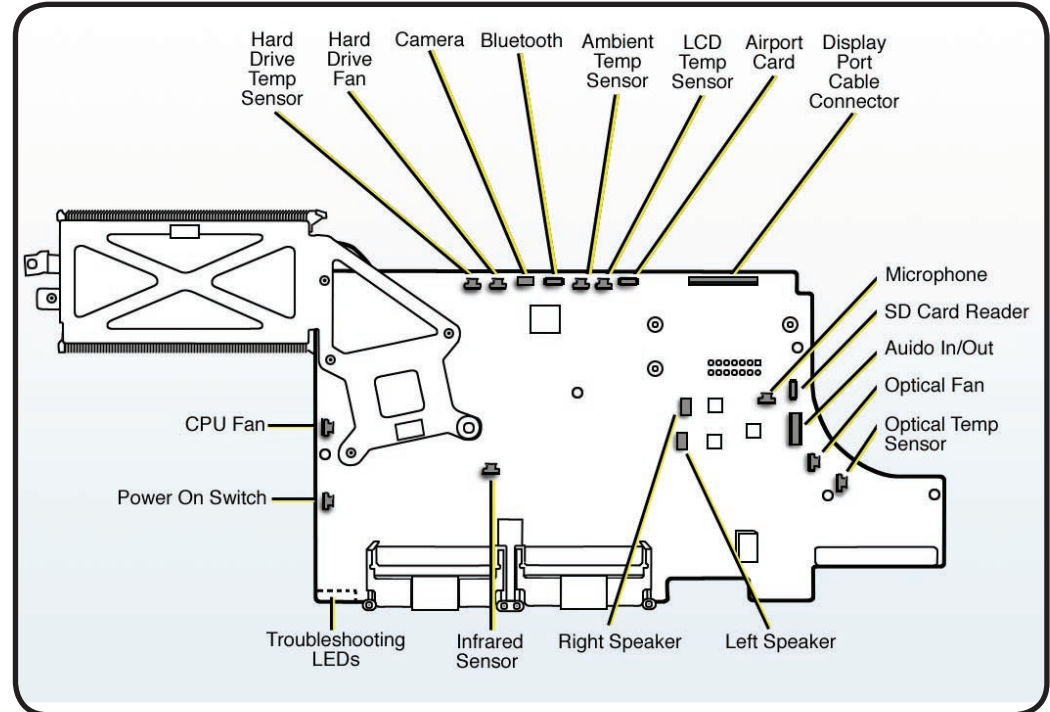


Logic Board Test Point	Function
Pin 1	Ground
Pin 4	Standby 12V power (permanent power coming from power supply and present as long as AC cable is connected, even if computer is off); corresponds to LED #1
Pin 6	Backlight Control pulse width modulated signal (from logic board to LED backlight board, to adjust the backlight level setting according to user setup)
Pin 11	12V Run-Mode power to logic board (coming from power supply, present as long as system is on or asleep); corresponds to LED #2
Pin 12	Power On Request signal (from logic board to power supply when power button is pressed)
Pin 13	Backlight Enable (signal from logic board to Backlight Controller board, to enable backlight)



Sensor and Fan Connector Locations

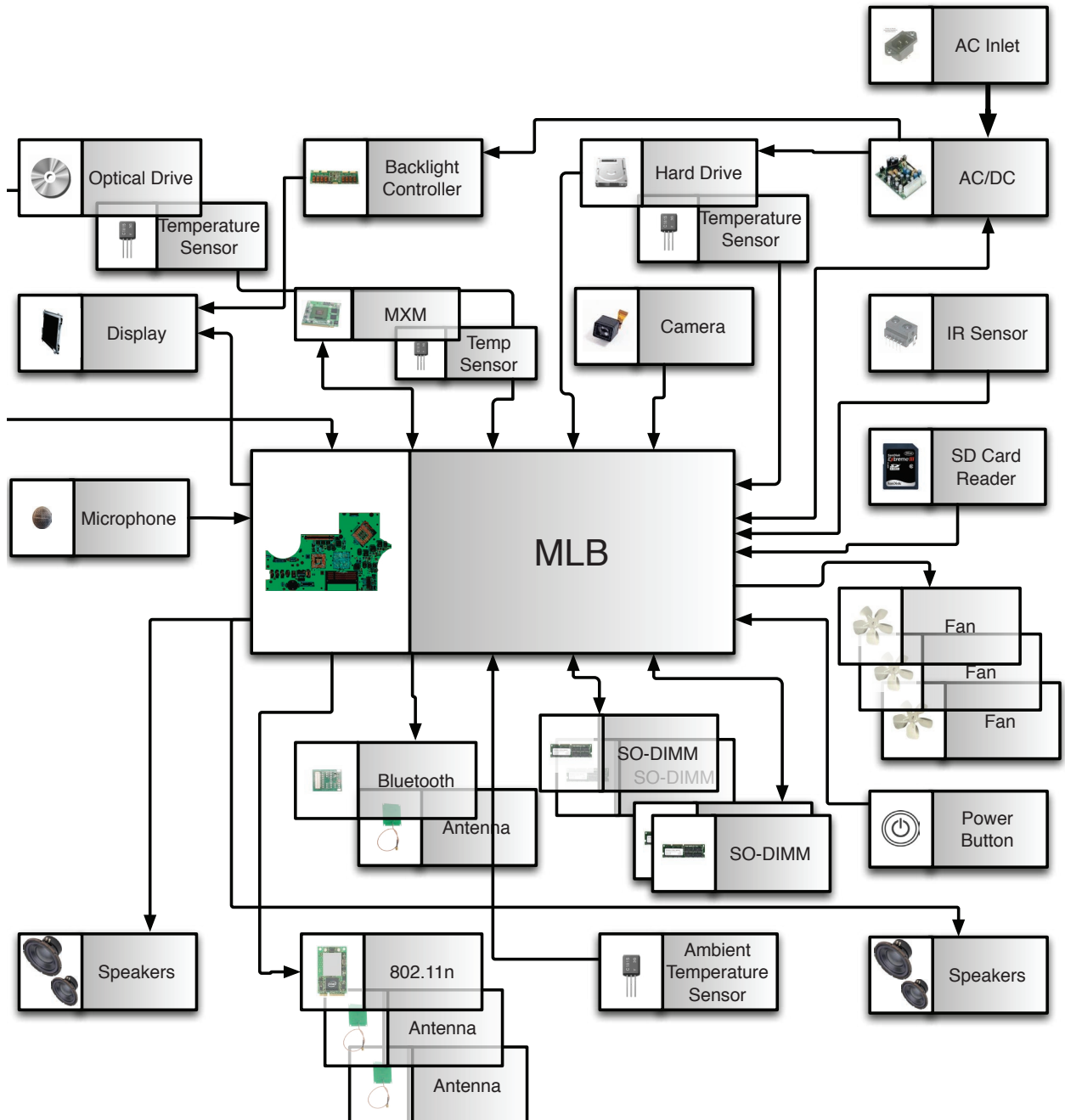
Ambient temp sensors and fans connectors locations are shown below. Ensure cables are correctly routed and the sensors and fans are properly connected. If a sensor or fan is faulty or not connected, Apple Hardware Test and Apple Service Diagnostic will generate an error code.





Block Diagram

Refer to this diagram to see how modules are interrelated.





Symptom Charts

Follow steps in the order indicated below. If an action resolves the issue, retest system to verify.

Startup and Power

No Power, Dead Unit

Unlikely cause: speakers

Quick Check

Symptoms	Quick Check
No Power, Dead Unit <ul style="list-style-type: none"> No power No fan spin No startup chime No image on external display No hard drive or optical drive activity Caps Lock LED on wired keyboard doesn't light when pressed. 	<ol style="list-style-type: none"> Verify power source. Verify power cable. Listen closely for signs of activity from system including: rotating fans, hard drive or optical drive activity, startup chime, etc.

Deep Dive

Check	Result	Action	Code
1. Power ON system. Verify if there is any indication that the system has powered up (fan rotation, hard drive or optical drive noise, backlight turns on).	Yes	The symptom is powering up. Go to Won't Start Up symptom flow.	
	No	Go to step 2.	
2. Locate diagnostic LEDs in bottom case vents. Plug AC cord into system. Verify if diagnostic LED #1 turns ON. You may alternately check for presence of a 12V DC signal between pin 4 and pin 1 of logic board.	Yes	Standby power voltage being supplied by power supply. Go to step 3.	
	No	Replace power supply.	



3. Press power button while monitoring diagnostic LEDs. Verify if LED #2 turns ON and remain ON after pressing the power button. You may alternately check for a power request signal between pin 12 and pin 1 of logic board.	Yes	Power supply functioning and logic board detects supply voltages. Go to Won't Start Up symptom flow.	
	No	Go to step 4.	
4. Disconnect AC cable then remove power supply and carefully inspect connectors between AC inlet and power supply, then DC connectors and cables between power supply and logic board, for damage or poor connections.	Yes	Replace damaged part.	P16
	No	Go to step 5.	
5. Inspect power button and verify if it is properly connected to the logic board.	Yes	Go to step 6.	
	No	Reconnect power button.	
6. Disconnect power button from logic board. Inspect cable and connector for damage. Verify continuity between the two pins of power button when it is pressed.	Yes	Power button is functioning correctly. Reconnect power button to logic board and go to step 7.	
	No	Power button faulty. Replace rear housing (which includes power button).	X14
7. Press power button and Verify if system turns ON. You may alternately check for presence of a 12V DC signal between pin 11 and pin 1 of logic board when power button is pressed.	Yes	Power supply functioning. If system still won't boot, go to Won't Start Up symptom flow.	
	No	Replace DC power cable. Go to step 8.	X03
8. Press power button and verify if system turns ON.	Yes	Issue solved with replaced DC power cable.	
	No	Replace power supply. Go to step 9.	P01
9. Press power button and verify if system turns ON.	Yes	Issue solved with replaced power supply.	
	No	Reinstall power supply and replace logic board.	M01

Note: If No Power symptom persists after all steps have been followed use minimum configuration troubleshooting to proceed. Try disconnecting hard drive, optical drive, AirPort, Bluetooth, and SD card modules to determine if one of them is preventing the power supply from functioning.



Won't Start Up

Quick Check

Symptoms	Quick Check
<p>Won't Start Up</p> <ul style="list-style-type: none"> No startup chime. Error tones during startup. Grey screen with fan noise, or other noise. Will not progress beyond Apple logo or spinning gear. 	<ol style="list-style-type: none"> Isolate OS by starting up from original install media for this computer, from a same-model computer in Target Disk Mode, or from a compatible known-good OS on an external drive. Both AirPort and Bluetooth services are available when booted from the Install disk. Reset SMC and PRAM to clear any stored, corrupted information. Start up in Safe Mode by holding shift key down during startup to load only required kernel extensions and disable all startup and login items. See kBase #HT1564: Mac OS X: What is Safe Boot, Safe Mode? If system generates error tones there may be an issue with the SDRAM. See kBase #HT2341: Intel-based Mac: Power On Self Test RAM error codes Identifying when in the startup process the computer hangs can help isolate the issue. See kBase #HT2674: Intel-based Mac: Startup sequence and error codes, symbols for information on the Macintosh startup sequence, and error codes and symbols used.

Deep Dive

Check	Result	Action	Code
1. Boot computer to Apple Hardware Test on the internal hard drive or an inserted Install DVD by holding down the D key at startup. Verify if system boots up from any of these volumes.	Yes	Run the extended tests and proceed with results. If AHT passes or boots with a memory error, go to step 2.	
	No	Go to step 2.	
2. Remove installed SDRAM, and test with known-good SDRAM. Verify if computer starts up properly now.	Yes	SDRAM issue. Reinstall one of user's SDRAM modules and retest. Proceed one by one to find the faulty SDRAM module, and replace it.	X02
	No	Go to step 3.	



3. Wait 15 seconds after computer was powered down and disconnect AirPort cable from logic board. Verify if computer starts up properly now.	Yes	Go to AirPort Card Kernel Panic symptom flow.	
	No	Go to step 4.	
4. Disconnect hard drive SATA cable and startup from Install DVD in the optical drive, or from an external bootable volume. Verify if computer starts up properly now.	Yes	Go to Hard Drive Not Recognized symptom flow.	
	No	Go to step 5.	
5. Reconnect hard drive, disconnect optical drive cable and retest. Verify if computer starts up properly now.	Yes	Go to Optical Drive Not Recognized symptom flow.	
	No	Go to step 6.	
6. Remove coin battery on back of logic board (you will need to completely remove logic board to do this), and leave out for approximately 1 minute. Then reinstall battery. This will reset logic board. Verify if computer starts up properly now.	Yes	Issue resolved by logic board reset. Measure DC voltage on battery touching battery with red probe, and grounding with black probe. If voltage is 2.7v or less, replace battery. For multimeter help, see kBase #HT3250: Diagnostics: Using a digital multimeter.	
	No	Replace logic board.	M02



Intermittent Shutdown

Quick Check

Symptoms	Quick Check
<p>Intermittent Shutdown</p> <ul style="list-style-type: none"> • Powers off during startup. • Powers off during desktop use. • Computer restarts spontaneously. • Powers off when waking from sleep. 	<ol style="list-style-type: none"> 1. Make sure that power cord is securely attached to the back of computer, and is not hindered by a desk or other furniture. 2. Plug computer directly into an AC outlet to test if a surge protector or UPS is causing issue. 3. Open System Preferences > Energy Saver > Schedule and make sure that a “Shut Down” event is not scheduled. 4. Isolate OS by starting up from original install media for this computer, from a same-model computer in Target Disk Mode, or from a compatible known-good OS on an external drive. Both AirPort and Bluetooth services are available when booted from the Install disk. 5. Reset SMC and PRAM to clear any stored, corrupted information. 6. Start up in Safe Mode by holding shift key down during startup to load only required kernel extensions and disable all startup and login items. See kBase #HT1564: Mac OS X: What is Safe Boot, Safe Mode?

Deep Dive

Check	Result	Action	Code
<p>1. Verify improper shutdown by opening the system.log located in /var/log. Filter log for “shutdown cause”. Entries of value “0” or a negative value indicate an improper shutdown. Verify if you find recent entries of an improper shutdown in log file.</p>	Yes	Determine if user caused improper shutdown. Use known-good AC power cord and AC outlet. Go to step 2.	
	No	Revisit Quick Check examples for possible software issues. Check if user is running other automating software that may be shutting down system. Verify issue and jump to appropriate symptom flow. No repair needed under current symptom flow.	



2. With known-good AC power cord and AC outlet, Verify if system continues to restart or shutdown	Yes	Go to step 3.	
	No	AC power cord / outlet issue. Issue resolved.	X03
3. Disconnect hard drive power cable from hard drive and startup the computer from other bootable media (like Install DVD, a same model computer in Target Disk Mode, or a compatible known-good OS on an external drive). Verify if system continues to restart or shutdown.	Yes	Go to step 4.	
	No	Possible bad software or hard drive. Go to Hard Drive Not Recognized symptom flow.	
4. Inspect and reseal AC inlet connection to power supply (the smaller of the 2 cables connected to power supply), and DC power cable from power supply to logic board. Verify if damage is observed on the cables or connectors.	Yes	Replace damaged cable. Retest. Return to step 1 if problem continues.	X03
	No	Go to step 5.	
5. Install known-good power supply. Verify if system continues to restart or shutdown.	Yes	Reinstall original power supply. Go to step 6.	
	No	Issue resolved with power supply replacement.	P02
6. Replace DC power cable, which supplies power to logic board, hard drive, and LED backlight board. Verify if system continues to restart or shutdown.	Yes	Go to step 7.	
	No	Issue resolved with DC power cable replacement.	X03
7. Replace logic board. Verify if system continues to restart or shutdown.	Yes	Use Minimum Configuration troubleshooting to isolate failed module.	
	No	Issue resolved with logic board replacement.	M08



Kernel Panic, System Crashes

Quick Check

Symptoms	Quick Check
<p>Kernel Panic, System Crashes</p> <ul style="list-style-type: none"> • Kernel Panic on startup or desktop use. • System freeze during use. • System freeze upon wake from sleep. 	<ol style="list-style-type: none"> 1. Isolate OS by starting up from original install media for this computer, from a same model computer in Target Disk Mode, or from a compatible known-good OS on an external drive. Both AirPort and Bluetooth services are available when booted from the Install disk. 2. Ensure that all software and firmware updates for this model have been installed to take advantage of any available bug fixes. 3. Reset SMC and PRAM to clear any stored, corrupted information. 4. Start up in Safe Mode by holding shift key down during startup to load only required kernel extensions and disable all startup and login items. See kBase #HT1564: Mac OS X: What is Safe Boot, Safe Mode? 5. Check the panic.log, located /Library/Logs/Panicreporter, for information in the back trace that may give clues about the kernel panic. 6. For more information, see kBase #HT1392: About "You need to restart your computer" (kernel panic) messages.

Deep Dive

Check	Result	Action	Code
1. Boot the computer to Apple Hardware Test on internal hard drive or an inserted Install DVD by holding down the D key at startup. Verify if system boots up from any of these volumes.	Yes	Run extended tests and proceed with results. If AHT passes or boots with a kernel panic, go to step 2.	
	No	Go to step 2.	
2. Remove all peripheral devices including keyboard and mouse. Verify if system starts without kernel panic.	Yes	Add peripheral devices one at a time until kernel panic repeats. Replace device causing issue.	
	No	Go to step 3.	



3. Use known-good SDRAM in the system. Verify if system start without kernel panic now.	Yes	Install user's SDRAM one by one and test. If kernel panic repeats, replace affected SDRAM. Verify if correct SDRAM specification is being used.	X01
	No	Go to step 4.	
4. Wait for 20 seconds after shutdown and disconnect AirPort cable on logic board. Verify if system starts without kernel panic now.	Yes	Go to AirPort Card Kernel Panic symptom flow.	
	No	Go to step 5.	
5. Disconnect SATA cable from hard drive and startup to the Install DVD in the optical drive or from an external volume. Verify if system starts without kernel panic now.	Yes	Go to Hard Drive Not Recognized symptom flow.	
	No	Go to step 6.	
6. Disconnect camera and microphone cables from logic board. Verify if system starts without kernel panic now.	Yes	Go to Camera Issues or Audio: Microphone symptom flow as appropriate.	
	No	Go to step 7.	
7. Disconnect Bluetooth cable on logic board. Verify if system starts without kernel panic now.	Yes	Go to AirPort/Bluetooth Issues symptom flow.	X99
	No	Go to step 8.	
8. Disconnect SD board on logic board. Verify if system starts without kernel panic now.	Yes	Go to SD Card Not Recognized symptom flow.	
	No	Go to step 9.	
9. Disconnect optical drive and test. Verify if system starts without kernel panic now.	Yes	Go to Optical Drive Not Recognized symptom flow.	
	No	Replace logic board.	



No Video

Unlikely cause: hard drive, optical drive, speakers, camera, microphone

Quick Check

Symptoms	Quick Check
No Video <ul style="list-style-type: none"> No image. Backlight failure. 	<ol style="list-style-type: none"> Check brightness setting. For no-video issues, connect an external display to Verify if iMac video circuitry is functioning. If image appears on external display go to Backlight Issue/No Backlight symptom flow. Reset SMC.

Deep Dive

Check	Result	Action	Code
1. Verify boot chime present and fans running when system powered ON. (Reset SMC and clear PRAM if necessary for proper boot up.)	Yes	Power ON self test OK. Boot sequence started. Go to step 2.	
	No	Go to Won't Start Up symptom flow.	
2. Verify if image is visible on built-in LCD panel.	Yes	Video present. Verify system functionality and return to user or jump to appropriate troubleshooting flow.	
	No	Go to step 3.	
3. Connect supported external display. Verify if image appears on external display when system is booted.	Yes	External display detected by system. Video circuitry on logic board functional. Inspect DisplayPort cable to back of panel connection. Reseat and test again. If you continue to have problems go to Backlight Issue/No Backlight symptom flow.	
	No	Go to step 4.	



4. Pivot enclosure to access lower intake vent, and locate diagnostic LEDs on edge of logic board. Verify if LED #3 turns on shortly after system powers on.	Yes	Logic board communicating with video card. Go to step 5.	
	No	If LED #3 does not turn ON, reseal video card and retest, then replace video card and repeat step 4. If issue persists, replace logic board.	M03
5. Locate diagnostic LEDs on logic board. Verify if LED #4 turns on shortly after system powers on.	Yes	Logic board communicating with LCD panel. Go to Backlight Issue/No Backlight symptom flow.	
	No	Replace DisplayPort cable. Go to step 6.	
6. Locate diagnostic LEDs on the logic board. Verify if LED #4 turns on shortly after system powers on.	Yes	Video controller functional and communicating with LCD panel. Go to Backlight Issue/No Backlight symptom flow.	
	No	Video controller unable to communicate with LCD panel. Reseat cables first. If issue persists, replace LCD panel. Retest.	M03



Corrupted Video

Unlikely cause: power supply, hard drive, optical drive, fans, speakers, camera, microphone

Quick Check

Symptoms	Quick Check
Corrupted Video <ul style="list-style-type: none">• Text and graphics appear fuzzy• Image corrupted	<ol style="list-style-type: none">1. Verify Mac OS X version installed is the build number supported on the hardware. Make sure customer didn't migrate over their old version of Mac OS. See kBase #TS3101: Mac (Late 2009): Using the correct Mac OS X system software.2. Set System Preferences > Displays to native resolution of LCD. Non-native resolutions are unable to produce optimal clarity.3. Clean outside surface of glass panel.4. Make sure all relevant software updates have been applied. Graphics driver updates may be included with software updates.5. Boot from install DVD or another known-good volume to determine whether a potential software/driver issue exists.6. When issue occurs, take a screenshot of the display (Command-Shift-3). View screenshot file on a known-good computer. If image corruption can be seen in the screenshot then issue is with the video drivers, software, or video/logic board. If issue cannot be seen in the screenshot then LCD panel and DisplayPort cable should be tested further.



Deep Dive

Check	Result	Action	Code
1. Boot from Install DVD and Verify if issue is still visible.	Yes	Go to step 2.	
	No	Issue likely caused by software or driver issue. Troubleshoot for software issues. Make sure all software updates have been installed.	
2. Verify if issue is visible on an external display.	Yes	Issue is NOT caused by internal LCD display. Go to step 3.	
	No	Go to step 6.	
3. For systems without a separate video card, go to step 4. If a video card is present, remove video card, inspect connector for damage or corrosion. Reinstall video card and retest. Verify if issue still occurs.	Yes	Replace video card. Go to step 4.	M04
	No	Issue resolved by reseating video card.	
4. Verify if video corruption issue is still present.	Yes	Replace logic board. If a video card was replaced, reinstall the user's original video card. Go to step 5.	M04
	No	Issue resolved with replacement video card.	
5. Verify if video corruption issue is still present with replacement logic board installed.	Yes	Return to step 1 and retest.	X04
	No	Issue resolved with replacement logic board.	M04
6. Inspect glass panel. Verify if issue is caused by condensation or contaminants on inside/ outside surface of glass panel, or on surface of LCD panel.	Yes	Clean glass and/or LCD using procedures in Glass Panel take-apart chapter. Identify possible sources of contamination (nearby cigarette/cooking smoke, heavy airborne dust, etc.) to prevent recurrence. Condensation should dissipate after computer has been running a few hours.	
	No	Go to step 7.	



7. Disconnect DisplayPort cable between LCD display and logic board, and verify if there is damage to cable or connectors. Repeat with vertical sync cable connected between LCD panel and LED backlight board.	Yes	Replace DisplayPort cable or any other damaged part/module.	X03
	No	Reinstall DisplayPort cable and vertical sync cable. Go to step 8.	
8. Verify if issue is still visible after reinstalling/replacing DisplayPort cable and vertical sync cable.	Yes	Replace DisplayPort cable and LCD panel. Go to step 9.	L04
	No	Issue resolved with reseating cables.	
9. Verify if issue is still present with replacement LCD panel installed.	Yes	Return to step 1 and retest.	
	No	Issue resolved with replacement of LCD panel.	L04



Burnt Smell/Odor

Unlikely cause: speakers, microphone, rear housing

Quick Check

Symptoms	Quick Check
Burnt Smell/Odor <ul style="list-style-type: none"> Burning smell Unusual odor 	<ol style="list-style-type: none"> Verify that computer is the source of the odor. If system is new, see kBase #TA22044: New Equipment: Odors May Be Present Short-Term. Disconnect all third-party devices and check to see if any external device is the source of odor. Inspect air intake and air outlets for obstructions. To prevent overheating make sure there is sufficient clearance to allow air to flow unobstructed into and out of the system. Verify if system is functional.

Deep Dive

Check	Result	Action	Code
1. Verify if source of the odor can be identified by visually inspecting each module and its associated cables for signs of burned or damaged components, smoke residue, burned traces, or melted or damaged wiring,	Yes	Replace affected module(s). Go to step 2	P08
	No	Unable to locate source of odor. Go to step 3.	
2. Disconnect all third-party devices and cables. Power ON system and verify if smoke or strong odor returns.	Yes	Power down system immediately. Go to step 3.	
	No	System functions correctly. Verify system functionality with third-party devices and cables and return system to user if problem has been resolved. Consult third-party companies as needed for issues with those products.	



3. Verify if source of odor can be located using your nose.	Yes	Replace affected module(s) and retest system.	P08
	No	Contact Apple for assistance if you feel that there is a possible safety issue with computer that has not been resolved in previous steps.	

Uncategorized Symptoms

Quick Check

Symptoms	Quick Check
Uncategorized Symptoms <ul style="list-style-type: none"> Unable to locate appropriate symptom code. 	<ol style="list-style-type: none"> Make sure system is plugged into a known-good outlet. Listen for boot chime, fan, optical drive, or hard drive noise which indicates system is powering up. If noise is heard, go to Won't Start Up symptom flow. If no noise is heard go to No Power, Dead Unit symptom flow. Attempt to boot from Install DVD to isolate possible software issues.

Deep Dive

Check	Result	Action	Code
1. Verify if existing symptom code applies to issue reported by user.	Yes	Jump to appropriate symptom code flow.	
	No	Document reported failure and send feedback to smfeedback2@apple.com stating that a suitable symptom code wasn't found. Provide as much detail as possible.	N99



Display

Backlight Issue/No Backlight

Unlikely cause: hard drive, optical drive, speakers, camera, microphone

Quick Check

Symptoms	Quick Check
Backlight Issue/No Backlight <ul style="list-style-type: none"> No image Partial backlight failure Backlight flickers Display dim 	<ol style="list-style-type: none"> Check for Software Update. Verify that System Preferences > Displays > Brightness control setting is above minimum. If no image on built-in display, connect external display to verify if iMac video circuitry is functioning. If no image visible on external display, go to No Video symptom flow under Startup and Power troubleshooting.

Deep Dive

Check	Result	Action	Code
1. Verify boot chime present and fans running when computer powered ON. (Reset SMC and clear PRAM if necessary for proper boot up.)	Yes	Power on self test OK. Go to step 2.	
	No	Go to Won't Start Up symptom flow.	
2. Verify if image is visible on built-in LCD panel, with adjustable backlight level.	Yes	Video present. Verify system functionality and return to user or go to appropriate troubleshooting flow.	
	No	Go to step 3.	
3. Connect supported external display. Verify if image appears on external display when system is booted.	Yes	External display detected by system. Video circuitry on logic board functional. Go to step 4.	
	No	Go to No Video symptom flow.	
4. Verify if LCD backlight is ON by looking for faint glow from display when viewed in darkened room with brightness set at maximum.	Yes	LED backlight is functioning. Go to step 7.	
	No	Go to step 5.	



5. Shine bright (low heat) flashlight onto front of LCD. With computer powered ON verify if a faint image is visible.	Yes	LCD panel functional but backlight is missing or dim. Remove LCD panel and inspect and reseal the following cable connections: -Backlight power cable between backlight board and LCD panel. -Vertical sync cable between backlight board and LCD panel. -DC power cable to backlight board and power supply. Replace any damaged cable. Reinstall LCD panel and go to step 6.	X03
	No	No image or backlight. Go to step 7.	
6. Power ON system. Verify if image is now visible on LCD panel with correct backlight level.	Yes	Issue resolved.	
	No	Replace LED backlight board. Retest. If issue persists, go to step 7.	M04
7. Inspect and reseal internal DisplayPort cable (between logic board and LCD panel). Power ON system. Verify if image is visible on built-in LCD display.	Yes	Issue resolved.	
	No	Replace internal DisplayPort cable. If issue persists, replace LCD panel. Retest.	X03 L03



Noise / Unstable Flickering

Unlikely cause: camera, microphone

Quick Check

Symptoms	Quick Check
Noise / Unstable Flickering <ul style="list-style-type: none"> • Unstable image • Flickering image • Humming noise from display • High frequency noise from display 	<ol style="list-style-type: none"> 1. Check for Software Update. 2. Verify Mac OS X version installed is the build version supported on the hardware. Make sure customer didn't migrate over their old version of Mac OS. See kBase #TS3101: Mac (Late 2009): Using the correct Mac OS X system software. 3. Verify that intake vent on bottom of computer is not obstructed. 4. Inspect system for third party software that is being used to set fan speeds to a higher than normal RPM. Some users may install this software to monitor and control internal temperatures, potentially causing higher fan speeds to generate higher than expected noise levels.

Deep Dive

Check	Result	Action	Code
1. Verify if user issue is due to flickering, or to an unstable video image on the LCD.	Yes	Suspected flickering issue, go to step 2	
	No	For audible noise issues go to step 8. All other issues go to appropriate symptom flow.	
2. Connect a supported external display to the mini DisplayPort on rear of computer. Verify if issue occurs with external display.	Yes	Suspect issue with video circuitry. Go to Corrupted Video symptom flow.	
	No	Video circuitry OK. Go to step 3.	
3. Disconnect and carefully inspect all four cables on back of LCD panel for signs of damage, corrosion, or pinched wires.	Yes	Replace damaged cable(s) where needed, otherwise reattach connectors. Retest.	X03
	No	Go to step 4.	
4. Power ON computer and verify if issue still occurs.	Yes	If connections are secure and display is still flickering, go to step 5.	
	No	Issue resolved.	



5. Shine bright (low heat) flashlight into front of LCD. Verify if an image is being displayed when flickering issue is occurring.	Yes	Image present but backlight is flickering. Replace vertical sync cable (between LCD panel and backlight board) and retest.	X03
	No	Replace internal DisplayPort cable (between logic board and LCD panel), and retest.	X03
6. Verify if high pitch noise varies when adjusting brightness level up and down.	Yes	Noise seems to be generated by vertical sync cable. Inspect and replace.	X03
	No	Noise is from another source. Go to step 7.	
7. Verify if noise can be heard when computer is set up with user seated in normal user position. Adjusting brightness level up and down may be necessary to recreate issue.	Yes	Replace LED backlight board. Go to step 8.	M04
	No	Noises that are not audible from the normal user position are considered acceptable.	
8. Verify if noise is still present.	Yes	Replace LCD panel. If noise still present, go to Noise/Hum/Vibration symptom flow.	L06
	No	Issue resolved.	



LCD Image Issues

Unlikely cause: power supply, hard drive, optical drive, fans, speakers, camera, microphone

Quick Check

Symptom	Quick Check
LCD Issues <ul style="list-style-type: none"> • Incorrect/missing colors • Distorted/blurred image • Pixel anomalies • Vertical/horizontal lines • Non-uniform brightness • Flickering 	<ol style="list-style-type: none"> 1. Check for Software Update. 2. Verify Mac OS X version installed is the build version supported on the hardware. Make sure customer didn't migrate over their old version of Mac OS. See kBase #TS3101: Mac (Late 2009): Using the correct Mac OS X system software. 3. Allow display to reach normal operating temperature for about 15 minutes before evaluating front-of-screen performance. 4. Check display preferences for use of custom display profile. 5. Check brightness setting. 6. Clean glass panel while checking for dust/debris.

Deep Dive: General

Check	Result	Action	Code
1. Verify if issue is incorrect/missing colors.	Yes	Go to incorrect/missing colors.	
	No	Go to step 2.	
2. Verify if issue is distorted/blurred image.	Yes	Go to distorted/blurred image.	
	No	Go to step 3.	
3. Verify if issue is bright or dark pixel anomalies.	Yes	Go to pixel anomalies.	
	No	Go to step 4.	
4. Verify if issue is vertical or horizontal lines.	Yes	Go to vertical/horizontal lines.	
	No	Go to step 5.	
5. Verify if issue is non-uniform brightness.	Yes	Go to non-uniform brightness.	
	No	LCD functioning OK. Return to appropriate symptom flow if user issue is still present.	



Incorrect/Missing Colors

Unlikely cause: power supply, hard drive, optical drive, fans, speakers, camera, microphone

Quick Check

Symptoms	Quick Check
Incorrect/Missing Colors <ul style="list-style-type: none"> Wrong color display Color/contrast issues 	<ol style="list-style-type: none"> Allow display to reach normal operating temperature for about 15 minutes before evaluating front-of-screen performance. Verify if System Preferences > Display settings are configured to use default display profile. Verify System Preferences > Universal Access > Display "Enhance contrast," "Use grayscale," and "Black on White/White on Black" settings are set to defaults.

Deep Dive

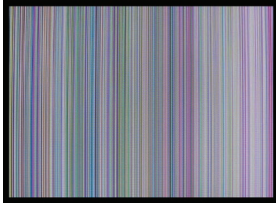
Check	Result	Action	Code
1. Verify computer has been warmed up for about 15 minutes to stabilize backlight before continuing.	Yes	Go to step 2.	
	No	Warm up computer for about 15 minutes. Go to step 2.	
2. Verify if all four cables on back of LCD panel are secure at both ends.	Yes	Go to step 3.	
	No	Reseat connections, replace damaged cable(s) if needed. Retest.	L14
3. Go to System Preferences > Desktop & Screen Saver > Desktop and set color to Solid Gray Light. Verify if incorrect/missing color issue affects entire display.	Yes	Suspect poor video connection. Replace internal DisplayPort cable between logic board and LCD panel.	L14
	No	Go to step 4.	
4. Set up computer side-by-side with a known-good, same-model computer showing same image. Verify if issue is noticeably worse on display being tested.	Yes	Replace LCD panel.	L02
	No	Small variations in color uniformity across display are normal and do not warrant replacement of LCD.	



Distorted/Blurred Image

Unlikely cause: power supply, hard drive, optical drive, fans, speakers, camera, microphone

Quick Check



Symptoms	Quick Check
Distorted/Blurred Image <ul style="list-style-type: none"> Text and graphics appear fuzzy Image corrupted 	<ol style="list-style-type: none"> Check for Software Update. Verify Mac OS X version installed is the build version supported on the hardware. Make sure customer didn't migrate over their old version of Mac OS. See kBase #TS3101: Mac (Late 2009): Using the correct Mac OS X system software. Set System Preferences > Displays to native resolution of LCD. Non-native resolutions are unable to produce optimal clarity. Clean outside of glass panel. Boot from install DVD to determine if a potential software issue exists.

Deep Dive

Check	Result	Action	Code
1. Boot from Install DVD and verify if issue is still visible.	Yes	Go to step 2.	
	No	Issue likely caused by software or driver issue. Troubleshoot for software issues. Make sure all software updates have been installed.	
2. Verify if issue is visible on an external display attached to mini DisplayPort.	Yes	Issue NOT caused by internal LCD panel. Go to step 3.	
	No	Go to step 8.	
3. Disconnect DisplayPort cable between LCD display and logic board, and verify if there is damage to cable or connectors. Repeat with vertical sync cable connected between LCD panel and LED backlight board.	Yes	Replace DisplayPort cable and vertical sync cable or any other damaged part/module.	X03
	No	Reinstall DisplayPort cable and vertical sync cable. Go to step 4.	

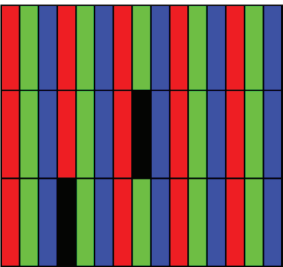
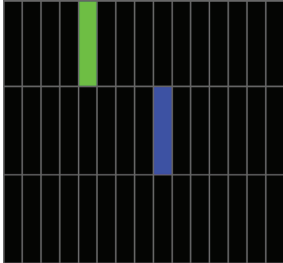


4. Verify if issue is still visible after reinstalling internal DisplayPort cable and vertical sync cable.	Yes	Replace LCD panel. If issue still present go to step 5.	L04
	No	Issue resolved.	
5. Remove video card, inspect connector for damage or corrosion then reinstall. Verify if issue still occurs.	Yes	Replace video card. Go to step 6.	
	No	Issue likely caused by poor video card connection.	
6. Verify if distorted/blurred image issue is still present.	Yes	Replace logic board. Go to step 7.	M04
	No	Issue resolved.	
7. Verify if issue is still present with replacement logic board installed.	Yes	Return to step 1 and retest.	
	No	Issue resolved.	
8. Inspect glass panel. Verify if issue is caused by condensation or contaminants on inside surface of glass panel.	Yes	Clean glass and/or LCD using procedures in Glass Panel take-apart chapter. Identify possible sources of contamination (nearby cigarette/cooking smoke, heavy airborne dust, etc.) to prevent recurrence. Condensation should dissipate after computer has been running a few hours.	
	No	Go to step 9.	
9. Verify if issue is still present with replacement LCD panel installed.	Yes	Return to step 1 and retest.	
	No	Issue resolved.	



Pixel Anomalies

Unlikely cause: logic board, power supply, hard drive, optical drive, fans, speakers, camera, microphone



Quick Check

Symptoms	Quick Check
Pixel Anomalies <ul style="list-style-type: none"> Dark dot anomalies Bright dot anomalies Debris on inside surface of glass panel Debris on surface of LCD panel 	<ol style="list-style-type: none"> Clean outside surface of glass panel. See kBase #HT1721: About LCD display pixel anomalies.

Deep Dive

Check	Result	Action	Code
1. Determine if "defects" are dust/debris on surface of glass panel or LCD.	Yes	Clean glass and/or LCD using procedures in Glass Panel take-apart chapter.	
	No	Go to step 2.	
2. Determine if bright pixel defects exceed acceptable number. See kBase #HT1721: About LCD display pixel anomalies.	Yes	Replace LCD panel.	L08
	No	LCD panel meets bright pixel defect specifications. Go to step 3.	
3. Determine if dark pixel defects exceed acceptable number. See kBase #HT1721: About LCD display pixel anomalies.	Yes	Replace LCD panel.	L08
	No	LCD panel meets dark pixel defect specifications. Go to step 4.	
4. Determine if combination of bright/dark pixel defects exceed acceptable number. See kBase #HT1721: About LCD display pixel anomalies.	Yes	Replace LCD panel.	L08
	No	Explain to user that LCD panel is operating within specifications for pixel defects. Do NOT replace LCD panel.	



Vertical/Horizontal Lines

Unlikely cause: power supply, hard drive, optical drive, fans, speakers, camera, microphone

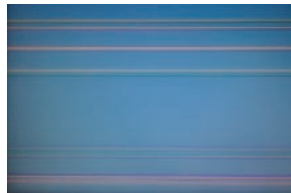
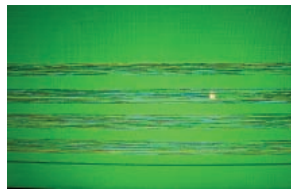
Quick Check



Symptoms	Quick Check
Vertical/Horizontal Lines <ul style="list-style-type: none"> Vertical lines Horizontal lines 	<ol style="list-style-type: none"> 1. Boot from install DVD to determine if potential software issue exists. 2. Verify if issue is visible on an external display.



Deep Dive



Check	Result	Action	Code
1. Boot from Install DVD and verify if issue is still visible.	Yes	Go to step 2.	
	No	Issue likely caused by software or driver issue. Troubleshoot for software issues. Make sure all software updates have been installed.	
2. Verify if issue is visible on an external display attached to mini DisplayPort.	Yes	Issue NOT caused by internal LCD. For systems with a video card, go to step 3. For systems without a video card, go to step 4.	
	No	Go to step 6.	
3. If a video card is present, remove video card and inspect connector for damage or corrosion then reinstall. Verify if issue still occurs.	Yes	Replace video card. Go to step 8.	M24
	No	Issue likely caused by poor video card connection.	
4. For systems without video card, horizontal lines may be related to a failing RAM module. Verify if video issue only happens AFTER Apple logo and spinning wheel appear.	Yes	Issue only happens AFTER Apple logo and spinning wheel appear. Go to step 5.	
	No	Issue present before Apple logo and spinning wheel appear. Go to step 8.	
5. Start with shift key down (safe mode) to disable system extensions. Verify if issue still happens when booting in safe mode.	Yes	Go to step 8.	
	No	No video issue when booting in safe mode. Go to step 6.	



6. Isolate with only one memory module installed, then with the other one. Test with known-good memory. Verify if issue only happens with specific RAM module(s).	Yes	Replace affected RAM module.	X02
	No	Go to step 7.	
7. Isolate with one known-good memory module installed in one memory slot. Repeat by testing in other memory slots. Verify if issue only happens with specific memory slot of logic board.	Yes	Replace logic board and retest.	M07
	No	Go to step 8.	
8. Disconnect DisplayPort cable between LCD display and logic board, and verify if there is damage to cable or connectors. Repeat with vertical sync cable connected between LCD panel and LED backlight board.	Yes	Replace DisplayPort cable and vertical sync cable or any other damaged part/module. Go to step 9.	X04
	No	Reinstall DisplayPort cable and vertical sync cable. Go to step 9.	
9. Verify if issue is still present after reinstalling internal DisplayPort cable and vertical sync cable.	Yes	Replace logic board. If video card was present, reinstall original video card. Go to step 10.	M04
	No	Issue resolved.	
10. Verify if issue is still present with replacement logic board installed.	Yes	Go to step 11.	
	No	Issue resolved.	
11. Reinstall original logic board and verify if issue is still present with original logic board reinstalled.	Yes	Replace LCD panel.	L04
	No	Issue resolved. If a video card was present, reinstall original video card.	



Non-Uniform Brightness

Unlikely cause: power supply, hard drive, optical drive, fans, speakers, camera, microphone

Quick Check



Symptoms	Quick Check
Non-Uniform Brightness <ul style="list-style-type: none"> Brightness not uniform Color not-uniform 	<ol style="list-style-type: none"> Verify System Preferences > Displays > Brightness slider is set above minimum. Allow 15 minutes for backlight to reach normal operating temperature and output before evaluating display. Visually inspect glass panel for presence of dust, cigarette smoke, or other contaminants. Clean glass panel if needed.

Deep Dive

Check	Result	Action	Code
1. Determine if brightness uniformity issue is visible after display has warmed up for about 15 minutes.	Yes	Go to step 2.	
	No	Display backlight can take several minutes to stabilize. Retest. If issue still not visible return computer to user.	
2. Look at user-provided examples showing brightness uniformity issue. Determine if variation in uniformity appears excessive when compared to another same-model computer.	Yes	Go to step 3.	
	No	Demonstrate to user that LCD performs similarly to another computer of the same model.	
3. Remove glass panel and loosen screws securing LCD panel. Determine if brightness uniformity improves.	Yes	Inspect for mechanical interference with screws or cables making contact with back of LCD. Reseat components & cables, retest.	
	No	Go to step 4.	
4. Remove LCD panel, then inspect and reseat backlight cables. Determine if brightness uniformity improves.	Yes	One or more backlight cables were loose.	
	No	Replace LCD panel.	L07



Cosmetic Defects

Symptoms	Quick Check
Cosmetic Defects to LCD <ul style="list-style-type: none"> Cracked glass panel Cracked LCD Scratched LCD polarizer Scorched or melted LCD LCD impact damage Foreign material on LCD or back side of glass panel. 	<ol style="list-style-type: none"> Replace glass panel. Refer to Take Apart/General Information/How to Remove a Broken Glass Panel Determine if damage was caused by user environment, accidental damage, or abuse. If applicable, inform user that Apple does not warrant damage caused by accident, abuse, misuse, flood, fire, earthquake, or other external causes. For more information refer to: http://www.apple.com/legal/warranty For dark and bright pixel anomalies see Pixel Anomalies symptom flow.

Uncategorized Symptoms

Quick Check

Symptoms	Quick Check
Uncategorized Symptoms <ul style="list-style-type: none"> Unable to locate appropriate symptom code. 	<ol style="list-style-type: none"> Make sure brightness level is set above minimum. Clean glass panel to make sure external contaminants are removed prior to evaluating display performance. Allow LCD display to warm up approximately 15 minutes before evaluating display color and brightness uniformity performance.

Deep Dive

Check	Result	Action	Code
1. Verify if existing symptom code applies to issue reported by user.	Yes	Jump to appropriate symptom code flow.	
	No	Document reported failure and send feedback to smfeedback2@apple.com stating that a suitable symptom code wasn't found. Provide as much detail as possible.	N99



Mass Storage

Hard Drive Not Recognized

Unlikely cause: LCD panel, power supply, fans, speakers, camera, microphone

Quick Check

Symptoms	Quick Check
Drive Not Recognized Drive No Boot <ul style="list-style-type: none"> Flashing Question Mark Boots to Grey Screen Boots to Blue Screen Boots to Prohibitory Symbol (Review kBase #HT2674: Intel-based Mac: Startup sequence and error codes, symbols)	<ol style="list-style-type: none"> Use a known-good mouse. A stuck mouse button will not allow boot. Boot from Install DVD. Use Disk Utility to verify S.M.A.R.T. status of hard drive. Use Disk Utility to repair disk. Verify that user's data is backed up and that user authorizes erasing disk and reinstalling software. Use Target Disk Mode to mount user's hard drive on a known-good computer. Use Disk Utility on host computer for Quick Checks 2 through 4.

Deep Dive

Check	Result	Action	Code
1. Boot from Install DVD and run Disk Utility. Verify if user's hard drive is available for Disk Utility to repair.	Yes	Go to step 2.	
	No	Go to step 5.	
2. Run Disk Utility's "Repair Disk" function and verify if it completes successfully.	Yes	Go to step 3.	
	No	Go to step 4.	
3. Reboot computer. Verify if system boots successfully and that Disk Utility "Verify" function reports no errors.	Yes	Data error. Issue resolved.	H07
	No	Go to step 4.	
4. With user's permission, erase hard drive and reinstall Mac OS. Verify if installation process completes.	Yes	Go to step 8.	
	No	Go to step 5.	
5. Inspect hard drive SATA and power cables and connectors for bent pins, or other damage to the cable.	Yes	Replace damaged SATA cable or DC power cable. Go to step 8.	X03
	No	Go to step 6.	



6. Reseat hard drive SATA cable at logic board and hard drive connections, and verify if computer starts up.	Yes	Go to step 8.	
	No	Replace SATA cable. Go to step 8.	X03
7. Test with known-good bootable hard drive. Verify if system boots successfully and that Disk Utility "Verify" function reports no errors.	Yes	Install user's hard drive. Go to step 9.	
	No	SATA cable verified or replaced and known-good hard drive installed. Replace logic board. Go to step 1.	
8. Reboot computer. Verify if system boots successfully and that Disk Utility "Verify" function reports no errors.	Yes	Issue resolved. Return system to user.	
	No	Go to step 7.	
9. Reboot computer. Verify if system boots successfully and that Disk Utility "Verify" function reports no errors.	Yes	Issue resolved.	
	No	User's hard drive appears to be defective. Go to step 10.	
10. Replace hard drive. Boot from system-specific Install DVD and reinstall Mac OS X with drive format option. Verify if drive is formatted correctly (GUID partition table) and that software restore was successful.	Yes	Issue resolved by replacing hard drive.	H01
	No	SATA cable verified/replaced and new hard drive installed, Check with known-good restore DVD. If restore failure still happens, go to step 11.	
11. If restore is unsuccessful, startup a known-good system in Target Disk Mode and connect it to the user's system with a FireWire cable. Once set up, insert the iMac Install Disc in its optical drive. Startup user's system while holding Option key, select and boot from the Install Disc DVD and restore system software. Verify if software restore was successful.	Yes	Restore failure seems to be due to internal optical drive or media issue. Go to Optical Drive Read/Write Error symptom flow.	
	No	Restore failure seems to be due to internal SATA bus issue. Replace logic board.	M19



Hard Drive Read/Write Errors

Unlikely cause: LCD panel, power supply, fans, speakers, camera, microphone

Quick Check

Symptoms	Quick Check
Drive Read/Write Error Drive Bad Sector/Defective Drive Formatting Issues <ul style="list-style-type: none"> • Cannot save documents • Read/write error message • Hang when accessing or saving data 	<ol style="list-style-type: none"> 1. Boot from Install DVD. Use Disk Utility to verify S.M.A.R.T. status of hard drive. 2. Use Disk Utility to repair disk. 3. Verify that user's data is backed up and that user authorizes erasing disk and reinstalling software. 4. Use Target Disk Mode to mount user's hard drive on a known-good computer. Use Disk Utility on host computer for Quick Checks 2 through 3.

Deep Dive

Check	Result	Action	Code
1. Run Disk Utility 'Repair Disk' function and verify if it completes successfully.	Yes	Go to step 2.	
	No	Go to step 3.	
2. Reboot computer. Verify if system boots successfully and that Disk Utility "Verify" function reports no errors.	Yes	Data error. Issue resolved.	H07
	No	Go to step 3.	
3. With user's permission, erase hard drive and reinstall Mac OS. Verify if installation process completes.	Yes	Go to step 6.	
	No	Go to step 4.	
4. Inspect hard drive SATA, power cables and connectors for bent pins, or other damage to the cable.	Yes	Replace damaged cable. Go to step 6.	H04
	No	Go to step 5.	
5. Reseat SATA cable on hard drive and logic board. Verify if computer starts up.	Yes	Go to step 6.	
	No	Replace hard drive data cable. Go to step 6.	H04
6. Reboot computer. Verify if system boots successfully and Disk Utility "Verify" function reports no errors.	Yes	Issue resolved.	
	No	Go to step 7.	



7. Test with known-good hard drive. Verify if system boots successfully and Disk Utility "Verify" function reports no errors.	Yes	Reinstall user's hard drive, go to step 8.	
	No	SATA cable verified or replaced and known-good hard drive installed. Replace logic board.	
8. Reboot computer. Verify if system boots successfully and that Disk Utility "Verify" function reports no errors.	Yes	Issue resolved.	
	No	User's hard drive appears to be defective. Go to step 9.	
9. Replace user's hard drive. Verify if drive formats correctly with a GUID partition map and installs Mac OS without errors.	Yes	Issue resolved by replacing user's hard drive.	H03
	No	SATA cable verified or replaced and new hard drive did not resolve issue. Replace logic board.	M19

Hard Drive Noisy

Unlikely cause: LCD panel, logic board, power supply, speakers, camera, microphone

Quick Check

Symptoms	Quick Check
Hard Drive Noisy <ul style="list-style-type: none"> Noise during start up Noise during operation Noise when drive is copying or saving data 	<ol style="list-style-type: none"> Boot from Install DVD. Use Disk Utility to verify S.M.A.R.T. status of hard drive. Use Disk Utility to repair disk. Determine if noise is comparable to another machine of the same model.

Deep Dive

Check	Result	Action	Code
1. Boot from the Install DVD and run Disk Utility. Verify if user hard drive is available for Disk Utility to repair.	Yes	Go to step 2.	
	No	Go to Hard Drive Not Recognized symptom flow.	
2. Run Disk Utility 'Repair Disk' function and verify if it completes successfully.	Yes	Go to step 3.	
	No	Go to step 4.	



3. Restart the computer. Verify if the noise is still present.	Yes	Go to step 4.	
	No	Issue resolved. Return system to user.	H06
4. With user's permission, erase hard drive and reinstall Mac OS. Verify if installation process completes.	Yes	Go to step 3.	
	No	Replace hard drive. Go to step 5.	
5. With replacement hard drive installed, reboot computer. Verify if noise is still present.	Yes	Replacement hard drive did not resolve issue. Go to step 6.	
	No	Issue resolved by replacing hard drive.	H06
6. With hard drive removed verify if rubber vibration isolation grommets are properly installed in hard drive bracket (attached to hard drive) and to mechanism in rear housing (where hard drive pins insert).	Yes	Go to step 8.	
	No	If grommets are missing or damaged, replace hard drive bracket or mechanism as appropriate. Go to step 7.	
7. Reboot computer. Verify if noise is still present.	Yes	Go to step 8.	
	No	Issue resolved by replacing hard drive bracket. Return system to user.	H06
8. Disconnect hard drive SATA and power connections then boot from the Install DVD. Verify if noise is caused by fans.	Yes	Go to Fan Failures/Thermal Issues symptom flow.	
	No	Go to step 9.	
9. Disconnect hard drive and optical drive then boot from an external volume. Verify if noise disappears when optical drive has been disconnected.	Yes	Possible optical drive or media issue. Go to Optical Drive Noisy symptom flow.	
	No	Noise issue still present, but does not appear to be caused by hard drive. Go to Noise/Hum/Vibration symptom flow.	



Optical Drive Not Recognized

Unlikely cause: LCD panel, power supply, fans, speakers, camera, microphone

Quick Check

Symptoms	Quick Check
Drive Not Recognized/Mount <ul style="list-style-type: none"> Discs inject and eject, but do not appear in Finder 	<ol style="list-style-type: none"> Use System Profiler Serial-ATA section to see if optical drive appears. System Profiler Serial-ATA section will show any media inserted. Check Finder Preferences and make sure “CD’s, DVD’s and iPods” is checked under “Show these items on the desktop” in the General section.

Deep Dive

Check	Result	Action	Code
1. Verify if optical drive is listed in Serial-ATA section of System Profiler.	Yes	Go to step 2.	
	No	Go to step 3.	
2. Test both CD and DVD media. Verify if optical drive can read both CD and DVD media.	Yes	No issue, or possible intermittent issue. Gather more information from user.	
	No	<p>If both types of media fail, check that Finder Preferences are set to “show CD’s and DVD’s”; then go to step 3.</p> <p>If only one type of media fails, drive has a laser pickup issue. Replace optical drive.</p>	J03
3. Connect known-good optical drive to SATA cable. Verify if both CD and DVD media are read reliably.	Yes	SATA cable and port on logic board good. Go to step 5.	
	No	Go to step 4.	
4. Reseat SATA cable connections at optical drive and logic board (cable connects to back of logic board). Verify if both CD and DVD media are read reliably.	Yes	Go to step 6.	
	No	<p>Replace SATA cable and test.</p> <p>If issue persists, replace logic board.</p> <p>Go to step 6.</p>	X03 M19



5. Connect original optical drive to known-good SATA cable. Verify if both CD and DVD media are read reliably.	Yes	SATA cable issue. Replace SATA cable. Go to step 6.	X03
	No	Replace optical drive.	J03
6. Test read compatible known-good CD and DVD media (Install DVD). Verify if media is recognized and reads reliably.	Yes	Issue resolved.	
	No	Replace optical drive.	J03

Optical Drive Won't Accept/Eject Media

Unlikely cause: LCD panel, power supply, fans, speakers, camera, microphone

Quick Check

Symptoms	Quick Check
Drive Won't Accept Media Drive Won't Eject Media <ul style="list-style-type: none"> • Cannot insert a disc into drive • Cannot eject a disc from drive 	<ol style="list-style-type: none"> 1. Use System Profiler Serial-ATA section to see if optical drive appears. If not, go to Optical Drive Not Recognized symptom flow. 2. Restart computer and hold down mouse button or keyboard eject key to cycle optical drive. 3. Inspect optical drive slot for obstructions

Deep Dive

Check	Result	Action	Code
1. Verify if optical drive is listed in System Profiler device tree for Serial-ATA devices.	Yes	Optical drive communicating with logic board. Go to step 5.	
	No	Go to step 2.	
2. Verify SATA cable connections between optical drive and logic board. Visually inspect cables and connectors for any debris, damage or bent pins. Verify if optical drive is listed in System Profiler device tree.	Yes	Optical drive communicating with logic board. Go to step 5.	
	No	Replace damaged cables and retest. If connections are good and no visible cable damage, go to step 3.	X03
3. Connect known-good optical drive to SATA cable. Verify if known-good optical drive is listed in the System Profiler device tree.	Yes	Go to step 4.	
	No	Suspect bad SATA cable. Go to step 7.	



4. With known-good optical drive installed, test for media inject/eject. Verify if drive accepts and ejects known-good media.	Yes	Known-good optical drive resolved inject/eject issue. Replace optical drive.	J03
	No	Go to step 7.	
5. Inspect optical drive slot during disc insert/eject. Verify if discs can be inserted easily.	Yes	Go to step 6.	
	No	Verify correct optical drive bezel alignment with enclosure. Reseat optical drive then retest. If issue persists, replace optical drive.	J03
6. With known-good optical media (Install DVD), test for media inject/eject. Verify if drive accepts and ejects known-good media.	Yes	Media issue. No repair necessary. Suggest user investigate use of different media.	
	No	Go to step 3.	
7. Replace SATA cable then test for media inject/eject. Verify if drive injects and ejects known-good media.	Yes	SATA cable resolved issue. Return system to user.	X03
	No	SATA cable verified or replaced, and optical drive verified or replaced. Replace logic board and retest.	M19

Optical Drive Read/Write Error

Unlikely cause: LCD panel, power supply, fans, speakers, camera, microphone

Quick Check

Symptoms	Quick Check
Drive Read/Write Data Error <ul style="list-style-type: none"> Errors when writing optical media. Errors when reading optical media. Hang when accessing or preparing to write data. 	<ol style="list-style-type: none"> Test optical media in a known-good optical drive in the same type of computer to rule out media issue. Check with known-good discs like the Install DVD that came with the computer. For write issues, check with known-good media that performs well in a known-good optical drive in the same type of computer.



Deep Dive

Check	Result	Action	Code
1. Verify if media is free to spin without optical drive scraping edge or surface of media.	Yes	Go to step 2.	
	No	Replace optical drive.	J05
2. Test both CD and DVD media. Verify if drive can read both CD and DVD media.	Yes	Go to step 6.	
	No	If both types of media fail, check that Finder Preferences are set to “show CD’s and DVD’s;” then go to step 3. If only one type of media fails, drive has a laser pickup issue. Replace optical drive.	J03
3. Connect known-good optical drive to SATA cable. Verify if both CD and DVD media are read reliably.	Yes	SATA cable and port on logic board good. Go to step 5.	
	No	Go to step 4.	
4. Reseat SATA cable connections at optical drive and logic board (cable connects to back of logic board). Verify if both CD and DVD media are read reliably.	Yes	Go to step 6.	
	No	Replace SATA cable and test. If issue persists, replace logic board. Go to step 6.	X03 M19
5. Connect original optical drive to known-good SATA cable. Verify if both CD and DVD media are read reliably.	Yes	SATA cable issue. Replace SATA cable. Go to step 6.	X03
	No	Replace optical drive.	J03
6. Test write data to compatible CD and DVD media. Verify if burned media is recognized and read reliably.	Yes	Issue resolved.	
	No	Run ODD sensor and ODD fan tests in ASD: If errors found check ODD sensor and ODD fan connections to logic board (read/write errors may be due to drive being too hot). If no errors are found while running diagnostics, replace optical drive.	J03



Optical Drive Not Performing to Specifications

Unlikely cause: LCD panel, power supply, fans, speakers, camera, microphone

Quick Check

Symptoms	Quick Check
Optical Drive Not Performing to Specifications <ul style="list-style-type: none"> Read or write speeds slower than expected 	<ol style="list-style-type: none"> Test optical media in another computer of the same type to rule out media issue. For write issues, check with known-good media that performs well in another computer and drive of the same type.

Deep Dive

Check	Result	Action	Code
1. Test both CD and DVD media. Verify if optical drive can read both CD and DVD media.	Yes	Go to step 5.	
	No	If both types of media fail, check that Finder Preferences are set to “show CD’s and DVD’s;” then go to step 2. If only one type of media fails, drive has a laser pickup issue. Replace optical drive.	J03
2. Connect known-good optical drive to SATA cable. Verify if both CD and DVD media are read reliably.	Yes	SATA cable and port on logic board good. Go to step 4.	
	No	Go to step 3.	
3. Reseat SATA cable connections at optical drive and logic board (cable connects to back of logic board). Verify if both CD and DVD media are read reliably.	Yes	Go to step 5.	
	No	Replace SATA cable and test. If issue persists, replace logic board. Go to step 5.	X03 M19
4. Connect original optical drive to known-good SATA cable. Verify if both CD and DVD media are read reliably.	Yes	SATA cable issue. Replace SATA cable. Go to step 5.	X03
	No	Replace optical drive.	J03
5. Test write data to compatible CD and DVD media. Verify if burned media is recognized and read reliably.	Yes	Issue resolved.	
	No	Go to step 6.	



6. Media that is out of balance may not perform well at higher speeds even though higher speeds may be supported by the optical drive. Verify if slowing requested burn speed allows discs to be written reliably.	Yes	Media issue. No repair necessary.	
	No	Go to step 7.	
7. Test write data to compatible CD and DVD media. Verify burned media is recognized and reads reliably.	Yes	Issue resolved.	
	No	Run ODD sensor and ODD fan tests in ASD: If errors found check ODD sensor and ODD fan connections to logic board (read/write errors may be due to drive being too hot). If no errors are found while running diagnostics, replace optical drive.	J03

Optical Drive Noisy

Unlikely cause: LCD panel, power supply, fans, speakers, camera, microphone

Quick Check

Symptoms	Quick Check
Optical Drive Noisy (J04) <ul style="list-style-type: none"> Noise during boot Noise during operation Noise when drive is copying or writing data 	<ol style="list-style-type: none"> Test optical media in another computer of the same type to rule out media issue. Check with known-good discs like the Install DVD that came with the computer. Verify if noise occurs without media in optical drive. If so, verify if noise made by hard drive or fans.

Deep Dive

Check	Result	Action	Code
1. Test optical drive with different source of media. Does the noise issue remain?	Yes	Go to step 2.	
	No	Issue due to unbalanced media. Recommend using different media.	



2. Reseat optical drive in enclosure. Does noise issue remain?	Yes	Go to step 3.	
	No	Issue resolved by reseating drive in enclosure.	
3. Install known-good optical drive in enclosure. Does noise issue remain?	Yes	Go to step 4.	
	No	Replace optical drive.	J04
4. Compare system with similar model for optical drive noise in operation and verify that noise level is similar.	Yes	Noise level of optical drive appears to be within specification. Return system to user.	
	No	Check for other causes of noise in the system.	

SD Card Will Not Insert Into Slot

Unlikely cause: LCD panel, logic board, optical drive, hard drive

Quick Check

Symptom	Quick Check
SD Card will not insert into slot <ul style="list-style-type: none"> SD Memory Card does not fully seat into slot Card slot does not align with enclosure. 	<ol style="list-style-type: none"> The SD card must be a 32 mm by 24 mm by 2.1 mm. You can also use thinner cards, such as Multi Media Cards (MMC). Clear any obstruction in SD card slot.

Deep Dive

Check	Result	Action	Code
1. Verify if known-good SD card fits in slot.	Yes	Ask user to replace defective or out-of-spec SD card.	
	No	Loosen the SD board screws, then insert known-good SD card again. Go to step 2.	
2. Verify if known-good SD card now fits in slot.	Yes	Tighten SD board screws. Go to step 3.	
	No	Replace SD board and retest.	M17



3. Verify if SD card now ejects and inserts without issue.	Yes	Issue resolved by SD board alignment.	
	No	Replace SD board.	M17

SD Card Not Recognized

Unlikely cause: LCD panel, logic board, optical drive, hard drive

Quick Check

Symptom	Quick Check
SD Card Not Recognized <ul style="list-style-type: none"> Card does not show up on desktop or in System Profiler 	<ol style="list-style-type: none"> Insert user's SD card into a known-good system and verify that it functions properly. If card cannot be read, contact card manufacturer for support options. Verify SD card slot with known-good SD card. Check correct drivers are installed for user's SD card type. Standard SD cards are supported by Mac OS X, but others may require specific driver software to be used.

Deep Dive

Check	Result	Action	Code
1. Verify if SD card inserts correctly in SD slot.	Yes	Go to step 2.	
	No	Go to SD Card Will Not Insert Into Slot symptom flow.	
2. Unlock and insert user's SD card and verify it shows up on desktop or in System Profiler.	Yes	Go to step 6.	
	No	Go to step 3.	
3. Insert a known-good unlocked SD card and verify if read/write capabilities are working.	Yes	User's SD card not functioning properly. Contact card manufacturer for support.	
	No	Go to step 4.	



4. Run System Profiler and verify if SD card reader is now listed in USB devices.	Yes	Go to step 5.	
	No	Reseat SD cable at SD board and logic board If issue persists, replace SD cable. If issue persists, replace SD board. If issue persists, replace logic board.	M17 M17 M17
5. Verify if a known-good unlocked SD card can now be correctly read and written.	Yes	Go to step 6.	
	No	Replace SD board.	M17
6. Lock the user's SD card and verify if it can't be written.	Yes	Issue resolved.	
	No	Replace SD board.	M17

Uncategorized Symptoms

Check	Result	Action	Code
1. Verify if existing symptom code applies to issue reported by user.	Yes	Jump to appropriate symptom code flow.	
	No	Document reported failure and send feedback to smfeedback2@apple.com stating that a suitable symptom code wasn't found. Provide as much detail as possible.	N99



Communications

AirPort/Bluetooth Issues

Quick Check

Symptoms	Quick Check
AirPort/Bluetooth Issues <ul style="list-style-type: none"> • Unable to join networks or pair devices • AirPort card not available • Intermittent device or connection dropouts • Limited wireless range 	<ol style="list-style-type: none"> 1. Verify that AirPort or Bluetooth is turned ON, and for AirPort issues make sure that a network is selected. 2. For AirPort, check if the wireless access point requires special connection and encryption protocols. 3. Check for nearby sources of interference such as microwave ovens or cordless phones. See kBase #HT1365: AirPort: Potential source of interference. 4. Check the number of users trying to use AirPort in the area for possible network congestion (available bandwidth). 5. Isolate potential OS issues by starting up from original Install media for the computer, a same-model computer in Target Disk Mode, or compatible known-good OS on an external drive. Both AirPort and Bluetooth services are available when booted from Install disc.

Deep Dive

Check	Result	Action	Code
1. Open System Profiler. AirPort is listed under Network, while Bluetooth is listed under USB. Verify if both AirPort and Bluetooth cards are recognized.	Yes	Install all software updates for AirPort/Bluetooth and re-test. If issue persists after software update, go to step 4 for AirPort, or go to step 6 for Bluetooth.	
	No	Go to step 2 for AirPort. Go to step 6 for Bluetooth.	M11
2. Reseat both AirPort cable connection on logic board and on AirPort card carrier ends. Verify if AirPort card is now listed in Apple System Profiler.	Yes	Issue resolved by reseating AirPort cable.	
	No	Replace AirPort cable and re-test. Go to step 3.	



3. After cable has been replaced, verify if AirPort card is now listed in Apple System Profiler.	Yes	Issue resolved by replacing AirPort cable.	X03
	No	Replace AirPort card carrier board and re-test. If issue persists (card not seen on bus), replace AirPort card.	M11
4. Enable AirPort and verify if known local AirPort networks are available, or create a computer-to-computer network with another Macintosh computer using AirPort. See http://docs.info.apple.com/article.html?path=AirPort/5.0/en/ap2110.html . Verify if you connect successfully.	Yes	Issue resolved.	
	No	Go to step 5.	
5. Check and reseat the two antennas to the AirPort card. Verify if you can connect to known AirPort network.	Yes	Issue resolved.	
	No	Replace AirPort card. If issue persists, replace AirPort antenna(s). If damaged antenna is the one embedded in rear housing behind Apple logo, replace rear housing.	N04
6. Verify that computer and Bluetooth device are both in discoverable mode. Verify if you can now successfully and reliably pair the device.	Yes	Issue resolved.	
	No	Replace Bluetooth antenna. Go to step 7.	M11
7. Re-test with new Bluetooth antenna and verify if Bluetooth issues are resolved.	Yes	Issue resolved.	
	No	Replace Bluetooth card.	M11



AirPort Card Kernel Panic

Quick Check

Symptoms	Quick Check
AirPort Card Kernel Panic <ul style="list-style-type: none"> Kernel Panic on startup Kernel Panic or freezing while attempting to connect to WiFi networks Kernel Panic while transferring data on WiFi networks 	<ol style="list-style-type: none"> Isolate OS by starting up from original Install media for this computer, a same-model computer in Target Disk Mode, or compatible known-good OS on an external drive. AirPort and Bluetooth services are available when booted from the Install disk. Ensure that all software and firmware updates for the computer and AirPort been installed.

Deep Dive

Check	Result	Action	Code
1. Disconnect AirPort card cable end from logic board. Verify if computer starts now without kernel panic.	Yes	Reseat AirPort card cable and retest. If problem continues replace cable. Go to step 2.	
	No	Kernel panic not related to AirPort. Restart from Install DVD or known-good bootable external drive and check Panic.Log file on user's hard drive to find out which is the crashing I/O interface. Also troubleshoot installed Mac OS X software..	
2. With replacement AirPort card cable installed, verify if computer starts now without kernel panic.	Yes	AirPort cable issue. Issue resolved.	N13
	No	Replace AirPort card carrier board and re-test. If issue remains, replace AirPort card. Go to step 3.	
3. With replacement AirPort carrier or card installed, verify if computer starts now without kernel panic.	Yes	AirPort carrier or card issue. Issue resolved.	N13
	No	Replace logic board.	M11



Ethernet Port/Device Issue

Unlikely cause: LCD display, power supply, hard drive, optical drive, fans

Quick Check

Symptoms	Quick Check
Ethernet Port/Device Issue <ul style="list-style-type: none"> No Ethernet device present Unable to access network resources Ethernet device shows no connection Ethernet device unable to an IP address Slow network performance 	<ol style="list-style-type: none"> Check Ethernet cable for damage. Try a known good Ethernet cable – CAT5 or better recommended for 100Mbps+ connections. Check Ethernet ports on the computer and wall/switch for dust, debris, damage or bent pins. Ensure distance from networking infrastructure is less than 300 feet/ 105 meters. Verify port, cable and network hardware with a known good system. Isolate firewall, MAC address filtering or hardware access control devices. Isolate OS by starting up from original Install media for this computer, a same-model computer in Target Disk Mode, or compatible known-good OS on an external drive.

Deep Dive

Check	Result	Action	Code
1. Visually inspect Ethernet port of computer and ensure that all pins will make physical contact with the Ethernet cable.	Yes	Go to step 2.	
	No	Pins are damaged, bent flat or missing. Replace logic board.	M24
2. Boot from original Install media. Verify Network Link status is active by using Network Utility under the “Info” tab. Verify if the Link Status is “Active”.	Yes	Go to step 3.	
	No	If same Ethernet cable gives an “Active” link status on a known-good, same-model computer, replace logic board.	M10
3. Connect computer to another Mac using CAT5 Ethernet cable. See article http://docs.info.apple.com/article.html?path=Mac/10.5/en/8429.html . Verify if you connect successfully.	Yes	Ethernet communication good. Go to step 4.	
	No	If same Ethernet cable and computer connects to a known-good, same-model computer, replace logic board.	M10



4. Check for speed and duplex issues on network. Open System Preference > Network; click the Advanced button, then the Ethernet tab. Verify if the speed and duplex reported are what is expected.	Yes	Go to step 5.	
	No	Change speed and duplex settings. See article http://docs.info.apple.com/article.html?path=Mac/10.5/en/8711.html . Go to step 6.	
5. Check for MTU (Maximum Transmission Unit) issues. See kBase #HT2532: Mac OS X: How to change the MTU for troubleshooting purposes . Verify if changing MTU settings on computer resolves issue.	Yes	Go to step 6.	
	No	Ethernet controller damaged. Replace logic board.	M10
6. If changing speed, duplex or MTU settings allows connectivity, check with a known-good, same-model computer. Verify if known-good computer produces the same results.	Yes	Check with ISP or Network Administrator concerning speed, duplex & MTU settings.	
	No	Verify with known good OS. If issue persists, replace logic board.	M10

Wireless Input Device Doesn't Pair

Quick Check

Symptoms	Quick Check
Wireless Input Device Doesn't Pair <ul style="list-style-type: none"> Can't get system to recognize the Bluetooth keyboard or mouse 	<ol style="list-style-type: none"> Remove and reinstall batteries for device. Check that device is powering on. Use known-good batteries with device. Ensure that device is being used within 30-foot range for Bluetooth devices. Ensure that the latest Software Updates have been applied.



Deep Dive

Check	Result	Action	Code
1. Without any wired input devices connected, and with a wireless mouse in discoverable mode, startup the computer. Verify if computer shows the Bluetooth Mouse Setup Assistant.	Yes	Bluetooth hardware is active. Go to step 6.	
	No	Go to step 2.	
2. Connect a wired mouse and run Apple System Profiler. Verify if Bluetooth interface is listed under USB in System Profiler.	Yes	Bluetooth hardware is present. Go to step 6.	
	No	Remove glass and LCD panel, reseal both ends of cable between Bluetooth board and logic board. Go to step 3.	
3. Use an external monitor. Run Apple System Profiler. Verify if Bluetooth interface is listed under USB in System Profiler.	Yes	Bluetooth hardware is now present. Go to step 6.	
	No	Replace Bluetooth cable. Go to step 4.	X03
4. Run Apple System Profiler. Verify if Bluetooth interface is listed under USB in System Profiler.	Yes	Bluetooth hardware is now present. Go to step 6.	
	No	Replace Bluetooth board. Go to step 5.	M11
5. Run Apple System Profiler. Verify if Bluetooth interface is listed under USB in System Profiler.	Yes	Bluetooth hardware is now present. Go to step 6.	
	No	Replace logic board.	M11
6. Run Software Update and apply any available Bluetooth updates. Activate Bluetooth in System Preferences (or Apple menu icon) then select "Configure a new Bluetooth device" (or run Bluetooth Mouse Setup Assistant). Verify if Bluetooth mouse is seen.	Yes	Bluetooth discovery is now active. Go to step 7.	
	No	Replace Bluetooth antenna.	X03
7. With a wireless mouse on, and in discoverable mode, verify if you can successfully pair the mouse with the assistant.	Yes	Check for stability. Go to step 8.	
	No	Go to Wireless Input Device Loses Connection symptom flow.	



8. With wireless mouse paired, verify if the mouse stays connected.	Yes	Issue resolved.	
	No	Inspect and reseal Bluetooth antenna cable. Replace a damaged antenna cable, or Bluetooth board if its antenna connector is damaged. Go to step 9.	
9. With wireless mouse paired, verify if the mouse stays connected.	Yes	Antenna issue. Issue resolved.	
	No	Go to Wireless Input Device Loses Connection symptom flow.	

Wireless Input Device Loses Connection

Quick Check

Symptoms	Quick Check
Wireless Input Device Loses Connection <ul style="list-style-type: none"> Wireless keyboard, mouse, or other wireless input device loses connection. 	<ol style="list-style-type: none"> Remove and reinstall batteries for device. Check that device is powering on. Use known-good batteries with device. Ensure other devices pair and keep connection without issue. If not, see AirPort/Bluetooth Issues symptom flow. Ensure that device is being used within 30-foot range for Bluetooth devices. Ensure that the latest Software Updates have been applied.

Deep Dive

Check	Result	Action	Code
1. Open System Preferences > Bluetooth. Paired items and their connection status are shown. Verify if device is listed.	Yes	Device has been paired. Go to step 2.	
	No	Device is not paired. Make device discoverable and open Bluetooth Setup Assistant. Go to step 3.	



2. Make sure device is on. In System Preferences > Bluetooth, select device and from the Action menu (gear) choose "Connect". Verify if device connects successfully.	Yes	Go to step 7.	
	No	Delete pairing in System Preferences. Go to step 3.	
3. With the device on, run Bluetooth Setup Assistant. Verify if you can successfully pair the device.	Yes	Go to step 7.	
	No	Restart computer. Go to step 4.	
4. With device on, run Bluetooth Setup Assistant. Verify if you can successfully pair device.	Yes	Go to step 7.	
	No	Create a new Admin User. Go to step 5.	
5. Log into new Admin User account. With device on, run Bluetooth Setup Assistant. Verify if you can successfully pair device with new user account.	Yes	User account issue. Troubleshoot software on User account. No hardware repair needed.	
	No	Remove the following file: /Library/Preferences/com.apple.Bluetooth.plist Go to step 6.	
6. Restart computer, With device on, run Bluetooth Setup Assistant. Verify if you can successfully pair device.	Yes	Go to step 7.	
	No	Go to AirPort/Bluetooth Issues symptom flow.	
7. With device paired and connected, verify if device connection is stable if used normally.	Yes	Issue resolved.	
	No	Check wireless device manual to verify if device is being used in accordance with manufacturer's specifications (range, OS support, battery types). Go to step 8.	
8. Verify if device is performing to stated specifications.	Yes	Educate user. Issue resolved.	
	No	Replace wireless device.	



Uncategorized Symptoms

Quick Check

Symptoms	Quick Check
Uncategorized Symptoms <ul style="list-style-type: none"> Unable to locate appropriate symptom code. 	<ol style="list-style-type: none"> Verify System Preferences/Network settings are configured appropriately to support communication method. For Ethernet connection issues verify that cable being used functions when used with another known-good system. For wireless connection issues review user environment to determine whether possible interference from other 2.4GHz communications devices might be contributing to issue. See kBase #HT1365: AirPort: Potential sources of interference

Deep Dive

Check	Result	Action	Code
1. Verify if existing symptom code applies to issue reported by user.	Yes	Jump to appropriate symptom code flow.	
	No	Document reported failure and send feedback to smfeedback2@apple.com stating that a suitable symptom code wasn't found. Provide as much detail as possible.	N99



Input/Output Devices

Apple Remote Inoperable

Unlikely cause: LCD display, power supply, hard drive, optical drive, fans

Quick Check

Symptoms	Quick Check
Apple Remote Inoperable <ul style="list-style-type: none"> Apple Remote doesn't bring up Front Row Apple Remote doesn't control iTunes Apple Remote doesn't control computer volume 	<ol style="list-style-type: none"> Make sure Apple Remote is within 30 ft. of computer, and has an unobstructed line-of-sight to computer. Make sure lens end of Apple Remote is pointing directly at front of computer. Make sure "Disable remote control infrared receiver" checkbox in System Preferences > Security is not checked. Ensure that all software and firmware updates for this model have been installed to take advantage of any available bug fixes.

Deep Dive

Check	Result	Action	Code
1. Open Photo Booth or iChat's video preview window. Point Apple Remote at built-in camera and press any button on Apple Remote. Verify if a white, flashing light is visible in video preview.	Yes	Apple Remote is functioning. Go to step 2.	
	No	Replace Apple Remote battery. Go to step 3.	
2. Open System Preferences > Security. Verify if "Unpair" setting is available in this preference panel.	Yes	Click "Unpair" button to disable possible pairing with another Apple Remote. Go to step 4.	
	No	Possible IR board issue. Go to step 5.	
3. With replacement battery, verify if white flashing light is visible coming from Apple Remote in video preview window.	Yes	Battery issue. Issue resolved.	X05
	No	Apple Remote defective. Replace Apple Remote.	X04



4. After clicking "Unpair," verify if the computer now responds to the Apple Remote.	Yes	Pairing issue. Issue resolved.	
	No	Possible IR board issue. Go to step 5.	
5. Open Apple System Profiler. Verify if "IR Receiver" is listed in USB list of devices.	Yes	IR board reporting on USB bus. Check for lens block. Go to step 6.	
	No	Inspect and reseat IR cable connection to logic board. Go to step 7.	
6. Check that IR board is correctly fitted and aligned with Apple window and that lens is not blocked by any foreign material and re-test. Verify if computer responds to Apple Remote.	Yes	Lens blocked or sensor not aligned with window. Issue resolved.	X03
	No	Lens damaged or inoperable. Replace IR board. Go to step 7.	
7. After reseating or replacing IR board, verify if "IR Receiver" is listed under USB in Apple System Profiler, and that computer now responds to Apple Remote.	Yes	IR module resealed/replaced. Issue resolved.	X03
	No	If IR board was only resealed, replace IR cable. Go to step 8.	
8. After replacing IR cable, verify if "IR Receiver" is listed under USB in Apple System Profiler, and that computer now responds to Apple Remote.	Yes	IR cable replaced. Issue resolved.	X03
	No	Replace IR board. Go to step 9.	
9. After replacing IR board, verify if "IR Receiver" is listed under USB in Apple System Profiler, and that computer now responds to Apple Remote.	Yes	IR board replaced. Issue resolved.	X03
	No	Replace logic board.	M23



Audio: Microphone

Unlikely cause: LCD display, power supply, hard drive, optical drive, fans

Quick Check

Symptoms	Quick Check
Audio: Microphone <ul style="list-style-type: none"> • Microphone not working • Microphone audio garbled • No sound 	<ol style="list-style-type: none"> 1. Verify that no tape, sticky notes, or other objects are blocking microphone located on top of computer near camera. Microscopic perforations on top of computer must be free of obstructions in order for microphone to function. 2. Go to System Preferences > Sound > Input. Verify that sound input device is set to internal microphone. 3. Go to System Preferences > Sound > Input. Verify that "Input volume" setting is set above minimum level. 4. Go to System Preferences > Sound > Input. Verify that "Input level" indicator moves when speaking into microphone.

Deep Dive

Check	Result	Action	Code
1. Verify if boot chime is present when system is powered ON. Make sure audio output preferences are not set to mute.	Yes	Go to step 2.	
	No	Reset PRAM and retest.	
2. Make sure no cables are connected to external sound input/output ports. Go to System Preferences > Sound > Input and verify that "Internal microphone" is an available option.	Yes	Go to step 3.	
	No	Replace audio cable.	M09
3. Go to System Preferences > Sound > Input and verify if "Input volume" is set above minimum sensitivity.	Yes	Go to step 4.	
	No	Set "Input volume" slider to middle position. Retest.	
4. Go to System Preferences > Sound > Input and verify if "Input level" indicator moves when speaking into microphone.	Yes	Microphone and audio input functioning. Go to step 6.	
	No	Suspect bad microphone connection. Reseat microphone connector on logic board. Go to step 5.	



5. Inspect microphone cable routing and verify if cable is pinched or damaged.	Yes	Replace rear housing (microphone cable not available separately).	L14
	No	Go to step 6.	
6. Record sound sample using GarageBand or iMovie. Verify if sound quality of sound sample is normal during playback.	Yes	Microphone circuitry OK. Return system to user.	
	No	Replace logic board.	M09

Audio: Built-in Speakers Have Distorted Sound

Unlikely cause: LCD display, power supply, hard drive, optical drive, fans

Quick Check

Symptoms	Quick Check
Audio: Built-in Speakers Have Distorted Sound <ul style="list-style-type: none"> No audio from one or both speakers. Audio from speakers distorted 	<ol style="list-style-type: none"> Go to System Preferences > Sound > Output. Verify that sound output device is set to internal speakers and that balance control is set to the center position. Obtain known-good high-quality sound file or use iTunes Store sound samples to evaluate sound quality. Verify suspect sound files on another system to determine if distortion is caused by computer or sound file. Set volume control to mid-range. Overdriving built-in speakers can cause distortion.

Deep Dive

Check	Result	Action	Code
1. Go to System Preferences > Sound > Output. Set speaker balance 100% to LEFT speaker and play a known-good sound file. Verify if sound is generated by LEFT speaker and that sound quality is acceptable.	Yes	LEFT speaker and amplifier circuitry OK. Go to step 2.	
	No	Distortion detected in LEFT speaker. Set Balance slider to middle position. Go to step 3.	
2. Set speaker balance 100% to RIGHT speaker and play a known-good sound file. Verify if sound is generated by RIGHT speaker and that sound quality is acceptable.	Yes	RIGHT speaker and amplifier circuitry OK. Set Balance slider to middle. Go to step 3.	
	No	Distortion detected in RIGHT speaker. Go to step 4.	



3. Connect external speakers or headphones to audio-out port and play a known-good sound file. Verify if sound quality is acceptable.	Yes	Suspect bad speaker. Go to step 4.	
	No	Audio CODEC or amplifier issue suspected. Replace logic board and retest.	M09
4. Inspect LEFT and RIGHT speaker cones and speaker connection cable for damage. Verify if speakers have visible damage.	Yes	Replace damaged speaker. Retest.	L11
	No	Go to step 5.	
5. Install known-good speaker into location where distorted sound was heard. Verify if sound quality improves.	Yes	Replace speaker.	L11
	No	Speaker amplifier issue suspected. Replace logic board.	M09

Audio: Built-in Speakers Have No Audio

Unlikely cause: LCD display, power supply, hard drive, optical drive, fans

Quick Check

Symptoms	Quick Check
Audio: Built-in Speakers Have No Audio <ul style="list-style-type: none"> No audio from one or both speakers. Audio from speakers distorted 	<ol style="list-style-type: none"> Go to System Preferences > Sound > Output. Verify that sound output device is set to internal speakers. Go to System Preferences > Sound > Output. Verify that "Output volume" setting is set above the minimum level and that "Mute" checkbox is not selected. Go to System Preferences > Sound > Output. Verify that "Balance" slider is set to middle position so left and right speakers are both used.

Deep Dive

Check	Result	Action	Code
1. Verify if boot chime is present when system is powered ON. Make sure audio output preferences are not set to mute and volume is set to mid-range.	Yes	Go to step 2.	
	No	Reset PRAM and retest.	



2. Make sure no cables are connected to external sound input/output ports. Go to System Preferences > Sound > Output and verify that "Internal speakers" is an available option.	Yes	Go to step 3.	
	No	If "Headphones" is the only available sound output device, replace audio cable. If "Digital output" is the only available sound output device, reseal audio cable to logic board. If issue persists, replace audio cable. If issue persists, replace logic board.	L11 L11 M09
3. Go to System Preferences > Sound > Output. Set speaker balance 100% to LEFT speaker and play a known-good sound file. Verify if sound is generated by LEFT speaker and that sound quality is acceptable.	Yes	LEFT speaker and amplifier circuitry OK. Go to step 4.	
	No	No audio in LEFT speaker. Go to step 7.	
4. Set speaker balance 100% to RIGHT speaker and play a known-good sound file. Verify if sound is generated by RIGHT speaker and that sound quality is acceptable.	Yes	RIGHT speaker and amplifier circuitry OK. Set Balance slider to middle. Go to step 5.	
	No	No audio in RIGHT speaker. Go to step 7.	
5. Verify if user-reported audio issue has been resolved.	Yes	Issue no longer present. Return system to user.	
	No	Go to step 6.	
6. Boot system from Install DVD or another known-good bootable volume. Verify if issue still occurs.	Yes	Go to step 7.	
	No	Known-good boot volume works OK. Troubleshoot for software issue. Isolate if issue is application-specific or a possible OS conflict.	
7. Connect external speakers or headphones to audio-out port and play a known-good sound file. Verify if sound quality is acceptable.	Yes	Logic board, internal speakers, and audio-out port functioning correctly. Return system to user.	
	No	Go to step 8.	
8. Disconnect and carefully inspect audio cable and connection to logic board for damage such as bent pins or pinched/cut wires.	Yes	Replace damaged audio cable. If issue persists, verify if symptom has changed.	L14
	No	Replace logic board.	M09



Camera Issues

Unlikely cause: LCD display, power supply, hard drive, optical drive, fans, speakers, microphone

Quick Check

Symptoms	Quick Check
Camera Issues <ul style="list-style-type: none"> • Camera not detected • No green LED for camera • Excessive blooming • Poor White Balance • Poor Focus • Green image • Image distortion 	<ol style="list-style-type: none"> 1. Launch Apple System Profiler and confirm that system's USB hub and built-in camera are visible. 2. Verify camera lens and glass panel are clean and free of contaminants. Clean glass panel if needed. 3. Launch Photo Booth to verify that green indicator LED near camera lens turns on and image quality is acceptable.

Deep Dive

Check	Result	Action	Code
1. Launch Apple System Profiler and verify built-in camera is visible in USB list of devices.	Yes	Camera recognized. Go to step 2	
	No	Inspect and reseat camera cable connection on logic board. Go to step 2.	
2. Launch Photo Booth. Verify if green LED near camera lens turns ON and image appears normal.	Yes	Camera functioning. Return system to user.	
	No	Remove glass and clean both sides. Clean camera lens.	
		If issue persists, replace camera cable.	X07
If issue persists, replace camera.		X07	
If issue persists, replace logic board.	M13		



FireWire Device Not Recognized

Unlikely cause: LCD display, power supply, hard drive, optical drive, fans

Quick Check

Symptoms	Quick Check
FireWire Device Not Recognized <ul style="list-style-type: none"> • FireWire hard drive not recognized • FireWire optical drive not recognized • FireWire camera not recognized • FireWire printer not recognized 	<ol style="list-style-type: none"> 1. For external FireWire drives, make sure any external power source is plugged in and operating to isolate a power issue with the device. 2. Test a known-good FireWire device to isolate a failed peripheral issue. 3. Test a known-good FireWire cable to isolate a FireWire cable issue. 4. Ensure that all software and firmware updates for this model have been installed to take advantage of any available bug fixes. 5. Launch Apple System Profiler and verify if the affected FireWire device is visible on FireWire bus. If yes, then FireWire port and cable are functioning properly. Contact FireWire device manufacturer to verify that device is supported.

Deep Dive

Check	Result	Action	Code
1. Unplug all FireWire devices from computer. Reset PRAM. Reconnect FireWire device in question. Verify if FireWire device is recognized.	Yes	Issue resolved.	
	No	Possible logic board failure. Go to step 2.	
2. Use a known-good FireWire cable with a known-good FireWire device (such as another Mac in Target Disk Mode). Verify if FireWire device is recognized.	Yes	Try FireWire device in question with a known-good computer of same model. Go to step 3.	
	No	FireWire not recognized. Replace logic board.	M12
3. Verify if FireWire device is recognized on a known-good same model computer.	Yes	Go to step 4.	
	No	Device may need additional power. Use a powered FireWire hub. Go to step 5.	



4. Verify if FireWire device is recognized with a known-good FireWire cable on user's computer.	Yes	FireWire cable issue. Issue resolved.	
	No	FireWire device may need additional power. Go to step 5.	
5. Using a powered FireWire hub, and having installed any software or firmware updates for the device, verify if FireWire device is now recognized.	Yes	Device recognized. Required additional power from hub or update. Issue resolved.	
	No	Device may require additional software, or there may be a conflict in the Mac OS. Go to step 6.	
6. Create a new user in System Preferences > Accounts and log out current user. Log in on new user account and verify if FireWire device is now recognized.	Yes	Software Issue. Troubleshoot software on User account. Issue resolved.	
	No	Apply all Mac OS and FireWire specific updates. If issue persists, contact device manufacturer for support. FireWire port and cable have been verified.	



USB Device Not Recognized

Unlikely cause: LCD display, power supply, hard drive, optical drive, fans

Quick Check

Symptoms	Quick Check
USB Device Not Recognized <ul style="list-style-type: none"> • USB wired keyboard/mouse not recognized • USB external drive not recognized • USB camera not recognized • USB printer not recognized 	<ol style="list-style-type: none"> 1. Reset SMC. 2. For printers and external USB drives, make sure any external power source is plugged in and operating to isolate a power issue with device. 3. The iMac has 4 USB ports on rear of computer. Try each port to isolate a particular port malfunction. 4. Test with a known-good wired keyboard or mouse to isolate a failed peripheral issue. 5. Test with a known-good USB cable when dealing with a printer or external USB drive, to isolate a USB cable issue. 6. Ensure that all software and firmware updates for this model have been installed to take advantage of any available bug fixes. 7. Launch Apple System Profiler and verify if device is visible on USB bus. If yes, then the USB port and cable are functioning properly. Contact device manufacturer to verify that device is supported.

Deep Dive

Check	Result	Action	Code
1. Unplug all USB devices from the computer except for USB keyboard and mouse. Start computer and reset PRAM. Verify if USB keyboard and mouse are recognized.	Yes	Test with all USB ports to ensure all USB ports working as expected. Replace logic board for any port failures.	
	No	Reset SMC. Go to step 2.	
2. Verify if Bluetooth Mouse Setup assistant launches after startup.	Yes	Bluetooth detected, but external USB devices not recognized. Go to step 3.	
	No	Disconnect USB keyboard and mouse. Go to step 4.	



3. Verify if a known-good USB keyboard and mouse are recognized.	Yes	Test original USB mouse and keyboard. Replace if still not recognized. Go to step 5.	
	No	External USB ports not functioning. Replace logic board.	M15
4. With no USB devices connected, restart computer. Verify if Bluetooth Mouse Setup assistant launches after startup.	Yes	Bluetooth detected. Go to step 3.	
	No	Bluetooth not recognized. Internal and external USB not functioning. Replace logic board.	M15
5. With known-good USB keyboard and mouse working, test USB peripheral in question (USB hard drive or printer, etc.) Verify if device is recognized in Apple System Profiler under USB.	Yes	Device recognized. Test in all USB ports to ensure all USB ports working as expected. Replace logic board for any port failures.	M15
	No	Device may require more power than supplied by USB ports. Test with a powered USB hub. Go to step 6.	
6. Verify if using a powered USB hub resolves the issue.	Yes	Test device on same USB port of a same-model computer. If other computer does not require a powered USB hub to allow functionality, replace logic board.	M15
	No	Ensure all software and firmware updates have been applied for computer and device. If issue persists, contact device manufacturer for support. The computer's USB ports and cable have been verified.	



Wired Keyboard Does Not Function Properly

Unlikely cause: LCD display, power supply, hard drive, optical drive, fans

Quick Check

Symptoms	Quick Check
<p>Wired Keyboard Does Not Function Properly</p> <ul style="list-style-type: none"> Some or all keys on the keyboard don't work Eject key or Caps Lock key doesn't seem to work Some keys don't work as expected 	<ol style="list-style-type: none"> Reset SMC Open System Preferences > Universal Access > Mouse & Trackpad and verify that Mouse Keys is turned OFF. When enabled, Mouse Keys can disable functionality of some or most keys, depending on keyboard used. The iMac has 4 USB ports on rear of computer. Make sure to try each port to isolate a particular port malfunction. Test with a known-good wired keyboard to isolate a failed peripheral issue. Test wired keyboard on a known-good, same-model computer. If it works on the other computer, this may indicate a bad USB port if keyboard doesn't work at all on user's computer, or a software issue if keyboard is working but not as expected on user's computer. Ensure that all software and firmware updates for this model have been installed to take advantage of any available bug fixes.

Deep Dive

Check	Result	Action	Code
1. Verify if all keys on keyboard work.	Yes	Go to step 2.	
	No	Go to USB Device Not Recognized symptom flow.	
2. Verify if Caps Lock is working as expected.	Yes	Go to step 3.	
	No	Go to Keyboard: Specific Keys Do Not Respond symptom flow	
3. Verify if media Eject key is working as expected. Note that to prevent accidentally ejecting media, Mac OS X adds a slight delay to the media Eject key before it takes effect.	Yes	Go to step 4.	
	No	Go to step 5.	



4. Open System Preferences > Speech. Verify if the "Speak selected text when the key is pressed" checkbox is selected.	Yes	The key combination to speak text cannot be used for any other purpose. Either disable, or change to a more rare key combination (including Shift, Command, Option and Control).	
	No	Go to step 6.	M15
5. With optical media in the drive, hold the media Eject key. Verify if the eject symbol appears on screen and that optical media is ejected if present.	Yes	Normal media eject key delay. No repair necessary.	
	No	Go to Optical Drive Won't Accept/Eject Media symptom flow.	
6. Open System Preferences > Language and Text > Input Menu. Check "Keyboard Viewer". From the Input Menu (flag) in the Menu Bar, choose "Show Keyboard Viewer". Verify if keys pressed appear in Keyboard Viewer.	Yes	Keys recognized. Go to step 9.	
	No	Keys not recognized. Replace keyboard.	K01
7. Open TextEdit or another text application and try typing something using the non-responding keys. Verify if they are typed in this other application.	Yes	Application-specific issue. Troubleshoot application.	
	No	Create a new user account in System Preferences > Accounts, log out from current user and log in with new user to isolate a User account related issue. If issue persists, reinstall Mac OS X from Install DVD.	



Keyboard: Specific Keys Do Not Respond

Unlikely cause: LCD display, power supply, hard drive, optical drive, fans

Quick Check

Symptoms	Quick Check
<p>Keyboard: Specific Keys Do Not Respond</p> <ul style="list-style-type: none"> • One or more keys do not respond when pressed • Key sticks • Keycap missing 	<ol style="list-style-type: none"> 1. If wireless keyboard is being used verify that it is properly paired with computer. Go to Wireless Input Device Doesn't Pair symptom flow to resolve pairing issues. 2. The caps lock key has a built-in delay to reduce accidental activation and must be held for approximately ½ second for it to be activated. See kBase #TS1578: Apple Keyboard (2007): Caps Lock modified to reduce accidental activation. 3. Inspect keyboard for signs of liquid spills or other contamination. Apple's warranty does not cover accidental damage. 4. If keycap is loose attempt to reattach it. 5. For other keyboard issues jump to appropriate symptom flow.

Wired Keyboard/Mouse Not Recognized

Unlikely cause: LCD display, power supply, hard drive, optical drive, fans

Quick Check

Symptoms	Quick Check
<p>Wired Keyboard/Mouse Not Recognized</p> <ul style="list-style-type: none"> • USB wired keyboard/mouse not recognized when plugged in. • Mouse scroll ball not working or not working as expected. • Mouse buttons not working or not working as expected. 	<ol style="list-style-type: none"> 1. Reset SMC. 2. The iMac has 4 USB ports on rear of computer. Make sure to try each port to isolate a particular port malfunction. 3. Test with a known-good wired keyboard or mouse to isolate a failed peripheral issue. 4. Test a mouse when connected directly to ports on the back of iMac to isolate a keyboard USB port issue. 5. Ensure that all software and firmware updates for this model have been installed to take advantage of any available bug fixes.



Deep Dive

Check	Result	Action	Code
1. Verify if computer recognizes keyboard or mouse when plugged into rear USB ports on back of iMac.	Yes	Test device in all USB ports to ensure all other USB ports are working as expected. Replace logic board if any USB port on rear fails. Replace keyboard if any USB port on keyboard fails. Go to step 2.	M15 K11
	No	Go to USB Device Not Recognized symptom flow.	
2. Verify if keyboard is working as expected.	Yes	Go to step 3.	
	No	Go to Wired Keyboard Does Not Function Properly symptom flow.	
3. Verify if Mighty Mouse has an issue with scroll ball.	Yes	See kBase #HT1537: How to clean your Mighty Mouse.	
	No	Go to step 4.	
4. Verify if mouse has an issue with buttons.	Yes	Go to step 7.	
	No	Go to step 5.	
5. Verify if mouse has an issue with tracking.	Yes	Go to step 6.	
	No	Go to step 7.	
6. Try using mouse on another surface. Non-reflective, opaque surfaces without repetitive patterns work best. The surface should be clean but not shiny. Verify if mouse tracks correctly when used on another surface.	Yes	Surface issue. Issue resolved.	
	No	Go to step 7	
7. See kBase #HT1581: Troubleshooting Mighty Mouse and determining expected behavior. Verify if this article resolves issue.	Yes	Issue resolved.	
	No	Replace wired Mighty Mouse.	K99



Uncategorized Symptoms

Quick Check

Symptoms	Quick Check
Uncategorized Symptoms <ul style="list-style-type: none">Unable to locate appropriate symptom code.	<ol style="list-style-type: none">Reset SMC.Verify that external I/O device (where applicable) works on a known-good, same-model computer.For third party I/O devices, make sure necessary software is installed and up-to-date, and that device is supported with user's system.

Deep Dive

Check	Result	Action	Code
1. Verify if existing symptom code applies to issue reported by user.	Yes	Jump to appropriate symptom code flow.	
	No	Document reported failure and send feedback to smfeedback2@apple.com stating that a suitable symptom code wasn't found. Provide as much detail as possible.	N99



Mechanical

Noise/Hum/Vibration

Unlikely cause: LCD panel, glass panel, enclosure, cables

Quick Check

Symptoms	Quick Check
<p>Noise/Hum/Vibration</p> <ul style="list-style-type: none"> • Buzzing noise • Rattling noise • Ticking noise • Squeaking noise 	<ol style="list-style-type: none"> 1. Verify that the vents on the bottom and back of the system are free of dust and other obstructions that might inhibit proper airflow through the system. 2. Launch Applications/Utilities/Activity Monitor. Determine whether an application or process is consuming a high percentage of CPU bandwidth. CPU-intensive applications can cause the fans to run fast in order to maintain the proper internal system temperatures. If needed, quit the application or restart the system to resolve the issue. 3. Eject optical media from optical drive. Out-of-balance optical media can generate audible noise. To resolve try a different brand of media. For additional information, go to Optical Drive Noisy symptom flow. 4. Tilt display to hinge limits to determine if mechanical noise is generated by the hinge mechanism. For additional information, go to Stand/Hinge Issues symptom flow. 5. Play sound sample at loud and soft volume levels to determine if the noise is caused by the left/right speakers or the amplifier circuit. Plug external headphones to identify whether the noise comes from audio out or from other source. For additional information, go to Audio: Built-in Speakers Have Distorted Sound symptom flow. 6. Adjust the display brightness to determine whether the noise is related to the brightness level. For additional information, go to Noise/Unstable Flickering symptom flow.



Deep Dive

Check	Result	Action	Code
1. Verify if any tape, gasket, cable label, or cable is touching the fan blades and causing a ticking noise.	Yes	Secure the material so it doesn't touch fan blades. If tape adhesive has lost its stickiness, replace that section of tape.	
	No	Go to step 2.	
2. Run Apple System Diagnostic. Verify if running ASD generates one or more errors.	Yes	Go to ASD Error Codes table to decode error. Follow instructions in table for resolving error, then retest.	
	No	Go to step 3.	
3. Verify if noise sounds like one or more fans are spinning faster than expected.	Yes	Reset SMC by disconnecting power cord for ~15 seconds then retest. If issue continues go to step 3.	
	No	Go to step 6.	
4. Verify if noise changes when optical drive is being accessed or media is inserted or ejected.	Yes	Suspect issue with optical drive or media used. Go to Optical Drive Noisy symptom flow.	
	No	Go to step 5.	
5. Mute the system volume. Verify if issue still occurs.	Yes	Go to step 6.	
	No	Suspect issue with speakers or audio amplifier circuitry. Go to Audio: Built-in Speakers Have Distorted Sound symptom flow.	
6. Adjust brightness on display between maximum and minimum settings. Verify if issue changes depending on brightness level.	Yes	Suspect issue with LCD display or backlight controller board. Go to Noise/Unstable Flickering symptom flow.	
	No	Go to step 7.	
7. Remove fans and rotate blades. Verify if fan blades spin smoothly without interference from fan housing.	Yes	Go to step 8	
	No	Replace affected fan.	P04



8. Reinstall fans while carefully ensuring that there are no cables routed under or near fan assembly that might cause interference with fan blades. After reassembling system verify if noise issue is resolved.	Yes	Noise issue resolved. Suspect issue caused by interference from wiring or possible distortion or fan housing when installed in system.	P04
	No	Go to step 9.	
9. Temporarily remove LCD display then power ON system. Verify if source of noise can be located. Caution: The exposed power supply poses a serious shock hazard. Take proper precautions when working around an energized system.	Yes	Identify, inspect, and if necessary replace part that caused noise issue.	P04
	No	Go to step 10.	
10. Disconnect these major modules/parts (hard drive, optical drive, fans, LCD display) one at a time then power ON the system. Determine if noise issue goes away when one of the modules is disconnected. Caution: The exposed power supply poses a serious shock hazard. Take proper precautions when working around an energized system.	Yes	Identify, inspect, and if necessary replace part that caused noise to disappear when it was disconnected from the system.	P04
	No	All parts verified. Verify that correct symptom flow is being used.	



Fan Failures / Thermal Issues

Unlikely cause: speakers

Quick Check

Symptoms	Quick Check
Fan Failures / Thermal Issues <ul style="list-style-type: none"> System feels very hot Fan(s) not operating Fan(s) running fast System is noisy 	<ol style="list-style-type: none"> Verify that vents on bottom and back of system are free of dust and other obstructions that might inhibit proper airflow through the system. Verify that computer is not exposed to direct sunlight which may heat up enclosure, making it feel hot to the touch. Verify computer is not running hotter than expected for normal operation. If possible, compare to a similarly configured system. Note: Power supply is located in upper left corner where highest temperatures can usually be felt. Launch Applications/Utilities/Activity Monitor. Verify if an application or process is consuming a high percentage of CPU bandwidth. CPU-intensive applications can cause fans to run fast in order to maintain proper internal system temperatures. If needed, quit the application or restart the system to resolve issue. Reset SMC by unplugging power cord for ~15 seconds.

Deep Dive

Check	Result	Action	Code
1. Run Apple System Diagnostic. Verify if ASD generates one or more errors.	Yes	Suspect possible fan or sensor error. Go to ASD Error Codes table to decode error. Follow instructions in table for resolving error, then retest.	
	No	Go to step 2.	
2. Verify if noise sounds like one or more fans running faster than expected.	Yes	Fans running fast. Reset SMC by disconnecting power cord for ~15 seconds then retest. If issue continues go to step 3.	
	No	Go to step 3.	



3. Verify if any tape, gasket, cable label, or cable is touching the fan blades and causing a ticking noise	Yes	Secure the material so it doesn't touch fan blades. If tape adhesive has lost its stickiness, replace that section of tape	
	No	Go to step 4.	
4. Remove fans and rotate blades. Check for any dust that could be clogging the fans. Verify if fan blades spin smoothly without interference from fan housing and fan blades are all intact.	Yes	Go to step 5.	
	No	Replace affected fan(s).	P06
5. Run Apple Service Diagnostics stand-alone tests in looping mode, and verify if all sensor or fans related tests pass.	Yes	Noise issue resolved.	
	No	Check for correct sensors/fans connections on logic board. Check for pinched cables. Compare with known-good similar system, and check for unlisted sensors. Replace affected sensor/fan.	P06

Stand/Hinge Issues

Symptoms	Quick Check
Stand/Hinge Issues <ul style="list-style-type: none"> Bent stand Broken hinge Stripped screw/head Stripped screw boss Unable to install VESA mount (if supported on this model) 	<ol style="list-style-type: none"> Determine whether damage caused by user / technician environment, accidental damage, or abuse. If so, inform user/technician the failures are not covered by Apple warranties. Refer to http://www.apple.com/legal/warranty For hinge noise issues replace hinge mechanism. For information on selecting the adequate iMac VESA Mount Adapter and which computer models are supported, refer to installation manuals available at http://support.apple.com/manuals/#desktopcomputers



Physical Damage

Symptoms	Quick Check
Physical Damage <ul style="list-style-type: none">• Broken glass• Bent stand• Broken hinge• Stripped screw/head• Stripped screw boss• Dent or scratch to chassis	<ol style="list-style-type: none">1. Verify if damage caused by user environment, accidental damage, or abuse. If applicable inform the user that Apple does not warrant damage caused by accident, abuse, misuse, flood, fire, earthquake, or other external causes. For more information refer to: http://www.apple.com/legal/warranty

Uncategorized Symptoms

Check	Result	Action	Code
1. Verify if existing symptom code applies to issue reported by user.	Yes	Jump to appropriate symptom code flow.	
	No	Document reported failure and send feedback to smfeedback2@apple.com stating that a suitable symptom code wasn't found. Provide as much detail as possible.	N99

Take Apart

iMac (27-inch, Late 2009)



General Information

Opening the Unit

- The iMac (27-inch, Late 2009) has a glass panel that attaches to the front, which must be removed prior to replacing any module on the unit.
- **Important:** The glass panel should only be removed by Apple-authorized technicians. Read and follow all of the cleaning and handling recommendations to prevent damaging the glass and LCD panel.
- Follow ESD precautions when the front bezel and the LCD display are removed.

Required Tools

Special tools are required to remove, handle and clean the glass panel, such as the following. • ESD-safe workstation, including an ESD mat and wrist or heel strap

- ESD bags (for storing ESD-sensitive parts while removed from unit)
- Magnetized Torx T10 screwdriver
- Magnetized Torx T8 screwdriver
- Magnetized Torx T6 screwdriver
- Phillips #2 screwdriver
- Black stick (nylon probe, Apple part #922-5065) or other non-conductive nylon or plastic flat-blade tool
- Thermal paste (thermal compound syringe, Apple part #922-7144)
- Kapton tape
- Magnifying glass, for reading serial number etched on bottom of stand
- Digital volt meter (for troubleshooting)
- Soft, clean towel or cloth (to protect display and removed parts from scratches)

For more information about tools, refer to:

[kBase #HT3452: Hand Tools for Desktop and Portable Repairs](#)

In addition, the following software programs are required for troubleshooting:

- Apple Service Diagnostic (ASD), version 3S133 or later
- Apple Hardware Test (AHT), version 3A181 or later
- Bluetooth Service Diagnostic



Required Special Tools for Glass Panel

Special tools are required to remove, handle and clean glass panel.

- 922-8252 – Suction cups, Pkg of 2
- 922-8253 – Gloves, lint-free, anti-static, Pkg of 2
- 922-8258 – ESD bags, 24"x20"; Pkg of 5. To prevent buildup of static charges which may attract dust particles, store LCD panel in an ESD bag when it is removed from unit.
- 922-8259 – Microfoam bag to store glass panel, Pkg of 5
- 922-8261 – Sticky silicone roller (6-inch) to clean glass panel
- 922-8262 – Sticky sheet pads to clean silicone roller
- 922-8263 – Polishing cloths, anti-static, optical-grade micro-terry, Pkg of 5
- Leather gloves
- iKlear Apple Polish or Brillianize anti-static spray cleaning solution. If you are unable to source iKlear or Brillianize, IPA (isopropyl alcohol) can be used to clean glass.

Cleaning Tools Starter Kit

The following tools are offered separately or in the starter kit (076-1277):

- Suction cups, 922-8252, 1 pair
- Gloves, lint-free, anti-static, 922-8253, Pkg of 2
- Sticky silicone roller (6-inch) to clean the glass panel, 922-8261
- Sticky sheets to clean the silicone roller, 922-8262, Pkg of 2
- Polishing cloths, clean, anti-static, optical-grade micro-fiber, 922-8263, Pkg of 2
- Microfoam bag to store the glass panel, 922-8259, Pkg of 5
- ESD bag for LCD panel storage, 922-8258, Pkg of 5

Cleaning Tool Resources

Note: Apple Retail, refer to standard internal resources to order tools.

- MCM Portal
<http://www.mcmb2b.com/appleasp>
- LENS PEN: the LapTop Pro or the VidiMax are very effective in removing fingerprint on LCD and inside surface of glass.
<http://www.lenspen.com/>
- iKlear
<http://www.klearscreen.com/iKlear.aspx>
iKlear US/Canada dealer finder
<http://www.klearscreendealers.com/default.html>
iKlear International dealer listing
<http://meridrew.com/international.html>
- Brillianize
<http://www.brillianize.com/>
Brillianize dealer locator
<http://www.brillianize.com/Pages/lookup.html>



Cleaning & Handling the Glass Panel

Follow the cleaning procedures in this manual to ensure the glass panel is free of dust and other particles before returning the computer to the customer.

- The glass panel is not tempered and will break into sharp pieces if mishandled. A scratched or broken glass panel is not covered under warranty.
- Removing the glass panel requires special tools such as lint-free gloves, rubber suction cups, microfoam storage bags, and the iKlear cleaning solution.
- To prevent contamination, wear lint-free gloves and handle the glass only by the edges.

Do's and Don'ts

DO

- Handle glass panel using lint-free gloves.
- Use only a sticky silicone roller to clean the inside surface of the glass and the LCD panel.
- Use iKlear ONLY on the outside surface of the glass panel.
- Place the glass panel into a clean protective microfoam bag when removed from the unit.
- Store the glass panel in a safe area where it will not be broken or damaged.
- Store the LCD panel in an anti-static bag to prevent the buildup of static charges which may attract dust particles to the display's surface.
- Store the silicone roller and sticky paper within a temperature range of 39-104 F (5-40 C).
- If the silicone roller is no longer tacky, wash it in warm soapy water or wipe with isopropyl alcohol. If the tackiness does not return, replace the silicone roller.

DON'T

- Touch the inside of the glass with bare hands or dirty gloves. Fingerprints will be difficult to remove.
- Place the glass panel onto a work surface where it may collect dust and other contaminants unless it has first been placed into a protective microfoam bag.



Handling a Broken Glass Panel

The glass panel is not tempered and will break into sharp pieces if mishandled. If the glass is broken it must be carefully removed from the unit to prevent irreparable damage to the front surface of the LCD. If the front surface of the LCD is scratched by broken glass, the LCD may need to be replaced.

How to Remove a Broken Glass Panel

A shattered panel can be removed using safety glasses, packing tape, and leather gloves.

1. Put on safety glasses and leather gloves.
2. Lay the computer on a smooth, clean work surface.

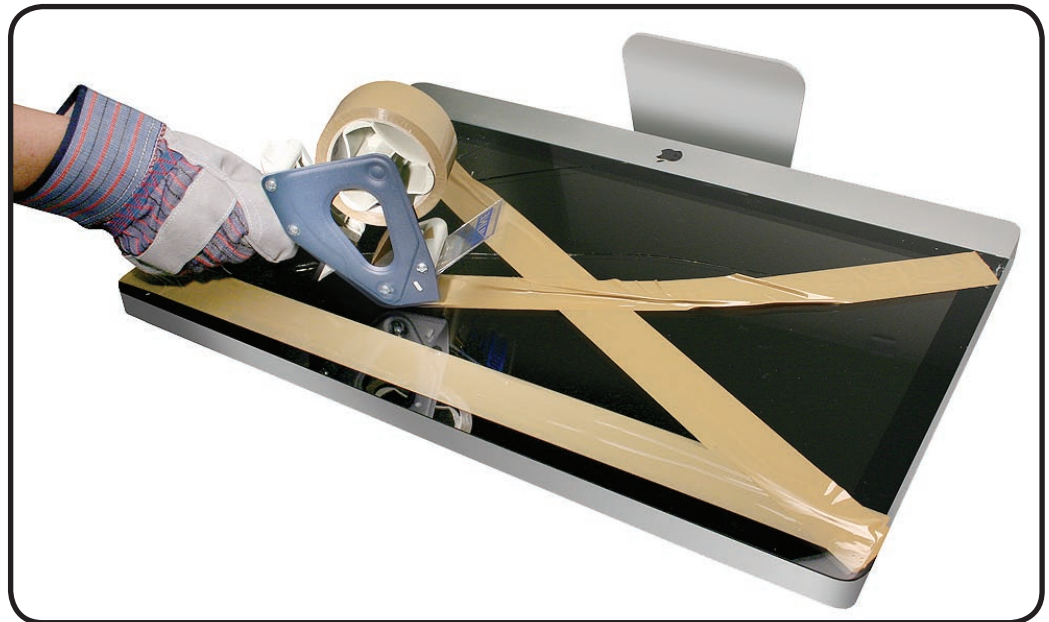




3. Peel protective covering off the front of the glass. Remove and discard any large pieces of broken glass.



4. Apply a strip of packing tape horizontally across the top and bottom of the glass panel. Next, apply the tape diagonally, across the broken glass panel, forming an "X."





5. Continue applying tape horizontally, thoroughly covering the broken glass. Most of the glass will still be attached to the steel ring that runs around the perimeter of the glass panel.



6. Use a black stick to pry the glass panel off the magnets on the rear housing.





7. Lift the entire glass panel off the housing.



8. Place the broken glass inside a large box, label the box, and dispose of it properly.





9. Using a whisk broom, clean the work surface of tiny glass particles.
10. Stand the iMac up and use a lint free cloth to carefully brush any of the particles off of the iMac onto the table. Clean the work surface again.
11. When the repair is finished the cloth should be disposed of immediately.
12. Use a broom and dustpan to sweep up as much of the broken glass as possible. Glass fragments may have traveled several feet from the location of the glass panel, so be sure to thoroughly clean the entire area. Use a vacuum to remove the smaller fragments not picked up by the broom.
13. **Note:** A broken glass panel may leave one or more scratches on the LCD display depending on the severity of the glass breakage. As long as the LCD itself has not been fractured the LCD does not require replacement, but be sure to let the customer know that the scratches are there and were caused by the broken glass panel.



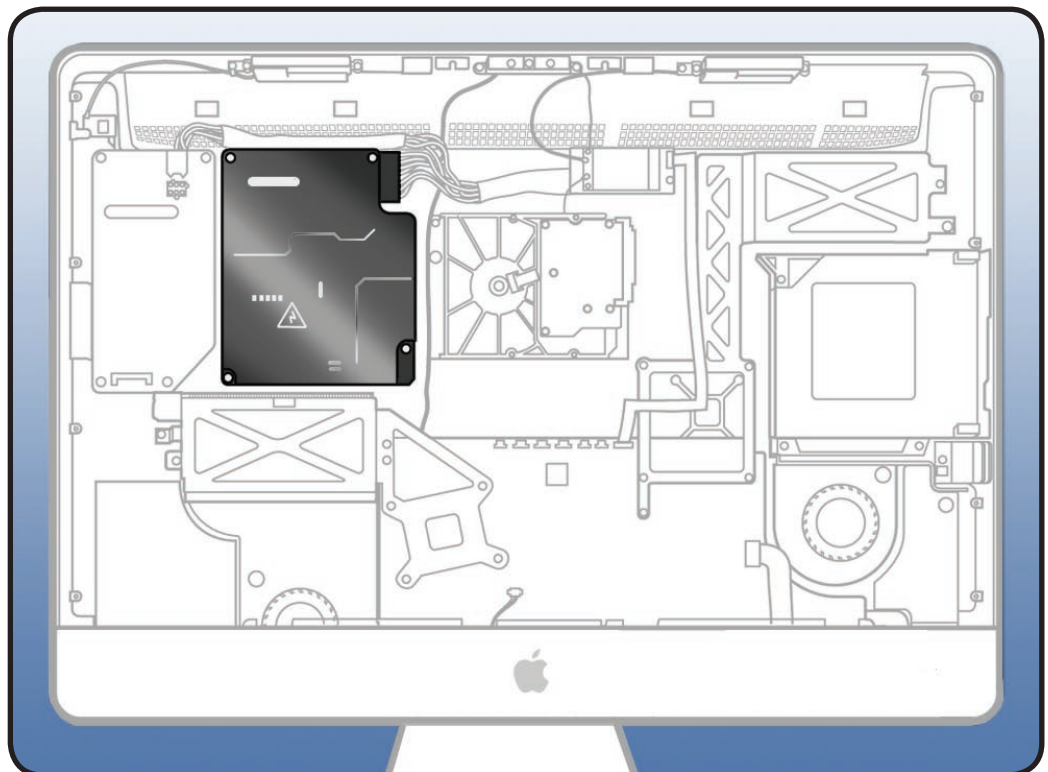
Safety

Warning: HIGH VOLTAGE: The AC/DC power supply PCB remains powered up whenever the system is plugged in, whether or not the system has been turned on. Use extreme caution when troubleshooting the system with the front bezel removed.

- Don't work alone. In the event of an electrical shock it is important to have another individual present who can provide assistance.
- Keep one hand in your pocket when working on any iMac system that is plugged in. This will help ensure that your body does not provide a path to ground in the event that you accidentally make contact with the line voltage.
- Don't wear jewelry, watches, necklaces, or other metallic articles that could present a risk if they accidentally make contact with the power supply circuitry.

Use extreme caution when working around the power supply. The power supply contains a high voltage capacitor that may remain charged for several minutes even when the computer is unplugged. Never touch the leads on the top side of the power supply, especially the capacitor leads located near the warning sign

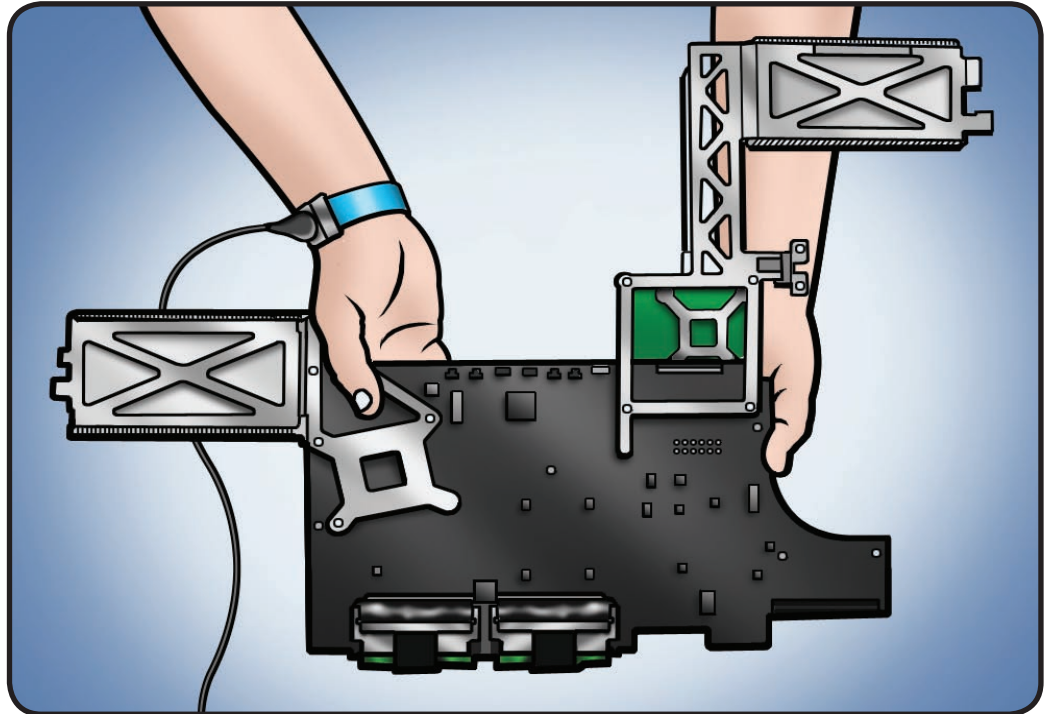
Important: If the computer is shut down by removing the power cord, allow the power supply a good 2-3 minutes to discharge the capacitors before handling it. However, if you select "Shut Down" via the Apple menu, the computer will discharge the power supply capacitor almost immediately.





Logic Board Handling

IMPORTANT: Always use two hands to support the logic board, video card and heatsinks. Handling the board incorrectly could flex the board and damage the chips and circuitry. **Never** handle the board by the heatsink or video card.



Reassembly Steps

When there are no replacement steps listed, replace parts in the exact reverse order of the Removal procedure.

Note About Images in This Manual

Because a pre-production or very similar model was used for most of the images shown in this manual, you may notice small differences in appearance between the image pictured and the computer you are servicing. However, although the appearance may differ, the steps and sequence are the same unless noted.

Screw Sizes

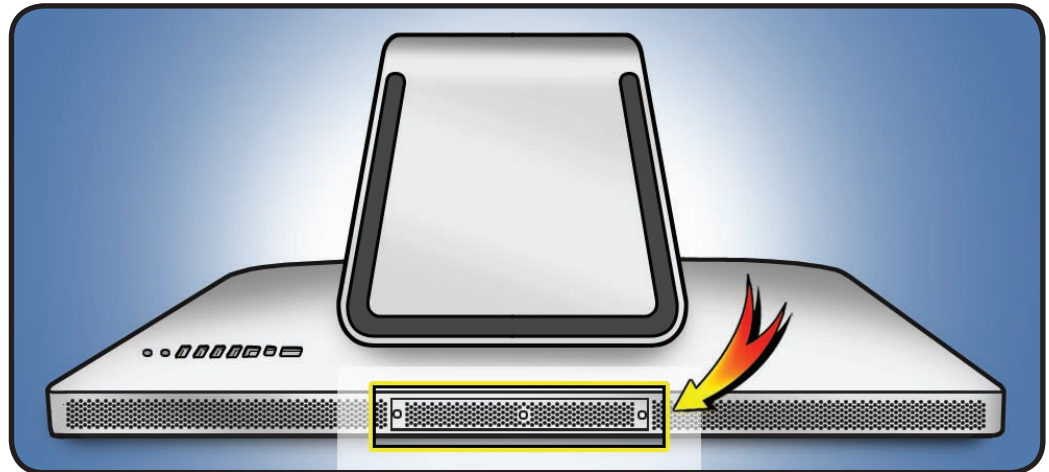
All screw sizes shown are approximate and represent the total length of the screw.



Access Door

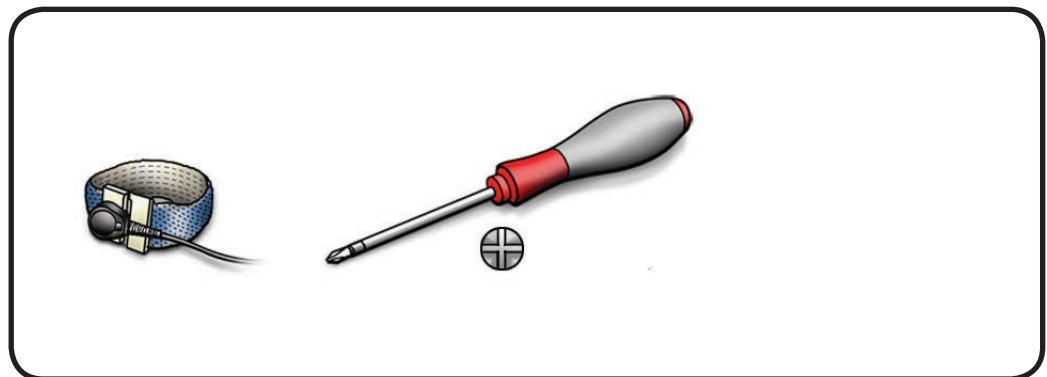
First Steps

- Shut down the computer
- Place the computer on a clean, flat surface



Tools

- ESD mat and wrist strap
- Phillips #2 screwdriver

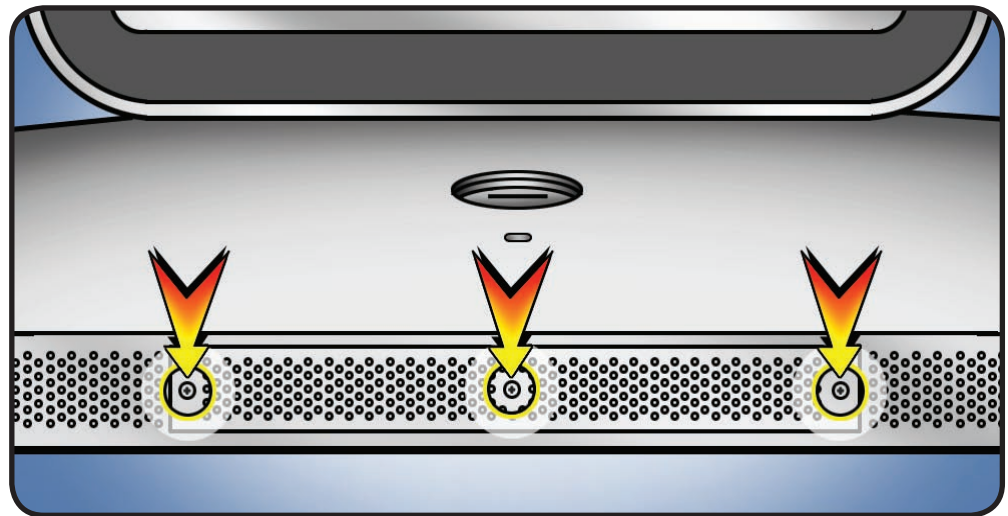




Removal

- 1 Raise the stand and loosen 3 captive screws.
- 2 Remove the access door.

Important: To ensure proper cooling, the iMac should not be operated without access door installed.



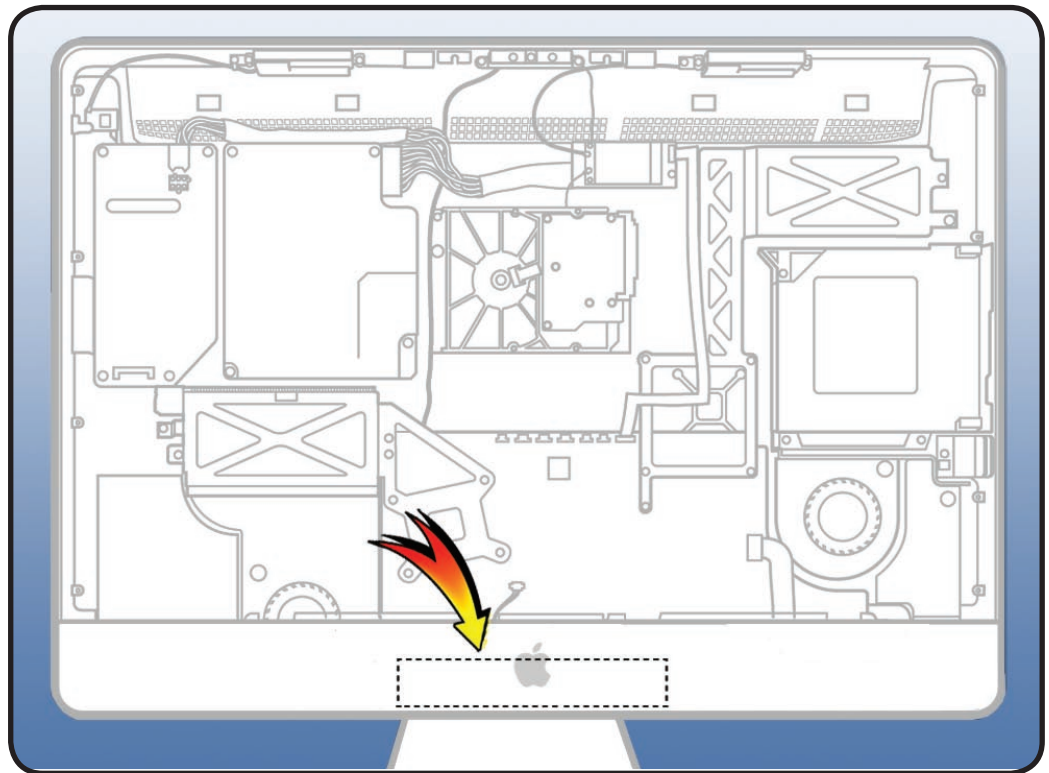


Memory

First Steps

Remove

- Access door



Tools

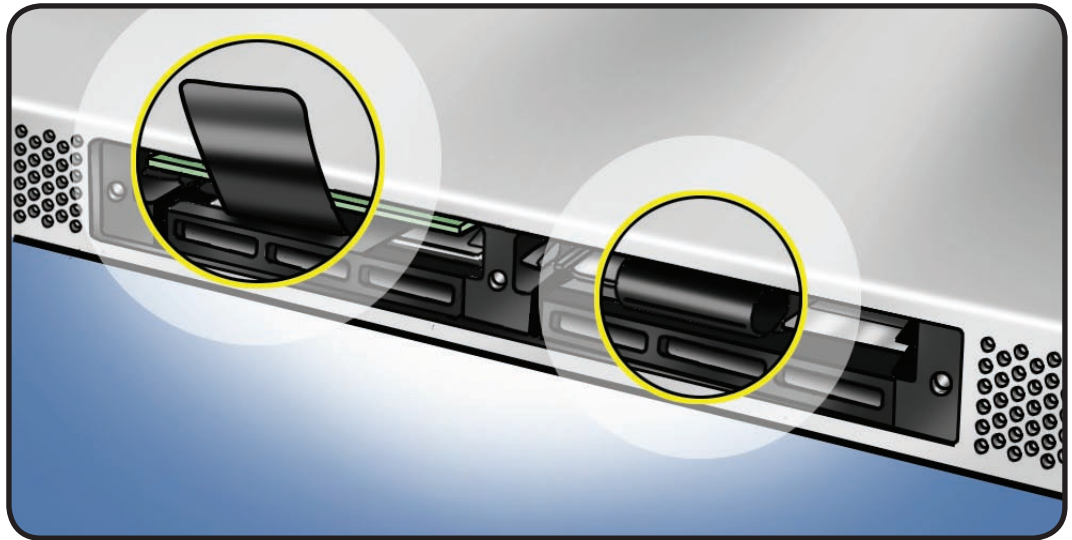
- ESD mat and wrist strap





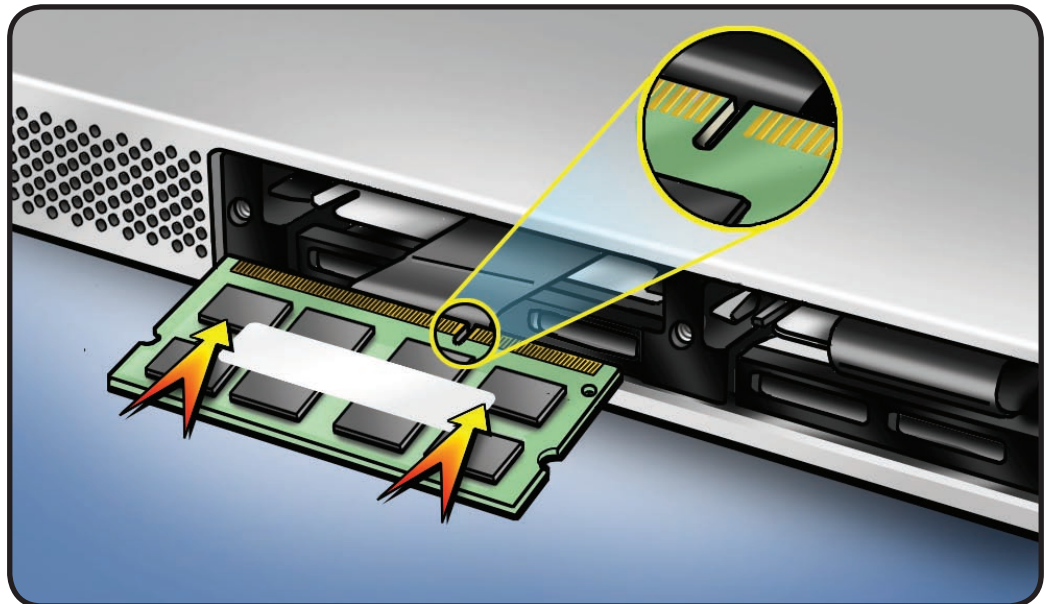
Removal

- 1 Untuck tabs in the memory compartment.
- 2 Pull tab to eject the installed memory module.



Reassembly

- 1 Orient notch on memory with notch in the memory compartment.
- 2 Press memory firmly into slot until you hear a click.
- 3 Tuck black plastic tabs into memory compartment.
- 4 Replace access door and tighten 3 screws.



Important: To ensure proper cooling, the iMac should not be operated without access door installed.



Glass Panel

First Steps

- Shut down unit.
- Wait 10 minutes.
- Unplug all cables.
- Put on ESD strap.

Caution: The glass panel is not tempered and will break into sharp pieces if mishandled. A scratched or broken glass panel is not covered by warranty.

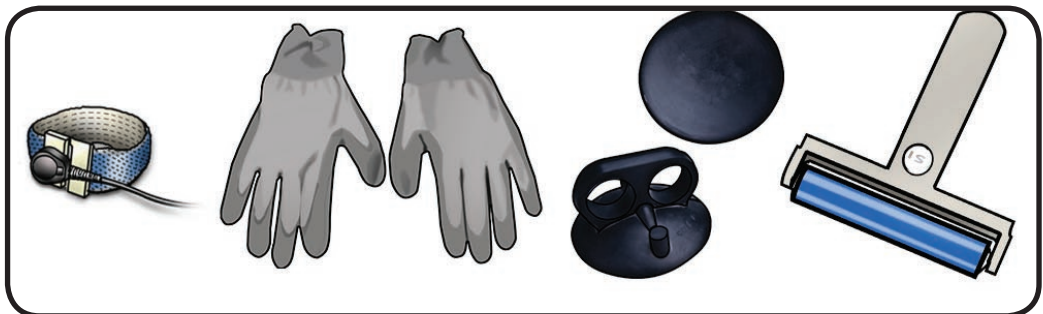
Important:

This procedure requires special tools, which are offered individually or as part of a cleaning kit.



Tools

- ESD wrist strap
- lint-free gloves
- suction cups
- sticky silicone roller
- sticky sheets to clean the silicone roller
- microfoam bag





Removal

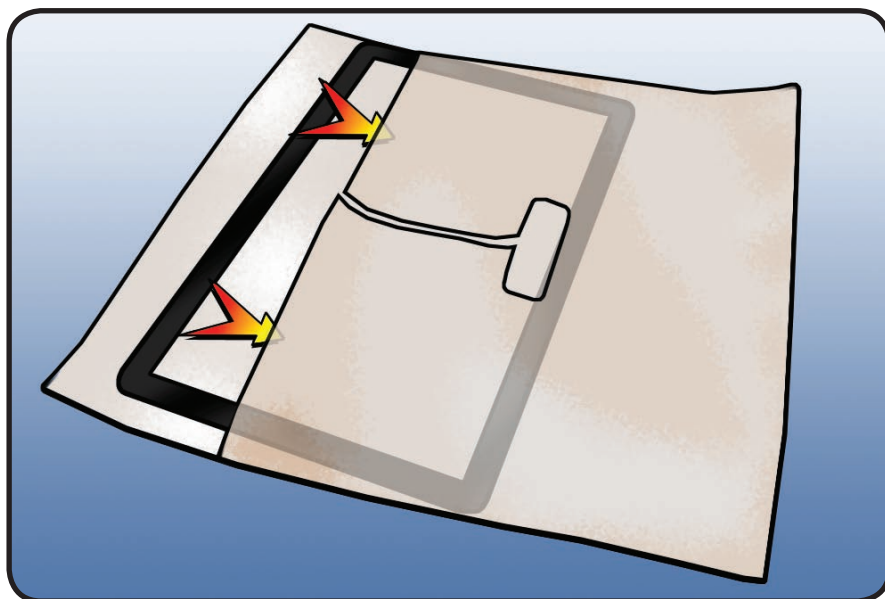
Glass panel is held in place by 14 magnets on the front bezel.

- 1 Lay computer on its back and press clean suction cups in opposite corners on glass panel.
- 2 Lift panel toward you, being careful of tabs along bottom of glass.
- 3 Carefully lift glass up and off rear housing.



Apple strongly recommends wearing clean, lint-free gloves whenever handling the glass panel, to reduce cleaning required on reassembly.

- 4 Remove suction cups and slide glass into protective microfoam bag.

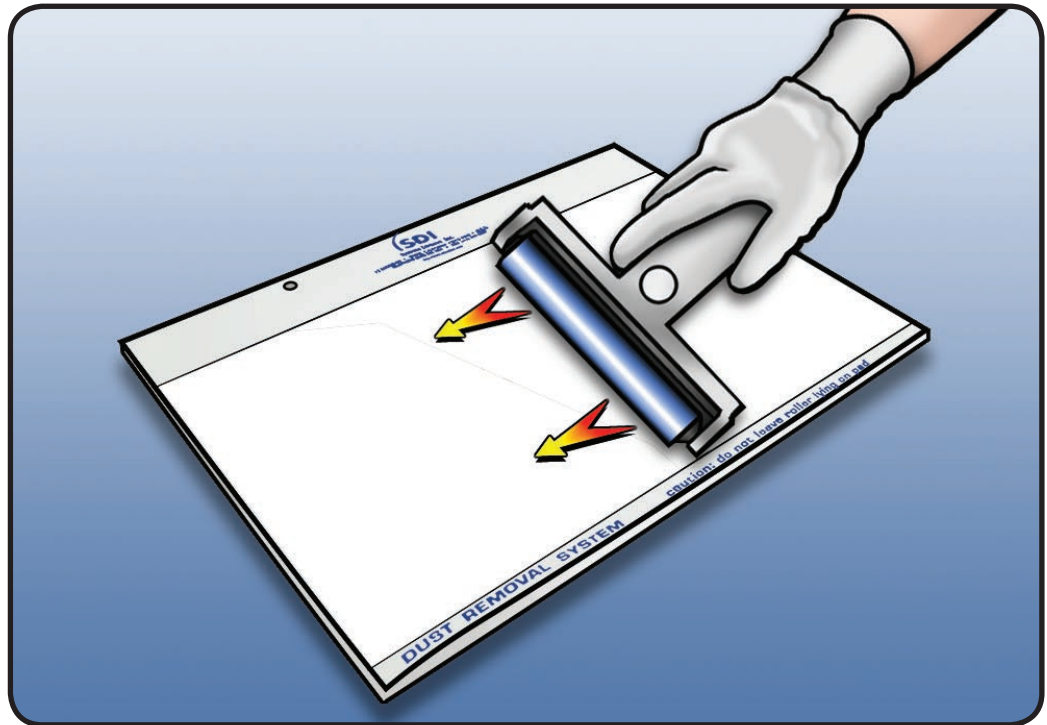




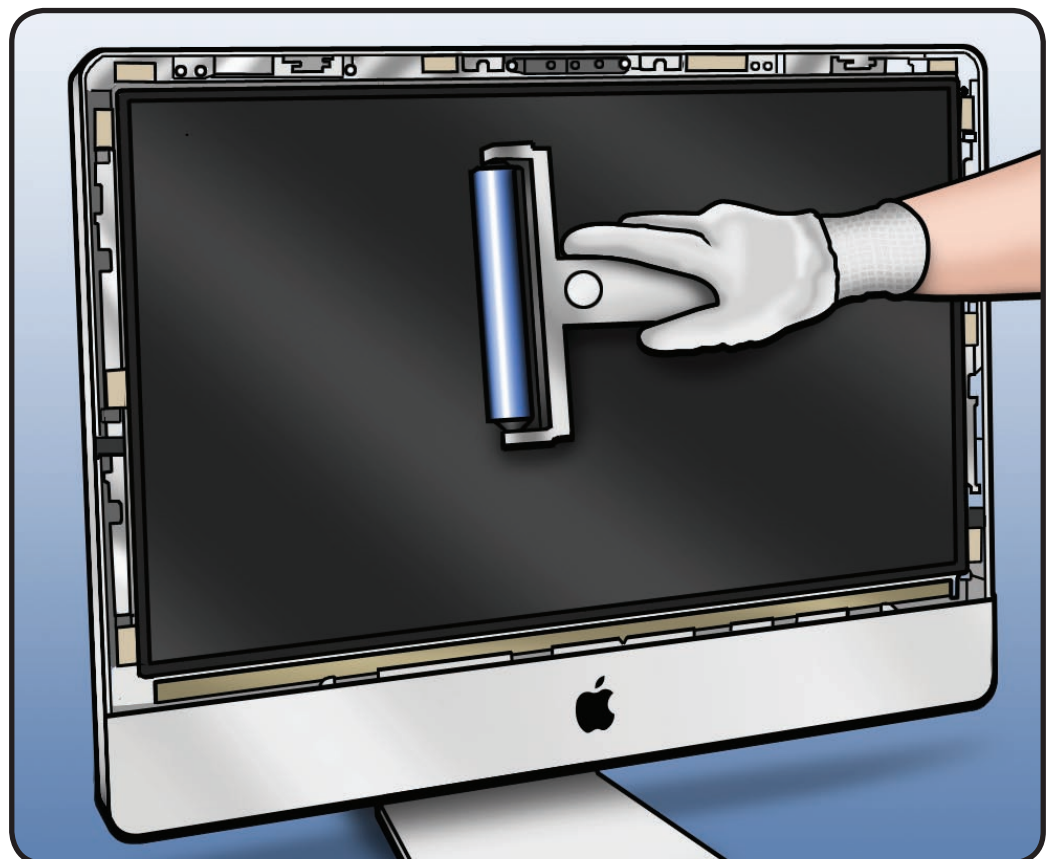
Reassembly

- 1 Remove protective covering from silicone roller and sticky sheet.
- 2 Clean silicone roller by rolling it back and forth a few times on sticky sheet.

If sticky sheet looks dirty, use a new one.
If roller is no longer tacky, wash it in warm soapy water.
If tackiness does not return, replace silicone roller.



- 3 Wearing clean gloves, set display in upright position to minimize settling of dust.
- 4 Roll silicone roller over LCD panel to remove any particles

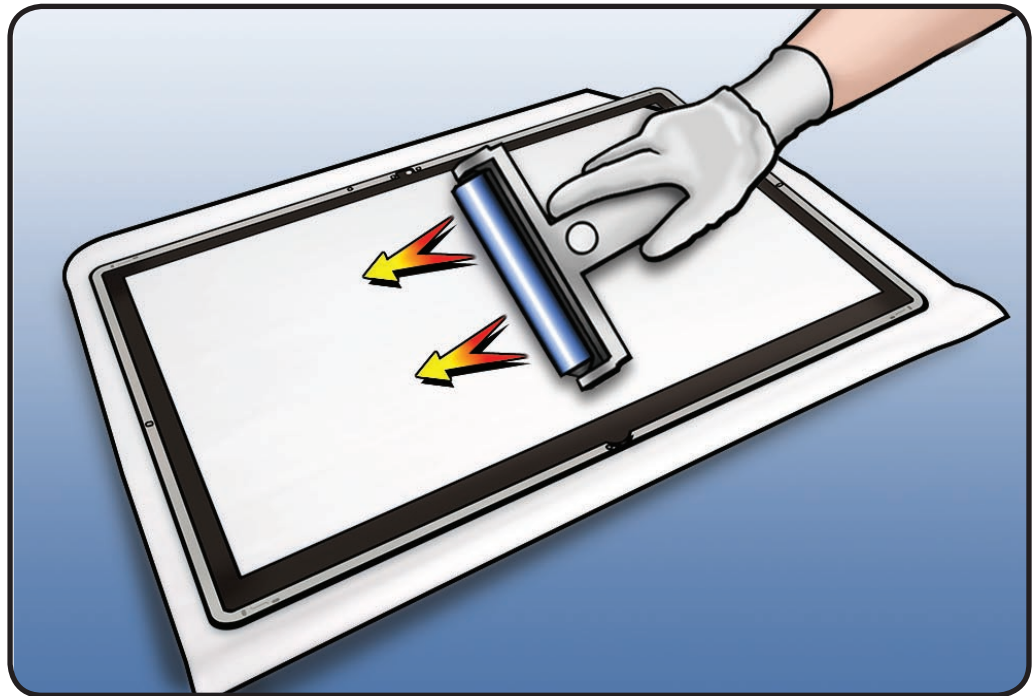




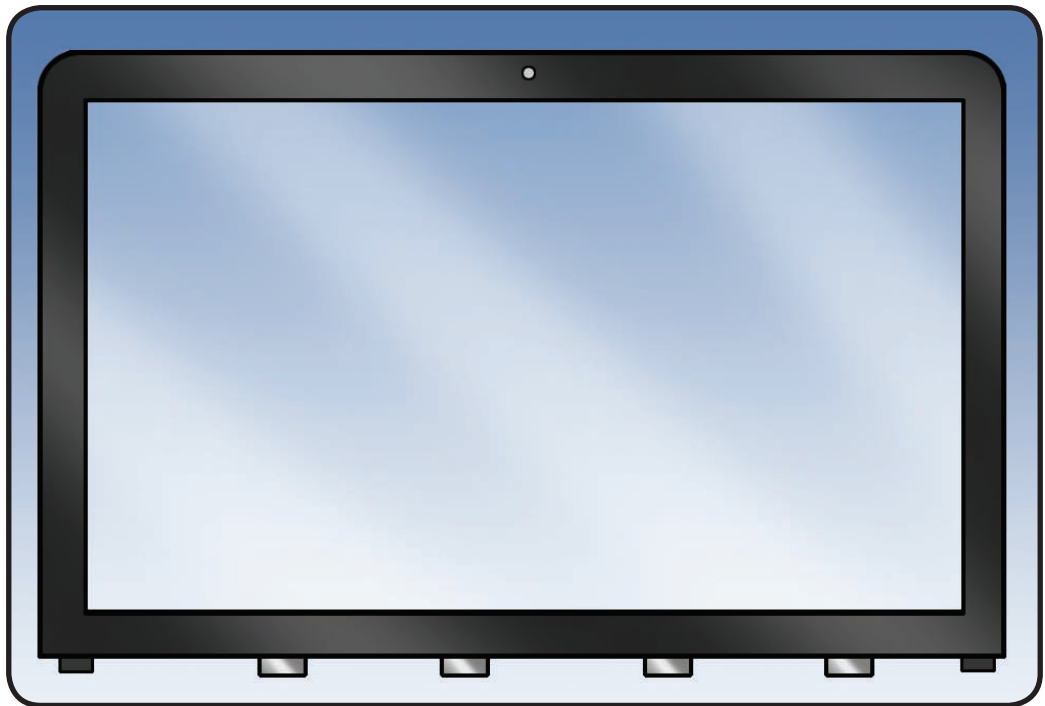
5 Remove glass panel from microfoam bag.

6 Clean INSIDE of glass panel with the silicone roller to remove dust.

Note: If fingerprints or oils are on inside of glass, clean first with isopropyl alcohol.



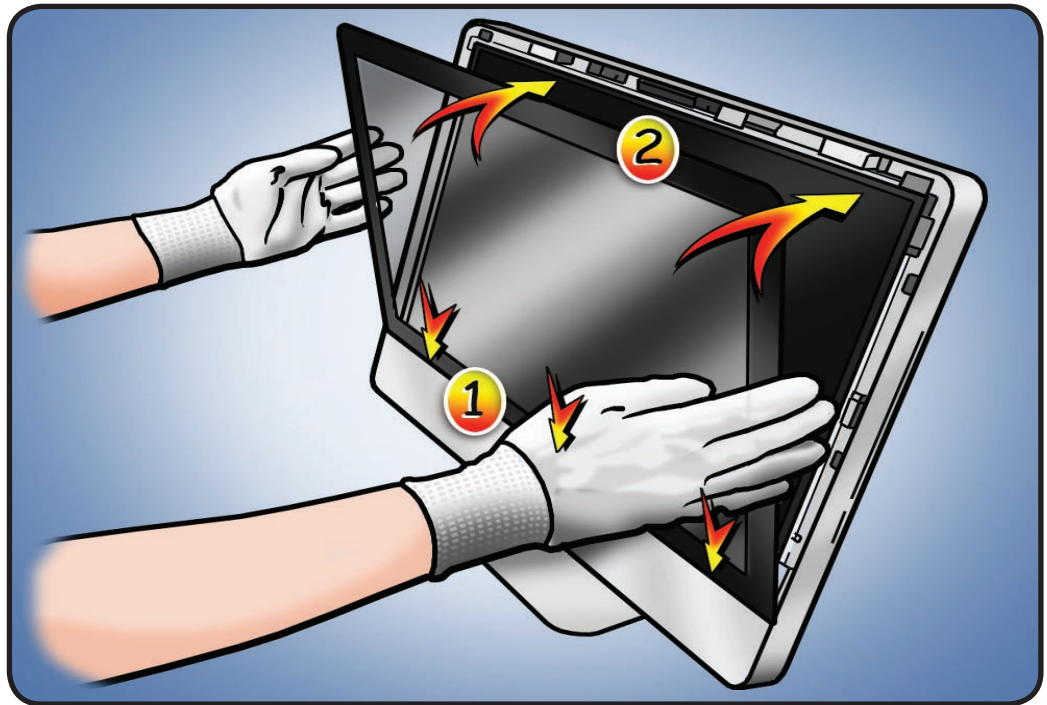
7 Notice tabs along bottom of glass panel that align with rear housing.





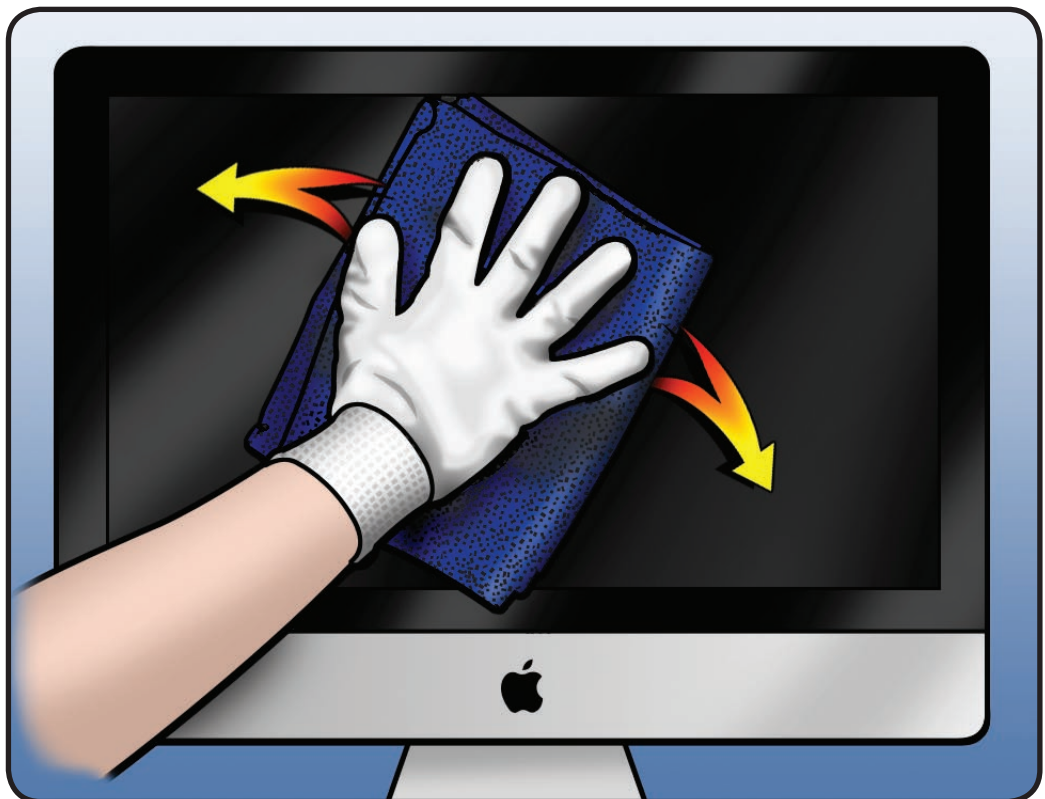
- 8** Wearing clean gloves, place glass directly onto unit, aligning tabs along the bottom with notches in rear housing. Magnets will catch it and hold it in place.

Make sure the glass is flush with the rear housing after it is reinstalled.



- 9** Clean outside of glass panel with a clean microfiber cloth. If necessary, use a small amount of iKlear polish. Wipe glass until there is no longer any residue or haze.

- 10** Inspect glass for any remaining dust, fingerprints, or a hazy residue. If there are contaminants trapped between LCD panel and glass panel, repeat cleaning procedure.



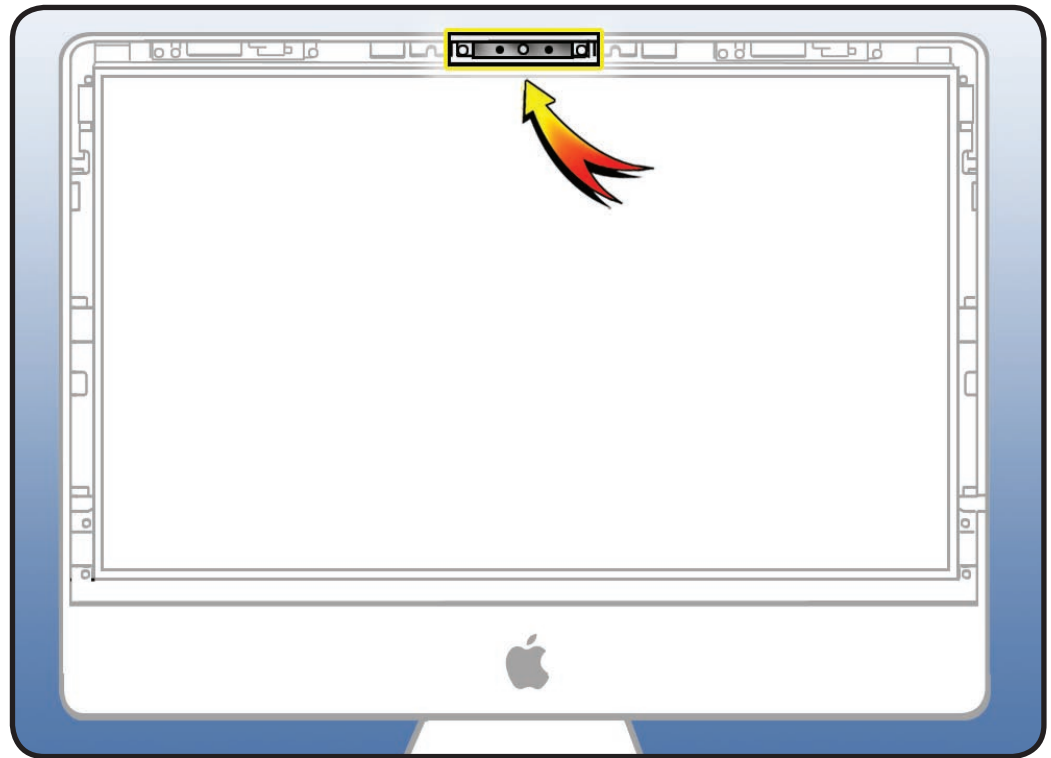


Camera

First Steps

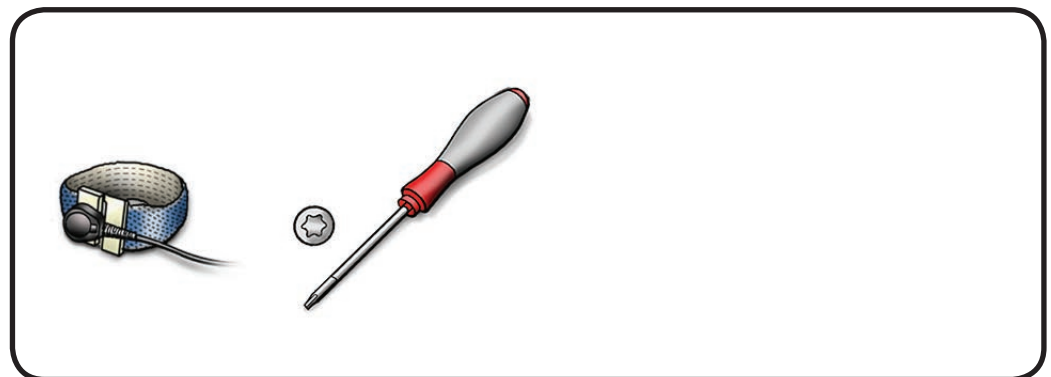
Remove

- Glass panel



Tools

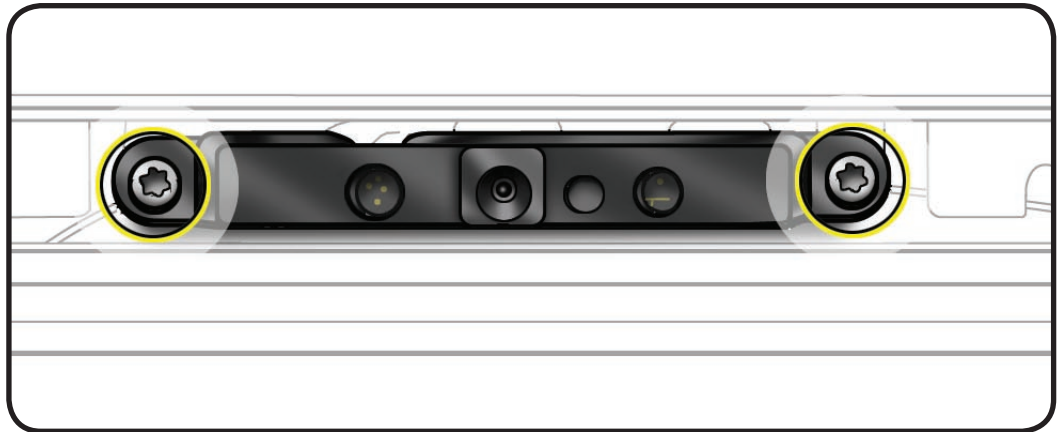
- Magnetized Torx T10 screwdriver
- ESD-wrist strap and mat





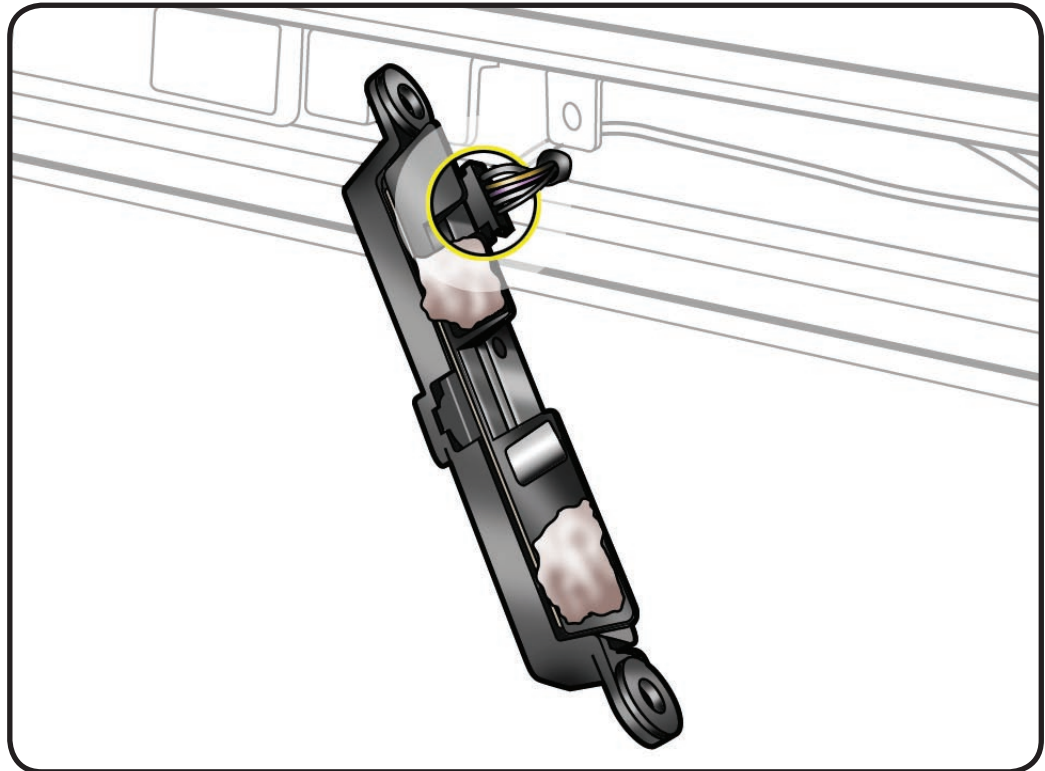
Removal

- 1 Remove 2 T10 screws:
 - 922-9239



- 2 Lift bracket out of rear housing.

- 3 Disconnect camera cable from camera board.





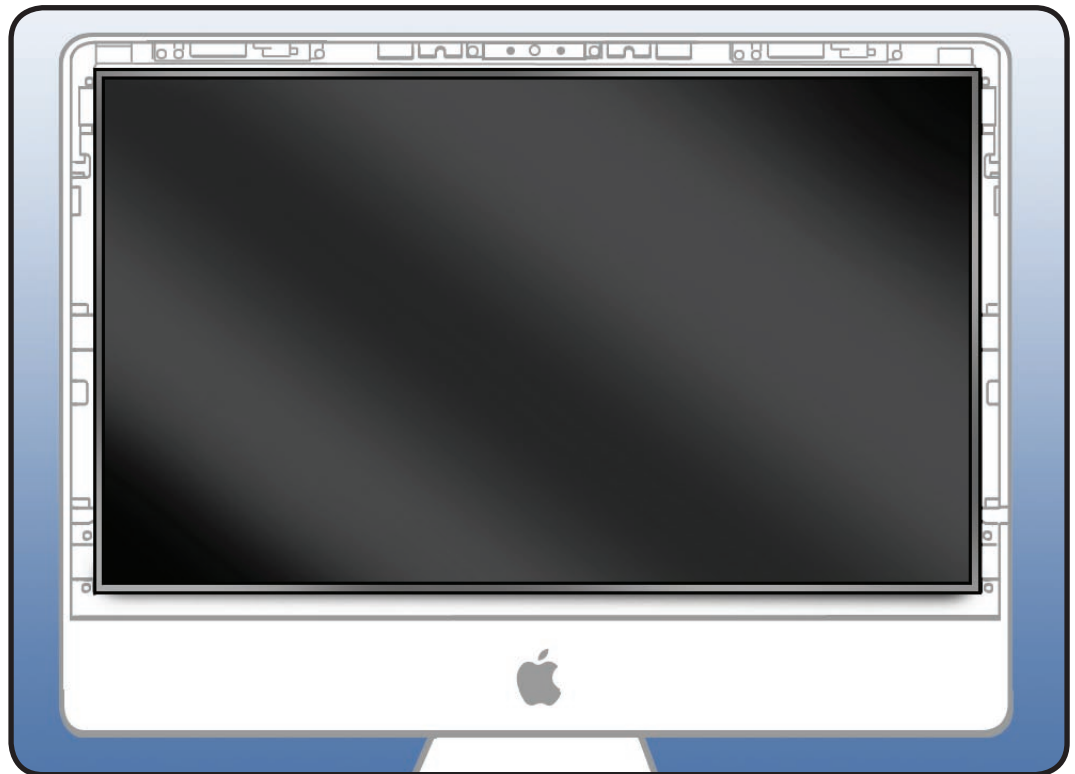
LCD Panel

First Steps

Remove

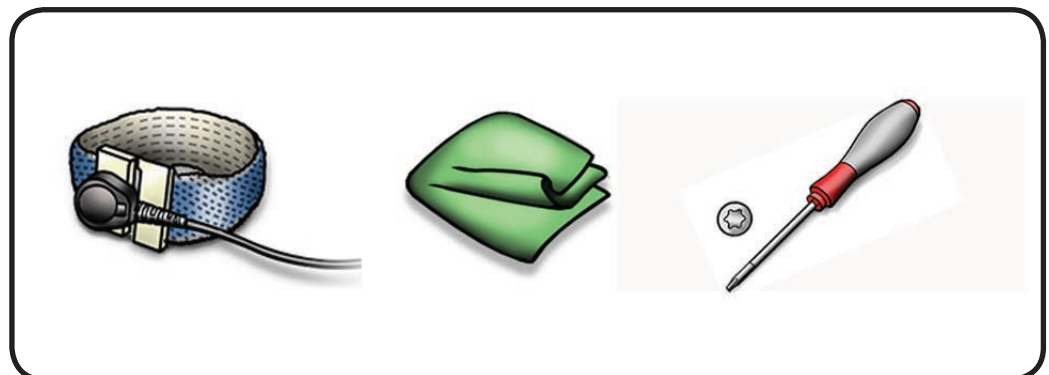
- Glass panel

Important: To prevent buildup of static charges which may attract dust particles to the surface of the display, store LCD panel in an anti-static bag whenever it has been removed from the computer.



Tools

- Magnetized T10 screwdriver
- ESD-wrist strap and mat
- ESD bag to store LCD panel



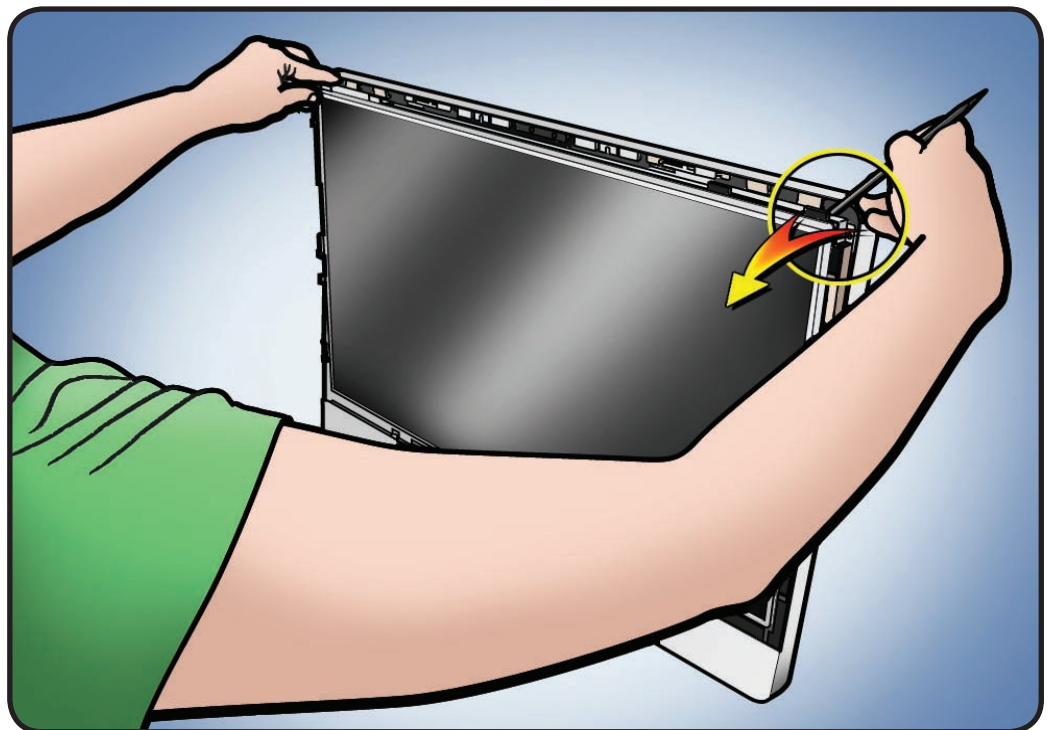


Removal

- 1 Remove 8 T10 screws:
922-9246

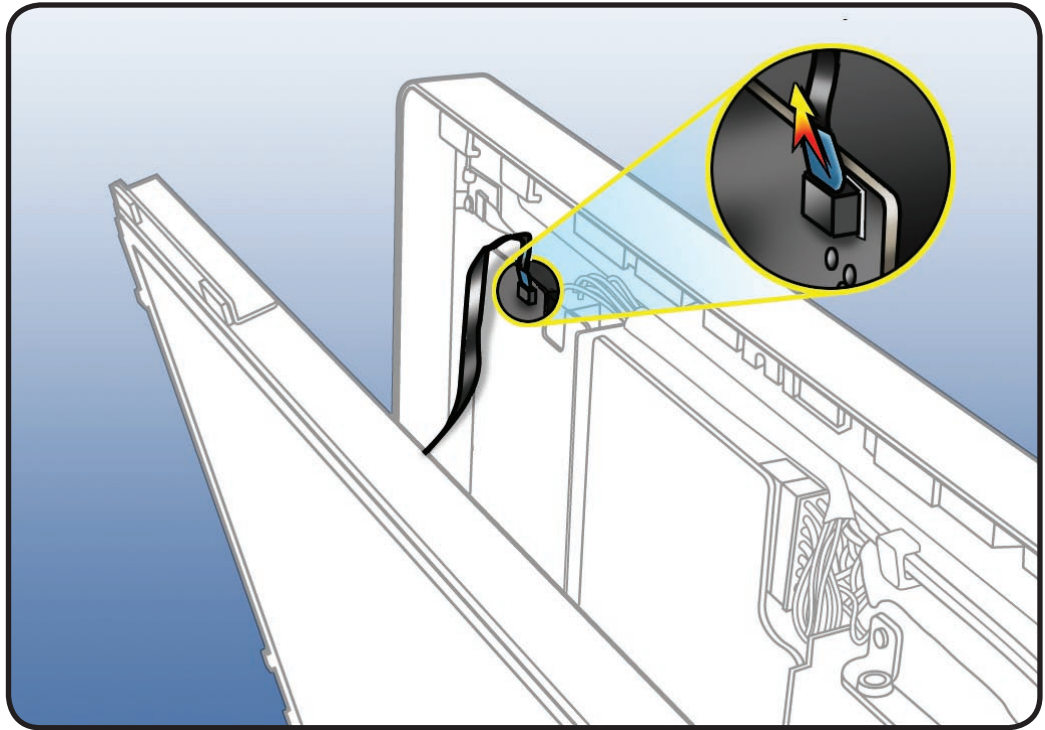


- 2 With a black stick, gently pry the LCD panel forward slightly to access cables inside.





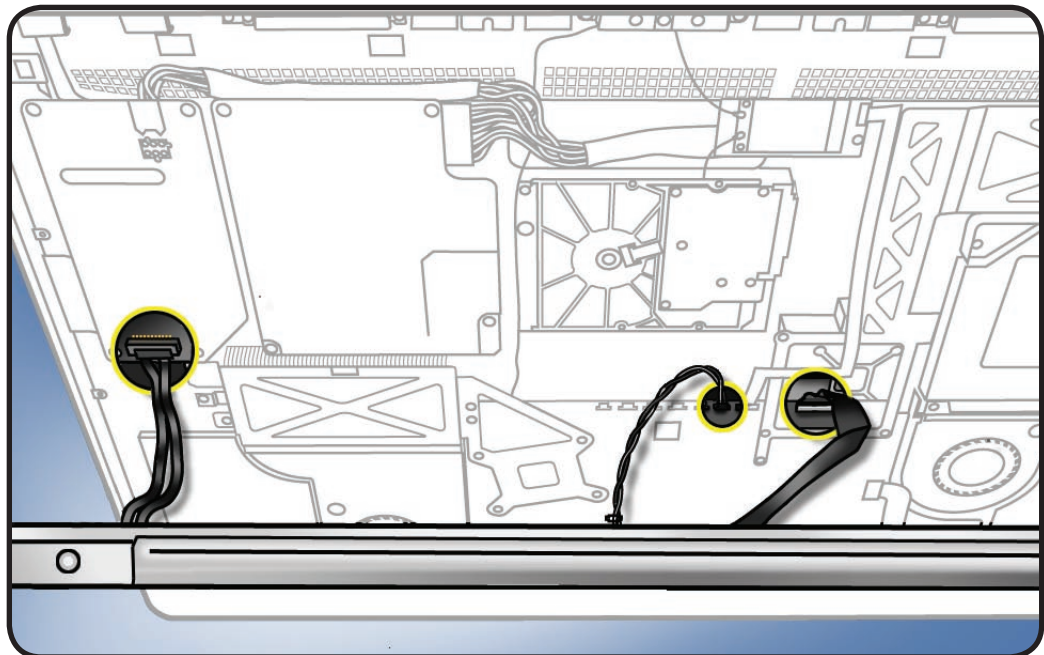
- 3** Disconnect the vertical sync cable from the backlight board. Pull cable straight up & out of connector.



- 4** Pull panel forward a few inches.

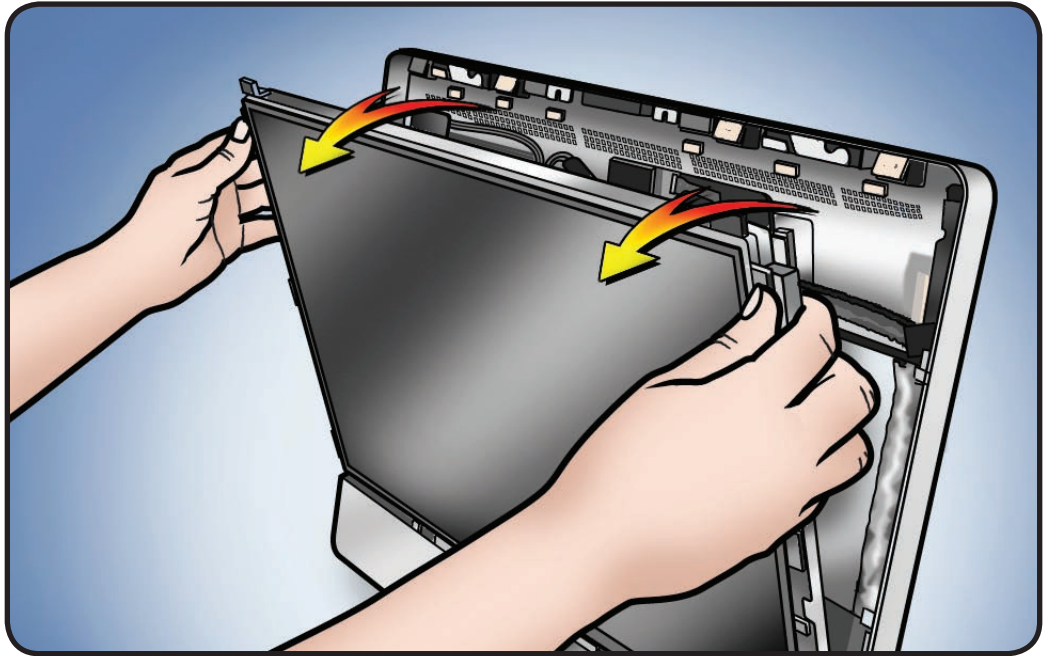
From left to right,

- backlight power (pinch & pull down)
- display temp sensor (pull straight up)
- DisplayPort (squeeze cable tabs & pull up)

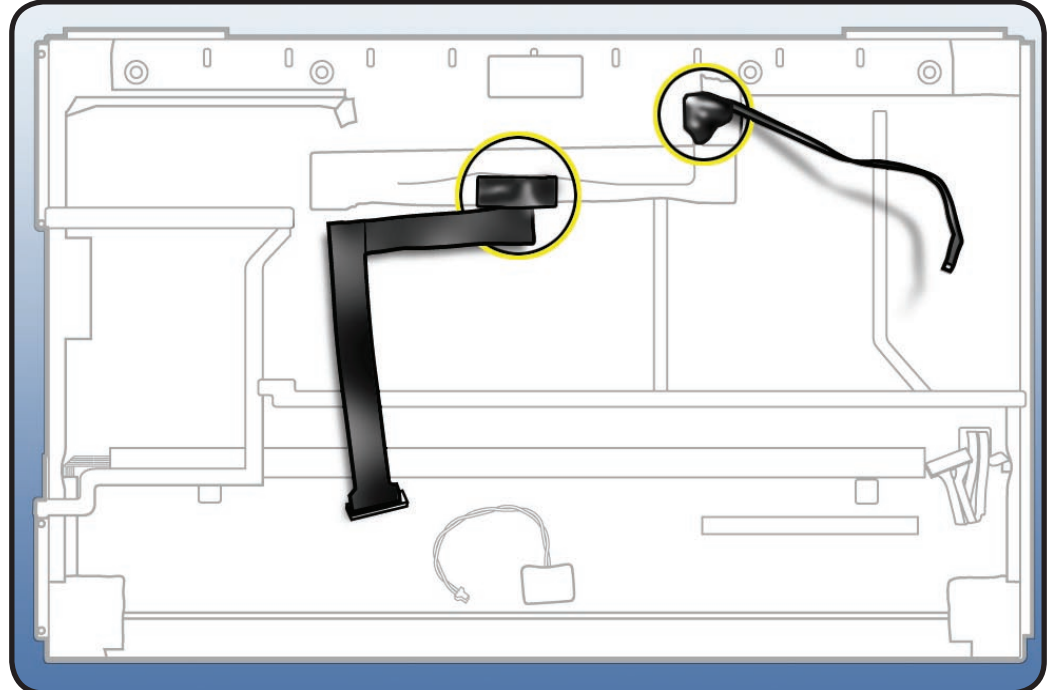




- 5 Lift the LCD panel off housing.



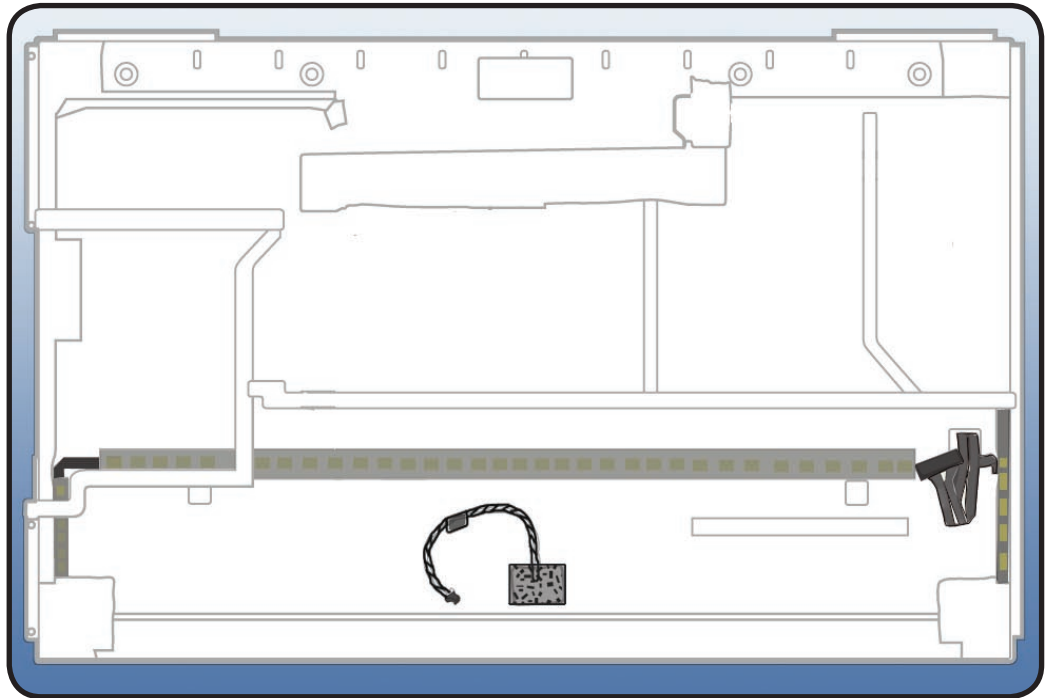
Replacement Note: If installing a new LCD panel, disconnect the DisplayPort cable and the vertical sync cable and transfer to new panel. Secure with black mylar tape included with new LCD panel.





Note: A replacement LCD panel includes:

- display temp sensor and retaining clip
- backlight power cable
- mylar tape

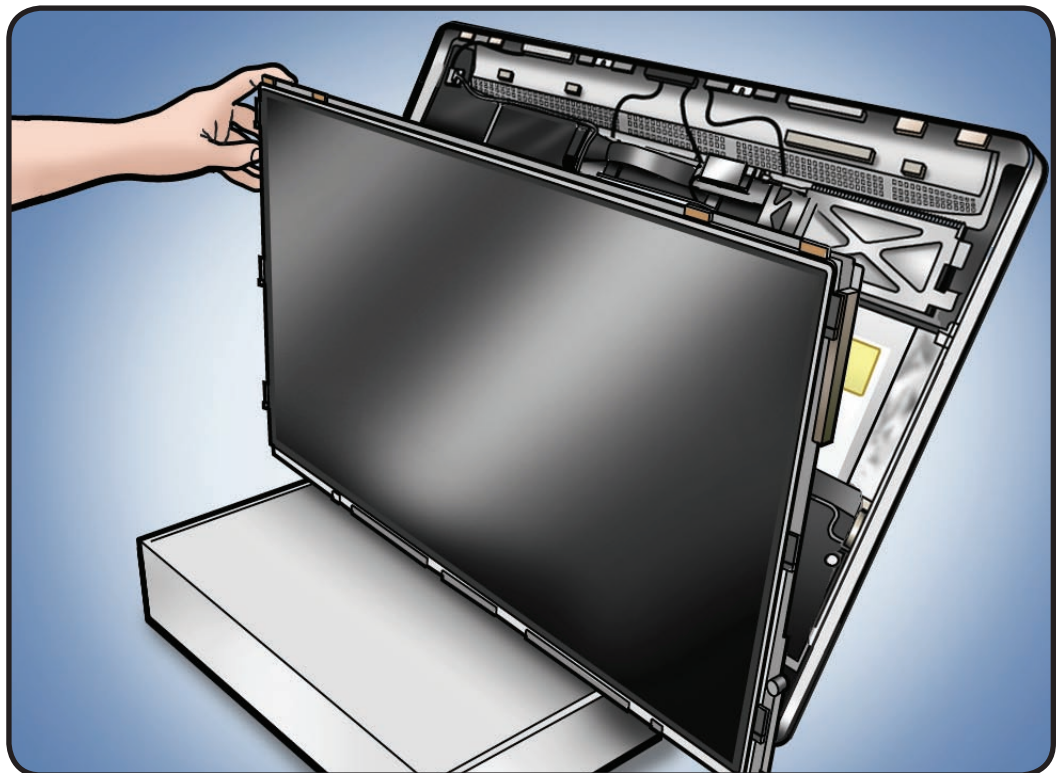


Reassembly

- 1 The panel is heavy!

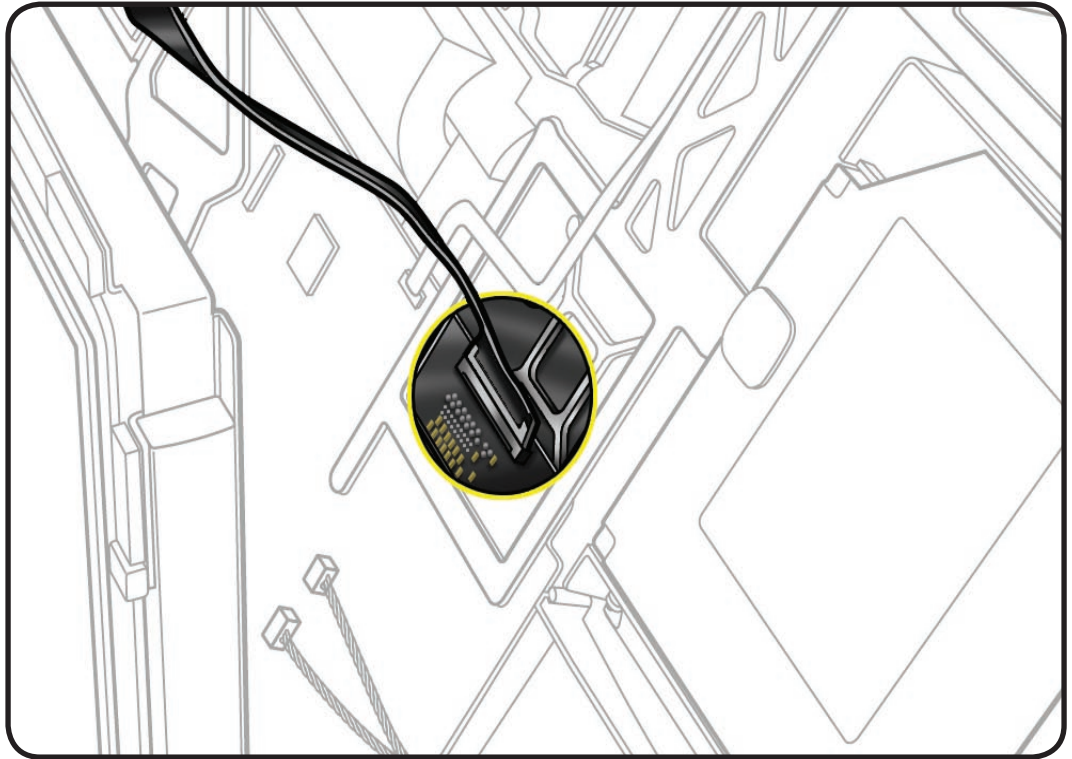
Set panel on a box or something equivalent to easily connect DisplayPort cable to logic board.

Note: To avoid scratching the enclosure, protect it with antistatic bag / cloth.





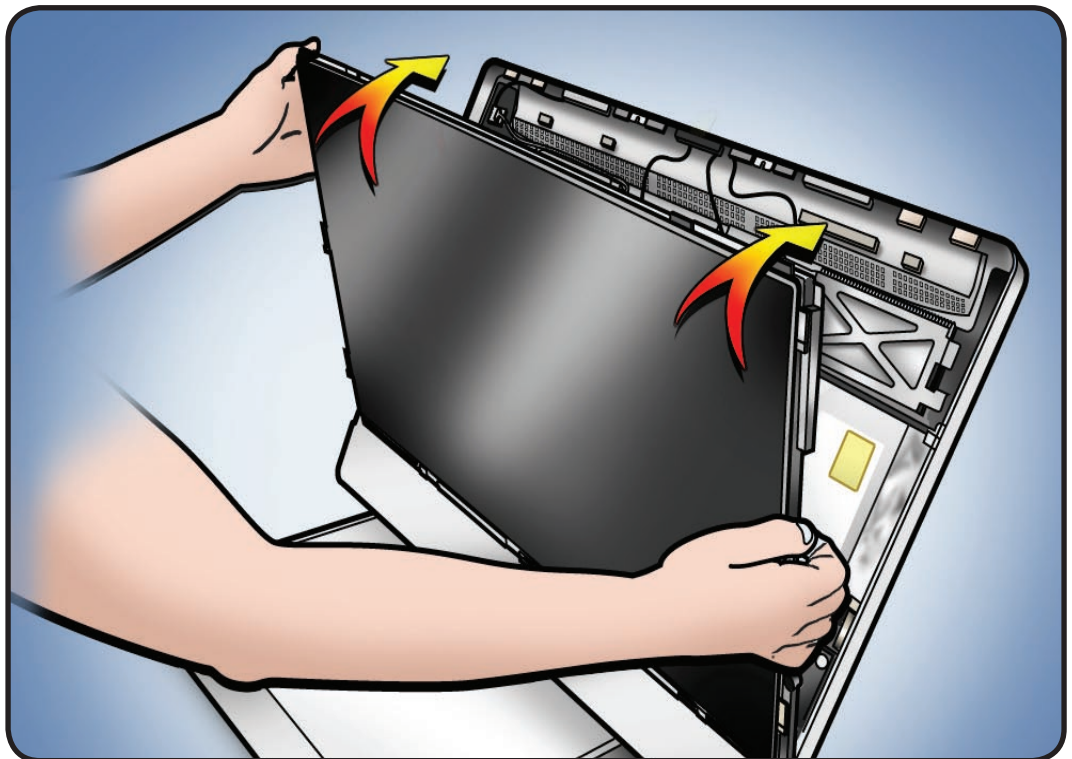
- 2 Lean panel toward logic board and connect DisplayPort cable.



- 3 Carefully lift panel up and off box and into channel on rear housing. **Note:** To avoid scratching the enclosure, protect it with antistatic bag / cloth.

- 4 Connect 3 display cables:
- backlight power
 - display temp sensor
 - vertical sync cable

- 5 Replace 8 screws.





Vertical Sync Cable

First Steps

Remove

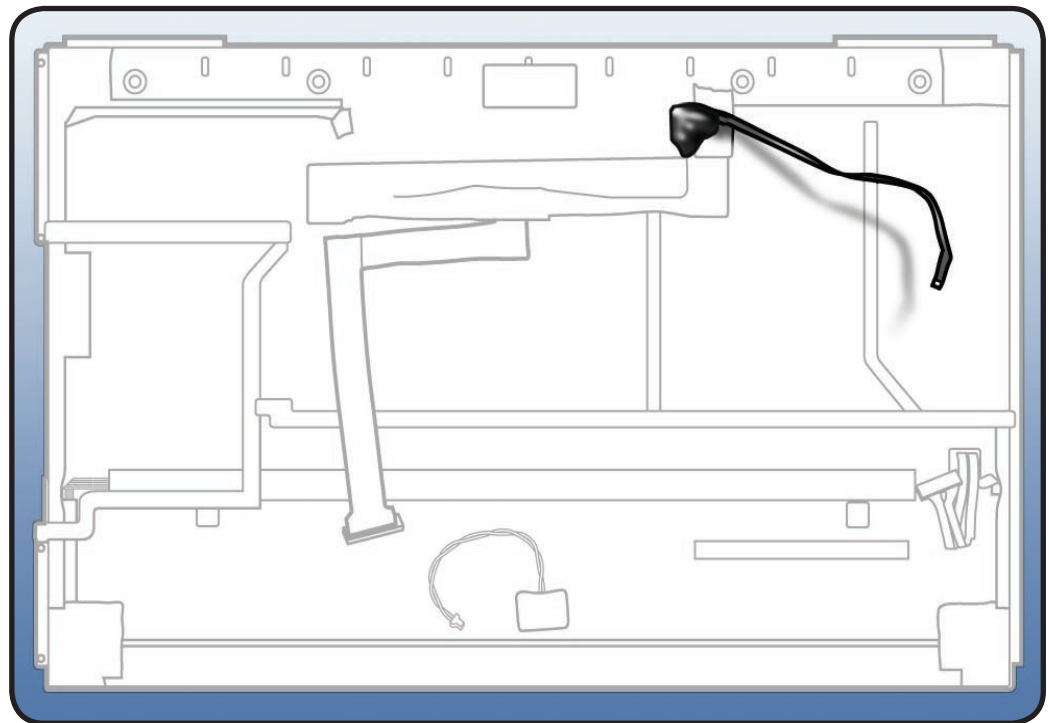
- Glass panel
- LCD panel

Tools

No tools are required.

Removal

- 1** Peel back any black mylar securing cable to LCD panel.
- 2** Pull cable straight out of connector.





LCD Temp Sensor Cable

First Steps

Remove

- Glass panel
- LCD panel

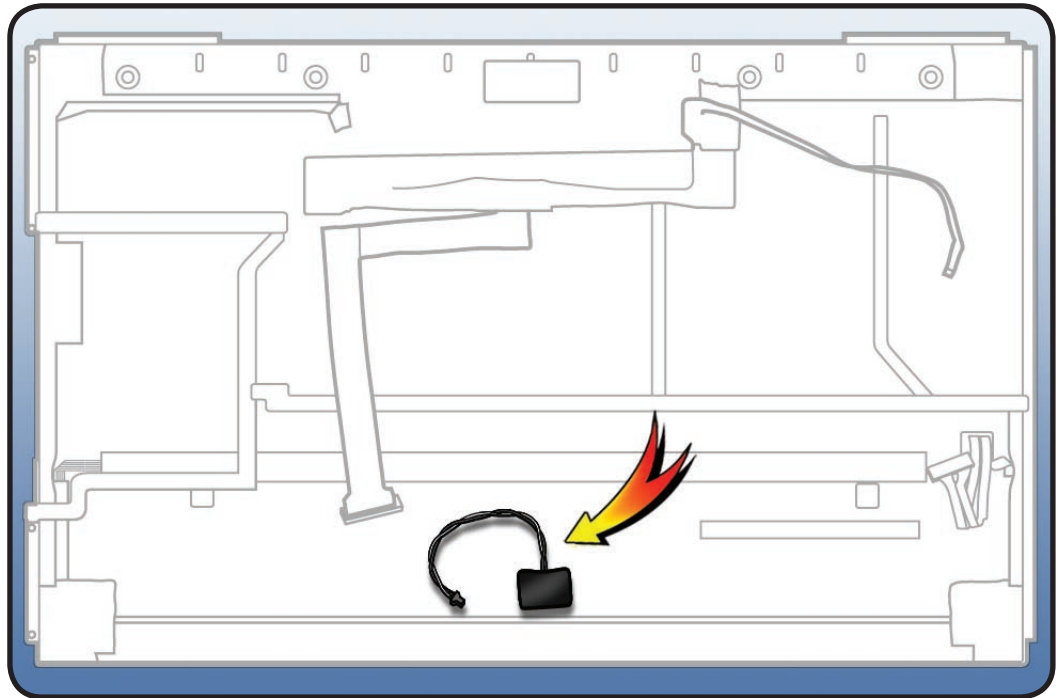
Tools

No tools are required for this procedure.

Removal

Peel back black foam gasket and remove temp sensor cable from sensor clip.

Note: The LCD temp sensor is included with a replacement panel.





DisplayPort Cable

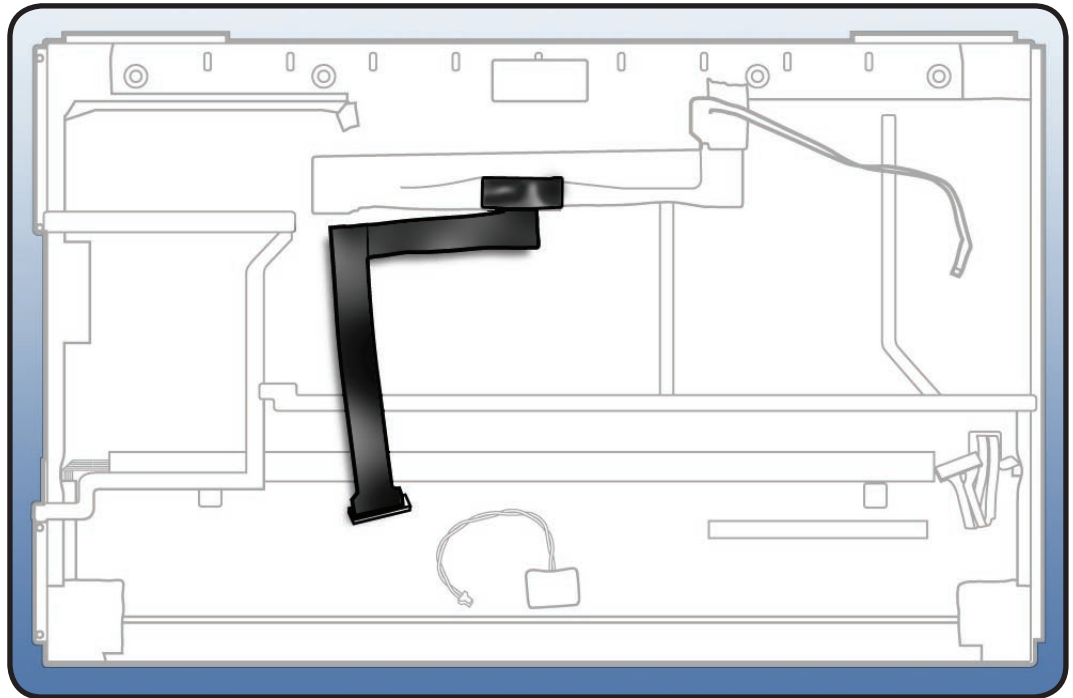
First Steps

Remove

- Glass panel
- LCD panel

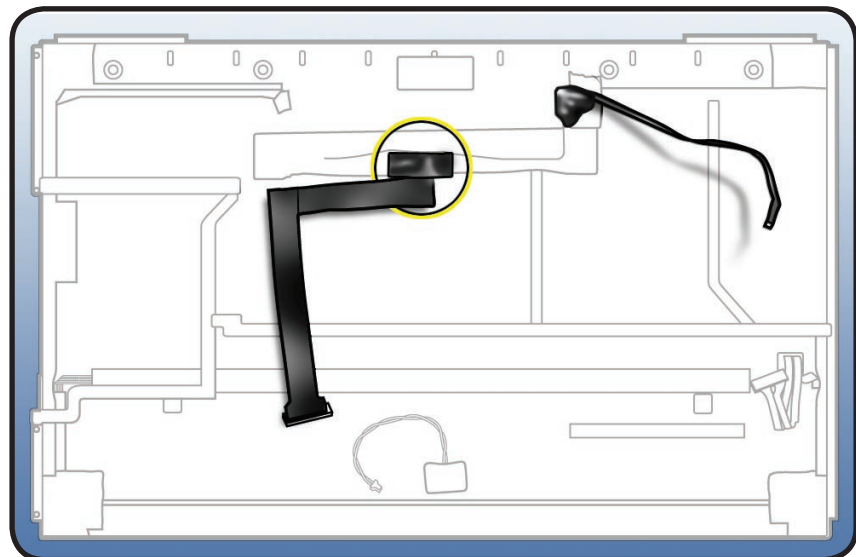
Tools

No tools are required for this procedure.



Removal

- 1 Peel back any mylar tape securing cable to LCD panel.
- 2 Press in on side release clips and then gently pull down to disconnect DisplayPort cable.



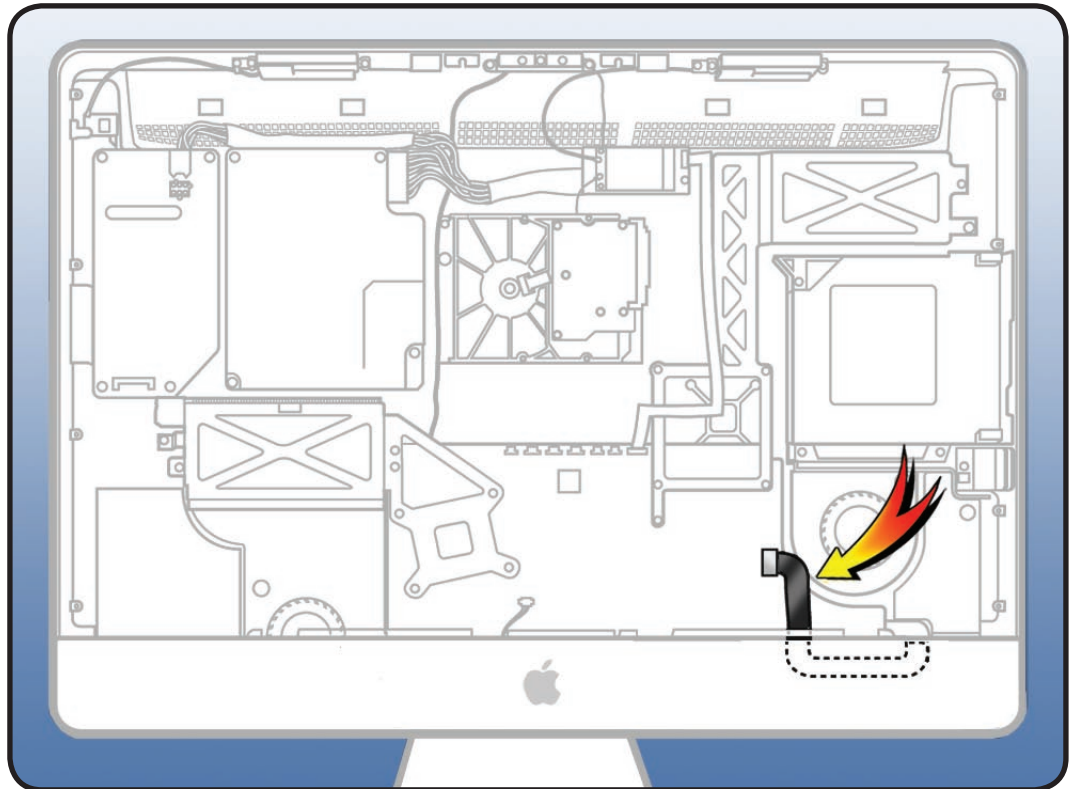


Audio Ports and Cable

First Steps

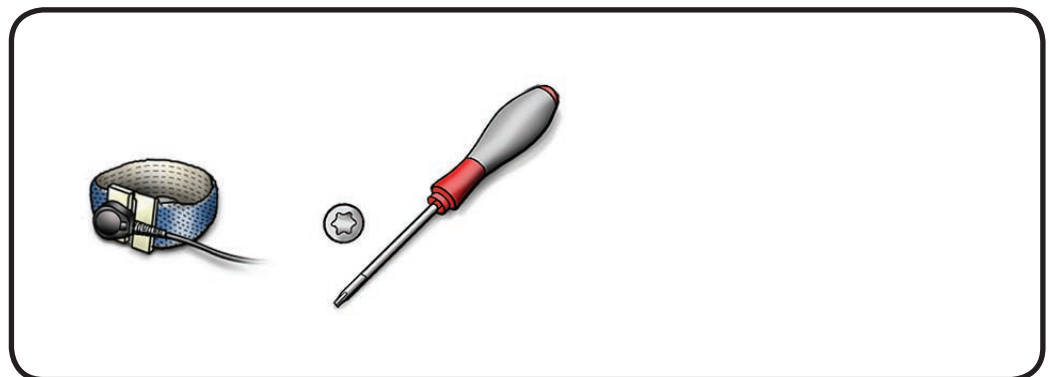
Remove

- Glass panel
- LCD panel



Tools

- Torx T10 screwdriver
- ESD mat and wrist strap





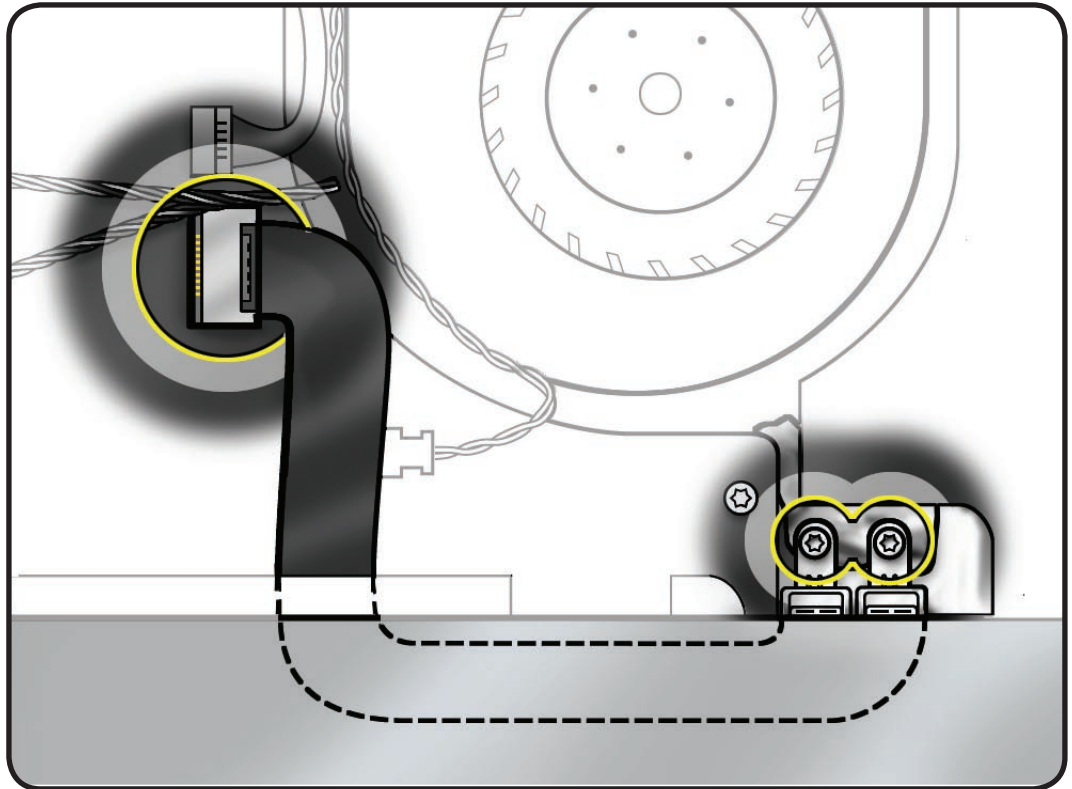
Removal

- 1 Disconnect audio cable from logic board and remove 2 T10 screws.

- 922-9245



- 2 Wiggle ports out of rear housing.



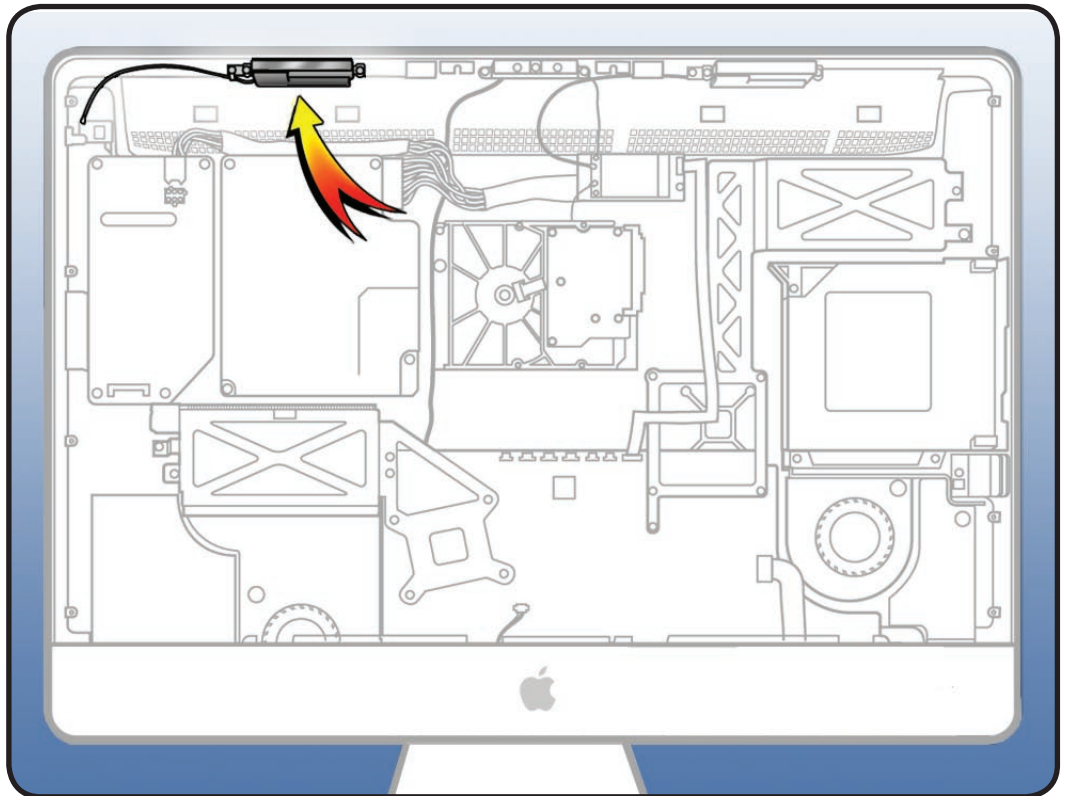


Bluetooth Antenna

First Steps

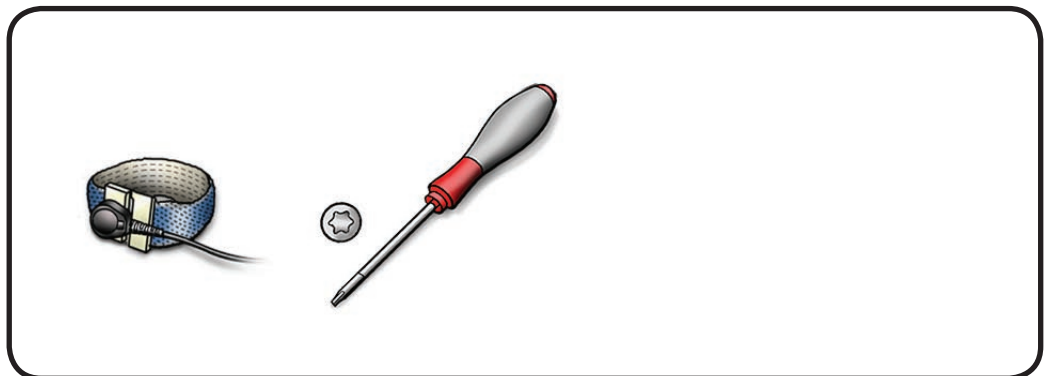
Remove

- Glass panel
- LCD panel



Tools

- Magnetized Torx T8 screwdriver
- ESD-wrist strap and mat





Removal

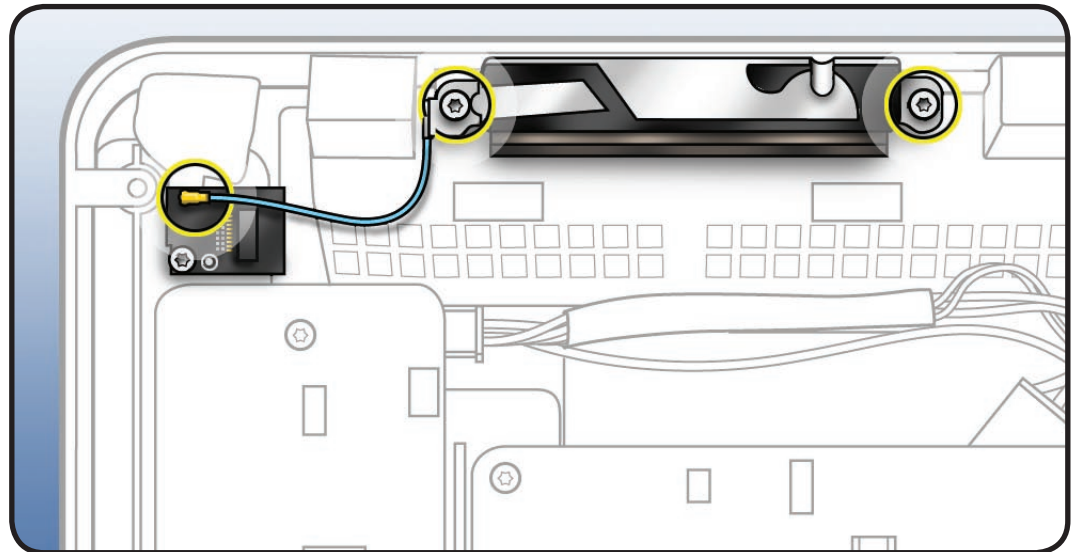
1 Disconnect the blue antenna.

2 Remove 2 T8 screws on antenna board:

- 922-4723



3 Remove antenna from housing.



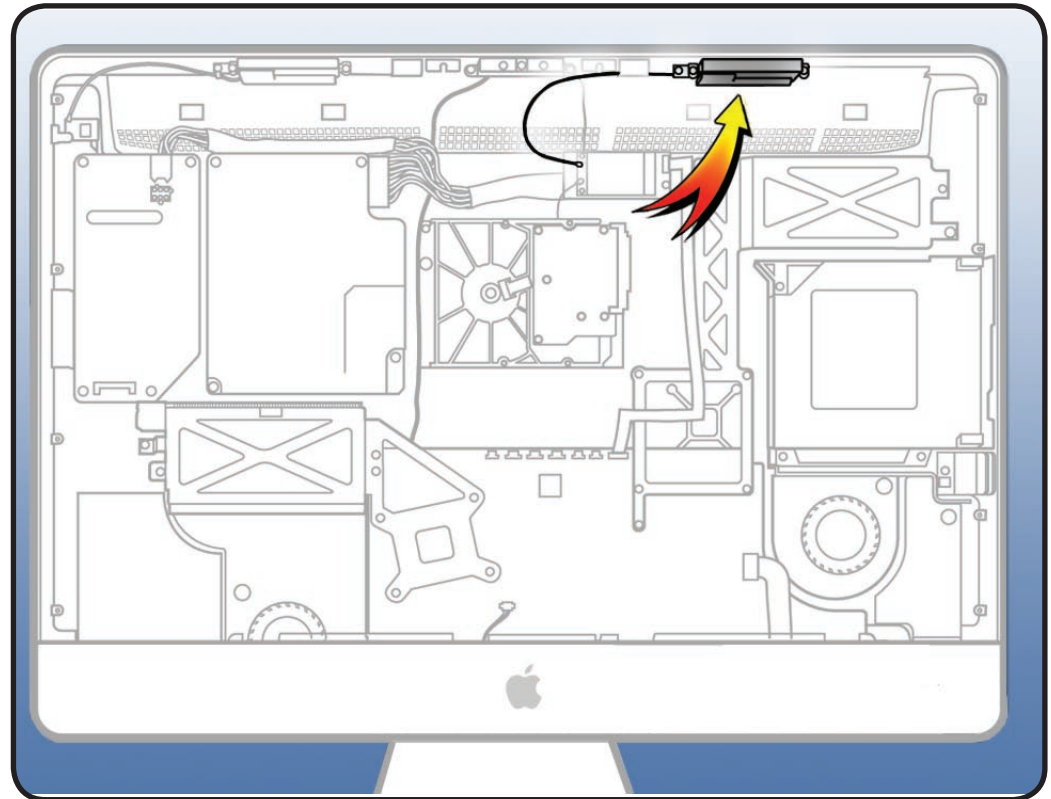


AirPort Antenna

First Steps

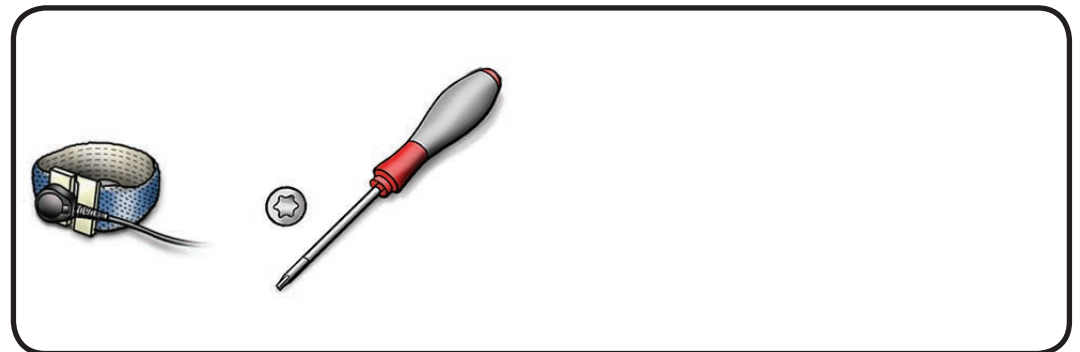
Remove

- Glass panel
- LCD panel



Tools

- Magnetized Torx T8 screwdriver
- ESD-wrist strap and mat

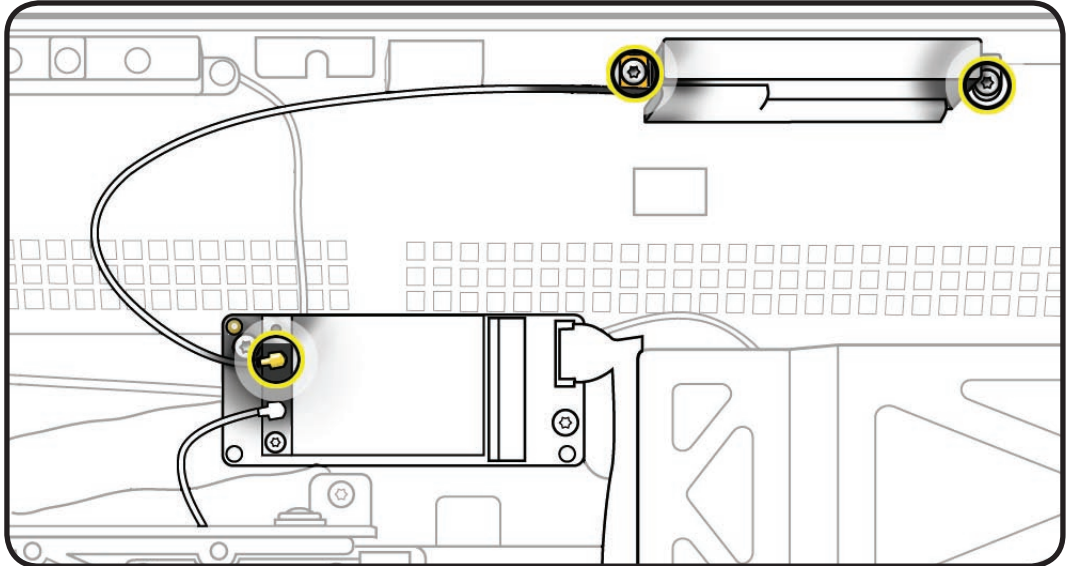




Removal

- 1 Disconnect black antenna cable from AirPort card. The other AirPort antenna is part of the rear housing.

WARNING: Be careful not to damage AirPort antenna connectors as it may induce antenna or rear housing replacement (lower antenna is part of rear housing).



- 2 Remove 2 T8 antenna screws:
 - 922-4723



- 3 Remove antenna from housing.

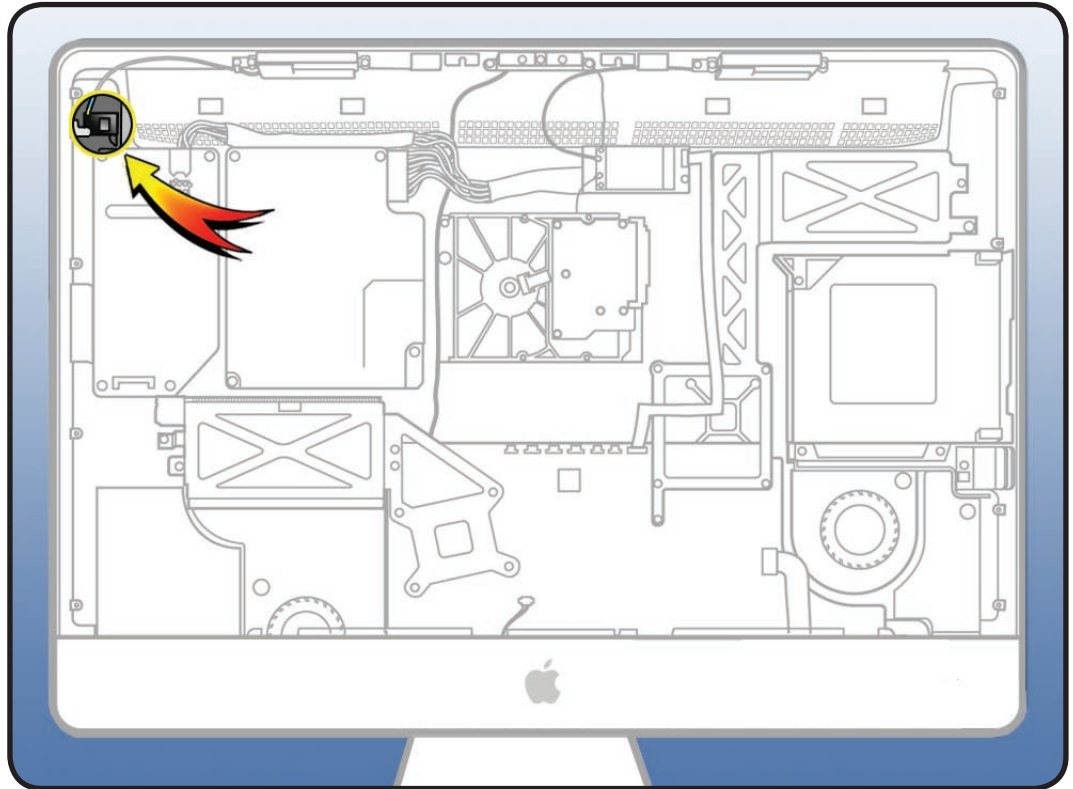


Bluetooth Board

First Steps

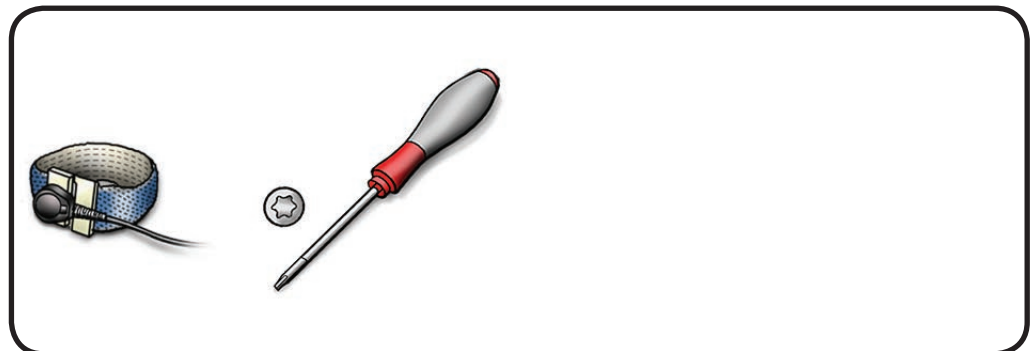
Remove

- Glass panel
- LCD panel



Tools

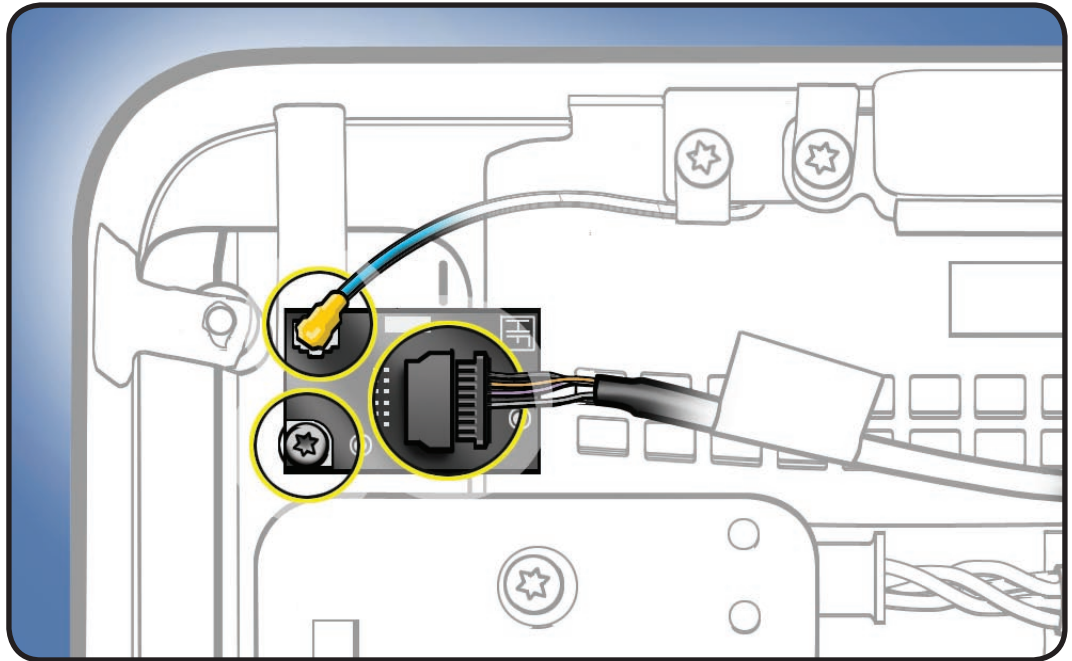
- Magnetized Torx T8 screwdriver
- ESD-wrist strap and mat





Removal

- 1** Disconnect 2 cables:
 - Bluetooth antenna (blue)
 - Bluetooth data cable
- 2** Remove 1 T8 screw:
 - 922-9247



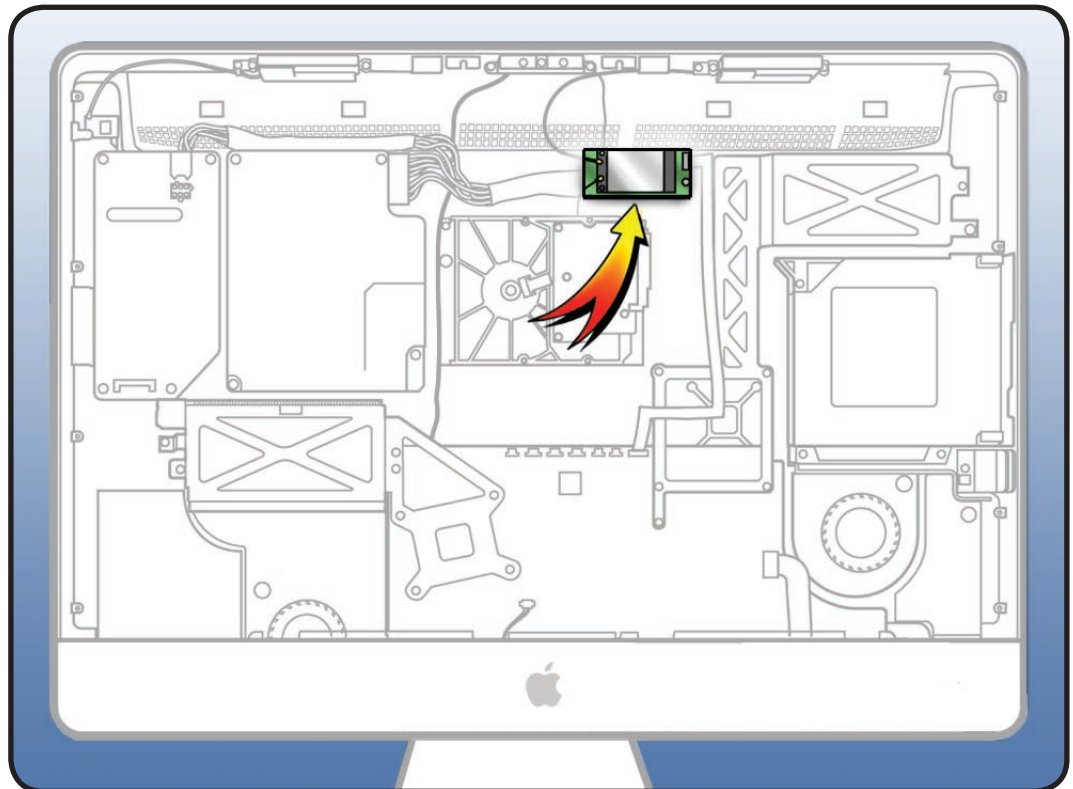


AirPort Card

First Steps

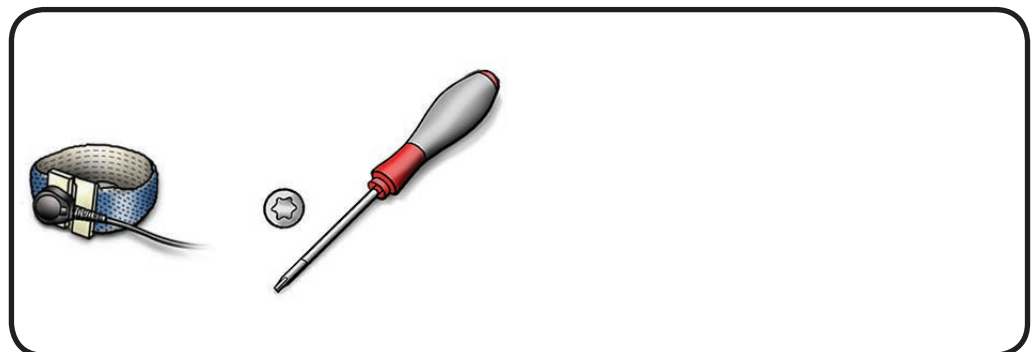
Remove

- Glass panel
- LCD panel



Tools

- Magnetized Torx T6 screwdriver
- ESD-wrist strap and mat





Removal

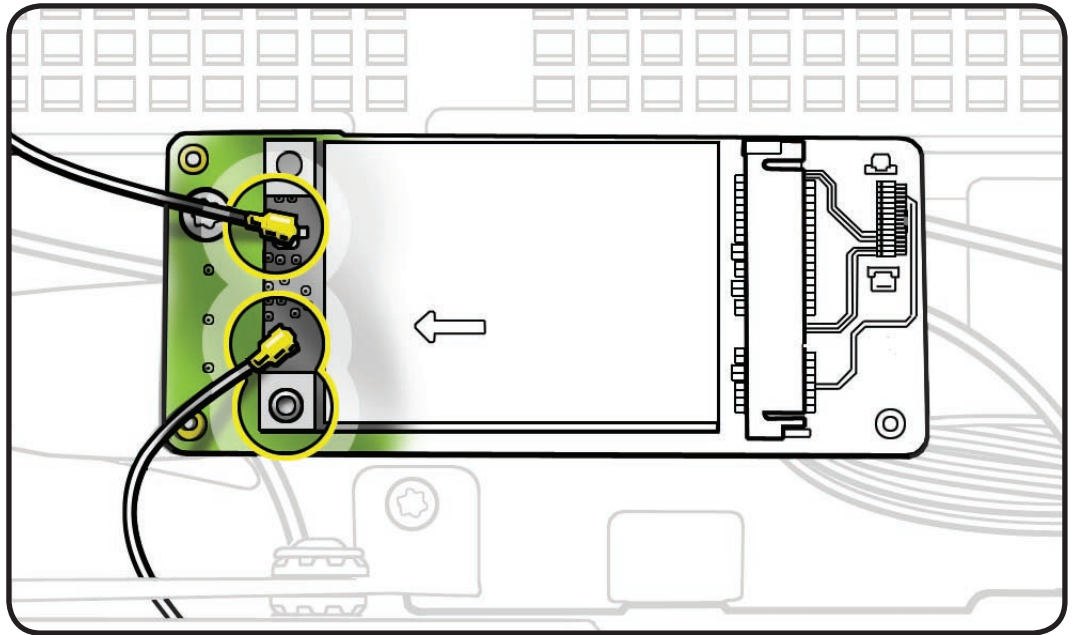
- 1 Remove 1 T6 screw.
 - 922-8579



- 2 Disconnect 2 AirPort antenna cables.

WARNING: Be careful not to damage AirPort antenna connectors as it may induce antenna or rear housing replacement (lower antenna is part of rear housing).

- 3 Hold the AirPort card by edges and pull it out of the AirPort card carrier slot.



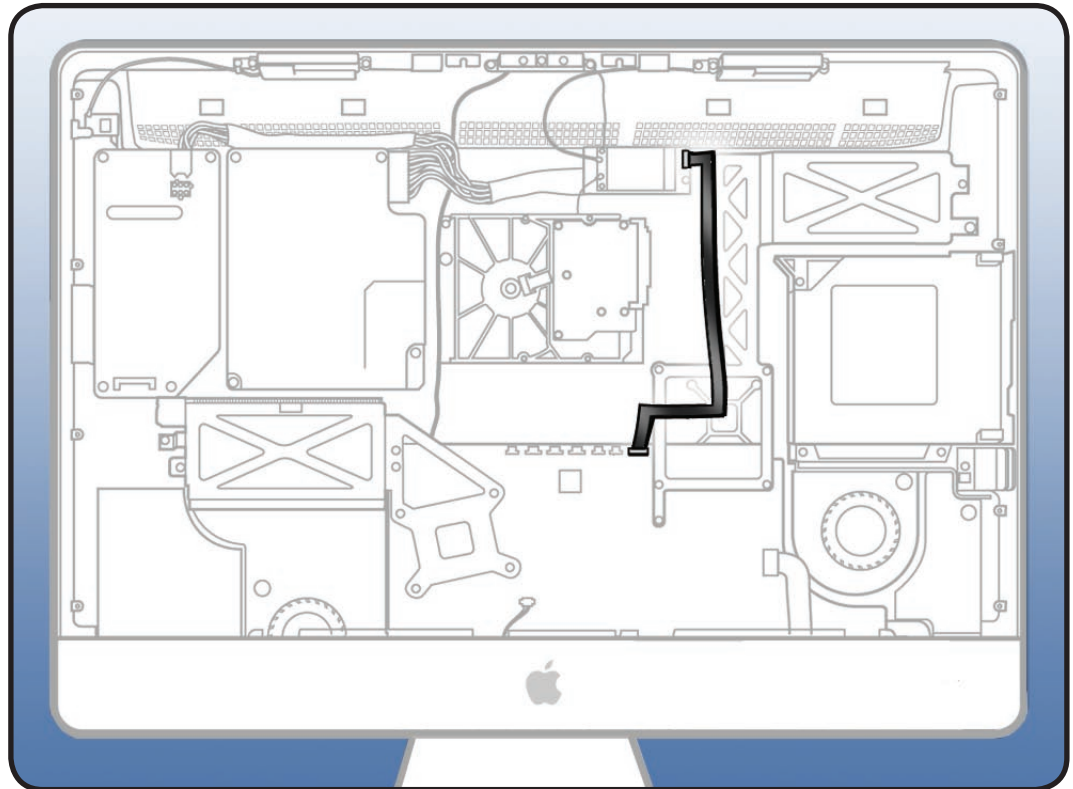


AirPort Cable

First Steps

Remove

- Glass panel
- LCD panel



Tools

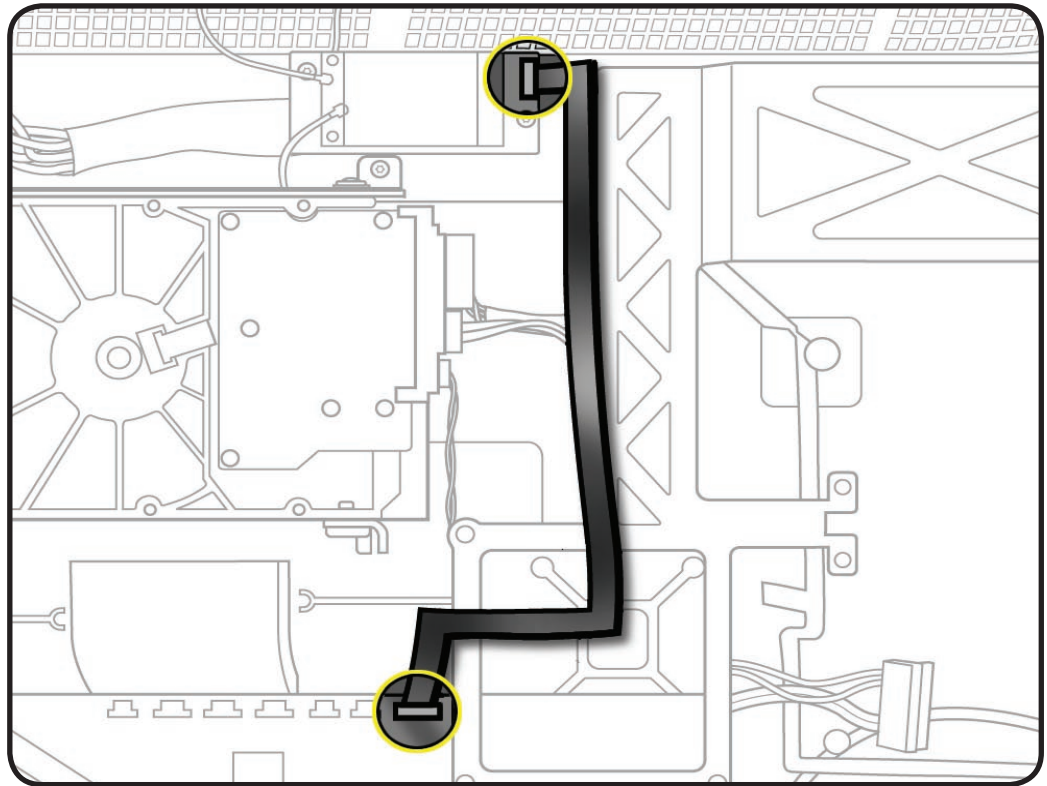
- ESD-wrist strap and mat





Removal

With a black stick, carefully pry AirPort cable straight up and off AirPort carrier board and logic board.



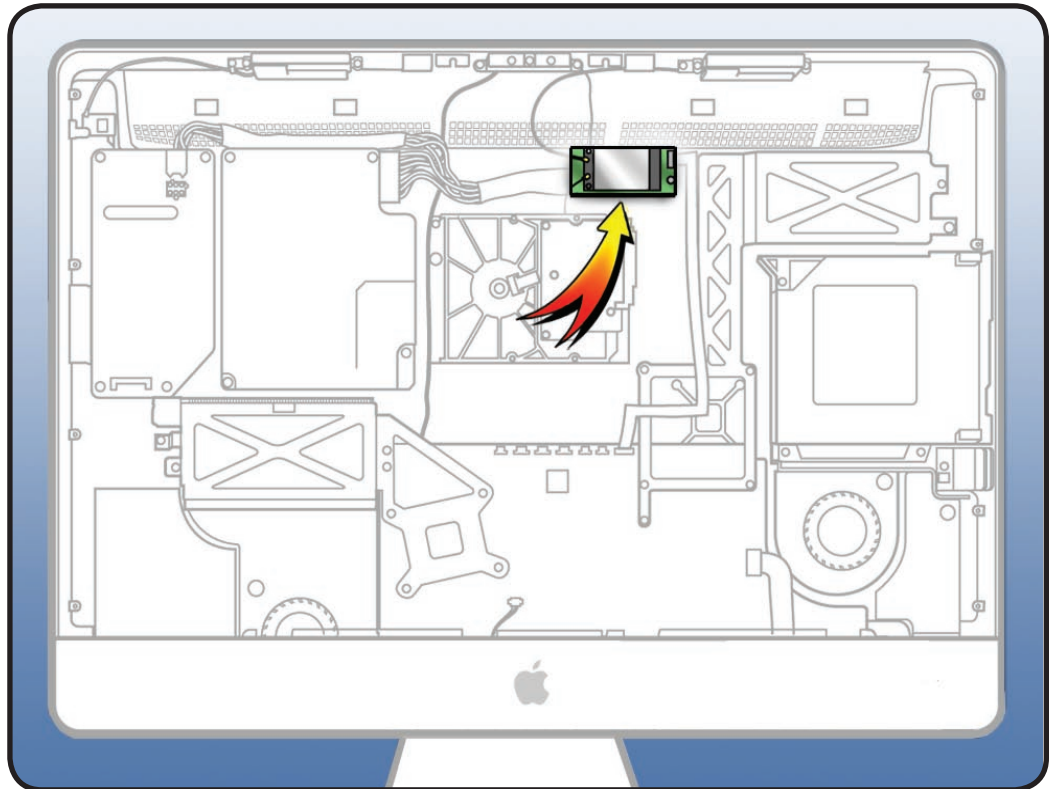


AirPort Carrier Board

First Steps

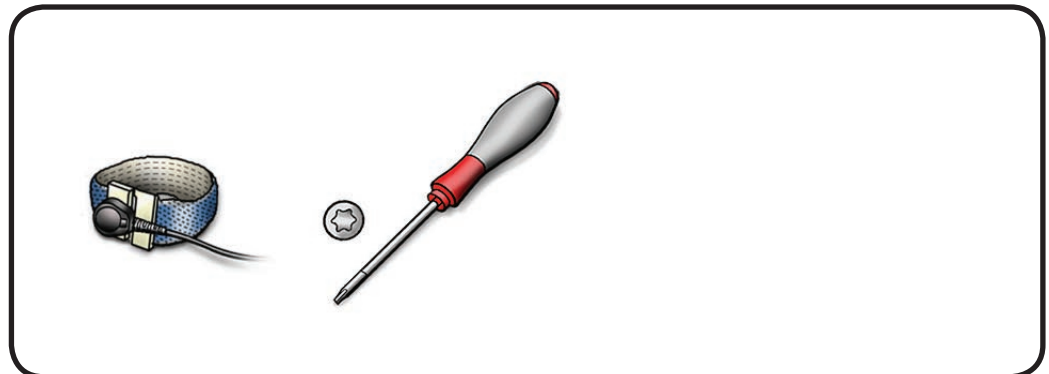
Remove

- Glass panel
- LCD panel
- AirPort card



Tools

- Magnetized Torx T10 screwdriver
- ESD-wrist strap and mat



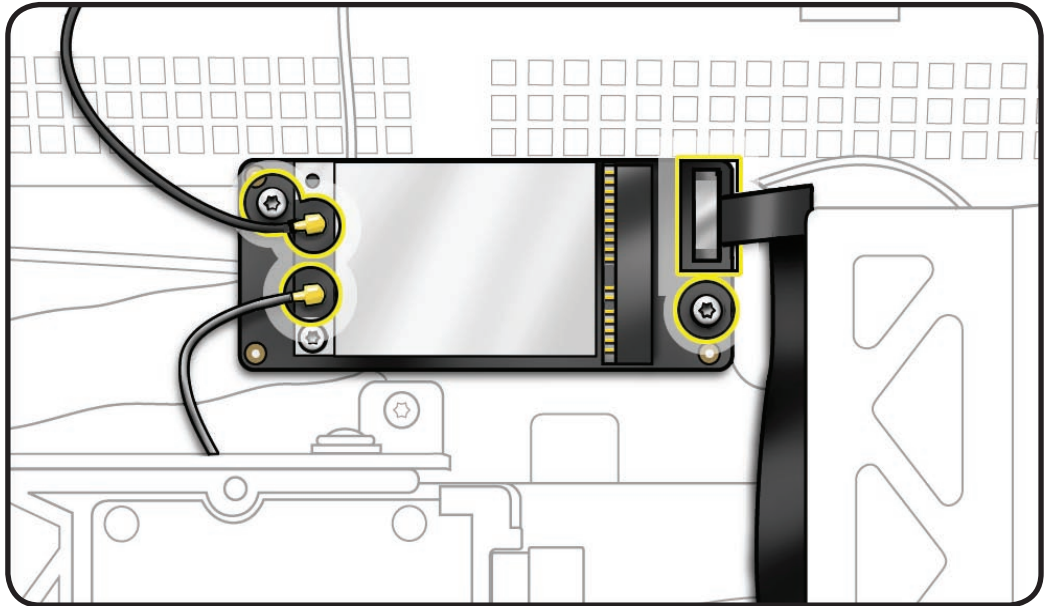


Removal

- 1 Disconnect 3 cables:
 - 2 AirPort antennas
 - 1 AirPort cable

WARNING: Be careful not to damage AirPort antenna connectors as it may induce antenna or rear housing replacement (lower antenna is part of rear housing).

- 2 Remove 2 T10 screws:
 - 922-6850





LED Backlight Board

First Steps

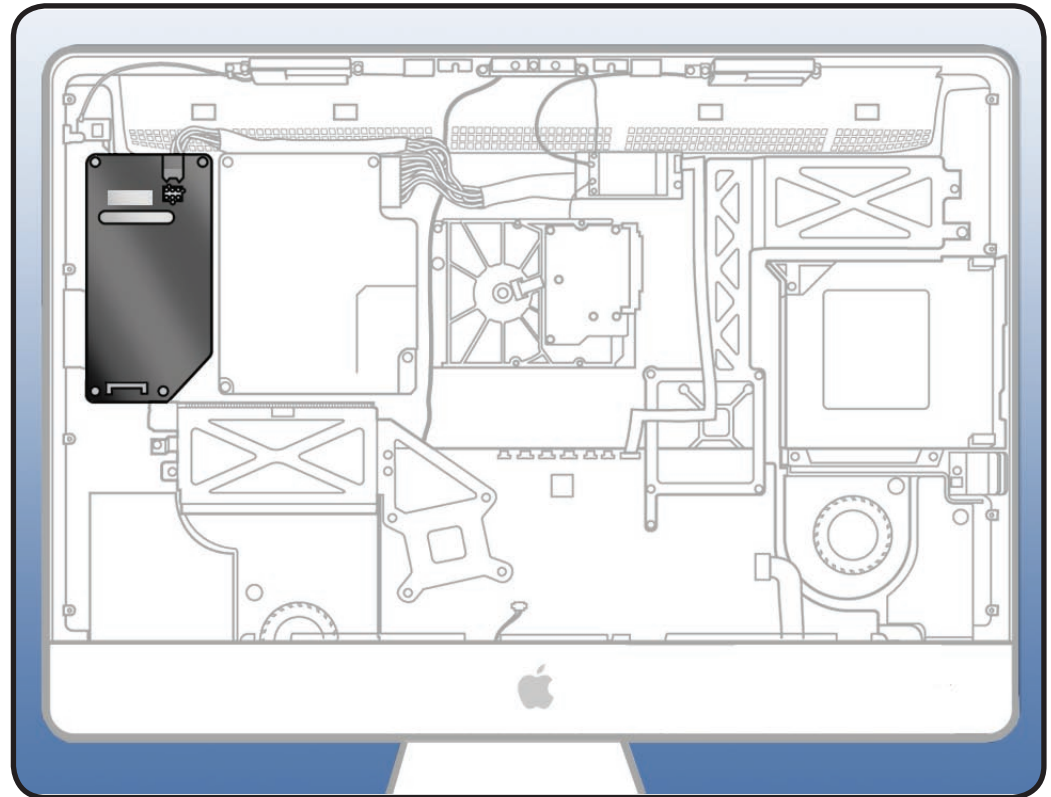
Remove

- Glass panel
- LCD panel

Warning: HIGH VOLTAGE

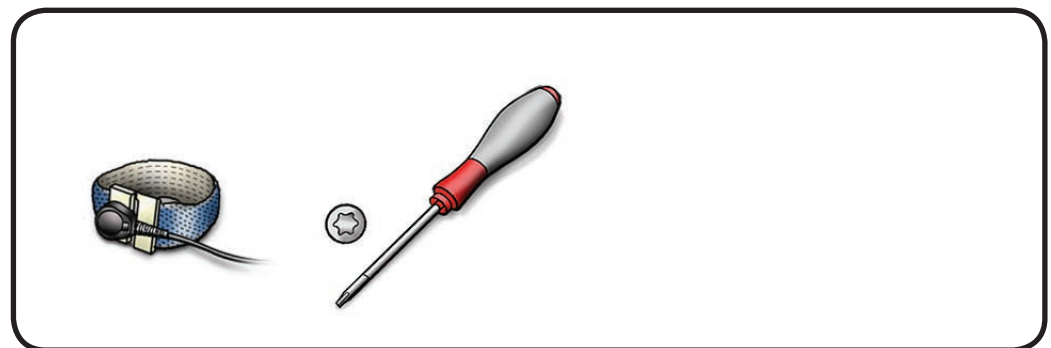


Use extreme caution when working around the capacitors in the top right corner of the backlight board, which contain high-voltage that may remain charged for several minutes even when computer is unplugged. Never touch the leads on the top side of the backlight board.



Tools

- Torx T10 screwdriver
- ESD mat and wrist strap



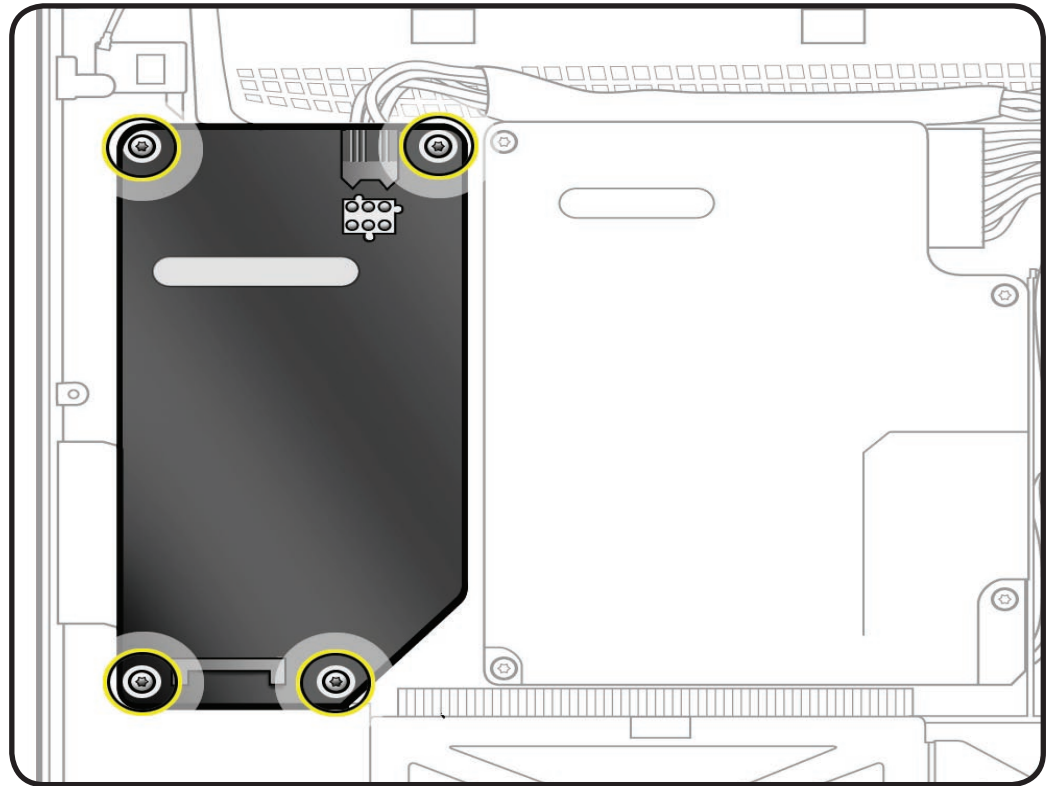


Removal

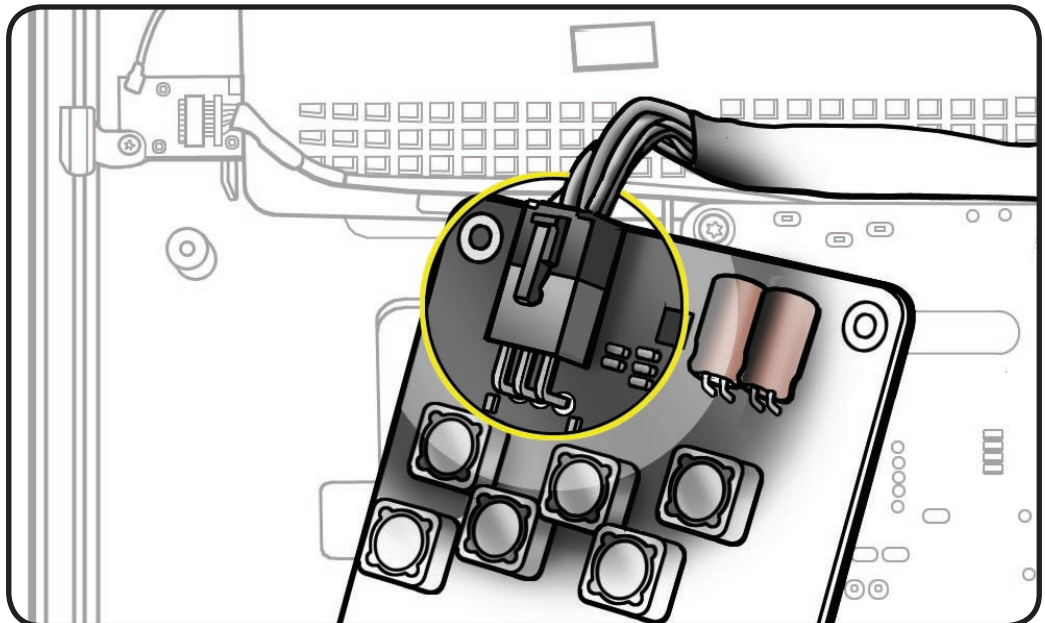
Warning: HIGH VOLTAGE

If the computer is shut down by removing the power cord, allow the backlight board a good 2-3 minutes to discharge the capacitors before handling it. However, if you select “Shut Down” via the Apple menu, the computer will discharge the capacitors almost immediately.

- 1 Remove 4 T10 screws.
 - 922-6850



- 2 Turn over board and disconnect backlight power cable.





Power Supply

First Steps

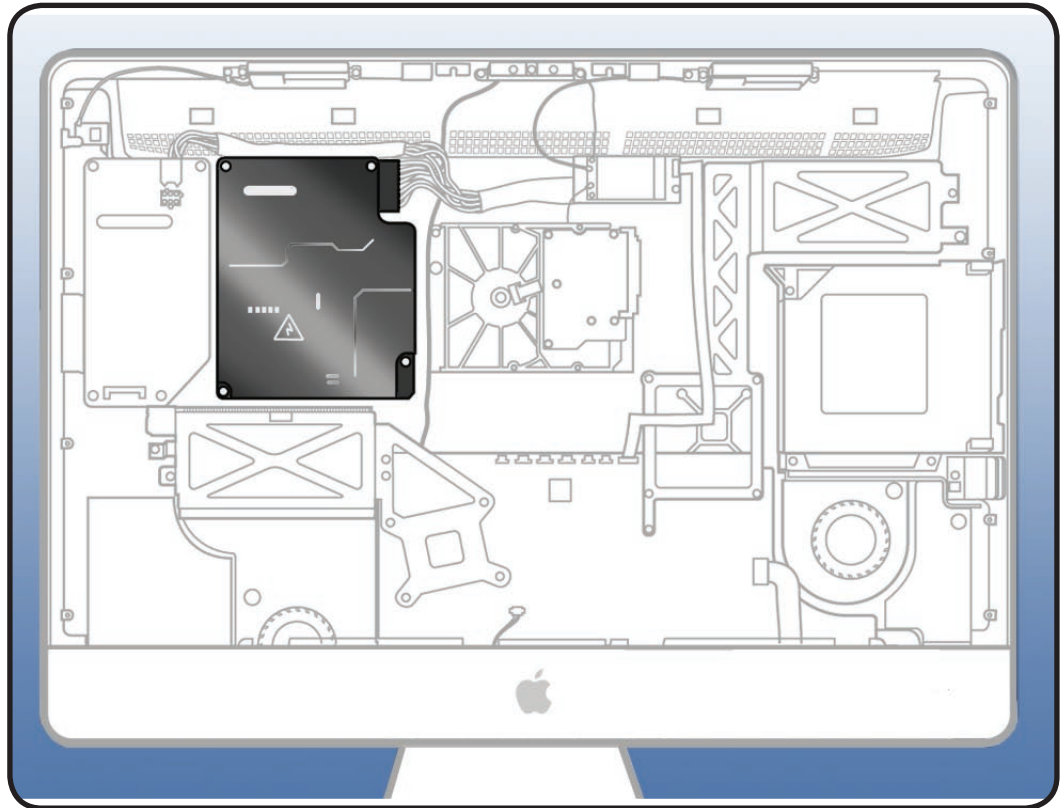
Remove

- Glass panel
- LCD panel

WARNING: HIGH VOLTAGE

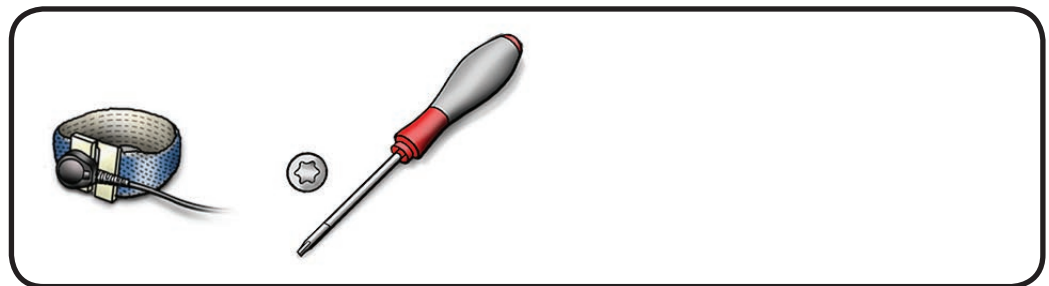


Use extreme caution when working around the power supply, which contains a high-voltage capacitor that may remain charged for several minutes even when the computer is unplugged. Never touch the leads on the top side of the power supply, especially those near the warning sign.



Tools

- Magnetized Torx T10 screwdriver
- ESD-wrist strap and mat





Removal

WARNING: HIGH VOLTAGE

If the computer is shut down by removing the power cord, allow the power supply a good 2-3 minutes to discharge the capacitors before handling it. However, if you select “Shut Down” via the Apple menu, the computer will discharge the power supply capacitor almost immediately.

- 1 Remove 4 T10 screws.

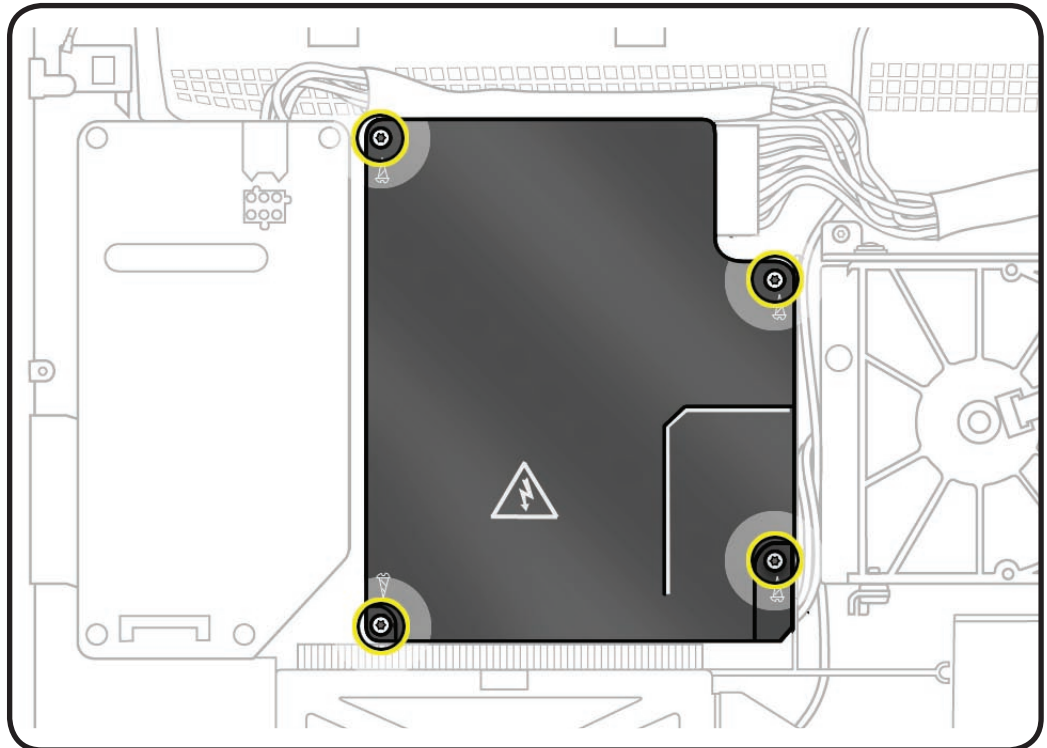
 - 1 self-tapping, 922-6850, top left corner



- 2 machine, 922-9244 machine, near hard drive

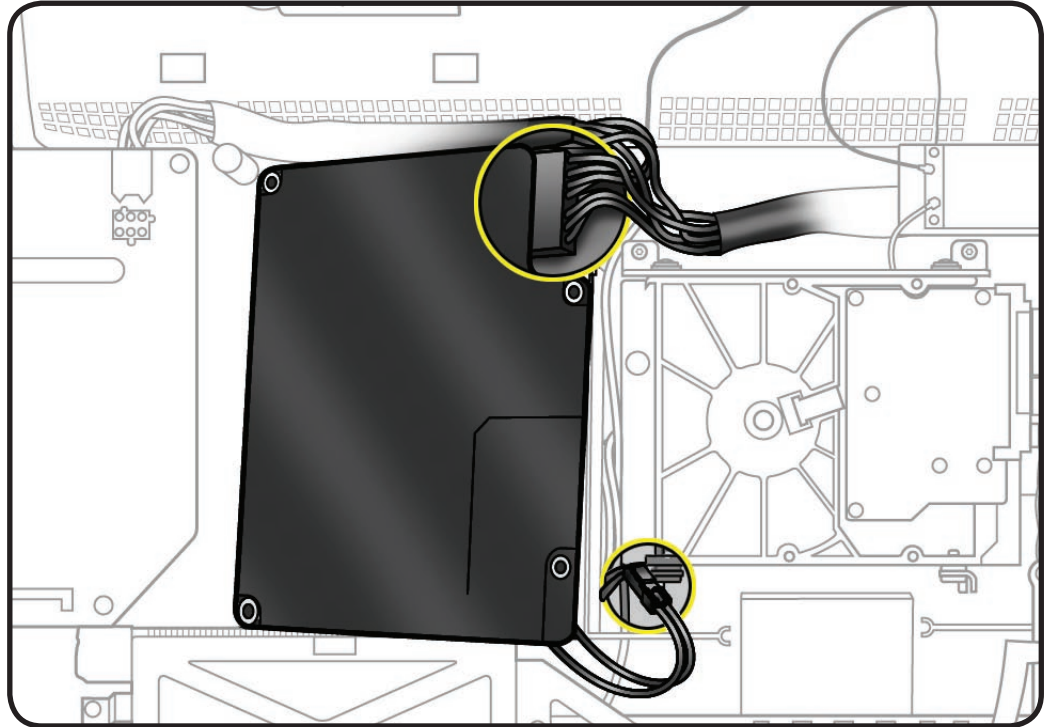


- 1 longer machine, 922-9243, bottom left corner



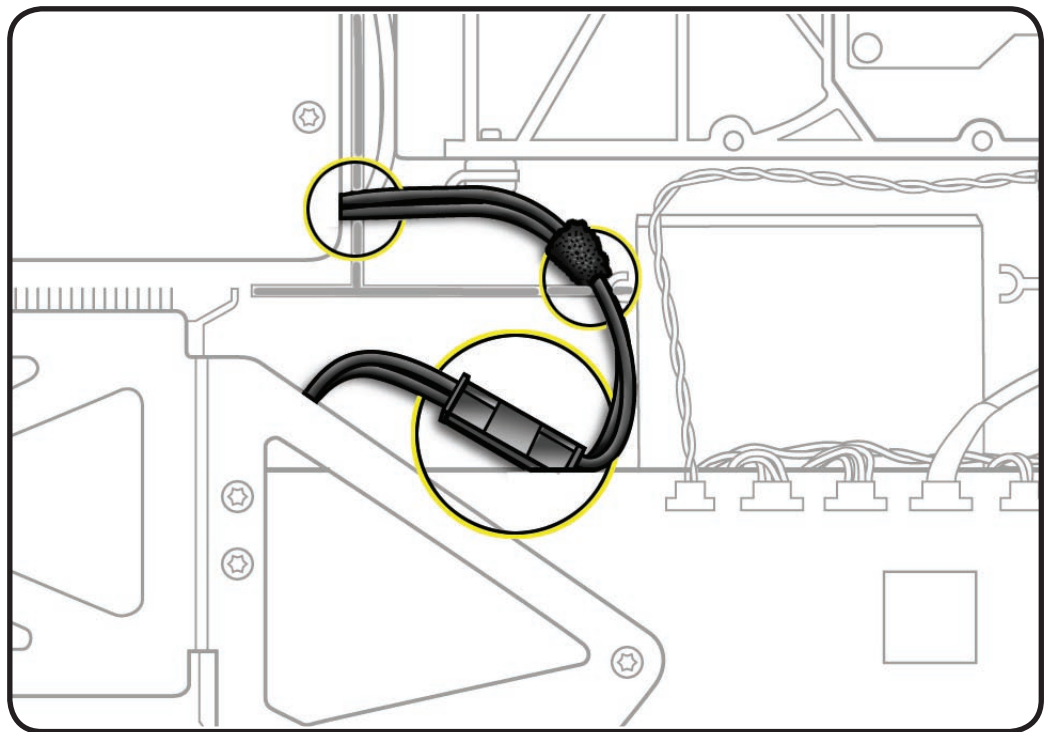


- 2** Disconnect 2 cables:
 - DC power
 - AC power inlet
- 3** Lift power supply out of rear housing.



Reassembly

- 1** Route AC power inlet cable over power supply pressure wall.
- 2** Connect AC power cable and tuck edge of connector under logic board.
- 3** Press cable into notches on pressure wall.
- 4** Replace screws.



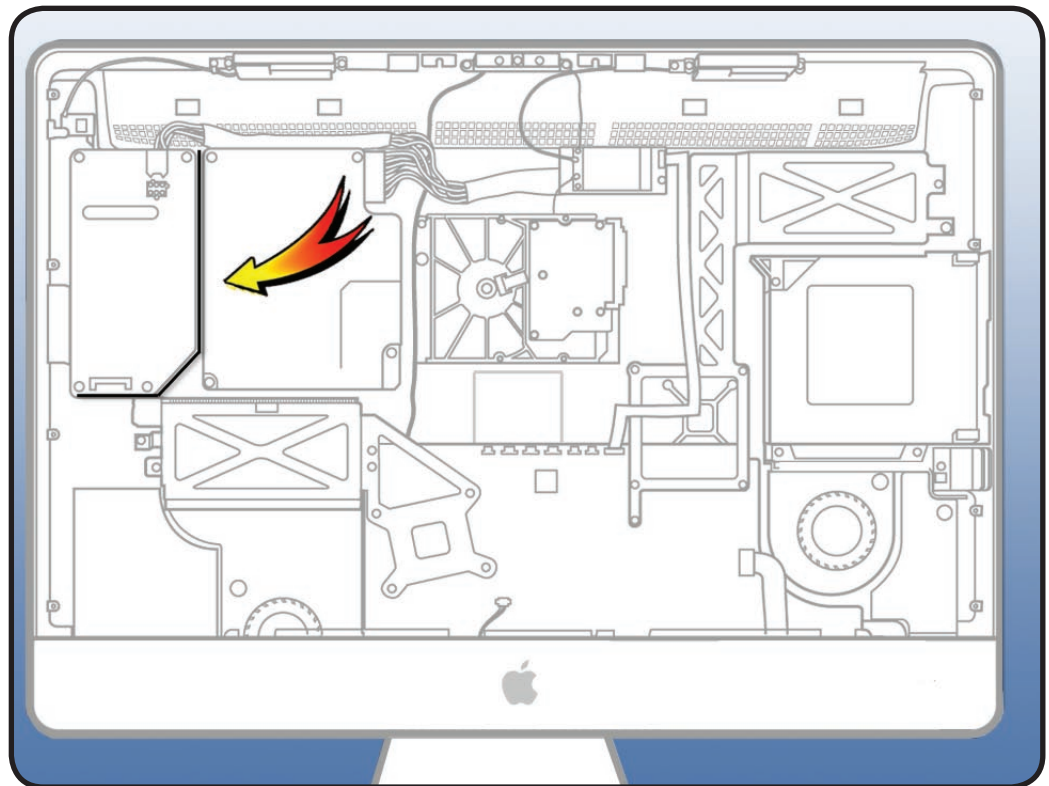


Backlight Pressure Wall

First Steps

Remove

- Glass panel
- LCD panel
- Power supply



Tools

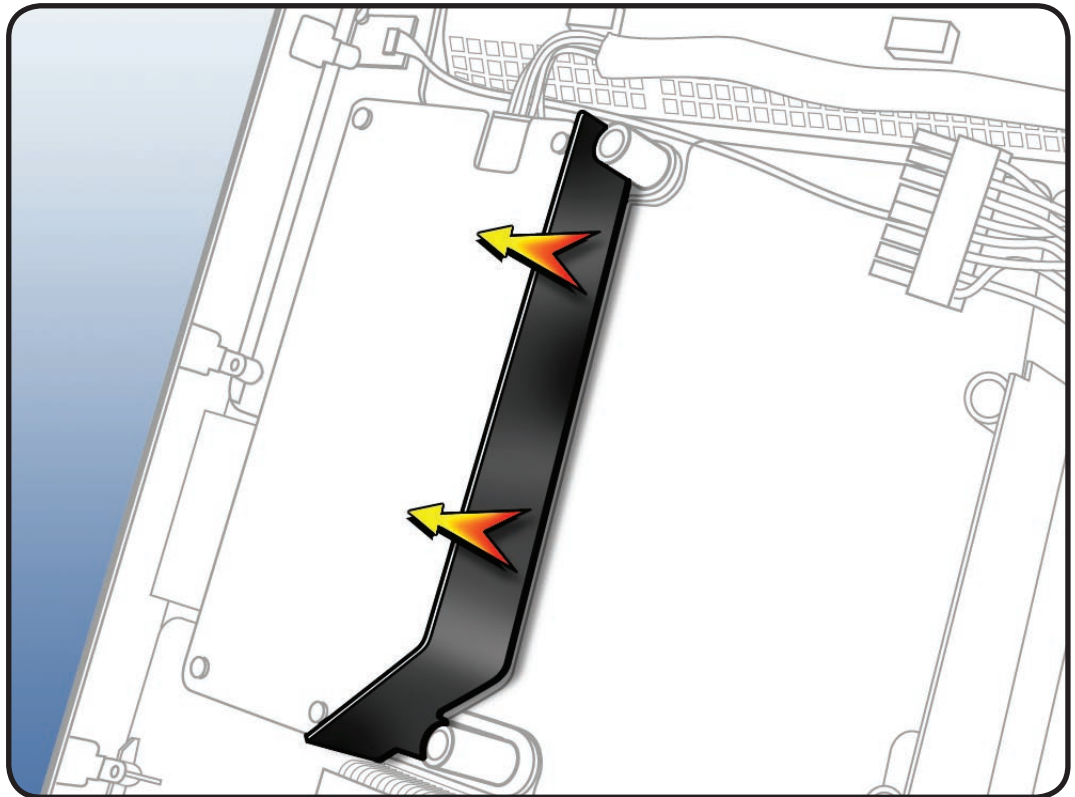
- ESD mat and wrist strap





Removal

- 1 Lift pressure wall off posts in the rear housing.



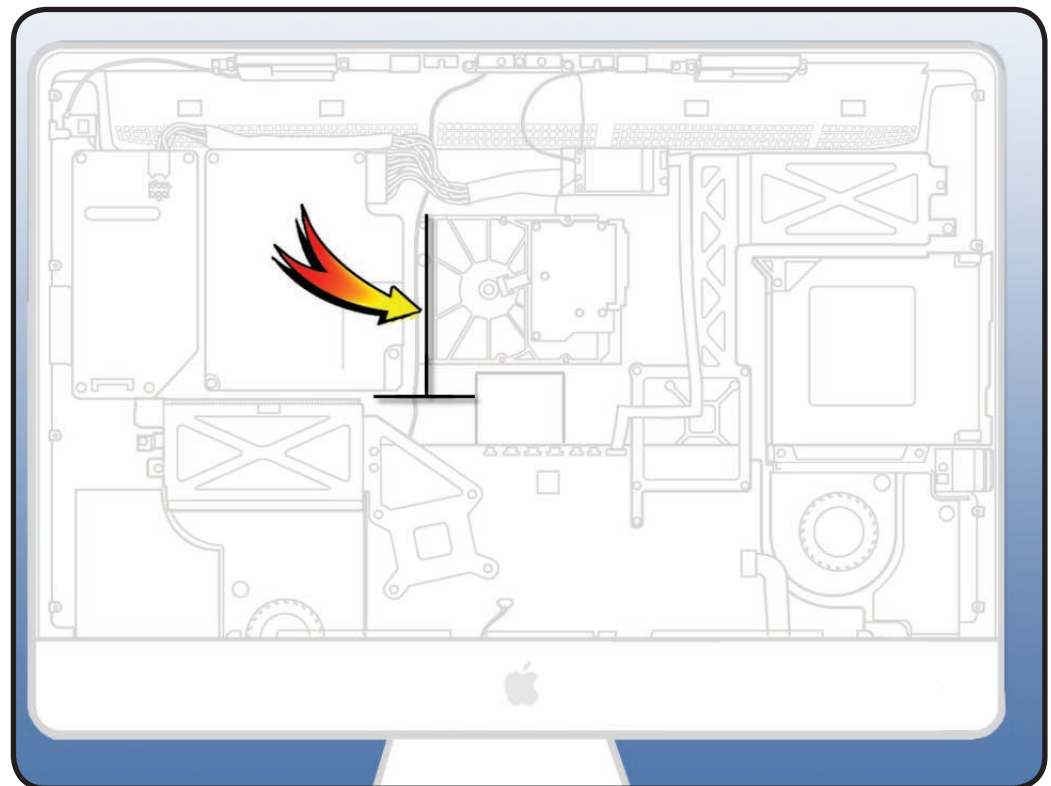


Power Supply/Hard drive Pressure Wall

First Steps

Remove

- Glass panel
- LCD panel
- Power supply



Tools

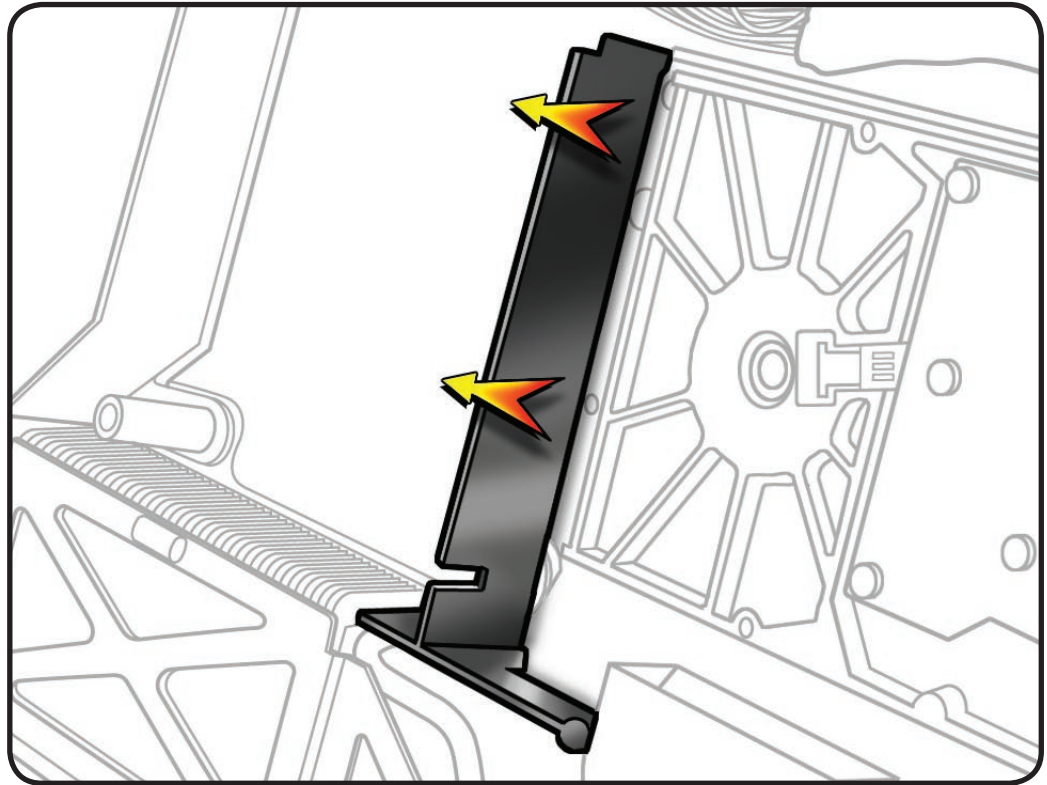
- ESD mat and wrist strap





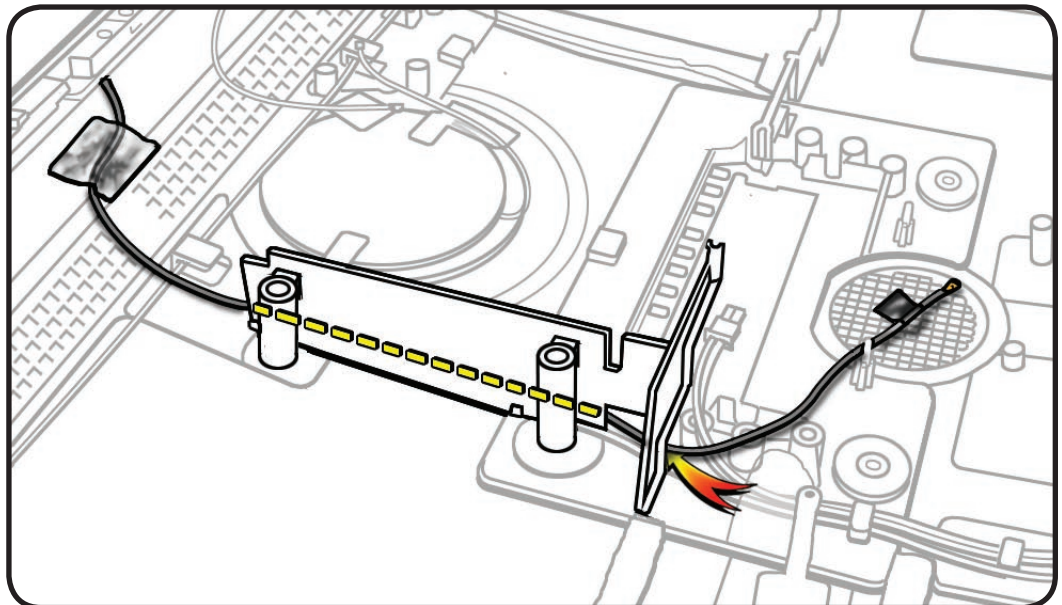
Removal

Lift pressure wall off posts in the rear housing.



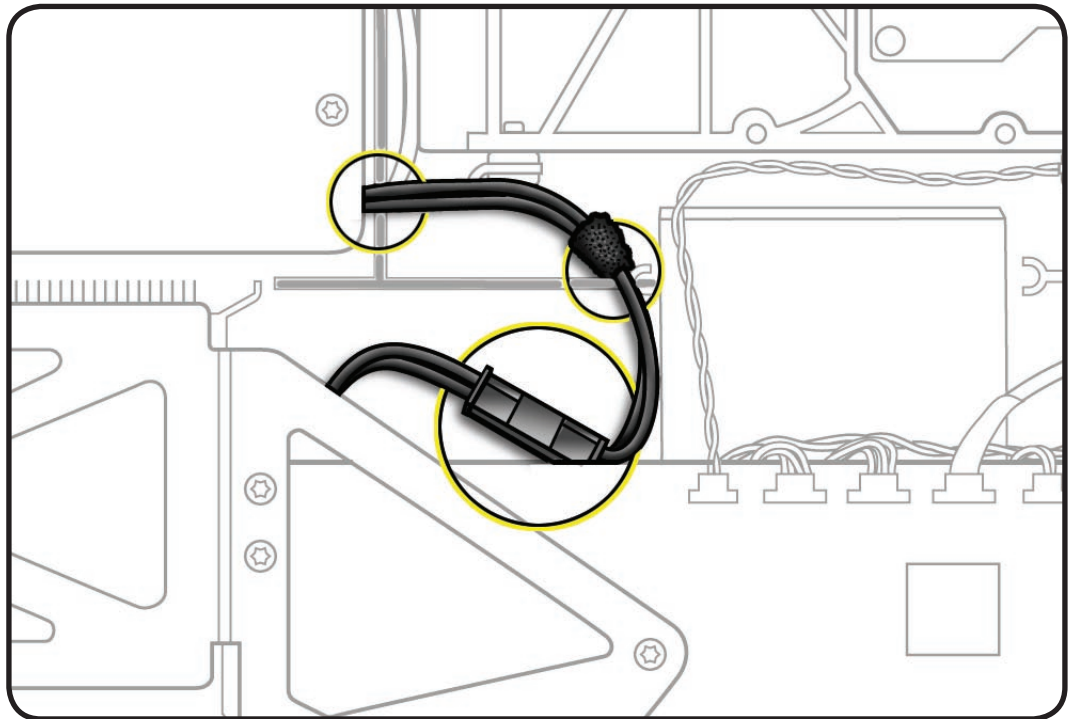
Reassembly

- 1 Note:** Make sure the camera and AC power cables are routed correctly around the pressure wall.
- 2** The camera cable runs along the right side of the pressure wall, next to hard drive, and through bottom notch in pressure wall.





- 3 Connect AC inlet cable and then press cable into notches on top of the pressure wall.



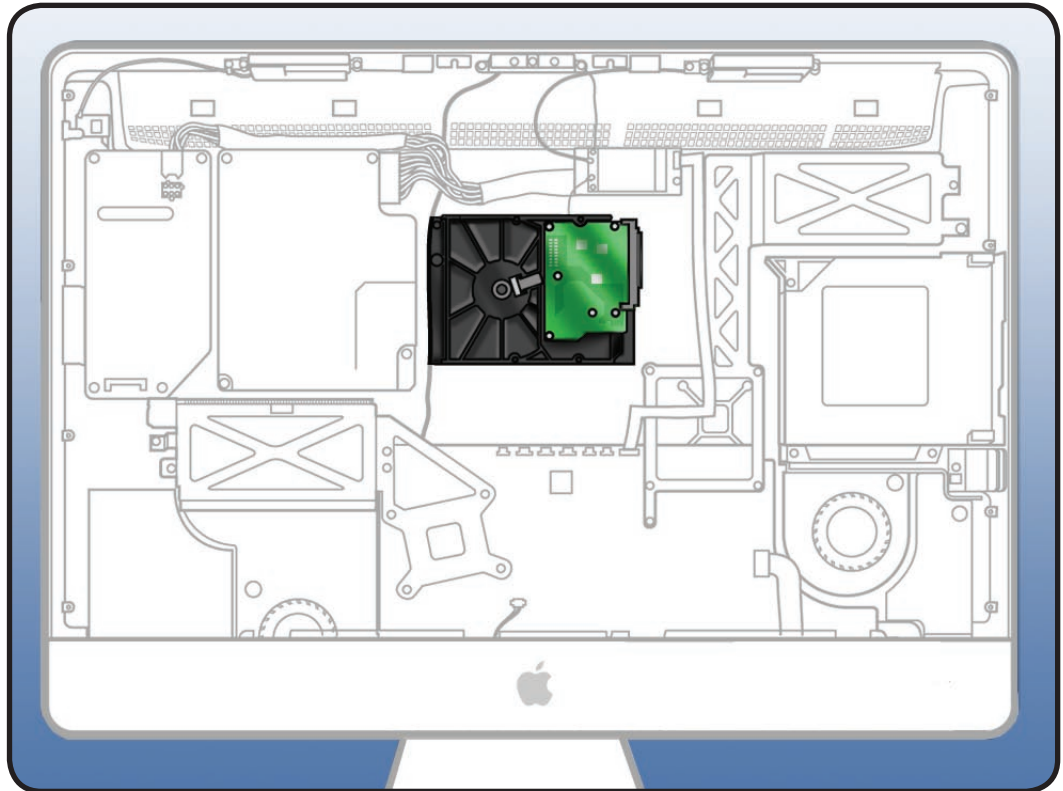


Hard Drive

First Steps

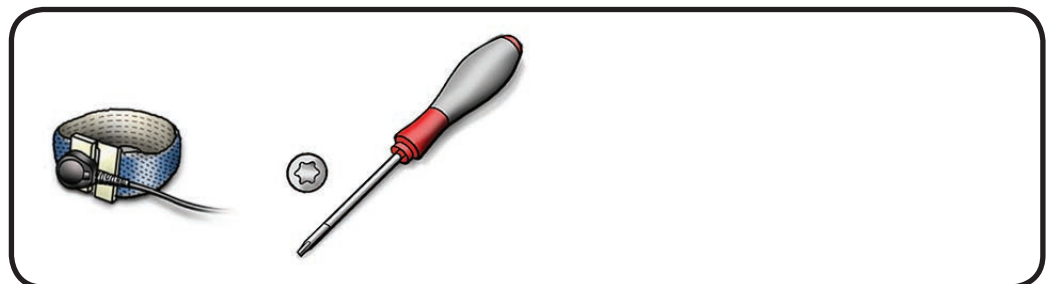
Remove

- Glass panel
- LCD panel



Tools

- Magnetized Torx T10 screwdriver
- ESD-wrist strap and mat





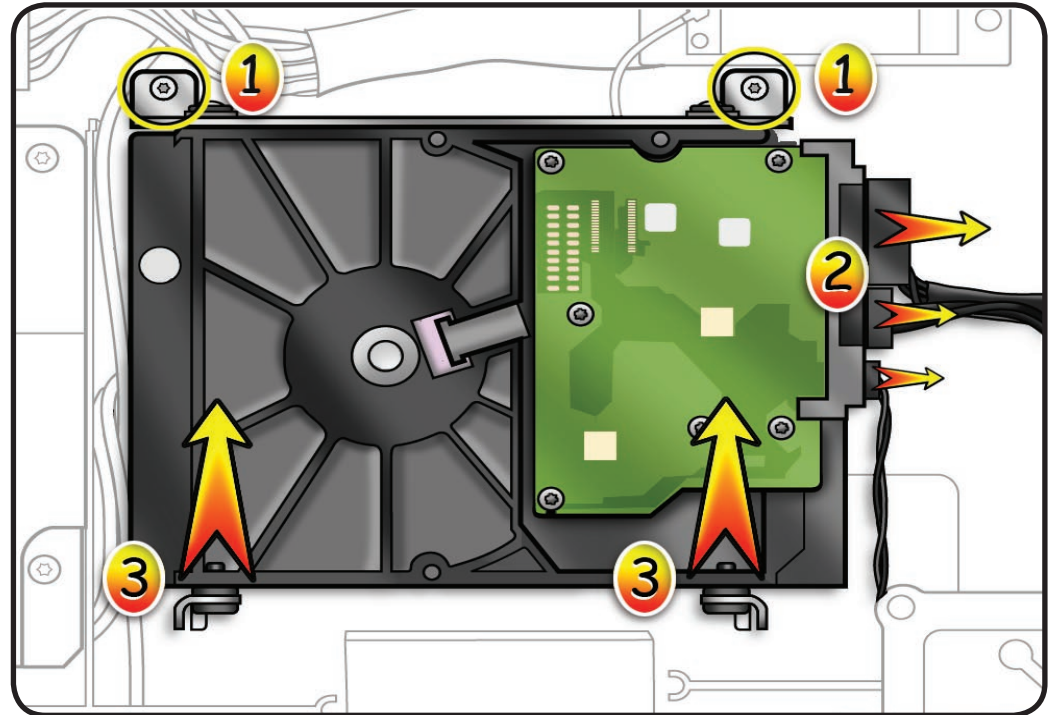
Removal

- 1 Remove 2 T10 screws from mounting bracket:
 - 922-6850



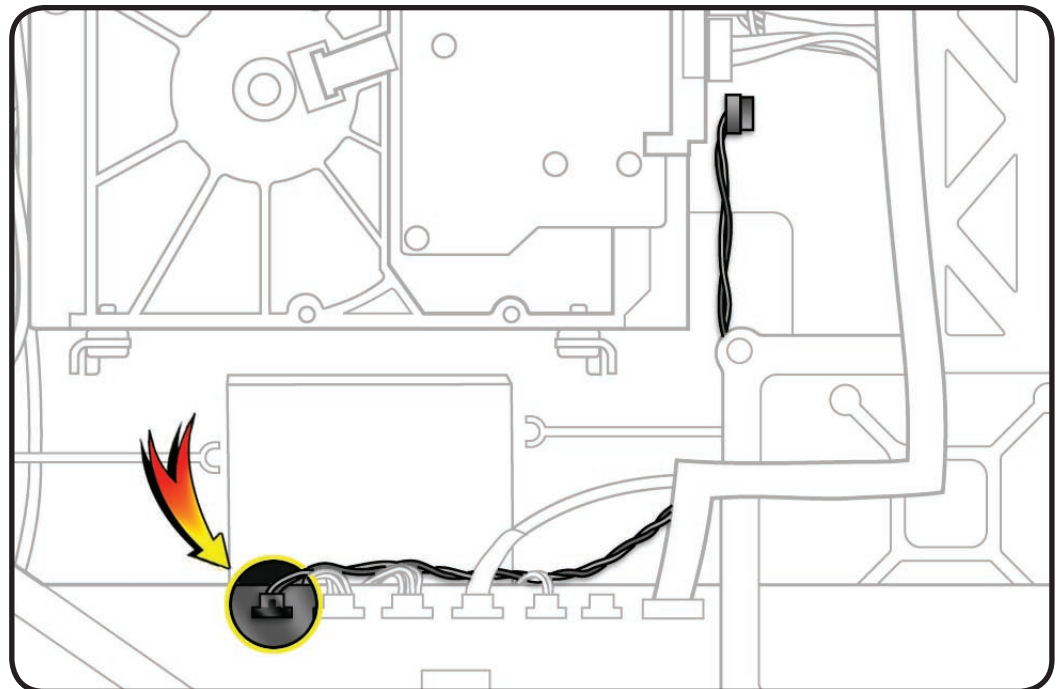
- 2 Disconnect 3 cables:
 - HD power cable
 - HD data cable
 - HD temp sensor

- 3 Slide hard drive up slightly to lift mounting pins out of 2 rubber grommets



- 4 **Replacement Note:**
If installing a replacement hard drive, disconnect hard drive sensor cable from top of logic board. Do not reuse the temp sensor cable. Each drive vendor includes a sensor cable with their replacement drive.

Refer to the “Reassembly” section for information on installing the Western Digital sensor cable.





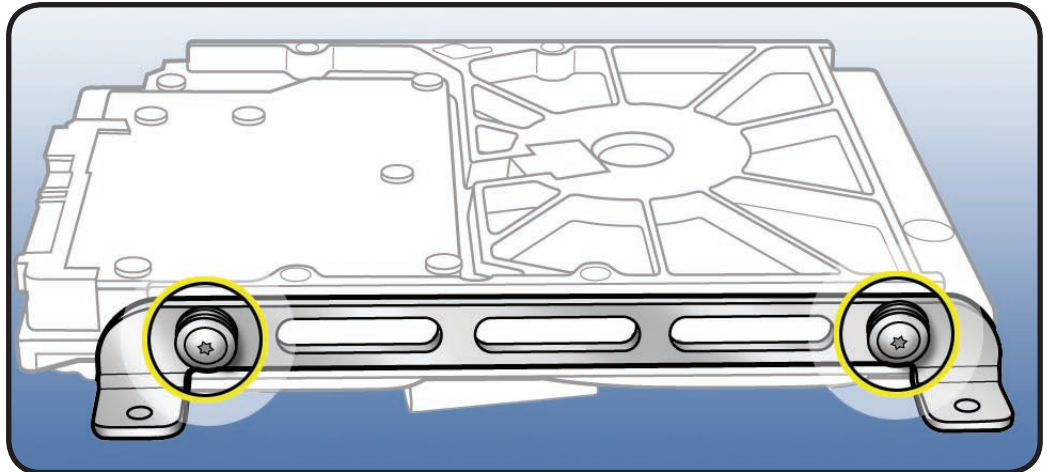
Reassembly

1 If you are installing a replacement hard drive, transfer the following:

- hard drive bracket
- 2 bracket screws 922-9136



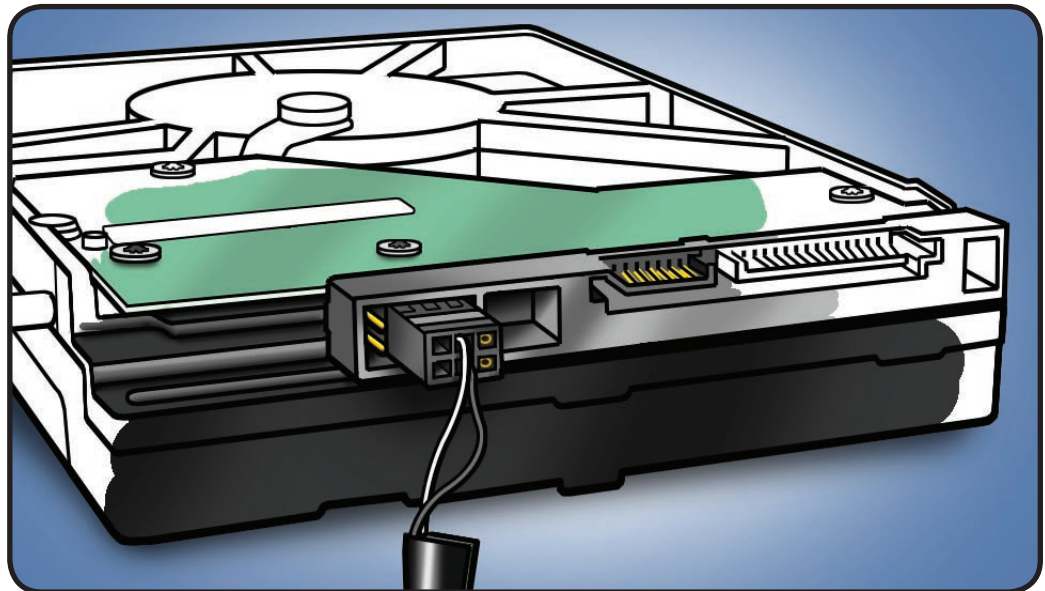
- 2 screw pins 922-7001



2 **Note:** Each hard drive vendor has a unique sensor cable. Do not mix and match temp sensor cables.

3 **Important:** If you install a Western Digital drive, do the following:

- orient drive with circuit board facing up (as shown)
- connect temp sensor cable to hard drive pins as shown, leaving 2 left pins unconnected



If sensor cable is installed incorrectly, hard drive fan will run at full speed.

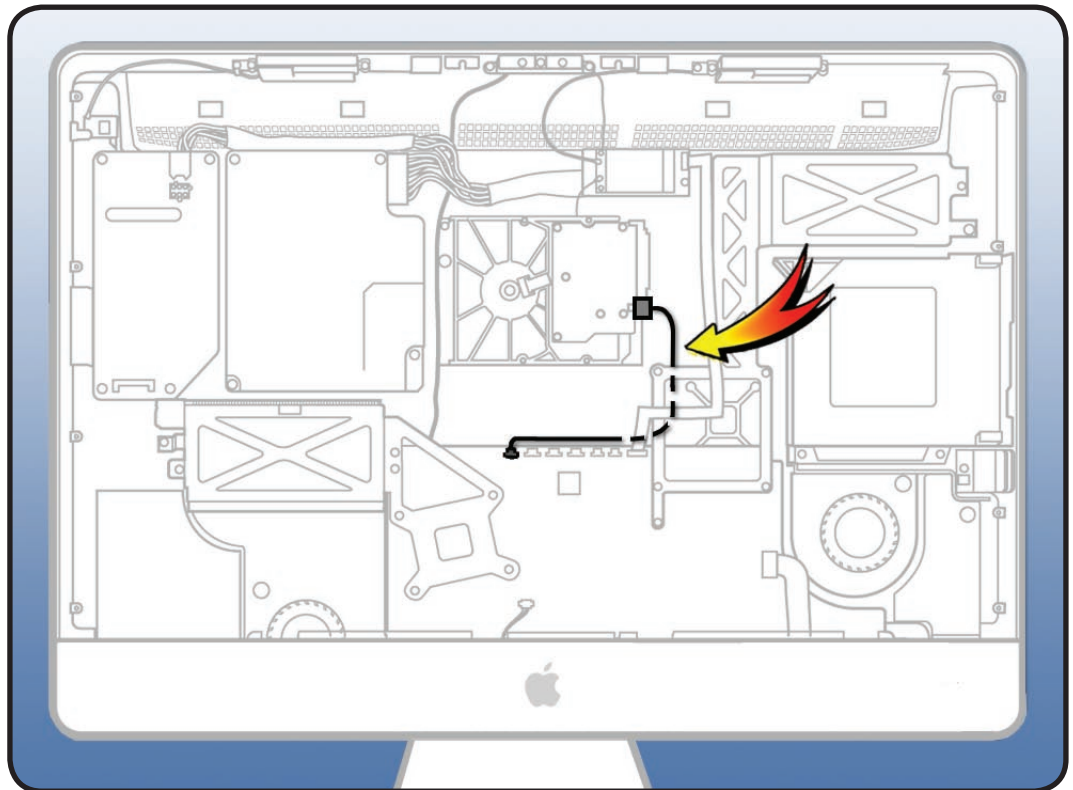


Hard Drive Sensor Cable

First Steps

Remove

- Glass panel
- LCD panel
- Hard drive



Tools

- ESD-wrist strap and mat



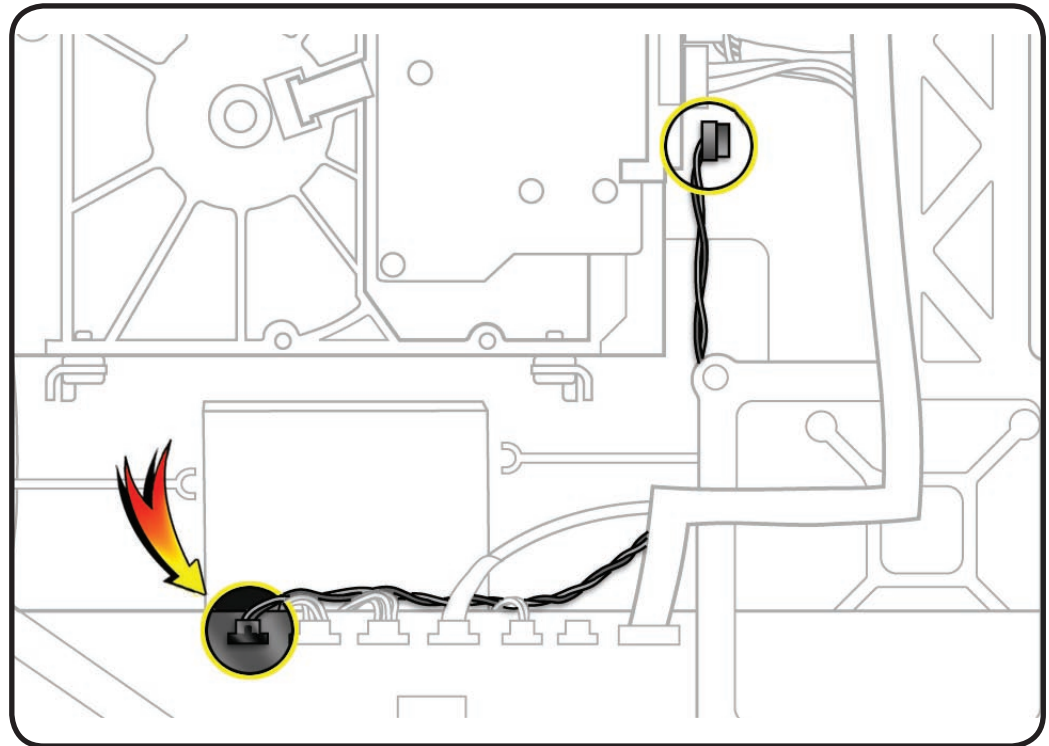


Removal

- 1 Disconnect hard drive sensor cable from top of top of logic board and from side of hard drive.

Note: Do not reuse temp sensor cable. A new sensor cable is included with each replacement drive.

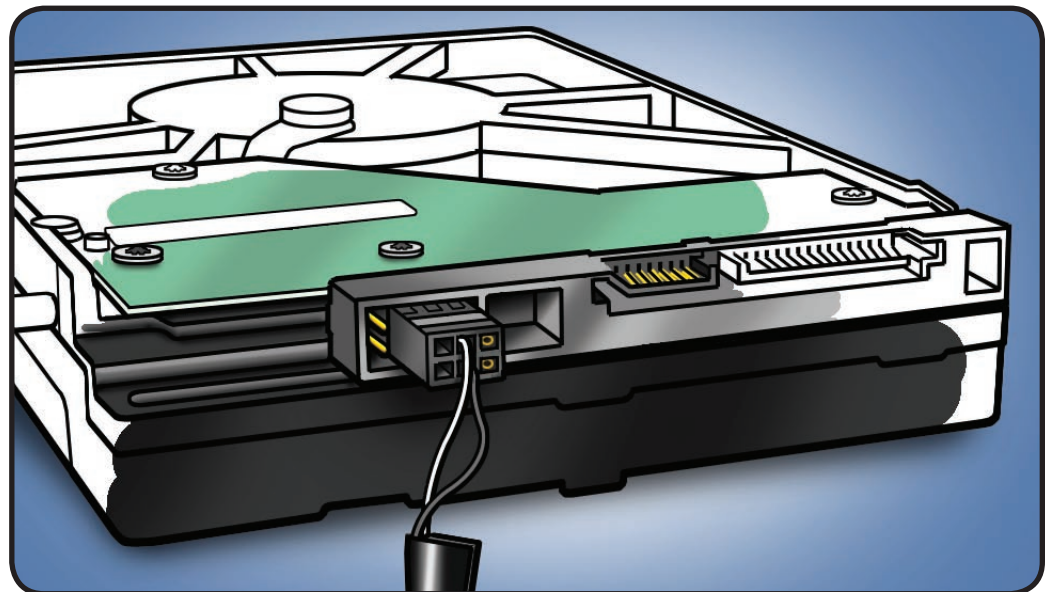
Each hard drive manufacturer has a unique sensor cable.



Reassembly

- 1 **Important:** If you install a Western Digital drive, do the following:
 - orient drive with circuit board facing up (as shown)
 - connect temp sensor cable to hard drive pins as shown, leaving 2 left pins unconnected

If sensor cable is installed incorrectly, hard drive fan will run at full speed.





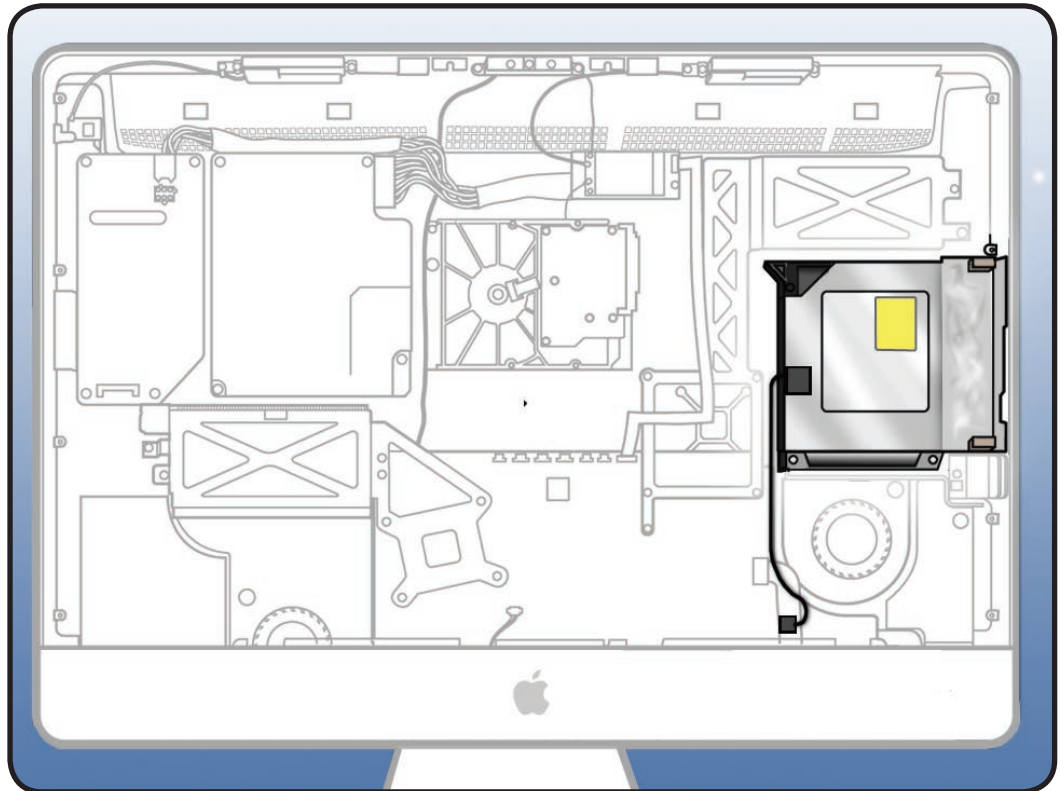
Optical Drive

First Steps

Remove

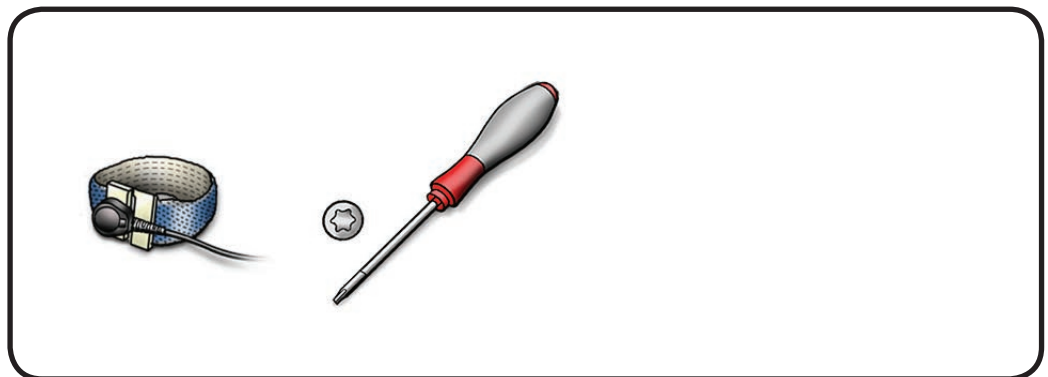
- Glass panel
- LCD panel

Important: When servicing the optical drive, handle it by the edges only. Pressing elsewhere on the drive could damage the internal mechanism.



Tools

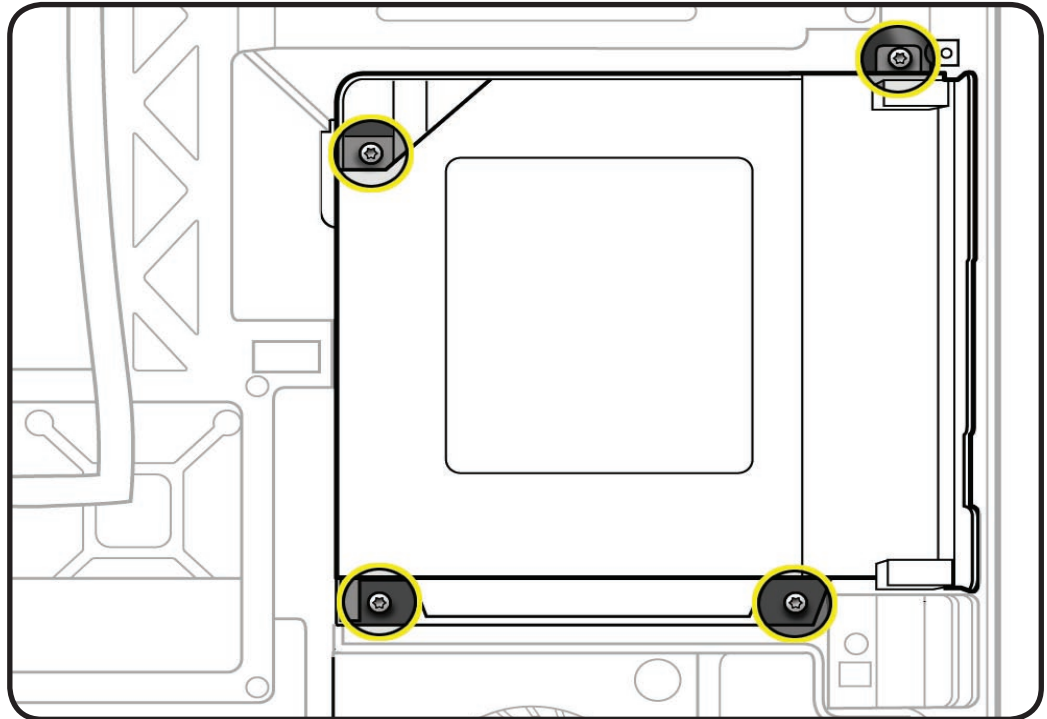
- Torx T10 screwdriver
- ESD-wrist strap and mat



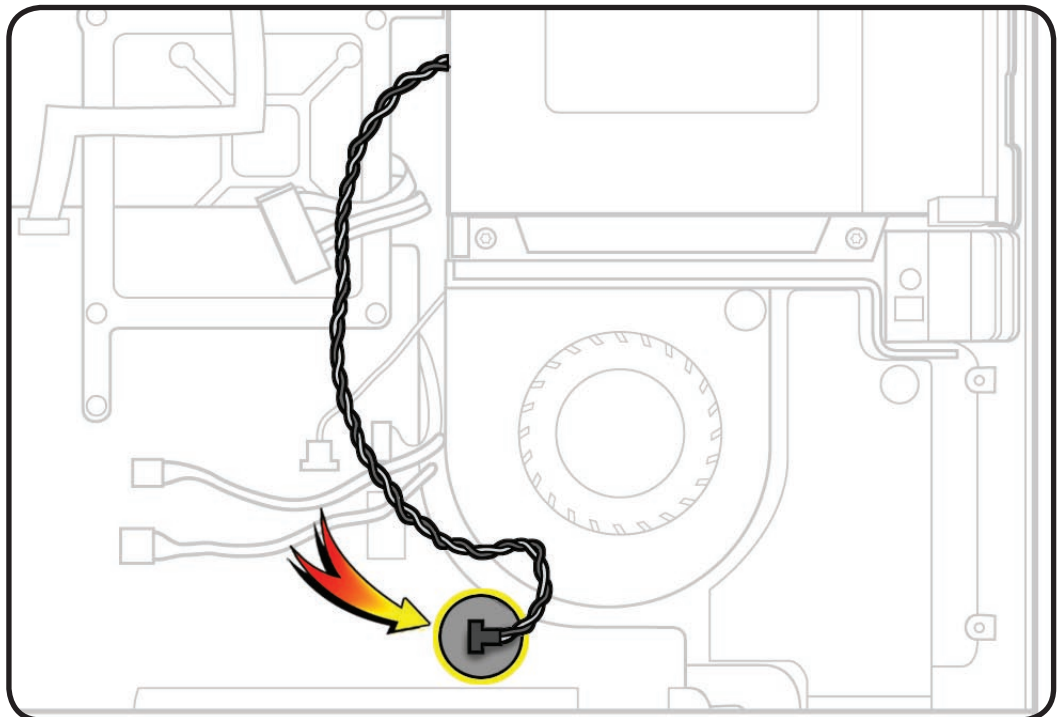


Removal

- 1 Remove 4 T10 screws.
 - 922-6850



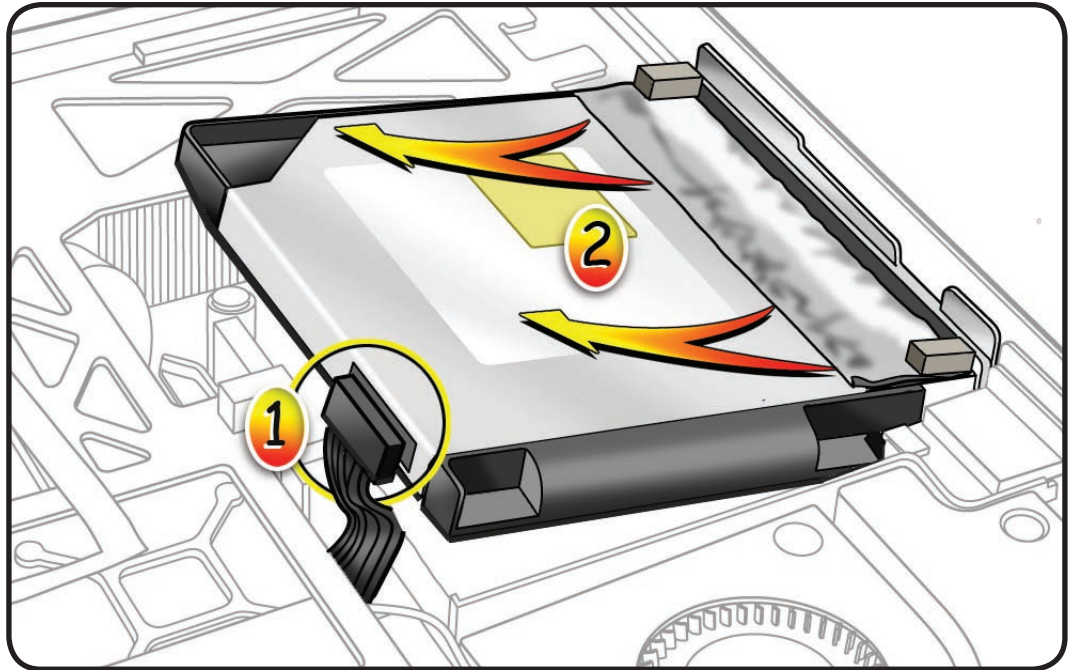
- 2 Disconnect optical sensor cable from connector on logic board.





- 3** Lift optical drive slightly and wiggle optical drive cable off optical drive. A black stick may be helpful.

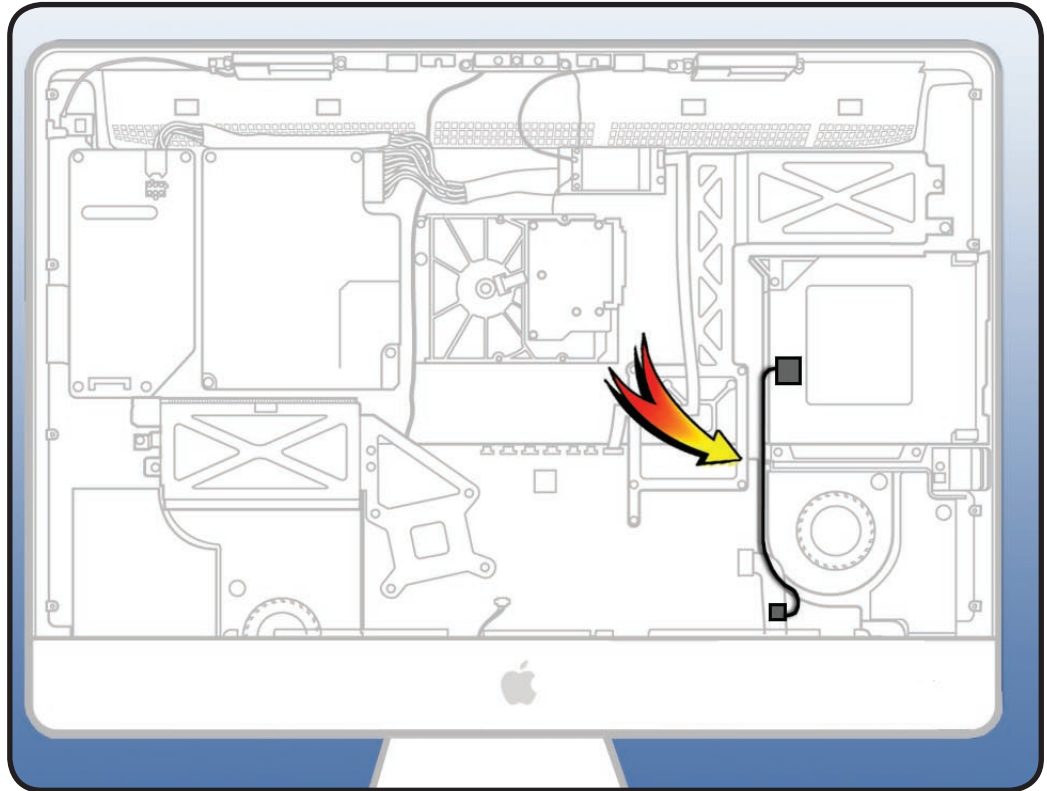
Pull optical away from slot opening in housing.





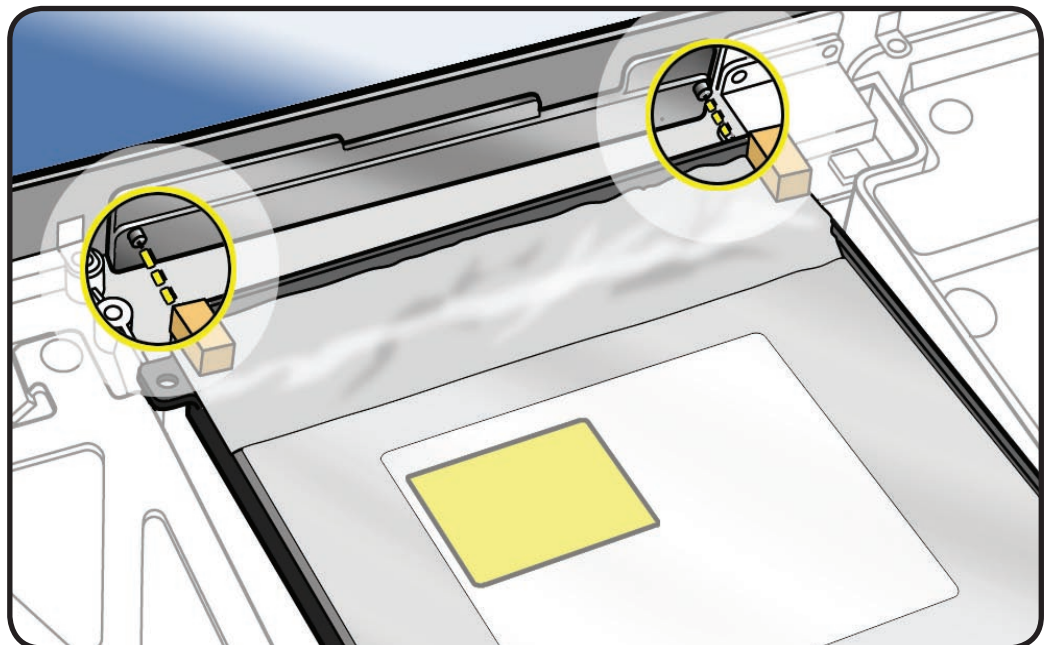
Reassembly

- 1 If installing a replacement optical drive, a temp sensor/ cable is included with each replacement optical drive.



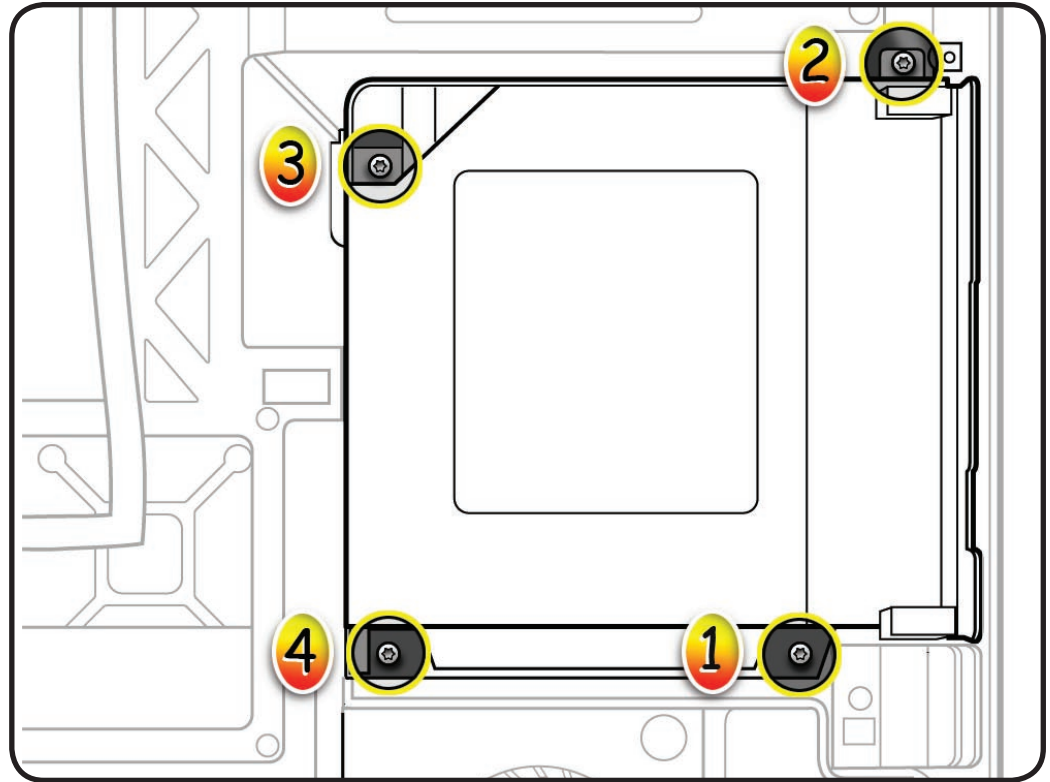
- 2 Install optical drive by aligning pins on bezel with holes on optical drive.

Check the felt on the optical drive opening. Damaged or wrinkled felt across the opening could impair installation.





- 3** Replace screws in order shown.





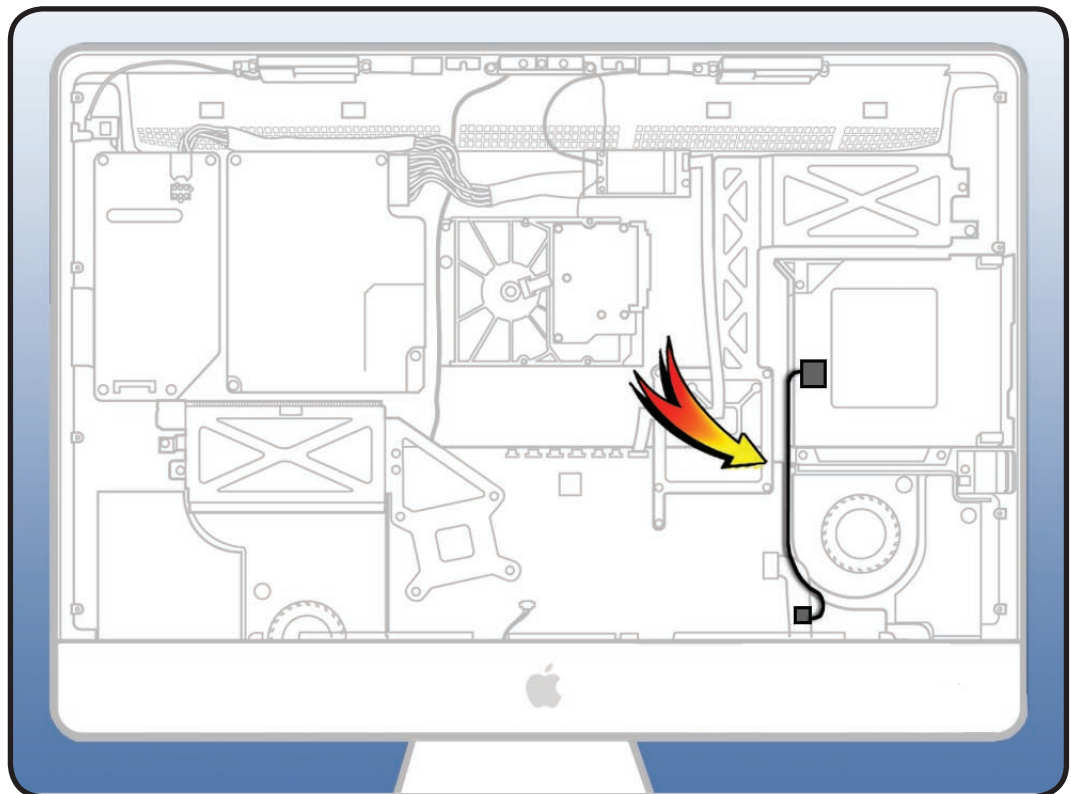
Optical Sensor Cable

First Steps

Remove

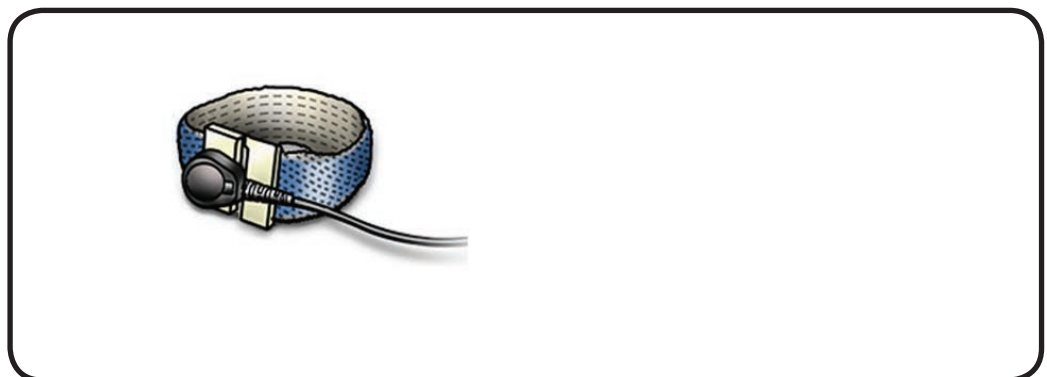
- Glass panel
- LCD panel
- Optical drive

Important: When servicing the optical drive, handle it by the edges only. Pressing elsewhere on the drive could damage the internal mechanism.



Tools

- ESD-wrist strap and mat

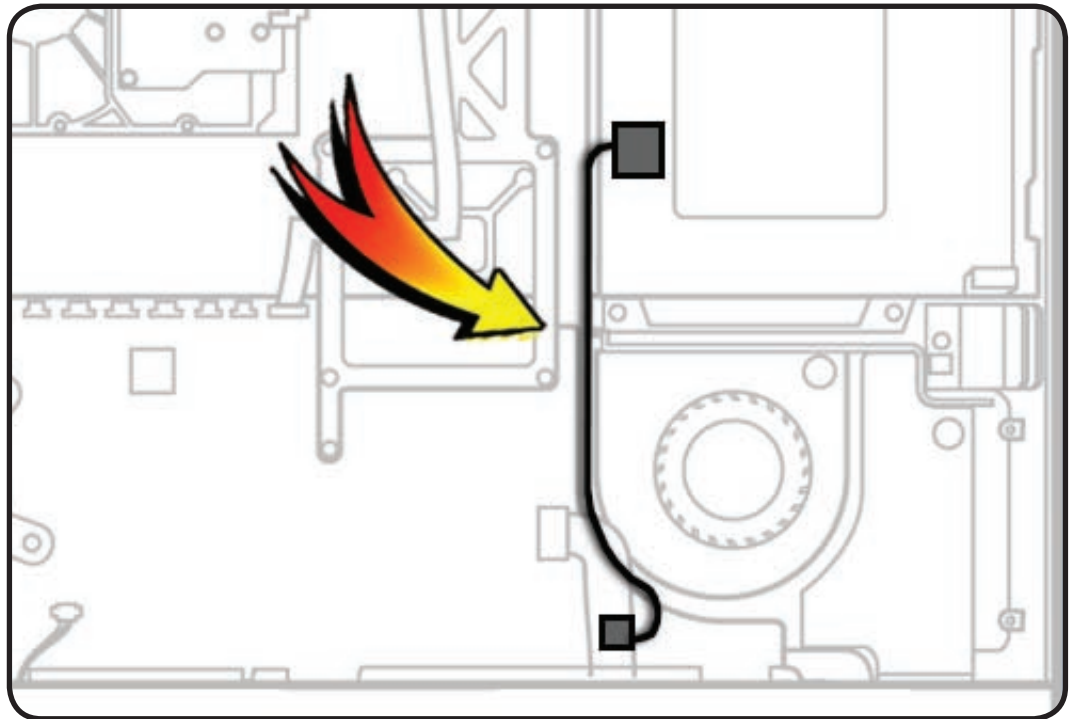




Removal

- 1 Disconnect optical sensor cable from logic board.
- 2 Peel up foam gasket to release sensor end of cable.

Replacement Note:
The optical sensor cable is included with replacement optical drive.



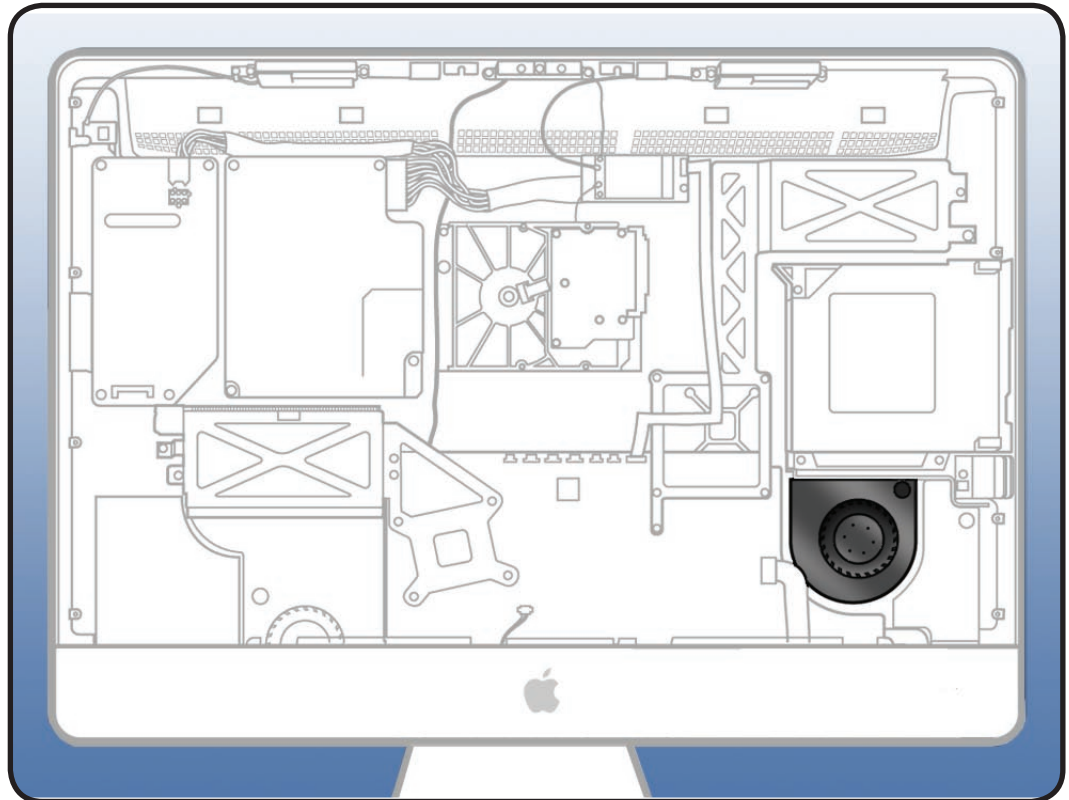


Optical Drive Fan

First Steps

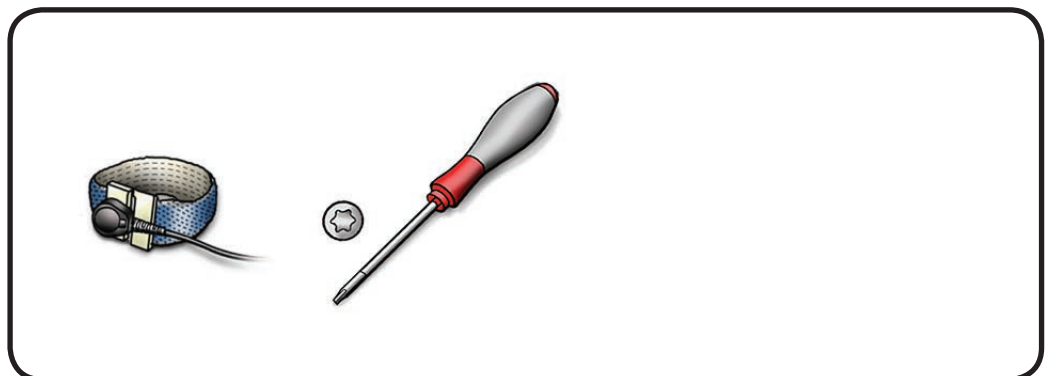
Remove

- Glass panel
- LCD panel
- Optical drive



Tools

- Torx T10 screwdriver
- ESD-wrist strap and mat



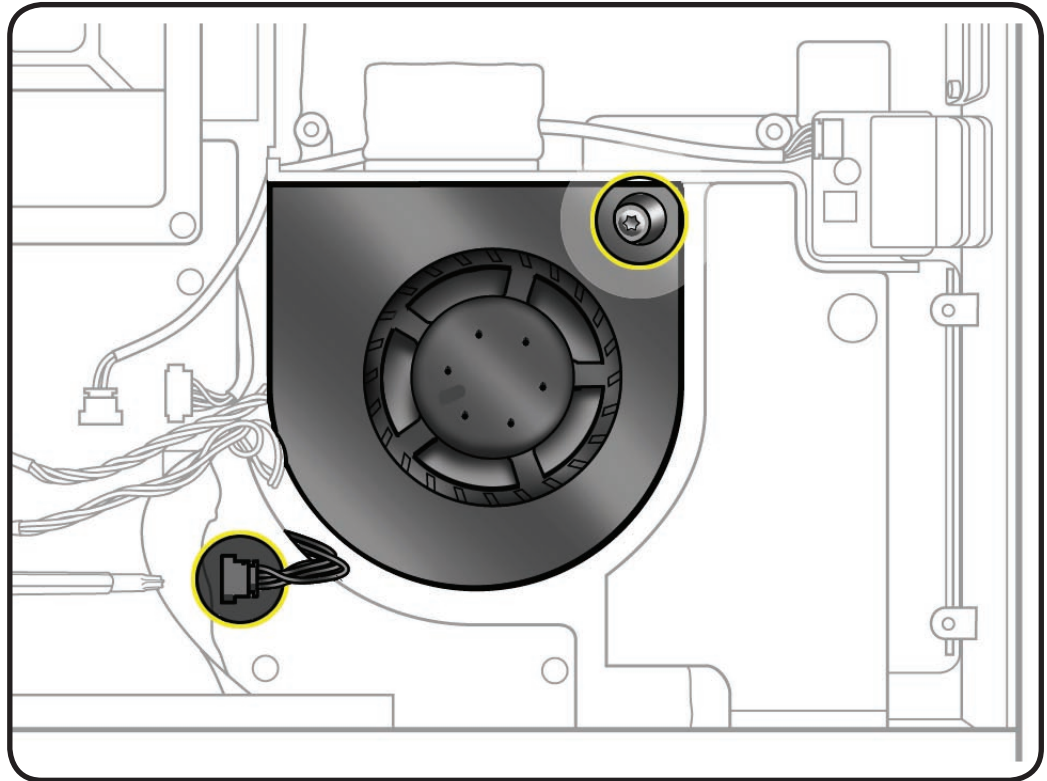


Removal

- 1 Remove 1 T10 screw.
 - 922-9236



- 2 Disconnect fan cable from logic board.
- 3 Lift fan off 2 guide posts in rear housing.



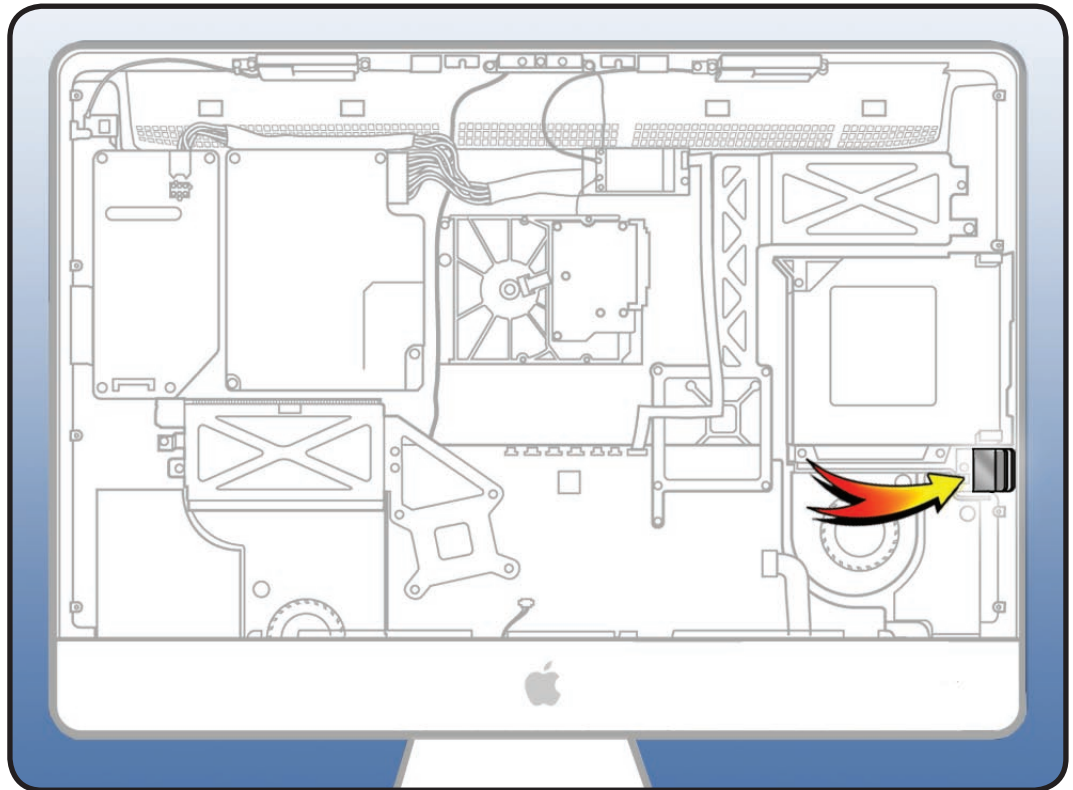


SD Board

First Steps

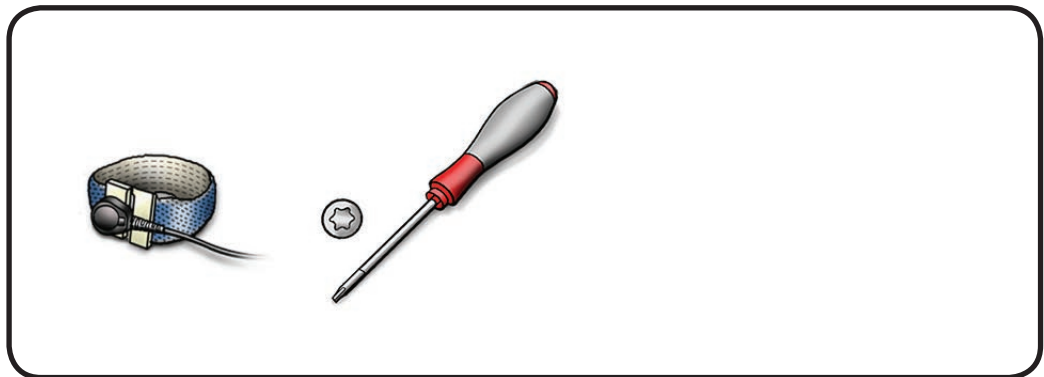
Remove

- Glass panel
- LCD panel



Tools

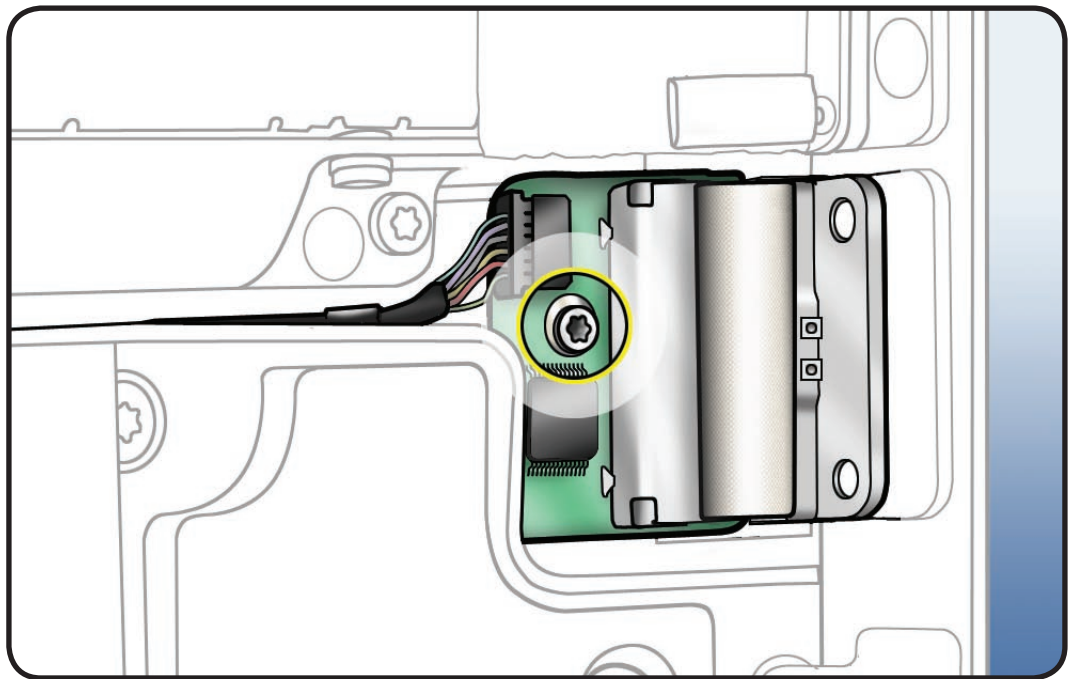
- Torx T8 screwdriver
- ESD-wrist strap and mat



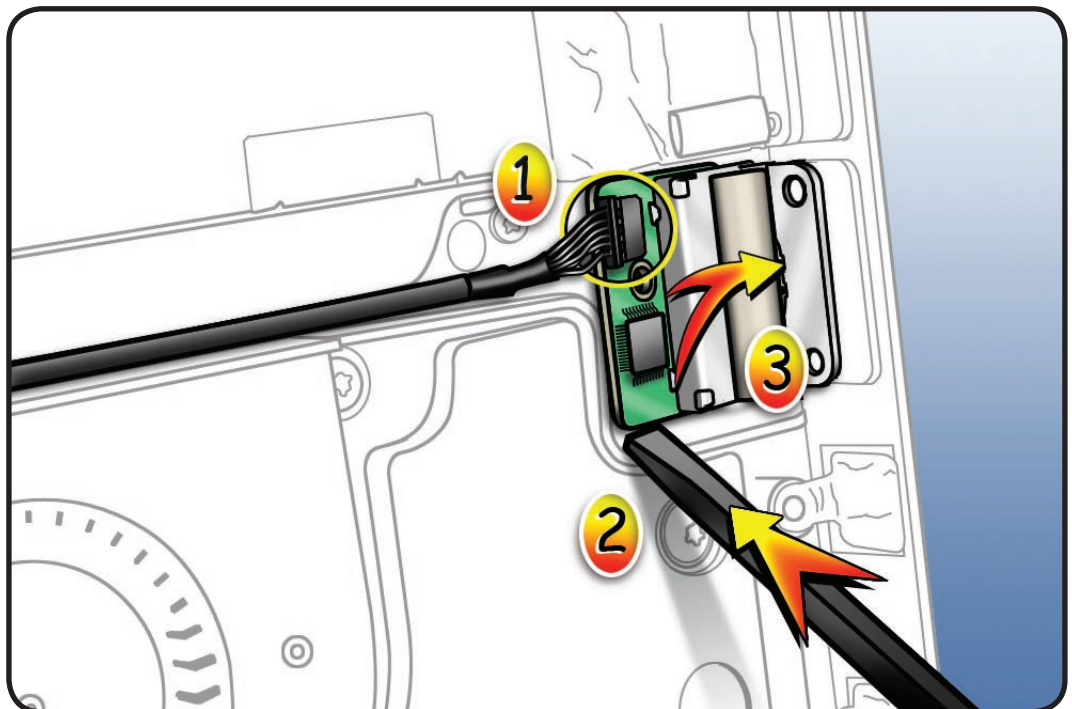


Removal

- 1 Remove 1 T8 screw:
 - 922-9241



- 2 Disconnect SD cable from card, pry card up, and lift out of rear housing.



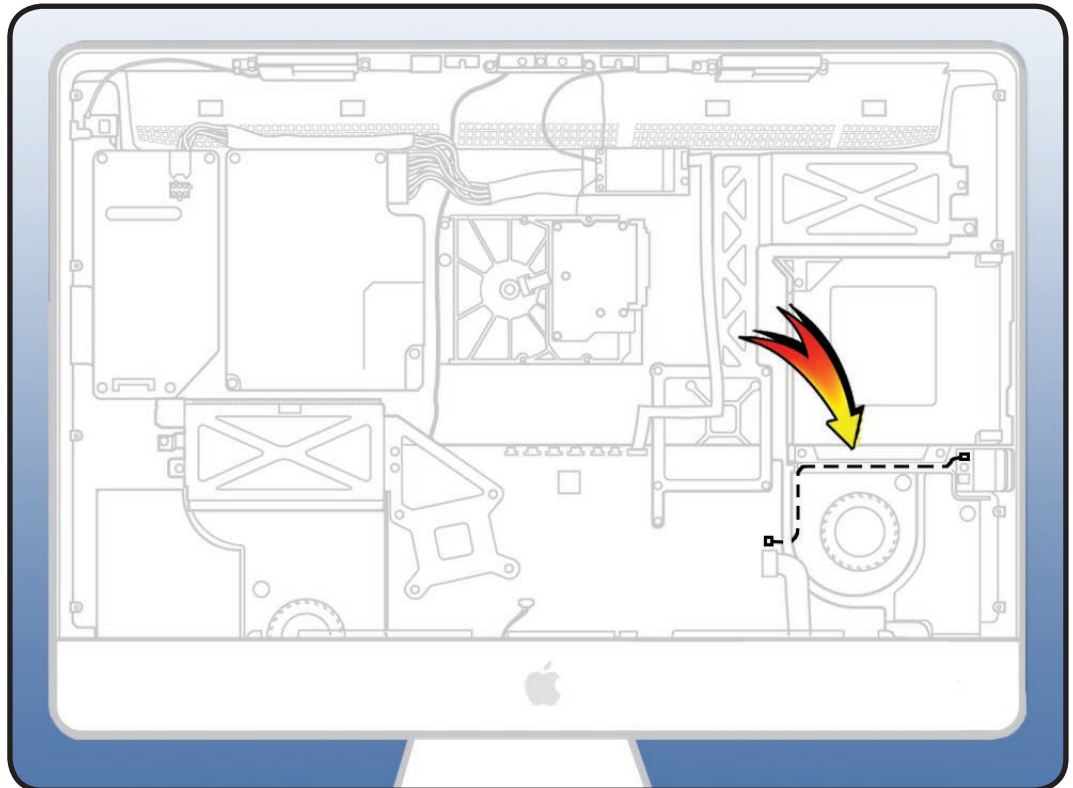


SD Card Cable

First Steps

Remove

- Glass panel
- LCD panel
- Optical drive
- Optical drive fan



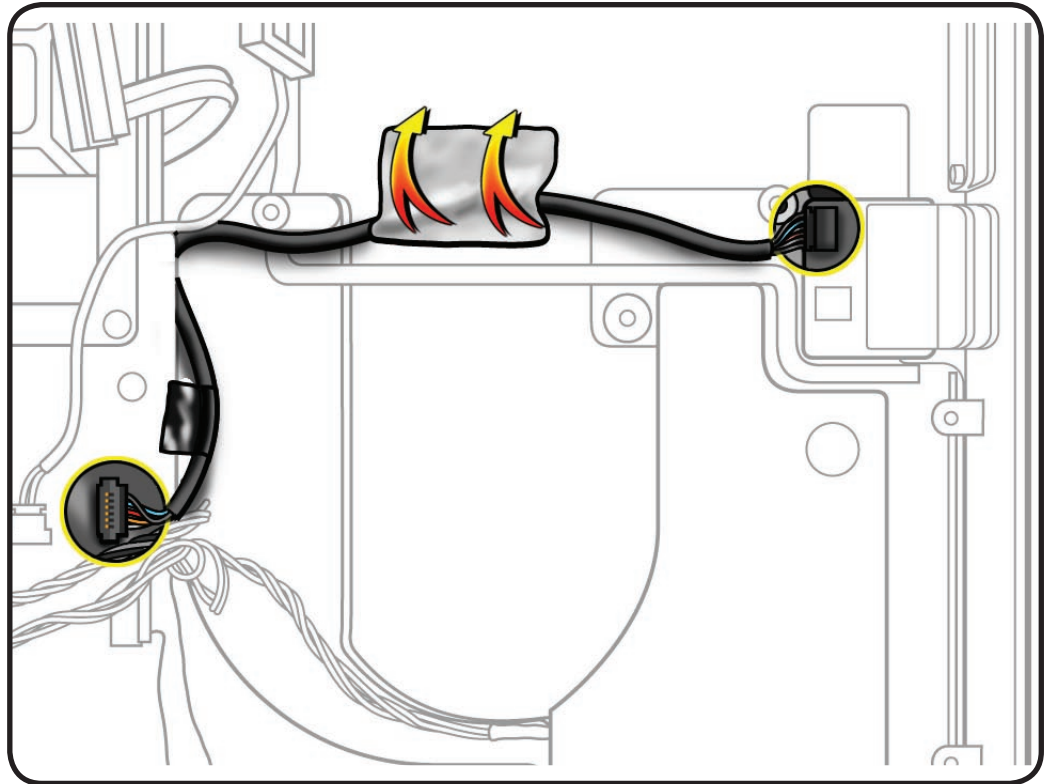
Tools

- ESD-wrist strap and mat





- 1 Peel back EMI tape that covers the exposed portion of the SD cable.
- 2 Disconnect cable from SD board and logic board.



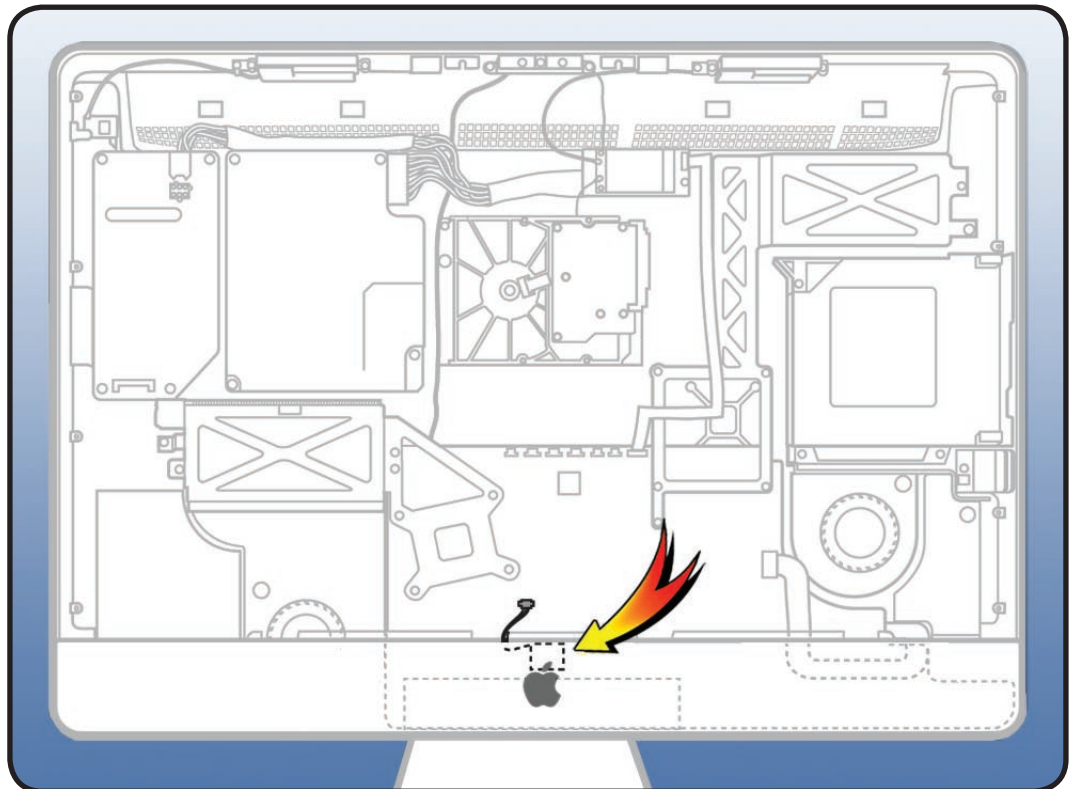


IR Board

First Steps

Remove

- Glass panel
- LCD panel



Tools

- ESD-wrist strap and mat



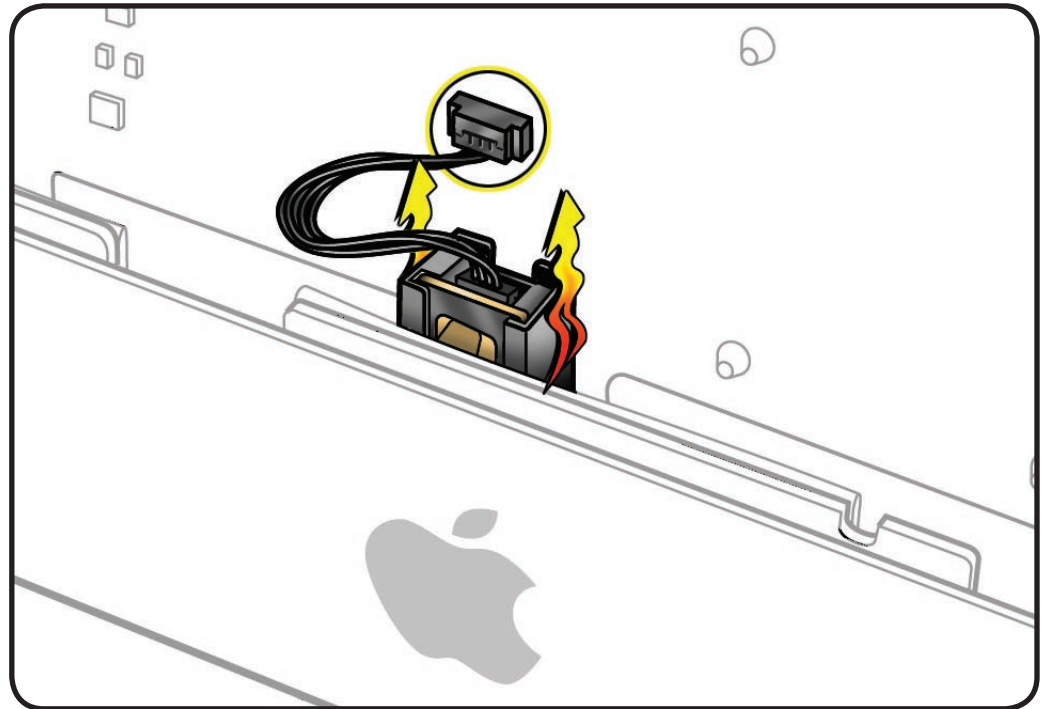


Removal

- 1 Disconnect IR cable from logic board. Pull cable straight down to release. **Note:** The cable is part of the IR assembly.
- 2 With two fingers, wiggle IR mounting bracket up and off mounting post.

Replacement Note:

With your finger, pull front housing out a bit to slide IR mounting bracket onto IR mounting post.





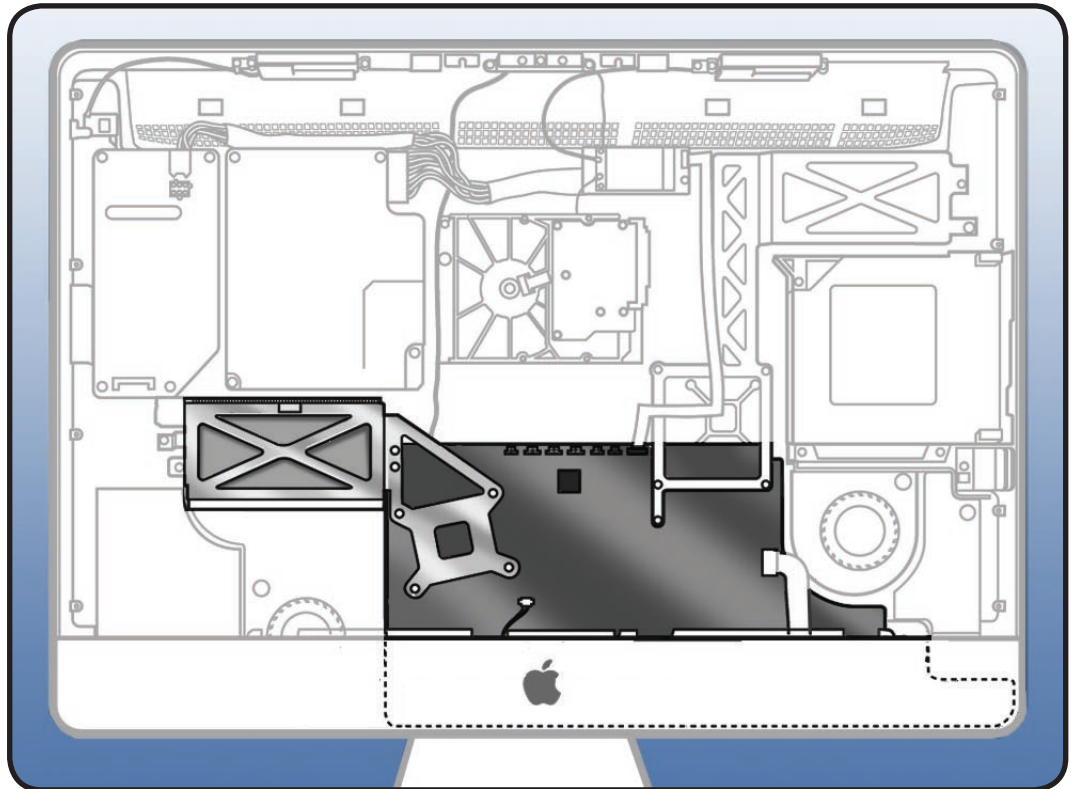
Logic Board

First Steps

Remove

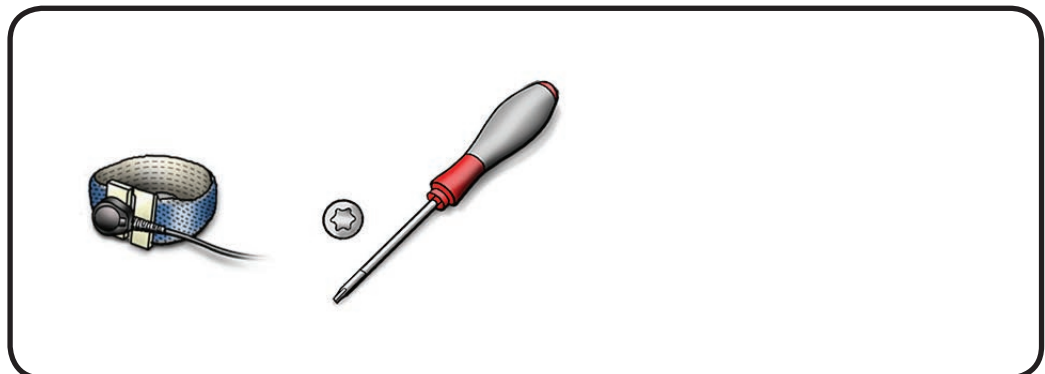
- Glass panel
- LCD panel
- Optical drive
- Optical fan
- Power supply
- IR board

Note: The iMac (27-inch, Quad-Core, Late 2009) logic board has an additional cable connection to the logic board, otherwise the take apart procedure is similar.



Tools

- Torx T10 screwdriver
- ESD-wrist strap and mat



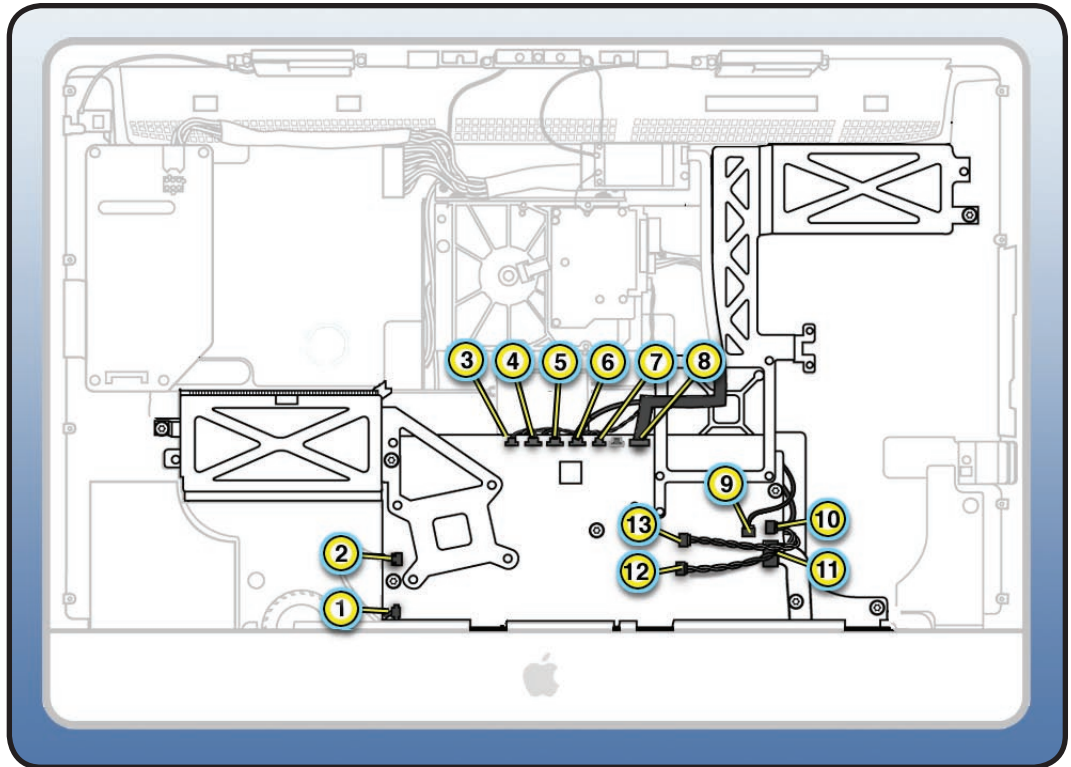


Removal

Note: iMac (27-inch, Late 2009) logic board cables shown: See the next page for iMac (27-inch, Quad Core, Late 2009) logic board cables.

- 1 Carefully disconnect 13 cables from the logic board.

- (1) power button
- (2) CPU fan
- (3) hard drive temp sensor
- (4) hard drive fan
- (5) camera
- (6) Bluetooth
- (7) ambient temp sensor
- (8) AirPort
- (9) microphone
- (10) secure digital (SD)
- (11) audio ports
- (12) right speaker
- (13) left speaker

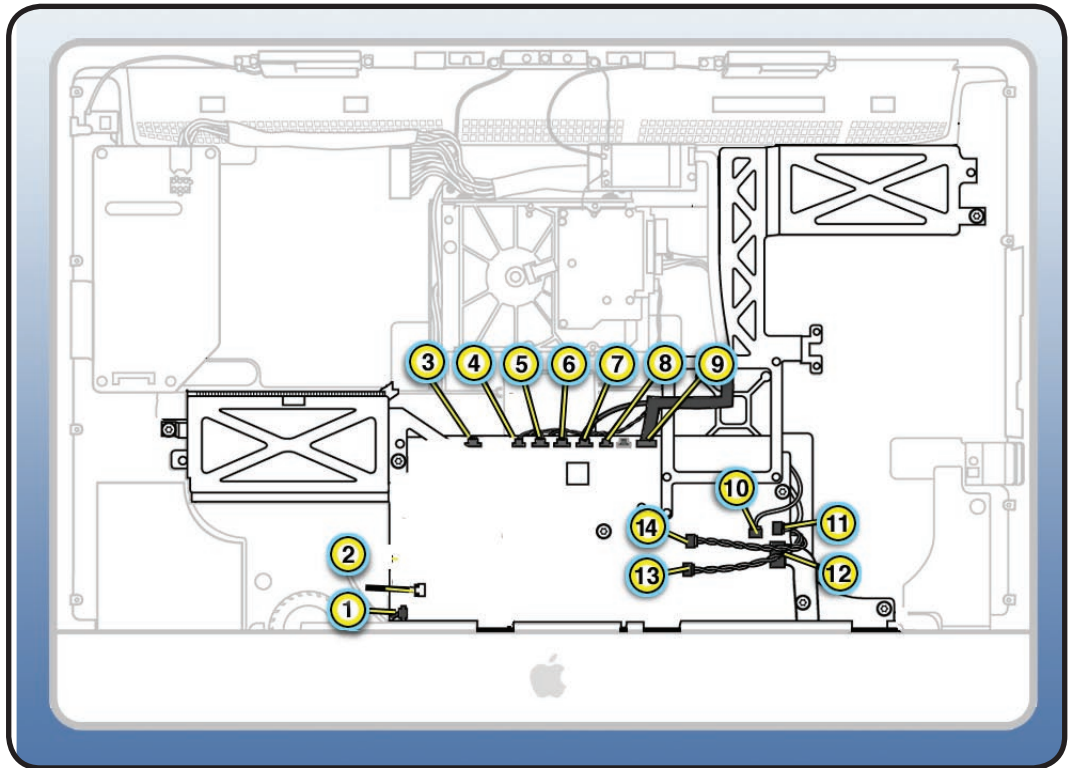




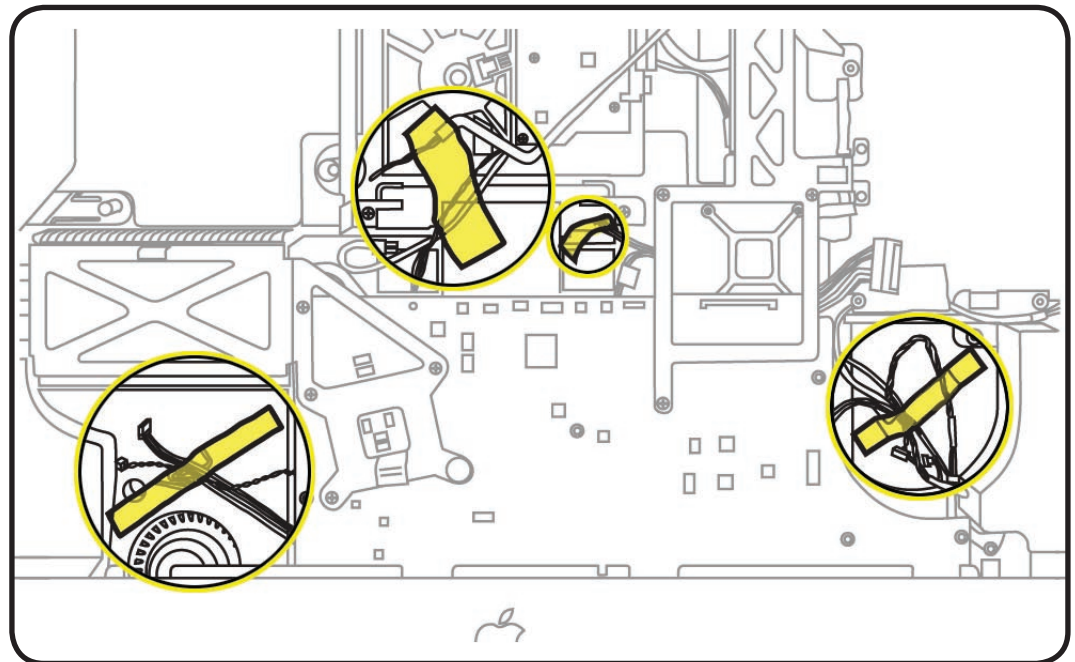
2 iMac (27-inch, Quad-Core, Late 2009):

Carefully disconnect 14 cables from the logic board.

- (1) power button
- (2) CPU fan
- (3) skin temp sensor
- (4) hard drive temp sensor
- (5) hard drive fan
- (6) camera
- (7) Bluetooth
- (8) ambient temp sensor
- (9) AirPort
- (10) microphone
- (11) secure digital (SD)
- (12) audio ports
- (13) right speaker
- (14) left speaker



3 Tape cables out of the way as you disconnect them.





- 4** Remove 8 T10 screws,
2 short (S), 2 medium
(M), 4 long (L)

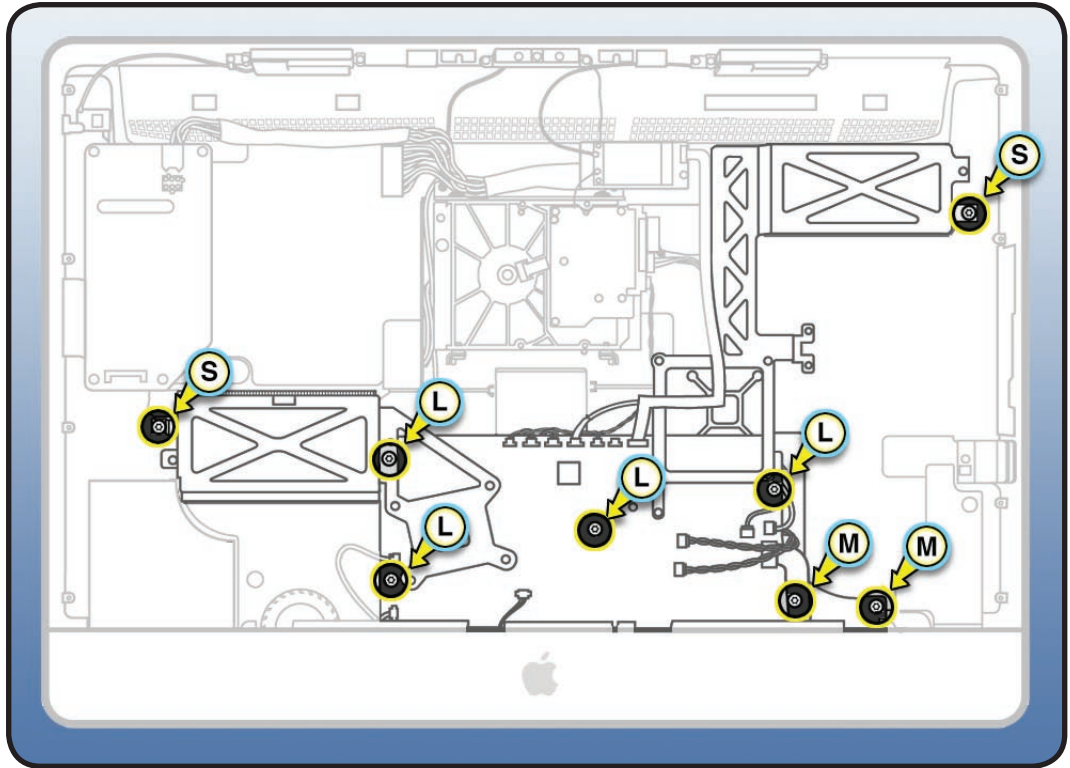
922-6800, (S)



922-9237, medium
20mm (M)

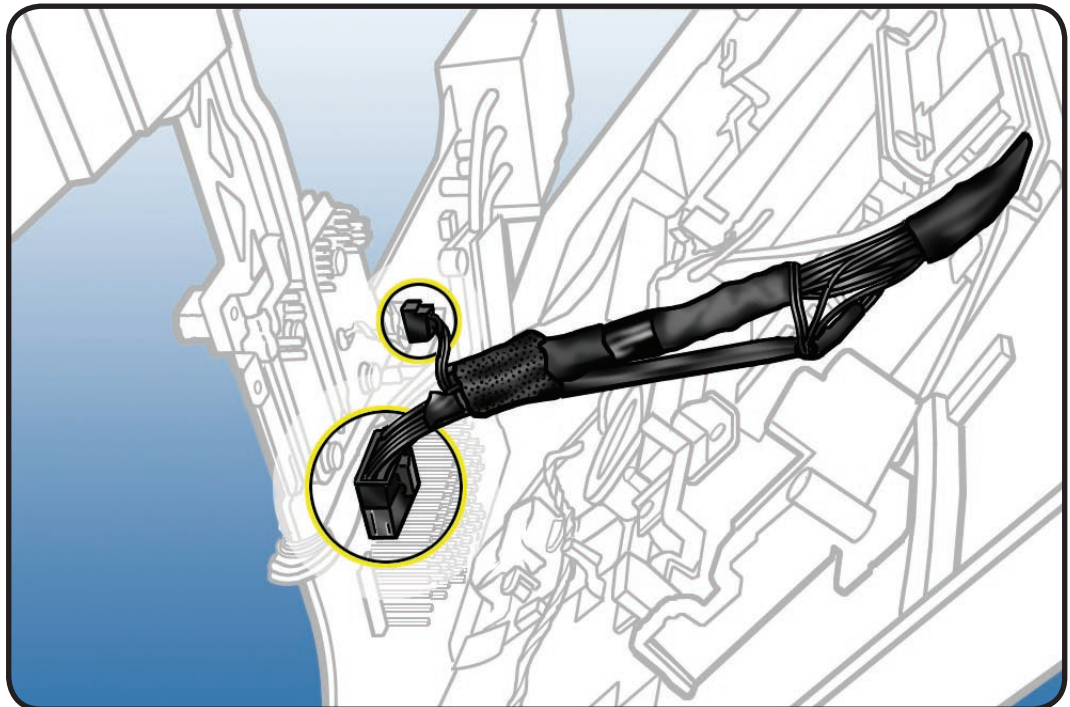


922-9243, long
24mm (L)



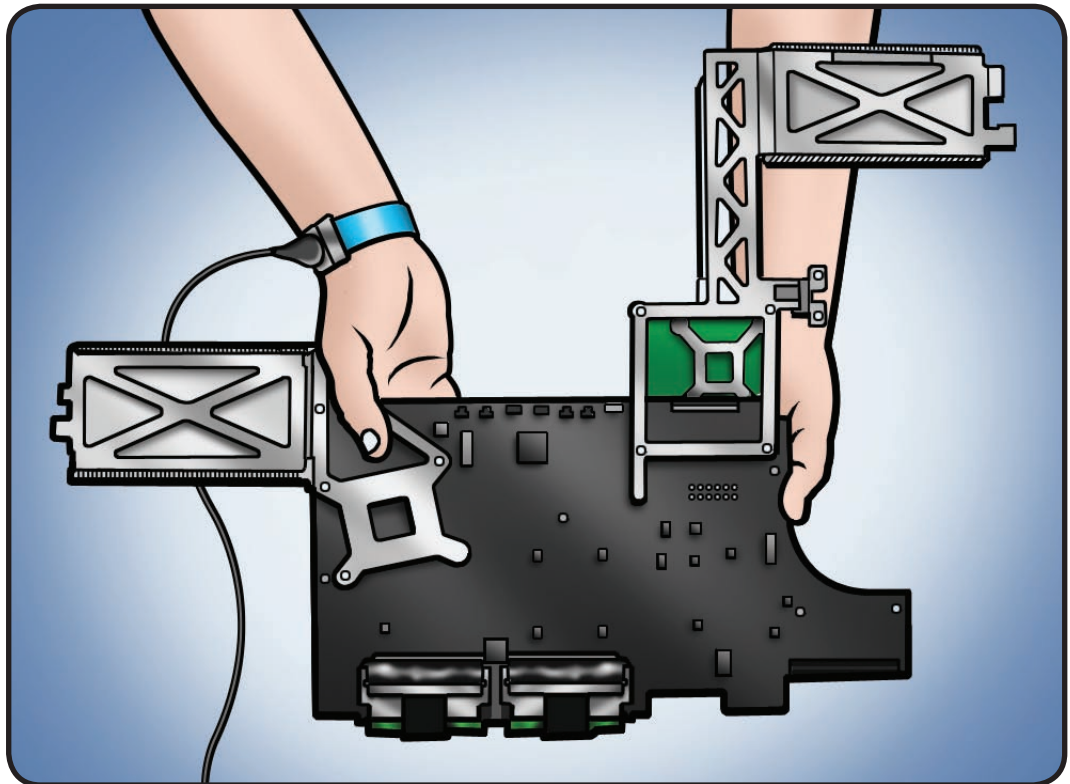
- 5** Gently pull board
forward and
disconnect 2 cables
from underside:
- DC power cable
 - hard drive data cable

- 6** Lift board up and out
of rear housing.





- 7 Important:** Always use 2 hands to support board and heatsink. Handling board incorrectly could flex board and damage chips and circuits. **Never** handle board by heatsink or metal frame.



Replacement

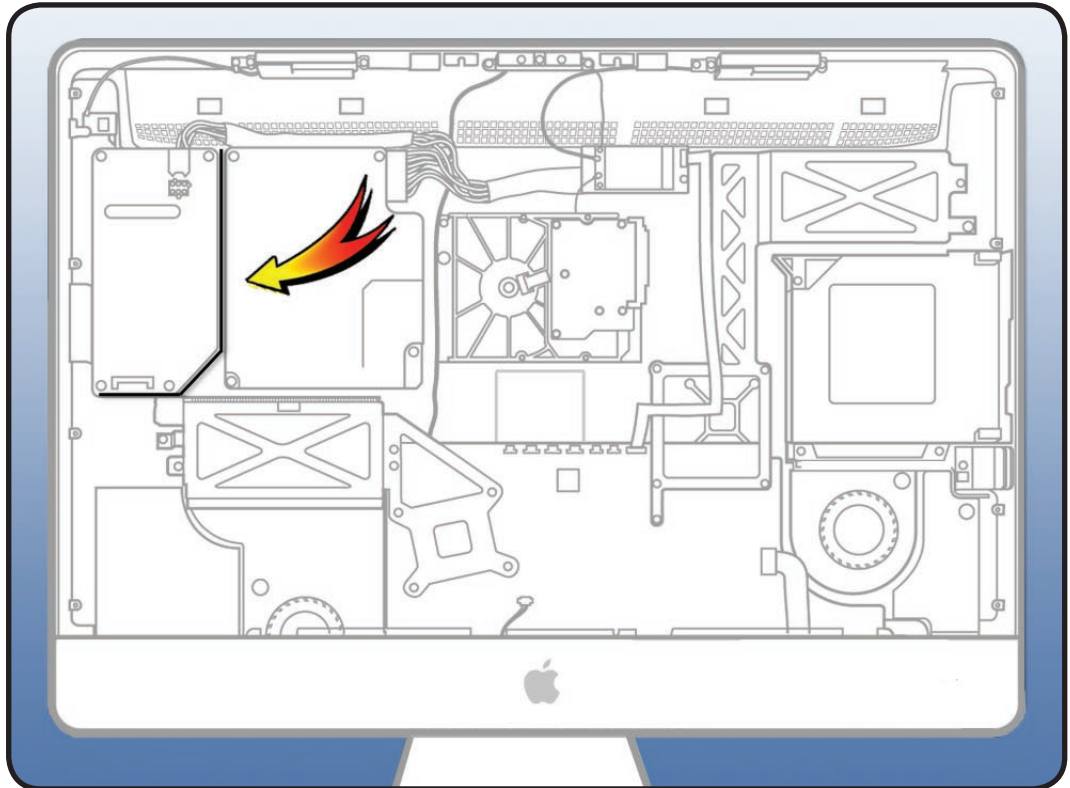
Note: If installing a replacement logic board, transfer the following items:

- memory DIMMs
- video card and support bracket
- optical data cable

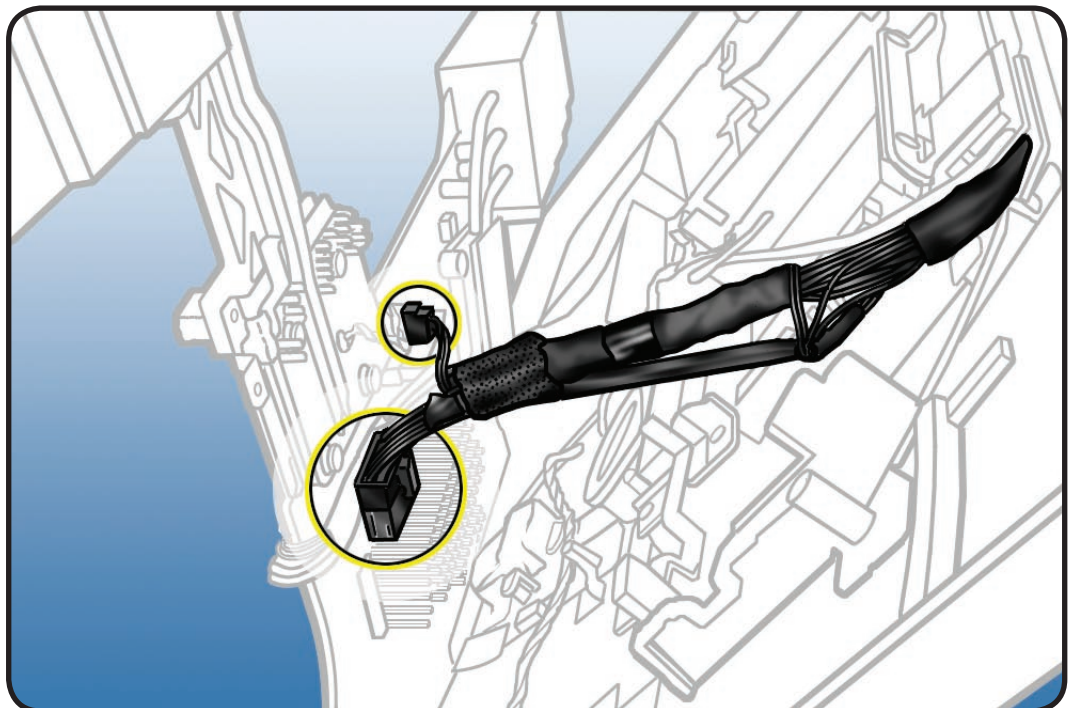


Reassembly

- 1 For easier installation, remove the backlight pressure wall.

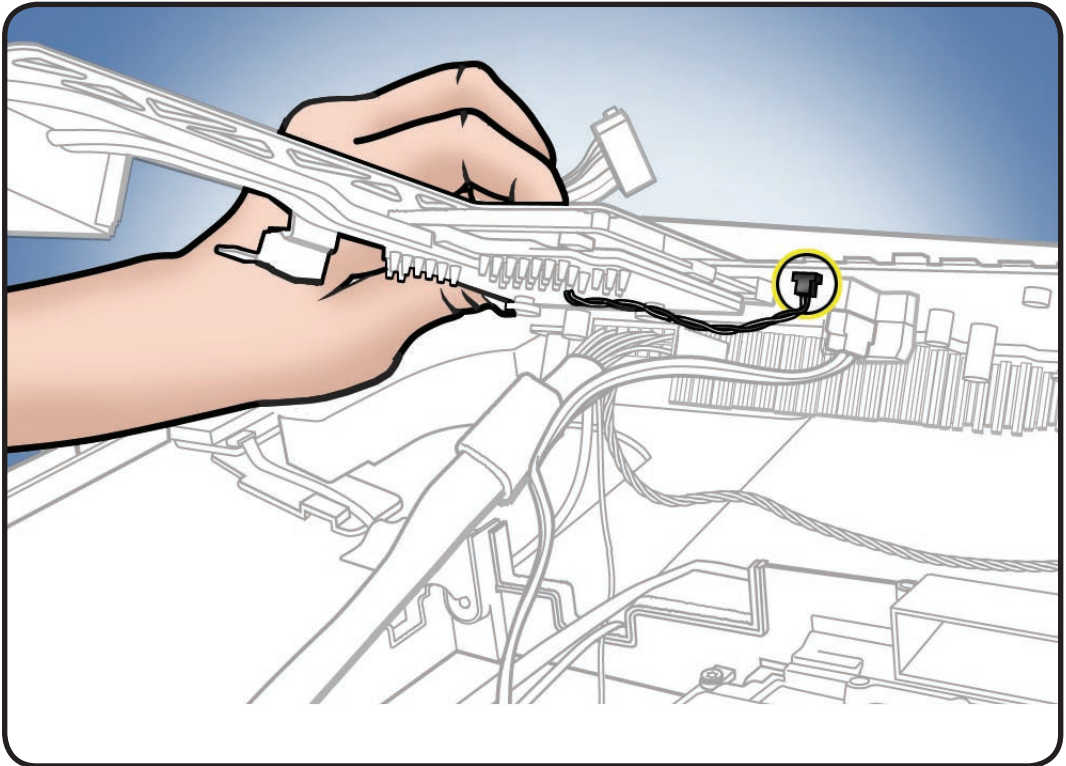


- 2 Lower board into rear housing. Connect 2 cables underneath:
 - DC power cable
 - hard drive data cable

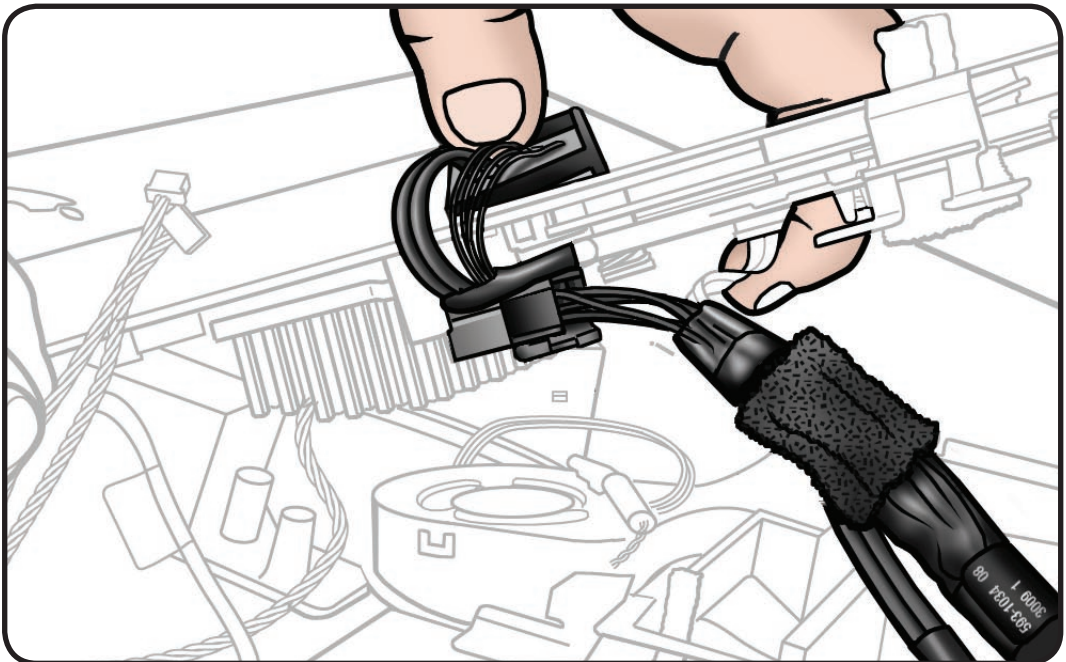




- 3** Check that the video card cable is connected, in case it was disconnected.

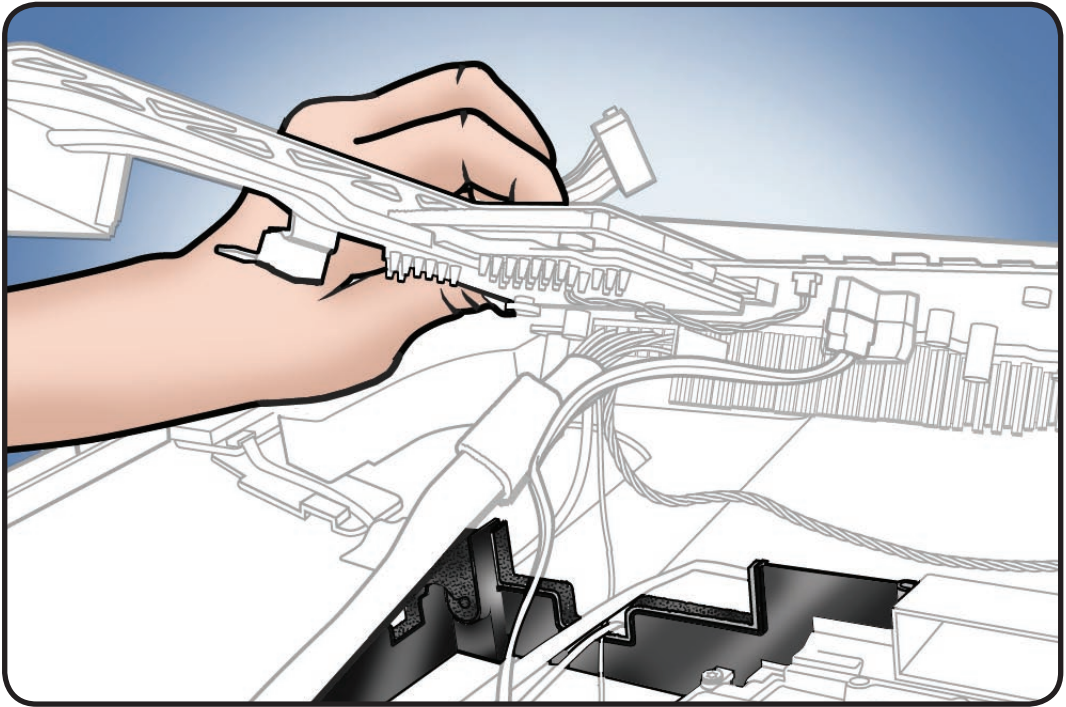


- 4** Make sure optical data cable:
- routes over top of DC power cable
 - extends out to side to connect to the optical drive.



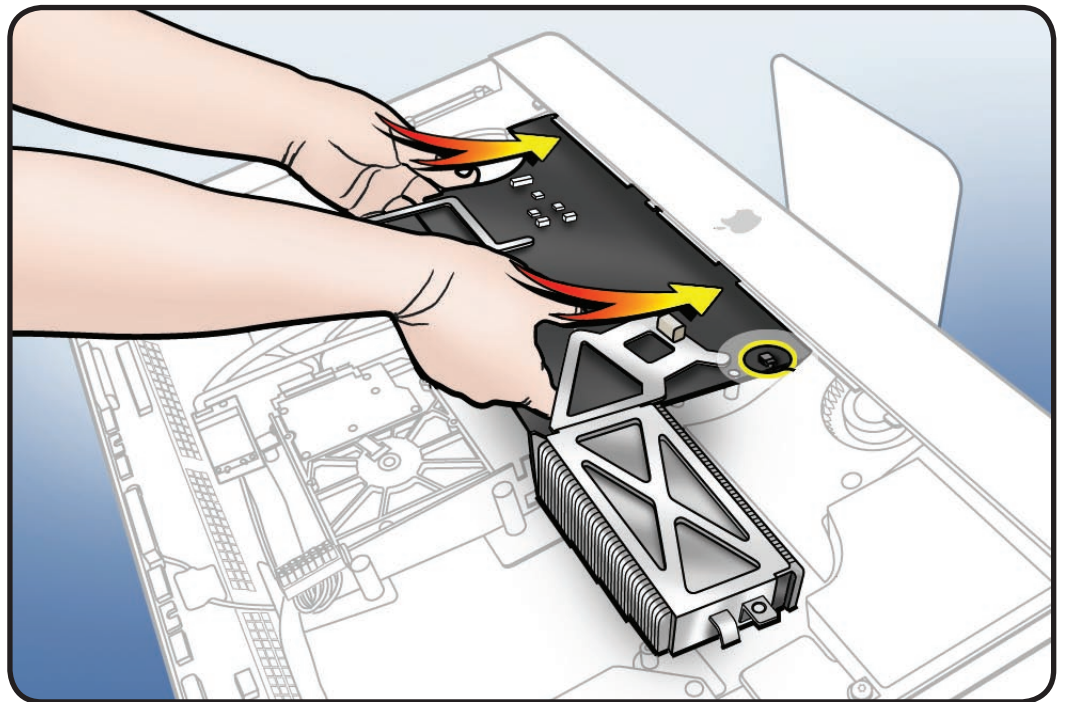


- 5 As you lower board, position DC power cable and hard drive cable into lower notch on pressure wall.



Note: You can install the logic board either laying down (as shown) or with the computer in the vertical position.

- 6 Connect power button cable (circled). Install the board into housing, lining up board with edge of CPU fan and screw standoffs.



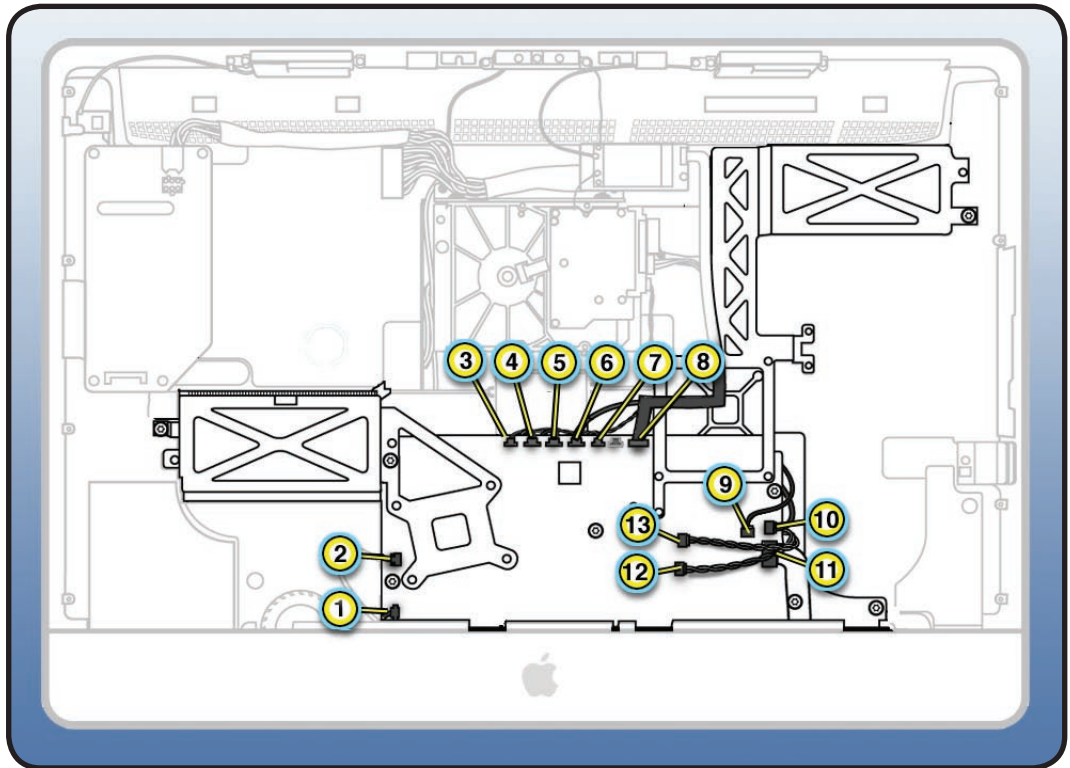


7 Connect cables. **Note:** This graphic shows the iMac (27-inch, Late 2009) board. The iMac 27-inch, Quad Core logic board has an additional connector in the top left corner of the board.

8 Replace 8 T10 screws
S=short (2)
M=medium (2)
L=long (4)

9 Replace and reconnect the following parts:

- backlight pressure wall
- power supply
- hard drive data cable to hard drive
- optical fan
- optical sensor cable
- optical drive
- IR board
- LCD panel
- glass panel





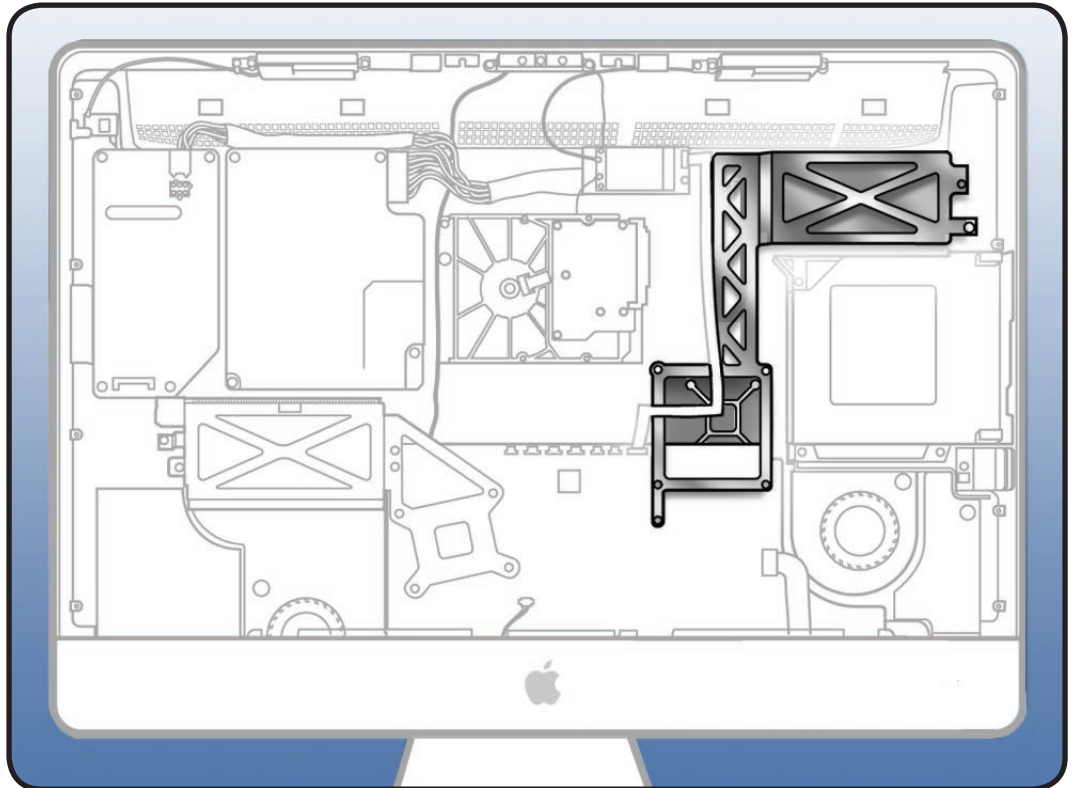
Video Card

First Steps

Remove

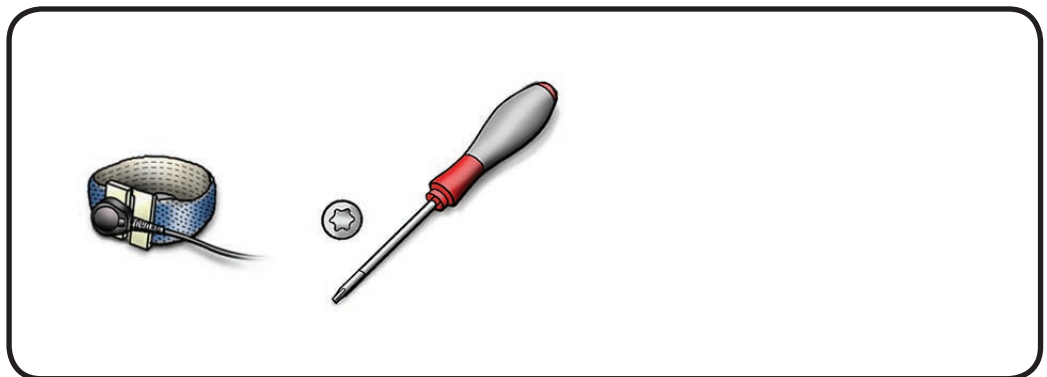
- Glass panel
- LCD panel
- Optical drive
- Optical fan
- Power supply
- IR board
- Logic board

Note: Video card attaches to back side of logic board.



Tools

- Torx T8 screwdriver
- Torx T10 screwdriver
- ESD-wrist strap and mat





Removal

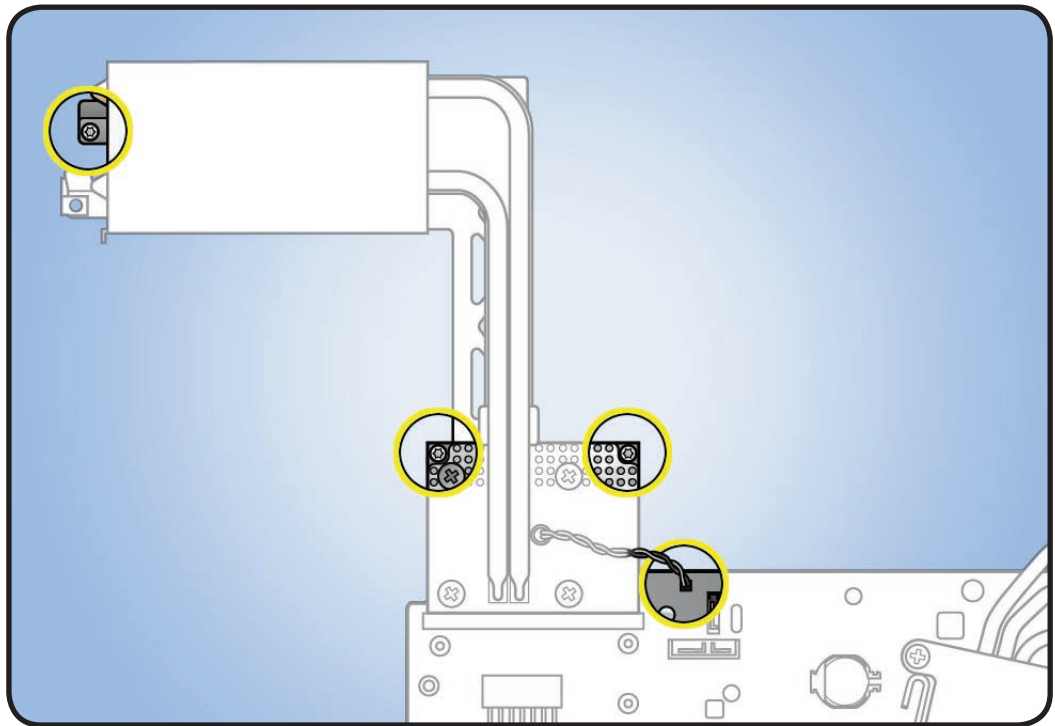
Note: There are 2 different video cards; however, the removal procedure is identical.

1 Remove 3 screws attaching video card to bracket.

- (1) 922-7971, T10



- (2) 922-4723, T8

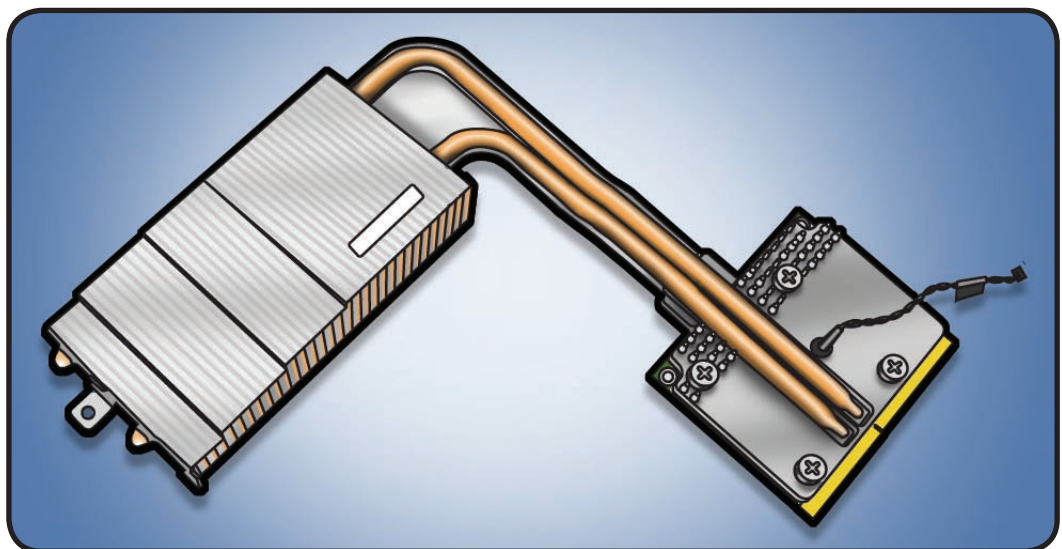


2 Disconnect video card temp sensor from logic board.

3 Support video card as you wiggle card out of slot.

Replacement Note:

If you replace the logic board, transfer video card and video card bracket to replacement logic board. Refer to the next page for procedure.



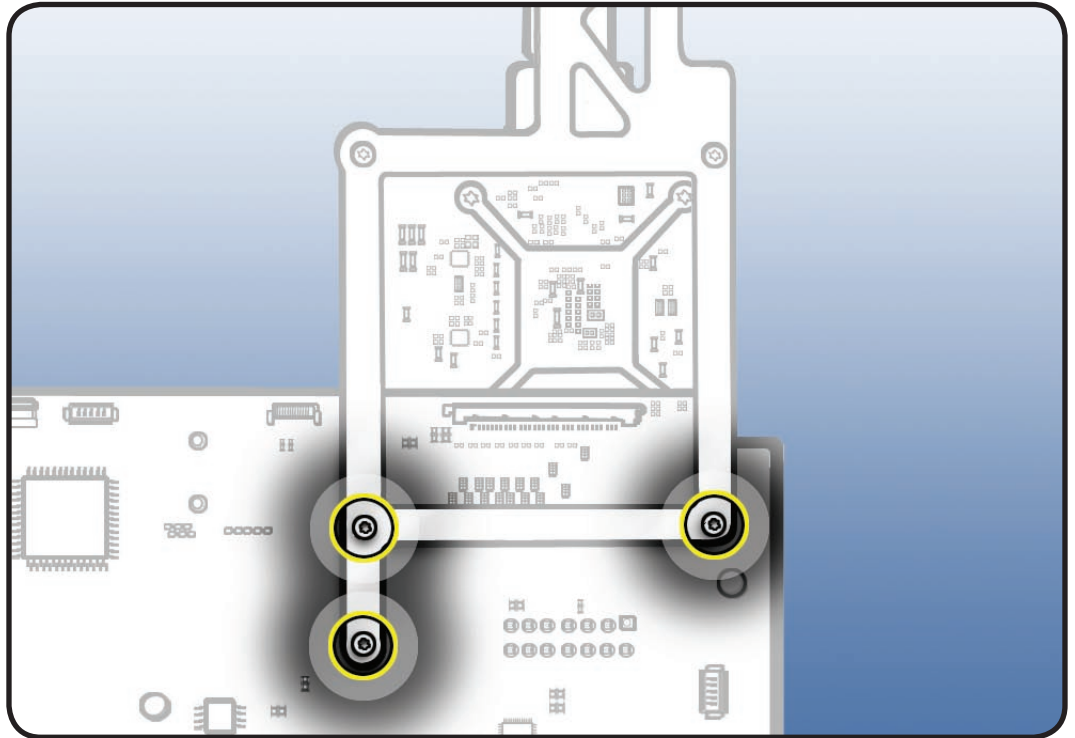


4 Remove 3 T8 screws on top side of logic board.

- 922-4723



5 Carefully wiggle video bracket off logic board. Be careful not to bump DisplayPort connector (on top side of board) as you slide the bracket off.





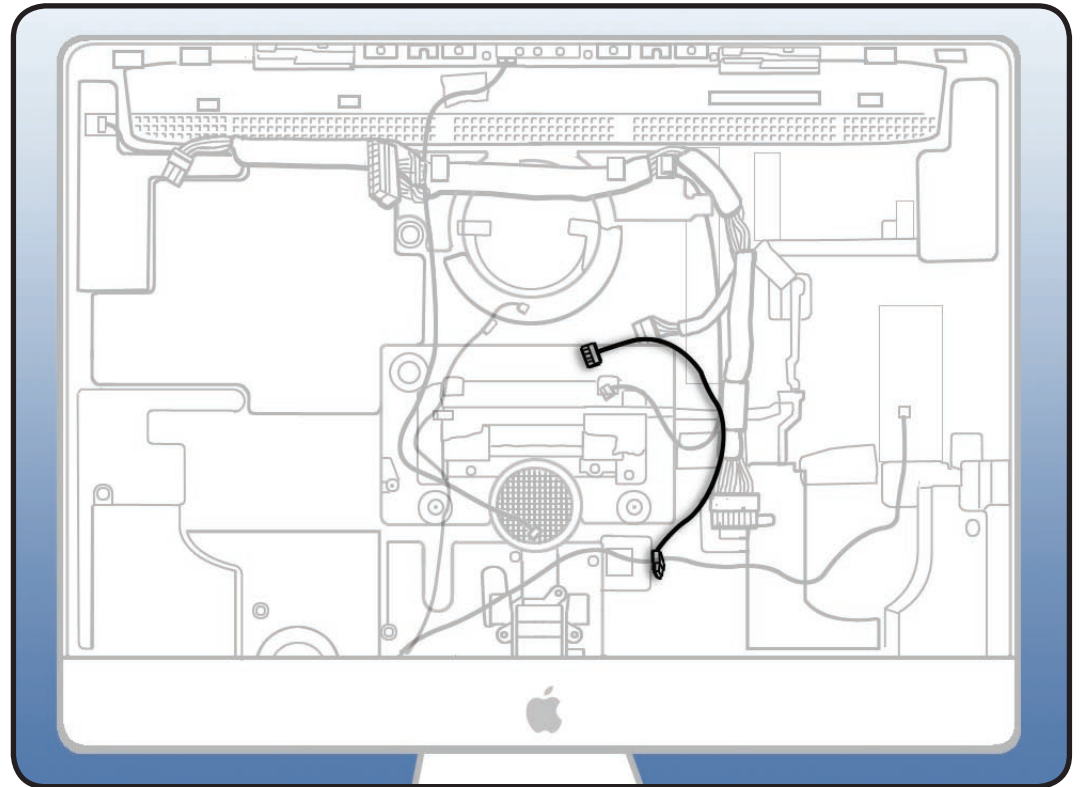
Hard Drive Data Cable

First Steps

Remove

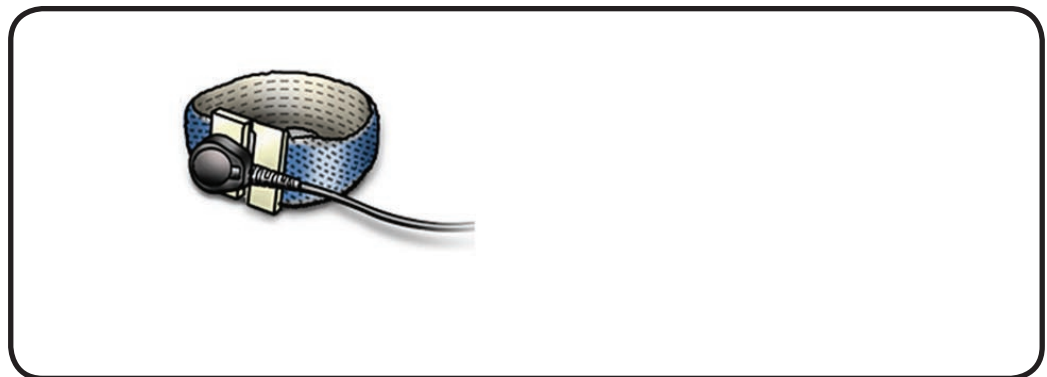
- Glass panel
- LCD panel
- Optical drive
- Optical fan
- Power supply
- IR board
- Logic board

Note: One end of hard drive data cable attaches to back side of logic board.



Tools

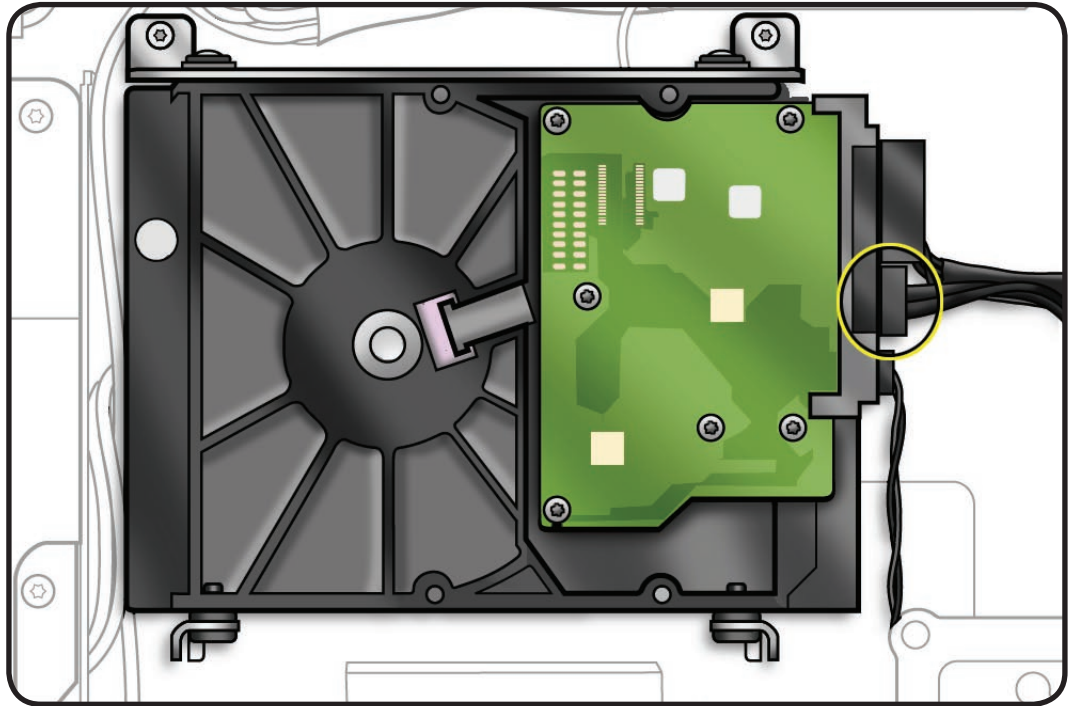
- ESD-wrist strap and mat



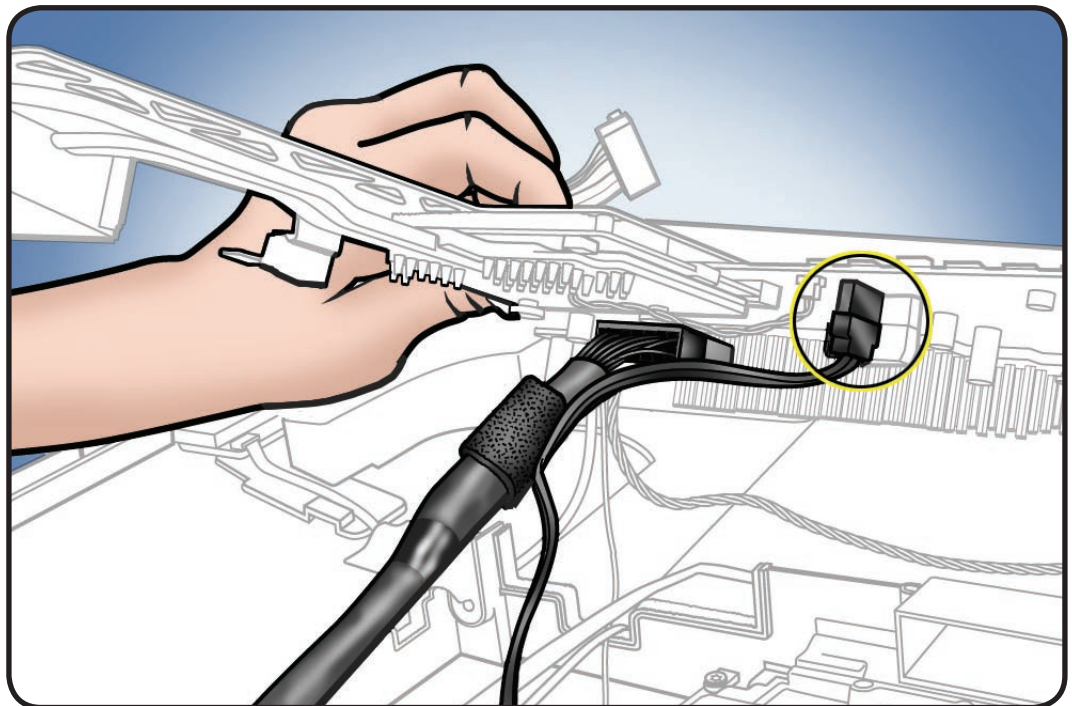


Removal

- 1 Disconnect hard drive data cable from side of hard drive.



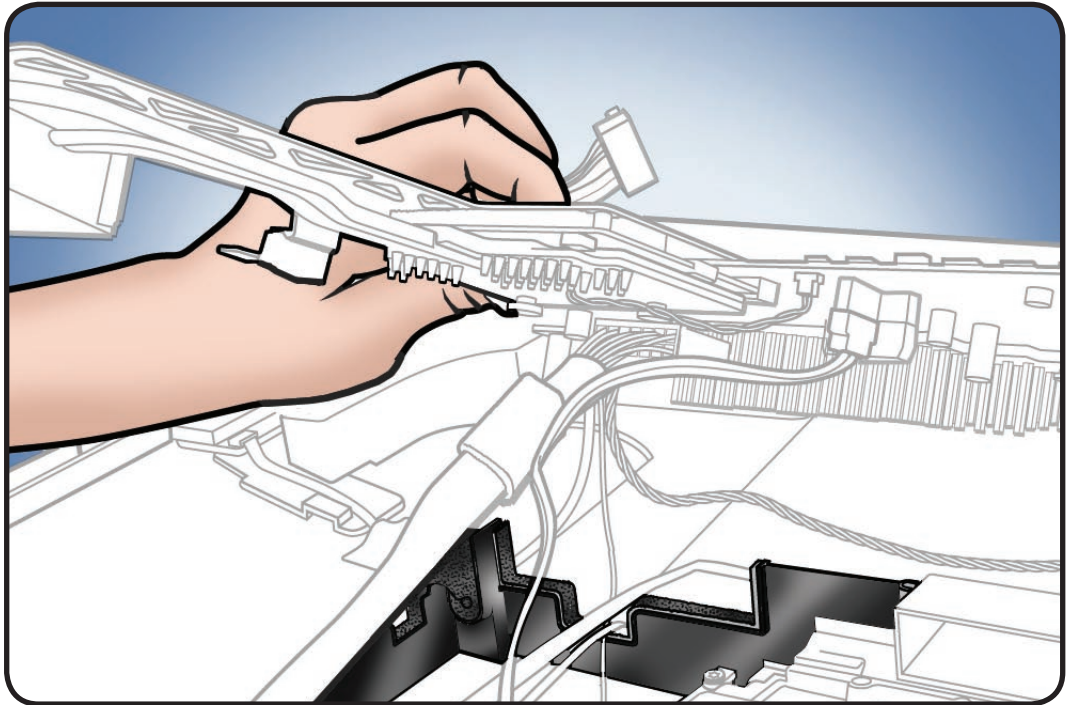
- 2 Disconnect other end from back side of logic board.





Replacement Note:

As you lower logic board, route DC power cable and hard drive cable into lower notch on pressure wall.





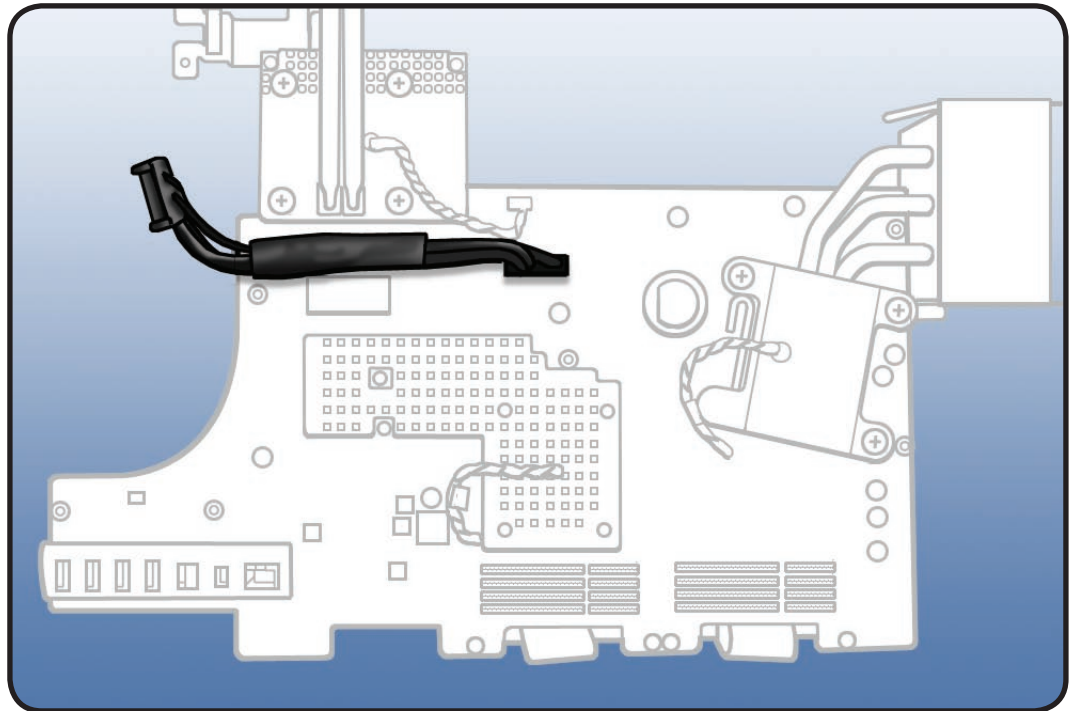
Optical Drive Data Cable

First Steps

Remove

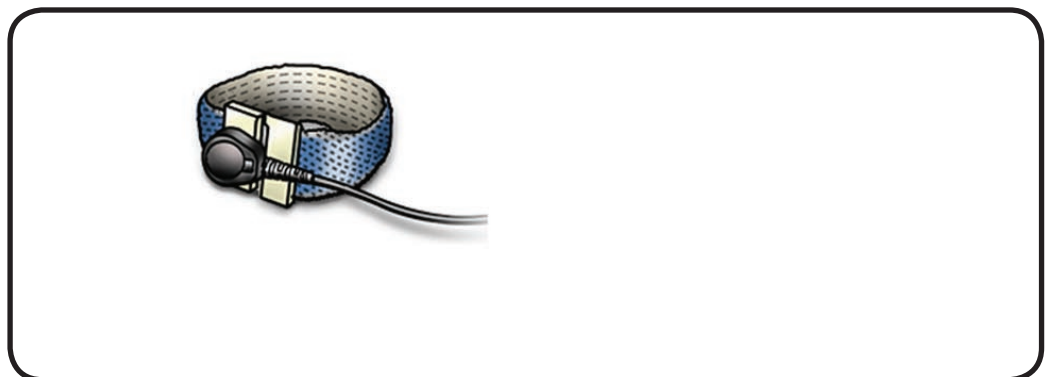
- Glass panel
- LCD panel
- Optical drive
- Optical fan
- Power supply
- IR board
- Logic board

Note: Optical drive data cable attaches to back side of logic board.



Tools

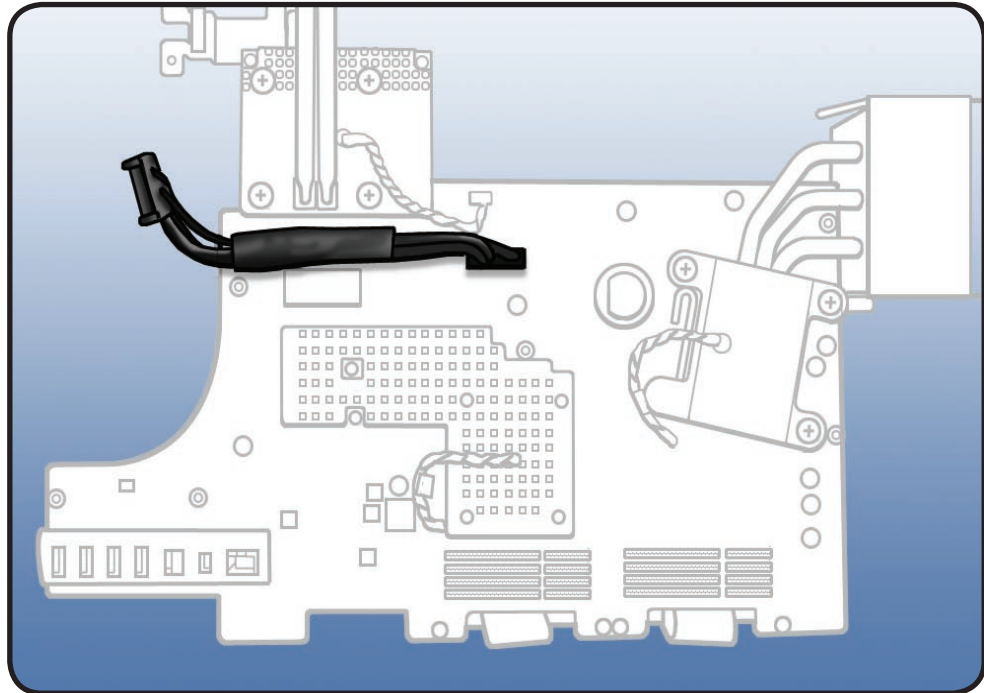
- ESD-wrist strap and mat





Removal

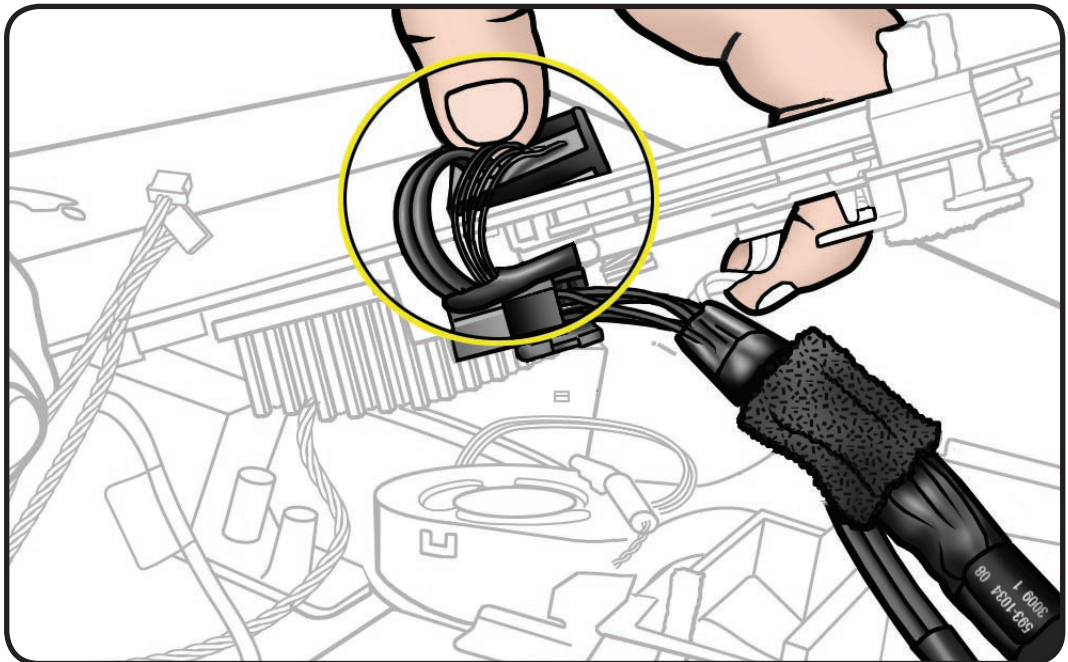
Disconnect optical data cable from back side of logic board.



Replacement Note:

Hold the optical cable with your thumb as you lower the logic board into rear housing. Make sure optical data cable:

- routes over the top of the DC power cable
- extends out to side to connect to optical drive



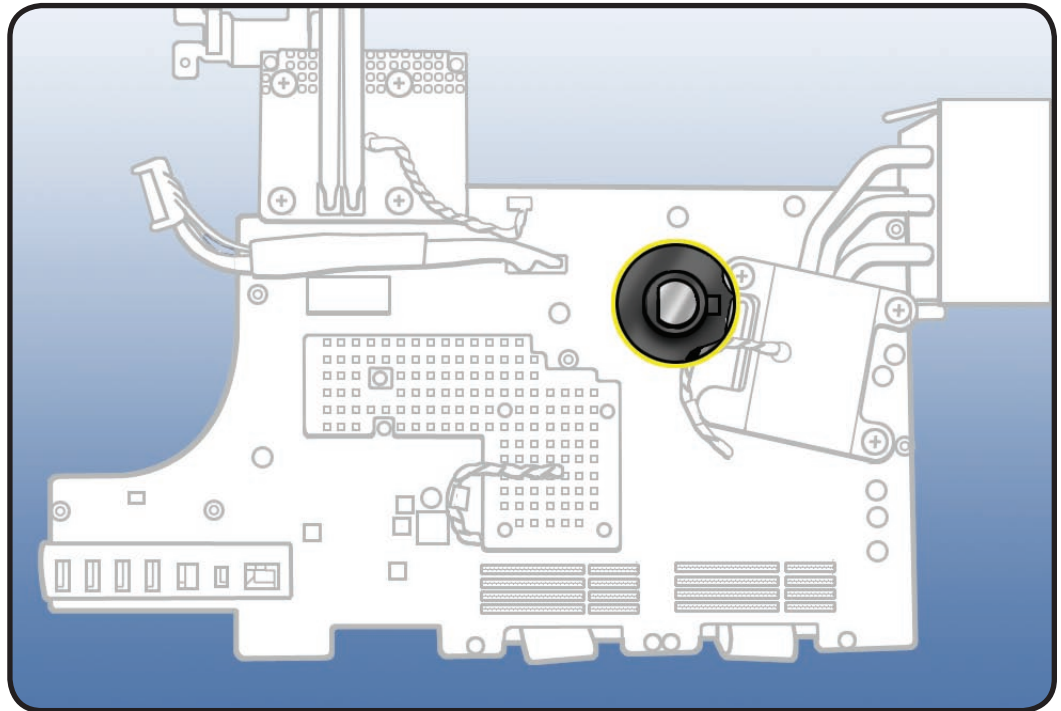


Battery

First Steps

Remove

- Glass panel
- LCD panel
- Optical drive
- Optical fan
- Power supply
- IR board
- Logic board



Tools

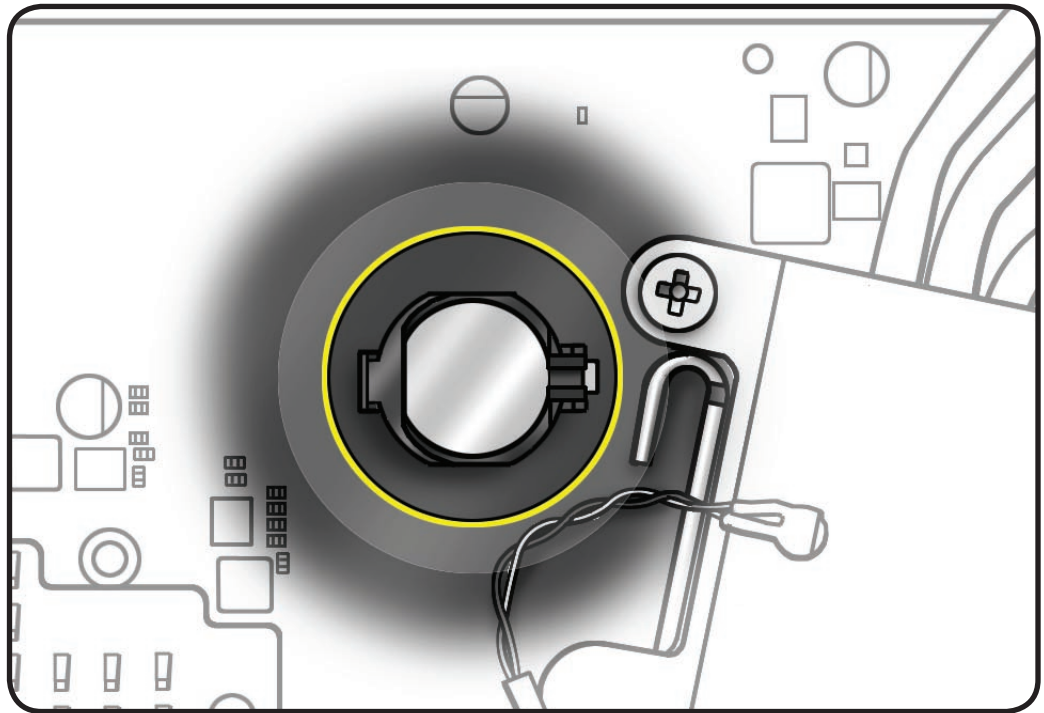
- Black stick
- ESD mat and wrist strap





Removal

- 1 Use a black stick to pry battery from battery socket on logic board.



Reassembly

- 1 Make sure battery socket is open and free of dust.
- 2 Press battery (922-8892) into socket with engraved markings (+ side) facing up.



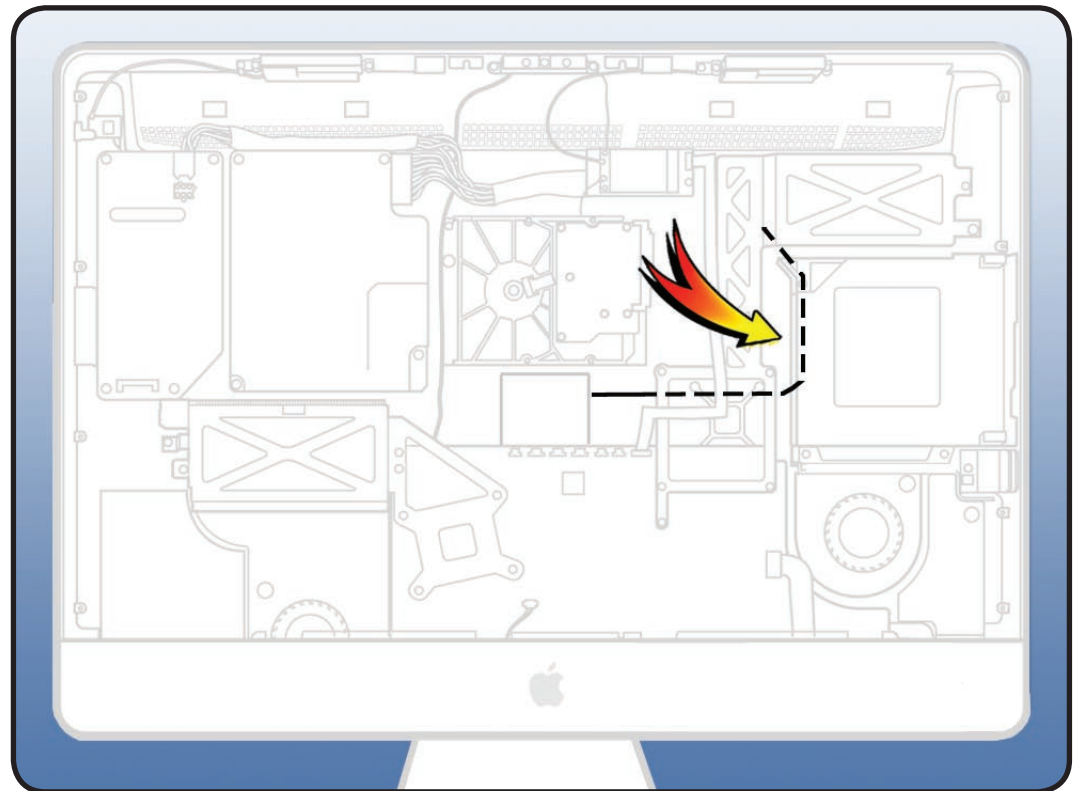


Optical Pressure Wall

First Steps

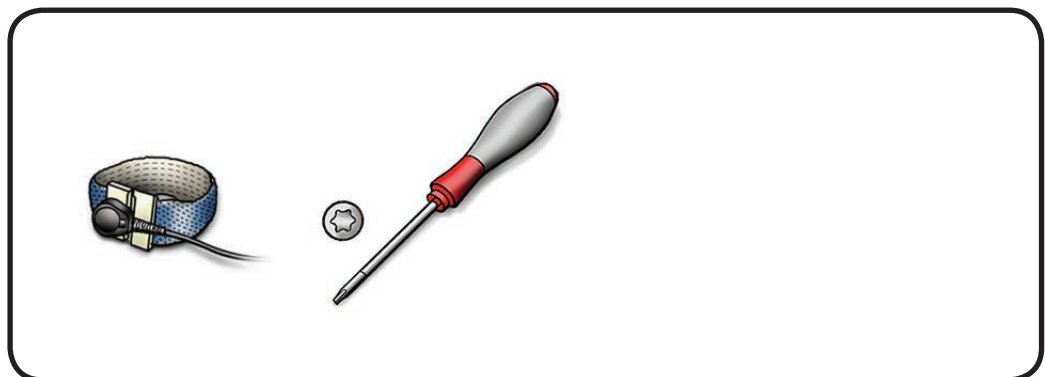
Remove

- Glass panel
- LCD panel
- Optical drive
- Optical fan
- Power supply
- IR board
- Logic board



Tools

- Torx T10 screwdriver
- ESD-wrist strap and mat



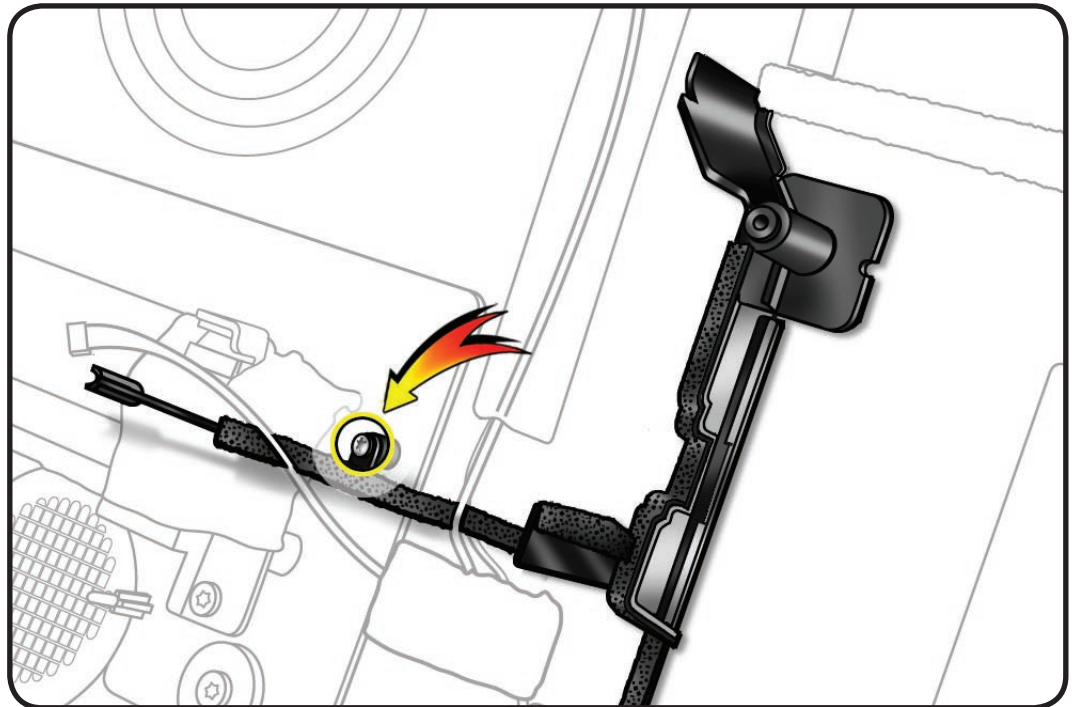


Removal

- 1 Remove 1 T8 screw on pressure wall.
 - 922-9241



- 2 Lift pressure wall up and off two posts in rear housing. Take note of Bluetooth and microphone cable routing over pressure wall.



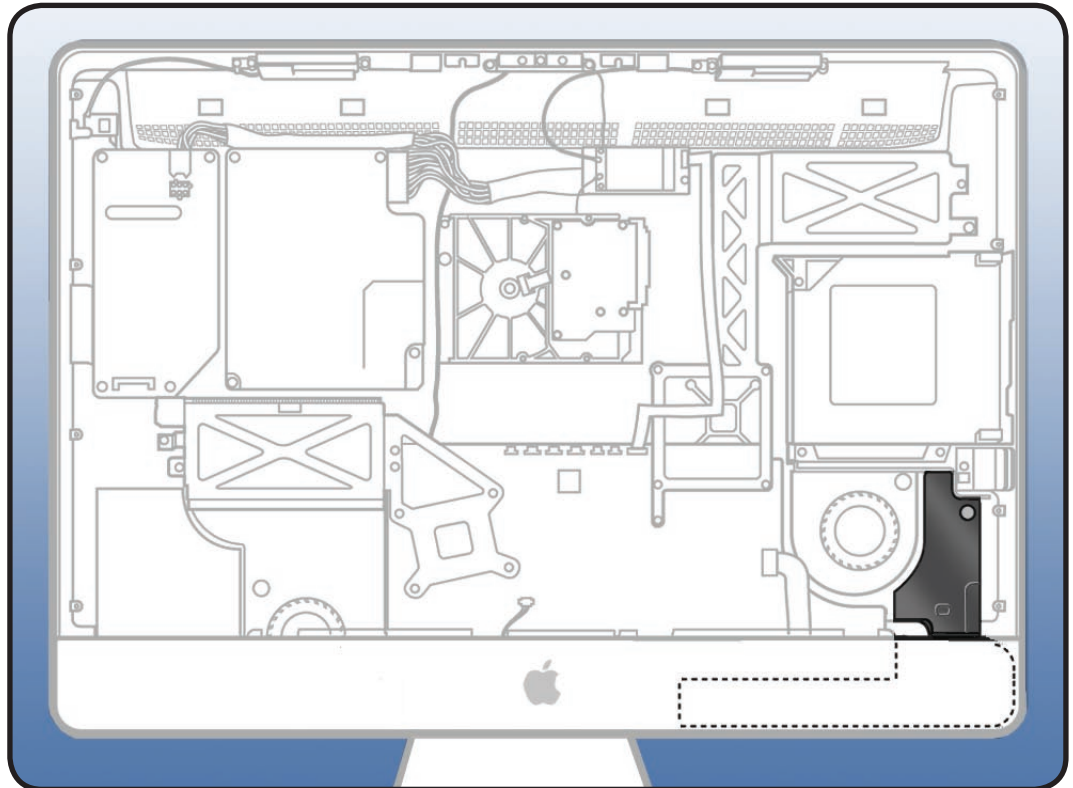


Right Speaker

First Steps

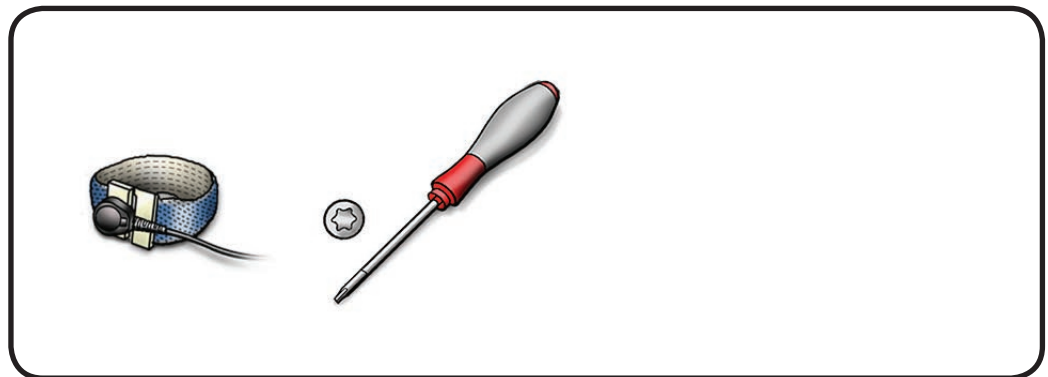
Remove

- Glass panel
- LCD panel
- Optical drive
- Optical fan
- Audio ports
- IR board
- Logic board



Tools

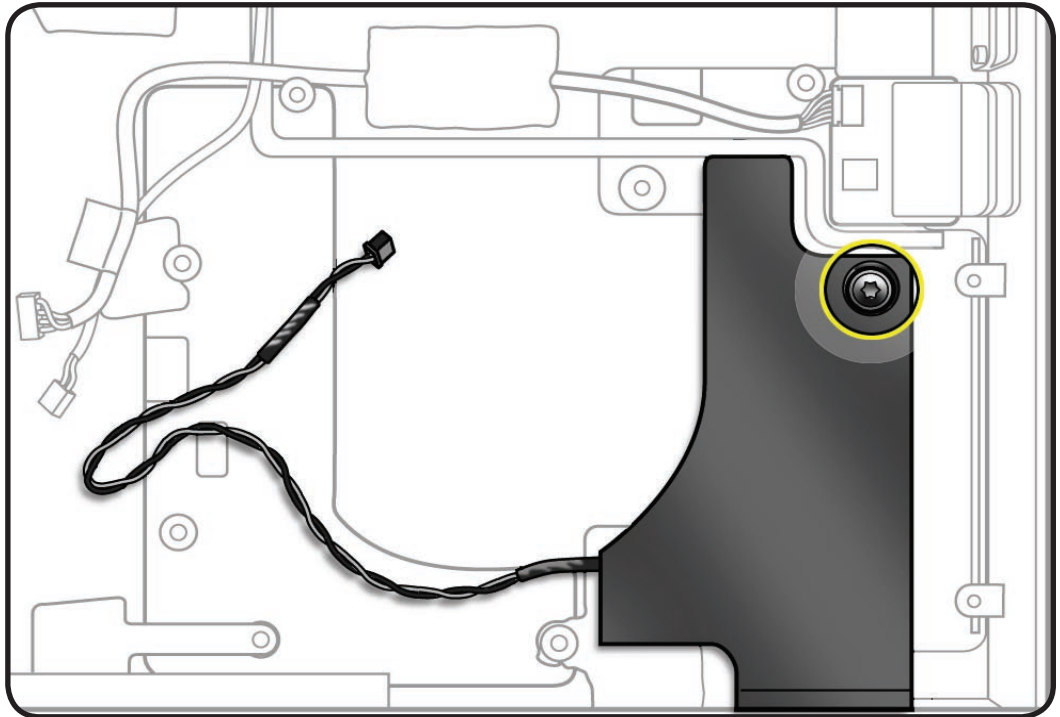
- Torx T10 screwdriver
- ESD-wrist strap and mat



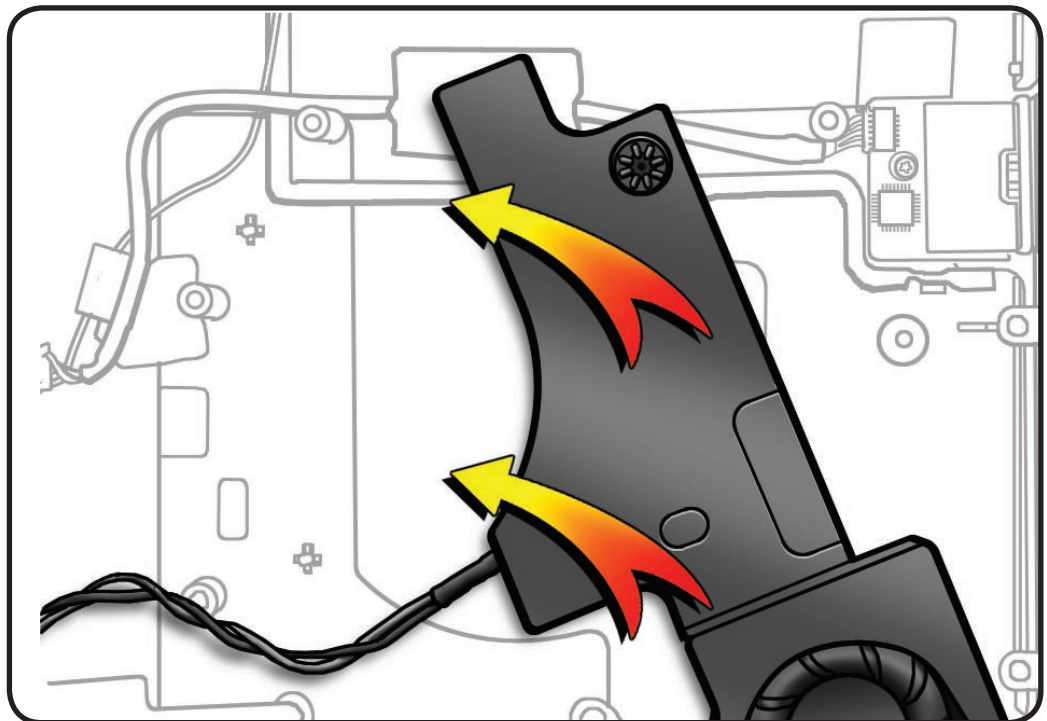


Removal

- 1 Remove 1 T10 screw.
 - 922-9242



- 2 Rotate fan up and to the left to remove from rear housing.



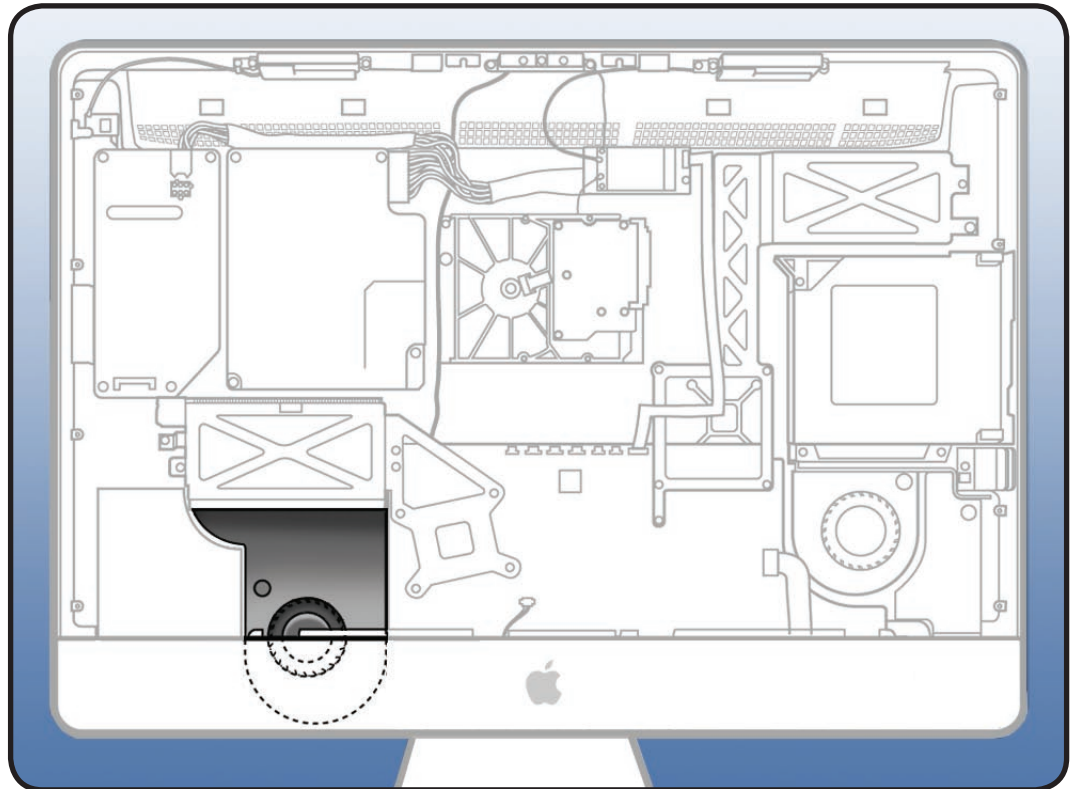


CPU Fan

First Steps

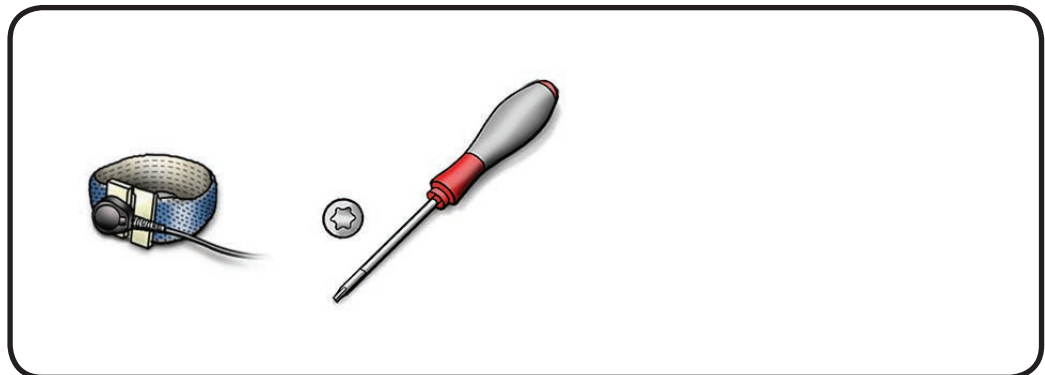
Remove

- Glass panel
- LCD panel
- Optical drive
- Optical fan
- Power supply
- IR board
- Logic board



Tools

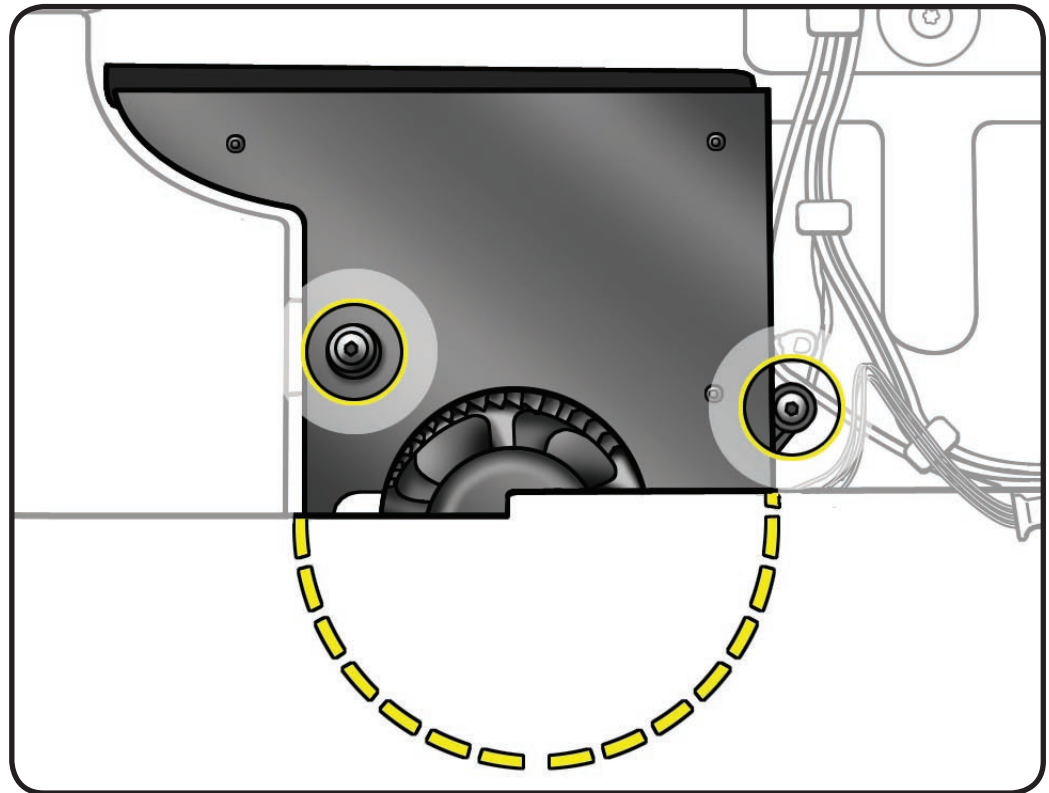
- Torx T10 screwdriver
- ESD-wrist strap and mat





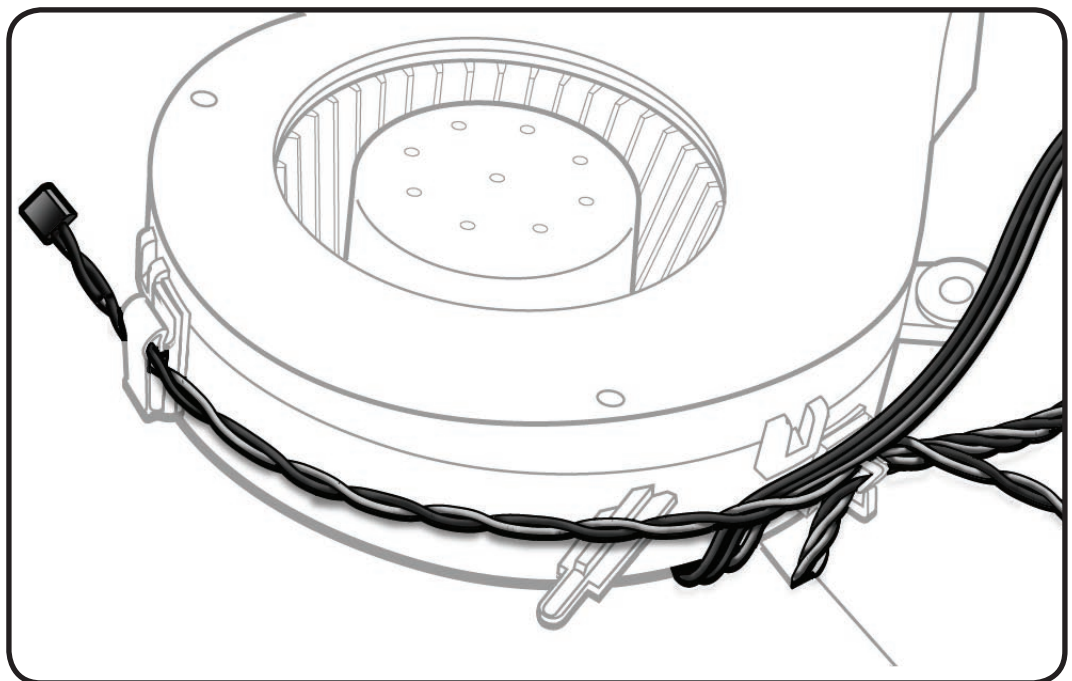
Removal

- 1 Remove 2 T10 shoulder screws.
 - 922-9236



- 2 Lift fan up slightly.
- 3 With black stick, open cable clips and remove:
 - ambient temp sensor
 - left speaker cable

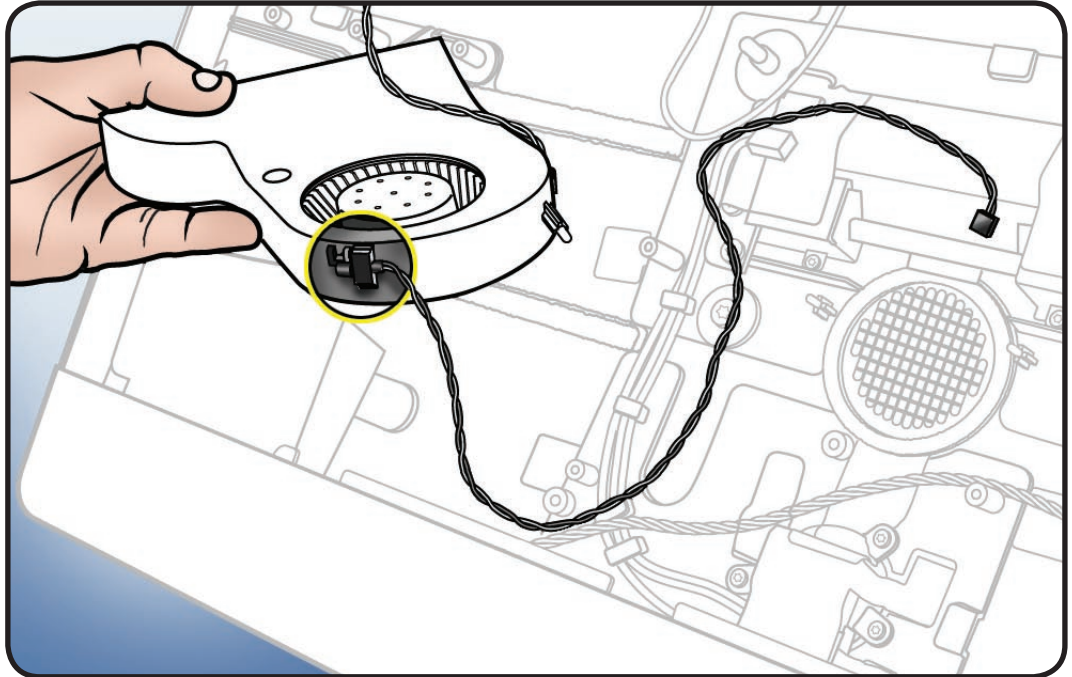
Replacement Note:
Transfer ambient temp sensor to replacement fan.



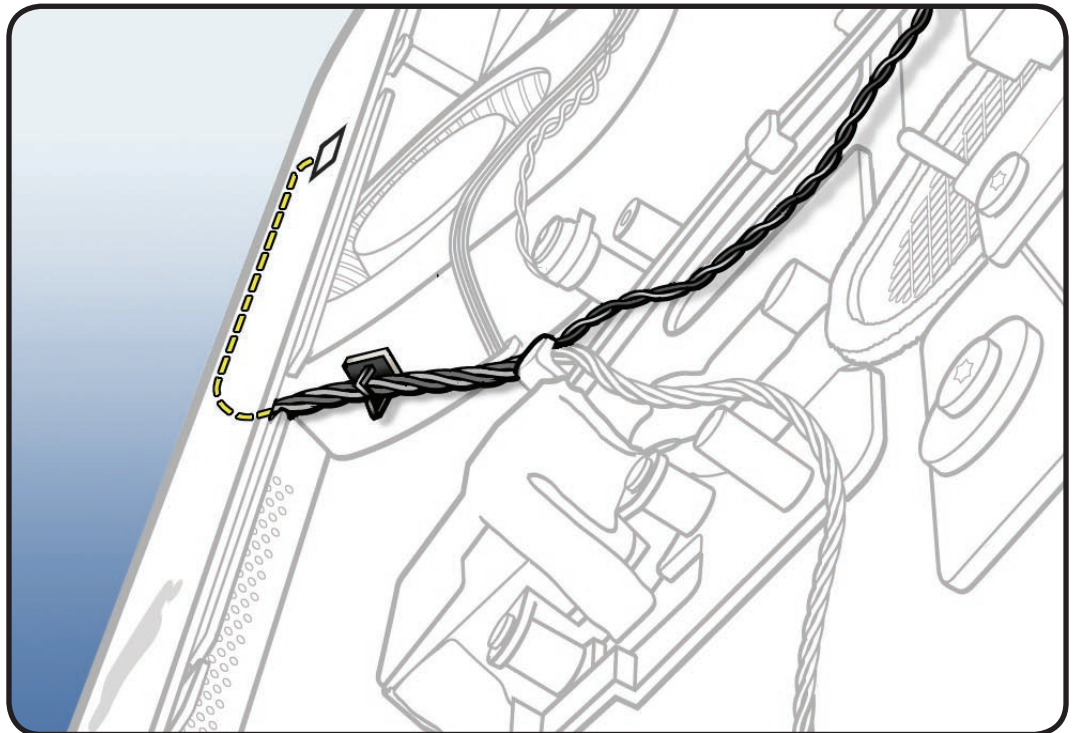


Reassembly

- 1 Route sensor cable through clip on the bottom of fan.



- 2 Route ambient sensor cable under fan and along with fan cable, route through stick-on clip on the side of fan.



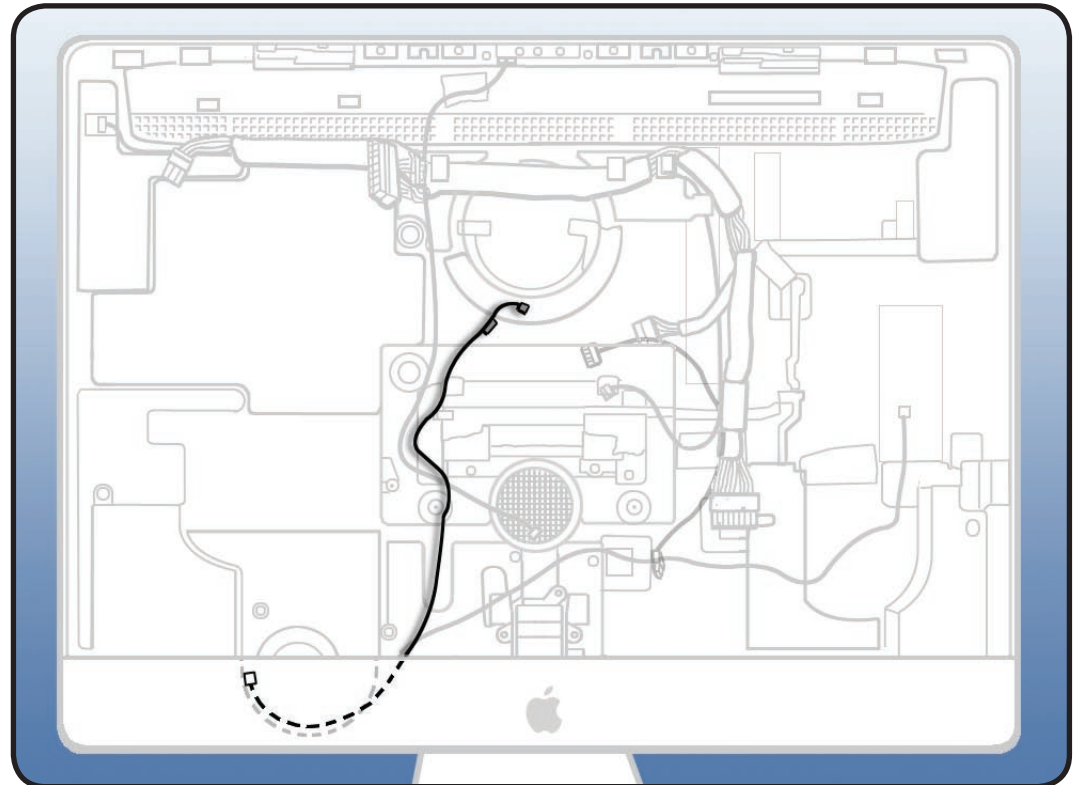


Ambient Temp Sensor

First Steps

Remove

- Glass panel
- LCD panel
- Optical drive
- Optical fan
- Power supply
- IR board
- Logic board
- CPU fan



Tools

- Black stick
- ESD-wrist strap and mat

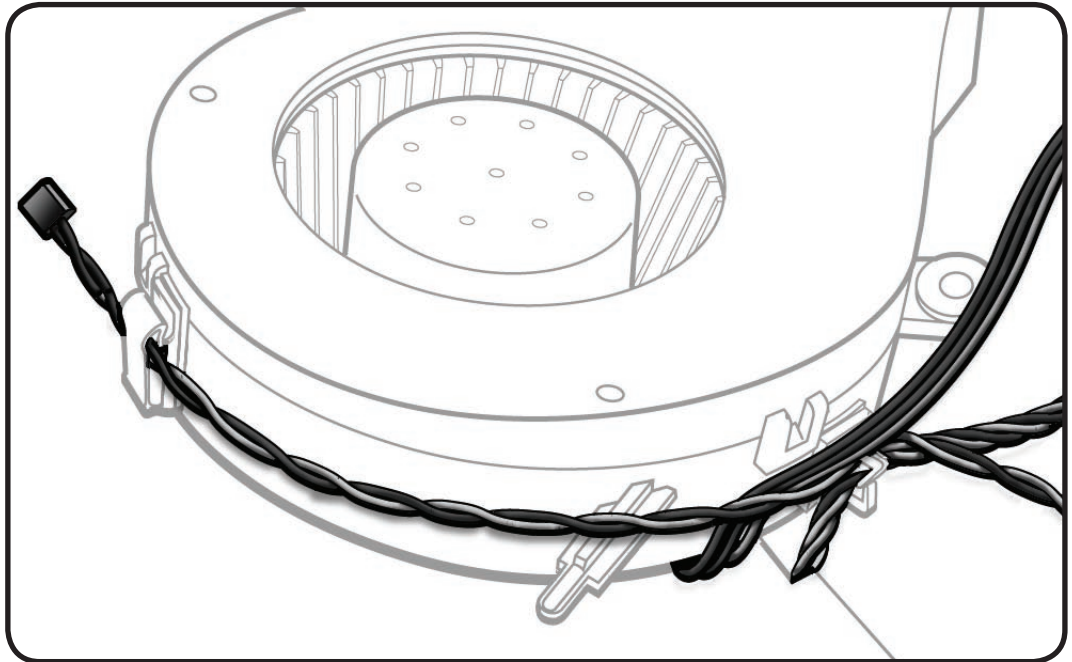




Removal

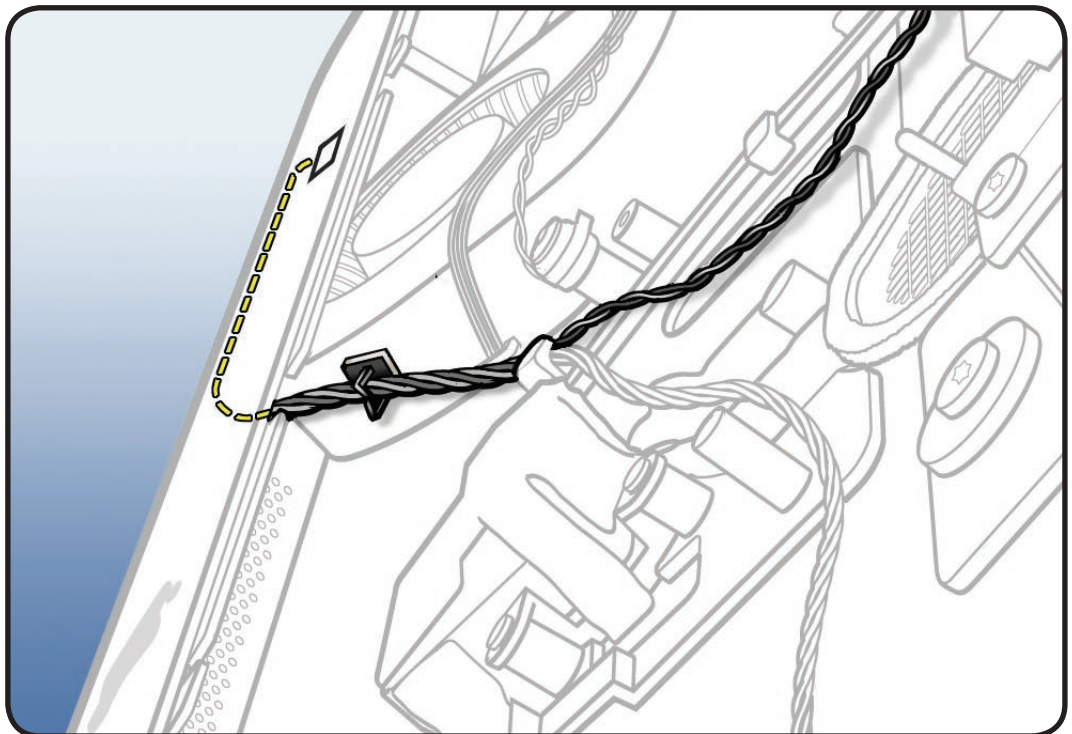
- 1 Release sensor cable from 2 cable clips on CPU fan.

Replacement Note: If you are replacing CPU fan, transfer sensor cable to replacement CPU fan.



Reassembly

Route ambient sensor cable under fan and along with fan cable, route them through stick-on clip on the side of fan.



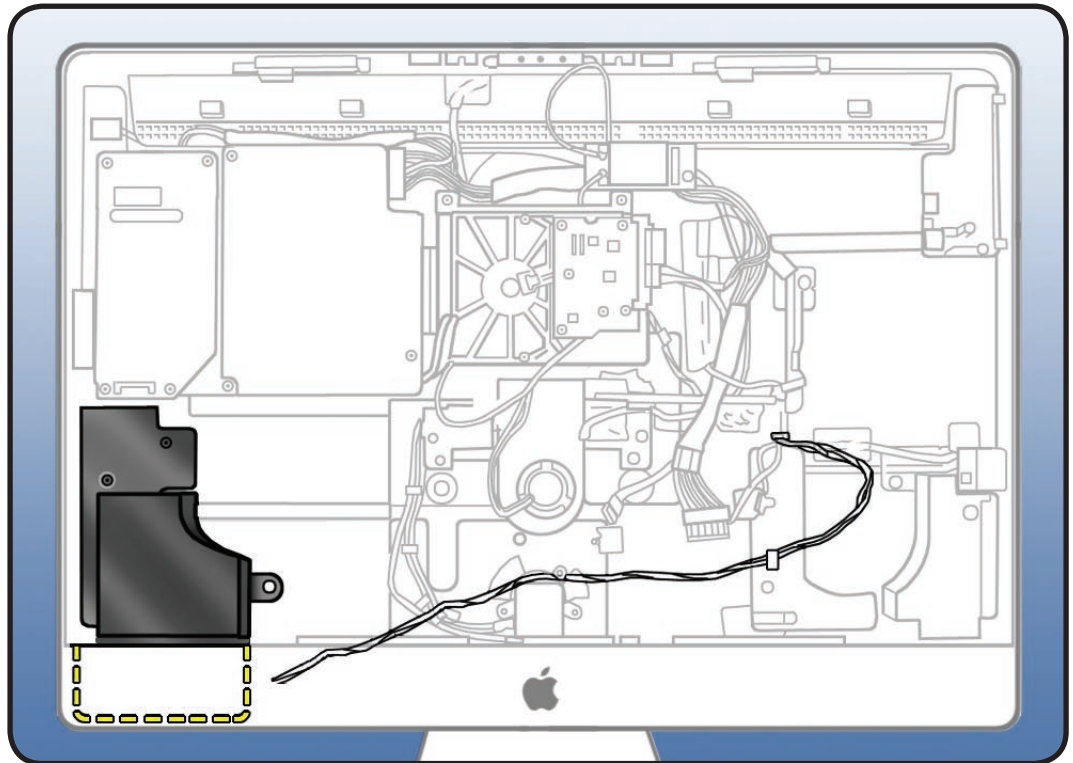


Left Speaker

First Steps

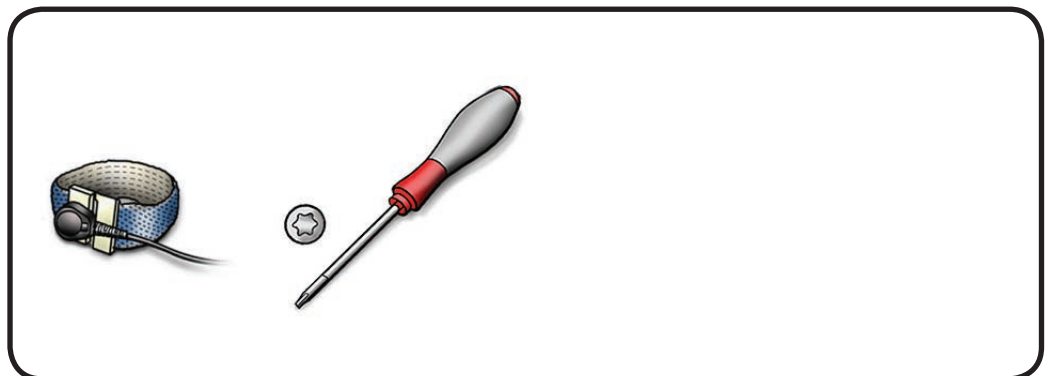
Remove

- Glass panel
- LCD panel
- Optical drive
- Optical fan
- Power supply
- IR board
- Logic board
- CPU fan



Tools

- Magnetized Torx T10 screwdriver
- ESD-wrist strap and mat



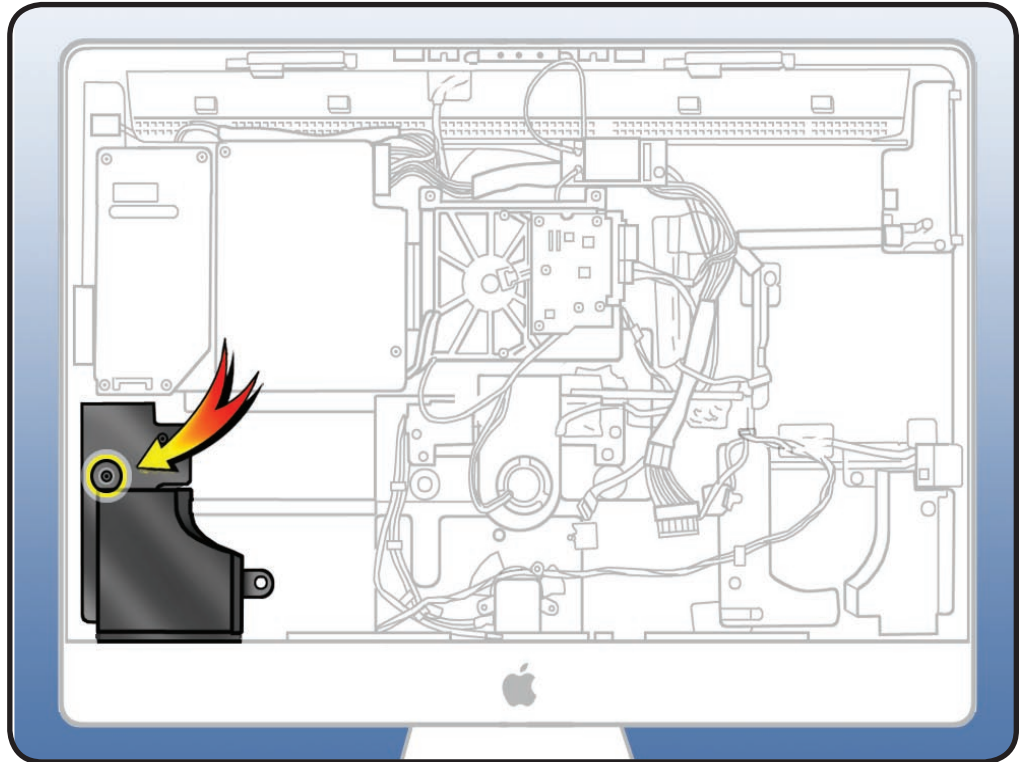


Removal

- 1 Remove 1 T10 screw.
 - 922-8249

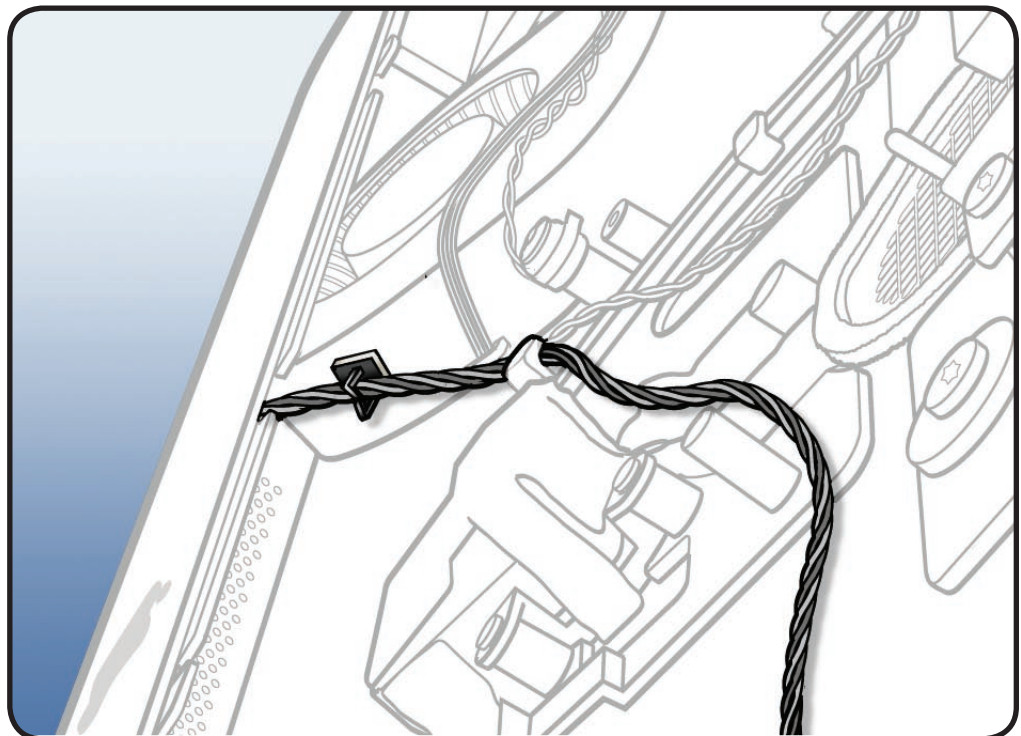


- 2 Lift out speaker.



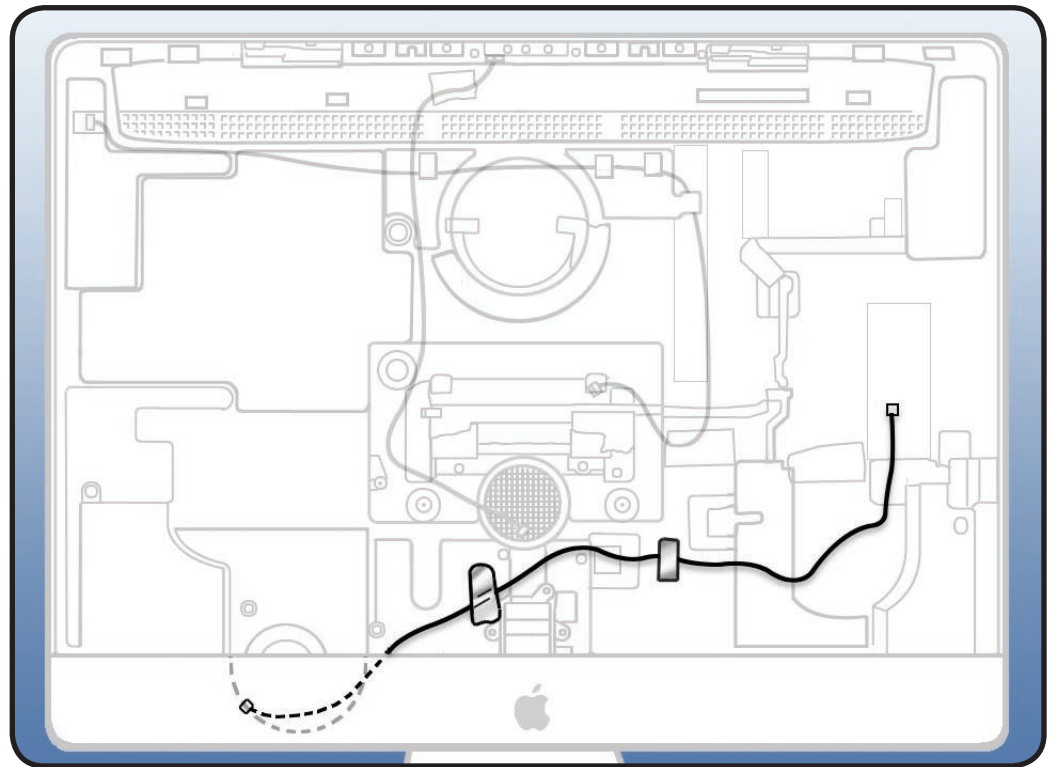
Reassembly

- 1 Route speaker cable around bottom of CPU fan and through stick-on clip on side of fan.





- 2 Continue routing speaker cable above AC power inlet and toward right speaker. Tuck speaker cable under black cable clips in rear housing.



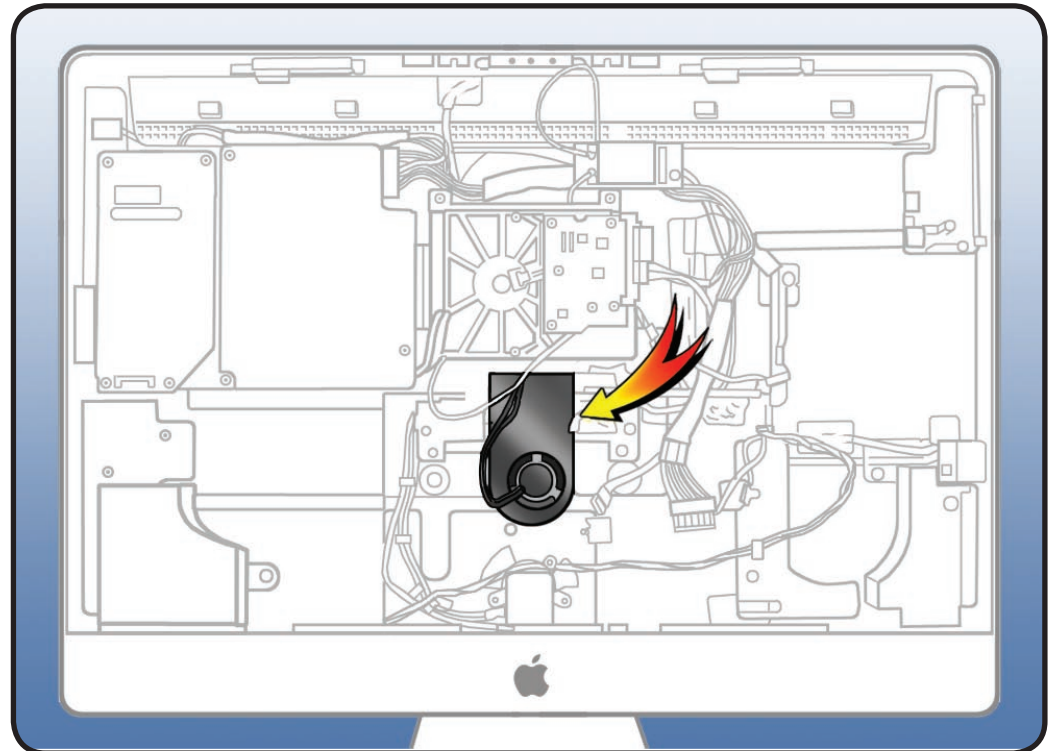


Hard Drive Fan

First Steps

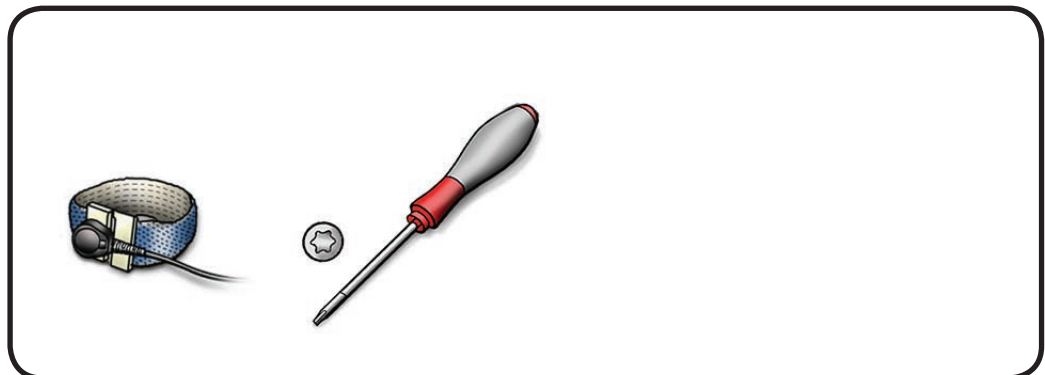
Remove

- Glass panel
- LCD panel
- Optical drive
- Optical fan
- Power supply
- IR board
- Logic board



Tools

- Magnetized Torx T10 screwdriver
- ESD-wrist strap and mat



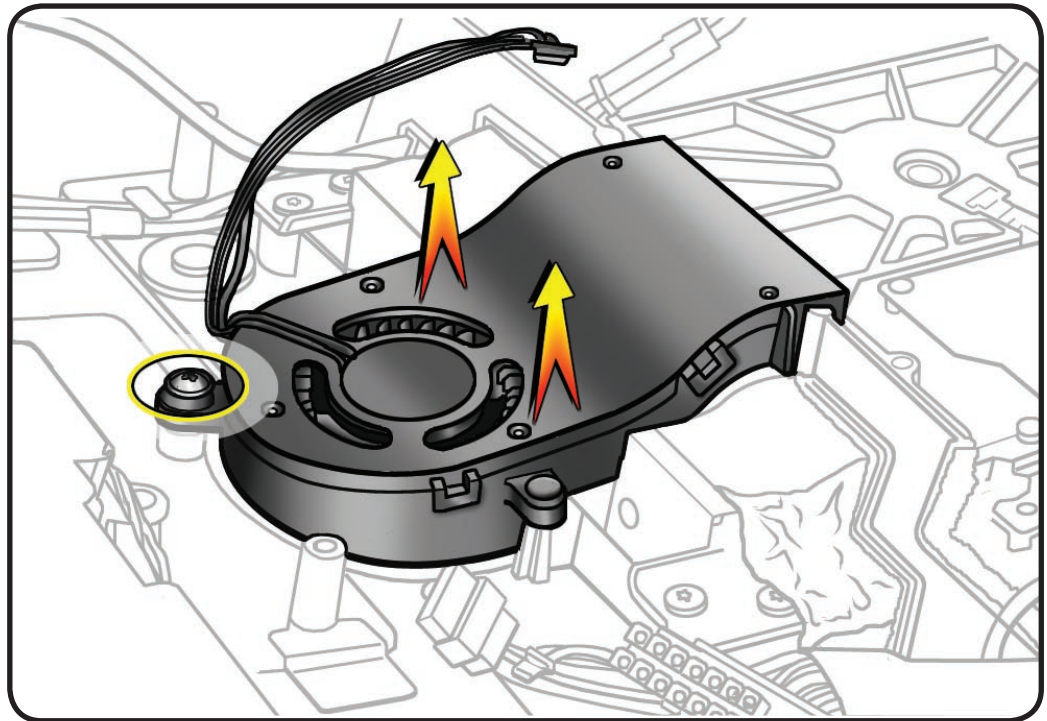


Removal

- 1 Remove 1 T10 screw.
 - 922-9236



- 2 Pull the fan straight up and off the guide posts.



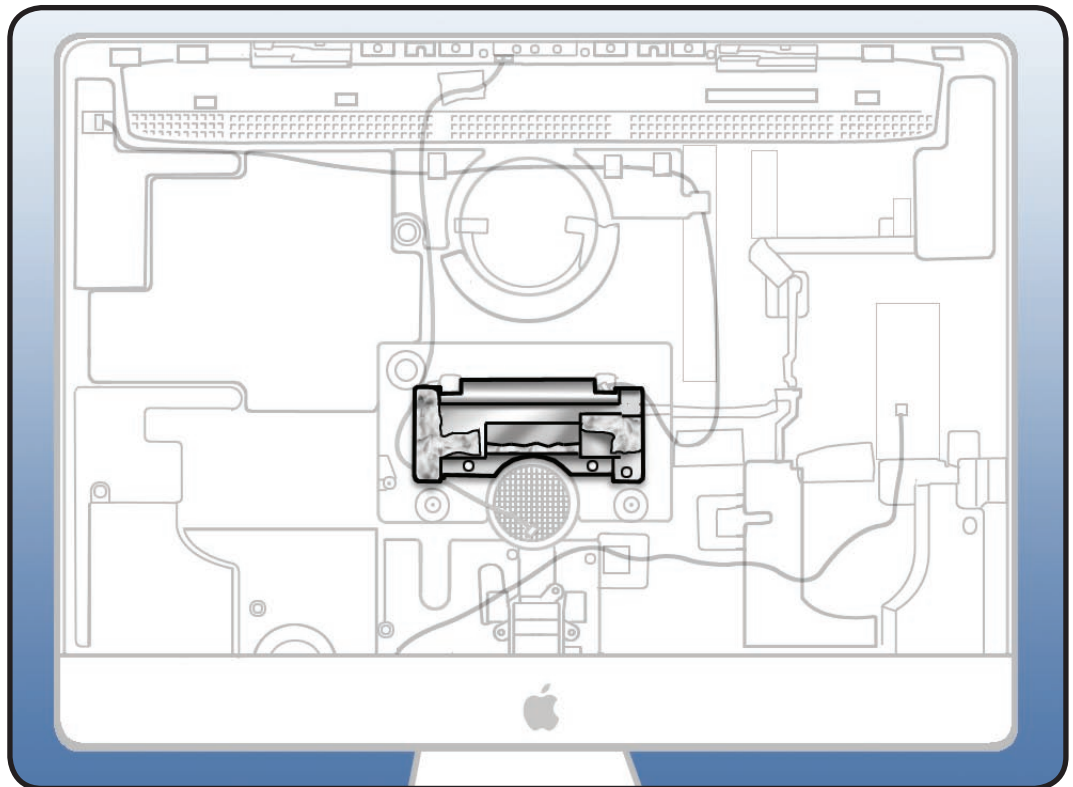


Mechanism Cover

First Steps

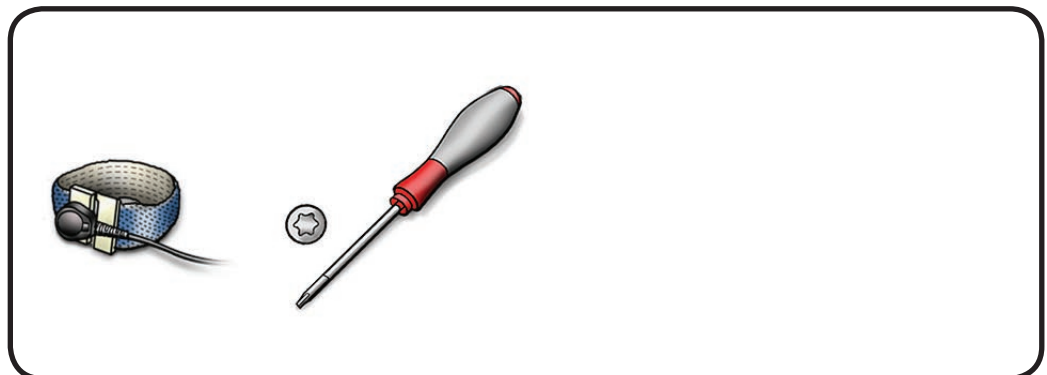
Remove

- Glass panel
- LCD panel
- Optical drive
- Optical fan
- Power supply
- IR board
- Logic board
- Hard drive fan
- Optical pressure wall



Tools

- ESD-wrist strap and mat
- Magnetized Torx T10 screwdriver





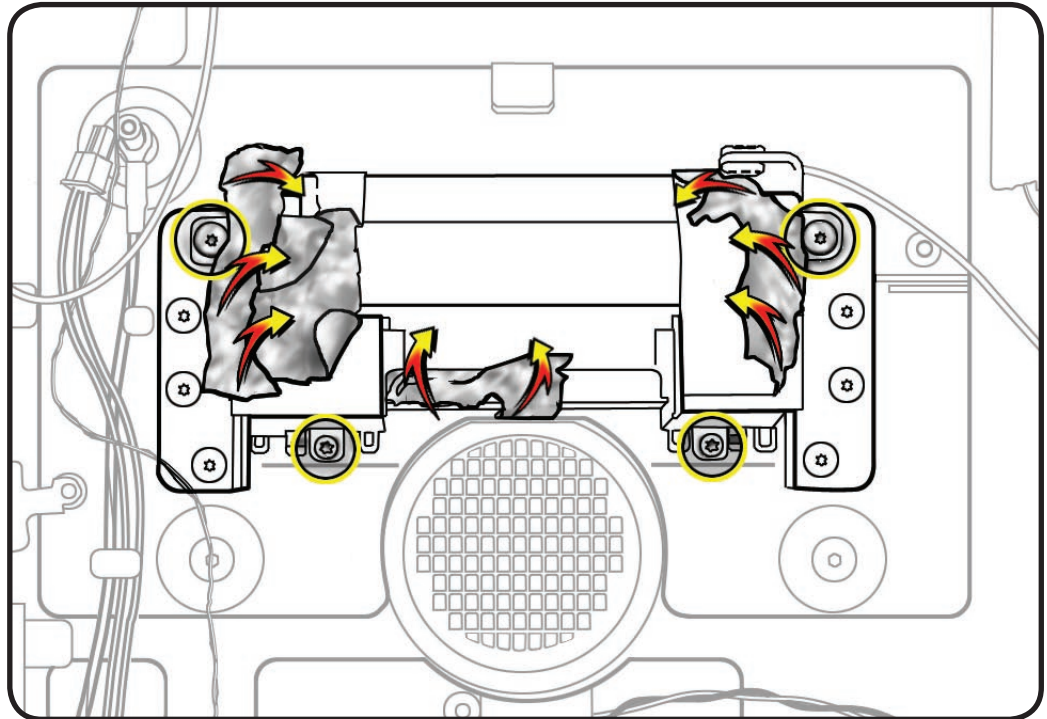
Removal

- 1 Peel up EMI tape.
- 2 Remove 4 T10 screws; two at the top (bigger screws) and two at the bottom.

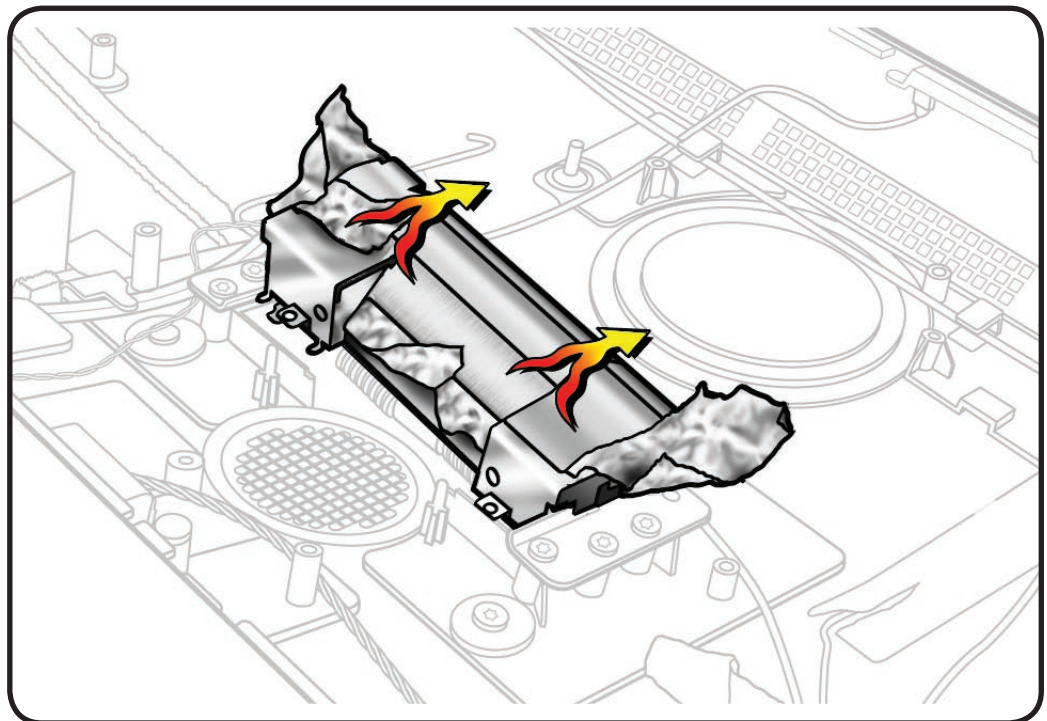
- (2) 922-6800



- (2) 922-9238



- 3 Pry cover off mechanism.



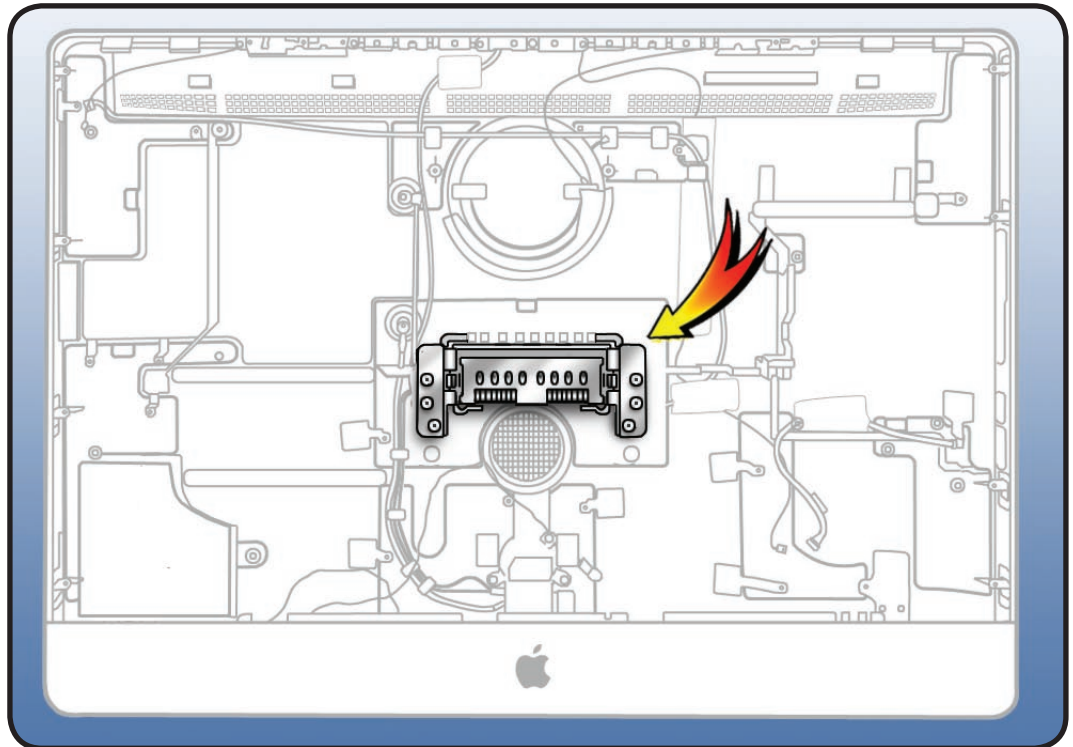


Mechanism

First Steps

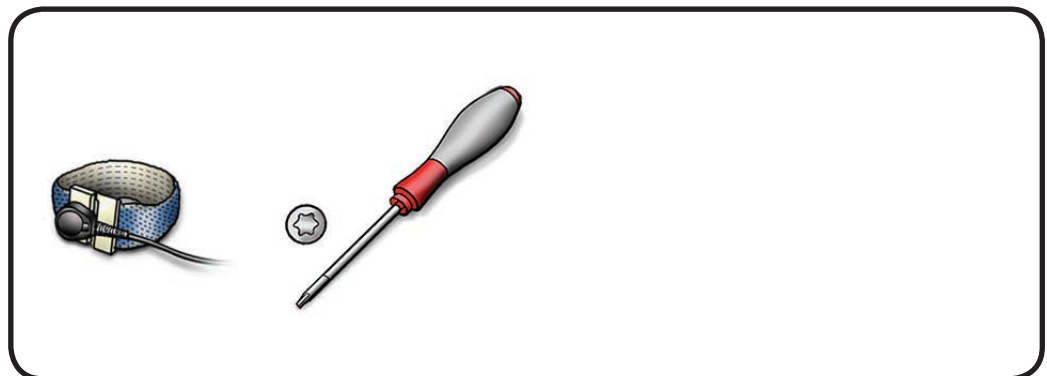
Remove

- Glass panel
- LCD panel
- Optical drive
- Optical fan
- Power supply
- IR board
- Logic board
- Hard drive fan
- Optical pressure wall
- Mechanism cover
- Stand



Tools

- Magnetized Torx T10 screwdriver
- ESD-wrist strap and mat



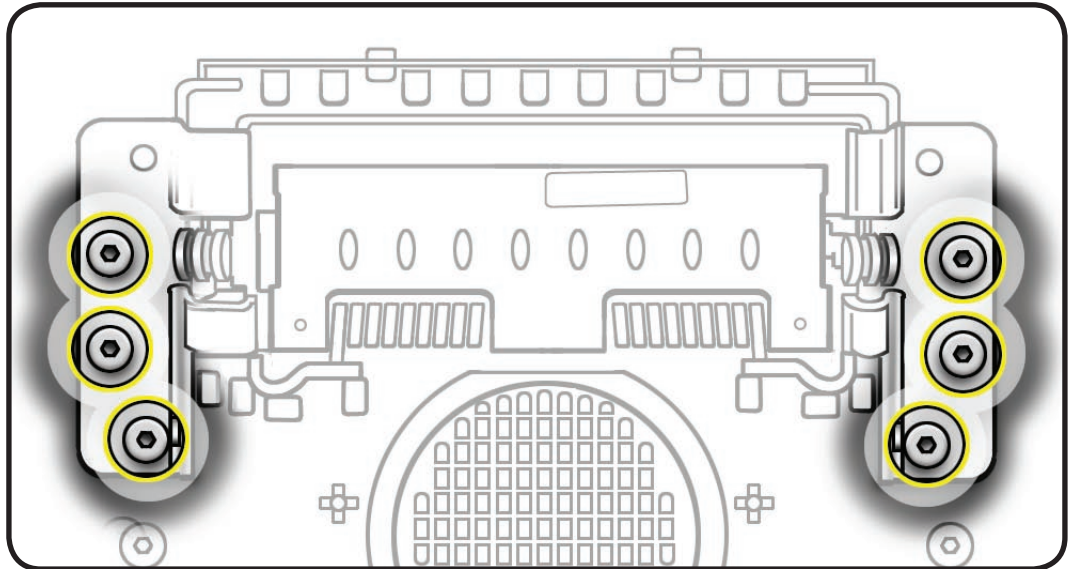


Removal

- 1 Remove 6 T10 screws:
 - 922-9238



- 2 Lift mechanism off rear housing.



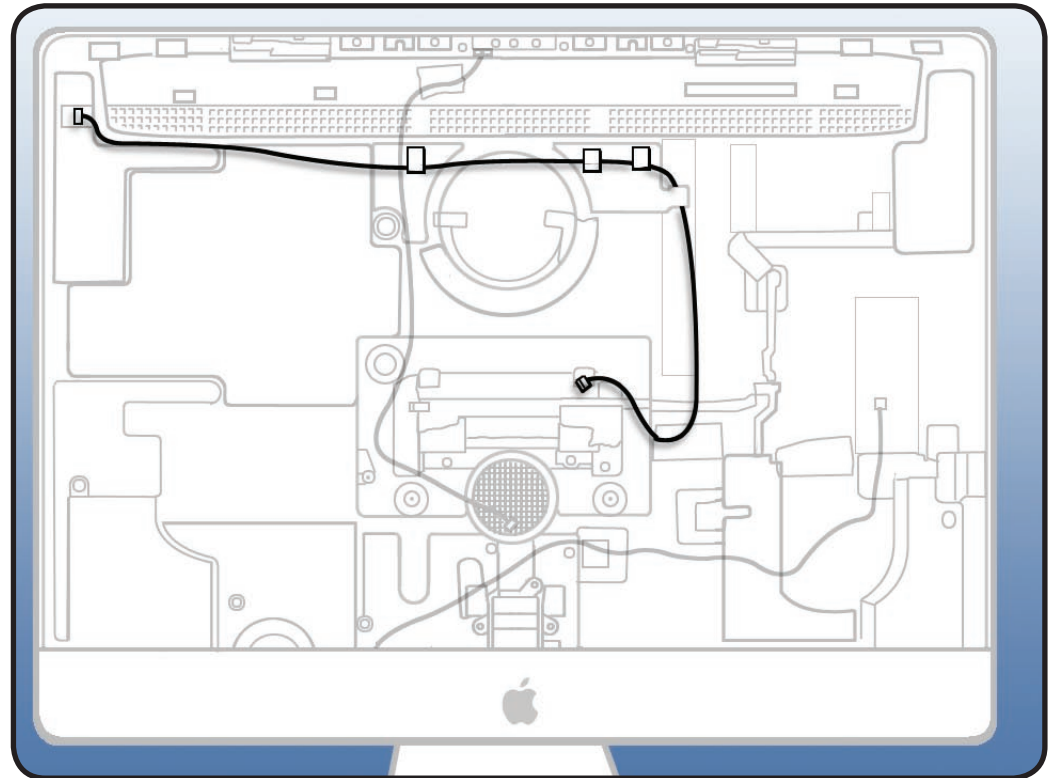


Bluetooth Cable

First Steps

Remove

- Glass panel
- LCD panel
- Backlight board
- Power supply
- AirPort carrier card
- Optical drive
- Optical fan
- IR board
- Logic board



Tools

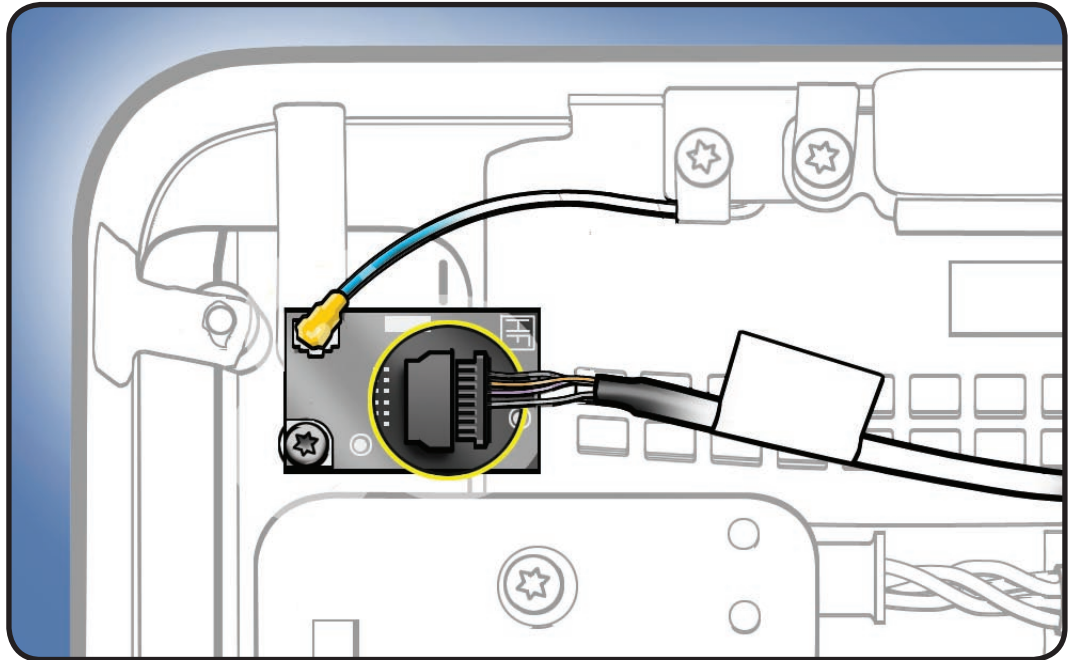
- ESD-wrist strap and mat





Removal

- 1 Disconnect the black Bluetooth cable from Bluetooth board

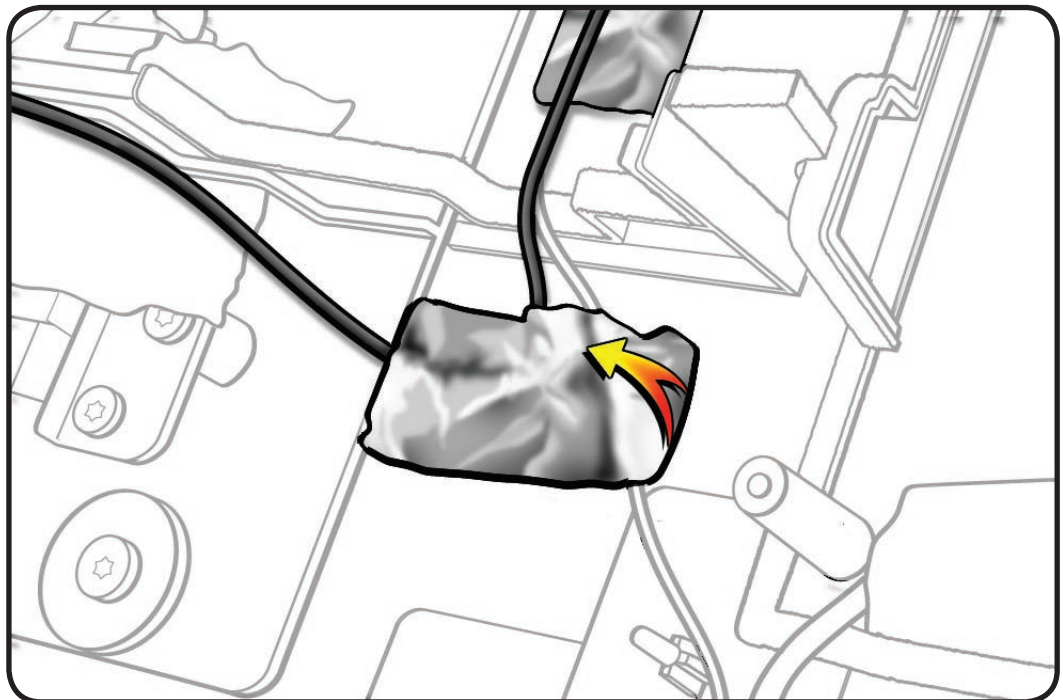


- 2 Follow cable along to the right. To the right of the mechanism, peel back EMI tape securing Bluetooth cable to rear housing.

- 3 Lift cable from rear housing.

Replacement Note:

The cable routes over the notch of the optical pressure wall and connects to the top of the logic board.



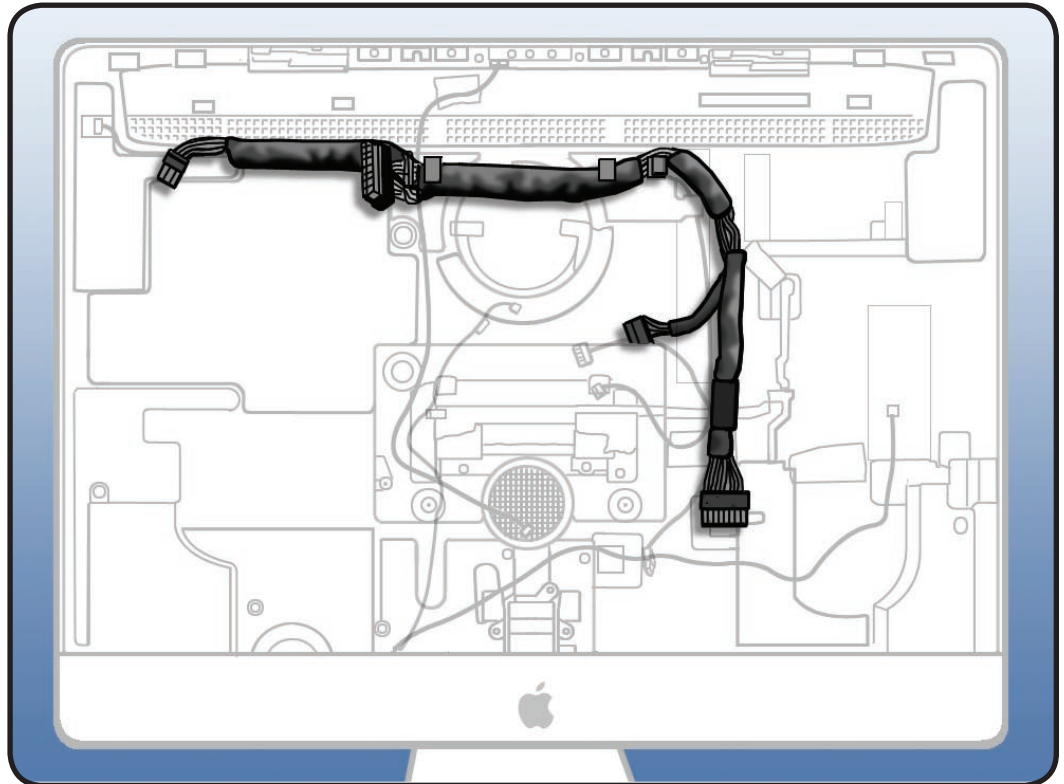


Cable, AC/DC Power/Backlight/ SATA

First Steps

Remove

- Glass panel
- LCD panel
- Backlight board
- Power supply
- AirPort carrier card
- Hard drive
- Optical drive
- Optical fan
- IR board
- Logic board



Tools

- ESD-wrist strap and mat

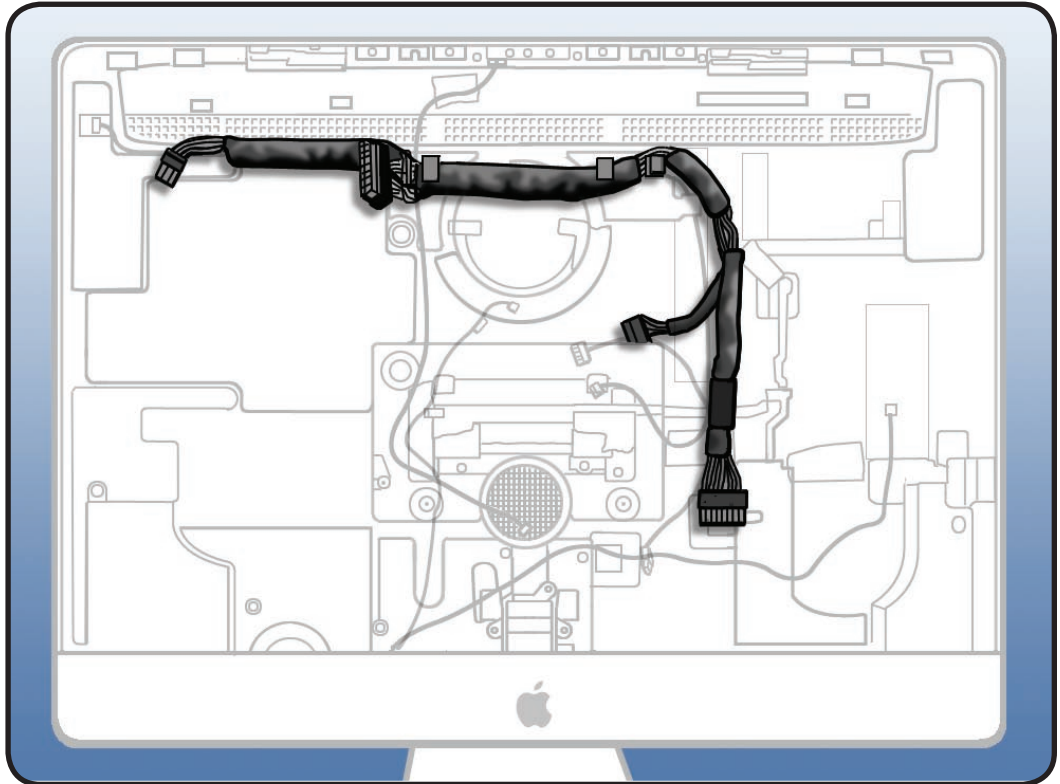




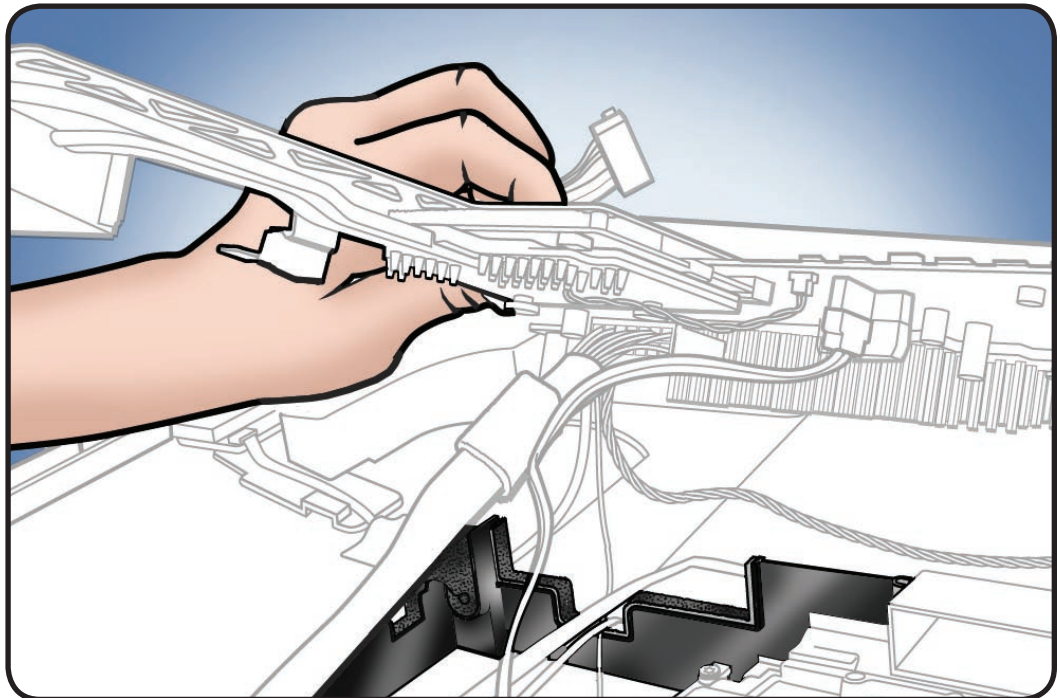
Removal

- 1 Release cable from black cable clips and lift out of rear housing.

Observe cable routing for reassembly.



Replacement Note: The cable rests in the lower notch on the optical pressure wall.



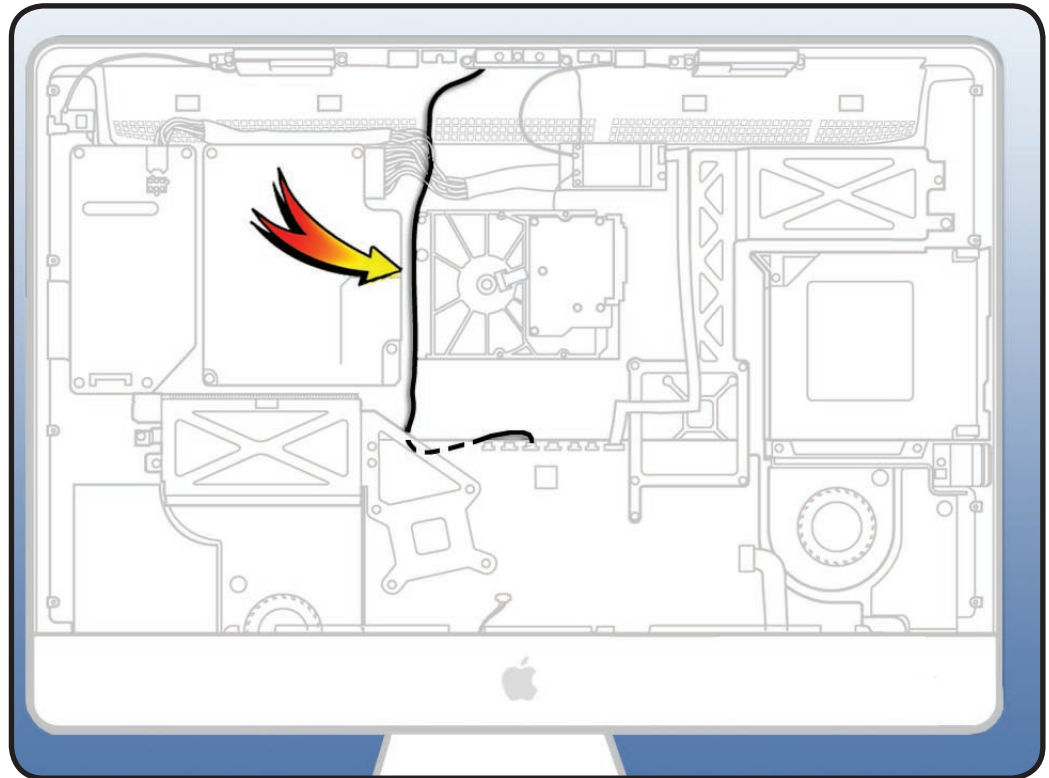


Camera Cable

First Steps

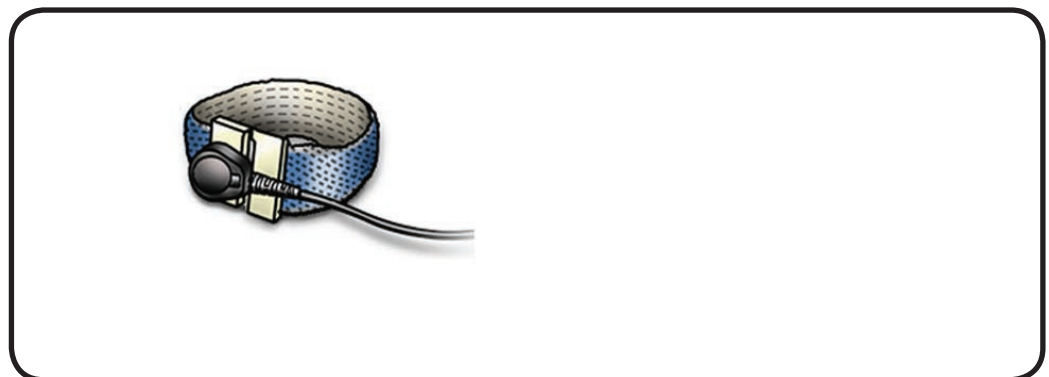
Remove

- Glass panel
- LCD panel
- Camera
- Hard drive
- Power supply
- Power supply pressure wall



Tools

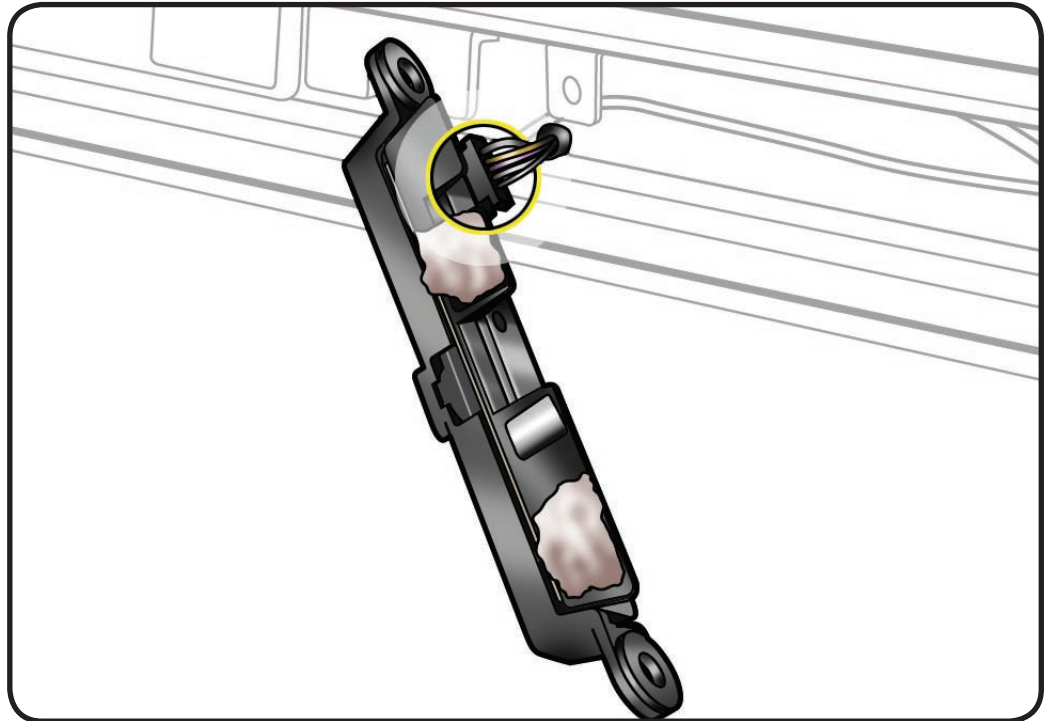
- ESD-wrist strap and mat



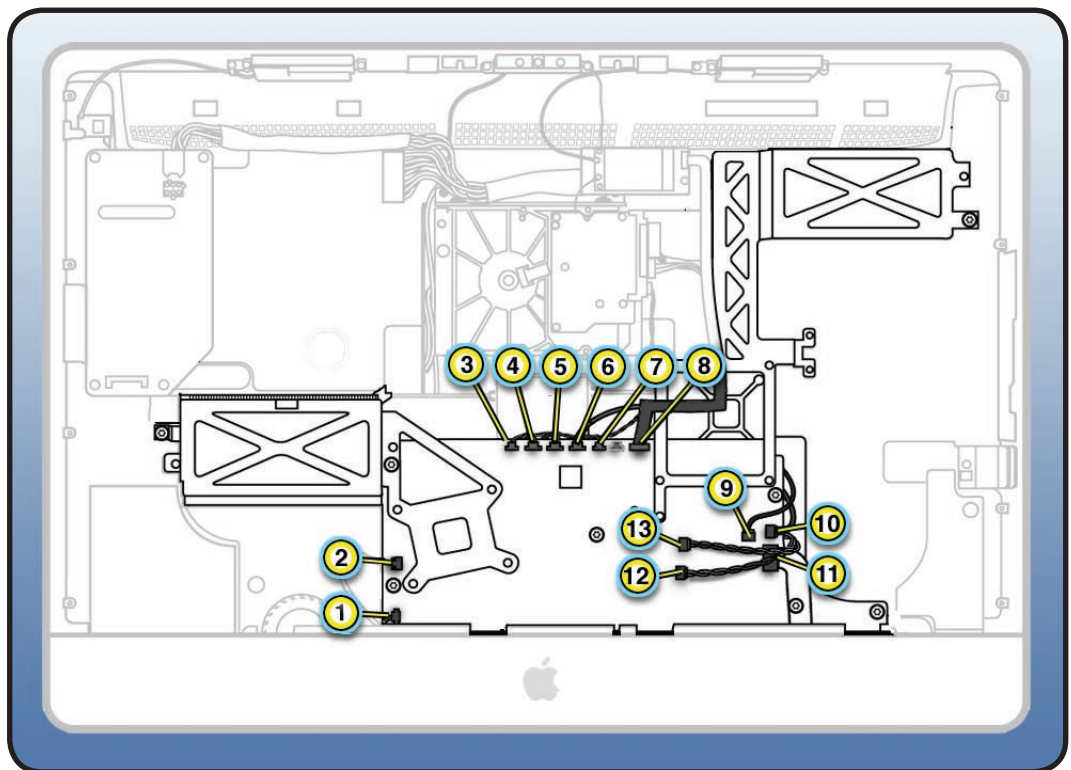


Removal

- 1 Disconnect camera cable from camera board at top of rear housing.



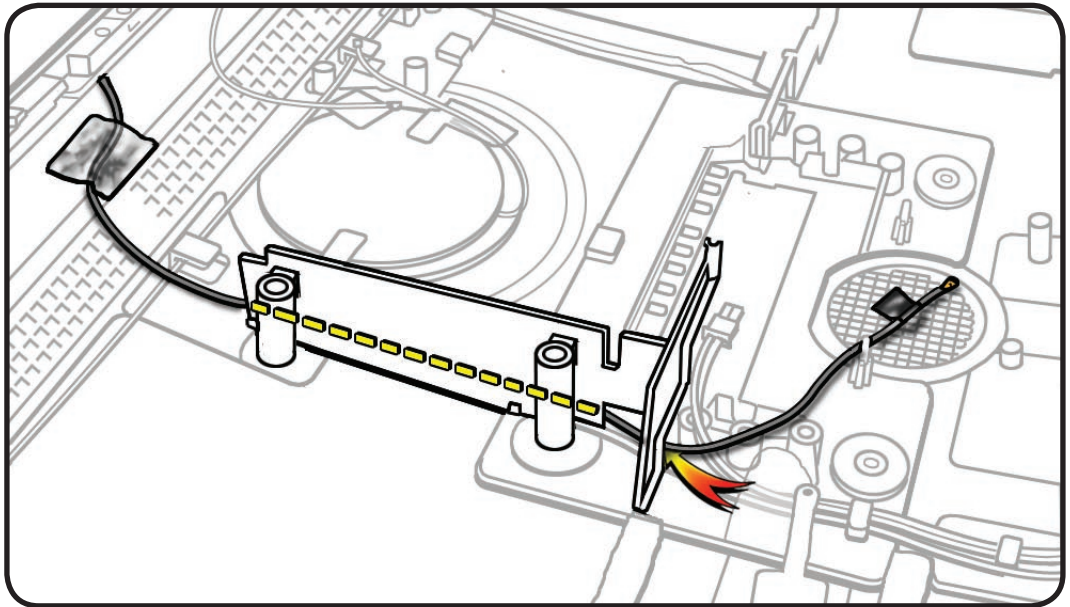
- 2 Disconnect camera cable (#5) from the top of logic board.





- 3** Remove EMI tape at top of camera cable. Lift pressure wall to remove camera cable from rear housing.

Replacement Note:
The camera cable runs along the right side of the pressure wall, next to the hard drive and through the lower notch in the pressure wall.



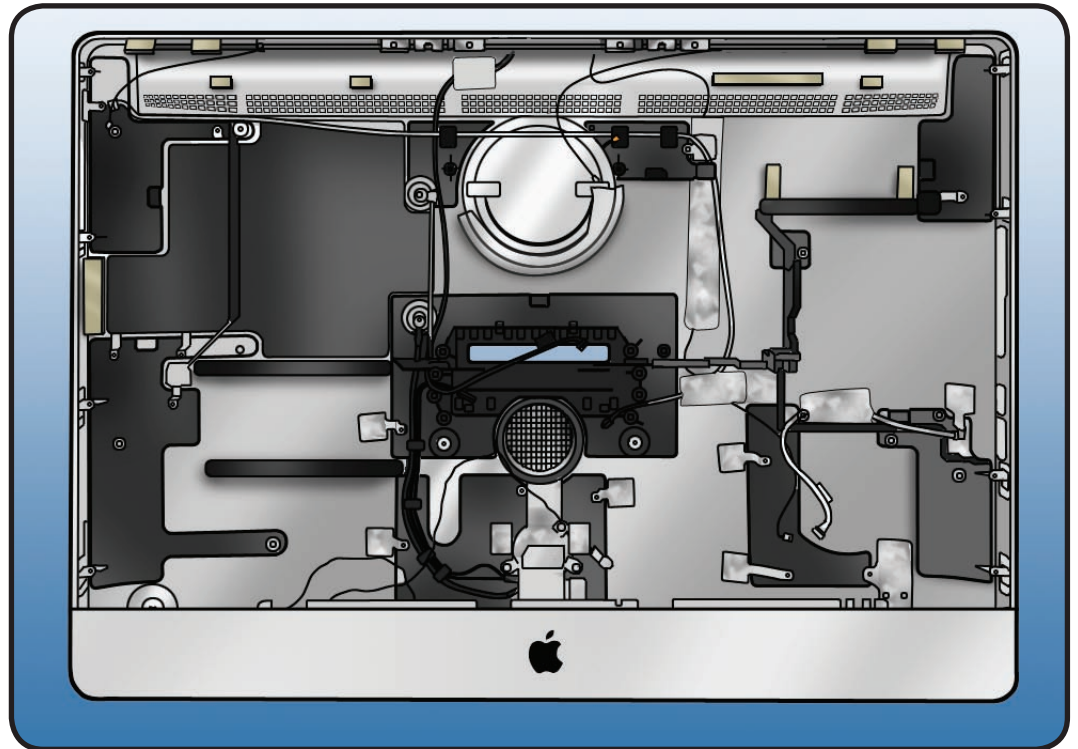


Microphone Cable

First Steps

The microphone cable is part of the rear housing and is not available as a separate part.

Follow the rear housing procedure if the microphone needs to be replaced.





Rear Housing

First Steps

With all other modules removed (except the parts mentioned below), the rear housing is the remaining assembly.

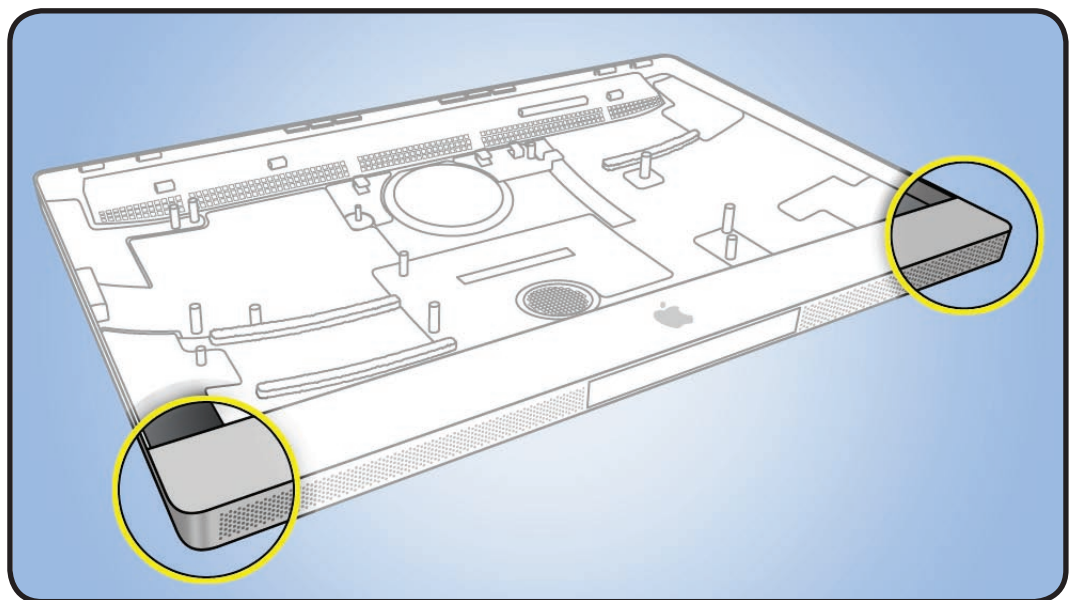
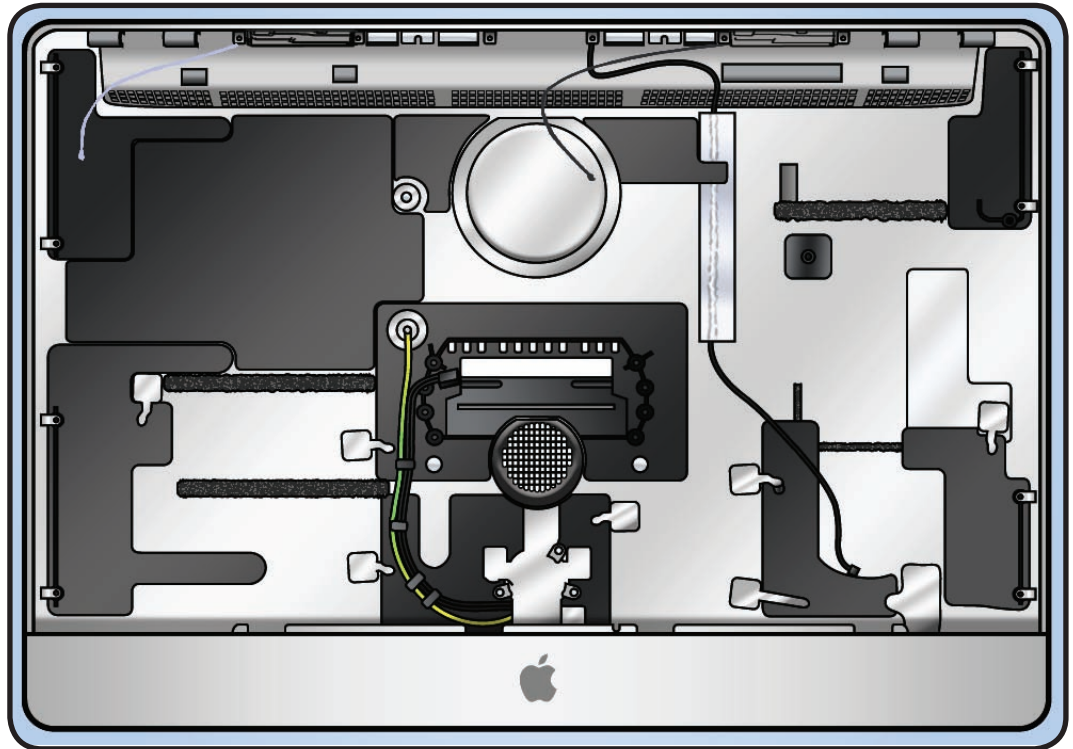
A new rear housing includes the following parts, which are not available separately (unless noted):

- microphone and cable
- power button and cable
- AC inlet
- AirPort antenna behind Apple logo
- AirPort antenna (available separately)
- Bluetooth antenna (available separately)

Important: Handling rear housing part incorrectly could flex aluminum and cause alignment issues.

Always handle rear housing with 2 hands in the lower left and right corners.

Never carry rear housing with a single hand, or by holding the aluminum near the Apple logo.

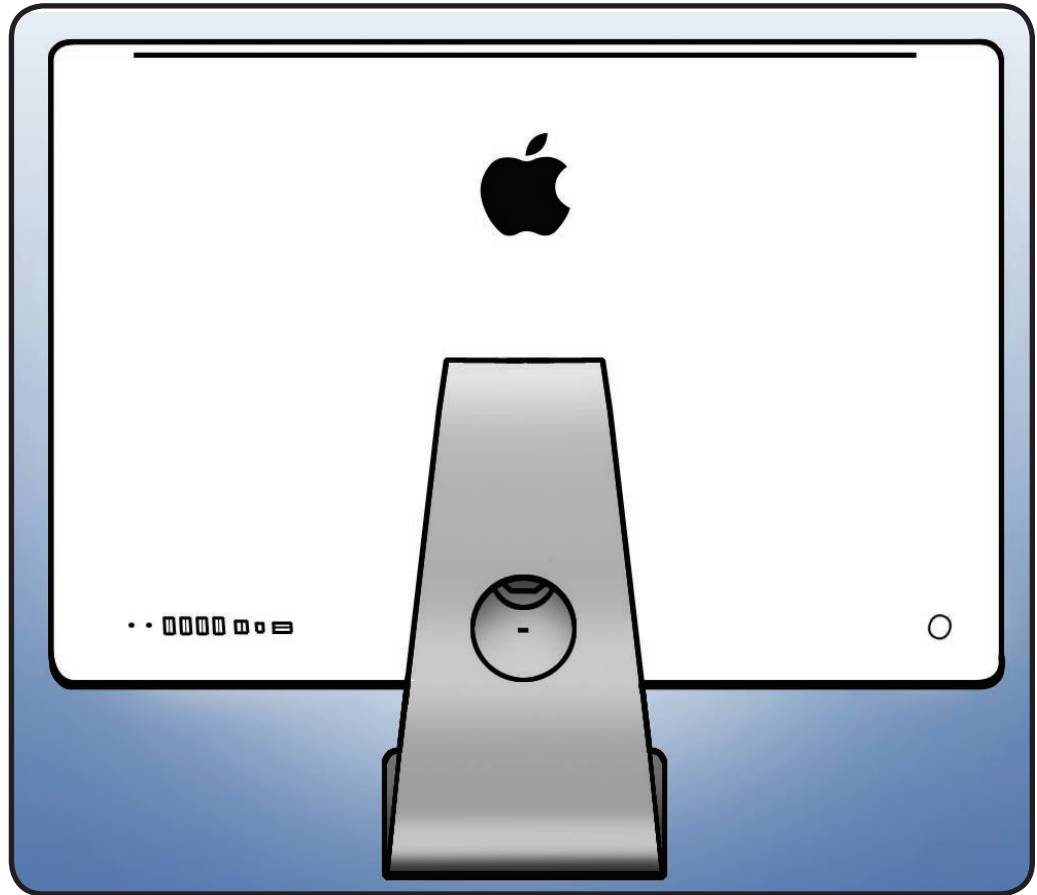




Stand

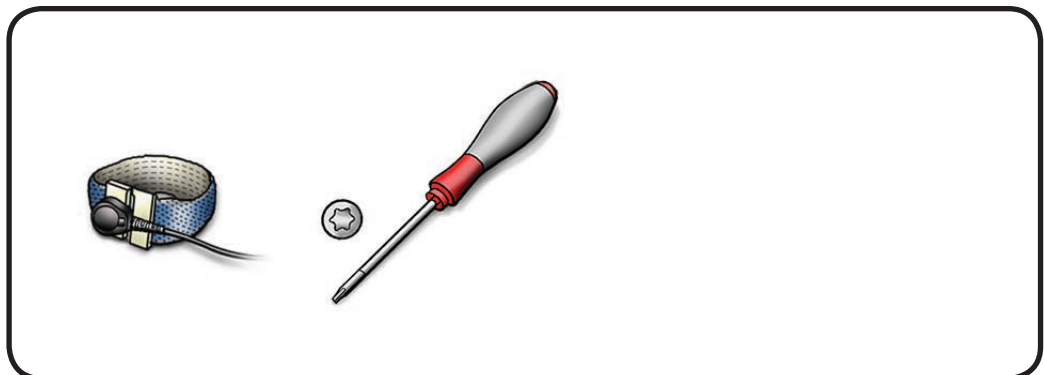
First Steps

No preliminary steps are required to remove the stand.



Tools

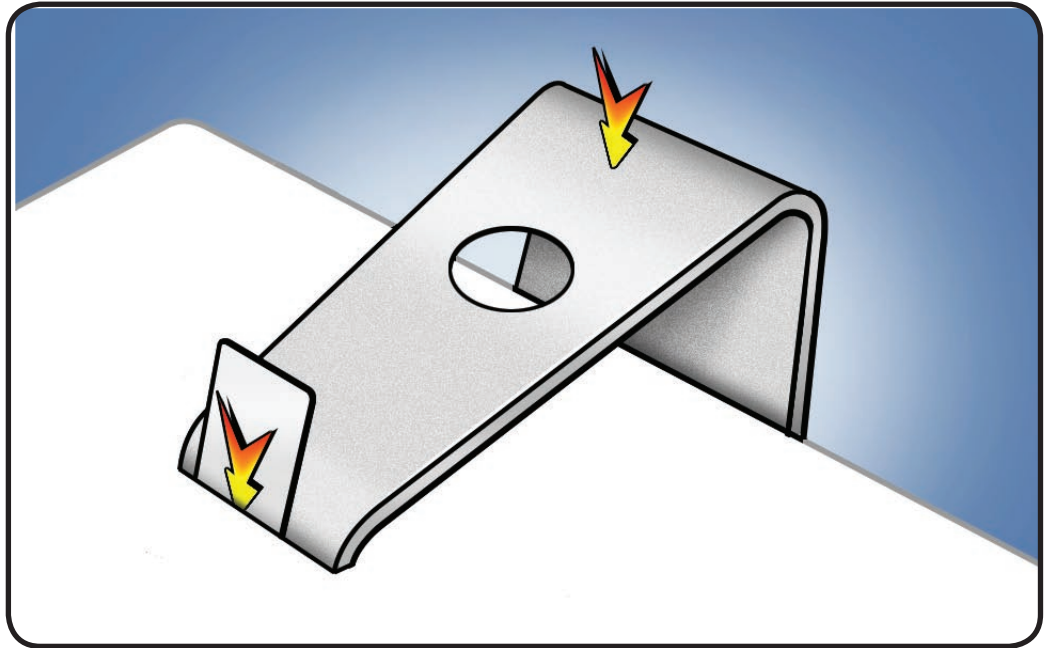
- Torx T10 screwdriver
- Access card to lock/unlock the stand
- ESD-wrist strap and mat



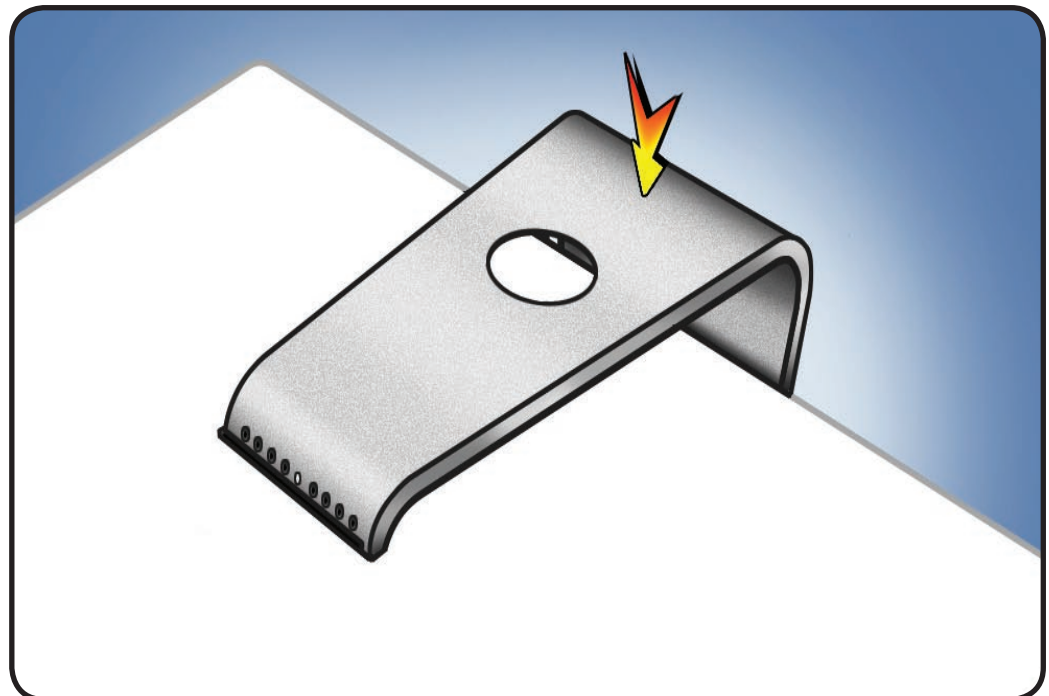


Removal

- 1 Place the computer face down on a table so that the base of the stand extends over the table edge.
- 2 Press the stand down and insert an access card into the slot between the top of the stand and the rear housing.



- 3 Insert the card as far as it will go, and press the stand down until you hear a click—the audible cue that tells you that the stand is locked into place.
- 4 Remove the access card.

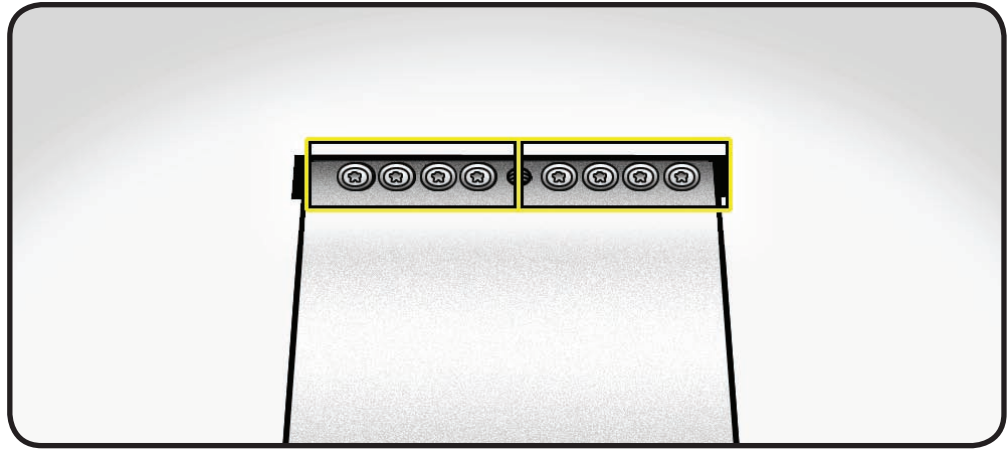




- 5** Remove 8 T10 screws.
• 922-8174

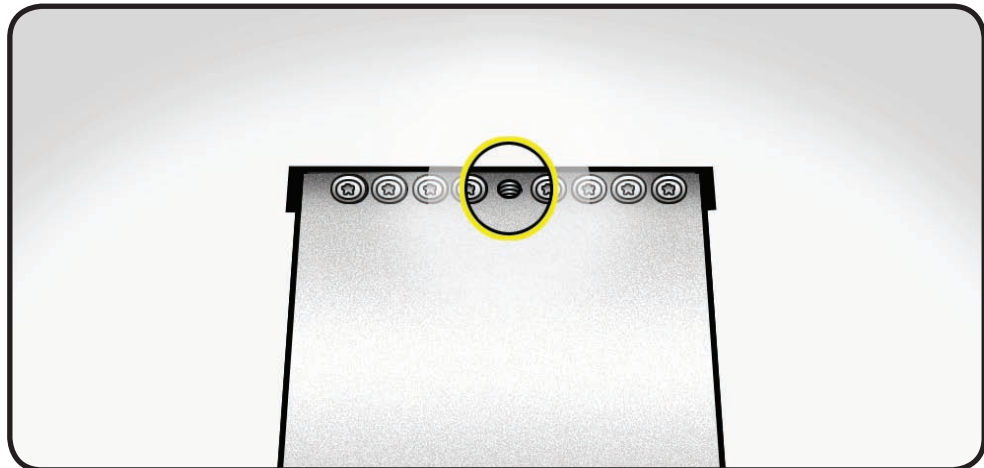


- 6** Separate the stand from the clutch mechanism.



Reassembly

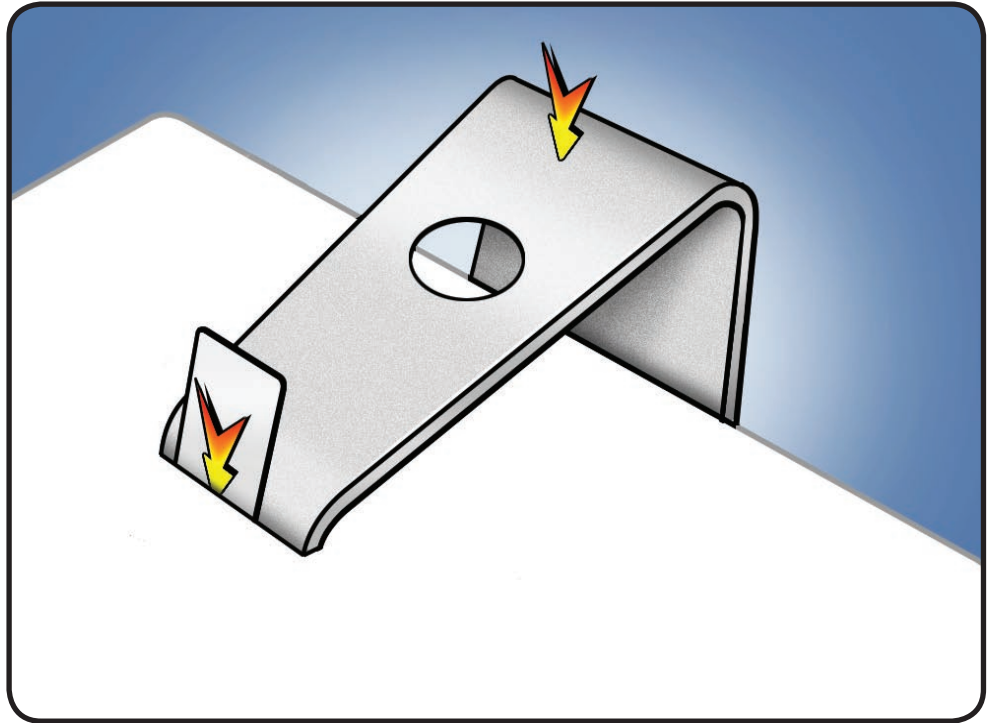
- 1** Align the pin on the clutch mechanism to the central hole in the stand.
- 2** Replace 8 T10 screws.
- 3** Place the computer face down on a table so that the base of the stand extends over the table edge. Press the stand down and insert an access card into the slot between the top of the stand and the rear housing.





- 4 Insert the access card as far as it will go. Gently lift the stand approximately two inches to unlock the clutch mechanism, and then remove the access card. The clutch mechanism should now be unlocked.

- 5 Stand the computer upright.



Additional Procedures

iMac (27-inch, Late 2009)



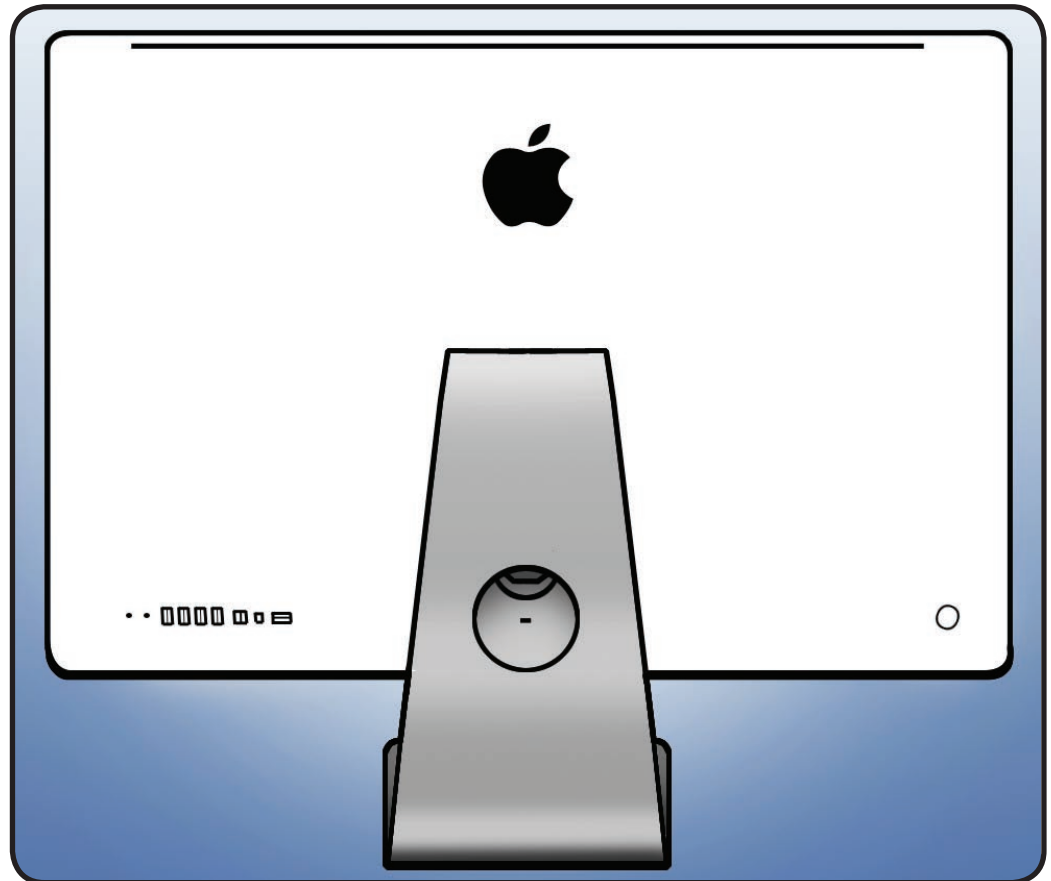
Retrieving Mechanism

Overview

Without a stand or VESA mount installed, the mechanism can retract inside the computer if an access card trips the latch that locks the mechanism.

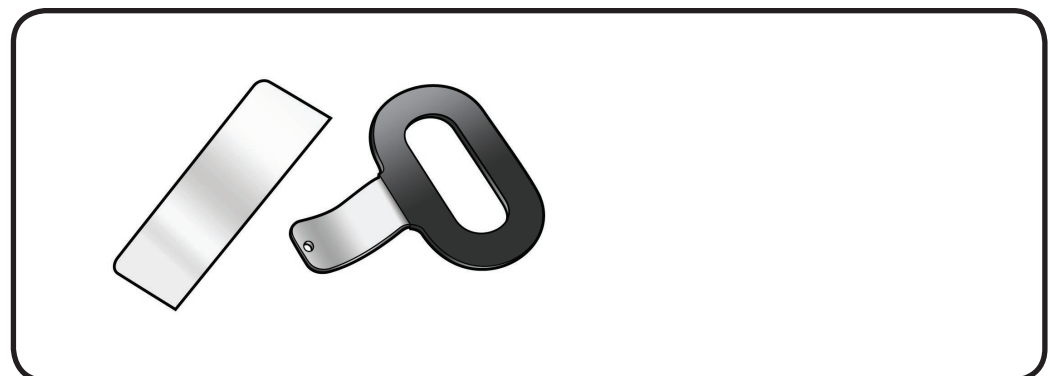
In the rare event that retrieving the mechanism is necessary, follow this procedure.

Note: You may notice small differences in appearance between the images in this procedure and the computer you are servicing. Although the appearance may differ, the steps and sequence are the same unless noted.



Tools

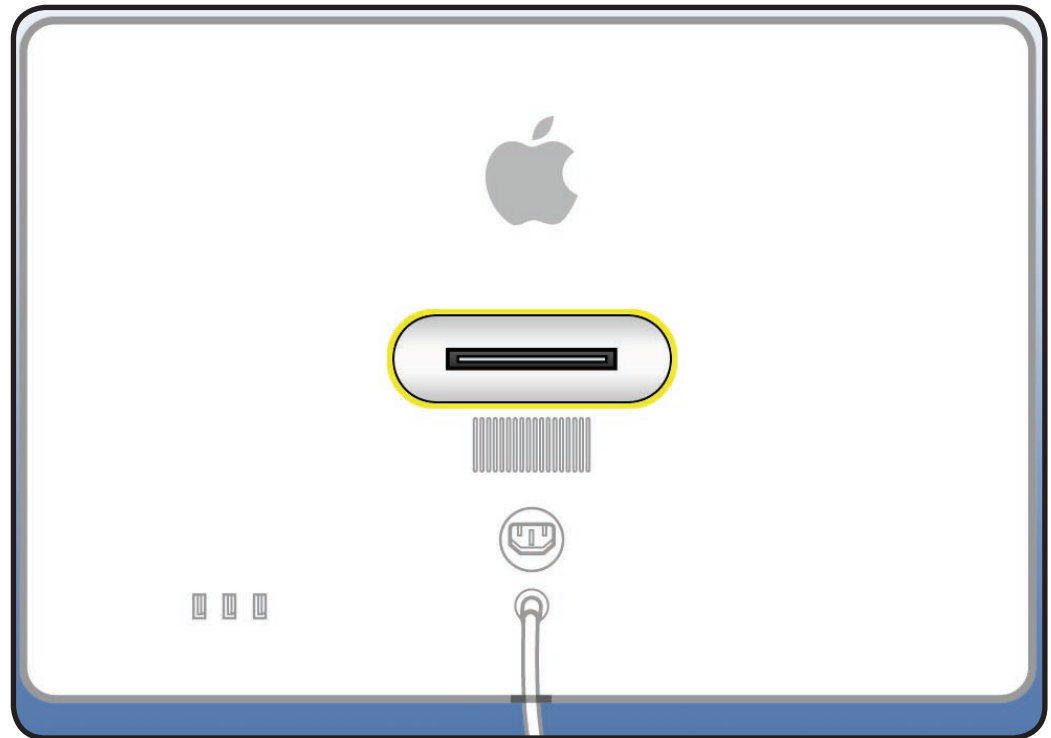
- Access card (Apple part #922-7172)
- Retrieval tool (Apple part #922-7849)
- Scissors to cut access card in half



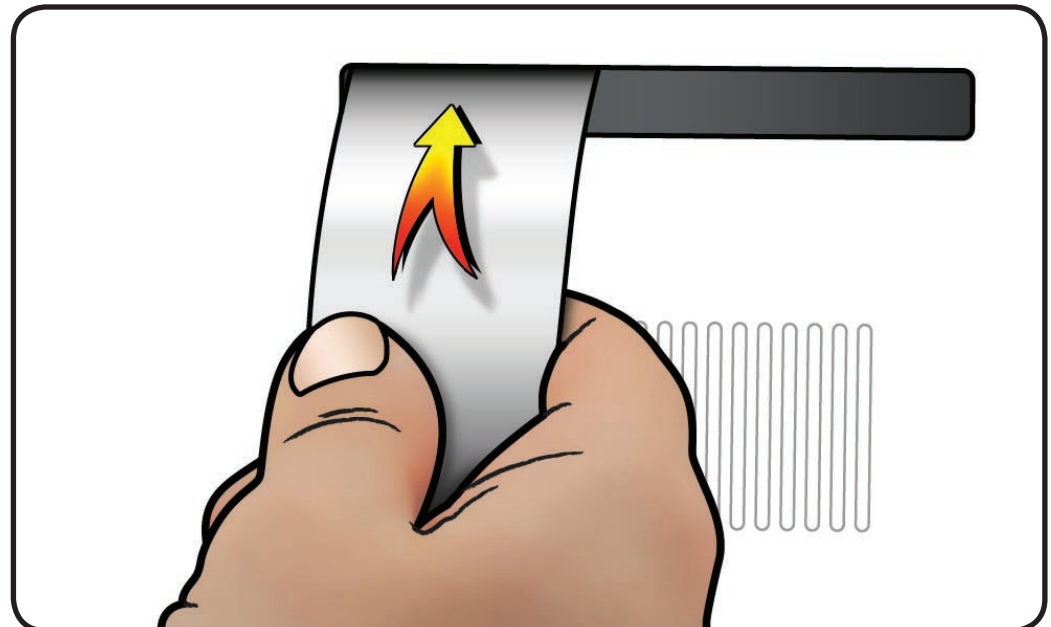


Removal

- 1 Place computer face down on a clean, soft surface.
- 2 Peer into stand slot to see recessed latch. Latch is a shiny metal spring clip located above mechanism that is almost as wide as stand slot.

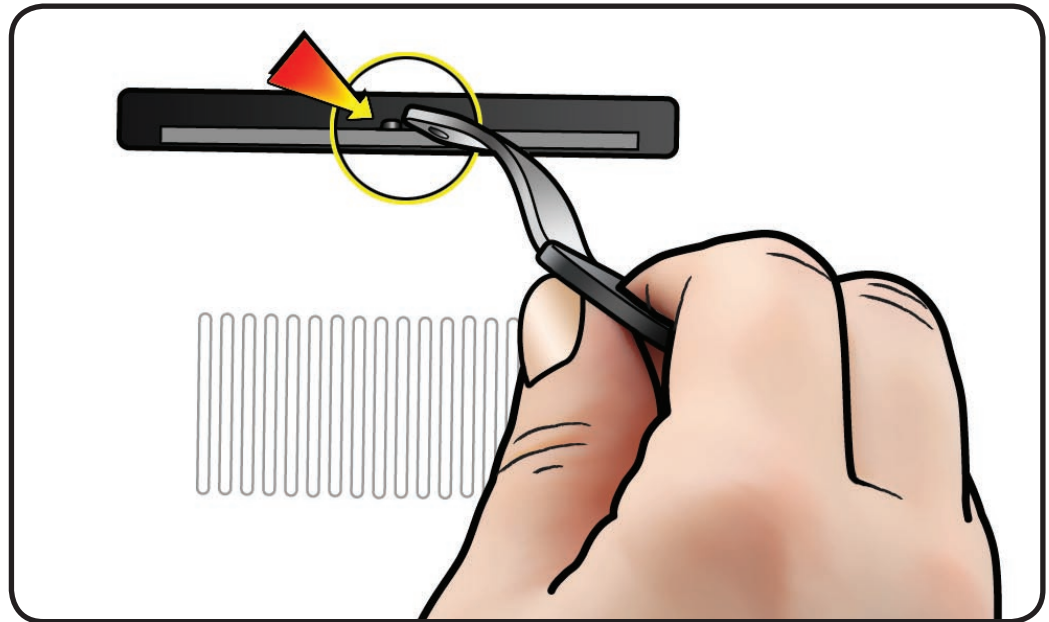


- 3 Cut access card in half vertically, into two equal halves.
- 4 Insert half of access card into one end of stand slot and push latch away to get a sense of how latch moves.





5 Notice shape of retrieval tool. When inserting retrieval tool, make sure curved end of tool is down, as shown.



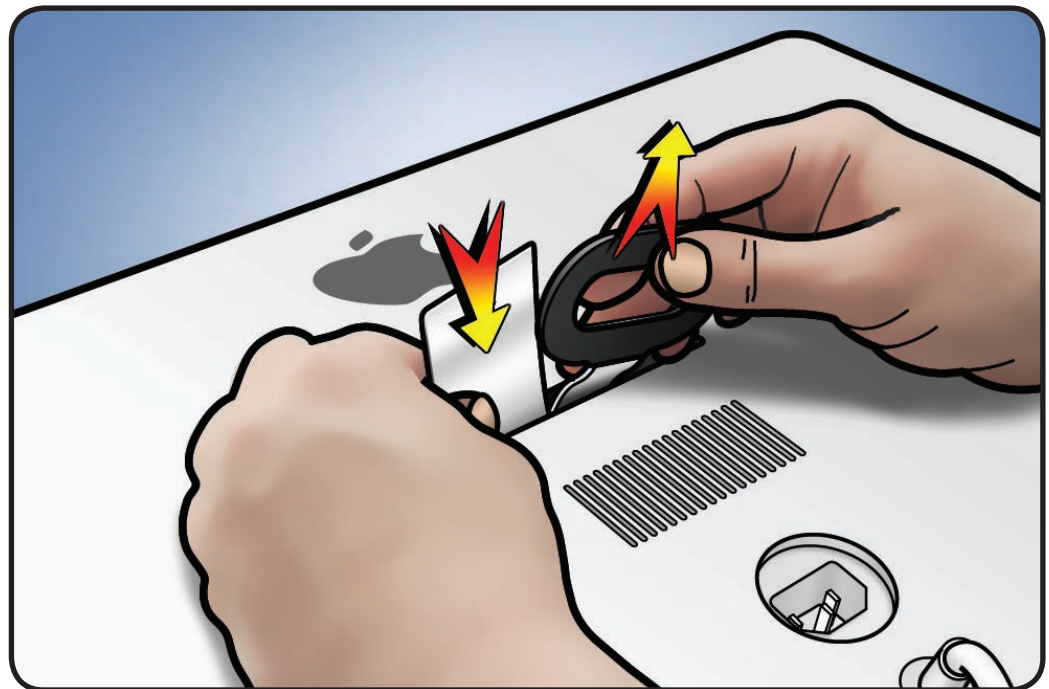
6 The small hole on end of retrieval tool will hook onto pin on recessed mechanism.

7 Hold access card so latch is pushed as far as possible.

8 Align retrieval tool over pin on mechanism.

9 Have an assistant hold computer down firmly as you simultaneously push latch away and pull mechanism towards you.

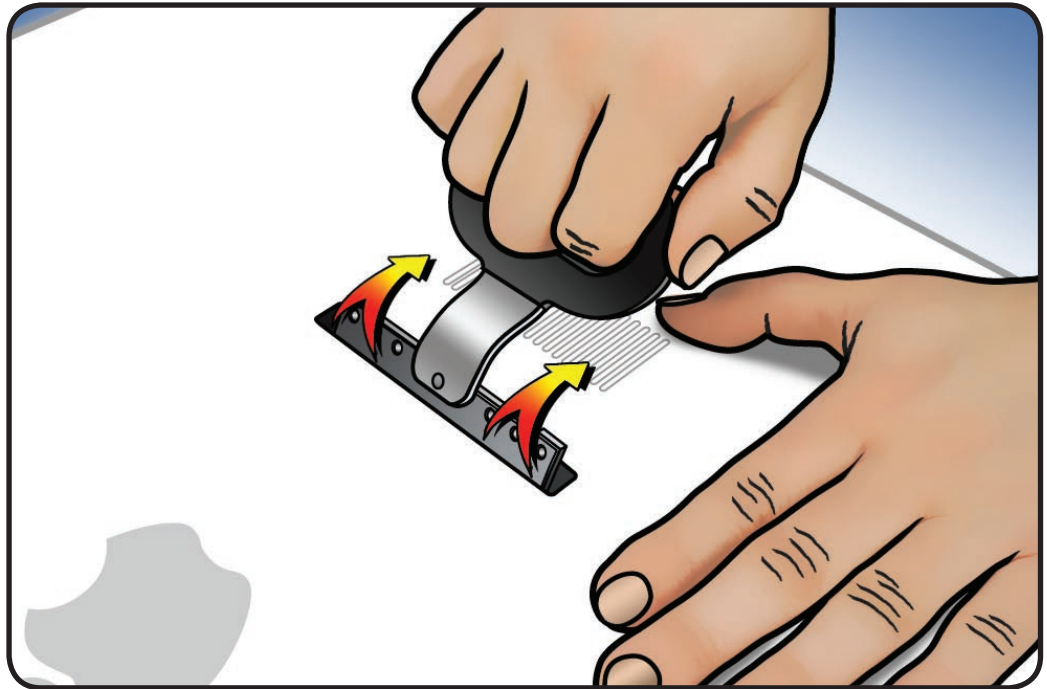
Note: There is a lot of tension on mechanism and it will take a lot of force to pull it up.



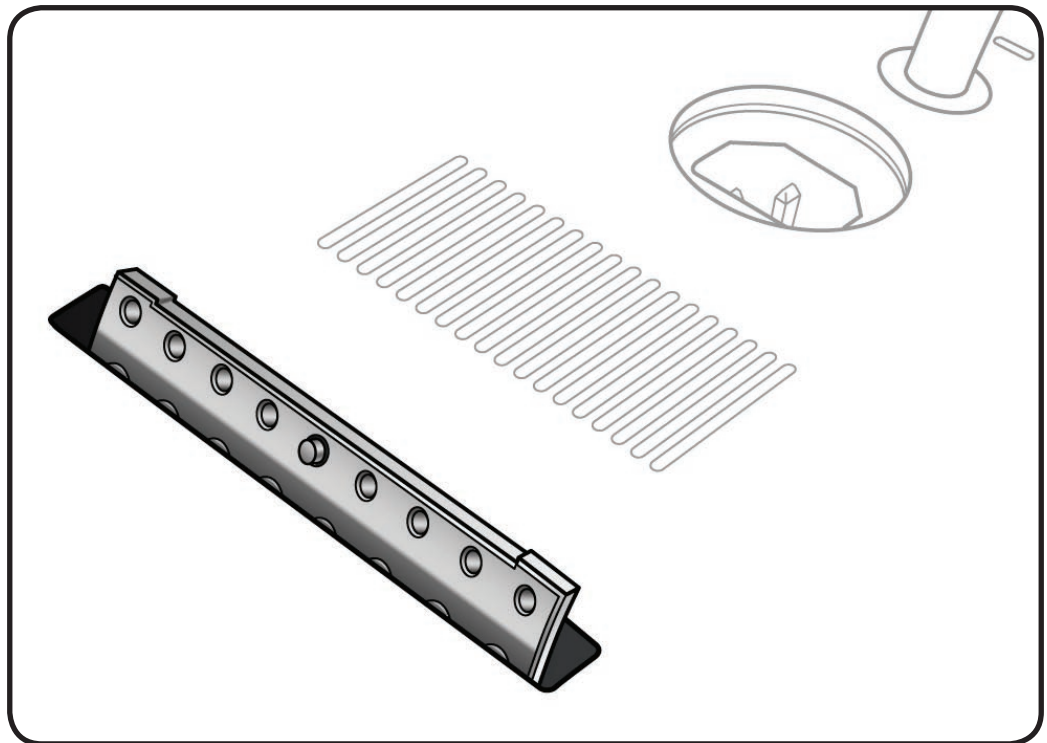


10 When you can pull up mechanism and see it emerge through slot, maintain pull force on retrieval tool, but remove access card.

11 Pull up mechanism until it clicks or locks into place.



12 Mechanism is now ready to accept installation of stand or VESA mount.



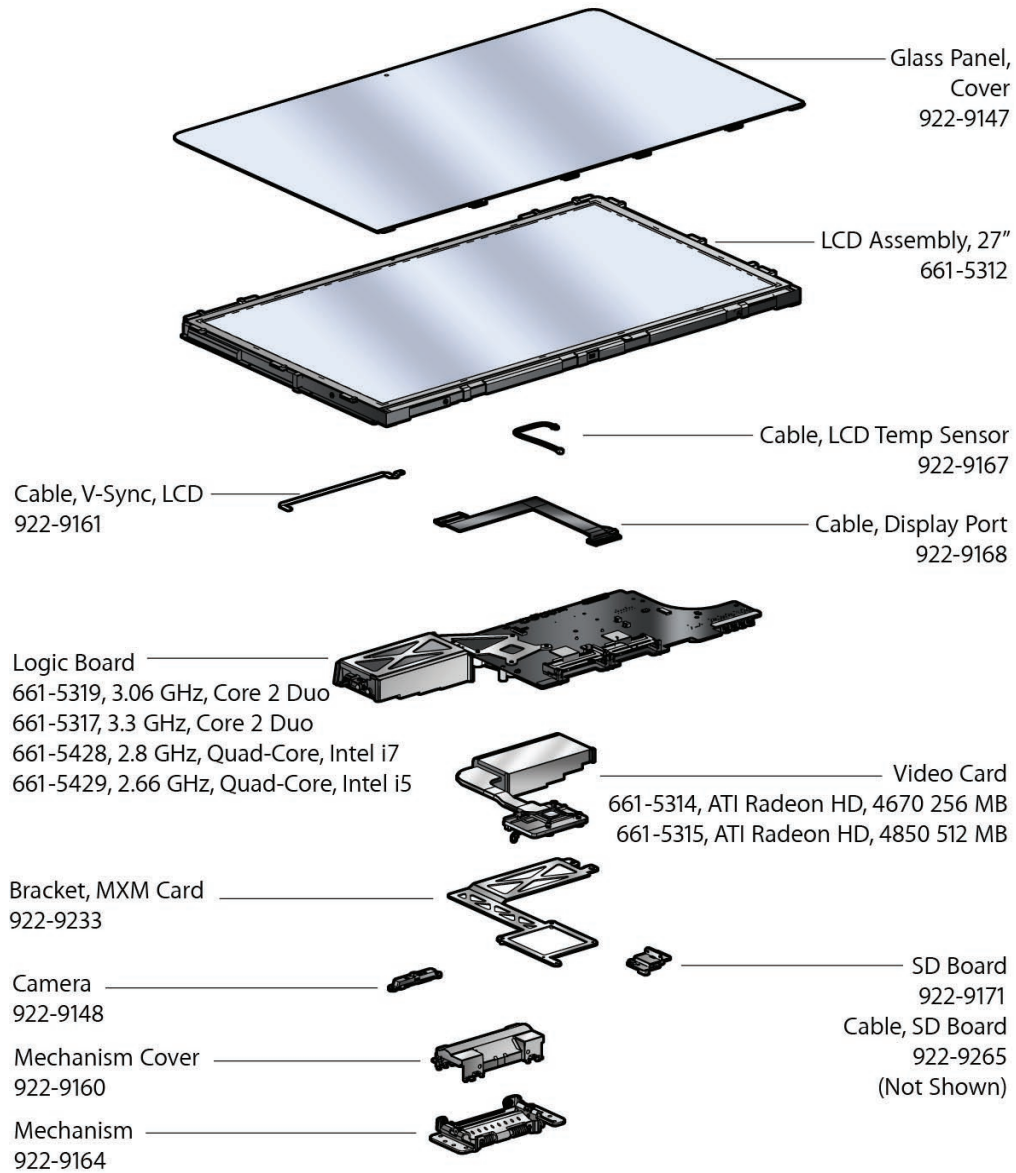
Views

iMac (27-inch, Late 2009)



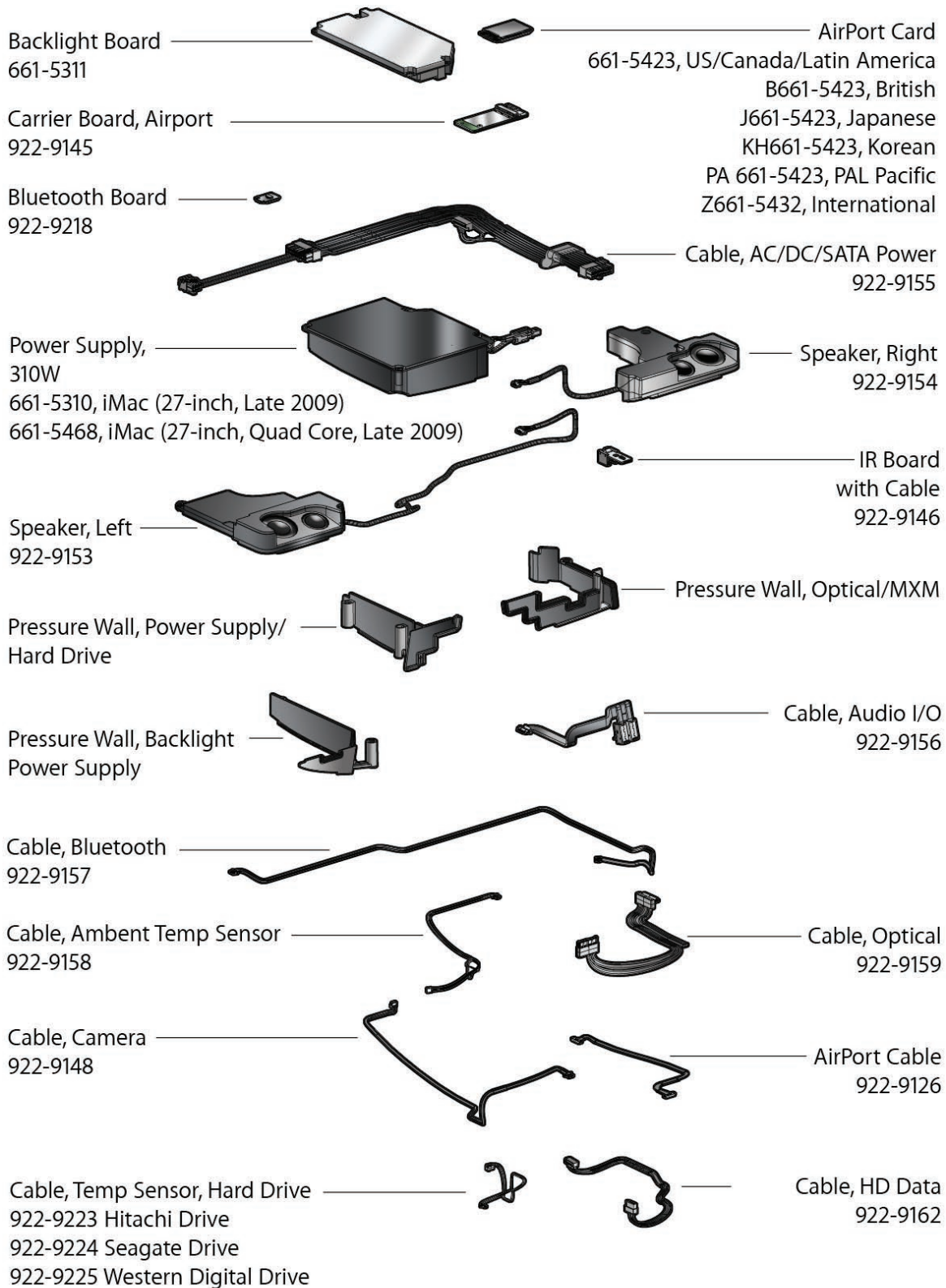
Exploded Views

Exploded View #1



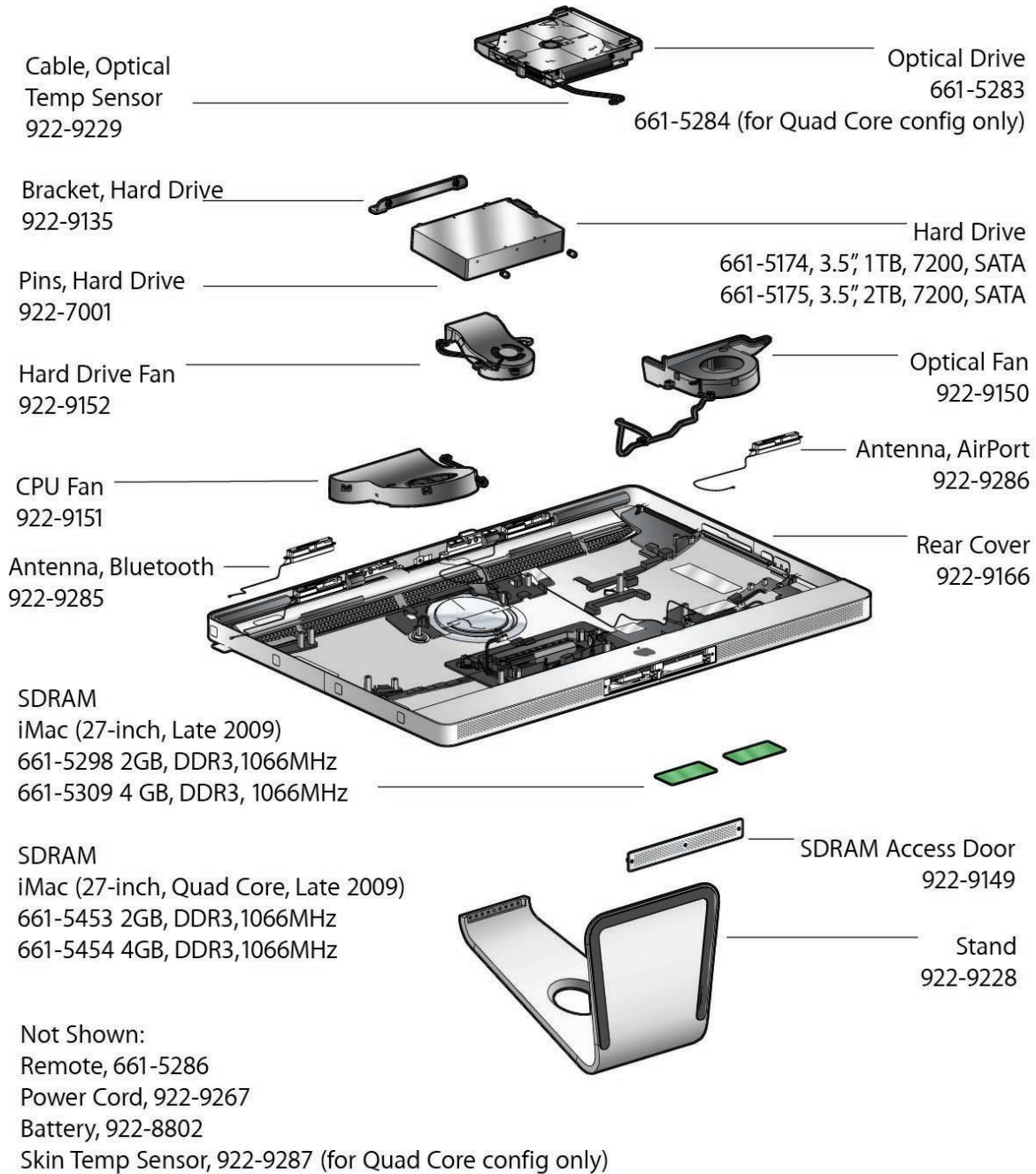


Exploded View #2





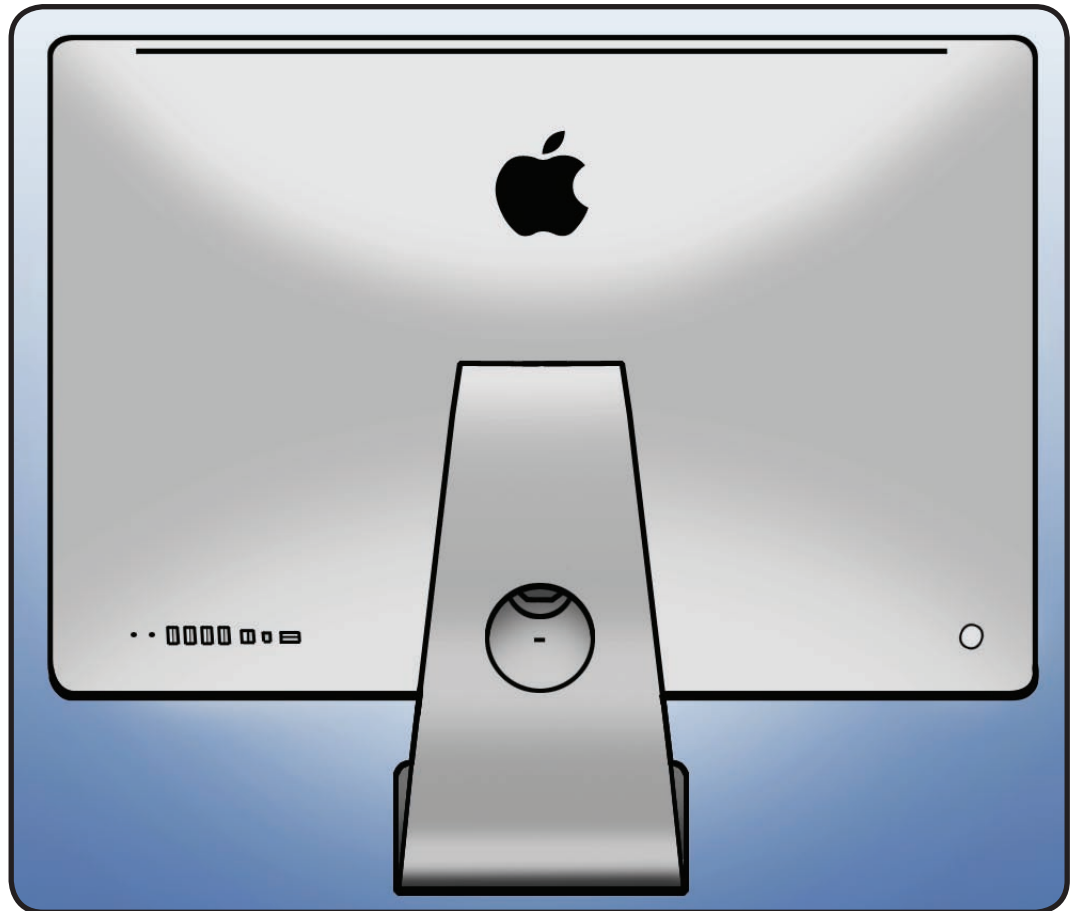
Exploded View #3





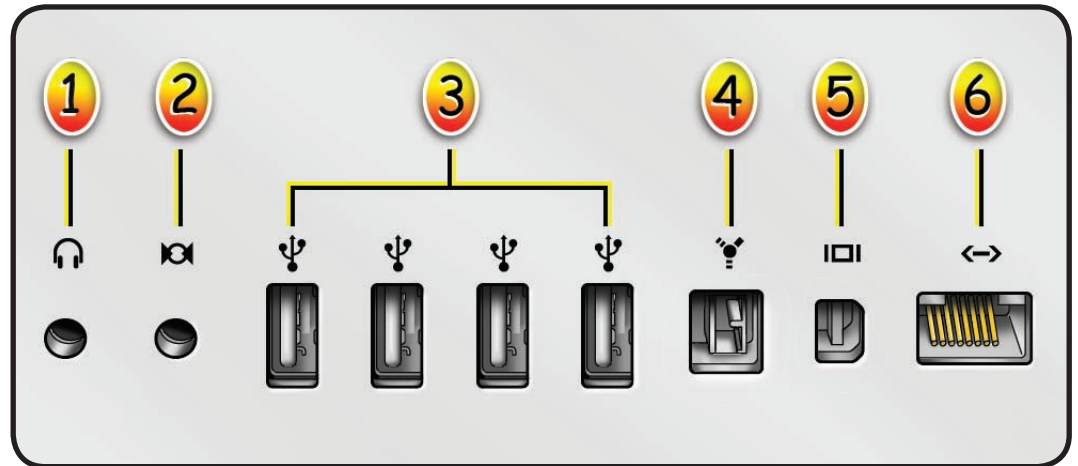
External Views

Rear View





Ports



1 - Headphone out/optical digital audio out port

2 - Audio in/optical digital audio in port

3 - USB 2.0 ports (4)

4 - FW 800 port

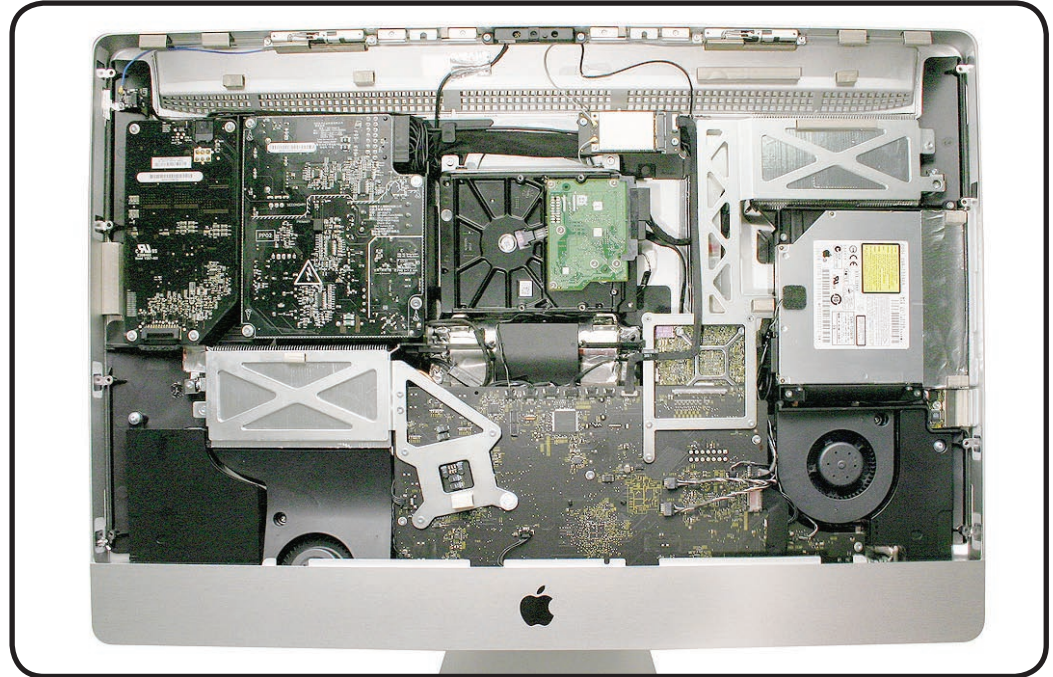
5 - Mini DisplayPort

6 - Ethernet port (10/100/1000 Base-T)

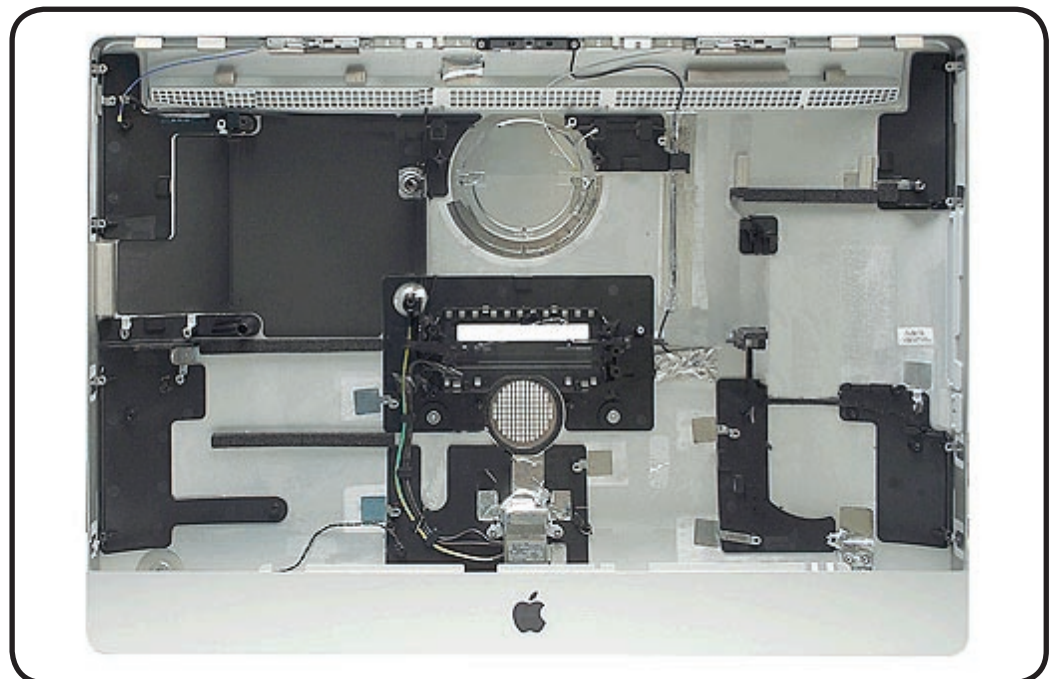


Internal Views

Components Below LCD

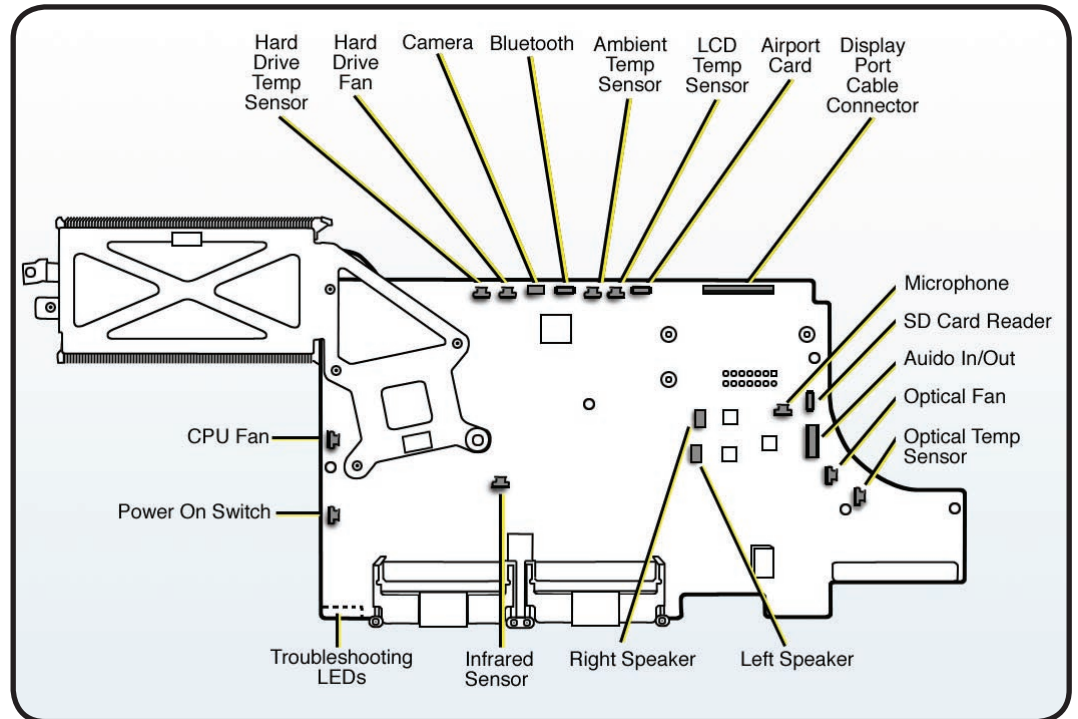


Inside Rear Housing

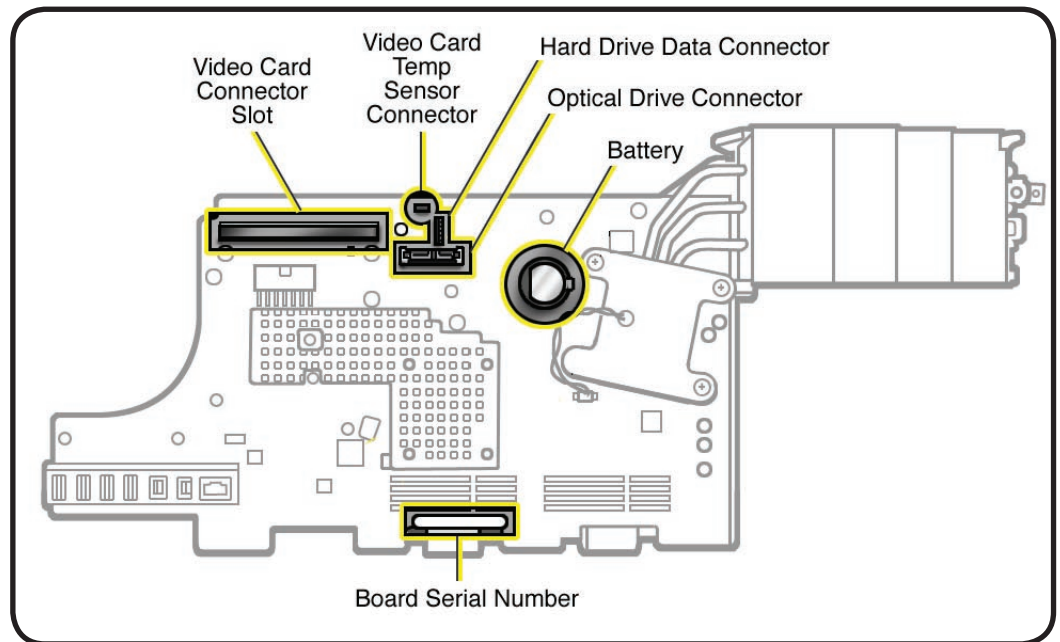




Logic Board, Top Side















Logic Board, Bottom Side












Screw Chart

Note: Screws are not to scale.

<p>922-9246 T10</p>  <p>LCD panel (8)</p>	<p>922-9239 T10</p>  <p>Camera (2)</p>	<p>922-4723 T8</p>  <p>Bluetooth antenna (2), AirPort antenna (2), video card (2)</p>
<p>922-9247 T8</p>  <p>Bluetooth board (1)</p>	<p>922-8579 T6</p>  <p>AirPort card (1)</p>	<p>922-6850 T10</p>  <p>AirPort carrier board (2), LED backlight board (4), Power supply (1), Hard drive (2), Optical drive (4), AC inlet (3)</p>
<p>922-9244 T10</p>  <p>Power supply, machine (2)</p>	<p>922-9243 T10</p>  <p>Power supply, long (1), Logic board, long 24mm (4)</p>	<p>922-9241 T8</p>  <p>SD board (1)</p>
<p>922-9136 T10</p>  <p>Hard drive bracket to HDD (2)</p>	<p>922-7001 T10</p>  <p>Hard drive pins (2)</p>	<p>922-9245 T10</p>  <p>Audio cable (2)</p>



<p>922-9236 T10</p>  <p>Optical fan (1), CPU fan (2), Hard drive fan (1)</p>	<p>922-6800 T10</p>  <p>Logic board, short (2), Mechanism cover, small (2)</p>	<p>922-9237 T10</p>  <p>Logic board, medium 20mm (2)</p>
<p>922-7971 T10</p>  <p>Video card bracket (1)</p>	<p>922-9242 T10</p>  <p>Right speaker (1), Left speaker (1)</p>	<p>922-9238 T10</p>  <p>Mechanism cover (2), Mechanism (6)</p>
<p>922-8174 T10</p>  <p>Stand (8)</p>		