

1. ALL RESISTANCE VALUES ARE IN OHMS, 0.1 WATT +/- 5%.
2. ALL CAPACITANCE VALUES ARE IN MICROFARADS.
3. ALL CRYSTALS & OSCILLATOR VALUES ARE IN HERTZ.

REV	ZONE	ECN	DESCRIPTION OF CHANGE	CK APPD DATE	ENG APPD DATE
				?	?

SCHEM, DUBLIN, M87

10/12/07

DVT

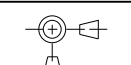

www.laptop-schematics.com

PDF PAGE	CSA PAGE	CONTENTS	SYNC MASTER	DATE
1	1	Table of Contents		
2	2	Block Diagram		
3	4	BOM Configuration	(Master)	(Master)
4	9	Aliases	(Master)	(Master)
5	34	PCI-E MiniCard Connector	(Master)	(Master)
6	35	ExpressCard Connector	(Master)	(Master)
7	36	MLB I/O Board Connector	(Master)	(Master)
8	46	Left USB Port	(Master)	(Master)
9	57	Current & Thermal Sensors	(Master)	(Master)
10	62	AUDIO:CODEC	LENGO_M87_AUDIO	10/05/2007
11	65	AUDIO: HEADPHONE AMP	LENGO_M87_AUDIO	10/05/2007
12	66	AUDIO:SPEAKER AMP	LENGO_M87_AUDIO	10/05/2007
13	67	AUDIO: JACKS	LENGO_M87_AUDIO	10/05/2007
14	68	AUDIO: JACK TRANSLATORS	LENGO_M87_AUDIO	10/05/2007
15	69	DC-In & Battery Connectors	(Master)	(Master)
16	76	5V/3.3V SUPPLY	<MASTER>	<MASTER>
17	79	PBus Supply & Batt. Charger	(Master)	(Master)
18	90	Inverter Connector	SPLIT_INVERTER	12/06/2006
19	98	LCD Backlight Support	M88_MLB	07/05/2007
20	99	Cross Reference Page		
21	100	Cross Reference Page		
22	101	Cross Reference Page		
23	102	Cross Reference Page		

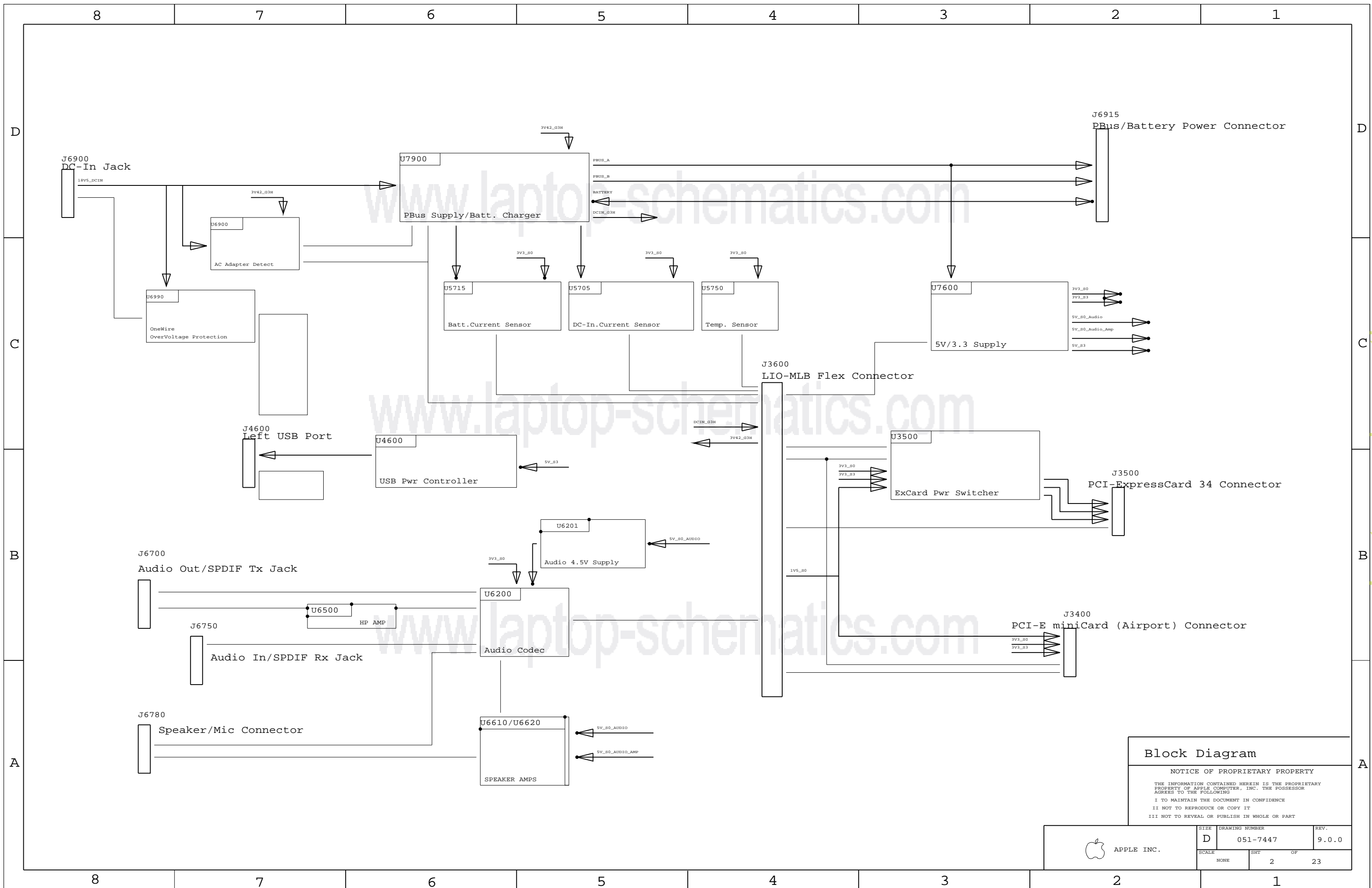
www.laptop-schematics.com

www.laptop-schematics.com

PART#	QTY	DESCRIPTION	REFERENCE DESIGNATOR(S)	CRITICAL	BOM OPTION
051-7447	1	SCHEM, DUBLIN, M87	SCH1	CRITICAL	
820-2273	1	PCBF, DUBLIN, M87	PCB1	CRITICAL	


<p style="font-size: 0.8em;">DIMENSIONS ARE IN MILLIMETERS</p> <p>XX : _____</p> <p>X.XX : _____</p> <p>X.XXX : _____</p> <p>ANGLES : _____</p> <p style="text-align: center;">DO NOT SCALE DRAWING</p> <div style="text-align: center;">  <p style="font-size: 0.7em;">THIRD ANGLE PROJECTION</p> </div>	<p>METRIC</p>	 <p>APPLE INC.</p> <p style="font-size: 0.7em;">NOTICE OF PROPRIETARY PROPERTY</p> <p style="font-size: 0.6em;">THE INFORMATION CONTAINED HEREIN IS THE PROPRIETARY PROPERTY OF APPLE COMPUTER, INC. THE POSSESSOR AGREES TO THE FOLLOWING</p> <p style="font-size: 0.6em;">I TO MAINTAIN THE DOCUMENT IN CONFIDENCE</p> <p style="font-size: 0.6em;">II NOT TO REPRODUCE OR COPY IT</p> <p style="font-size: 0.6em;">III NOT TO REVEAL OR PUBLISH IN WHOLE OR PART</p>																
<table border="1" style="width: 100%;"> <tr> <td>DRAPTR</td><td>DESIGN CK</td></tr> <tr> <td>ENG APPD</td><td>MFG APPD</td></tr> <tr> <td>QA APPD</td><td>DESIGNER</td></tr> <tr> <td>RELEASE</td><td>SCALE</td></tr> <tr> <td></td><td style="text-align: center;">NONE</td></tr> </table>	DRAPTR	DESIGN CK	ENG APPD	MFG APPD	QA APPD	DESIGNER	RELEASE	SCALE		NONE	<table border="1" style="width: 100%;"> <tr> <td>MATERIAL/FINISH NOTED AS APPLICABLE</td> <td>SIZE D</td> </tr> </table>	MATERIAL/FINISH NOTED AS APPLICABLE	SIZE D	<table border="1" style="width: 100%;"> <tr> <td colspan="2" style="text-align: center;">SCHEM, DUBLIN, M87</td> </tr> <tr> <td>DRAWING NUMBER 051-7447</td> <td>REV. 9.0.0</td> </tr> </table>	SCHEM, DUBLIN, M87		DRAWING NUMBER 051-7447	REV. 9.0.0
DRAPTR	DESIGN CK																	
ENG APPD	MFG APPD																	
QA APPD	DESIGNER																	
RELEASE	SCALE																	
	NONE																	
MATERIAL/FINISH NOTED AS APPLICABLE	SIZE D																	
SCHEM, DUBLIN, M87																		
DRAWING NUMBER 051-7447	REV. 9.0.0																	
SHT 1 OF 23																		

www.laptop-schematics.com

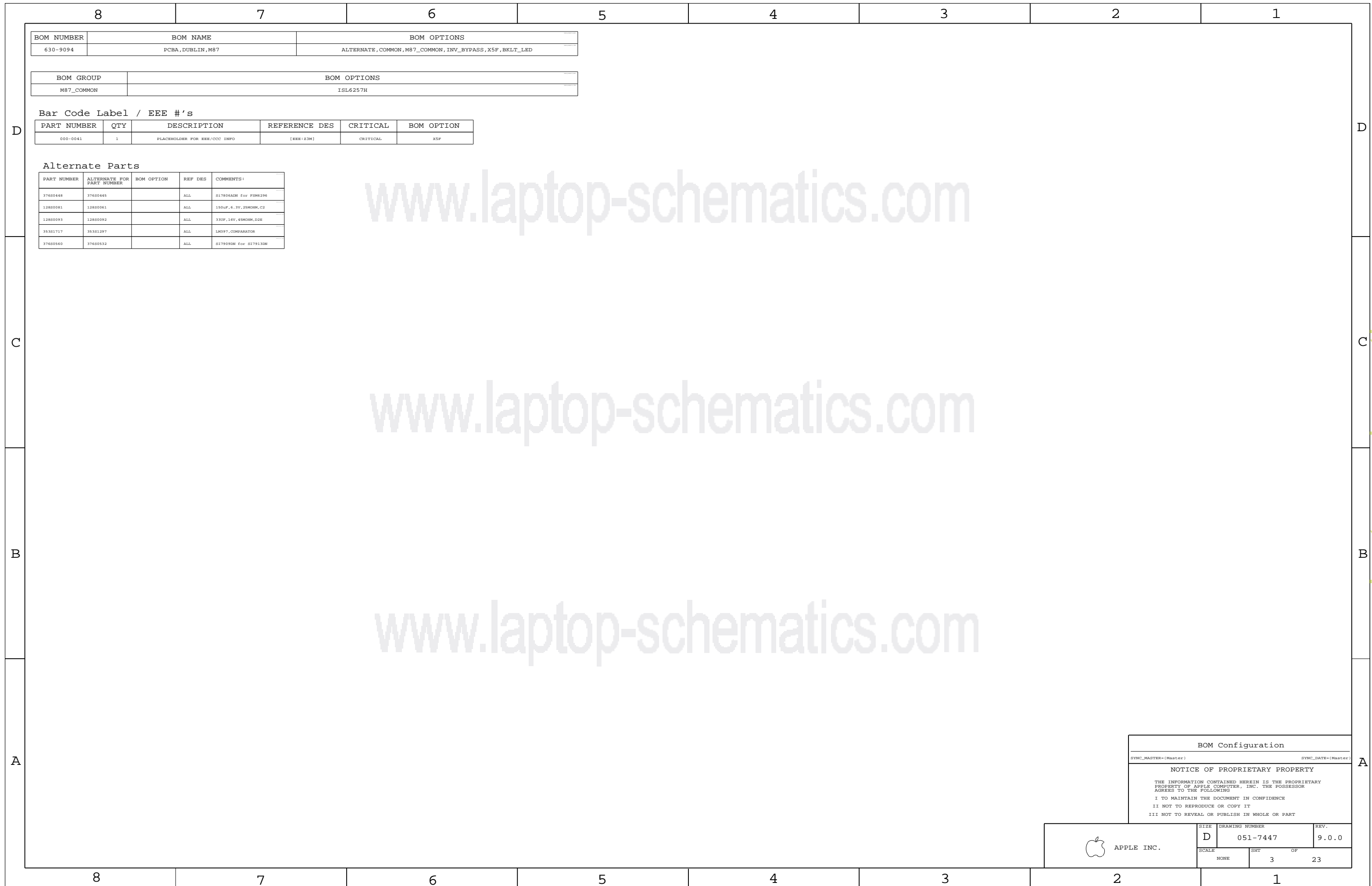


Block Diagram

NOTICE OF PROPRIETARY PROPERTY
 THE INFORMATION CONTAINED HEREIN IS THE PROPRIETARY PROPERTY OF APPLE COMPUTER, INC. THE POSSESSOR AGREES TO THE FOLLOWING
 I TO MAINTAIN THE DOCUMENT IN CONFIDENCE
 II NOT TO REPRODUCE OR COPY IT
 III NOT TO REVEAL OR PUBLISH IN WHOLE OR PART

 APPLE INC.	SIZE	DRAWING NUMBER	REV.
	D	051-7447	9.0.0
SCALE	SHT	OF	
NONE	2	23	

www.laptop-schematics.com



8

7

6

5

4

3

2

1

BOM NUMBER	BOM NAME	BOM OPTIONS
630-9094	PCBA,DUBLIN,M87	ALTERNATE,COMMON,M87_COMMON,INV_BYPASS,X5F,BKLT_LED

BOM GROUP	BOM OPTIONS
M87_COMMON	ISL6257H

Bar Code Label / EEE #'s

PART NUMBER	QTY	DESCRIPTION	REFERENCE DES	CRITICAL	BOM OPTION
000-0041	1	PLACEHOLDER FOR EEE/CCC INFO	[EEE:Z3M]	CRITICAL	X5F

Alternate Parts

PART NUMBER	ALTERNATE FOR PART NUMBER	BOM OPTION	REF DES	COMMENTS:
37600448	37600445		ALL	SI7806ADM for FDM6296
12800081	12800061		ALL	150UF,6.3V,25VWV,C2
12800093	12800092		ALL	33UF,16V,45MOHM,D2E
35301717	35301297		ALL	LM397,COMPparator
37600560	37600532		ALL	SI7908DM for SI7913DM

www.laptop-schematics.com

www.laptop-schematics.com

www.laptop-schematics.com

BOM Configuration	
SYNC_MASTER=(Master)	SYNC_DATE=(Master)
NOTICE OF PROPRIETARY PROPERTY	
THE INFORMATION CONTAINED HEREIN IS THE PROPRIETARY PROPERTY OF APPLE COMPUTER, INC. THE POSSESSOR AGREES TO THE FOLLOWING I TO MAINTAIN THE DOCUMENT IN CONFIDENCE II NOT TO REPRODUCE OR COPY IT III NOT TO REVEAL OR PUBLISH IN WHOLE OR PART	

 APPLE INC.	SIZE	DRAWING NUMBER	REV.
	D	051-7447	9.0.0
SCALE	SHT	OF	
NONE	3	23	

8

7

6

5

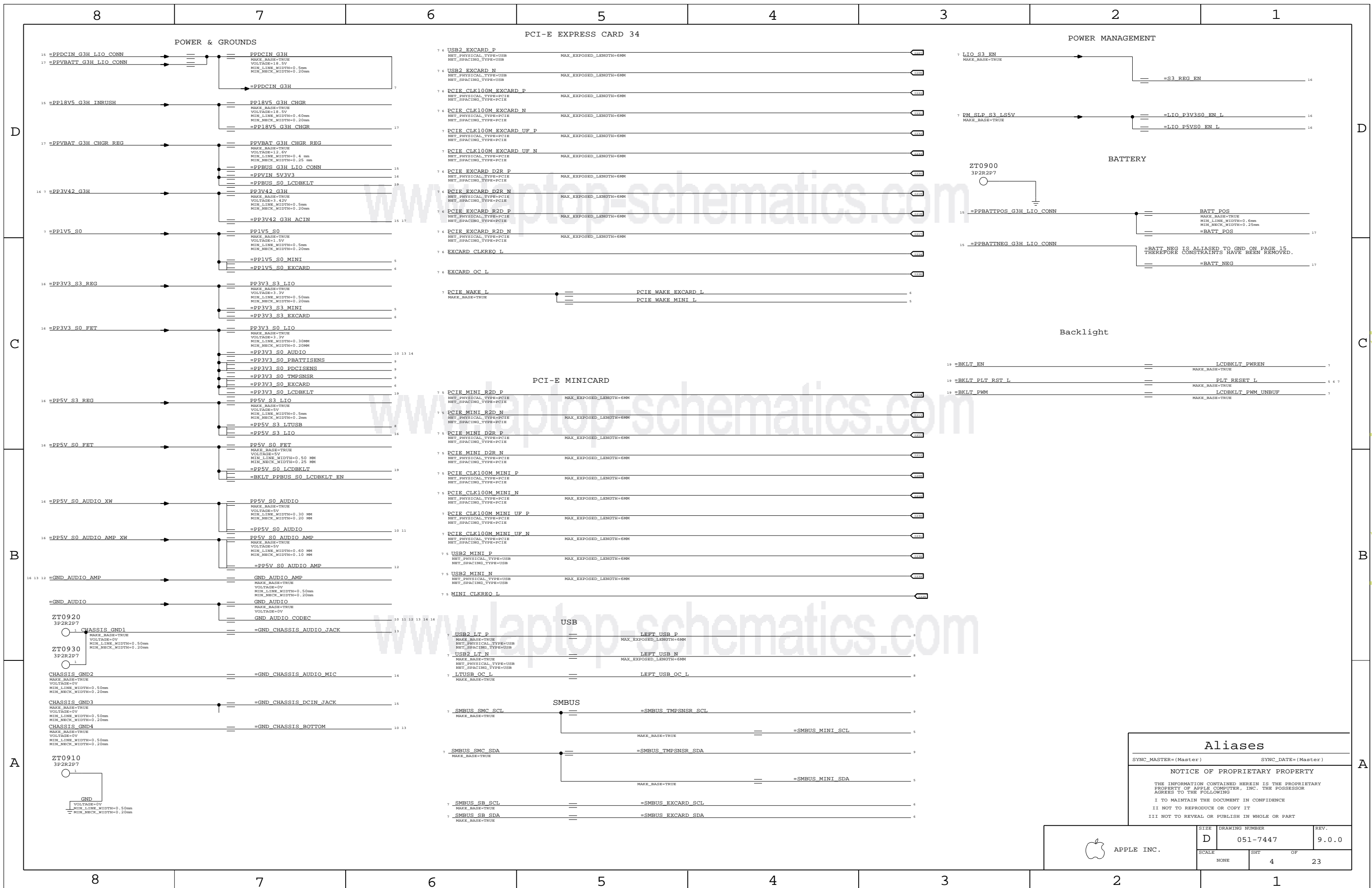
4

3

2

1

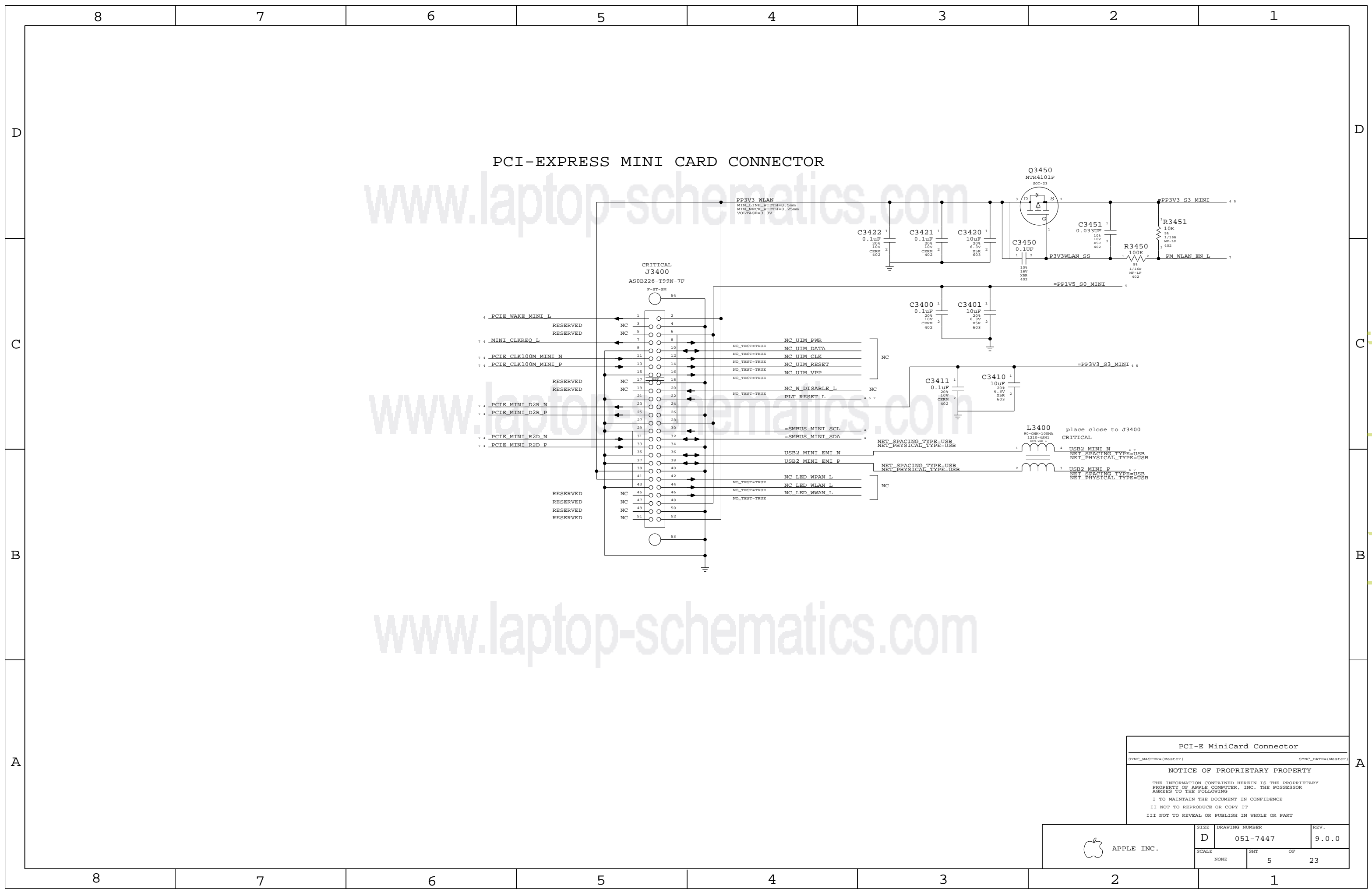
www.laptop-schematics.com



Aliases		
SYNC_MASTER=(Master)		SYNC_DATE=(Master)
NOTICE OF PROPRIETARY PROPERTY		
THE INFORMATION CONTAINED HEREIN IS THE PROPRIETARY PROPERTY OF APPLE COMPUTER, INC. THE POSSESSOR AGREES TO THE FOLLOWING		
I TO MAINTAIN THE DOCUMENT IN CONFIDENCE		
II NOT TO REPRODUCE OR COPY IT		
III NOT TO REVEAL OR PUBLISH IN WHOLE OR PART		

APPLE INC.	SIZE	DRAWING NUMBER	REV.
	D	051-7447	9.0.0
SCALE	SHT	OF	
NONE	4		23

www.laptop-schematics.com



PCI-EXPRESS MINI CARD CONNECTOR

www.laptop-schematics.com

www.laptop-schematics.com

www.laptop-schematics.com

www.laptop-schematics.com

PCI-E MiniCard Connector
 SYNC_MASTER=(Master) SYNC_DATA=(Master)
 NOTICE OF PROPRIETARY PROPERTY
 THE INFORMATION CONTAINED HEREIN IS THE PROPRIETARY PROPERTY OF APPLE COMPUTER, INC. THE POSSESSOR AGREES TO THE FOLLOWING
 I TO MAINTAIN THE DOCUMENT IN CONFIDENCE
 II NOT TO REPRODUCE OR COPY IT
 III NOT TO REVEAL OR PUBLISH IN WHOLE OR PART

APPLE INC.	SIZE	DRAWING NUMBER	REV.
	D	051-7447	9.0.0
SCALE	SHT OF		
NONE	5 23		

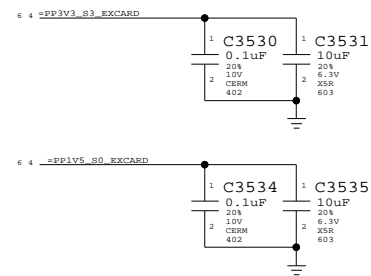
EXPRESSCARD/34 TOP MOUNT CONNECTOR

www.laptop-schematics.com

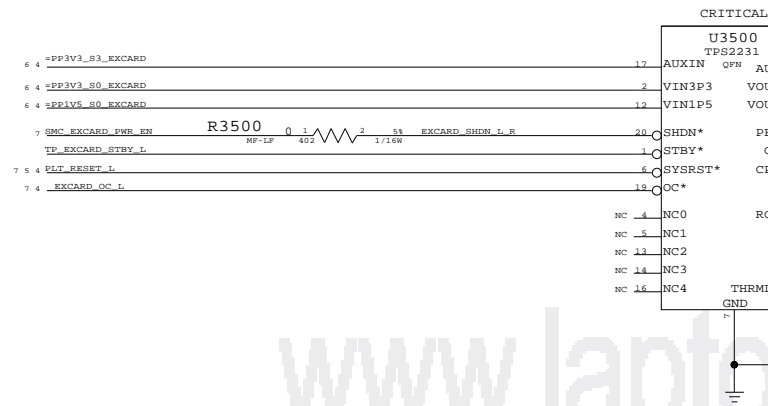
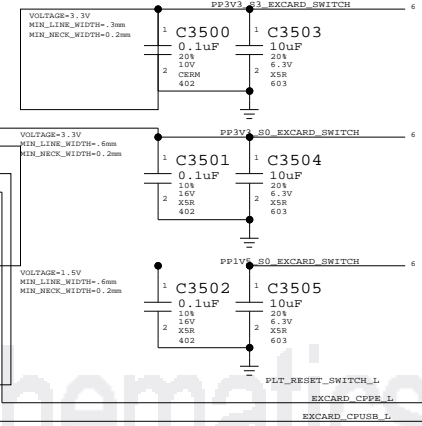
www.laptop-schematics.com

www.laptop-schematics.com

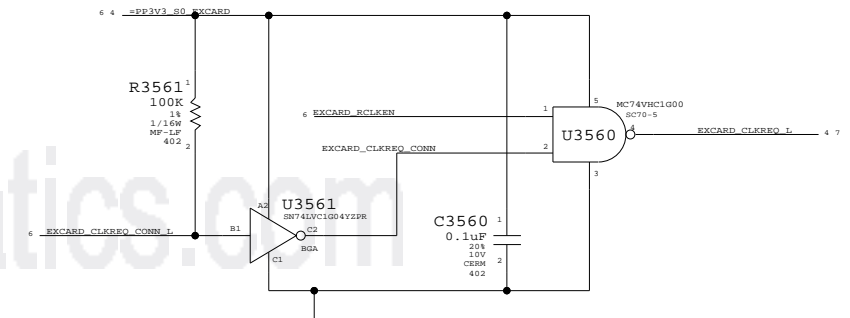
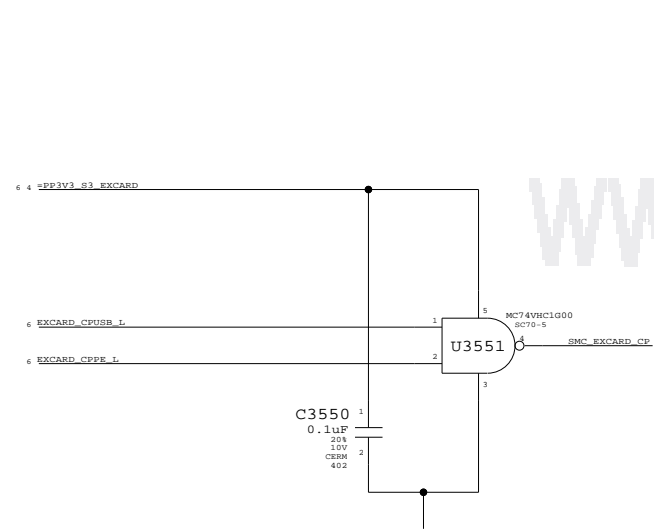
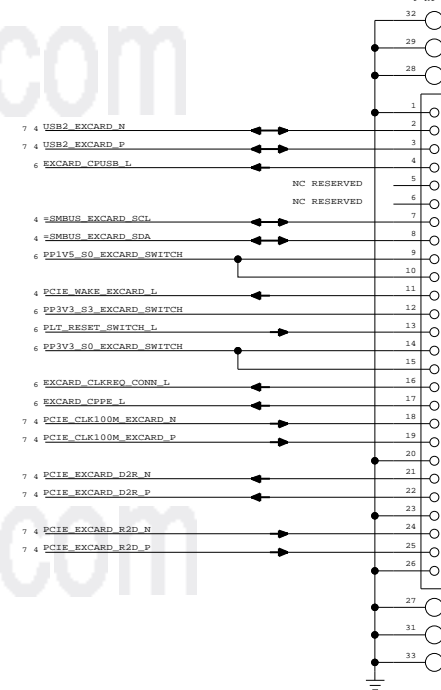
INPUT DECOUPLING



OUTPUT DECOUPLING



CARD CAGE CONNECTOR
CRITICAL
J3500
237-5300703903-2
P 10-08



ExpressCard Connector
SYNC_MASTER=(Master) SYNC_DATA=(Master)
NOTICE OF PROPRIETARY PROPERTY
THE INFORMATION CONTAINED HEREIN IS THE PROPRIETARY PROPERTY OF APPLE COMPUTER, INC. THE POSSESSOR AGREES TO THE FOLLOWING
I TO MAINTAIN THE DOCUMENT IN CONFIDENCE
II NOT TO REPRODUCE OR COPY IT
III NOT TO REVEAL OR PUBLISH IN WHOLE OR PART

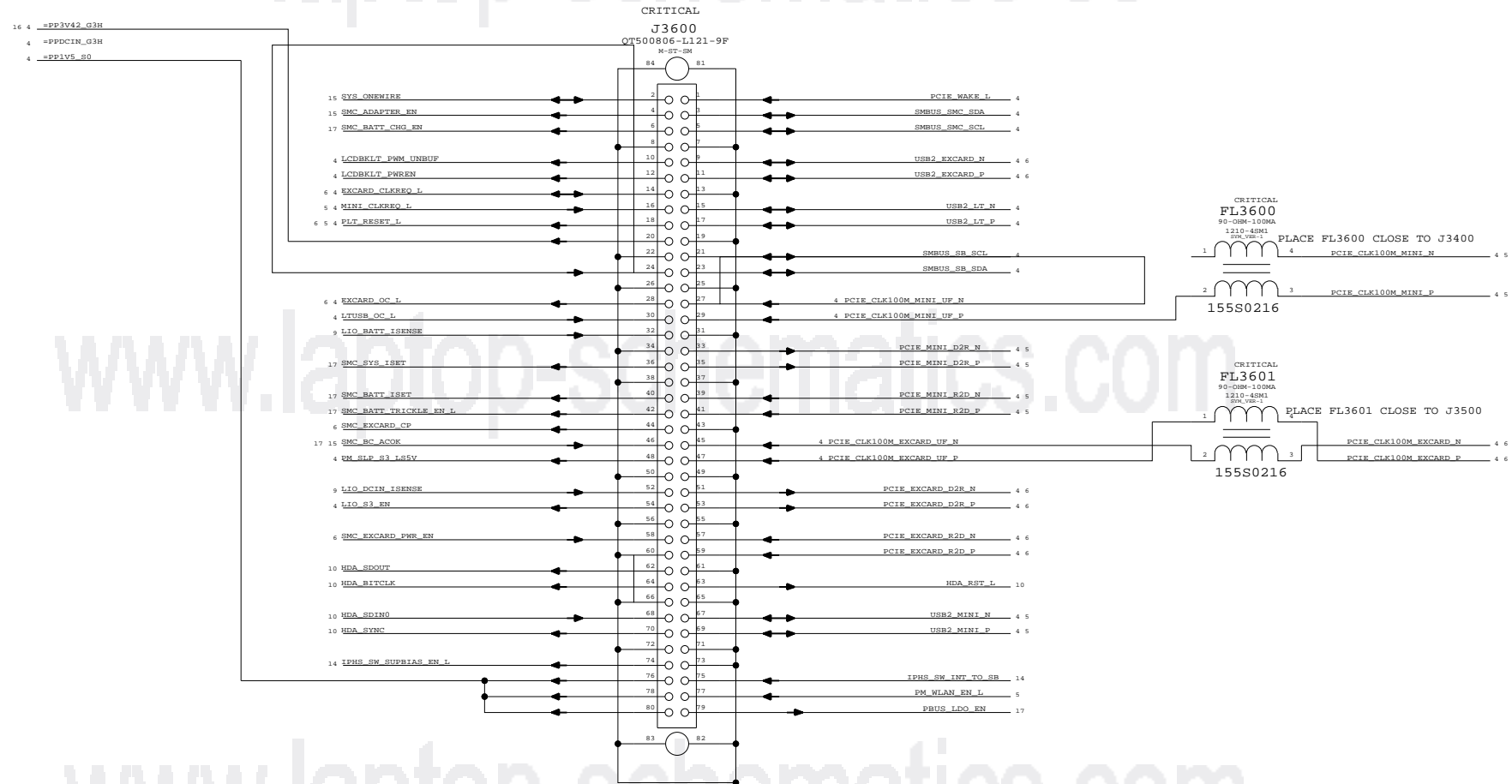
APPLE INC.	SIZE	DRAWING NUMBER	REV.
	D	051-7447	9.0.0
SCALE	SHT OF		
NONE	6 OF		23

www.laptop-schematics.com

www.laptop-schematics.com

www.laptop-schematics.com

Left I/O Board Connector



www.laptop-schematics.com

MLB I/O Board Connector

SYNC_MASTER=(Master) SYNC_DATA=(Master)

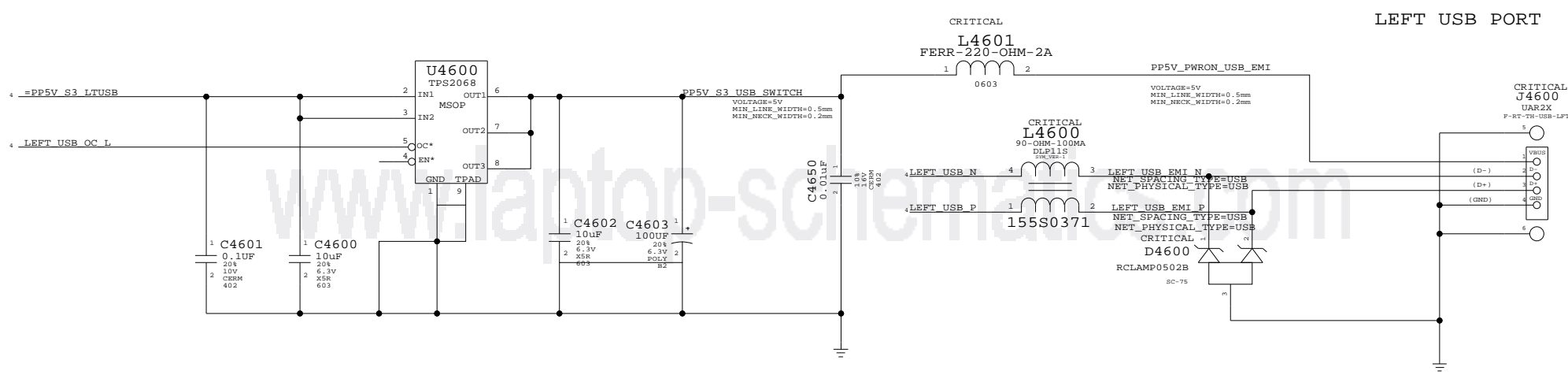
NOTICE OF PROPRIETARY PROPERTY

THE INFORMATION CONTAINED HEREIN IS THE PROPRIETARY PROPERTY OF APPLE COMPUTER, INC. THE POSSESSOR AGREES TO THE FOLLOWING

I TO MAINTAIN THE DOCUMENT IN CONFIDENCE
 II NOT TO REPRODUCE OR COPY IT
 III NOT TO REVEAL OR PUBLISH IN WHOLE OR PART

APPLE INC.	SIZE	DRAWING NUMBER	REV.
	D	051-7447	9.0.0
SCALE	SHT OF		
NONE	7 OF		23

www.laptop-schematics.com



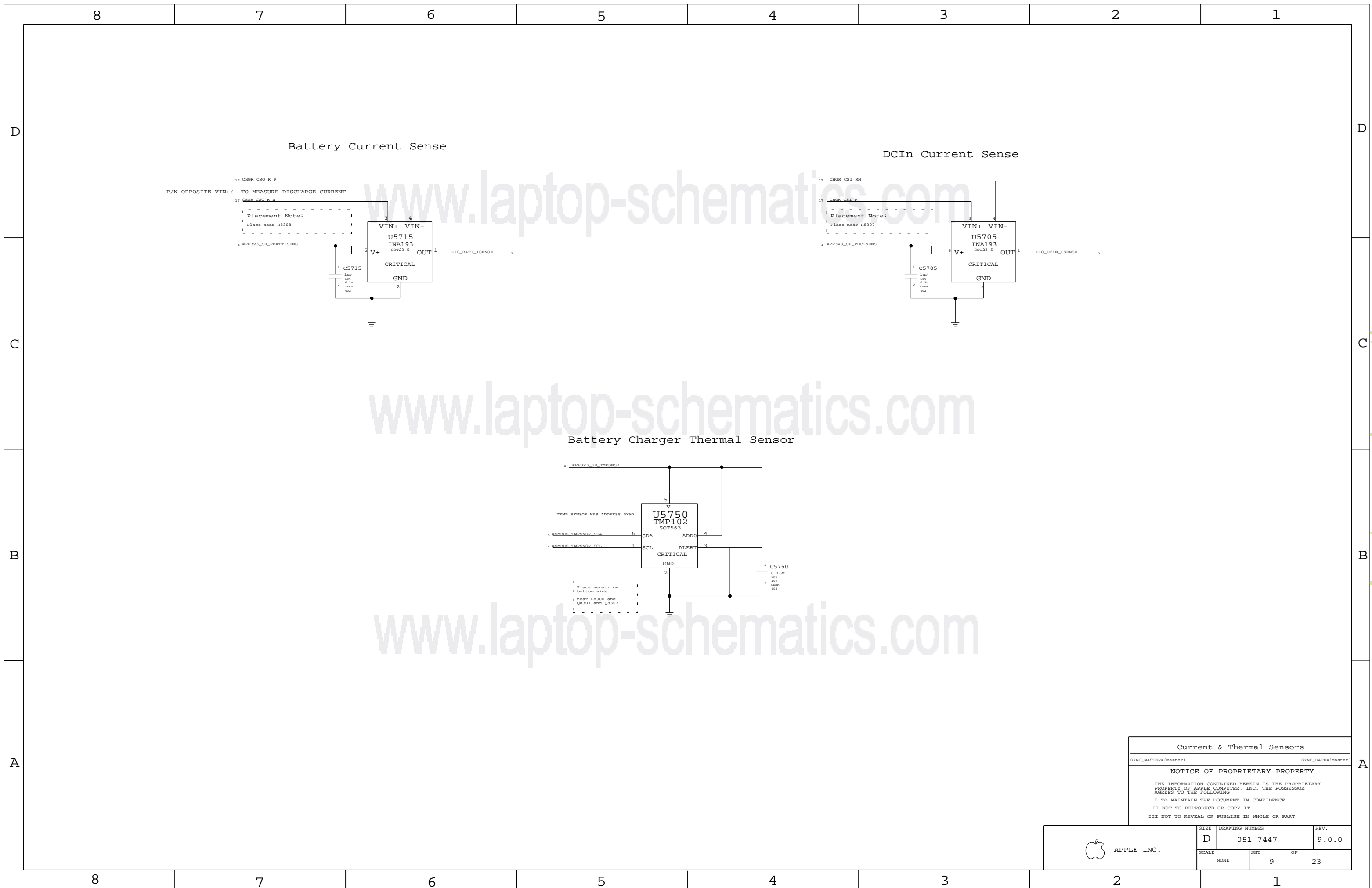
PUT L4600, L4601, ACROSS THE MOAT

www.laptop-schematics.com

Left USB Port
SYNC_MASTER=(Master) SYNC_DATE=(Master)
NOTICE OF PROPRIETARY PROPERTY
THE INFORMATION CONTAINED HEREIN IS THE PROPRIETARY PROPERTY OF APPLE COMPUTER, INC. THE POSSESSOR AGREES TO THE FOLLOWING
I TO MAINTAIN THE DOCUMENT IN CONFIDENCE
II NOT TO REPRODUCE OR COPY IT
III NOT TO REVEAL OR PUBLISH IN WHOLE OR PART

APPLE INC.	SIZE	DRAWING NUMBER	REV.
	D	051-7447	9.0.0
SCALE	SHT	OF	
NONE	8	23	

www.laptop-schematics.com



Current & Thermal Sensors

SYNC_MASTER=(Master) SYNC_DATE=(Master)

NOTICE OF PROPRIETARY PROPERTY

THE INFORMATION CONTAINED HEREIN IS THE PROPRIETARY PROPERTY OF APPLE COMPUTER, INC. THE POSSESSOR AGREES TO THE FOLLOWING

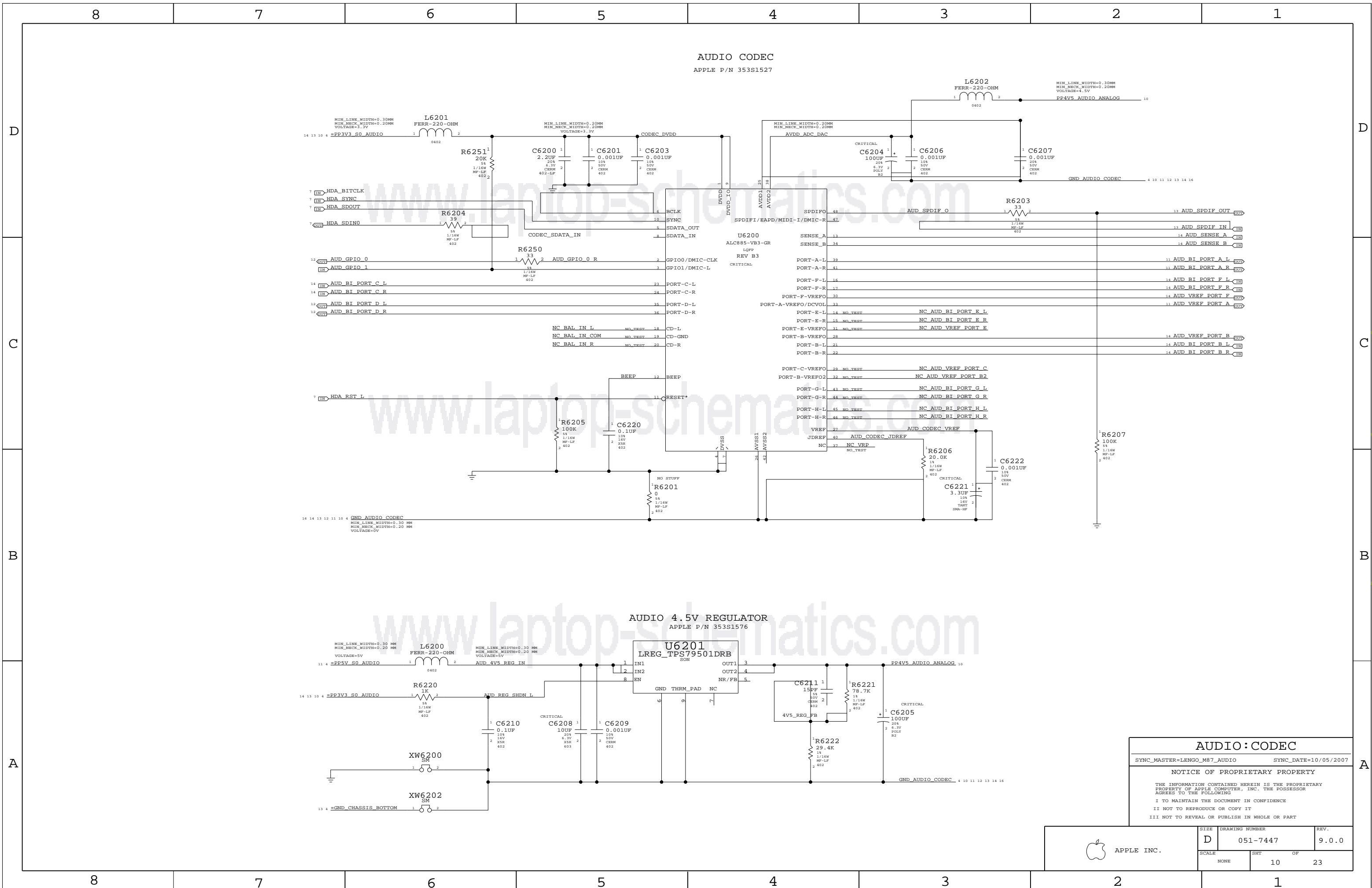
I TO MAINTAIN THE DOCUMENT IN CONFIDENCE

II NOT TO REPRODUCE OR COPY IT

III NOT TO REVEAL OR PUBLISH IN WHOLE OR PART

APPLE INC.	SIZE	DRAWING NUMBER	REV.
	D	051-7447	9.0.0
SCALE	SHT OF		
NONE	9		23

www.laptop-schematics.com



AUDIO CODEC
APPLE P/N 353S1527

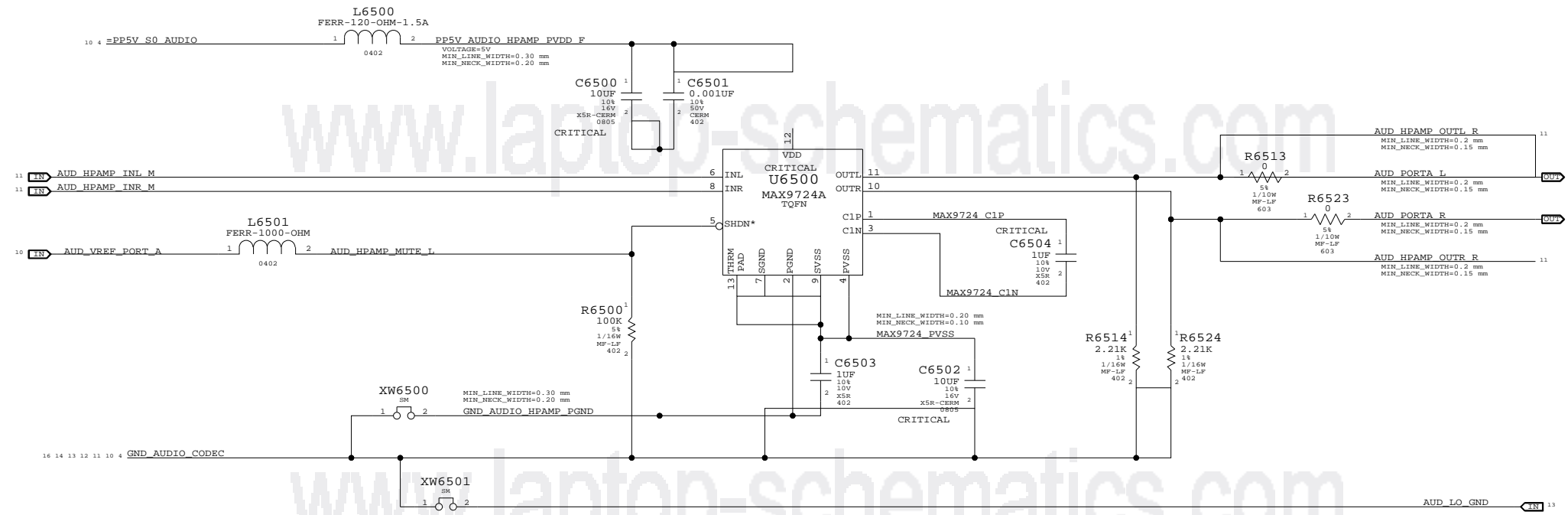
AUDIO 4.5V REGULATOR
APPLE P/N 353S1576

AUDIO: CODEC
 SYNC_MASTER=LENGO_M87_AUDIO SYNC_DATE=10/05/2007
NOTICE OF PROPRIETARY PROPERTY
 THE INFORMATION CONTAINED HEREIN IS THE PROPRIETARY PROPERTY OF APPLE COMPUTER, INC. THE POSSESSOR AGREES TO THE FOLLOWING
 I TO MAINTAIN THE DOCUMENT IN CONFIDENCE
 II NOT TO REPRODUCE OR COPY IT
 III NOT TO REVEAL OR PUBLISH IN WHOLE OR PART

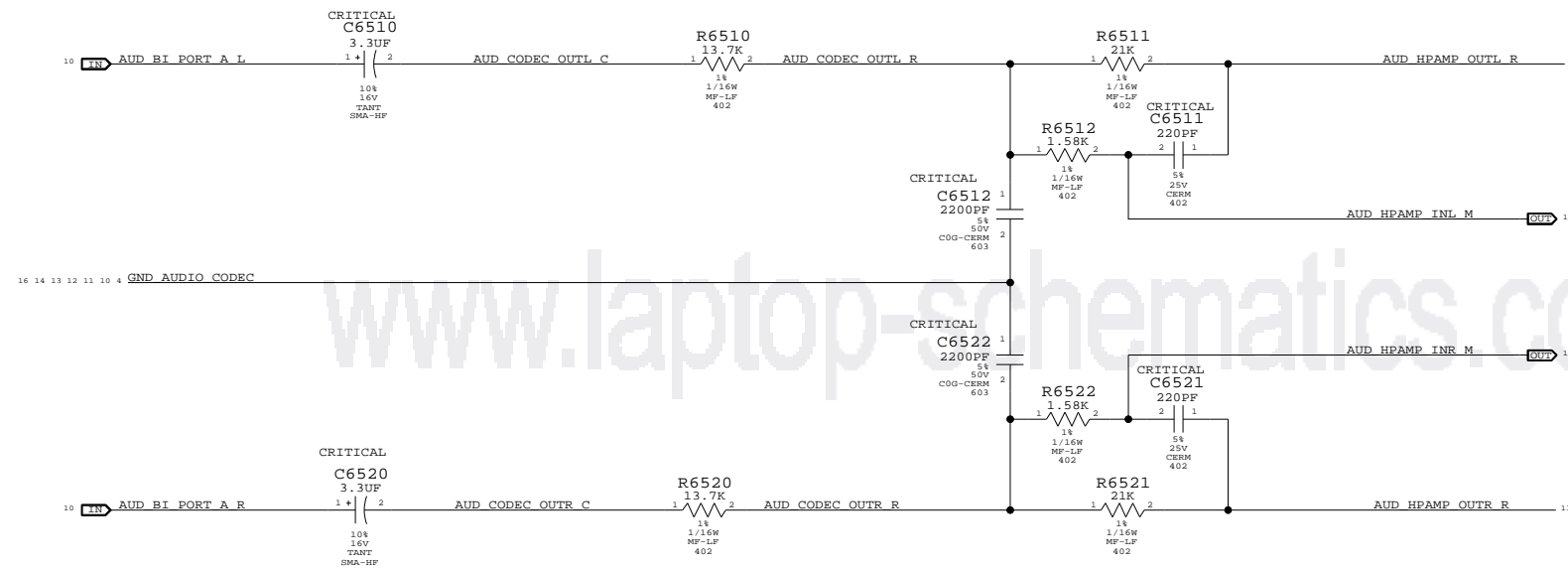
APPLE INC.	SIZE	DRAWING NUMBER	REV.
	D	051-7447	9.0.0
SCALE	NONE	SHT	OF
		10	23

www.laptop-schematics.com

Headphone Amplifier (MAX9724A)
 APN: 353S1637
 VOLTAGE GAIN: 1.53



2nd Order DAC Filter
 HP: 3.52 HZ LP: 39 KHZ



AUDIO: HEADPHONE AMP
 SYNC_MASTER=LENGO_M87_AUDIO SYNC_DATE=10/05/2007
NOTICE OF PROPRIETARY PROPERTY
 THE INFORMATION CONTAINED HEREIN IS THE PROPRIETARY PROPERTY OF APPLE COMPUTER, INC. THE POSSESSOR AGREES TO THE FOLLOWING
 I TO MAINTAIN THE DOCUMENT IN CONFIDENCE
 II NOT TO REPRODUCE OR COPY IT
 III NOT TO REVEAL OR PUBLISH IN WHOLE OR PART

APPLE INC.	SIZE	DRAWING NUMBER	REV.
	D	051-7447	9.0.0
SCALE	NONE	SHT	OF
		11	23

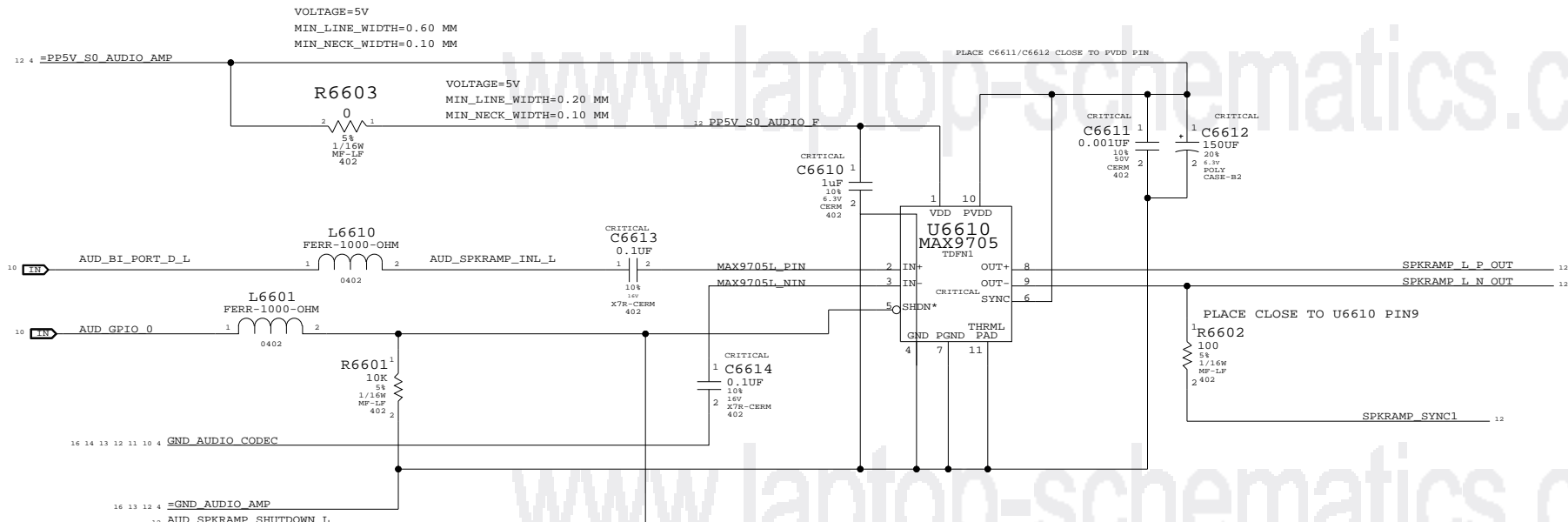
www.laptop-schematics.com

2X MONO SPEAKER AMPLIFIERS (MAX9705B)

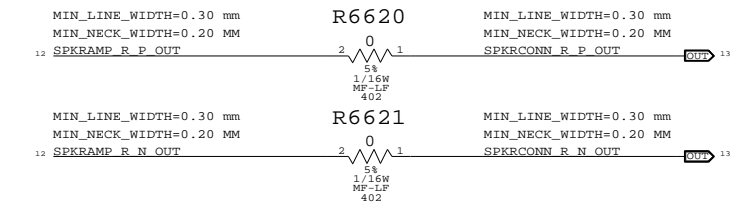
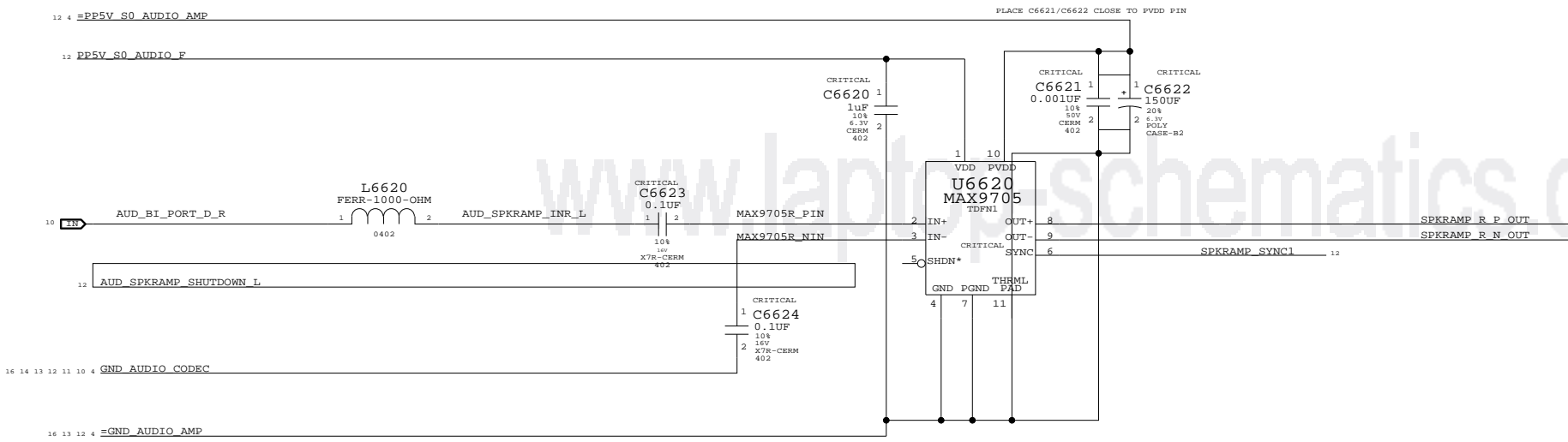
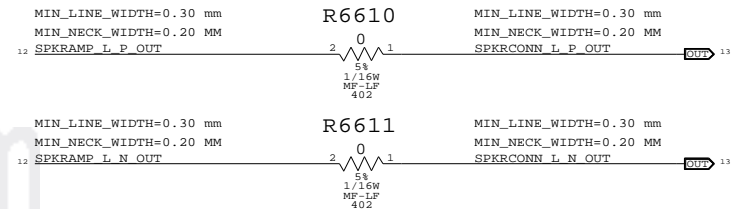
APN: 353S1595

GAIN = 12DB

79Hz < FC < 132Hz



FANCY SPEAKER TESTPOINTS



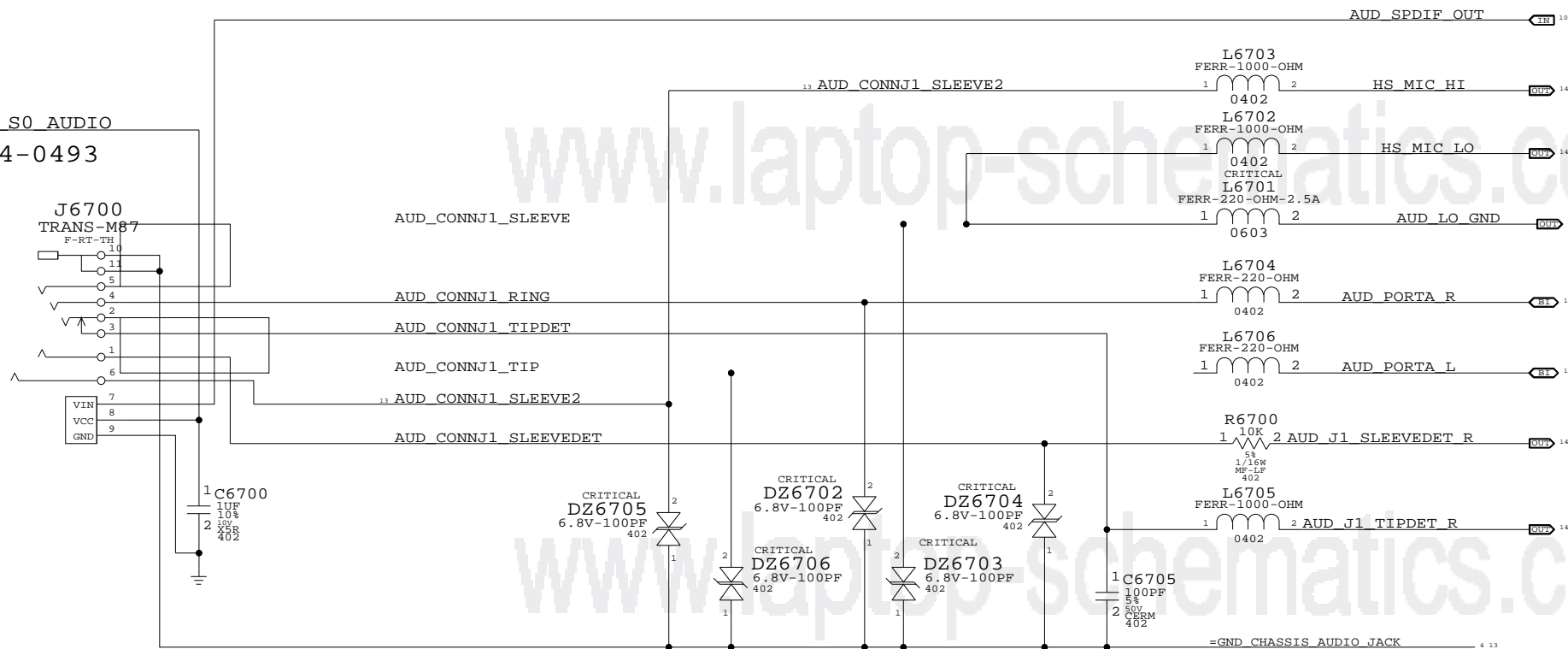
AUDIO: SPEAKER AMP
 SYNC_MASTER=LENGO_M87_AUDIO SYNC_DATE=10/05/2007

NOTICE OF PROPRIETARY PROPERTY
 THE INFORMATION CONTAINED HEREIN IS THE PROPRIETARY PROPERTY OF APPLE COMPUTER, INC. THE POSSESSOR AGREES TO THE FOLLOWING
 I TO MAINTAIN THE DOCUMENT IN CONFIDENCE
 II NOT TO REPRODUCE OR COPY IT
 III NOT TO REVEAL OR PUBLISH IN WHOLE OR PART

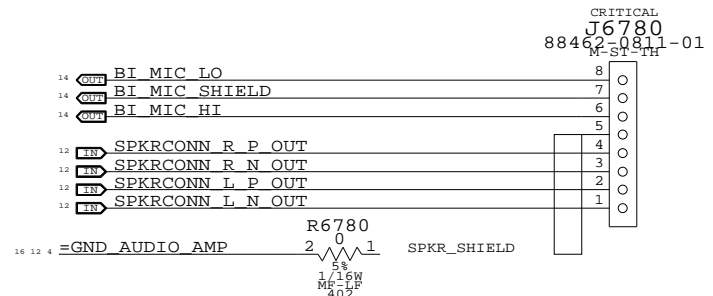
APPLE INC.	SIZE	DRAWING NUMBER	REV.
	D	051-7447	9.0.0
SCALE	SHT	OF	
NONE	12	23	

AUDIO JACK 1 LO/HP JACK, SPDIF TX

APN: 514-0493

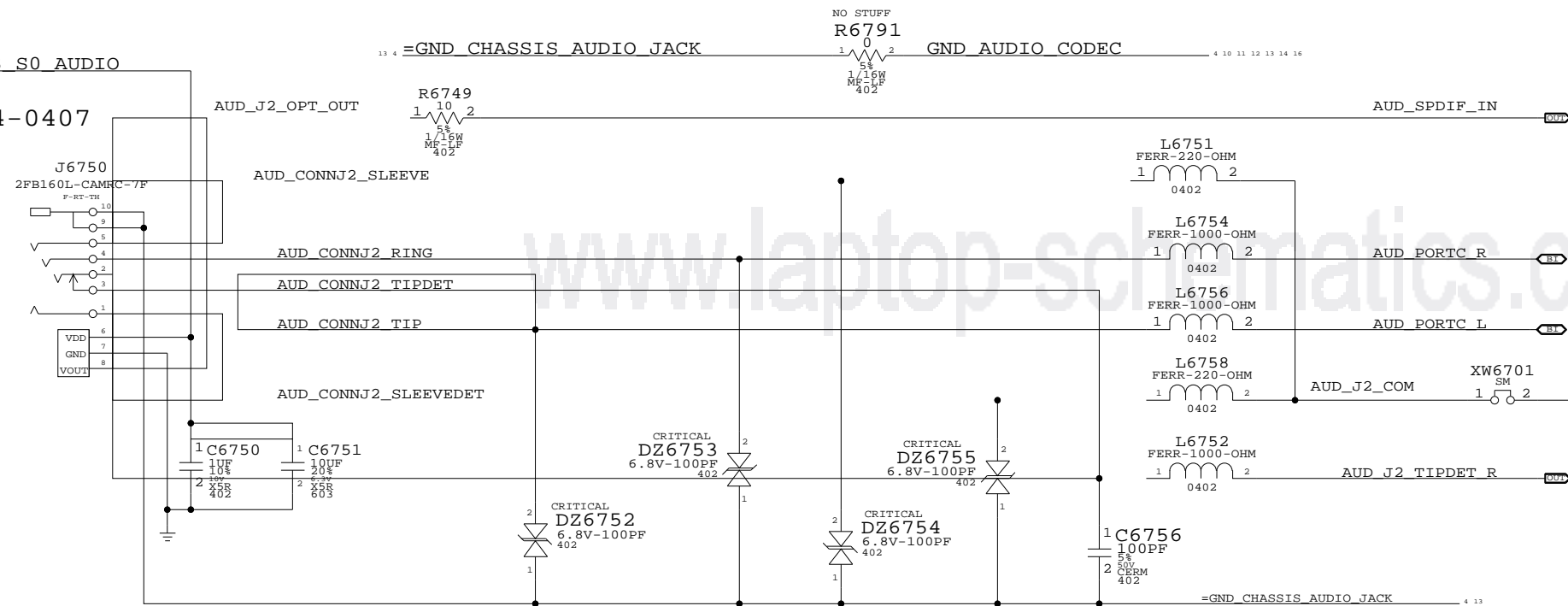


SPEAKER/MIC CONNECTOR
APN: 518-0262

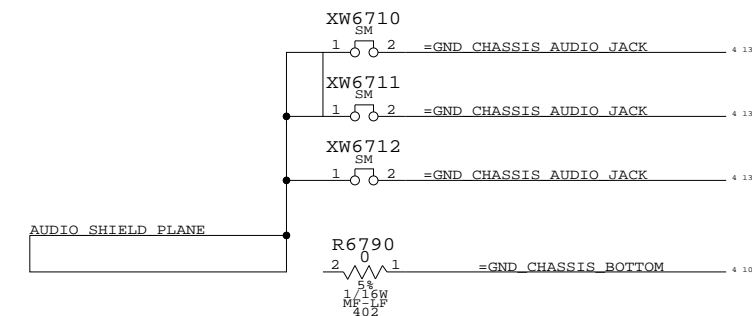


PLACE AT GROUND MOAT

APN: 514-0407



AUDIO SHIELD
(FILLED SHAPE)



AUDIO JACK 2 LINE IN JACK, SPDIF RX

AUDIO: JACKS		
SYNC_MASTER=LENGO_M87_AUDIO	SYNC_DATE=10/05/2007	
NOTICE OF PROPRIETARY PROPERTY		
THE INFORMATION CONTAINED HEREIN IS THE PROPRIETARY PROPERTY OF APPLE COMPUTER, INC. THE POSSESSOR AGREES TO THE FOLLOWING		
I TO MAINTAIN THE DOCUMENT IN CONFIDENCE		
II NOT TO REPRODUCE OR COPY IT		
III NOT TO REVEAL OR PUBLISH IN WHOLE OR PART		

APPLE INC.	SIZE	DRAWING NUMBER	REV.
	D	051-7447	9.0.0
SCALE	SHT	OF	
NONE	13	23	

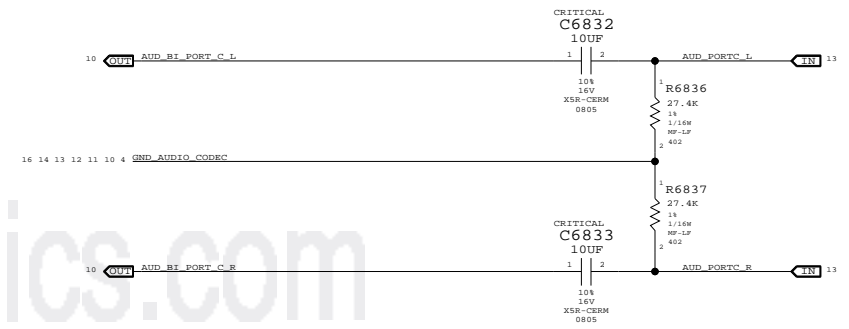
CODEC OUTPUT SIGNAL PATHS

FUNCTION	VOLUME	CONVERTER	PIN COMPLEX	MUTE CONTROL	DET ASSIGNMENT
HP/LINE OUT	0X0D (15)	0X03 (3)	0X15 (21,A)	VREF_A	0X15 (21,A)
SPEAKER	0X26 (38)	0X25 (37)	0X14 (20,D)	GPIO_0	N/A
SPDIF OUT	N/A	0X06 (6)	0X1E (SPDIF OUT)	N/A	0X1B (27,E)

CODEC INPUT SIGNAL PATHS

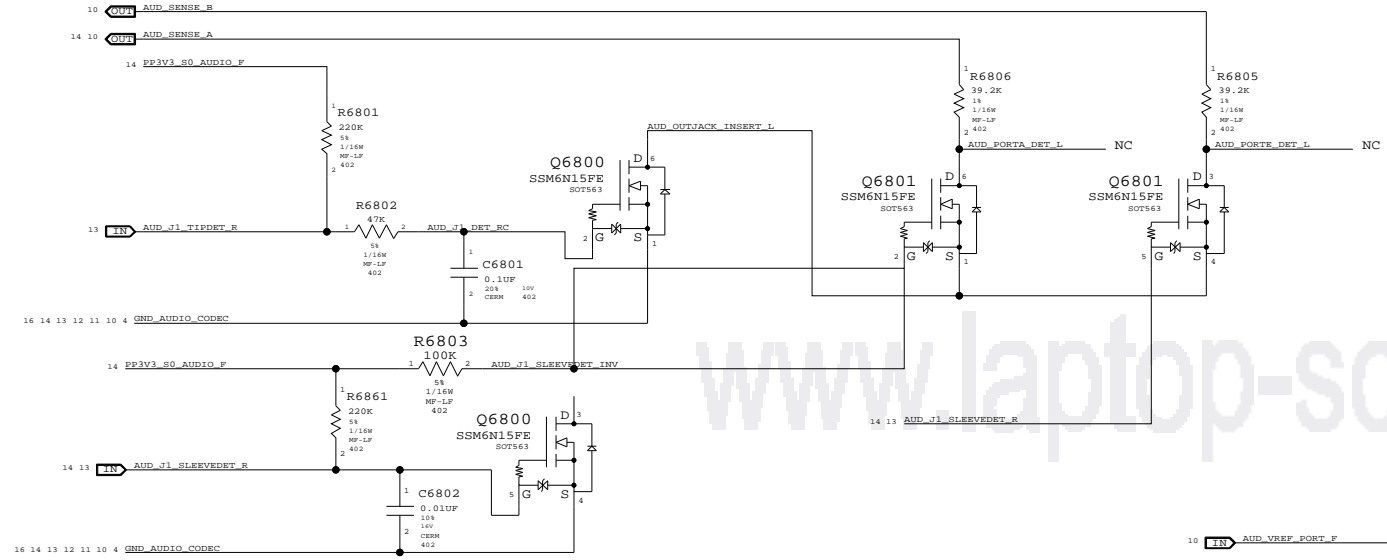
FUNCTION	MIXER (INPUT)	CONVERTER	PIN COMPLEX	VREF	DET ASSIGNMENT
LINE IN	0X23 (35)	0X08 (8)	0X1A (26,C)	N/A	0X1A (26,C)
SPDIF IN	N/A	0X0A (10)	0X1F (SPDIF IN)	N/A	N/A
MIC (BUILT IN)	0X24 (36)	0X07 (7)	0X18 (24,B)	B (80%)	N/A
MIC (HEADSET)	0X24 (36)	0X07 (7)	0X19 (25,F)	F (80%)	SOUTHBRIDGE

PORT C LI

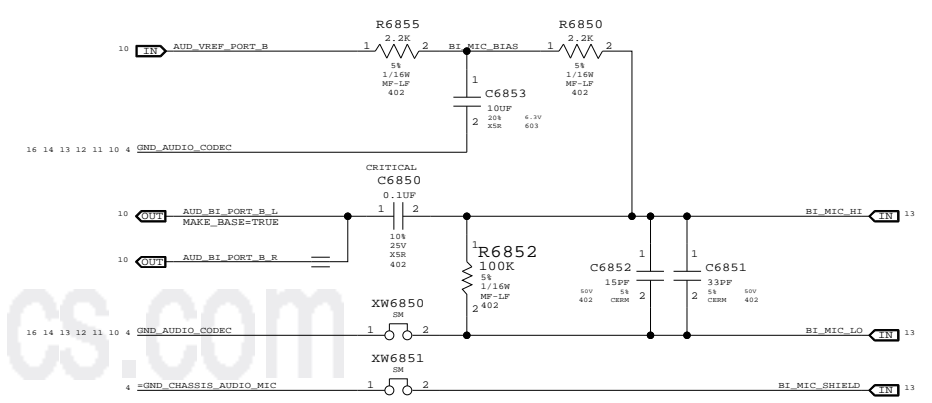


PORT A DETECT

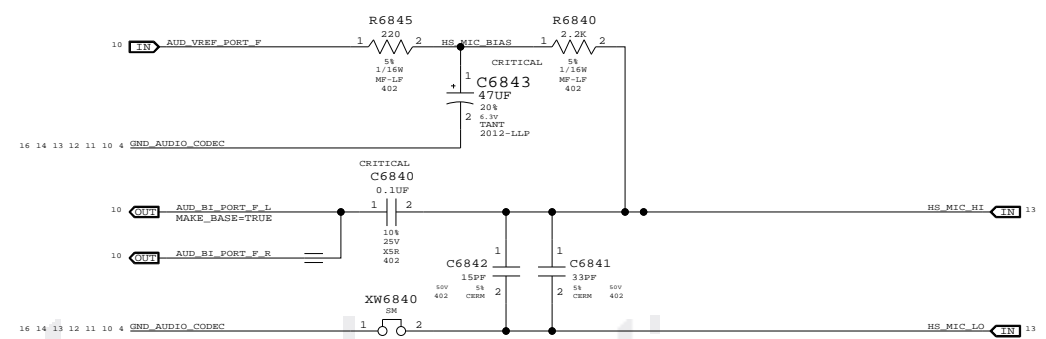
PORT E DETECT (SPDIF DELEGATE)



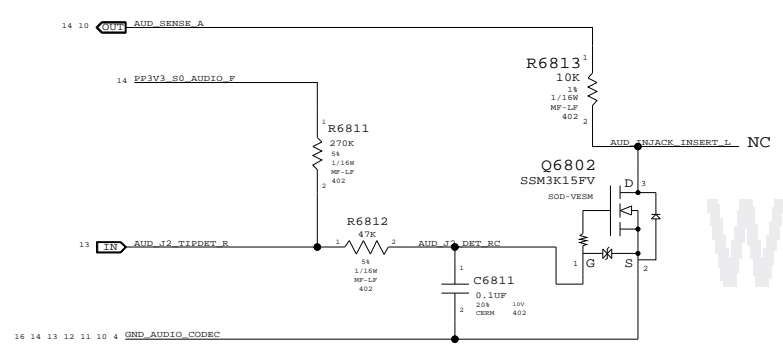
PORT B (BUILT-IN MIC)



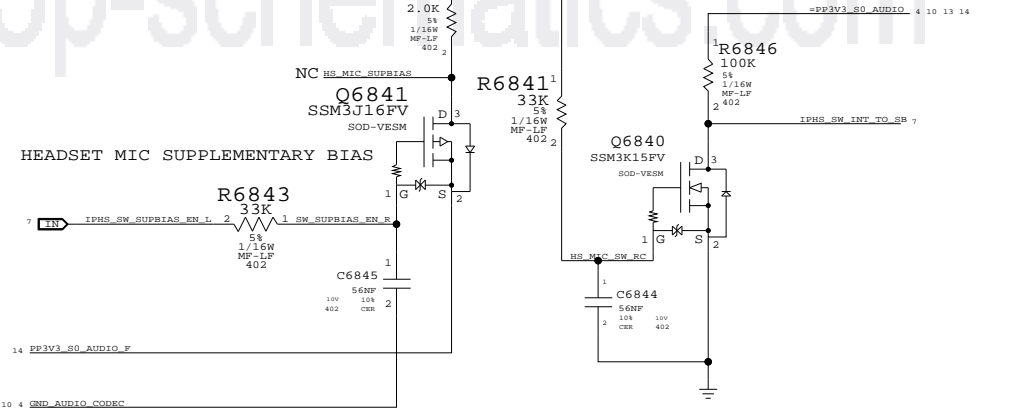
PORT F (HEADSET MIC)



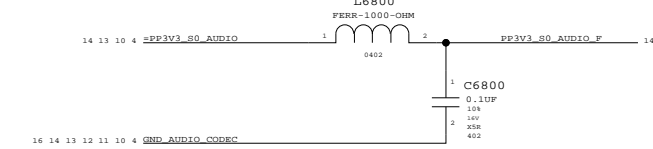
Line-in (PORT C) DETECT



HEADSET SW INTERRUPT TO SOUTHBRIDGE



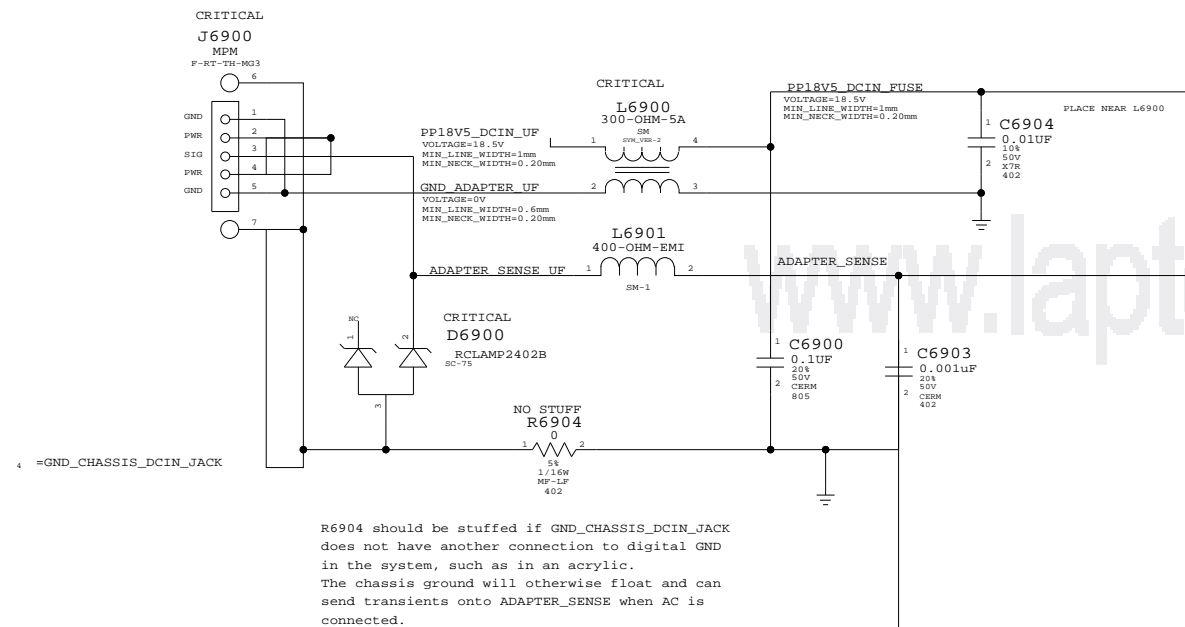
PLACE L6800/C6800 CLOSE TO Q6800/01/02



AUDIO: JACK TRANSLATORS
 SYNC_MASTER=LINED_MPT_AUDIO SYNC_DATE=10/09/2007
NOTICE OF PROPRIETARY PROPERTY
 THE INFORMATION CONTAINED HEREIN IS THE PROPRIETARY PROPERTY OF APPLE COMPUTER, INC. THE POSSESSOR AGREES TO THE FOLLOWING
 I TO MAINTAIN THE DOCUMENT IN CONFIDENCE
 II NOT TO REPRODUCE OR COPY IT
 III NOT TO REVEAL OR PUBLISH IN WHOLE OR PART

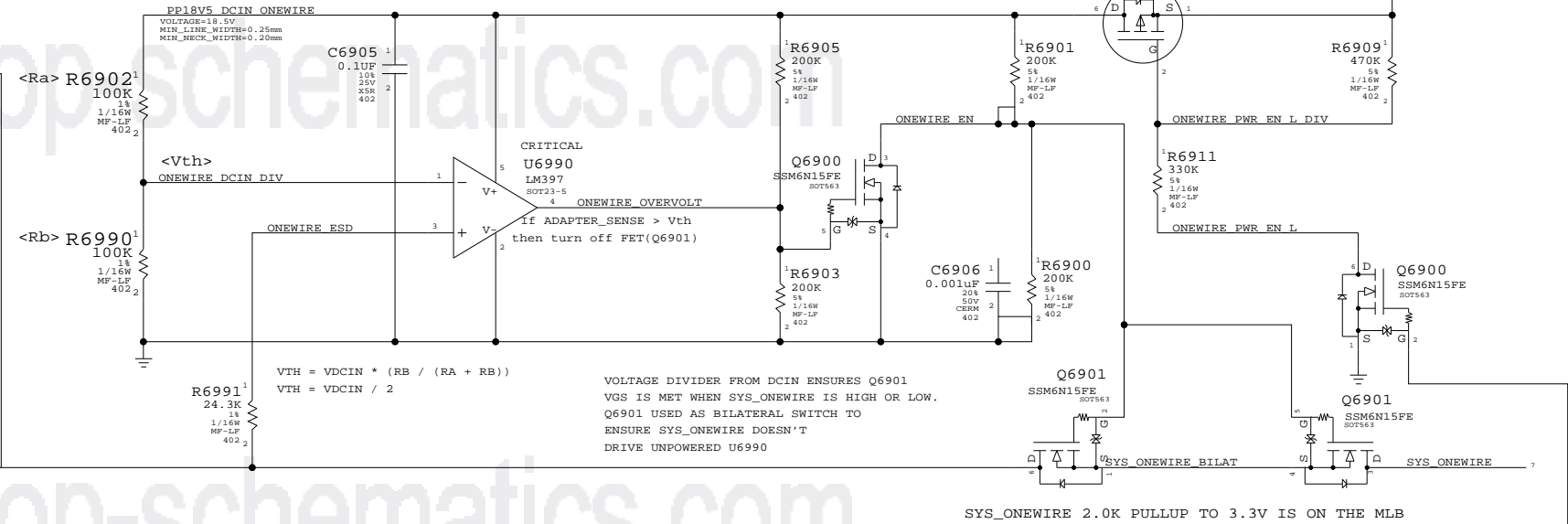
APPLE INC.	SIZE	DRAWING NUMBER	REV.
	D	051-7447	9.0.0
SCALE	NONE	SHT	OF
		14	23

DC Power Jack



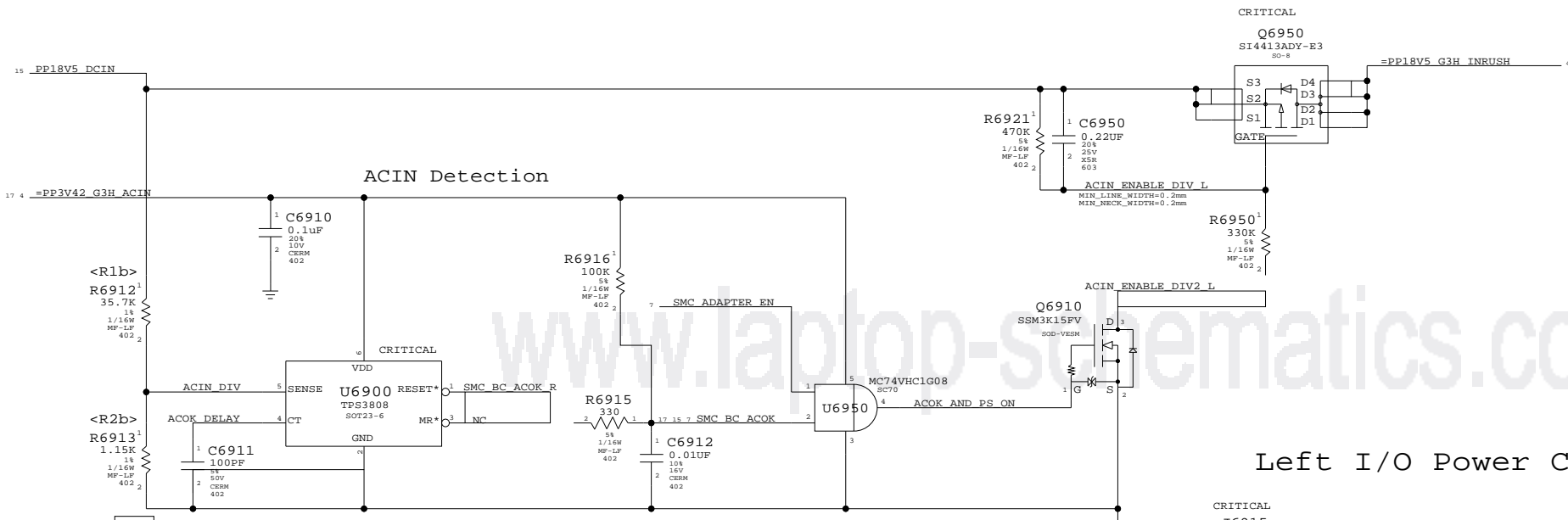
R6904 should be stuffed if GND_CHASSIS_DCIN_JACK does not have another connection to digital GND in the system, such as in an acrylic. The chassis ground will otherwise float and can send transients onto ADAPTER_SENSE when AC is connected.

1-Wire OverVoltage Protection



Q6909 restricts system load to 10K-70K window until adapter detects system and enables 16.5V output.

Inrush Limiter



System must provide 10K-70K impedance to A52 adapter for system load detection. REQ OF R6912 & R6913 IS 36.9K.

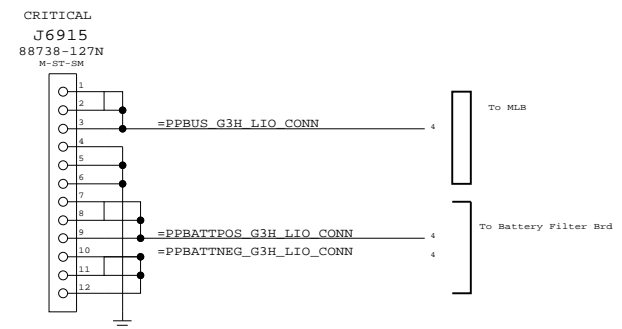
$$V_{th} = (V_{ref} / (R_{2b} / (R_{1b} + R_{2b})))$$

$$V_{REF} = 0.405V$$

$$V_{TH} = 13.0V$$

Assuming 1% variance for R6912-R6913 and 3.42V:
Worst case Vth: min: 12.47V, max: 13.54V

Left I/O Power Connector



DC-In & Battery Connectors

SYNC_MASTER=(Master) SYNC_DATA=(Master)

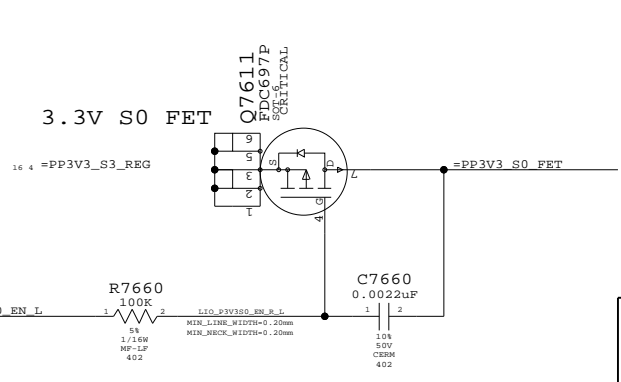
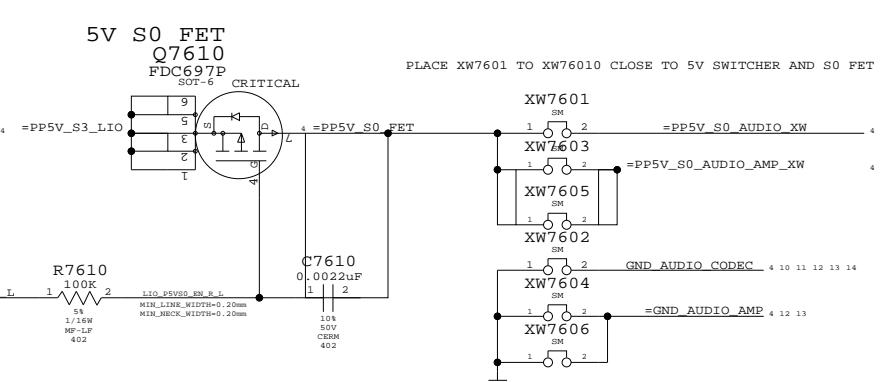
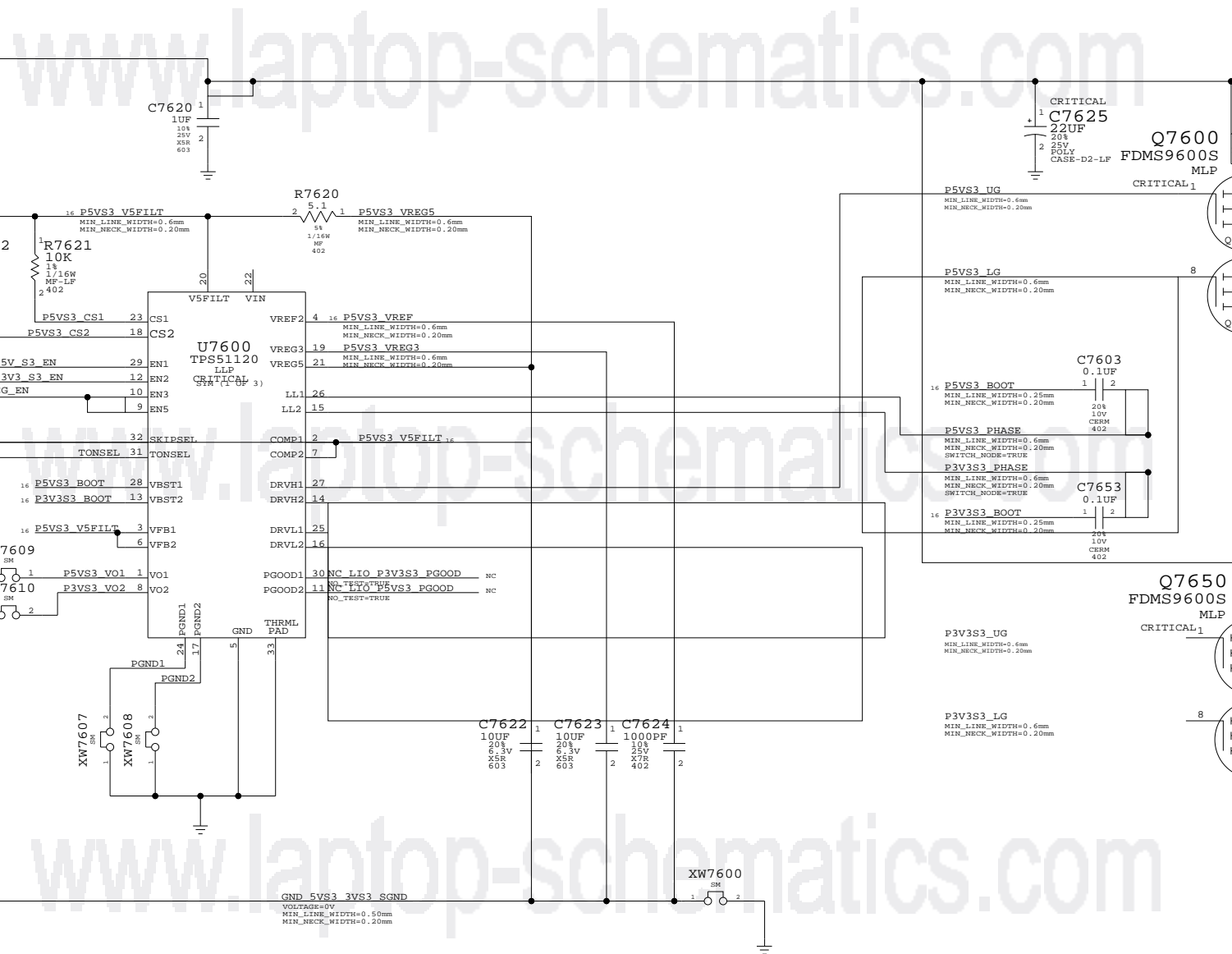
NOTICE OF PROPRIETARY PROPERTY

THE INFORMATION CONTAINED HEREIN IS THE PROPRIETARY PROPERTY OF APPLE COMPUTER, INC. THE POSSESSOR AGREES TO THE FOLLOWING

I TO MAINTAIN THE DOCUMENT IN CONFIDENCE
II NOT TO REPRODUCE OR COPY IT
III NOT TO REVEAL OR PUBLISH IN WHOLE OR PART

APPLE INC.	SIZE	DRAWING NUMBER	REV.
	D	051-7447	9.0.0
SCALE	SHT	OF	
NONE	15	23	

5V/3.3V POWER SUPPLY



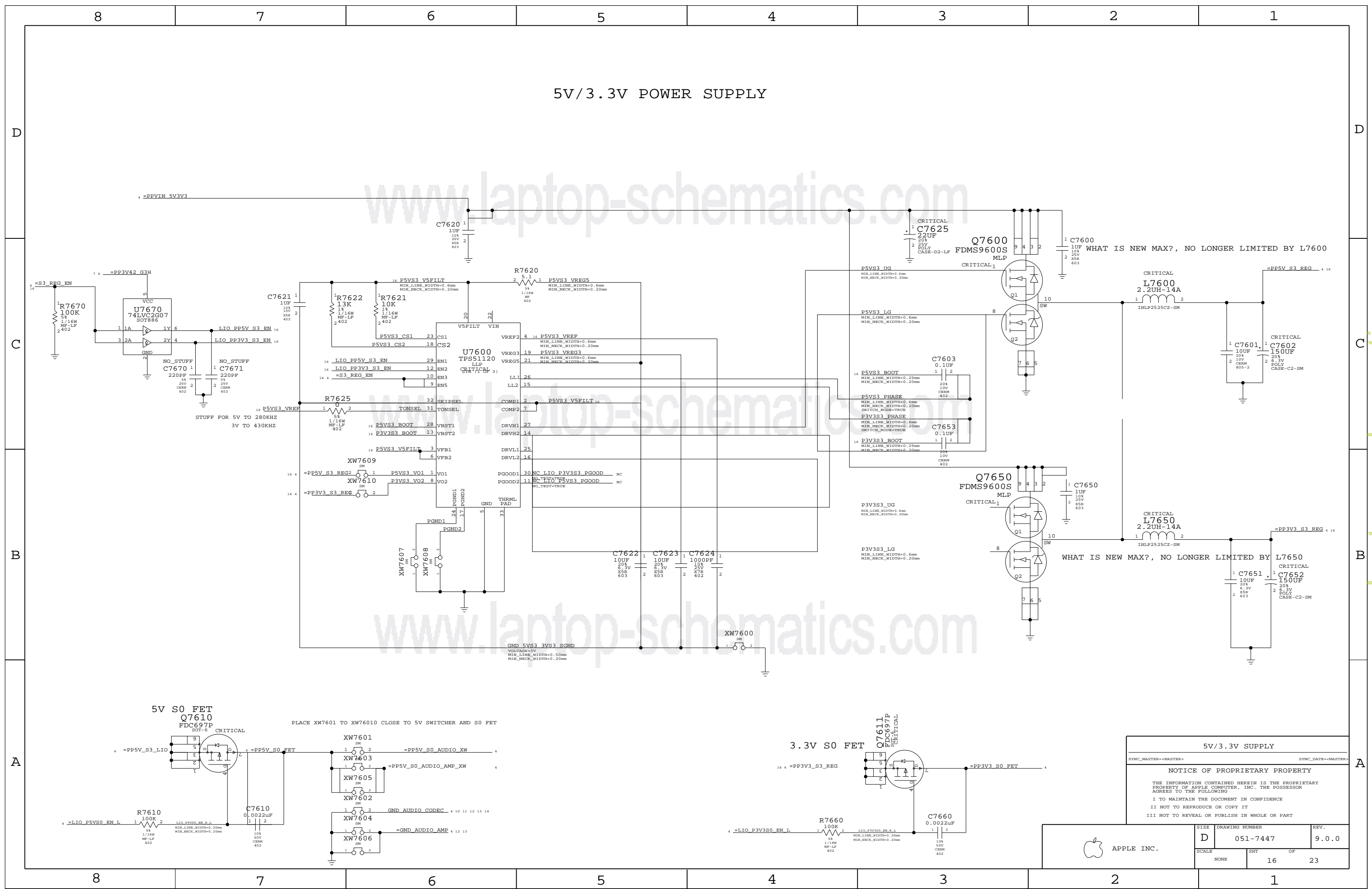
5V/3.3V SUPPLY

NOTICE OF PROPRIETARY PROPERTY

THE INFORMATION CONTAINED HEREIN IS THE PROPRIETARY PROPERTY OF APPLE COMPUTER, INC. THE POSSESSOR AGREES TO THE FOLLOWING

I TO MAINTAIN THE DOCUMENT IN CONFIDENCE
 II NOT TO REPRODUCE OR COPY IT
 III NOT TO REVEAL OR PUBLISH IN WHOLE OR PART

 APPLE INC.	SCALE	DRAWING NUMBER	REV.
	NONE	D 051-7447	9.0.0
	SHT	OF	
	16	23	

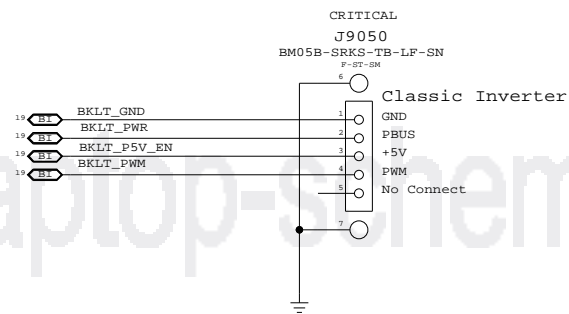


www.laptop-schematics.com

www.laptop-schematics.com

www.laptop-schematics.com

Inverter Connector

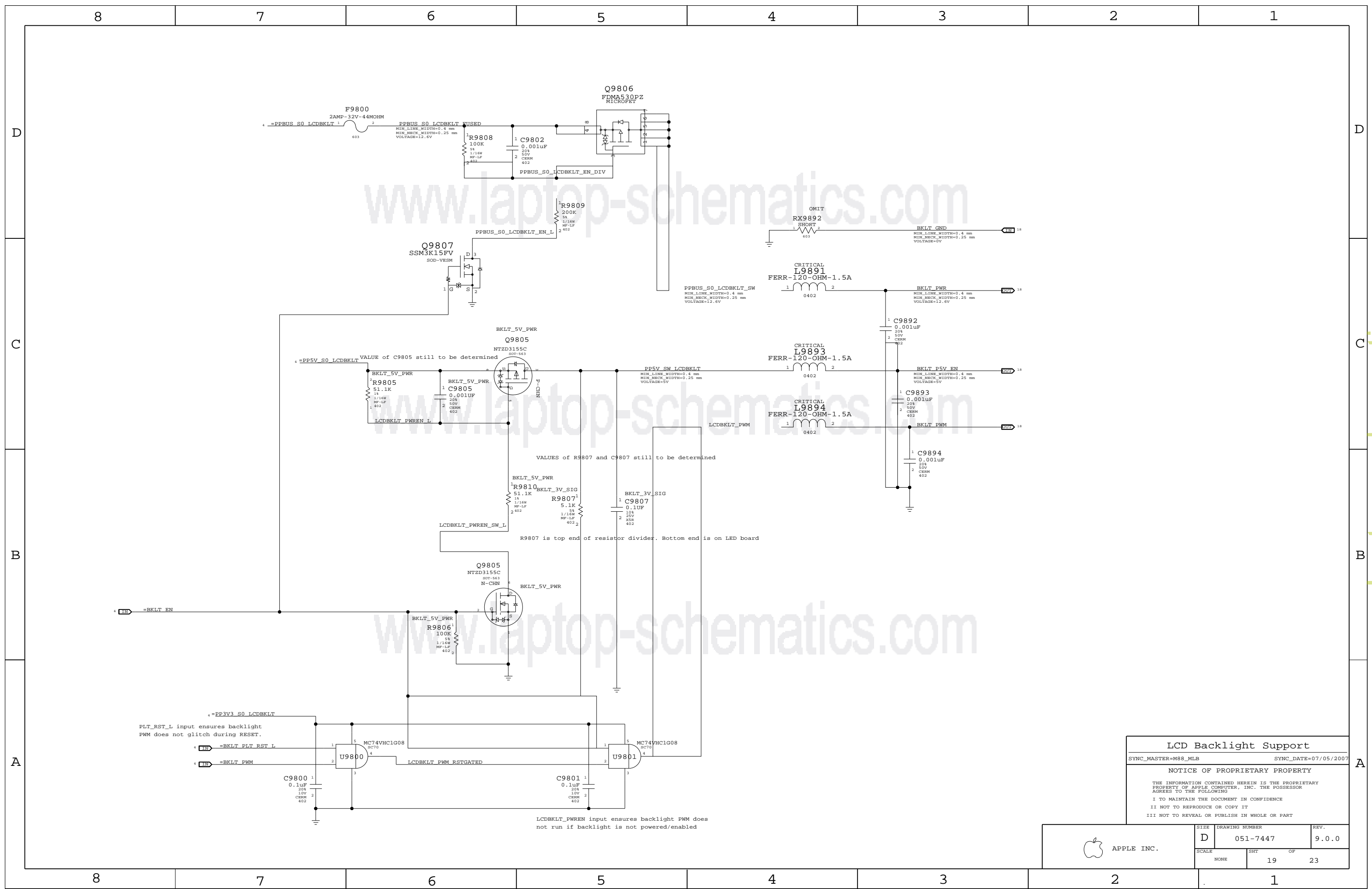


www.laptop-schematics.com

www.laptop-schematics.com

Inverter Connector	
SYNC_MASTER=SPLIT_INVERTER	SYNC_DATE=12/06/2006
NOTICE OF PROPRIETARY PROPERTY	
THE INFORMATION CONTAINED HEREIN IS THE PROPRIETARY PROPERTY OF APPLE COMPUTER, INC. THE POSSESSOR AGREES TO THE FOLLOWING	
I TO MAINTAIN THE DOCUMENT IN CONFIDENCE	
II NOT TO REPRODUCE OR COPY IT	
III NOT TO REVEAL OR PUBLISH IN WHOLE OR PART	

APPLE INC.	SIZE	DRAWING NUMBER	REV.
	D	051-7447	9.0.0
	SCALE	SHT	OF
	NONE	18	23



www.laptop-schematics.com

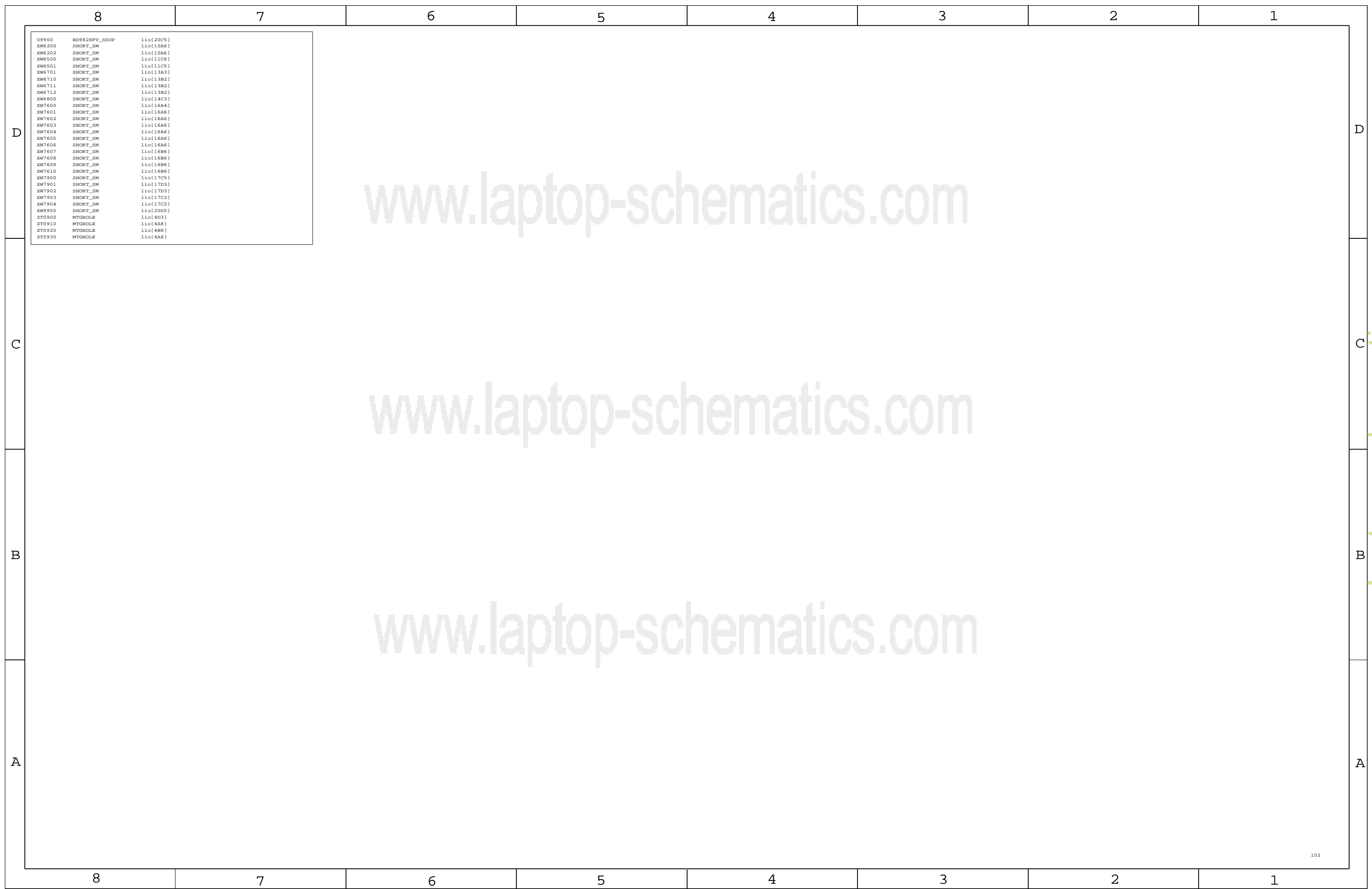
www.laptop-schematics.com

www.laptop-schematics.com

www.laptop-schematics.com

LCD Backlight Support
 SYNC_MASTER=M88_MLB SYNC_DATE=07/05/2007
NOTICE OF PROPRIETARY PROPERTY
 THE INFORMATION CONTAINED HEREIN IS THE PROPRIETARY PROPERTY OF APPLE COMPUTER, INC. THE POSSESSOR AGREES TO THE FOLLOWING
 I TO MAINTAIN THE DOCUMENT IN CONFIDENCE
 II NOT TO REPRODUCE OR COPY IT
 III NOT TO REVEAL OR PUBLISH IN WHOLE OR PART

APPLE INC.	SIZE	DRAWING NUMBER	REV.
	D	051-7447	9.0.0
SCALE	SHT	OF	
NONE	19	23	



U9900	BD9828FV_SSOP	lio[20C5]
XW6200	SHORT_SM	lio[10A6]
XW6202	SHORT_SM	lio[10A6]
XW6500	SHORT_SM	lio[11C6]
XW6501	SHORT_SM	lio[11C5]
XW6701	SHORT_SM	lio[13A3]
XW6710	SHORT_SM	lio[13B2]
XW6711	SHORT_SM	lio[13B2]
XW6712	SHORT_SM	lio[13B2]
XW6800	SHORT_SM	lio[14C3]
XW7600	SHORT_SM	lio[16A4]
XW7601	SHORT_SM	lio[16A6]
XW7602	SHORT_SM	lio[16A6]
XW7603	SHORT_SM	lio[16A6]
XW7604	SHORT_SM	lio[16A6]
XW7605	SHORT_SM	lio[16A6]
XW7606	SHORT_SM	lio[16A6]
XW7607	SHORT_SM	lio[16B6]
XW7608	SHORT_SM	lio[16B6]
XW7609	SHORT_SM	lio[16B6]
XW7610	SHORT_SM	lio[16B6]
XW7900	SHORT_SM	lio[17C5]
XW7901	SHORT_SM	lio[17D3]
XW7902	SHORT_SM	lio[17D3]
XW7903	SHORT_SM	lio[17C2]
XW7904	SHORT_SM	lio[17C2]
XW9950	SHORT_SM	lio[20D5]
ZT0900	MTGHOLE	lio[4D3]
ZT0910	MTGHOLE	lio[4A8]
ZT0920	MTGHOLE	lio[4B8]
ZT0930	MTGHOLE	lio[4A8]

www.laptop-schematics.com

www.laptop-schematics.com

www.laptop-schematics.com

www.laptop-schematics.com