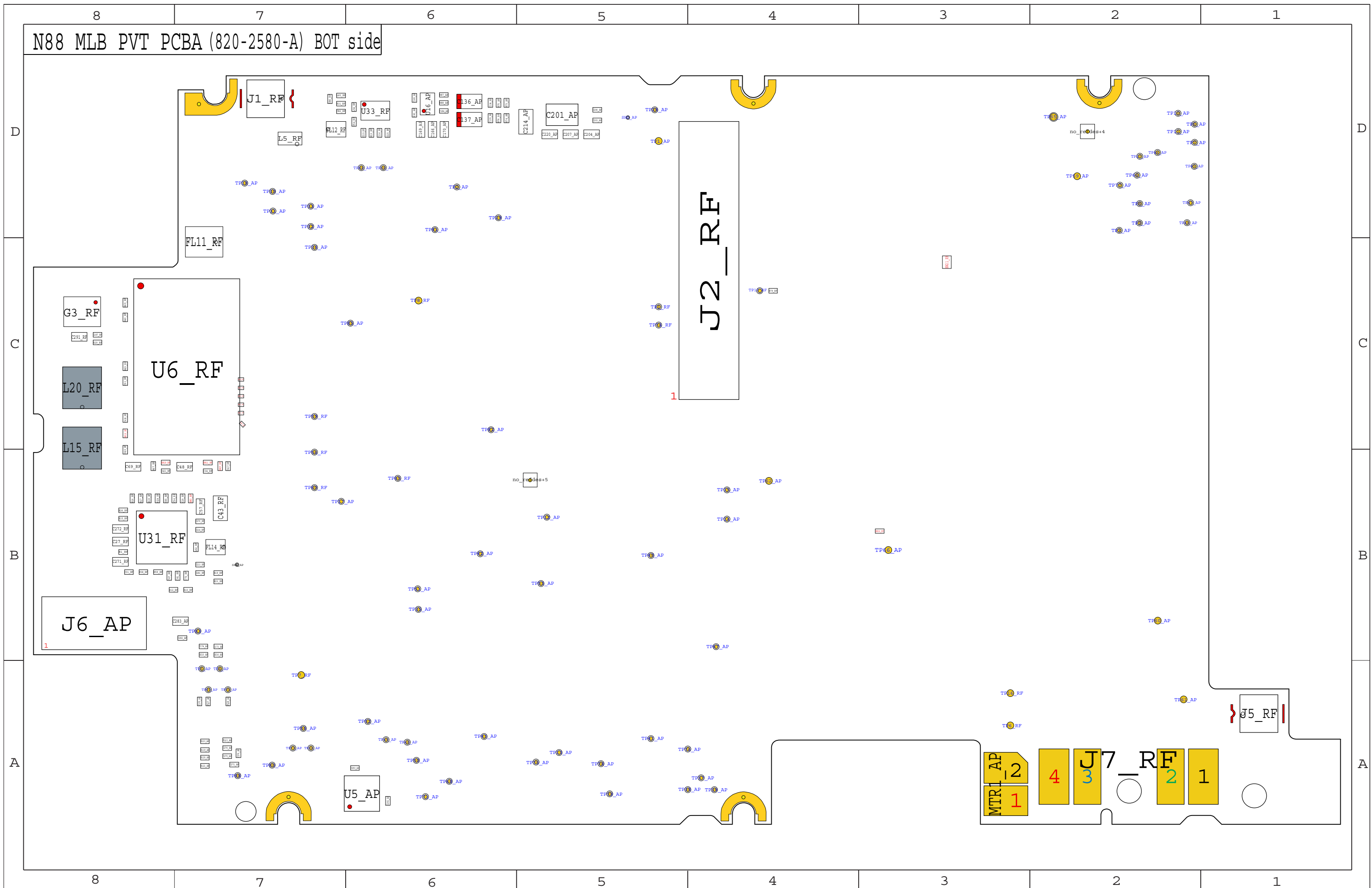


iPhone 3GS Advanced Schematic By OM Tesla



N88 MLB PVT PCBA (820-2580-A) BOT side



iPhone 3GS 7/10/2009 REVA

PAGE	CONTENTS
02	RADIO AND AP SCHEMATIC INSTANTIATION

PART#	QTY	DESCRIPTION	REFERENCE DESIGNATOR(S)	CRITICAL	BOM OPTION
051-8004	1	N88_SCHEMATIC_TOP	SCH	Y	?
820-2580	1	N88_SINGLE_BOARD	PCB	Y	?
PROTO_RADIO	1	2G RF SOLUTION		Y	2G_RF
PROTO_RADIO	1	3G RF SOLUTION		Y	3G_RF
COMPASS	1	BOTTOM COMPASS LOCATION		Y	COMPASS_BOT
COMPASS	1	TOP COMPASS LOCATION		Y	COMPASS_TOP
JTAG	1	JTAG DEVELOPMENT BOM		Y	DEVELOPMENT
JTAG	1	JTAG PRODUCTION BOM		Y	PRODUCTION

BOARD - 820-2580
 SCHEMATIC - 051-8004
 MCO - 056-2731

BOM - 639-0065 (16GB+MURATA)
 BOM - 639-0066 (16GB+MITSUMI)
 BOM - 639-0067 (32GB+MURATA)
 BOM - 639-0068 (32GB+MITSUMI)

NAND BOM OPTIONS

PART#	QTY	DESCRIPTION	REFERENCE DESIGNATOR(S)	CRITICAL	BOM OPTION
335S0643	1	8GB HYNIX 48NM FLASH	U1_AP	Y	FLASH_8GB
335S0642	1	16GB SAMSUNG 42NM FLASH	U1_AP	Y	FLASH_16GB
335S0650	1	32GB SAMSUNG 43NM FLASH	U1_AP	Y	FLASH_32GB

NAND ALTERNATES

PART NUMBER	ALTERNATE FOR PART NUMBER	BOM OPTION	REF DES	COMMENTS:
335S0637	335S0598	FLASH_8GB	U1_AP	8GB SAMSUNG 42NM FLASH
		?		

DEV FUSED BB BOM OPTION

PART#	QTY	DESCRIPTION	REFERENCE DESIGNATOR(S)	CRITICAL	BOM OPTION
998-2348	1	DEV FUSED BB	U22_RF	Y	DEV_FUSED_BB

N88 EEE BOM LABELS

PART#	QTY	DESCRIPTION	REFERENCE DESIGNATOR(S)	CRITICAL	BOM OPTION
825-2029	1	EEE FOR 639-0066 (16G)	EEE:8DL	Y	EEE_16GB_MURATA
825-2029	1	EEE FOR 639-0067 (16G)	EEE:8DM	Y	EEE_16GB_MITSUMI
825-2029	1	EEE FOR 639-0068 (32G)	EEE:8DN	Y	EEE_32GB_MURATA
825-2029	1	EEE FOR 639-0069 (32G)	EEE:8DP	Y	EEE_32GB_MITSUMI

SIM CONNECTOR ALTERNATE

PART NUMBER	ALTERNATE FOR PART NUMBER	BOM OPTION	REF DES	COMMENTS:
512S0069	512S0060	?	J2_AP	SIM CONNECTOR
512S0070	512S0060	?	J2_AP	SIM CONNECTOR

WIFI/BT BOM OPTIONS

PART#	QTY	DESCRIPTION	REFERENCE DESIGNATOR(S)	CRITICAL	BOM OPTION
339S0072	1	MURATA WIFI/BT MODULE	U6_RF	Y	MURATA
339S0077	1	MITSUMI WIFI/BT MODULE	U6_RF	Y	MITSUMI
118S0012	1	MURATA ID RESISTOR	R61_RF	Y	MURATA
118S0012	1	MITSUMI ID RESISTOR	R6_RF	Y	MITSUMI

GPS TCXO BOM OPTIONS

PART#	QTY	DESCRIPTION	REFERENCE DESIGNATOR(S)	CRITICAL	BOM OPTION
197S0290	1	KDS TCXO	G3_RF	Y	KDS_GPS_TCXO
197S0333	1	EPSON TCXO	G3_RF	Y	EPSON_GPS_TCXO

VIDEO AMP ALTERNATE

PART NUMBER	ALTERNATE FOR PART NUMBER	BOM OPTION	REF DES	COMMENTS:
353S1625	353S1650	?	U14_AP	VIDEO AMP

DISPLAY DC-DC ALTERNATE

PART NUMBER	ALTERNATE FOR PART NUMBER	BOM OPTION	REF DES	COMMENTS:
353S1989	353S2529	?	U20_AP	LCM DC-DC

ZIF CONNECTOR ALTERNATE

PART NUMBER	ALTERNATE FOR PART NUMBER	BOM OPTION	REF DES	COMMENTS:
518S0611	518S0600	?	J7_AP	ALS ZIF CONN

26 MHZ ALTERNATE

PART NUMBER	ALTERNATE FOR PART NUMBER	BOM OPTION	REF DES	COMMENTS:
197S0255	197S0275	?	G2_RF	RF 26 MHZ CLK

BAND 2 PA

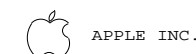
PART#	QTY	DESCRIPTION	REFERENCE DESIGNATOR(S)	CRITICAL	BOM OPTION
353S2363	1	BAND 2 PA, IPX	U37_RF	Y	IPX_BAW
353S2522	1	BAND 2 PA, TRIQUINT	U37_RF	Y	TQNT_BAW

RF DDR MEMORY

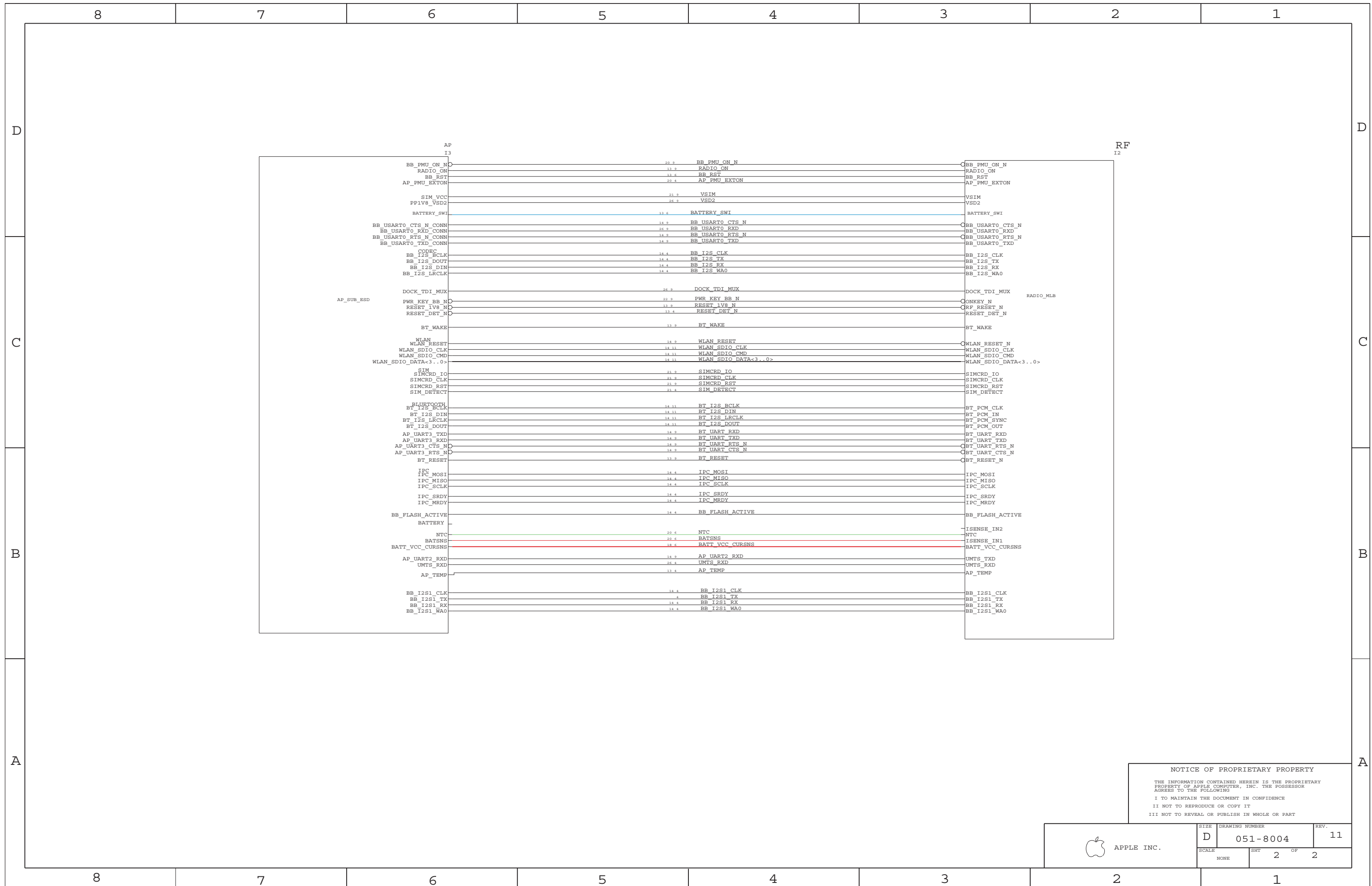
PART#	QTY	DESCRIPTION	REFERENCE DESIGNATOR(S)	CRITICAL	BOM OPTION
335S0617	1	SPANSION DDR	U1_RF	Y	RF_SPANSION
335S0652	1	NUMONYX DDR	U1_RF	Y	RF_NUMONYX
335S0632	1	SAMSUNG DDR	U1_RF	Y	RF_SAMSUNG
341S2474	1	ALL SUPPLIER SUB-BOM DDR	U1_RF	Y	RF_PROGRAMMED_BASEBAND_MEMORY

NOTICE OF PROPRIETARY PROPERTY

THE INFORMATION CONTAINED HEREIN IS THE PROPRIETARY PROPERTY OF APPLE COMPUTER, INC. THE POSSESSOR AGREES TO THE FOLLOWING
 I TO MAINTAIN THE DOCUMENT IN CONFIDENCE
 II NOT TO REPRODUCE OR COPY IT
 III NOT TO REVEAL OR PUBLISH IN WHOLE OR PART



SIZE	DRAWING NUMBER	REV.
D	051-8004	11
SCALE	SHT	OF
NONE	1	2



NOTICE OF PROPRIETARY PROPERTY
 THE INFORMATION CONTAINED HEREIN IS THE PROPRIETARY PROPERTY OF APPLE COMPUTER, INC. THE POSSESSOR AGREES TO THE FOLLOWING
 I TO MAINTAIN THE DOCUMENT IN CONFIDENCE
 II NOT TO REPRODUCE OR COPY IT
 III NOT TO REVEAL OR PUBLISH IN WHOLE OR PART

	SIZE	DRAWING NUMBER	REV.
	D	051-8004	11
SCALE	SHT 2 OF 2		
NONE			

iPhone 3GS (ICE2.1) HSDPA RADIO


06/23/09(A):BRD

PAGE	CONTENTS
02	BASEBAND
03	BASEBAND + MEMORY
04	BASEBAND PMU
05	GSM & UMTS TRANSCEIVER
06	POWER AMPS AND RF FRONT END
07	SYSTEM CONNECTORS
08	A-GPS
09	WLAN AND BLUETOOTH RADIO

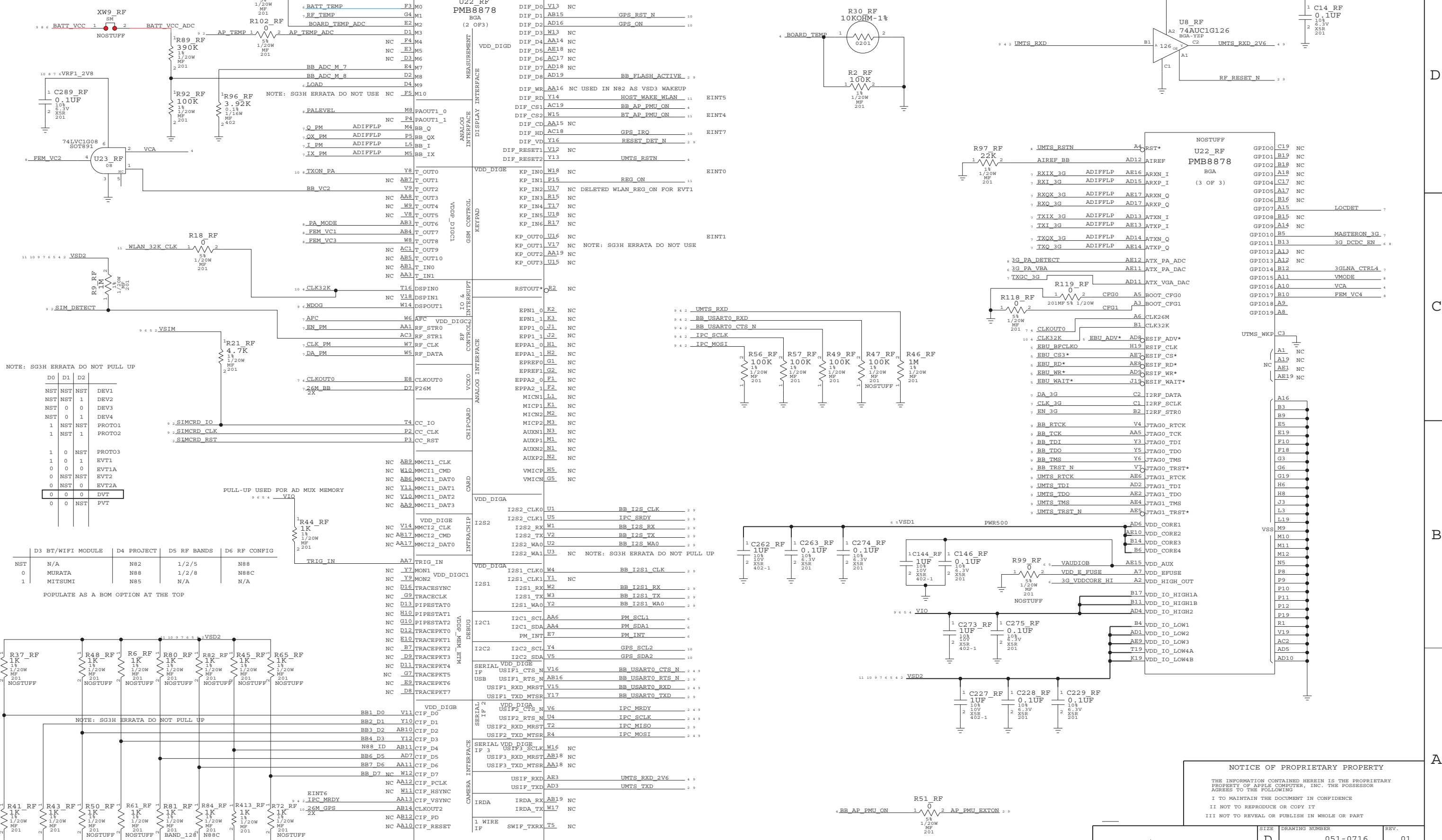
BOARD - 920-0593
 SCHEMATIC - 951-0716
 BOM - 630-9356

PART#	QTY	DESCRIPTION	REFERENCE DESIGNATOR(S)	CRITICAL	BOM OPTION
951-0716	1	N82_RF_AND_AP_SCHEMATIC	SCH	Y	
920-0593	1	N82_RF_AND_AP_PCB	PCB	Y	
825-2029	1	EEE: Y5K(8GB), YEU(16GB)	EEE:Y5K	Y	

NOTICE OF PROPRIETARY PROPERTY
 THE INFORMATION CONTAINED HEREIN IS THE PROPRIETARY PROPERTY OF APPLE COMPUTER, INC. THE POSSESSOR AGREES TO THE FOLLOWING
 I TO MAINTAIN THE DOCUMENT IN CONFIDENCE
 II NOT TO REPRODUCE OR COPY IT
 III NOT TO REVEAL OR PUBLISH IN WHOLE OR PART

 APPLE INC.	SIZE D	DRAWING NUMBER 051-0716	REV. 01
	SCALE NONE	SHT 1 OF 9	

BASEBAND



NOTICE OF PROPRIETARY PROPERTY

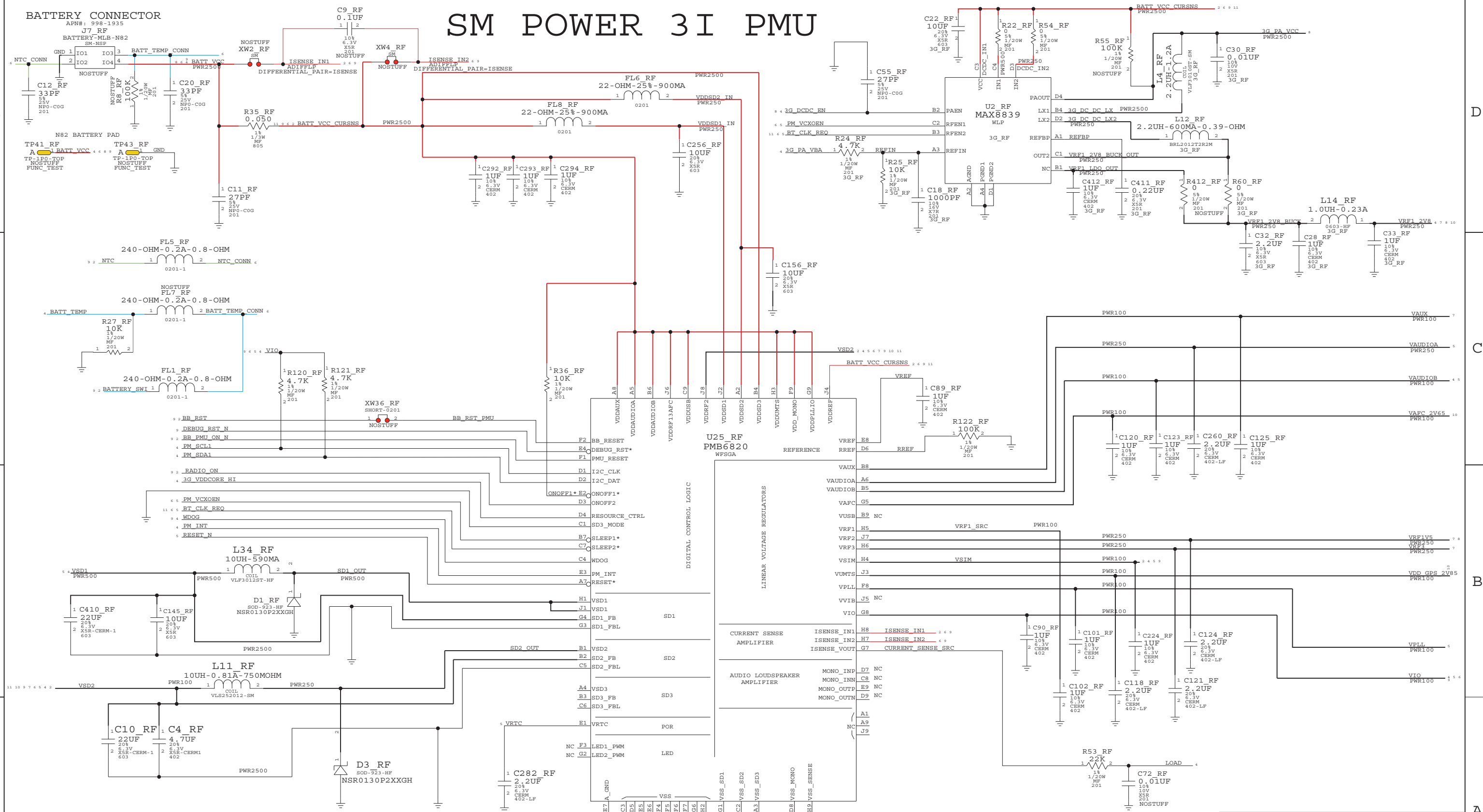
THE INFORMATION CONTAINED HEREIN IS THE PROPRIETARY PROPERTY OF APPLE COMPUTER, INC. THE POSSESSOR AGREES TO THE FOLLOWING:

I TO MAINTAIN THE DOCUMENT IN CONFIDENCE

II NOT TO REPRODUCE OR COPY IT

III NOT TO REVEAL OR PUBLISH IN WHOLE OR PART

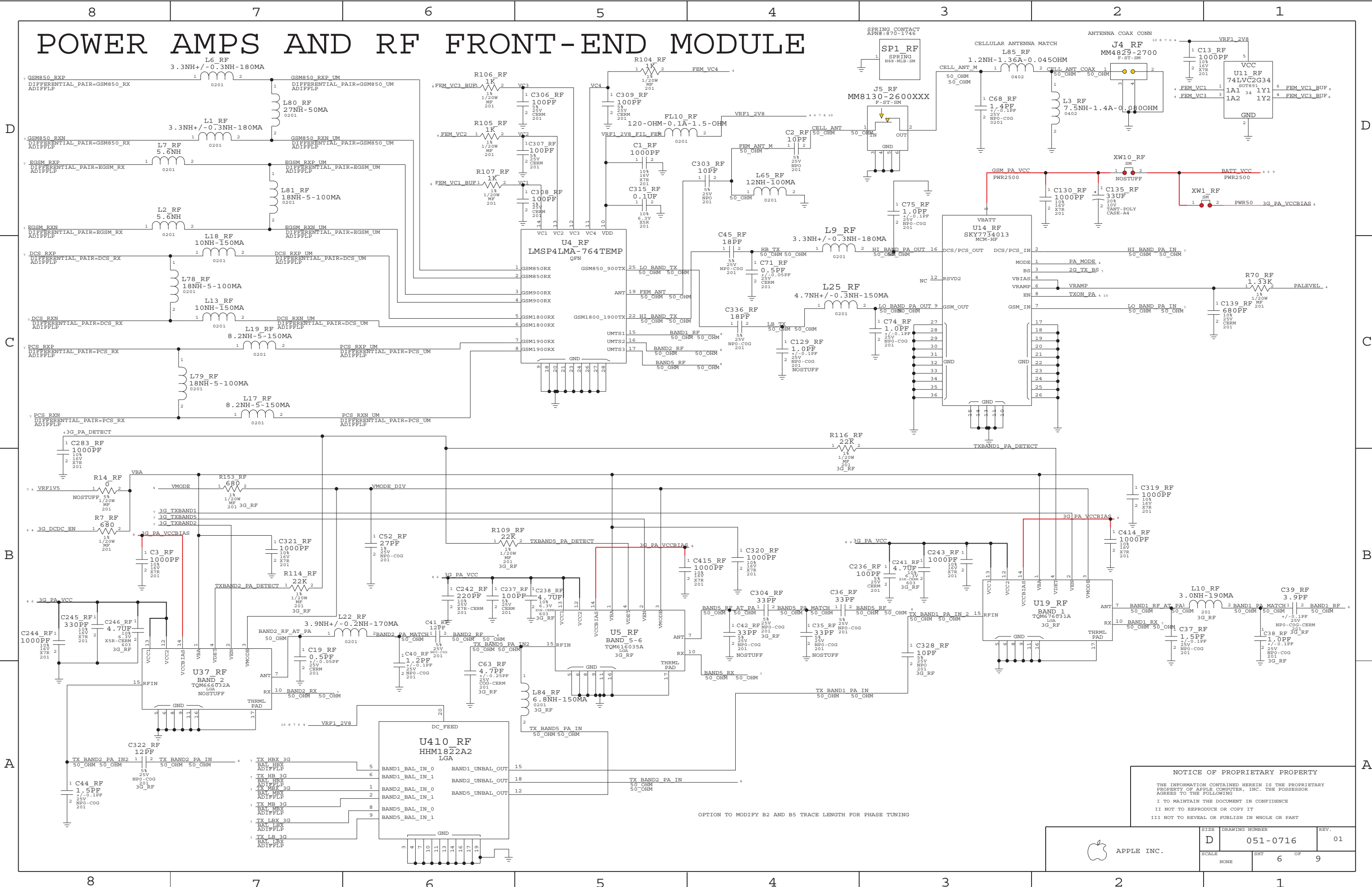
SM POWER 3I PMU



NOTICE OF PROPRIETARY PROPERTY
 THE INFORMATION CONTAINED HEREIN IS THE PROPRIETARY PROPERTY OF APPLE COMPUTER, INC. THE POSSESSOR AGREES TO THE FOLLOWING:
 I TO MAINTAIN THE DOCUMENT IN CONFIDENCE
 II NOT TO REPRODUCE OR COPY IT
 III NOT TO REVEAL OR PUBLISH IN WHOLE OR PART

APPLE INC.	SIZE	DRAWING NUMBER	REV.
	D	051-0716	01
SCALE	SHT	OF	
NONE	4	9	

POWER AMPS AND RF FRONT-END MODULE



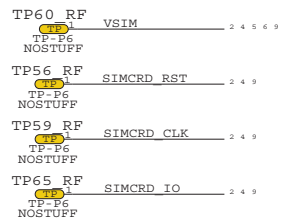
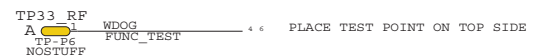
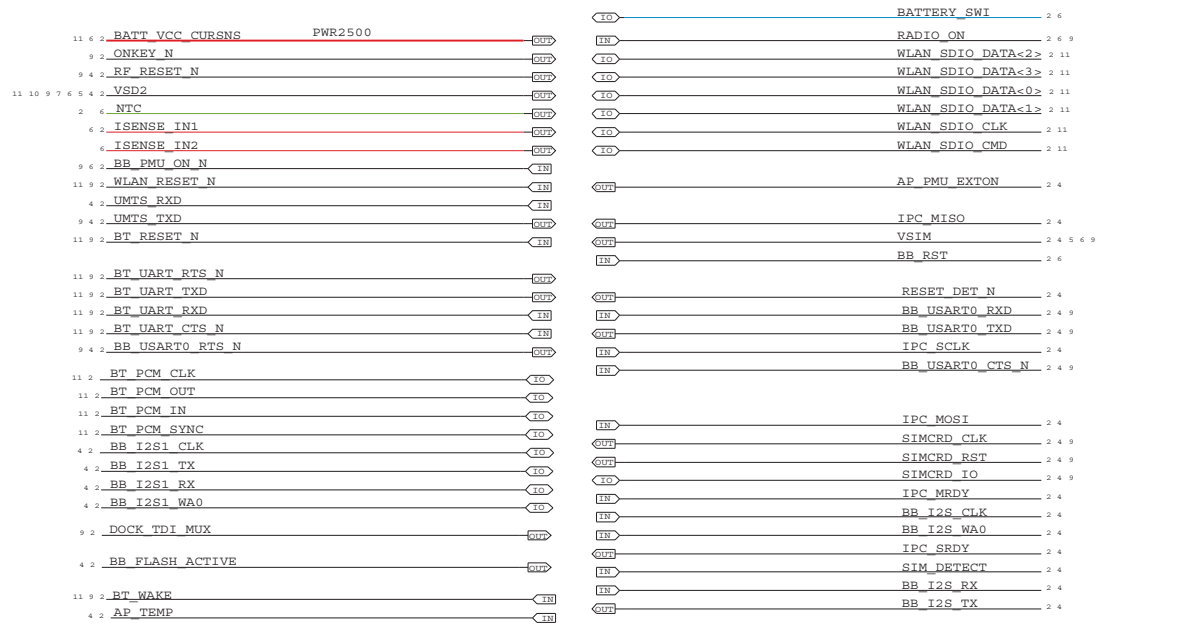
NOTICE OF PROPRIETARY PROPERTY
 THE INFORMATION CONTAINED HEREIN IS THE PROPRIETARY PROPERTY OF APPLE COMPUTER, INC. THE POSSESSOR AGREES TO THE FOLLOWING:
 I TO MAINTAIN THE DOCUMENT IN CONFIDENCE
 II NOT TO REPRODUCE OR COPY IT
 III NOT TO REVEAL OR PUBLISH IN WHOLE OR PART

	SIZE	DRAWING NUMBER	REV.
	D	051-0716	01
SCALE	SHT	OF	
NONE	6	9	

OPTION TO MODIFY B2 AND B5 TRACE LENGTH FOR PHASE TUNING

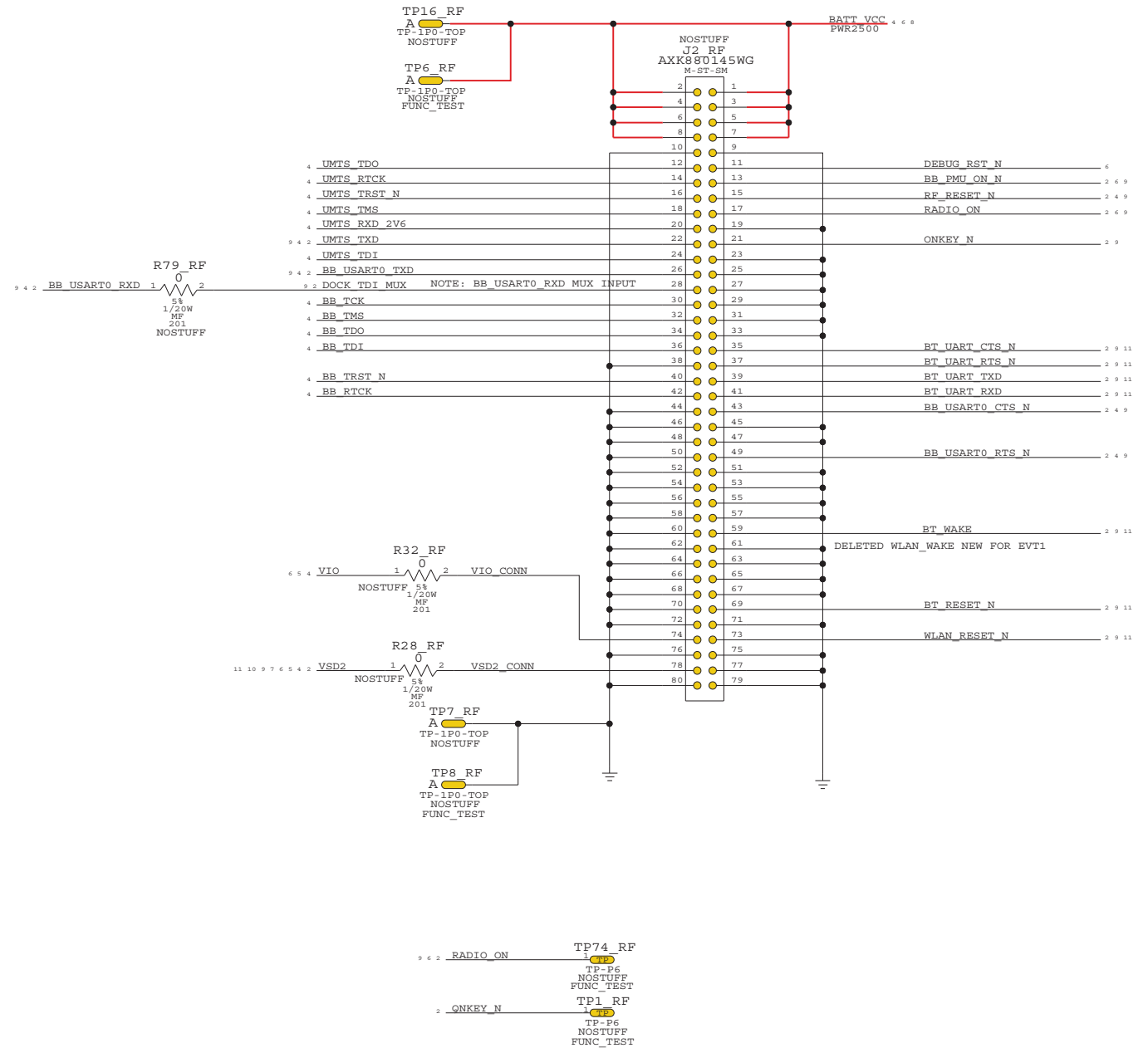
SYSTEM CONNECTORS

AP CONNECTIONS



NOTE: FOR DEBUG FIXTURES WHEN UART MUXES ARE NOSTUFF

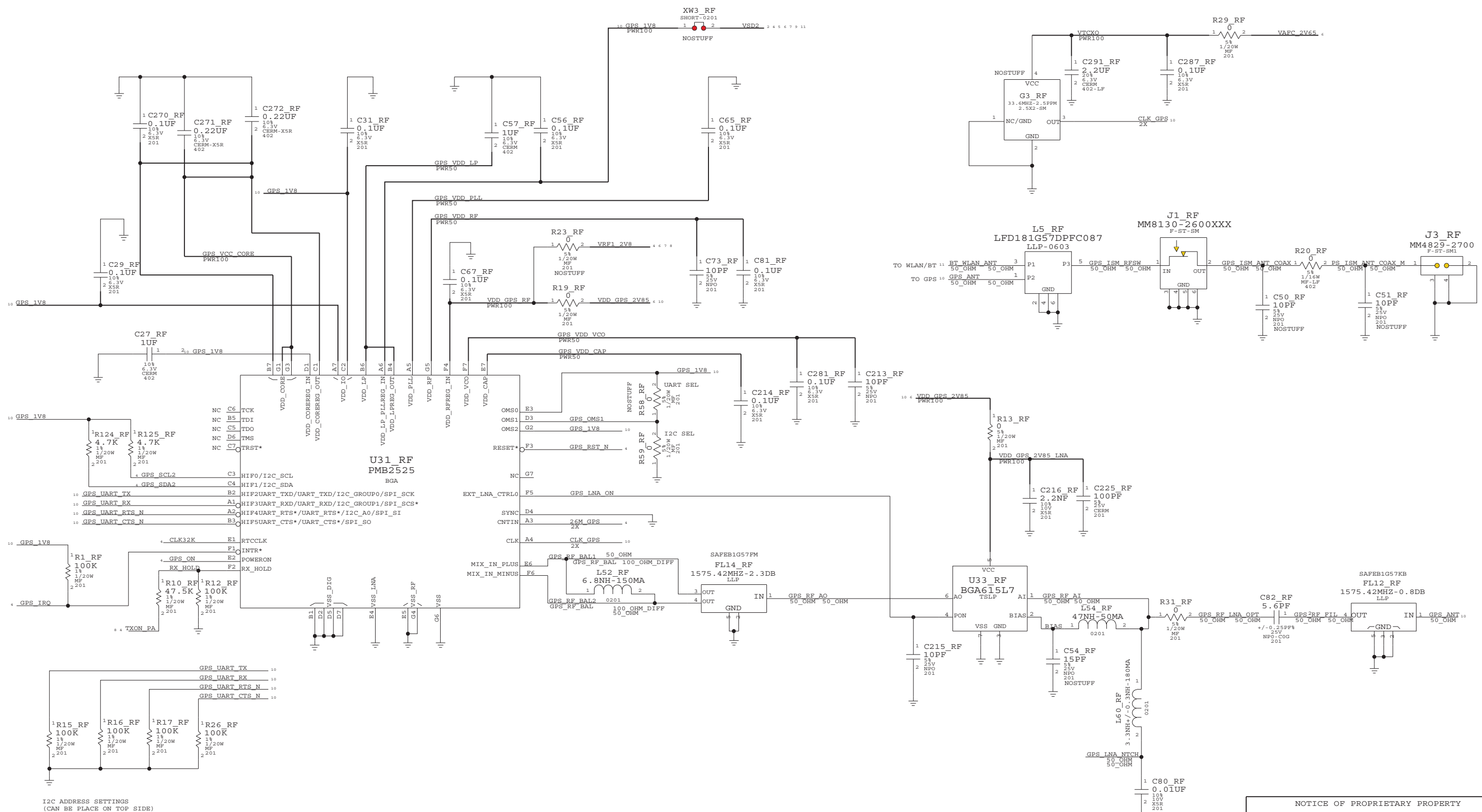
DEBUG CONNECTOR 516S0612



NOTICE OF PROPRIETARY PROPERTY
 THE INFORMATION CONTAINED HEREIN IS THE PROPRIETARY PROPERTY OF APPLE COMPUTER, INC. THE POSSESSOR AGREES TO THE FOLLOWING:
 I TO MAINTAIN THE DOCUMENT IN CONFIDENCE
 II NOT TO REPRODUCE OR COPY IT
 III NOT TO REVEAL OR PUBLISH IN WHOLE OR PART

APPLE INC.	SIZE	DRAWING NUMBER	REV.
	D	051-0716	01
SCALE	SHT 7 OF 9		
NONE			

A-GPS

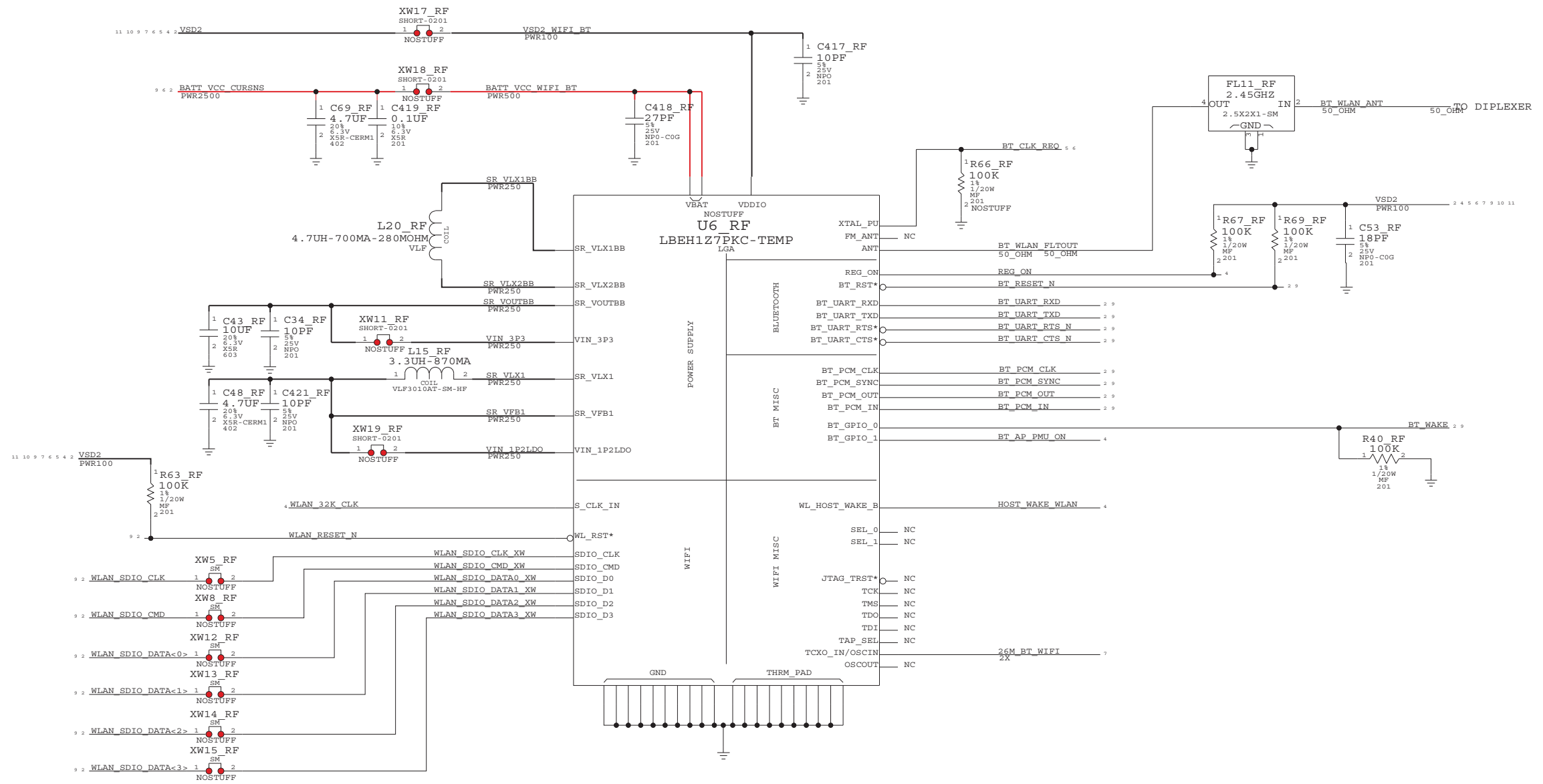


I2C ADDRESS SETTINGS
(CAN BE PLACE ON TOP SIDE)

NOTICE OF PROPRIETARY PROPERTY
 THE INFORMATION CONTAINED HEREIN IS THE PROPRIETARY PROPERTY OF APPLE COMPUTER, INC. THE POSSESSOR AGREES TO THE FOLLOWING
 I TO MAINTAIN THE DOCUMENT IN CONFIDENCE
 II NOT TO REPRODUCE OR COPY IT
 III NOT TO REVEAL OR PUBLISH IN WHOLE OR PART

	SIZE	DRAWING NUMBER	REV.
	D	051-0716	01
SCALE	SHT	OF	
NONE	8	9	

WLAN RADIO



NOTICE OF PROPRIETARY PROPERTY
 THE INFORMATION CONTAINED HEREIN IS THE PROPRIETARY PROPERTY OF APPLE COMPUTER, INC. THE POSSESSOR AGREES TO THE FOLLOWING
 I TO MAINTAIN THE DOCUMENT IN CONFIDENCE
 II NOT TO REPRODUCE OR COPY IT
 III NOT TO REVEAL OR PUBLISH IN WHOLE OR PART

APPLE INC.	SIZE	DRAWING NUMBER	REV.
	D	951-0716	01
SCALE	SHT 9 OF 9		
NONE			

8

7

6

5

4

3

2

1

iPhone 3GS H2-BASED SUB-DESIGN 07/10/09 BOARD REVA

D

D

PDF PAGE	CSA PAGE	CONTENTS	SYNC MASTER	DATE
1	1	Table of Contents	N/A	N/A
2	2	AP MAIN	N/A	N/A
3	3	AP PWR, AP WIFI/MIPI	N/A	N/A
4	4	AP NAND	N/A	N/A
5	5	AP RGB/CLCD	N/A	N/A
6	6	AP TVOUT	N/A	N/A
7	7	L61 AUDIO INTERFACE	N/A	N/A
8	8	L61 HP	N/A	N/A
9	9	PMU	N/A	N/A
10	10	SIM, ACCEL, VIBE	N/A	N/A
11	11	INTERFACE ASSIGNMENTS	N/A	N/A
12	12	DOCK	N/A	N/A
13	13	NIMBUS	N/A	N/A
14	14	CAMERA	N/A	N/A
15	15	RADIO CONNECTIVITY	N/A	N/A
16	16	PROX, ALS	N/A	N/A
17	32	Cross Reference Page		
18	33	Cross Reference Page		
19	34	Cross Reference Page		
20	35	Cross Reference Page		
21	36	Cross Reference Page		
22	37	Cross Reference Page		

PDF PAGE	CSA PAGE	CONTENTS	SYNC MASTER	DATE
23	38	Cross Reference Page		
24	39	Cross Reference Page		
25	40	Cross Reference Page		

C

C

B

B

A


A

PART#	QTY	DESCRIPTION	REFERENCE DESIGNATOR(S)	CRITICAL	BOM OPTION
951-0719	1	P4C_DEV_SCHEMATIC	SCH	Y	
920-0596	1	P4C_DEV_PCB	PCB	Y	
825-2029	1	EEE	EEE:???	Y	

SOCKET BOM OPTIONS

PART#	QTY	DESCRIPTION	REFERENCE DESIGNATOR(S)	CRITICAL	BOM OPTION
998-1925	1	M2_TEST_SOCKET	SKT1	Y	SOCKET
998-1922	1	NUMBUS TEST SOCKET	SKT2	Y	SOCKET

Table of Contents		
SYNC_MASTER=N/A		SYNC_DATE=N/A
NOTICE OF PROPRIETARY PROPERTY		
THE INFORMATION CONTAINED HEREIN IS THE PROPRIETARY PROPERTY OF APPLE COMPUTER, INC. THE POSSESSOR AGREES TO THE FOLLOWING		
I TO MAINTAIN THE DOCUMENT IN CONFIDENCE		
II NOT TO REPRODUCE OR COPY IT		
III NOT TO REVEAL OR PUBLISH IN WHOLE OR PART		

 APPLE INC.	SIZE D	DRAWING NUMBER 951-0719	REV. 1
	SCALE NONE	SH1 1	OF 25

8

7

6

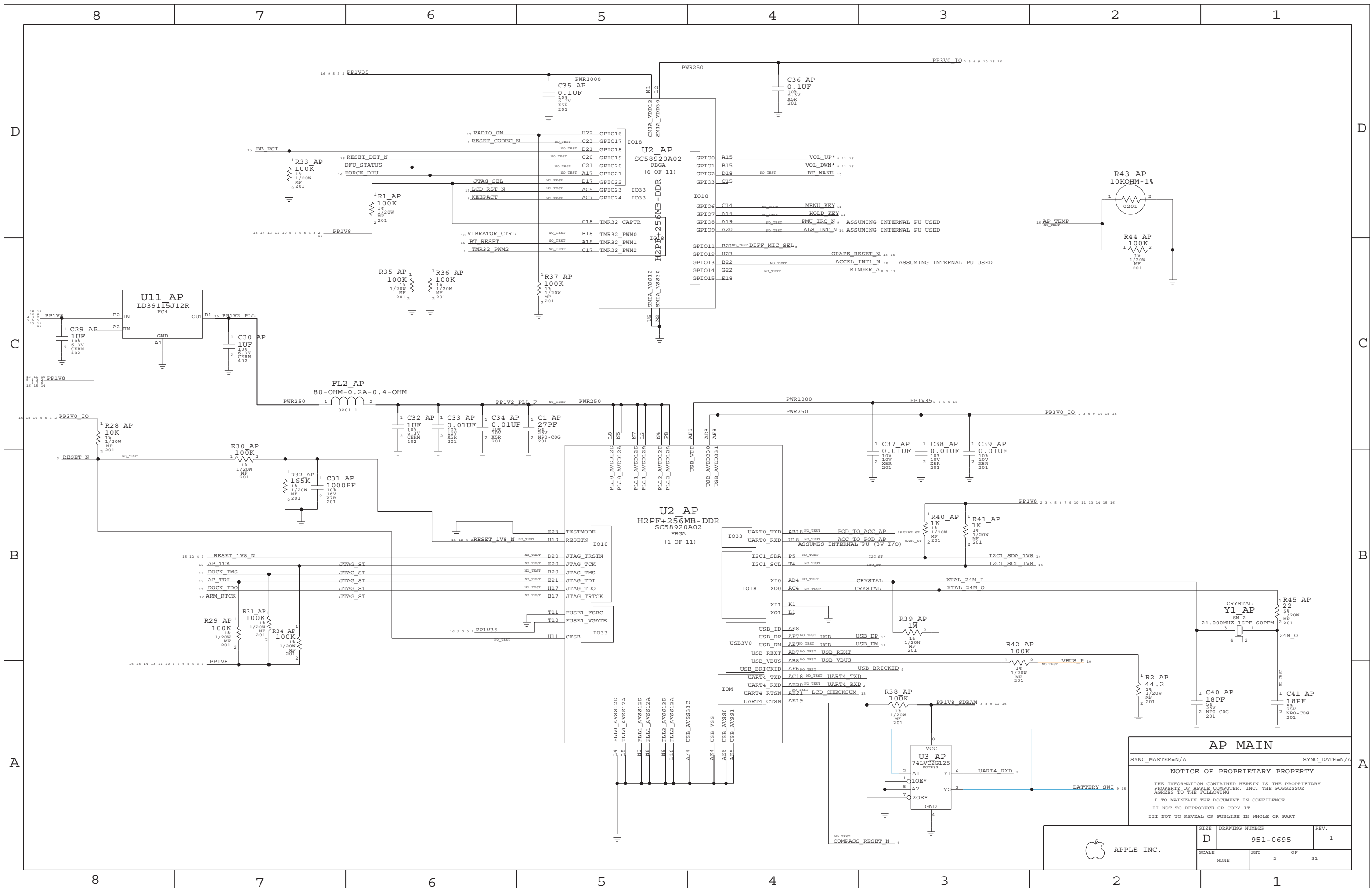
5

4

3

2

1



AP MAIN

SYNC_MASTER=N/A SYNC_DATE=N/A

NOTICE OF PROPRIETARY PROPERTY

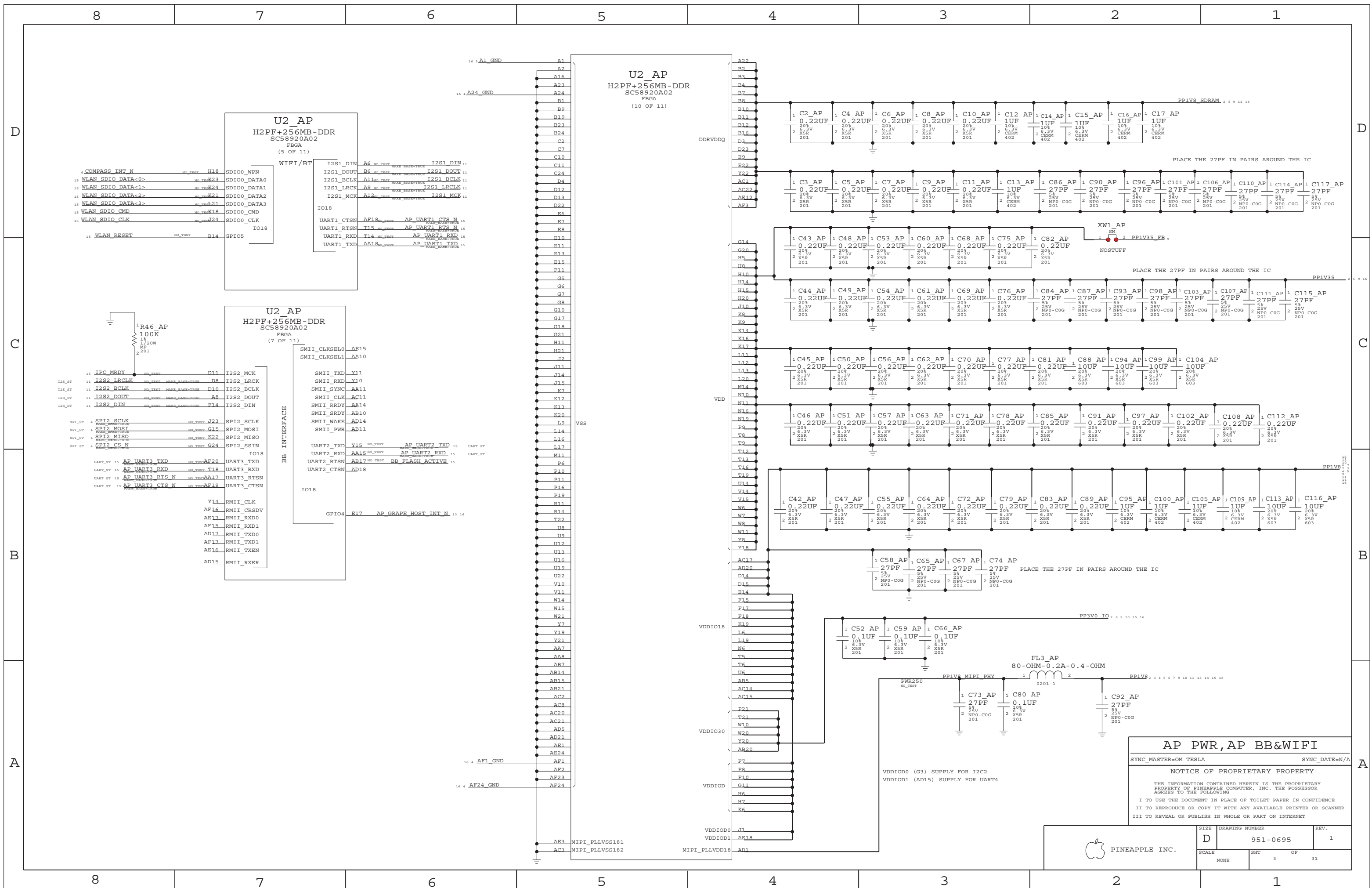
THE INFORMATION CONTAINED HEREIN IS THE PROPRIETARY PROPERTY OF APPLE COMPUTER, INC. THE POSSESSOR AGREES TO THE FOLLOWING

I TO MAINTAIN THE DOCUMENT IN CONFIDENCE

II NOT TO REPRODUCE OR COPY IT

III NOT TO REVEAL OR PUBLISH IN WHOLE OR PART

APPLE INC.	SIZE D	DRAWING NUMBER 951-0695	REV. 1
	SCALE NONE	SHEET 2	OF 31



U2_AP
 H2PF+256MB-DDR
 SC58920A02
 FBGA
 (10 OF 11)

U2_AP
 H2PF+256MB-DDR
 SC58920A02
 FBGA
 (5 OF 11)

U2_AP
 H2PF+256MB-DDR
 SC58920A02
 FBGA
 (7 OF 11)

BB INTERFACE

PLACE THE 27PF IN PAIRS AROUND THE IC

AP PWR, AP BB&WIFI
 SYNC_MASTER=OM TESLA SYNC_DATE=N/A

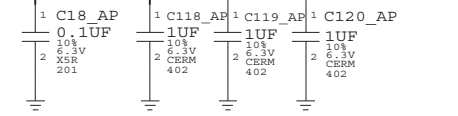
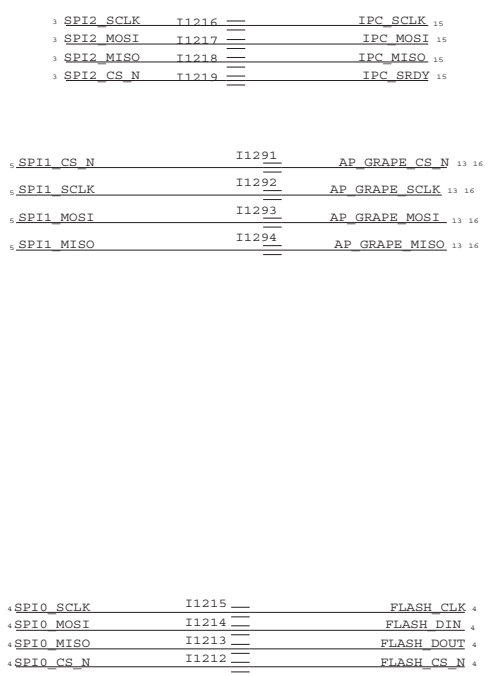
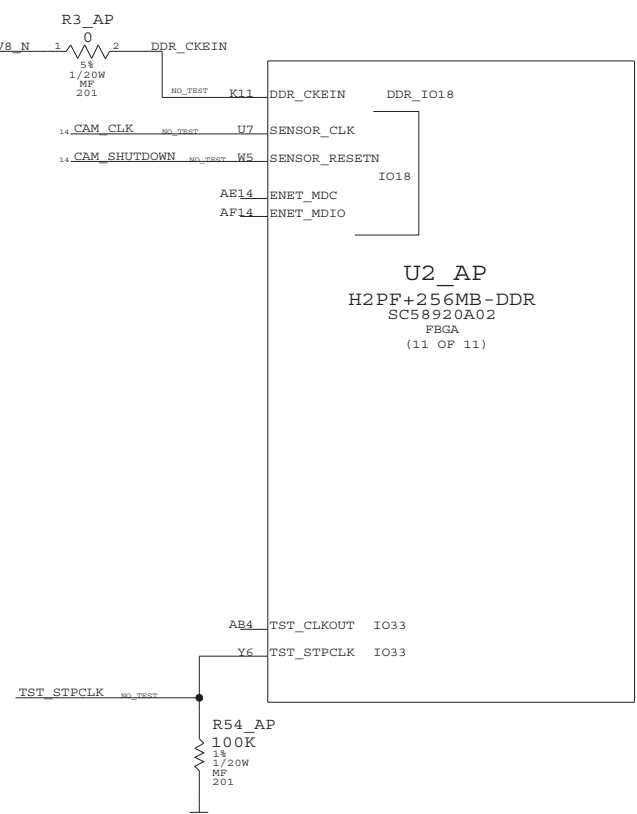
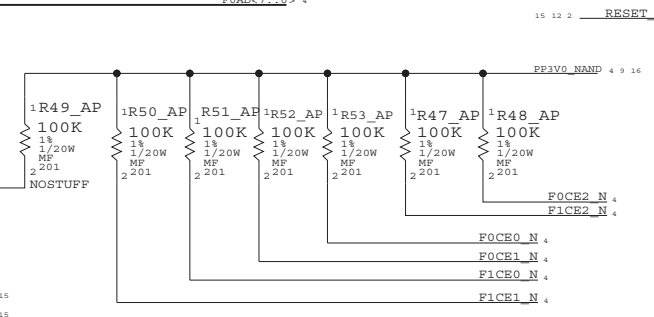
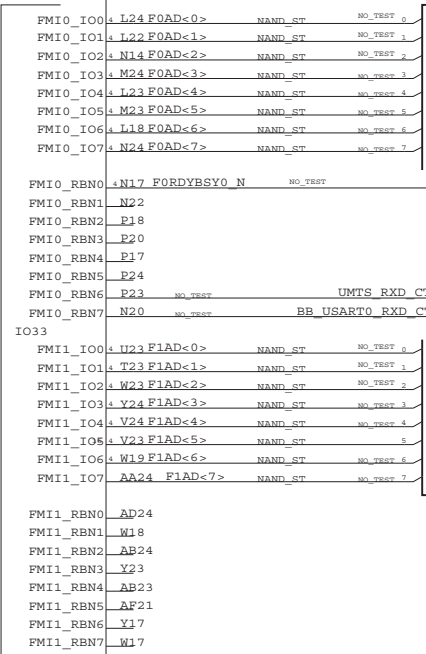
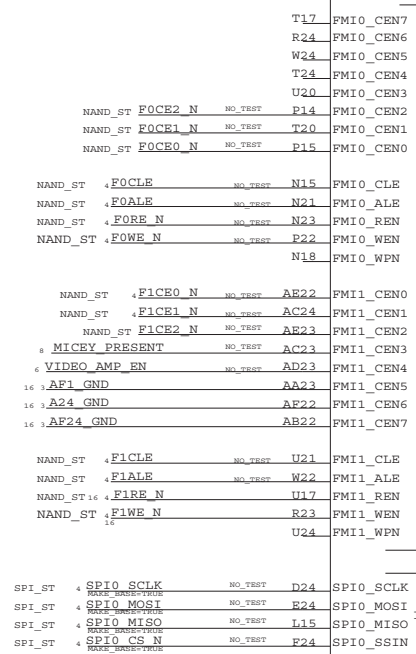
NOTICE OF PROPRIETARY PROPERTY
 THE INFORMATION CONTAINED HEREIN IS THE PROPRIETARY PROPERTY OF PINEAPPLE COMPUTER, INC. THE POSSESSOR AGREES TO THE FOLLOWING
 I TO USE THE DOCUMENT IN PLACE OF TOILET PAPER IN CONFIDENCE
 II TO REPRODUCE OR COPY IT WITH ANY AVAILABLE PRINTER OR SCANNER
 III TO REVEAL OR PUBLISH IN WHOLE OR PART ON INTERNET

	SIZE	DRAWING NUMBER	REV.
	D	951-0695	1
SCALE	SHT	OF	31
NONE	3		

NAND FLASH

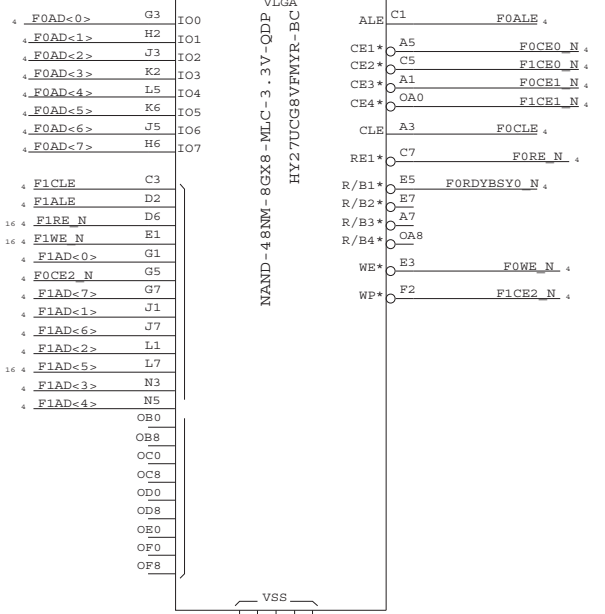
U2_AP
H2PF+256MB-DDR
SC58920A02
FBGA

FLASH

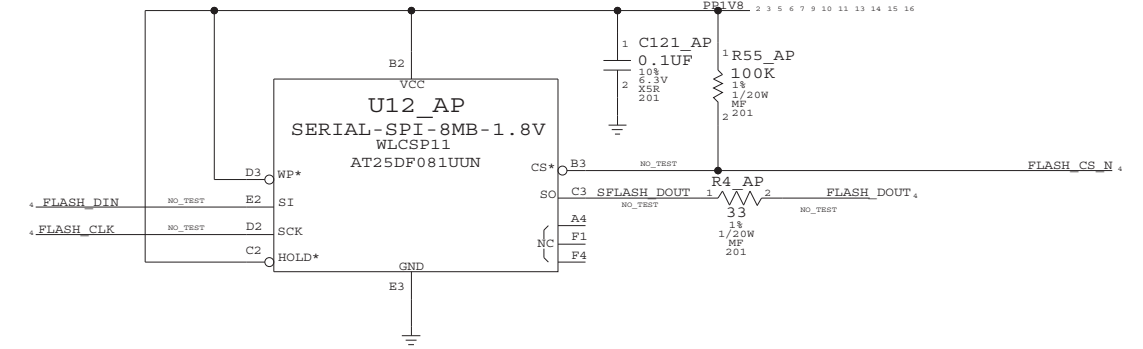


NAND, BANK ZERO

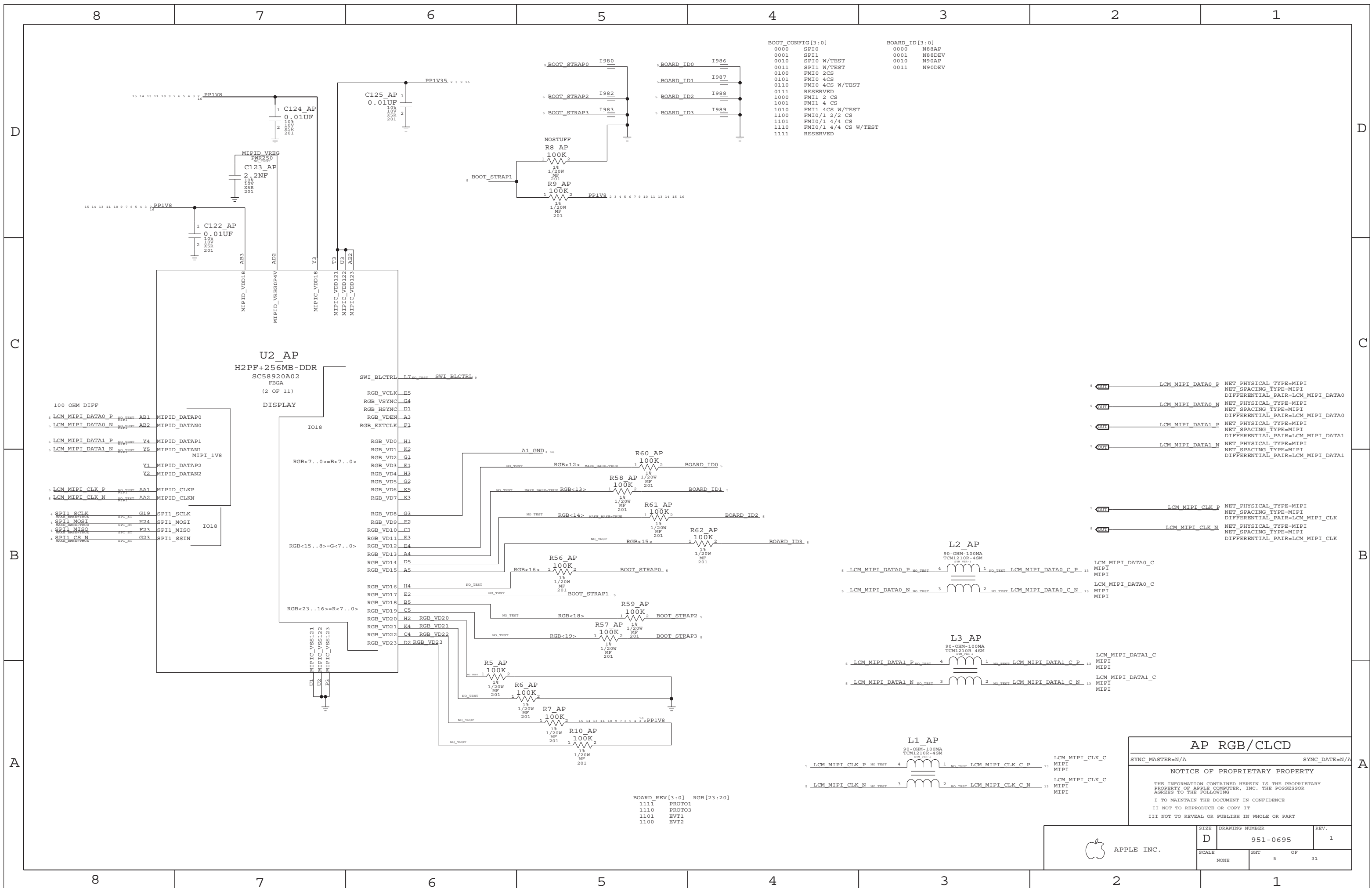
U1_AP
NOSTUFF
VCC



1.8V SERIAL FLASH



AP NAND
SYNC_MASTER=N/A SYNC_DATE=N/A
NOTICE OF PROPRIETARY PROPERTY
THE INFORMATION CONTAINED HEREIN IS THE PROPRIETARY PROPERTY OF APPLE COMPUTER, INC. THE POSSESSOR AGREES TO THE FOLLOWING
I TO MAINTAIN THE DOCUMENT IN CONFIDENCE
II NOT TO REPRODUCE OR COPY IT
III NOT TO REVEAL OR PUBLISH IN WHOLE OR PART



BOOT_CONFIG[3:0]	BOARD_ID[3:0]
0000	SPI0
0001	SPI1
0010	SPI0 W/TEST
0011	SPI1 W/TEST
0100	FMIO 2CS
0101	FMIO 4CS
0110	FMIO 4CS W/TEST
0111	RESERVED
1000	FMIO 2 CS
1001	FMIO 4 CS
1010	FMIO 4CS W/TEST
1100	FMIO/1 2/2 CS
1101	FMIO/1 4/4 CS
1110	FMIO/1 4/4 CS W/TEST
1111	RESERVED

BOARD_REV[3:0]	RGB[23:20]
1111	PROTO1
1110	PROTO3
1101	EVT1
1100	EVT2

AP RGB/CLCD

SYNC_MASTER=N/A SYNC_DATE=N/A

NOTICE OF PROPRIETARY PROPERTY

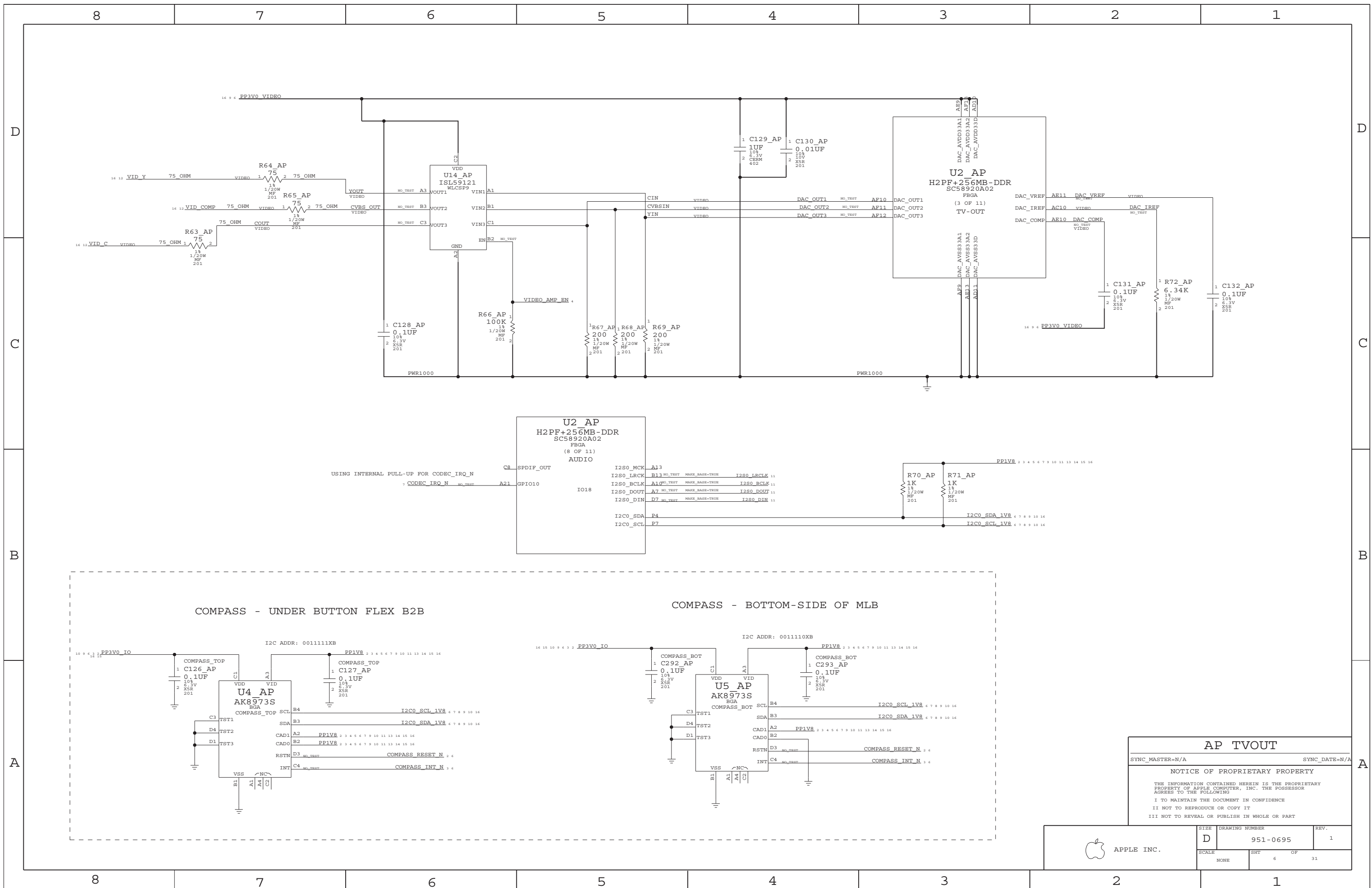
THE INFORMATION CONTAINED HEREIN IS THE PROPRIETARY PROPERTY OF APPLE COMPUTER, INC. THE POSSESSOR AGREES TO THE FOLLOWING

I TO MAINTAIN THE DOCUMENT IN CONFIDENCE

II NOT TO REPRODUCE OR COPY IT

III NOT TO REVEAL OR PUBLISH IN WHOLE OR PART

 APPLE INC.	SIZE	DRAWING NUMBER	REV.
	D	951-0695	1
SCALE	SHT 5 OF 31		



AP TVOUT

SYNC_MASTER=N/A SYNC_DATE=N/A

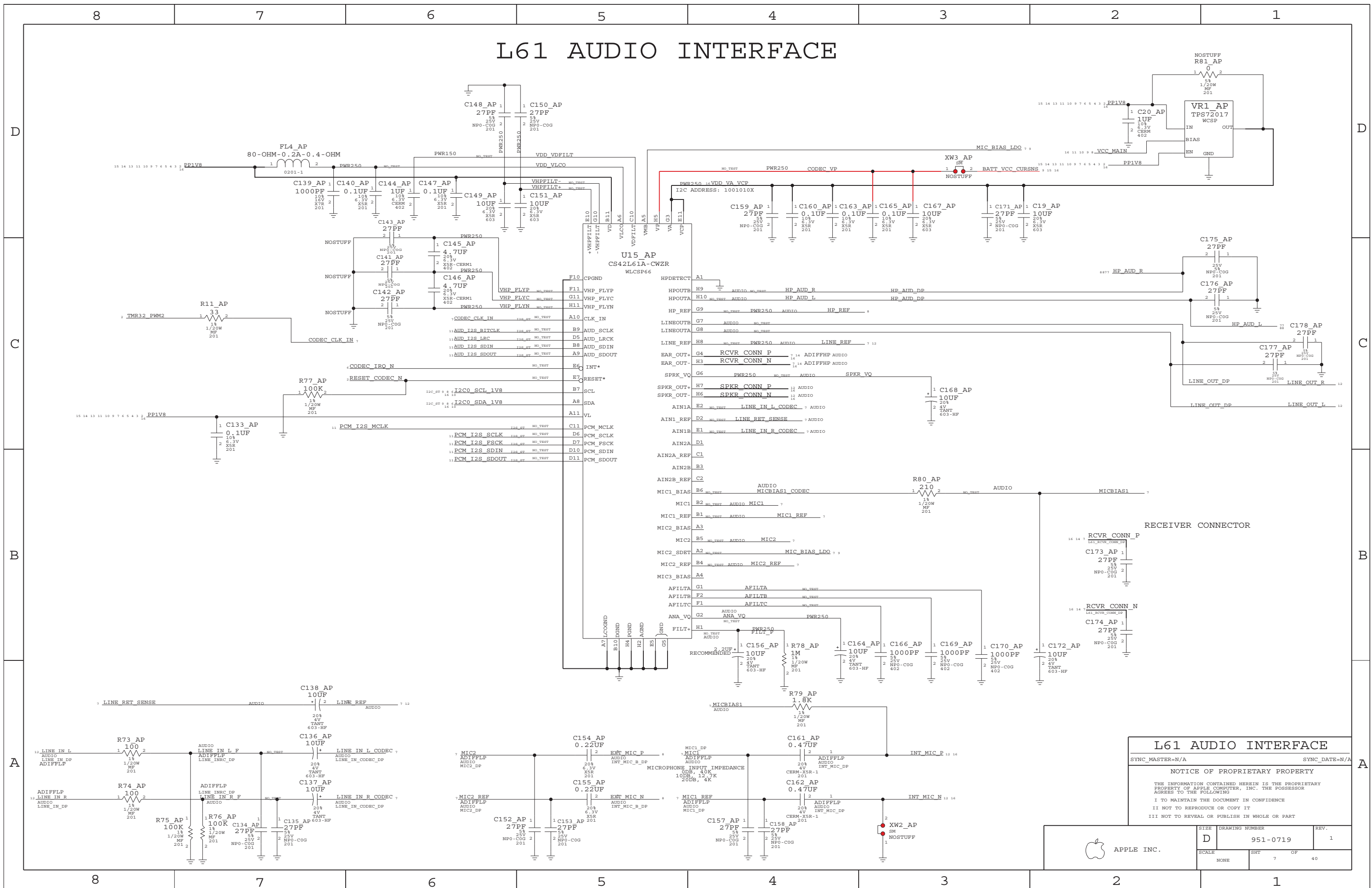
NOTICE OF PROPRIETARY PROPERTY

THE INFORMATION CONTAINED HEREIN IS THE PROPRIETARY PROPERTY OF APPLE COMPUTER, INC. THE POSSESSOR AGREES TO THE FOLLOWING

I TO MAINTAIN THE DOCUMENT IN CONFIDENCE
 II NOT TO REPRODUCE OR COPY IT
 III NOT TO REVEAL OR PUBLISH IN WHOLE OR PART

APPLE INC.	SIZE D	DRAWING NUMBER 951-0695	REV. 1
	SCALE NONE	SHEET 6	OF 31

L61 AUDIO INTERFACE

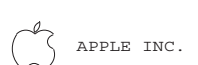


L61 AUDIO INTERFACE

SYNC_MASTER=N/A SYNC_DATE=N/A

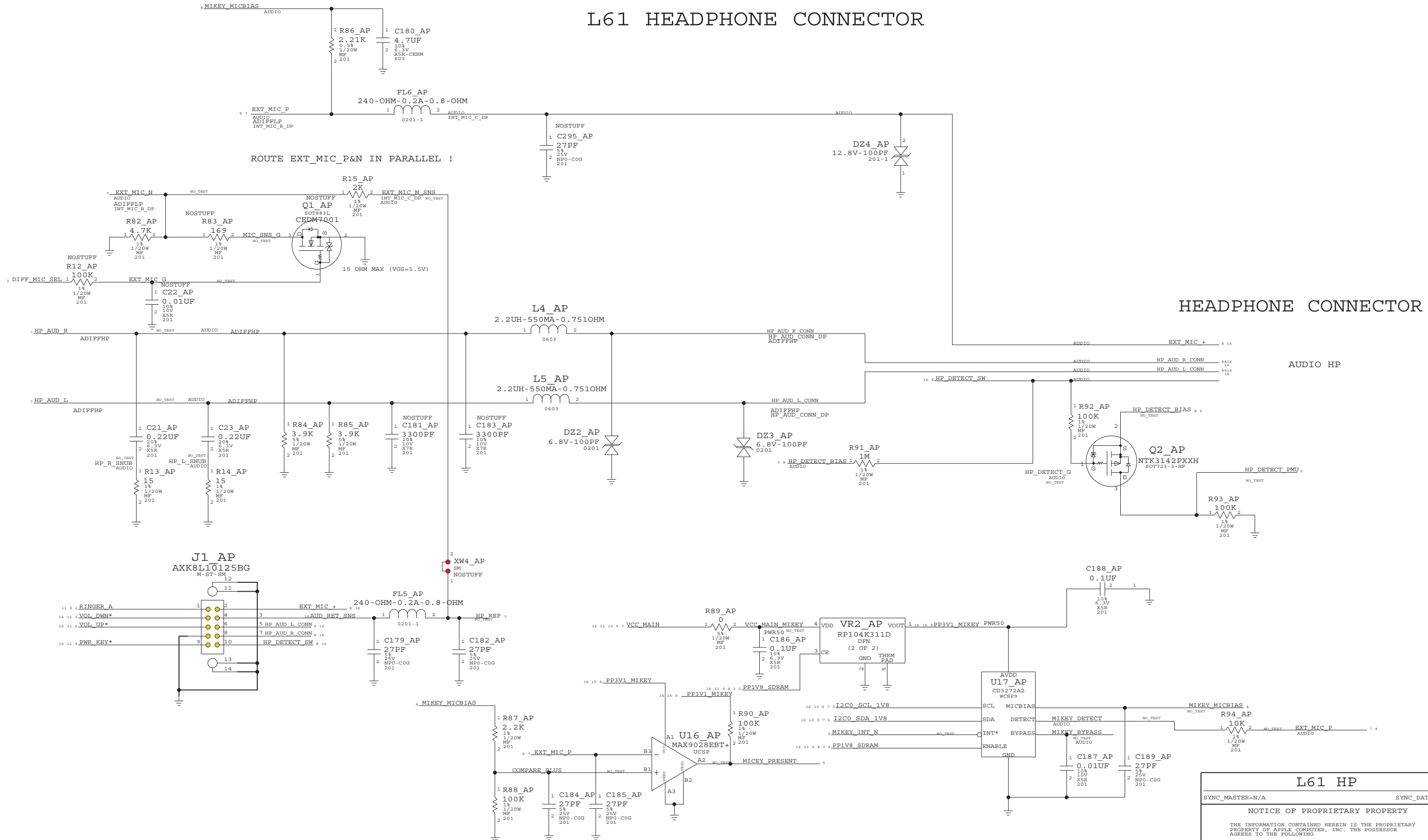
NOTICE OF PROPRIETARY PROPERTY

THE INFORMATION CONTAINED HEREIN IS THE PROPRIETARY PROPERTY OF APPLE COMPUTER, INC. THE POSSESSOR AGREES TO THE FOLLOWING:
 I TO MAINTAIN THE DOCUMENT IN CONFIDENCE
 II NOT TO REPRODUCE OR COPY IT
 III NOT TO REVEAL OR PUBLISH IN WHOLE OR PART



SIZE	DRAWING NUMBER	REV.
D	951-0719	1
SCALE	SHT	OF
NONE	7	40

L61 HEADPHONE CONNECTOR

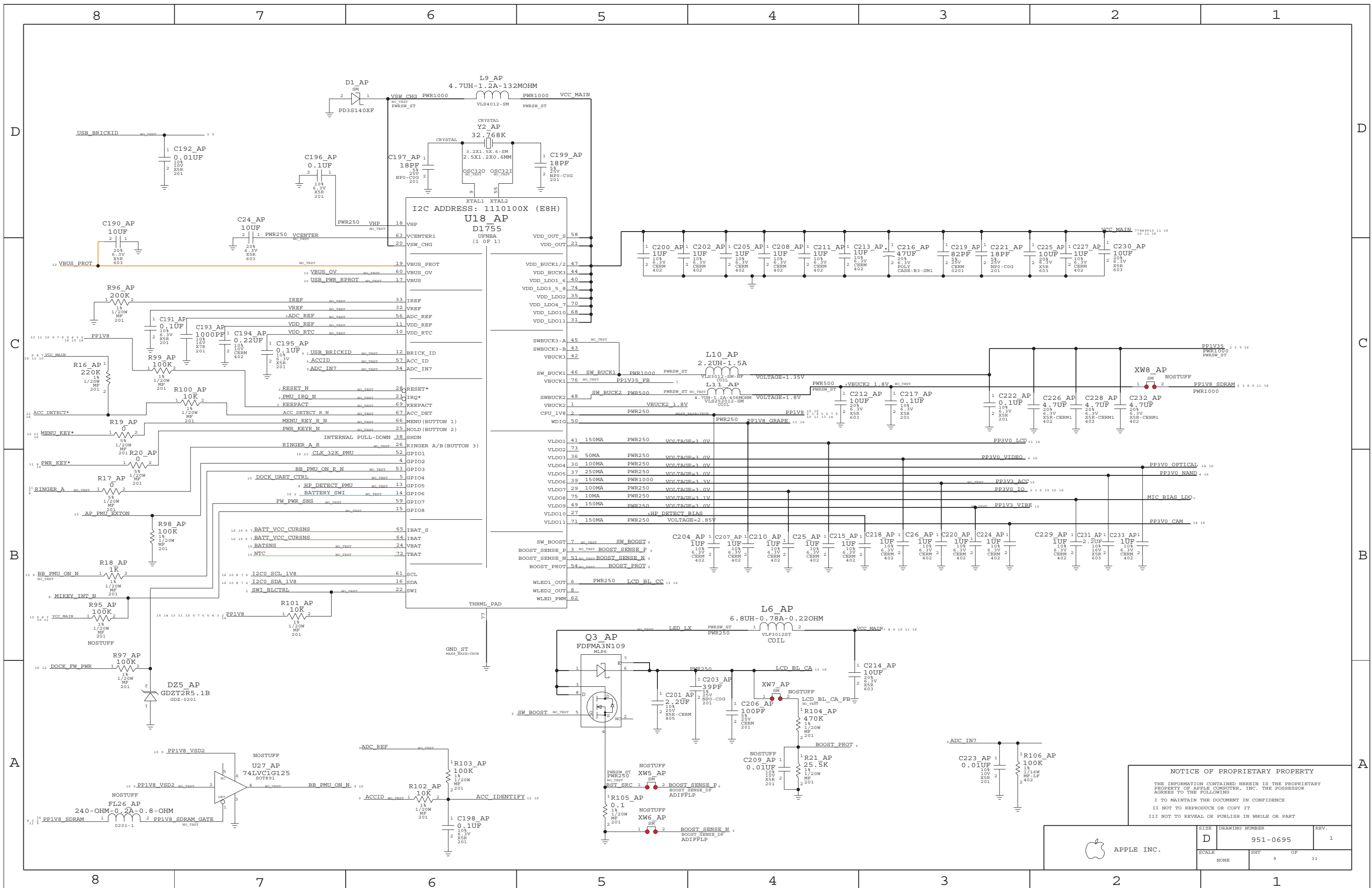


HEADPHONE CONNECTOR

AUDIO HP

L61 HP
 SYNC_MASTER=N/A SYNC_DATE=N/A
NOTICE OF PROPRIETARY PROPERTY
 THE INFORMATION CONTAINED HEREIN IS THE PROPRIETARY PROPERTY OF APPLE COMPUTER, INC. THE POSSESSOR AGREES TO THE FOLLOWING:
 I TO MAINTAIN THE DOCUMENT IN CONFIDENCE
 II NOT TO REPRODUCE OR COPY IT
 III NOT TO REVEAL OR PUBLISH IN WHOLE OR PART

	SIZE	DRAWING NUMBER	REV.
	D	951-0695	1
SCALE	SHEET		OF
NONE	8		31



NOTICE OF PROPRIETARY PROPERTY

THE INFORMATION CONTAINED HEREIN IS THE PROPRIETARY PROPERTY OF APPLE COMPUTER, INC. THE POSSESSOR AGREES TO THE FOLLOWING:

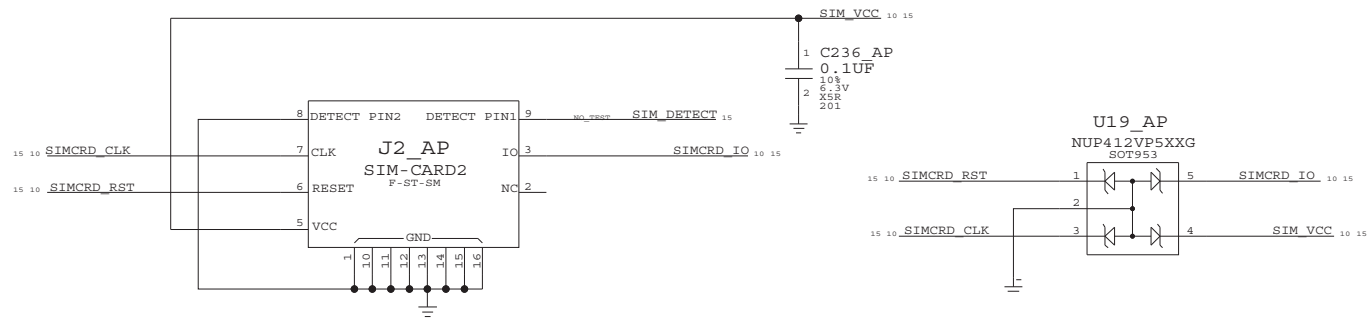
I TO MAINTAIN THE DOCUMENT IN CONFIDENCE

II NOT TO REPRODUCE OR COPY IT

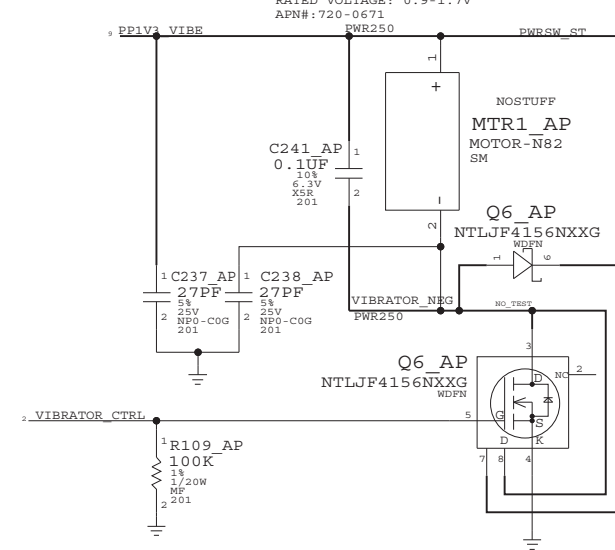
III NOT TO REVEAL OR PUBLISH IN WHOLE OR PART

APPLE INC.	SIZE D	DRAWING NUMBER 951-0695	REV. 1
	SCALE NONE	SHEET 9	OF 31

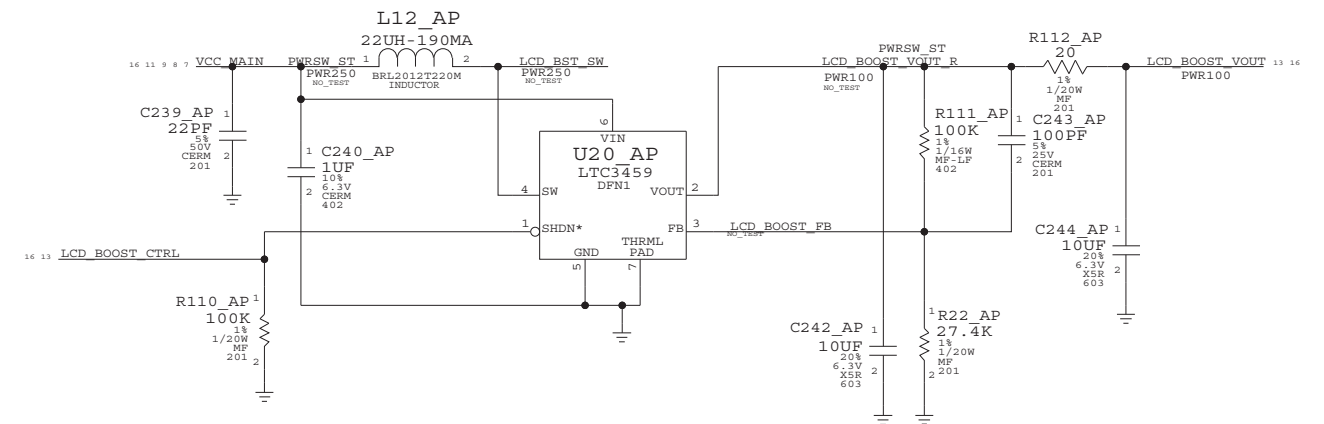
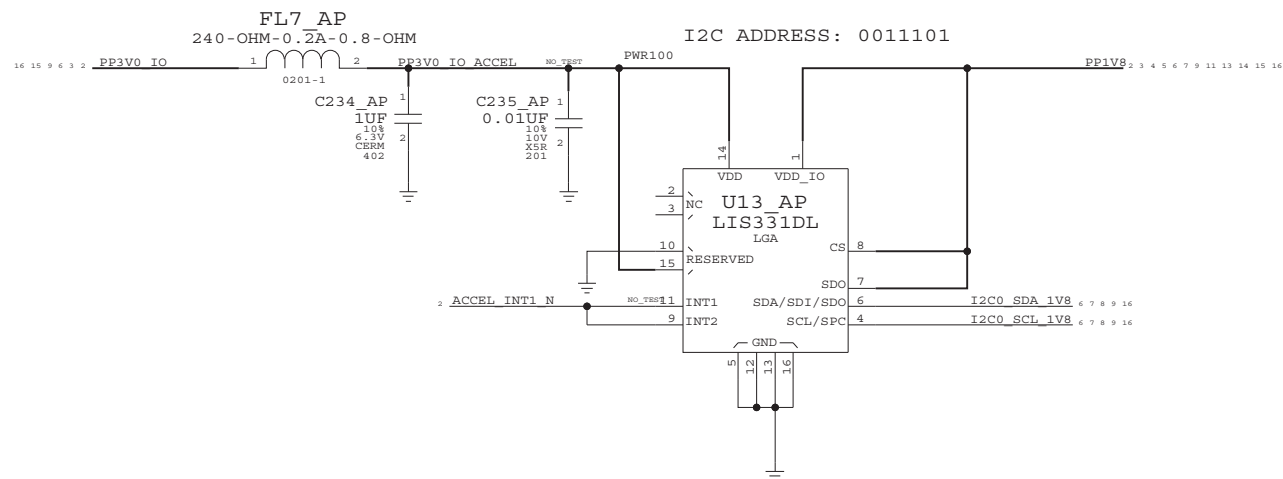
SIM CARD SLOT AND ESD



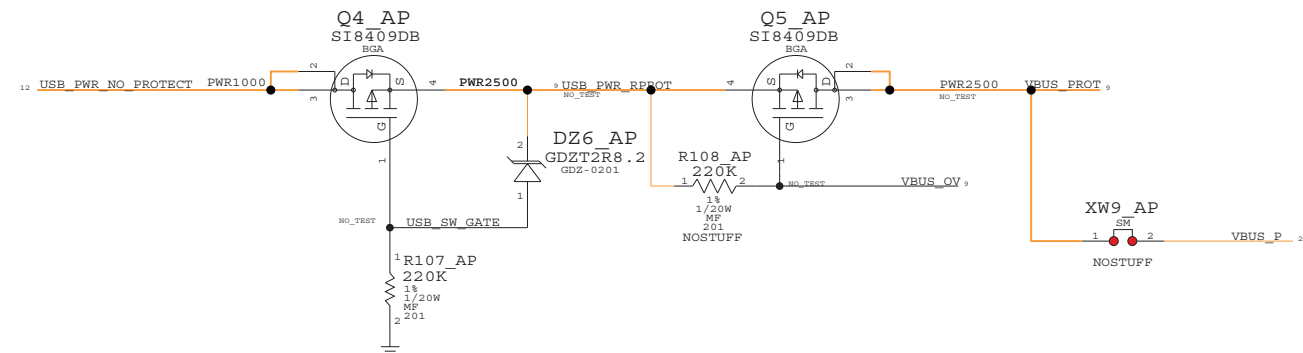
VIBRATOR PADS



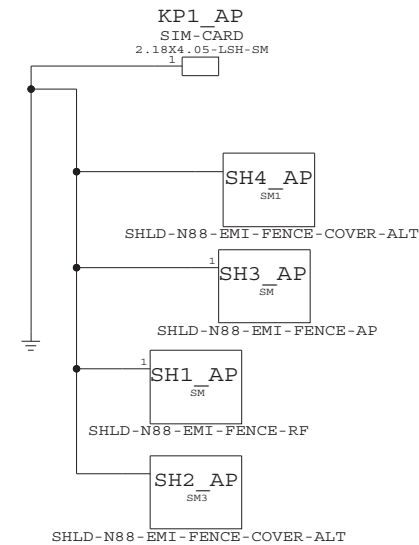
ACCELEROMETER



USB OVER/REVERSE VOLTAGE PROTECTION



SHIELDS AND SIMKEY



SIM, ACCEL, VIBE

SYNC_MASTER=N/A SYNC_DATE=N/A

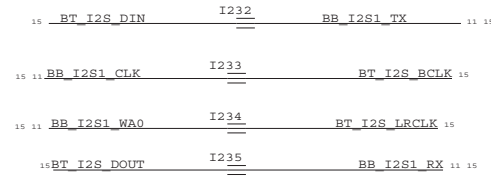
NOTICE OF PROPRIETARY PROPERTY

THE INFORMATION CONTAINED HEREIN IS THE PROPRIETARY PROPERTY OF APPLE COMPUTER, INC. THE POSSESSOR AGREES TO THE FOLLOWING
 I TO MAINTAIN THE DOCUMENT IN CONFIDENCE
 II NOT TO REPRODUCE OR COPY IT
 III NOT TO REVEAL OR PUBLISH IN WHOLE OR PART

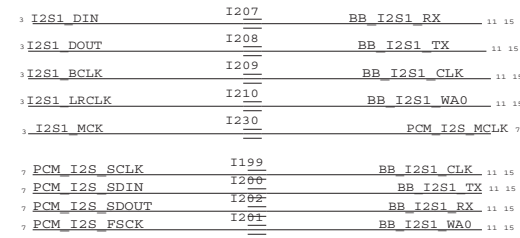


SIZE	DRAWING NUMBER	REV.
D	951-0719	1
SCALE	SHT	OF
NONE	10	25

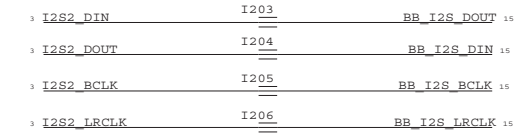
VOICE I2S TO BT



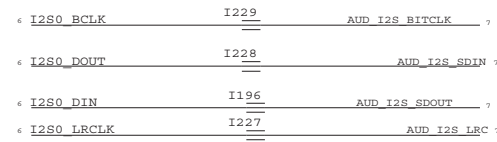
VOICE I2S AP/BB/CODEC



AP TO BB SIDETONE I2S



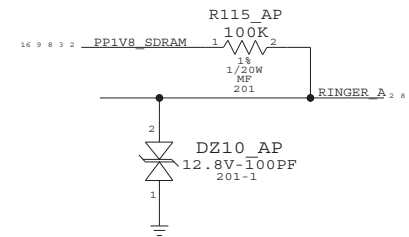
AP MULTIMEDIA I2S TO CODEC



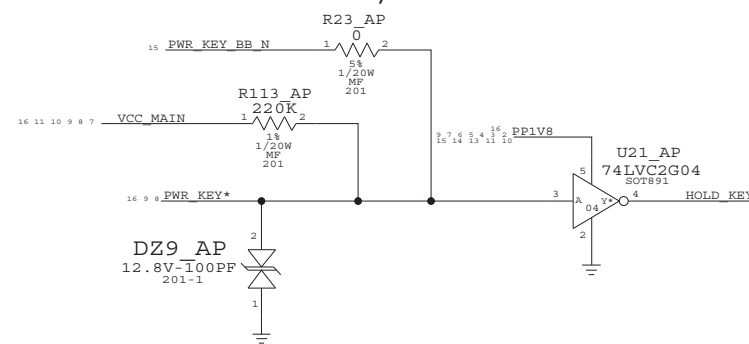
VOLUME SWITCHES



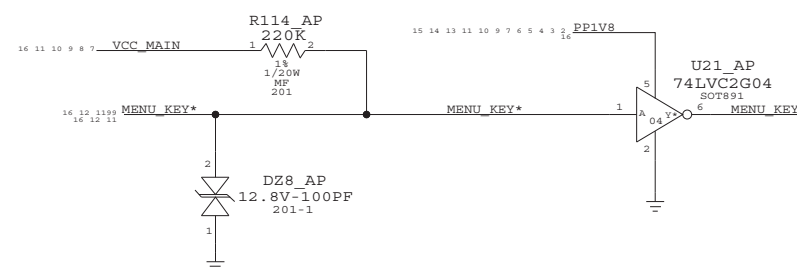
RINGER A/B SWITCH



POWER/HOLD KEY



MENU KEY



INTERFACE ASSIGNMENTS

SYNC_MASTER=N/A SYNC_DATE=N/A

NOTICE OF PROPRIETARY PROPERTY

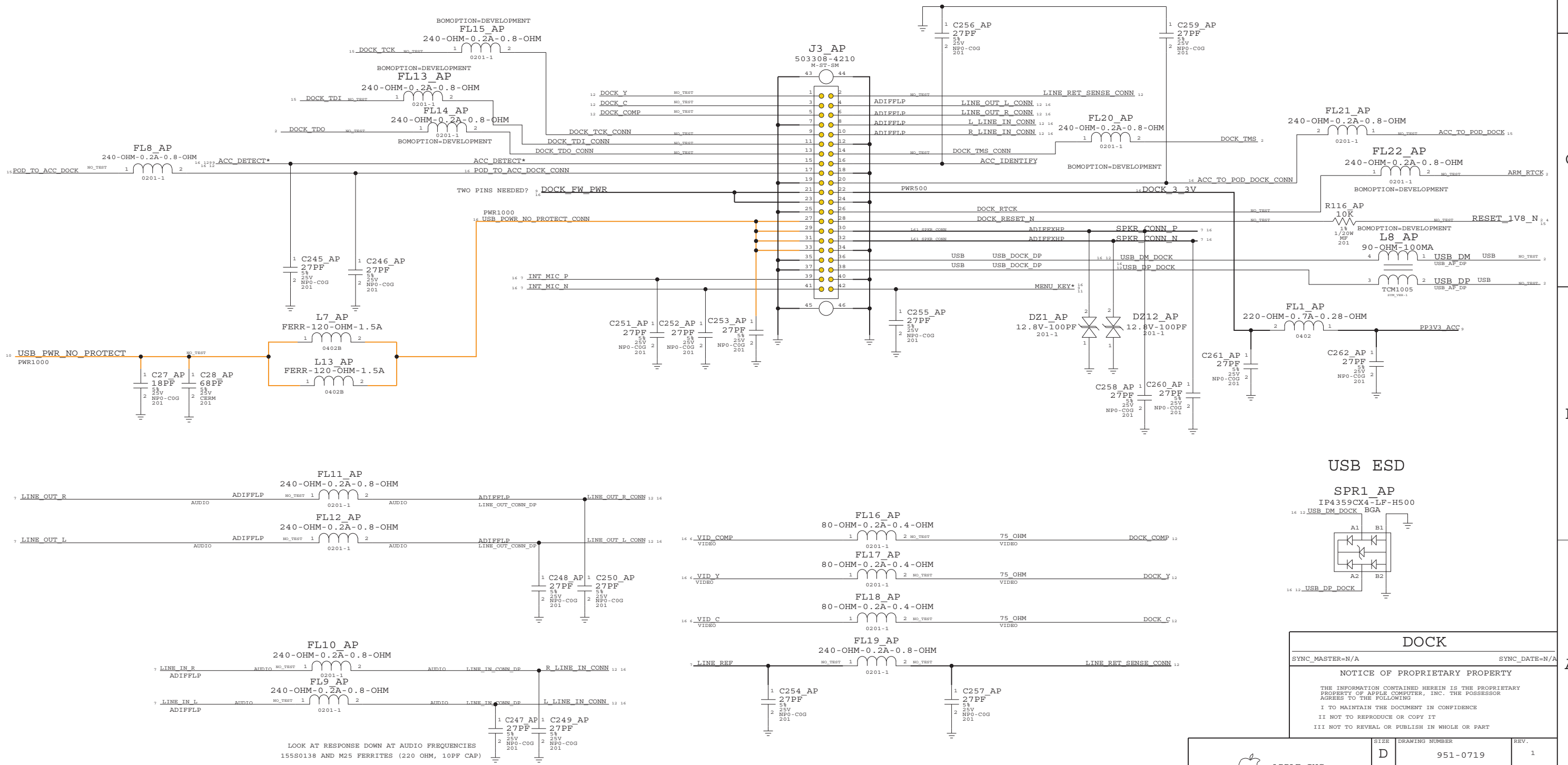
THE INFORMATION CONTAINED HEREIN IS THE PROPRIETARY PROPERTY OF APPLE COMPUTER, INC. THE POSSESSOR AGREES TO THE FOLLOWING
 I TO MAINTAIN THE DOCUMENT IN CONFIDENCE
 II NOT TO REPRODUCE OR COPY IT
 III NOT TO REVEAL OR PUBLISH IN WHOLE OR PART



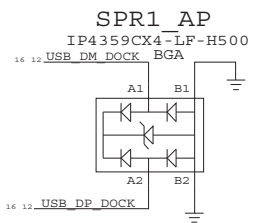
APPLE INC.

SIZE	DRAWING NUMBER	REV.
D	951-0719	1
SCALE	SHT	OF
NONE	11	25

DOCK CONNECTOR



USB ESD

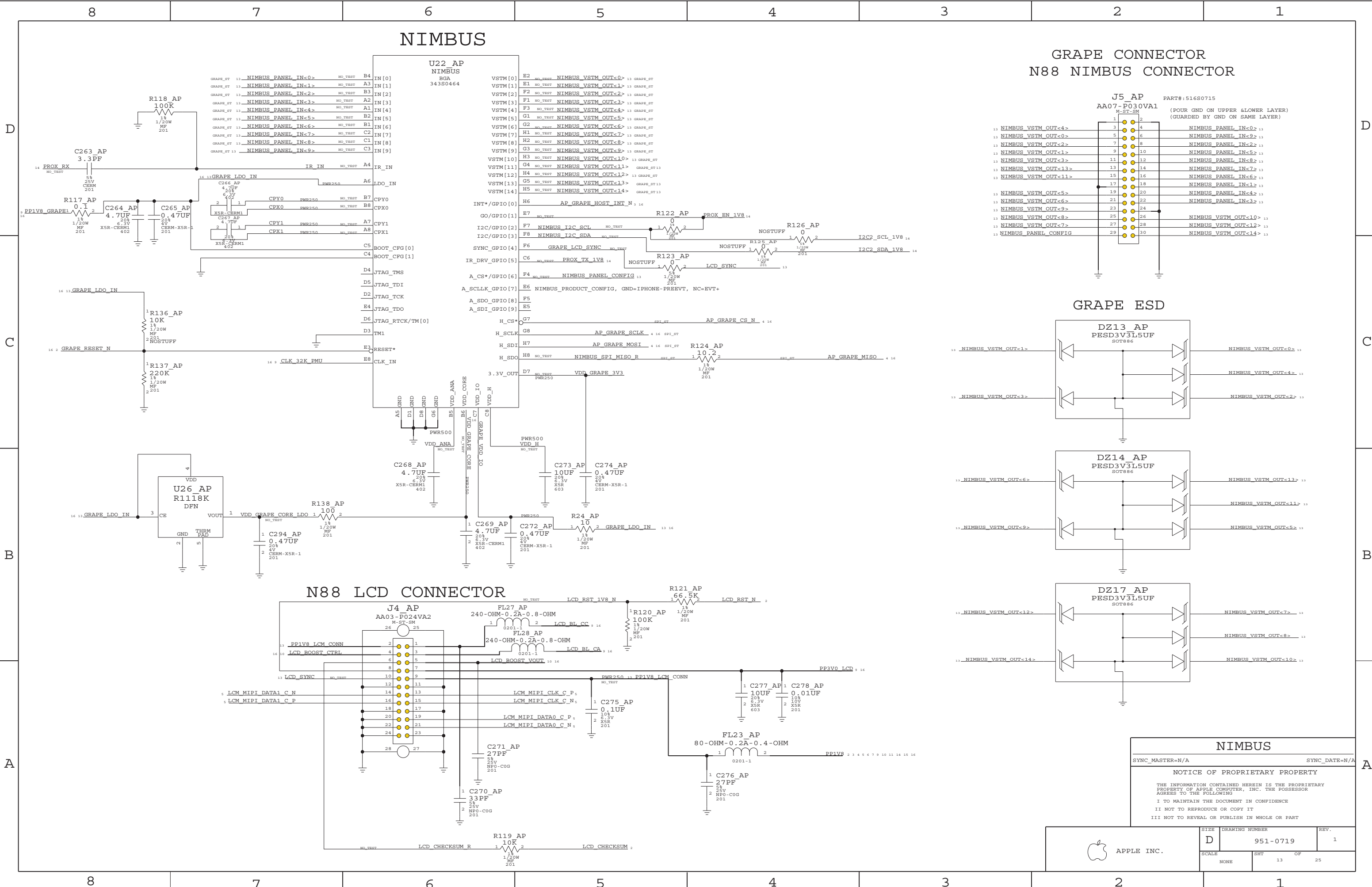


DOCK	
SYNC_MASTER=N/A	SYNC_DATE=N/A
NOTICE OF PROPRIETARY PROPERTY	
THE INFORMATION CONTAINED HEREIN IS THE PROPRIETARY PROPERTY OF APPLE COMPUTER, INC. THE POSSESSOR AGREES TO THE FOLLOWING	
I TO MAINTAIN THE DOCUMENT IN CONFIDENCE	
II NOT TO REPRODUCE OR COPY IT	
III NOT TO REVEAL OR PUBLISH IN WHOLE OR PART	

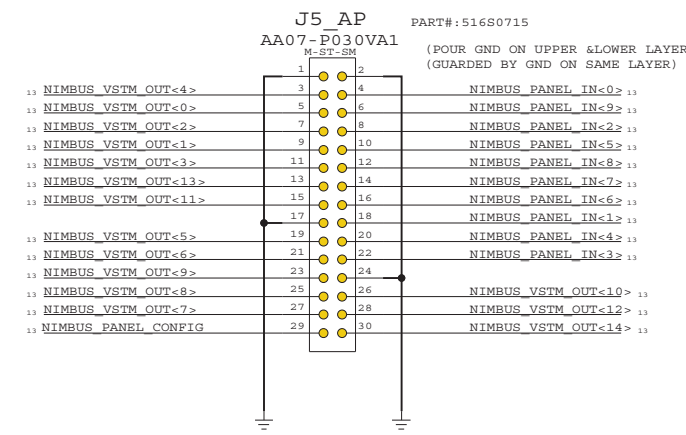
APPLE INC.	SIZE	DRAWING NUMBER	REV.
	D	951-0719	1
SCALE	SHT	OF	25
NONE	12		

LOOK AT RESPONSE DOWN AT AUDIO FREQUENCIES
155S0138 AND M25 FERRITES (220 OHM, 10PF CAP)

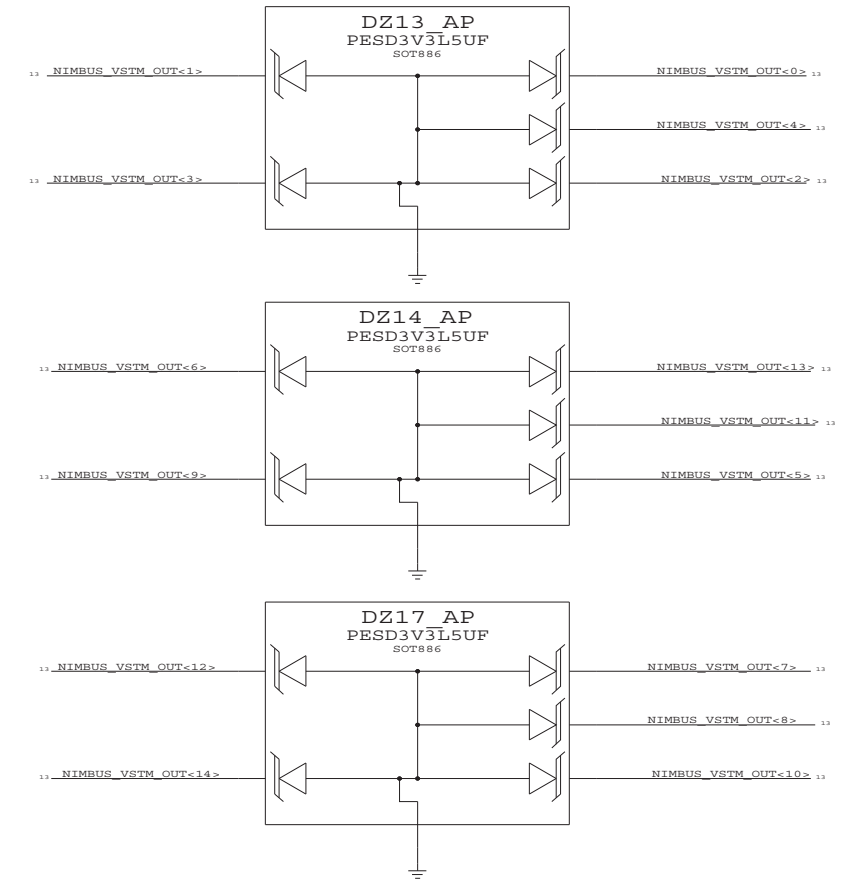
NIMBUS



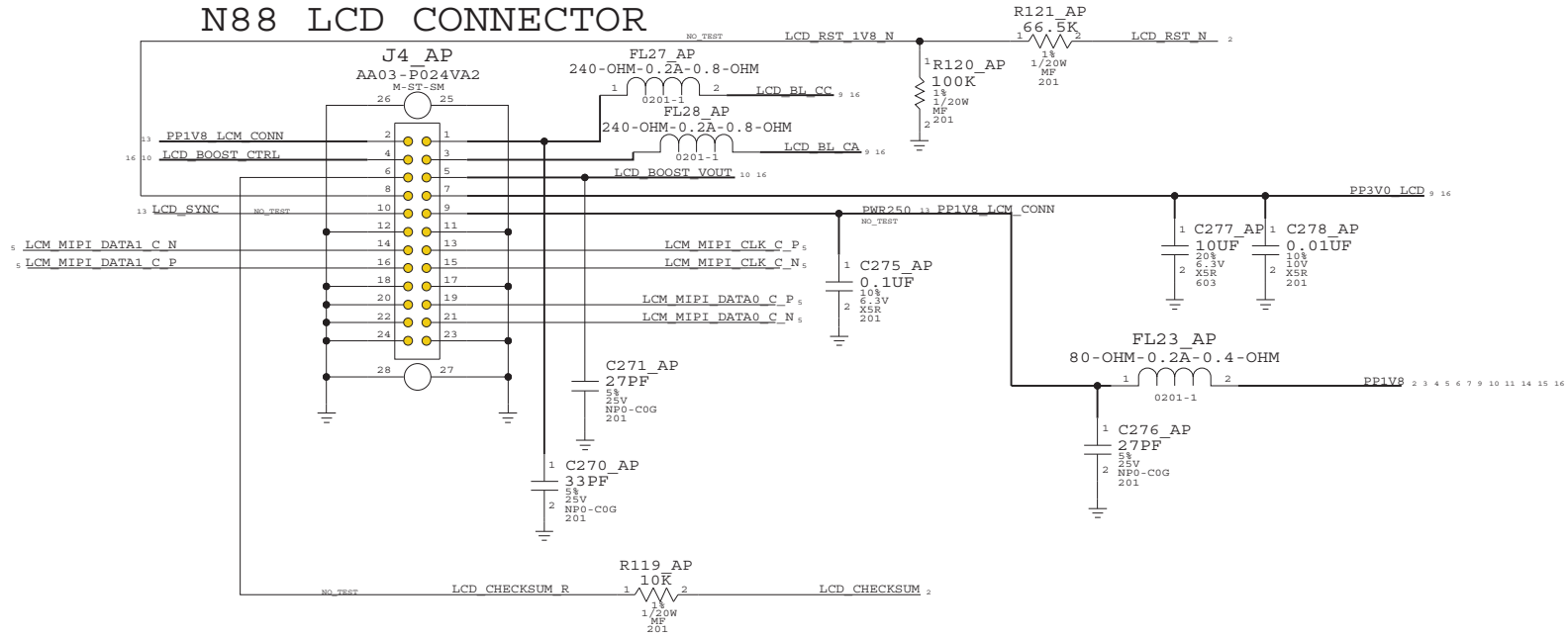
GRAPE CONNECTOR N88 NIMBUS CONNECTOR



GRAPE ESD



N88 LCD CONNECTOR



NIMBUS

SYNC_MASTER=N/A SYNC_DATE=N/A

NOTICE OF PROPRIETARY PROPERTY

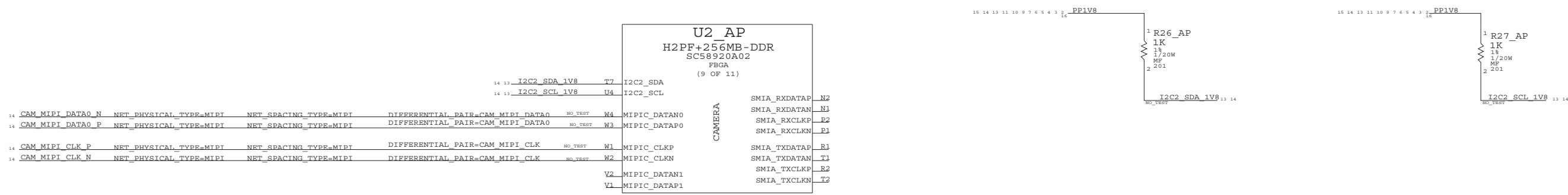
THE INFORMATION CONTAINED HEREIN IS THE PROPRIETARY PROPERTY OF APPLE COMPUTER, INC. THE POSSESSOR AGREES TO THE FOLLOWING

I TO MAINTAIN THE DOCUMENT IN CONFIDENCE

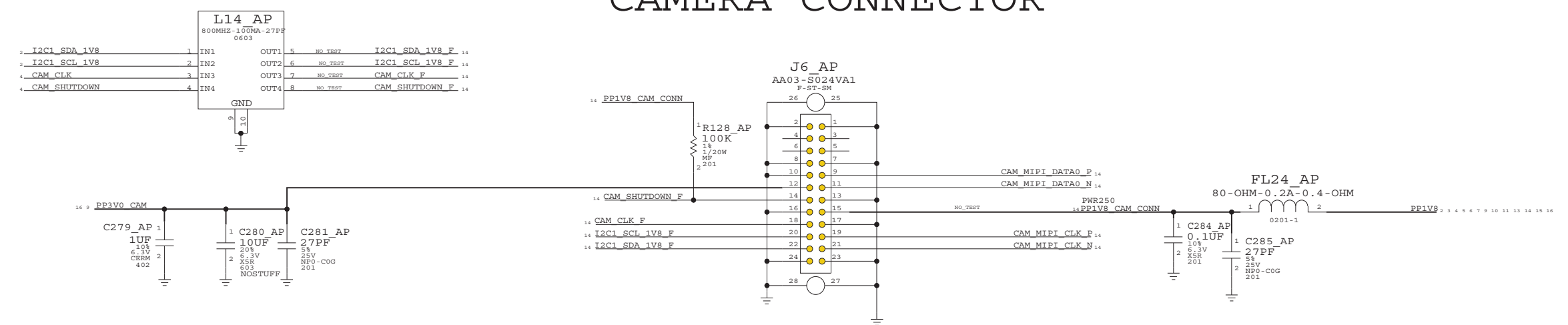
II NOT TO REPRODUCE OR COPY IT

III NOT TO REVEAL OR PUBLISH IN WHOLE OR PART

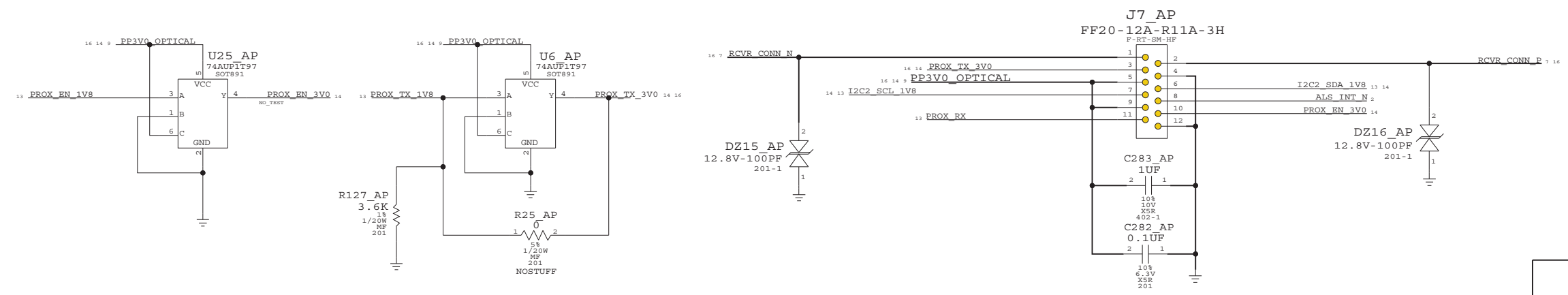
CAMERA INTERFACE



CAMERA CONNECTOR

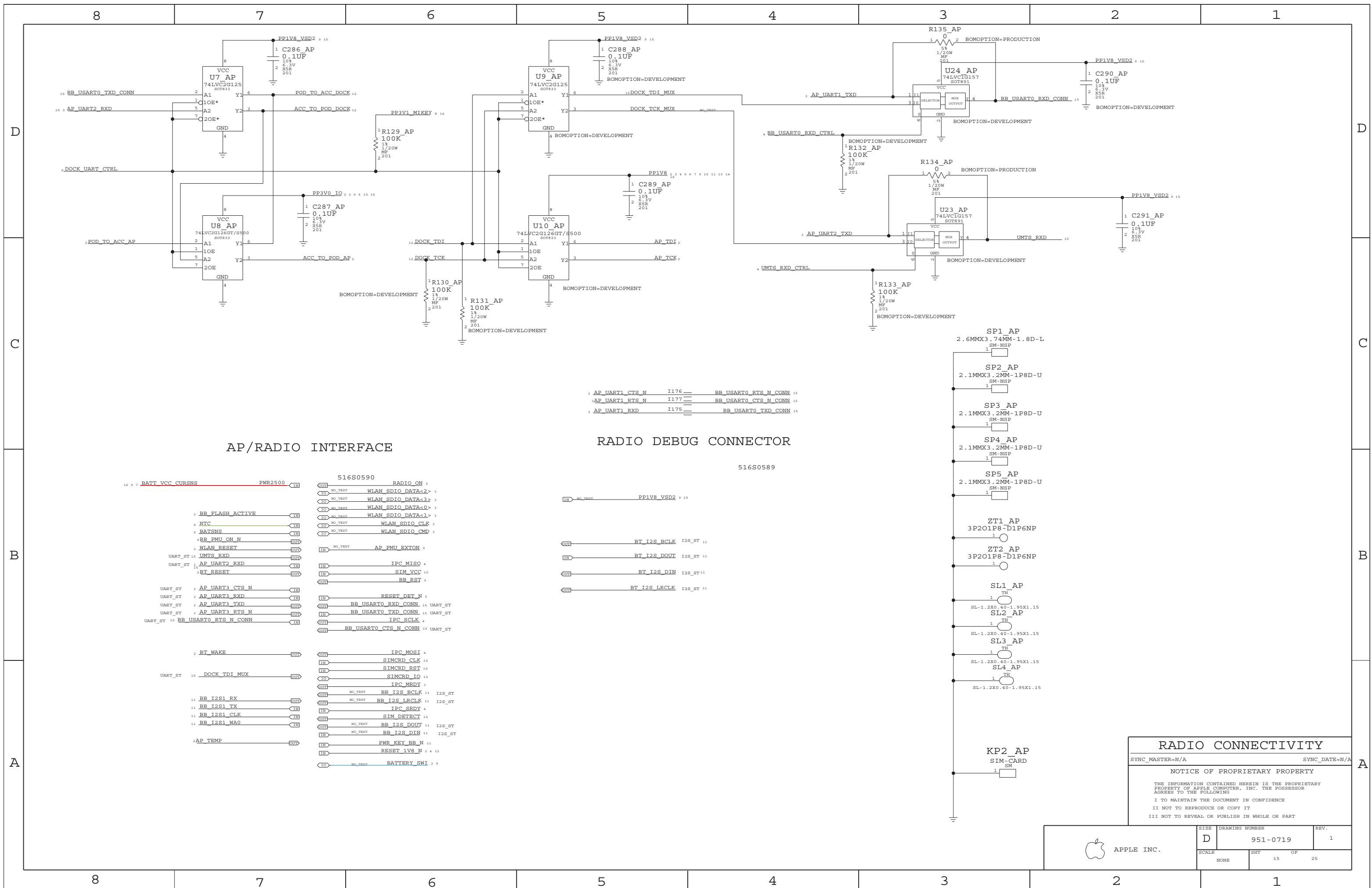


ALS/PROX



CAMERA		
SYNC_MASTER=N/A		SYNC_DATE=N/A
NOTICE OF PROPRIETARY PROPERTY		
THE INFORMATION CONTAINED HEREIN IS THE PROPRIETARY PROPERTY OF APPLE COMPUTER, INC. THE POSSESSOR AGREES TO THE FOLLOWING		
I TO MAINTAIN THE DOCUMENT IN CONFIDENCE		
II NOT TO REPRODUCE OR COPY IT		
III NOT TO REVEAL OR PUBLISH IN WHOLE OR PART		

APPLE INC.	SIZE	DRAWING NUMBER	REV.
	D	951-0719	1
SCALE	SHT 14 OF 25		
NONE			

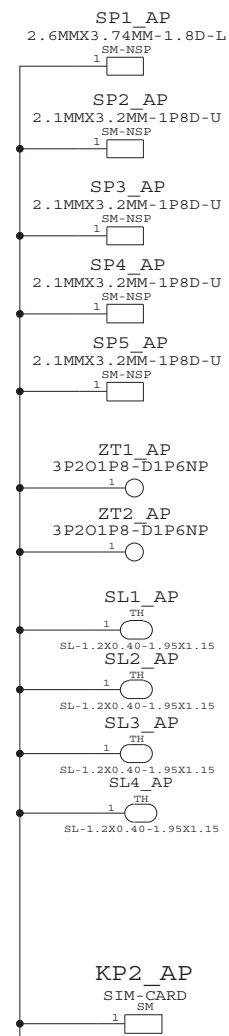


AP/RADIO INTERFACE

RADIO DEBUG CONNECTOR

516S0590		RADIO_ON 2	
TO	NO_TEST	WLAN_SDIO_DATA<2>	3
TO	NO_TEST	WLAN_SDIO_DATA<3>	3
TO	NO_TEST	WLAN_SDIO_DATA<0>	3
TO	NO_TEST	WLAN_SDIO_DATA<1>	3
TO	NO_TEST	WLAN_SDIO_CLK	3
TO	NO_TEST	WLAN_SDIO_CMD	3
TR	NO_TEST	AP_PMU_EXTON	9
TR	NO_TEST	IPC_MISO	4
TR	NO_TEST	SIM_VCC	10
TR	NO_TEST	BB_RST	2
TR	NO_TEST	RESET_DET_N	2
TR	NO_TEST	BB_USART0_RXD_CONN	15
TR	NO_TEST	BB_USART0_TXD_CONN	15
TR	NO_TEST	IPC_SCLK	4
TR	NO_TEST	BB_USART0_CTS_N_CONN	15
TR	NO_TEST	IPC_MOSI	4
TR	NO_TEST	SIMCRD_CLK	10
TR	NO_TEST	SIMCRD_RST	10
TR	NO_TEST	SIMCRD_IO	10
TR	NO_TEST	IPC_MRDY	3
TR	NO_TEST	BB_I2S_BCLK	11
TR	NO_TEST	BB_I2S_LRCLK	11
TR	NO_TEST	IPC_SRDY	4
TR	NO_TEST	SIM_DETECT	10
TR	NO_TEST	BB_I2S_DOUT	11
TR	NO_TEST	BB_I2S_DIN	11
TR	NO_TEST	PWR_KEY_BB_N	11
TR	NO_TEST	RESET_IV8_N	2, 4, 12
TR	NO_TEST	BATTERY_SWI	2, 9

516S0589		RADIO_DEBUG_CONNECTOR	
TR	NO_TEST	PP1V8_VSD2	9, 15
TR	NO_TEST	BT_I2S_BCLK	I2S_ST 11
TR	NO_TEST	BT_I2S_DOUT	I2S_ST 11
TR	NO_TEST	BT_I2S_DIN	I2S_ST 11
TR	NO_TEST	BT_I2S_LRCLK	I2S_ST 11

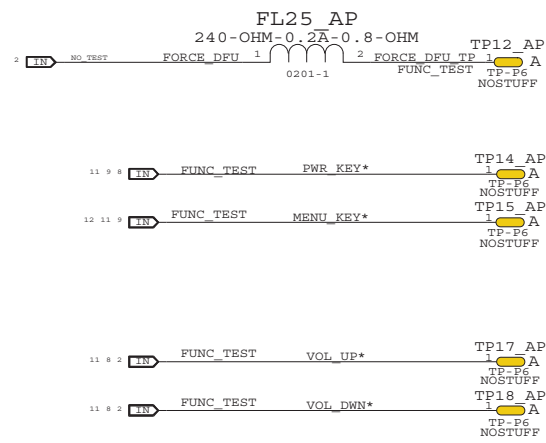


RADIO CONNECTIVITY
 SYNC_MASTER=N/A SYNC_DATE=N/A
NOTICE OF PROPRIETARY PROPERTY
 THE INFORMATION CONTAINED HEREIN IS THE PROPRIETARY PROPERTY OF APPLE COMPUTER, INC. THE POSSESSOR AGREES TO THE FOLLOWING:
 I TO MAINTAIN THE DOCUMENT IN CONFIDENCE
 II NOT TO REPRODUCE OR COPY IT
 III NOT TO REVEAL OR PUBLISH IN WHOLE OR PART

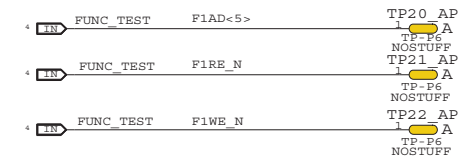
APPLE INC.	SIZE	DRAWING NUMBER	REV.
	D	951-0719	1
SCALE	SHT		OF
NONE	15		25

TEST POINTS

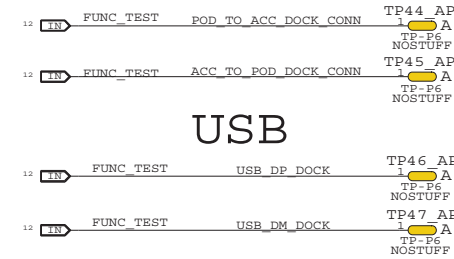
GPIO



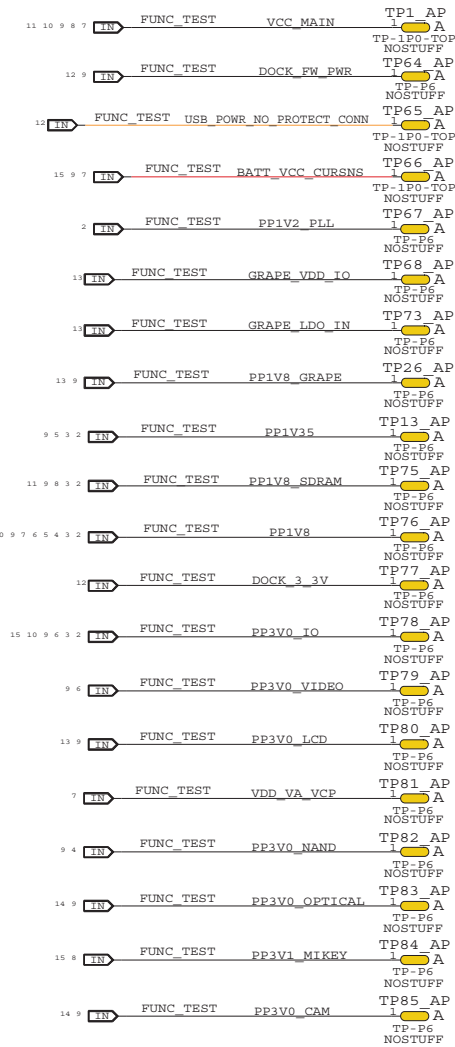
NAND



UART



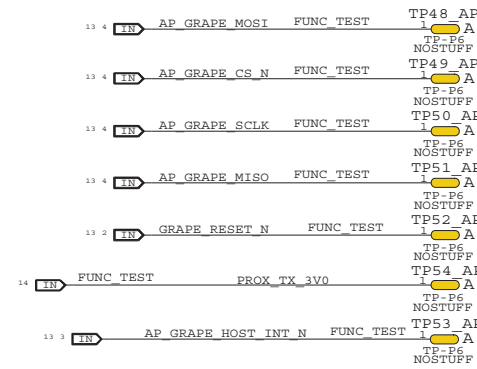
POWER



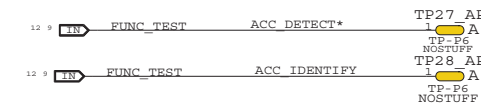
CLOCKS



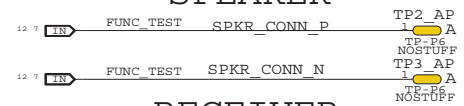
NIMBUS



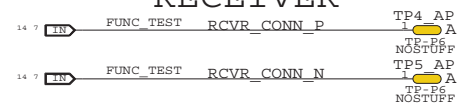
ACCESSORY DETECT



AUDIO SPEAKER



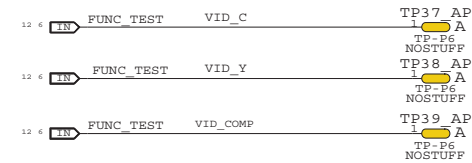
RECEIVER



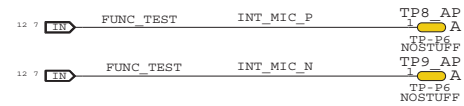
I2C PINS



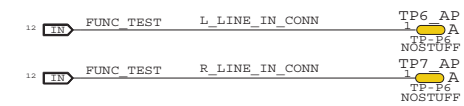
VIDEO



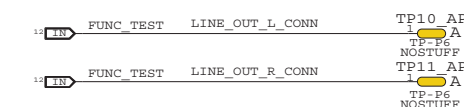
MIC



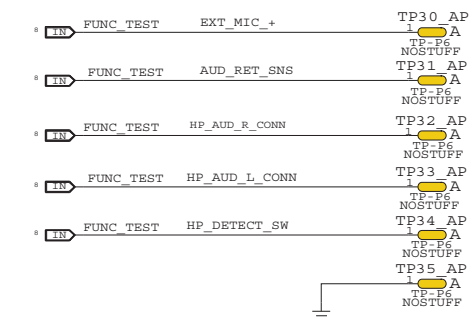
LINE IN



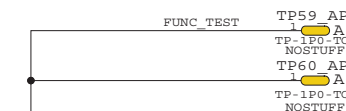
LINE OUT



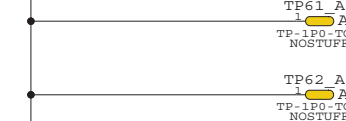
HEADPHONE



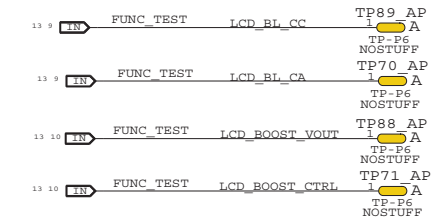
POWER GND



SIGNAL GND



LCD



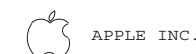
RESERVED FOR OUTPUT OF LDO

PROX, ALS

SYNC_MASTER=N/A SYNC_DATE=N/A

NOTICE OF PROPRIETARY PROPERTY

THE INFORMATION CONTAINED HEREIN IS THE PROPRIETARY PROPERTY OF APPLE COMPUTER, INC. THE POSSESSOR AGREES TO THE FOLLOWING
I TO MAINTAIN THE DOCUMENT IN CONFIDENCE
II NOT TO REPRODUCE OR COPY IT
III NOT TO REVEAL OR PUBLISH IN WHOLE OR PART



APPLE INC.

SIZE	DRAWING NUMBER	REV.
D	951-0719	1
SCALE	SHT	OF
NONE	16	25