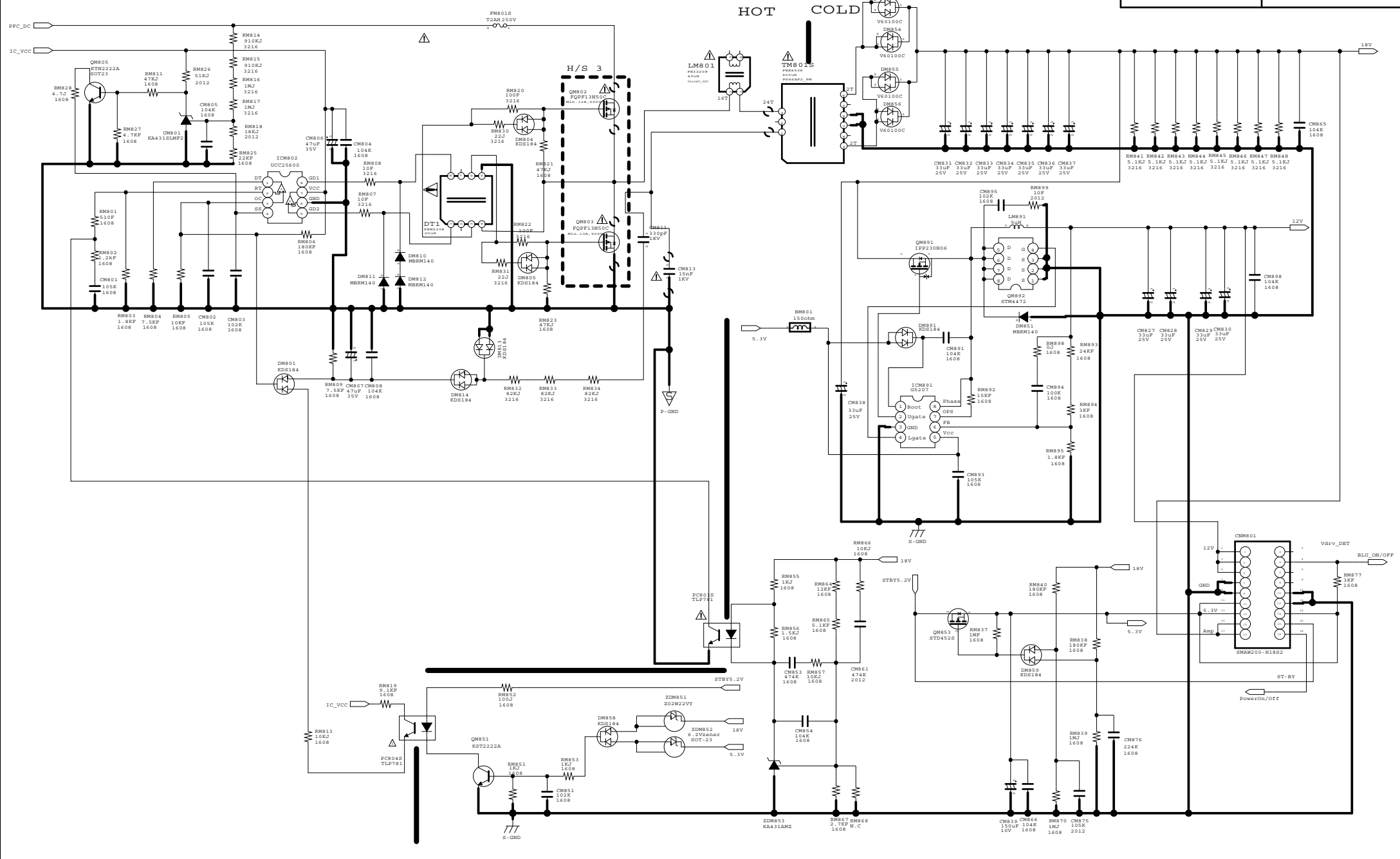
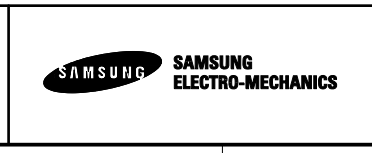


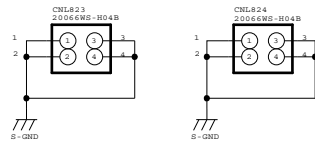
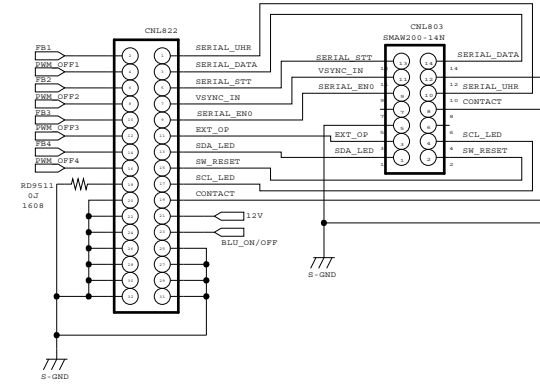
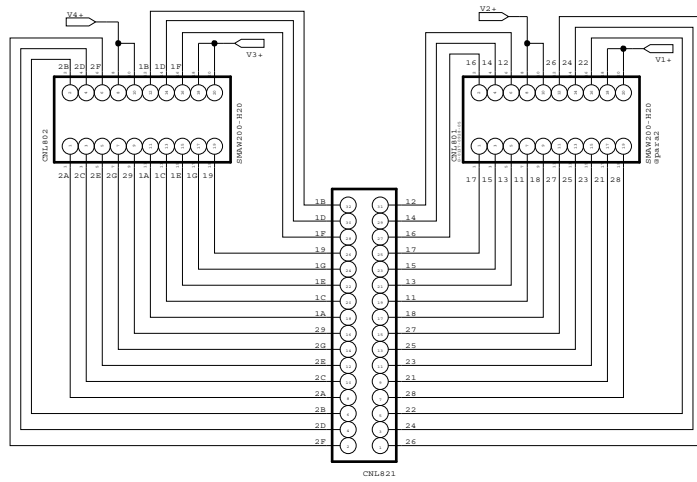
USER SAMSUNG ELECTRONICS		DATE 2009.12.28	
MODEL NAME PD46AF2	SCALE	DRAWN	
PDM NUMBER PSLF251B02A (BN44-00362A)	REVISION REV1.0	CHECKED	
	LEVEL	APPROVED	



NOTE



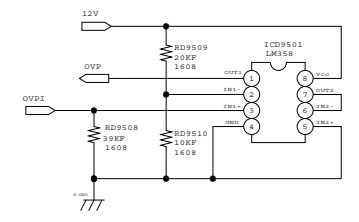
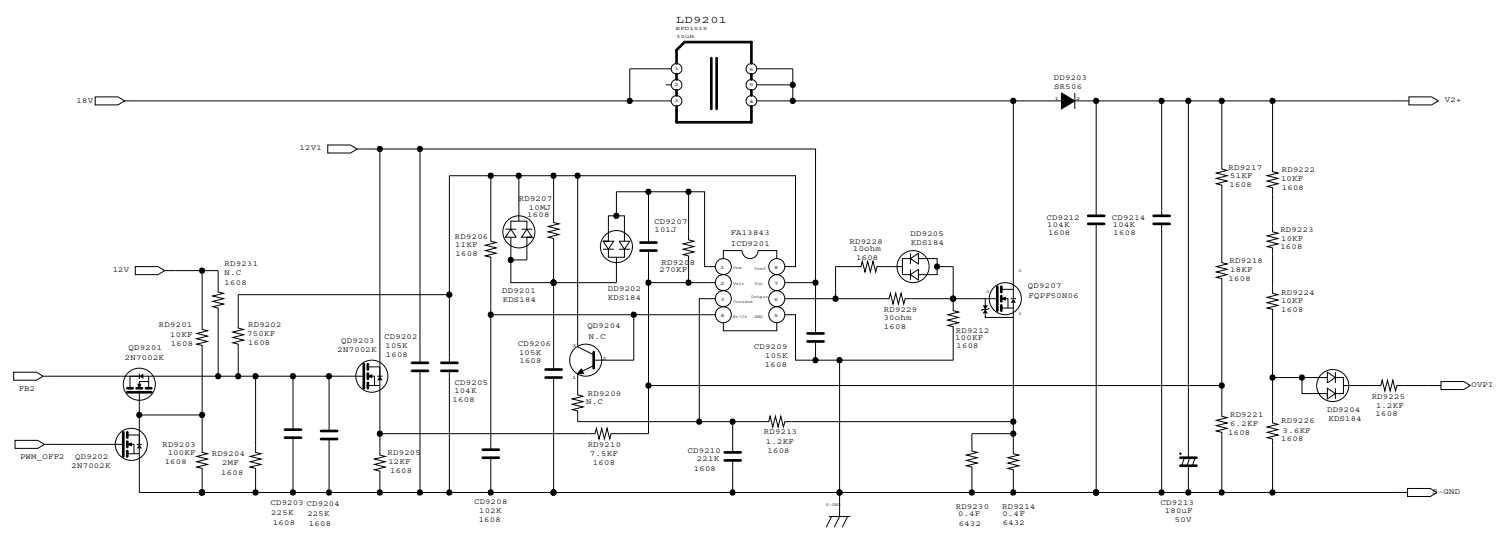
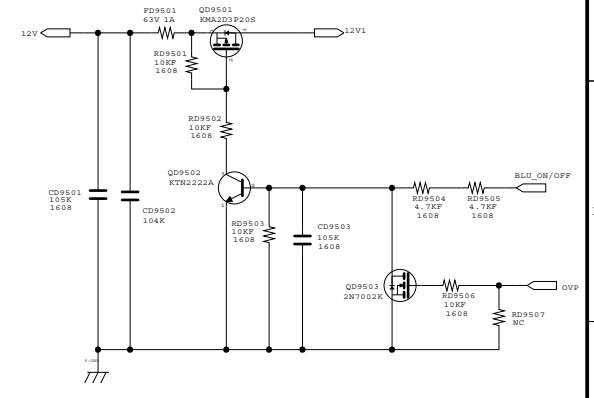
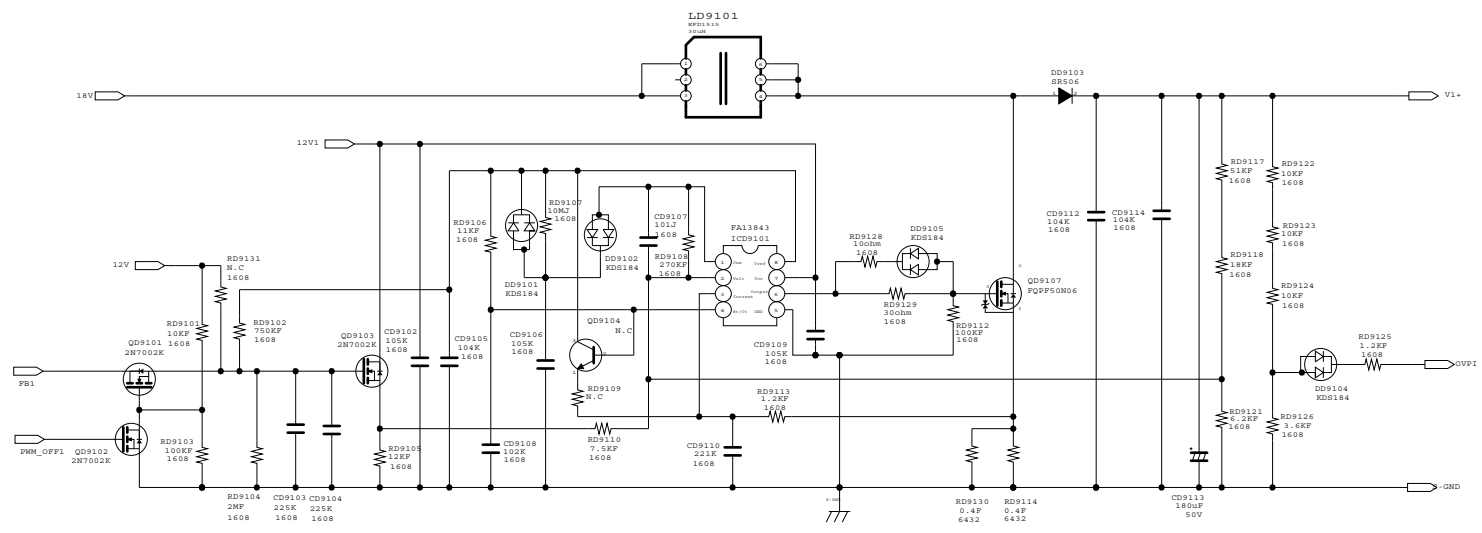
USER	SAMSUNG ELECTRONICS		DATE	2009.12.28
MODEL NAME	PD46AF2_ZSM	SCALE	DRAWN	
	PSLF251B02A	REVISION	CHECKED	
PDM NUMBER	BN44-00362A	LEVEL	REV R.B	APPROVED



NOTE



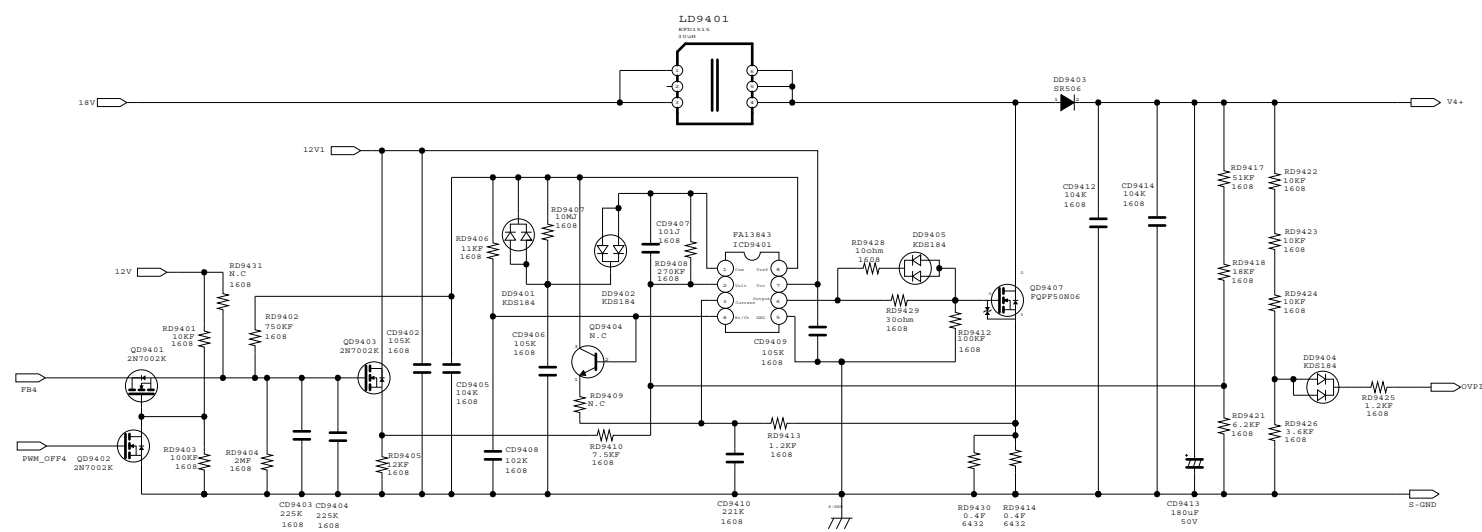
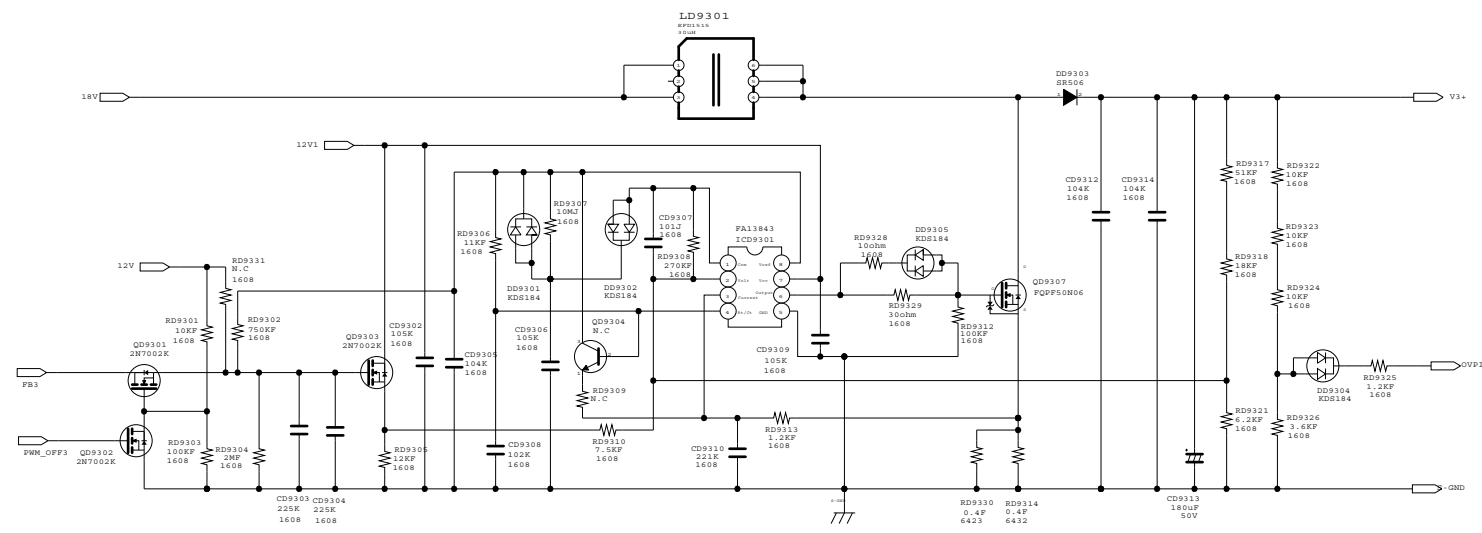
USER		SAMSUNG ELECTRONICS		DATE	2009.12.28
MODEL NAME	PD46AF2_ZSM	SCALE		DRAWN	
	PSLF251B02A	REVISION	REV R.B	CHECKED	
PDM NUMBER	BN44-00362A	CommonScore		APPROVED	



NOTE



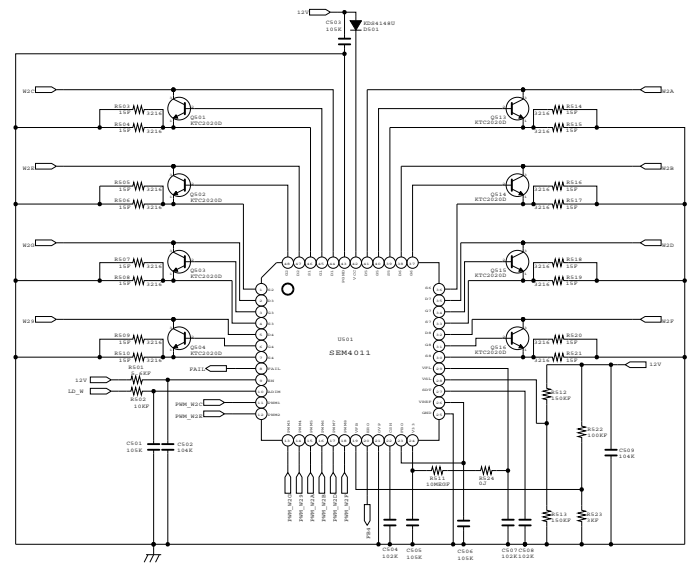
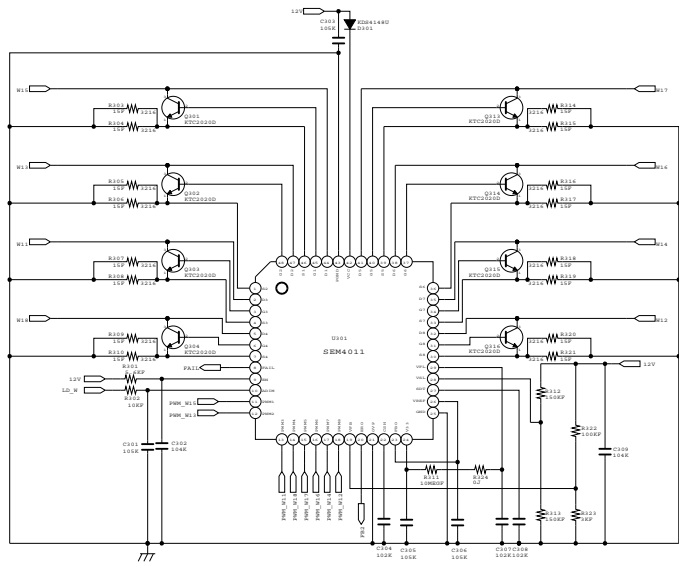
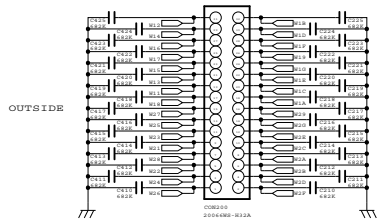
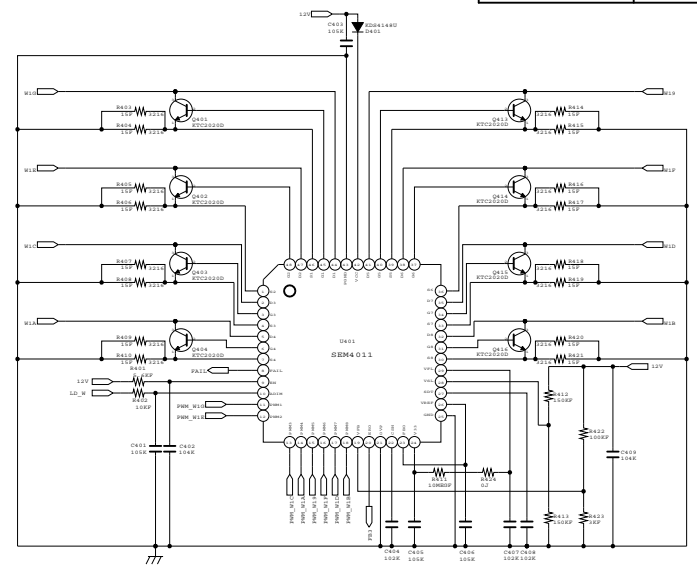
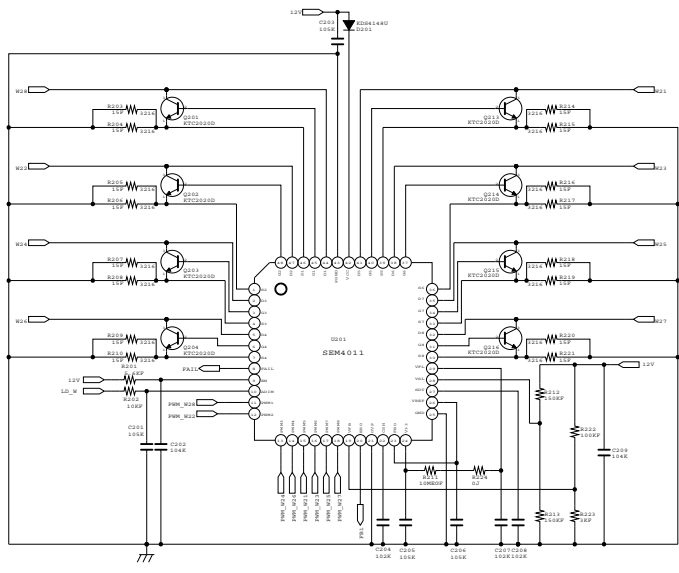
USER SAMSUNG ELECTRONICS		DATE 2009.12.28	
MODEL NAME PD46AF2_ZSM PSLF251B02A	SCALE	DRAWN	
PDM NUMBER BN44-00362A	REVISION REV R.B	CHECKED	
	CommonScore	APPROVED	



NOTE



USER		SAMSUNG ELECTRONICS		DATE	2009.12.28
MODEL NAME	PD46AF2_ZSM	SCALE		DRAWN	
	PSLF251B02A	REVISION	REV R.B	CHECKED	
PDM NUMBER	BN44-00362A	CommonScore		APPROVED	



NOTE





ELECTRO-MECHANICS

SPECIFICATION
PD46AF2_ZSM
(Block Diagram)

STD RECORD NO. BN44-00362A

4. BLOCK DIAGRAM

