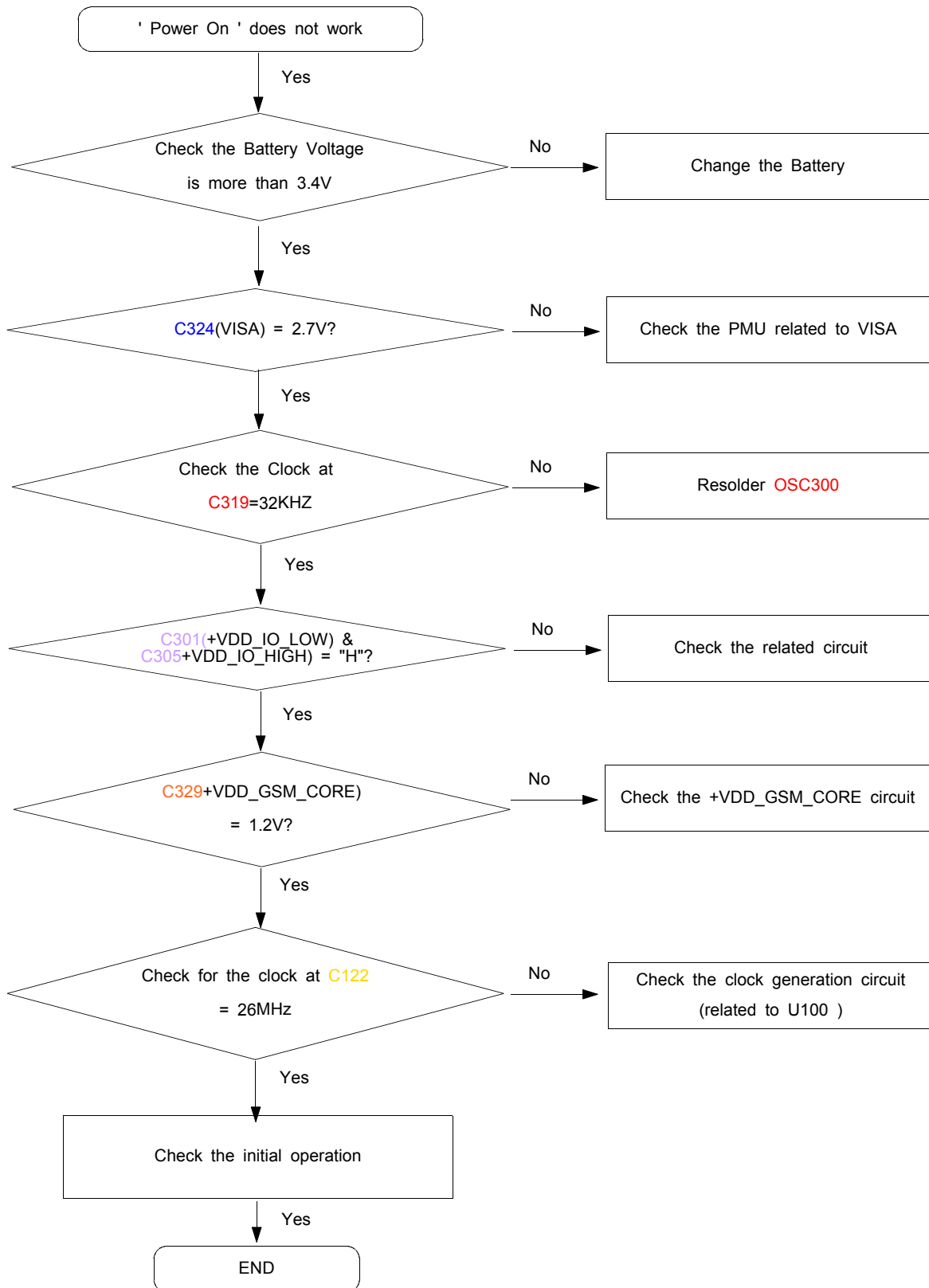
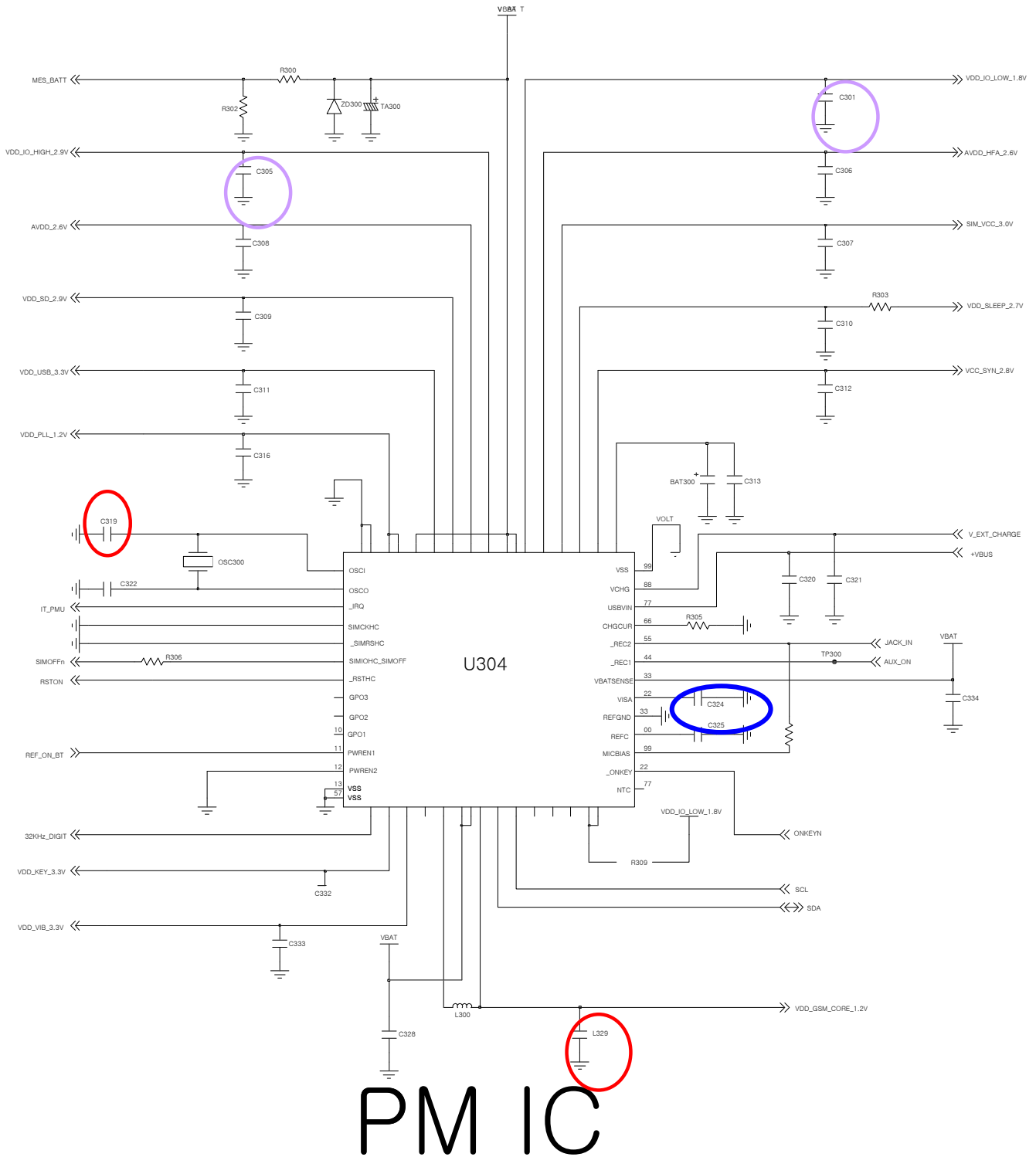


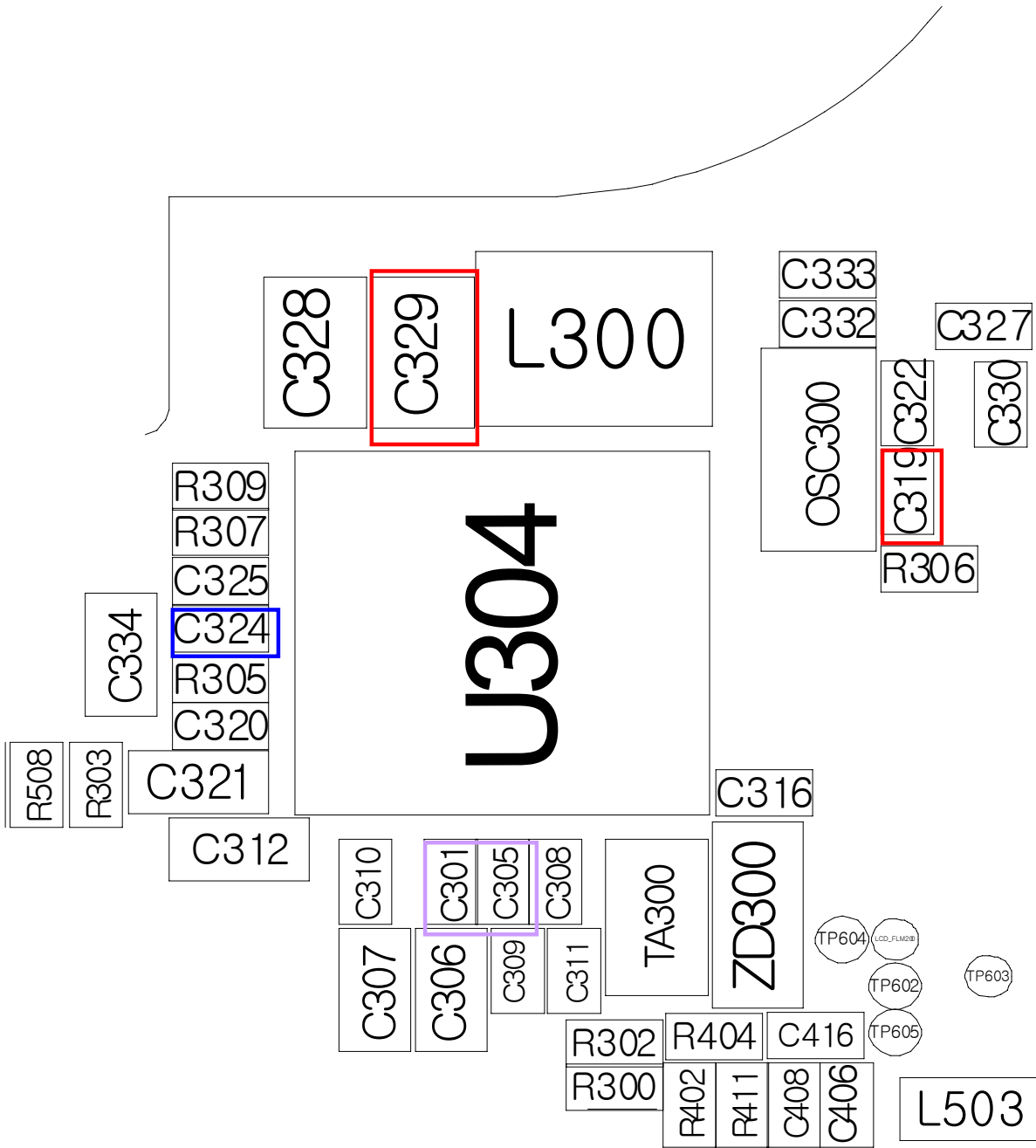
10. Flow Chart of Troubleshooting

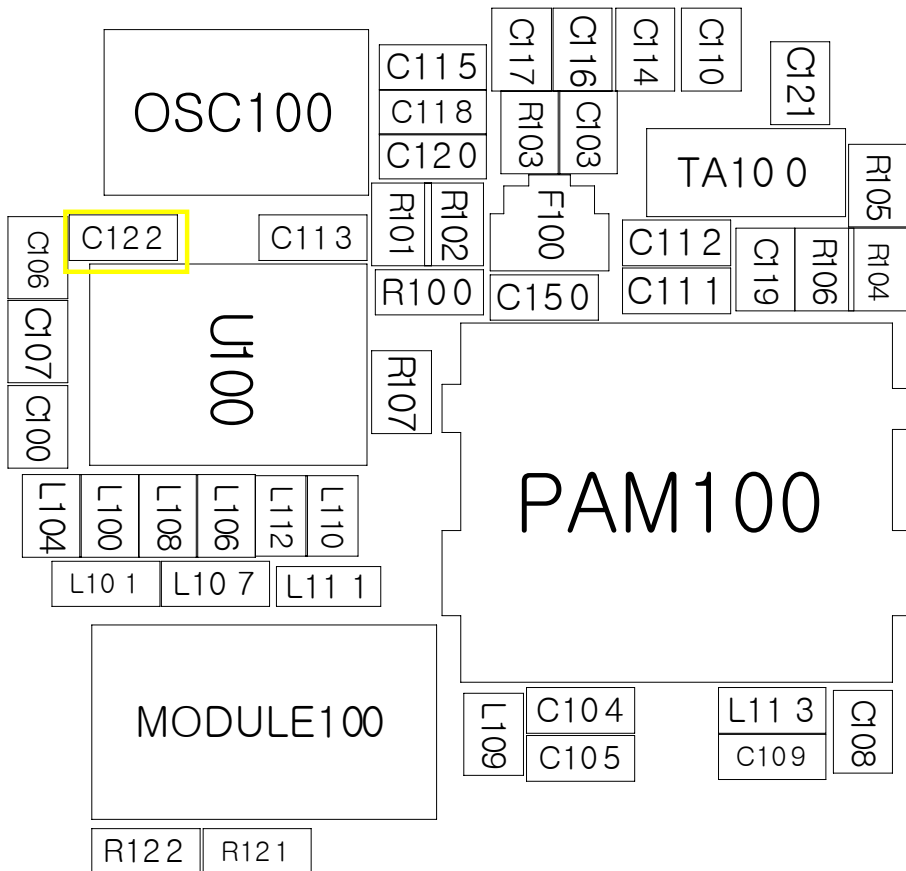
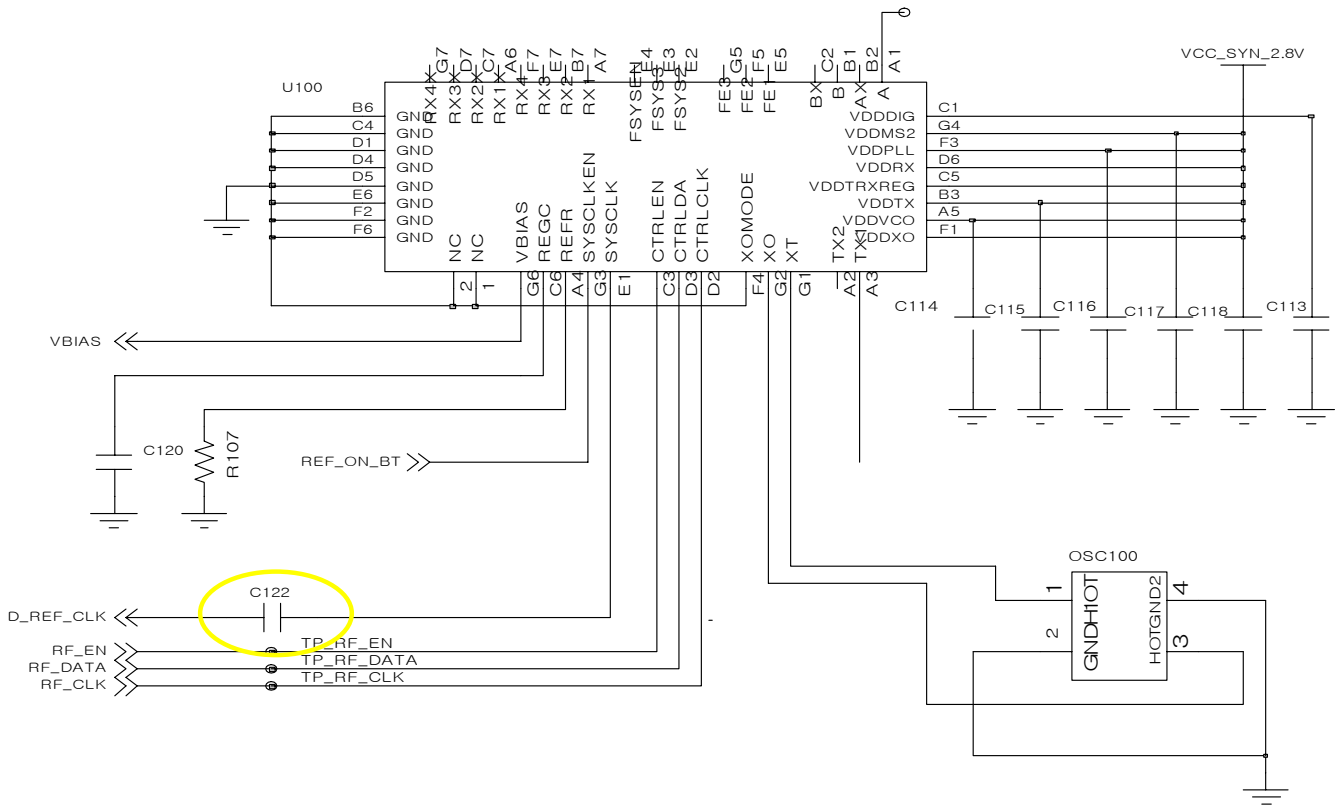
10-1. Power On



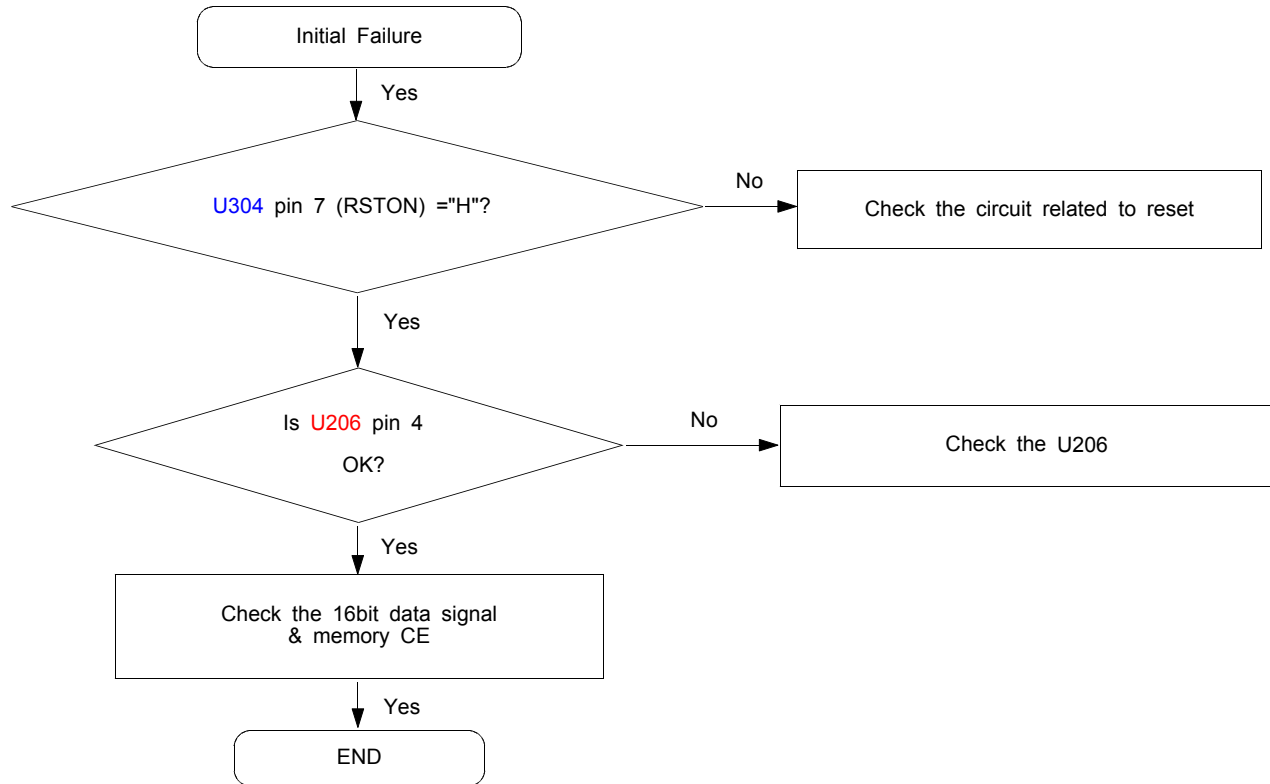
Flow Chart of Troubleshooting



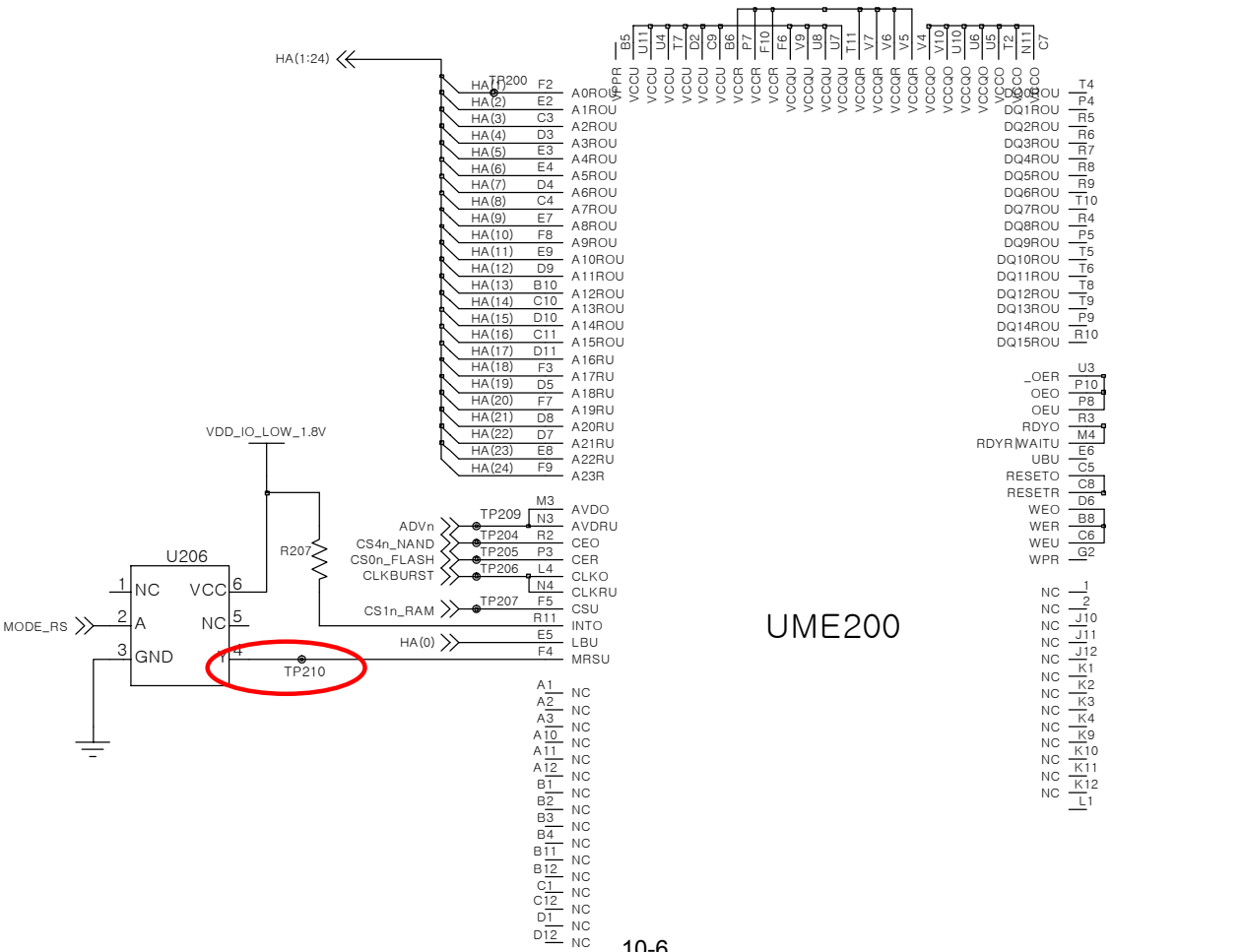
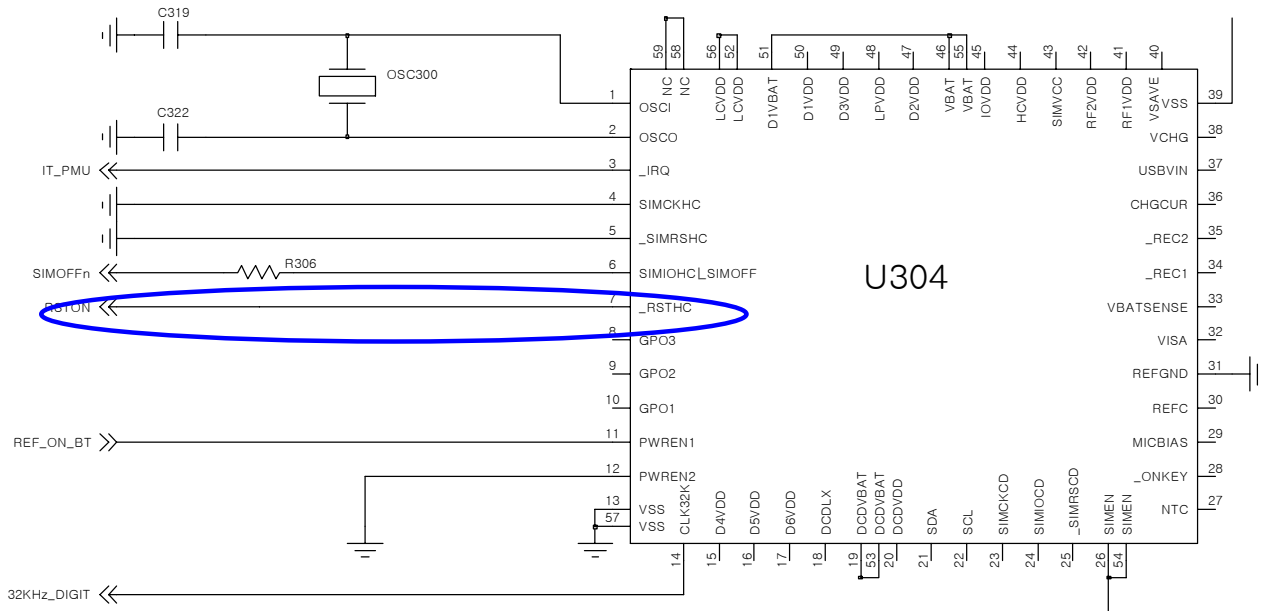




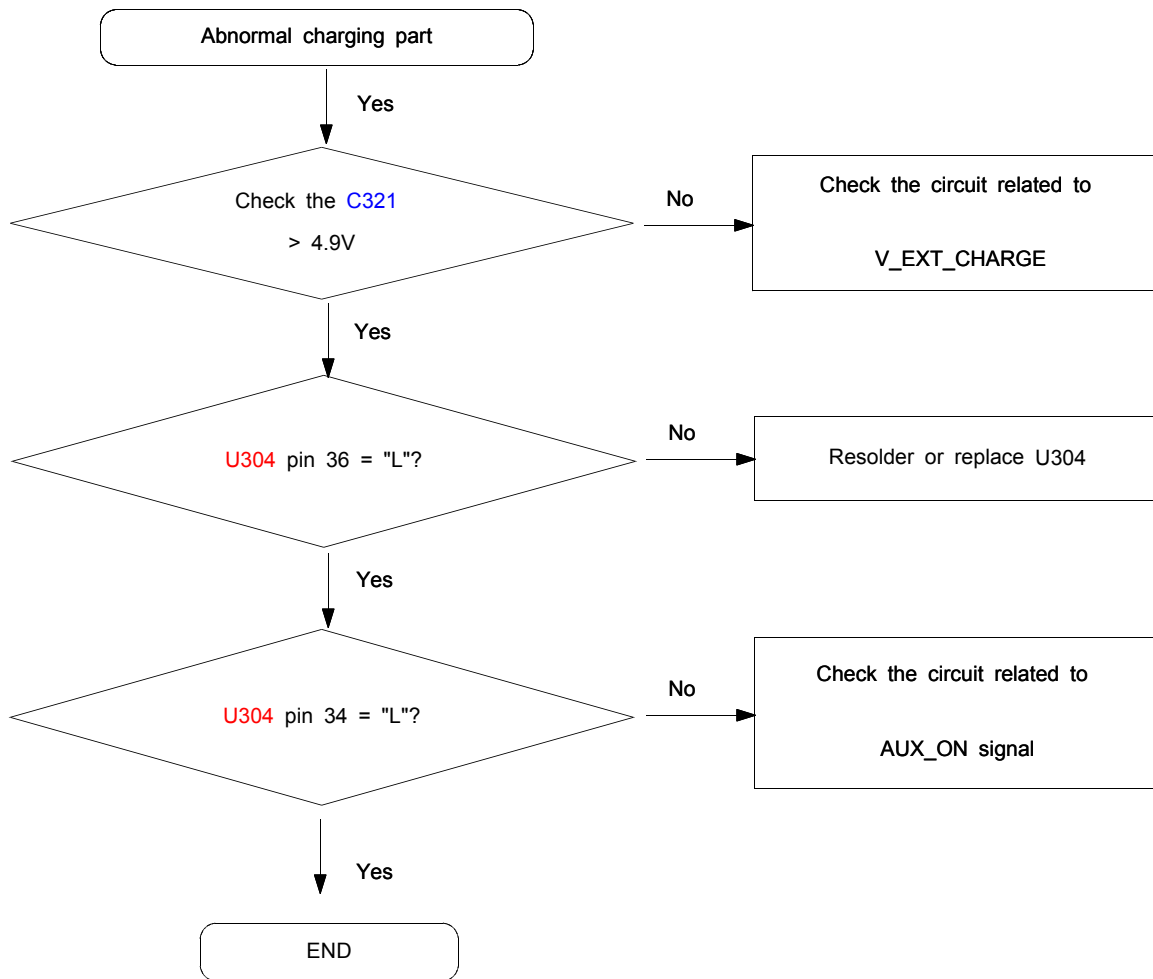
10-2. Initial

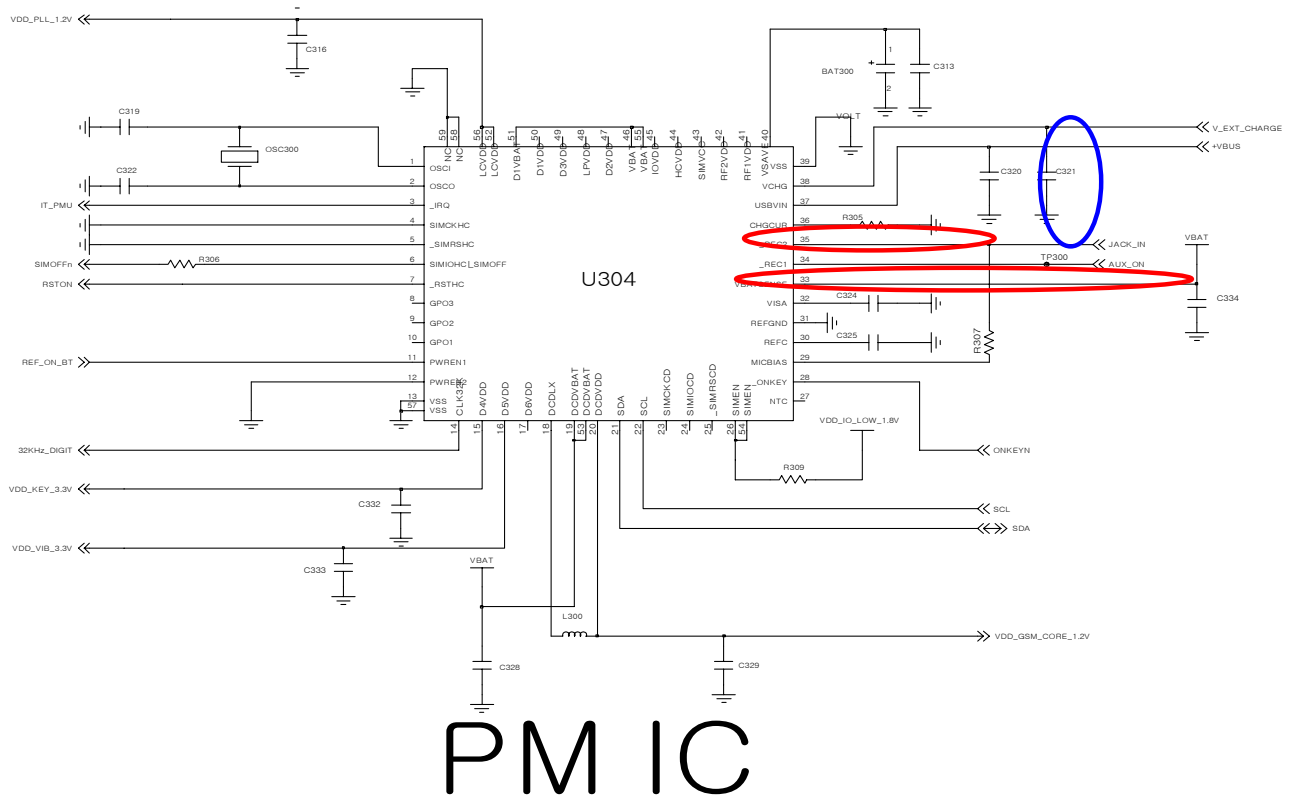


Flow Chart of Troubleshooting

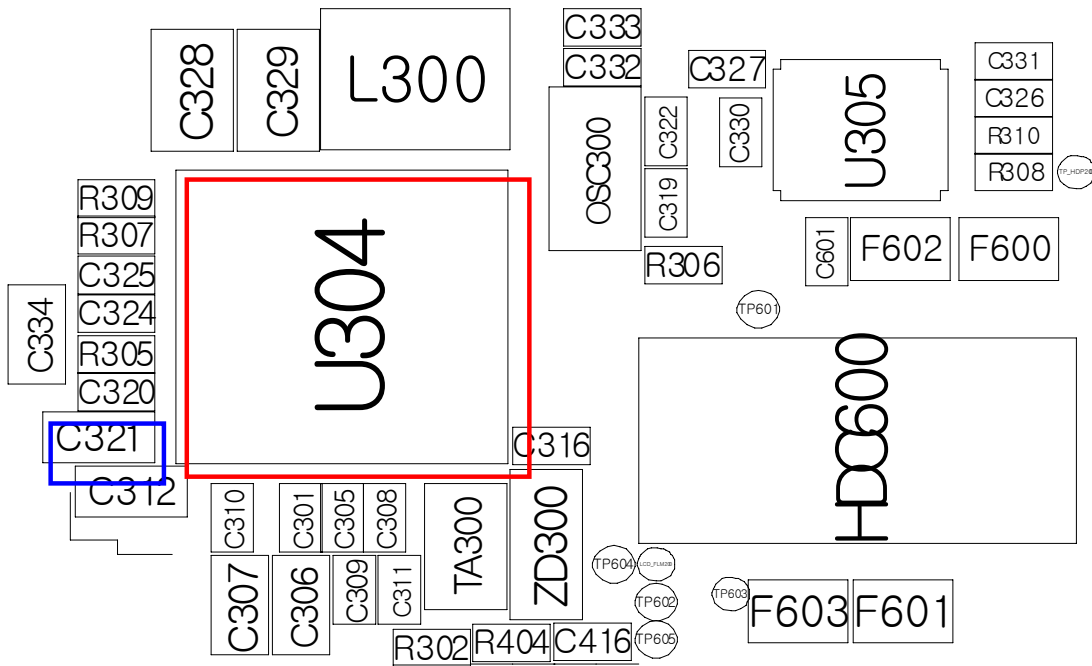


10-3. Charging Part

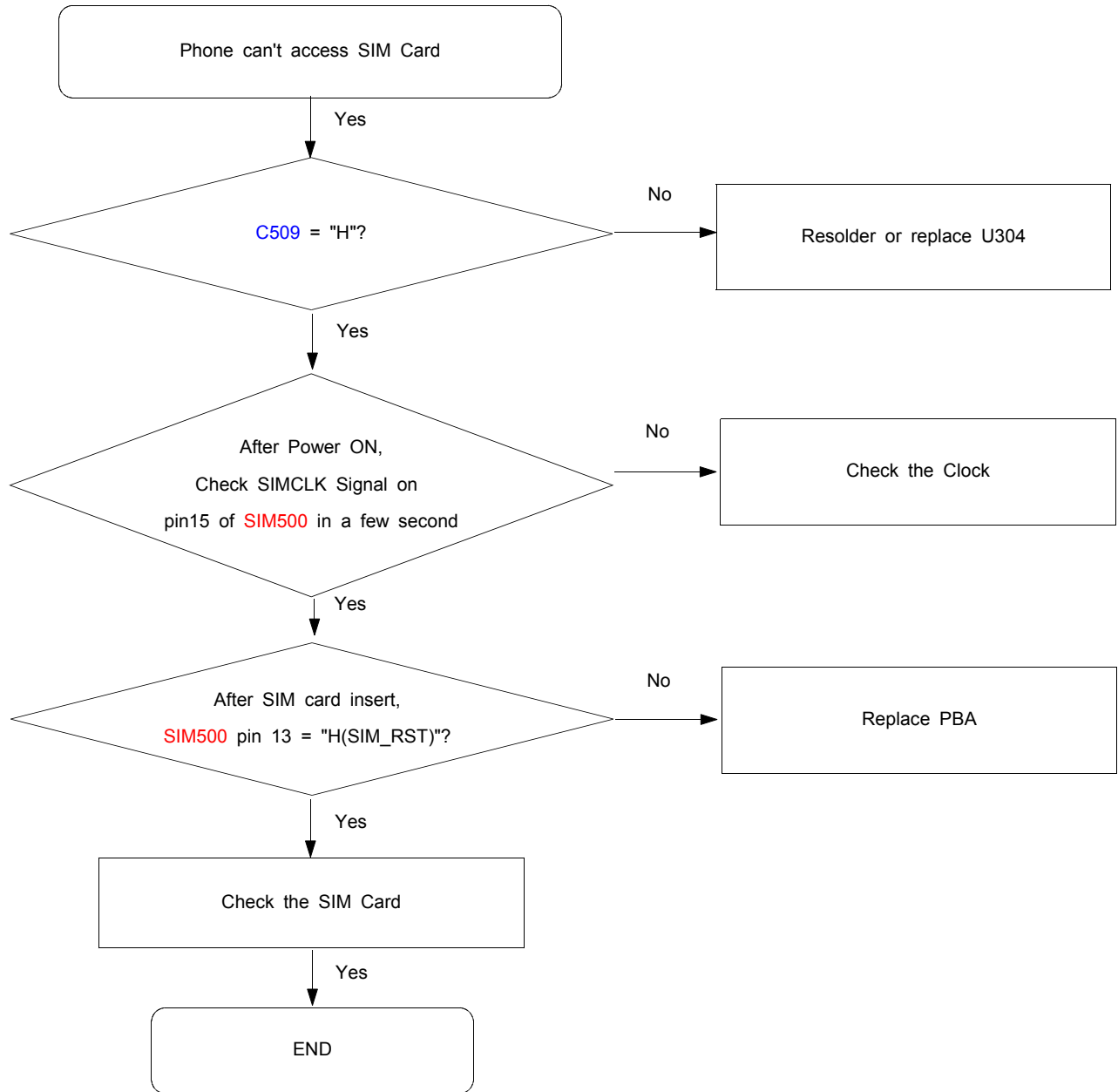


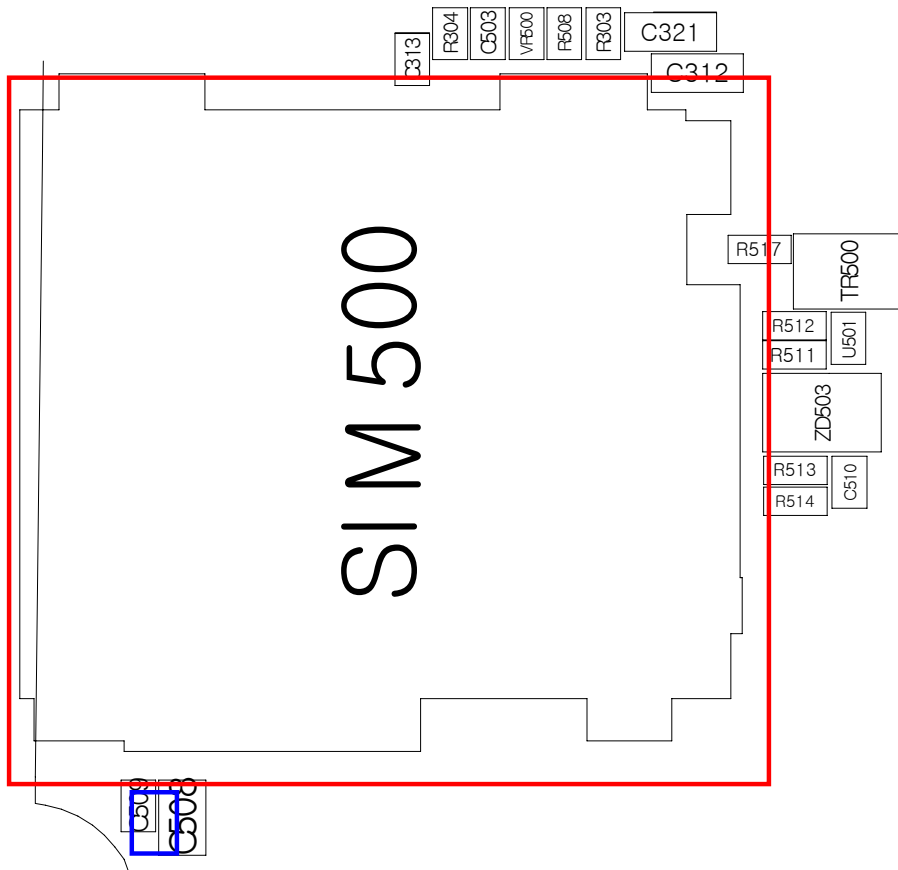
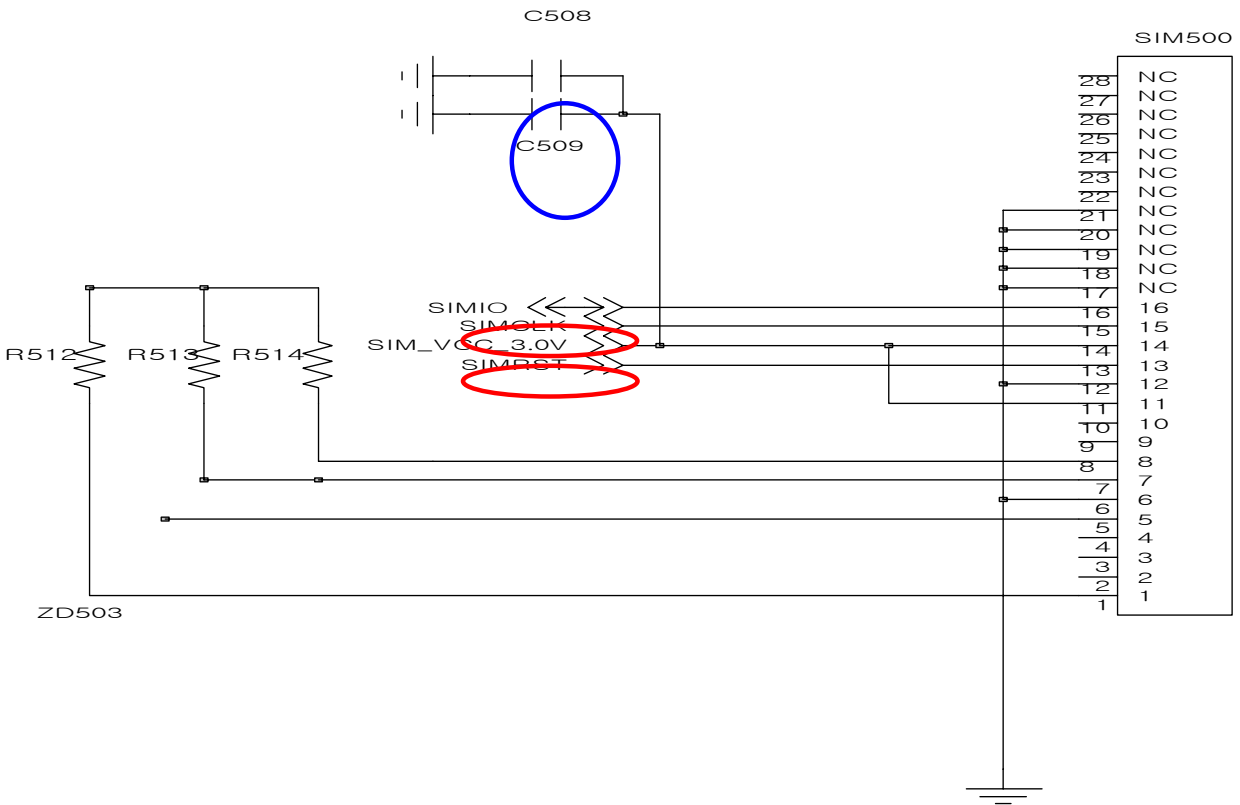


PM IC

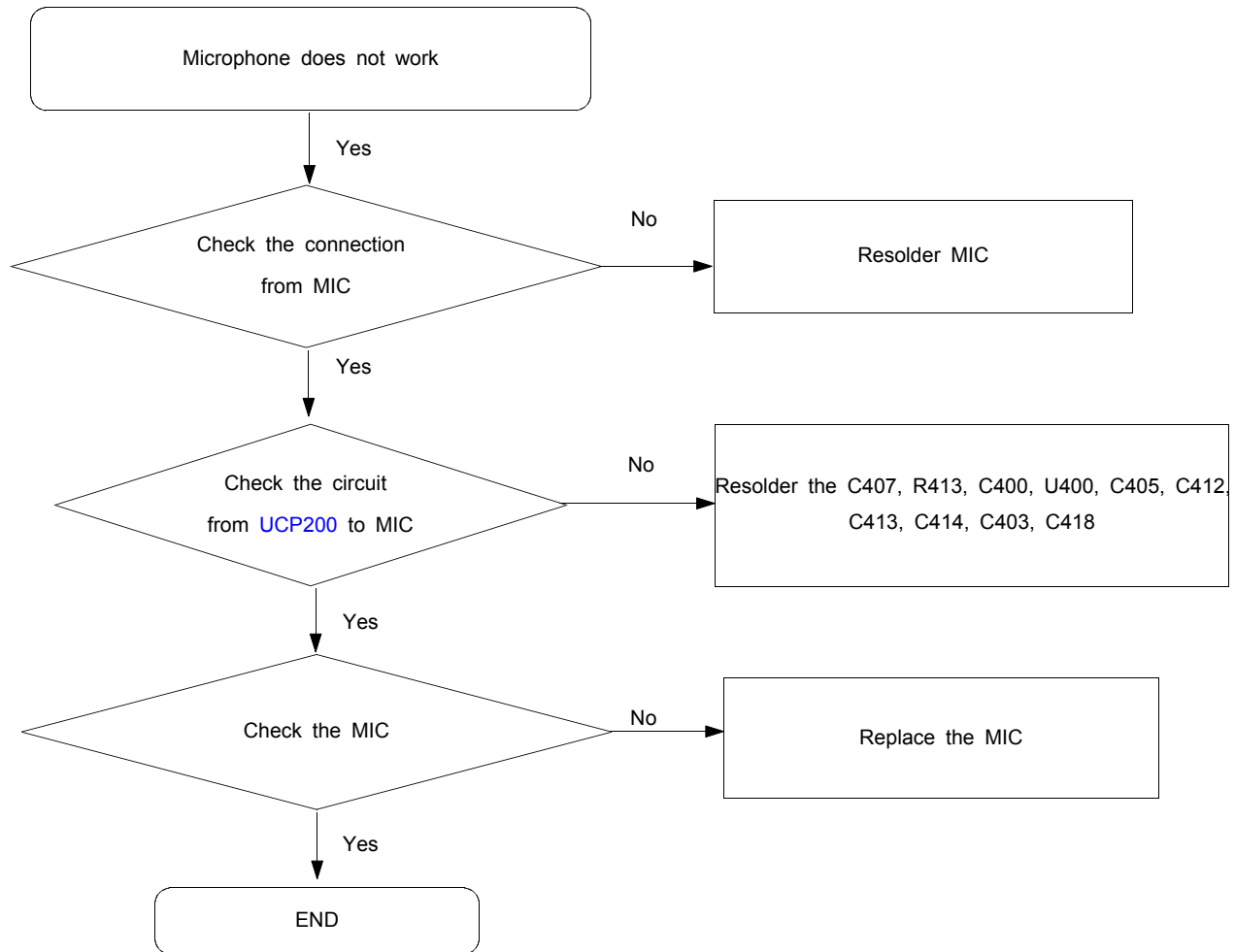


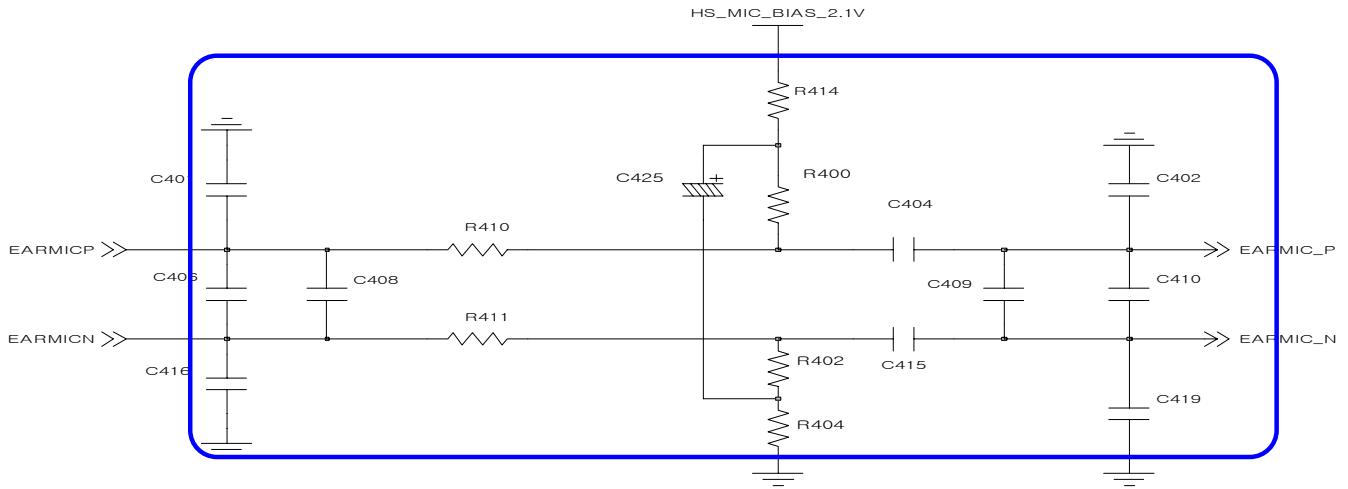
10-4. Sim Part



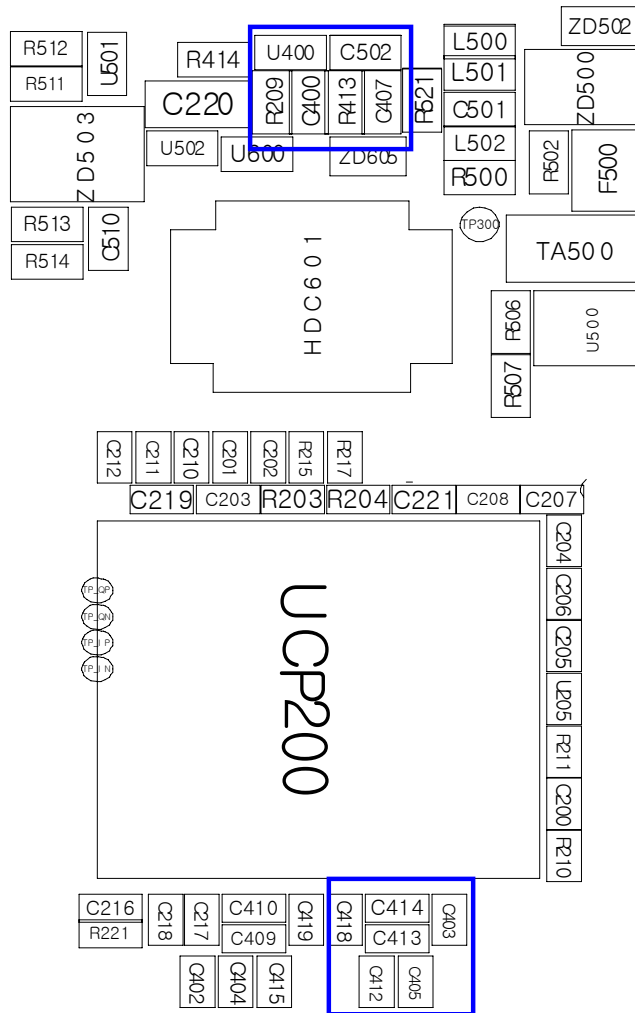


10-5. Microphone Part

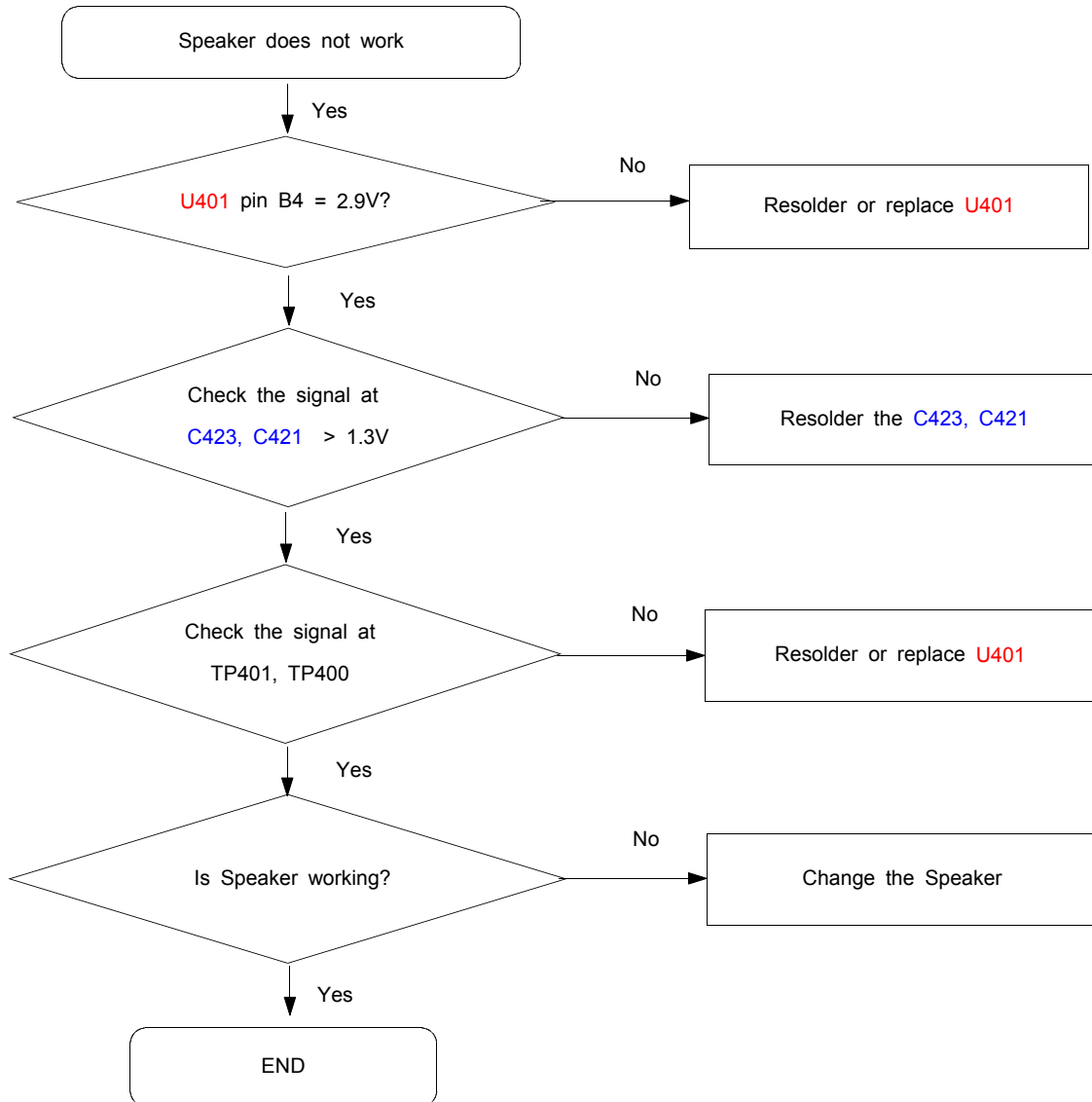


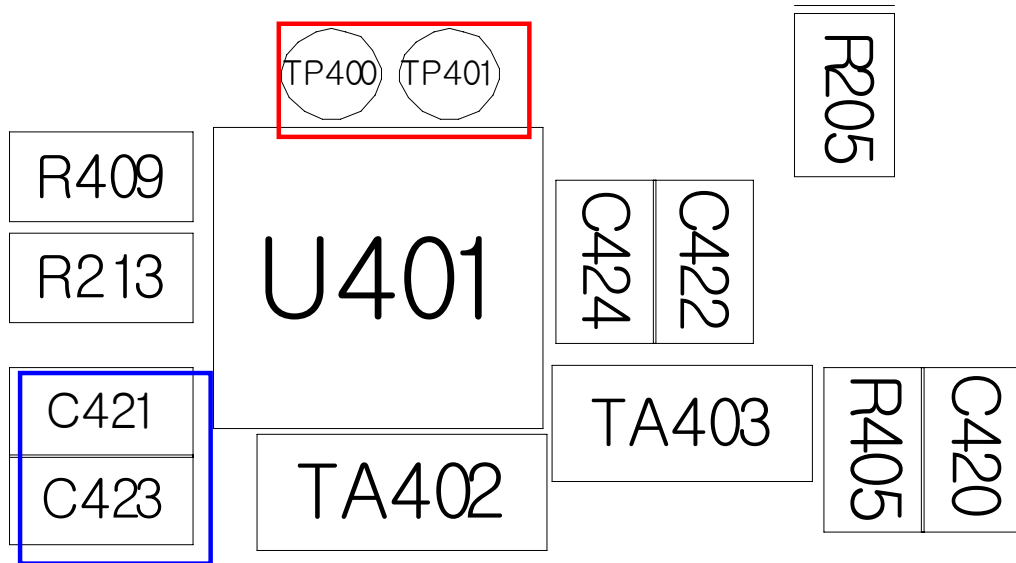
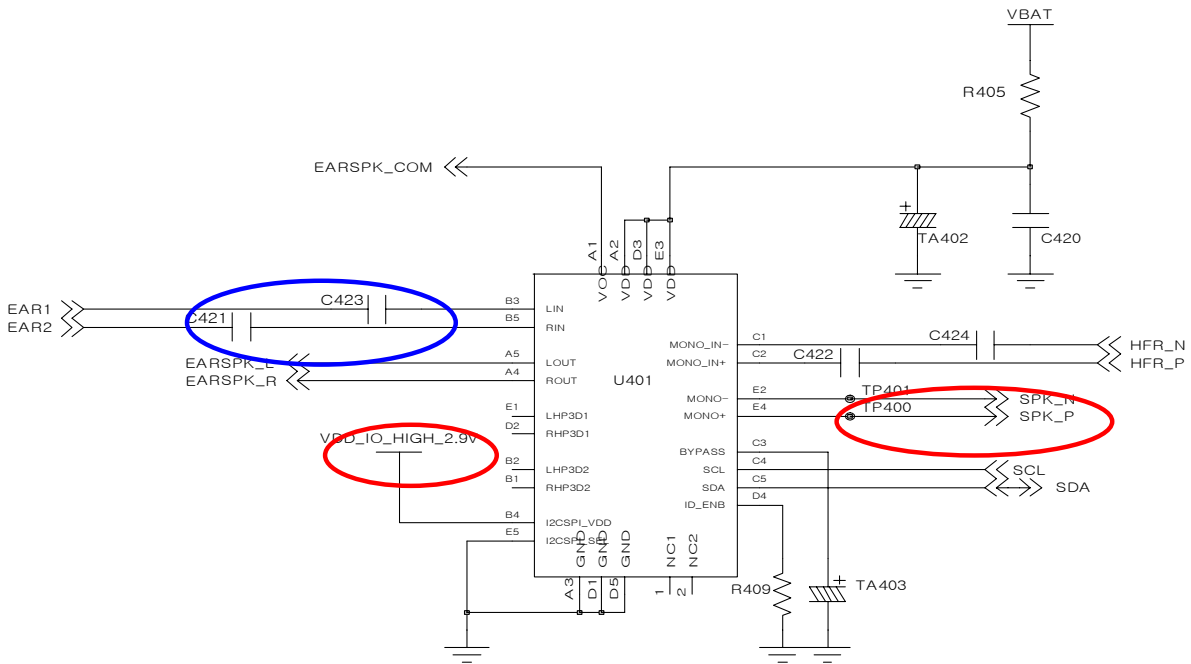


EAR MIC PATH

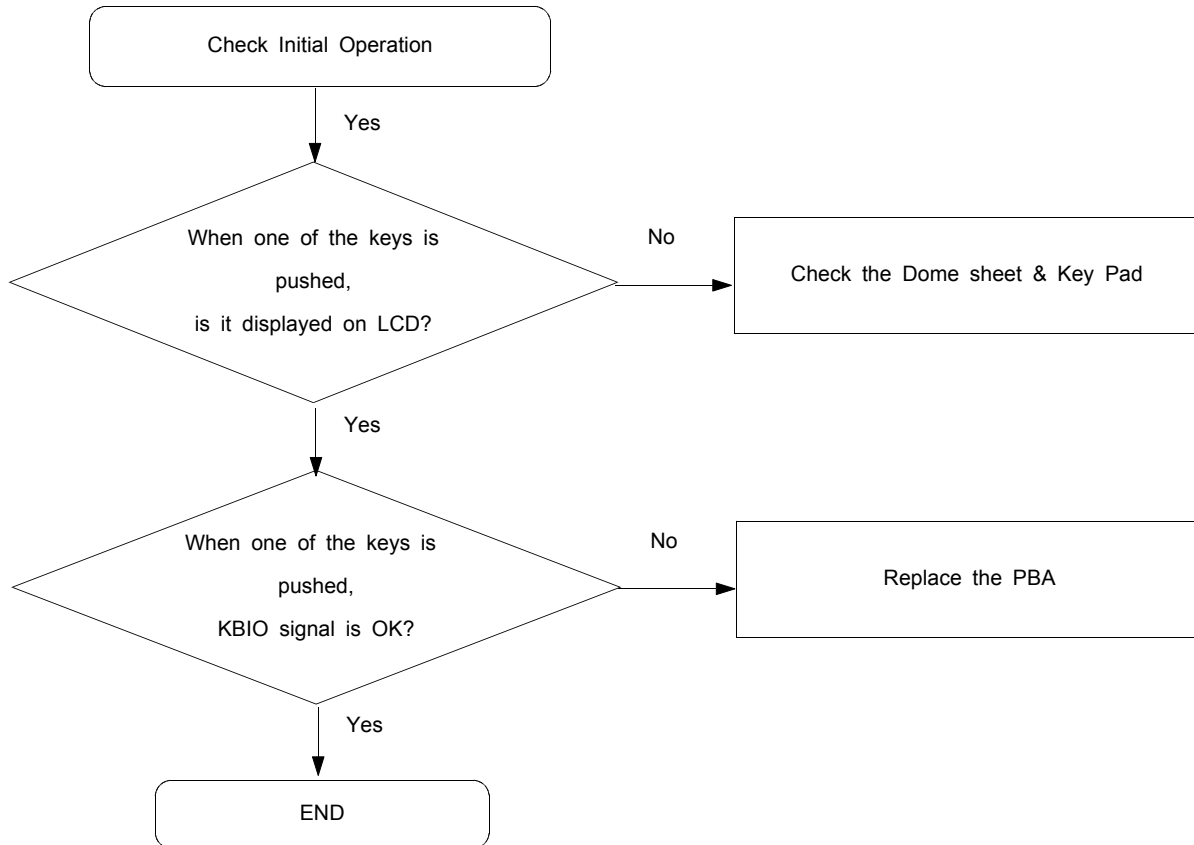


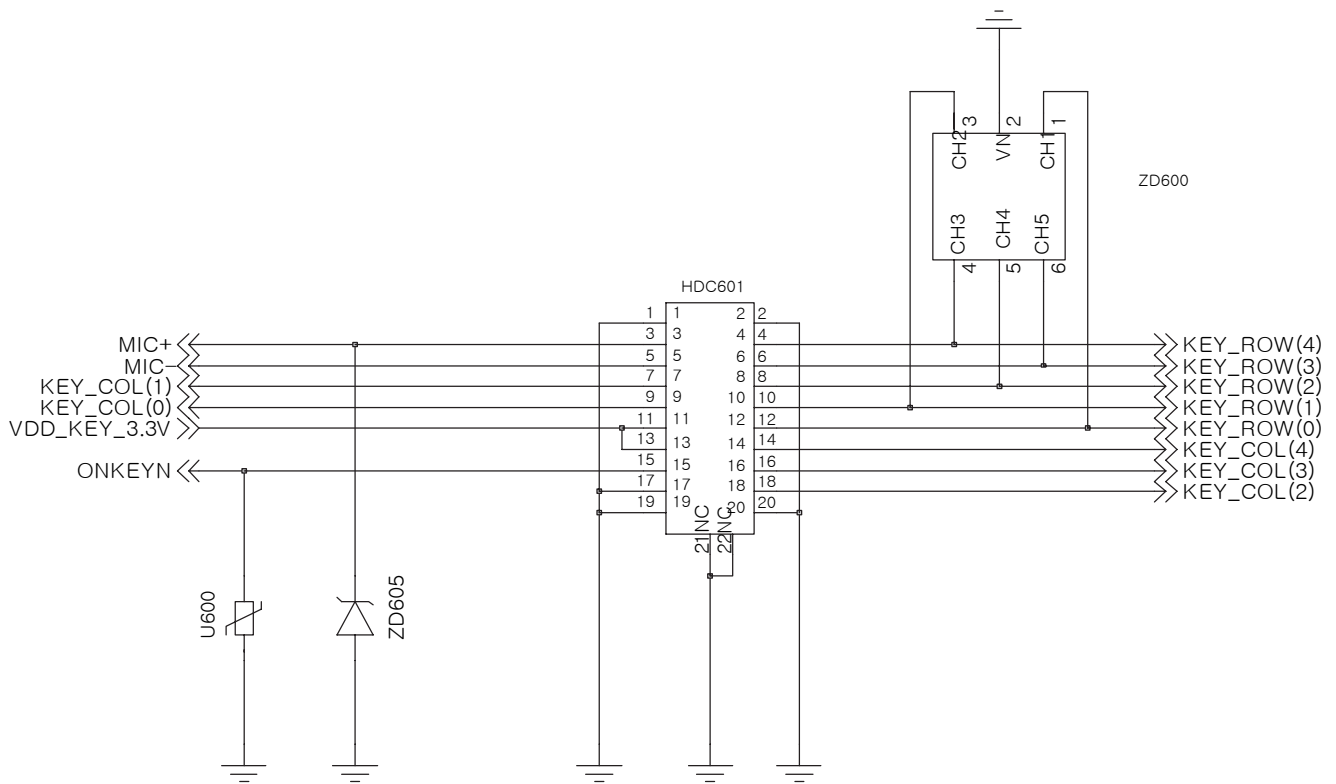
10-6. Speaker Part(Melody)



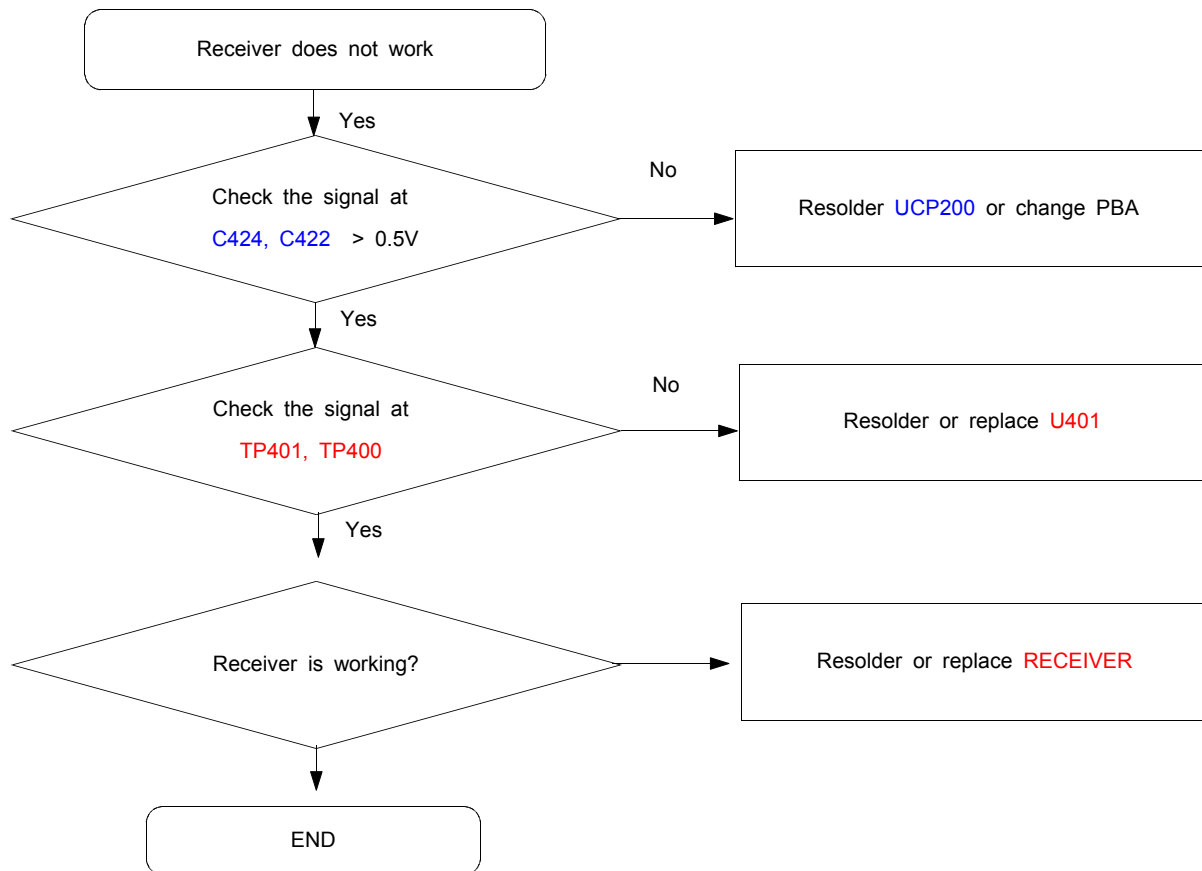


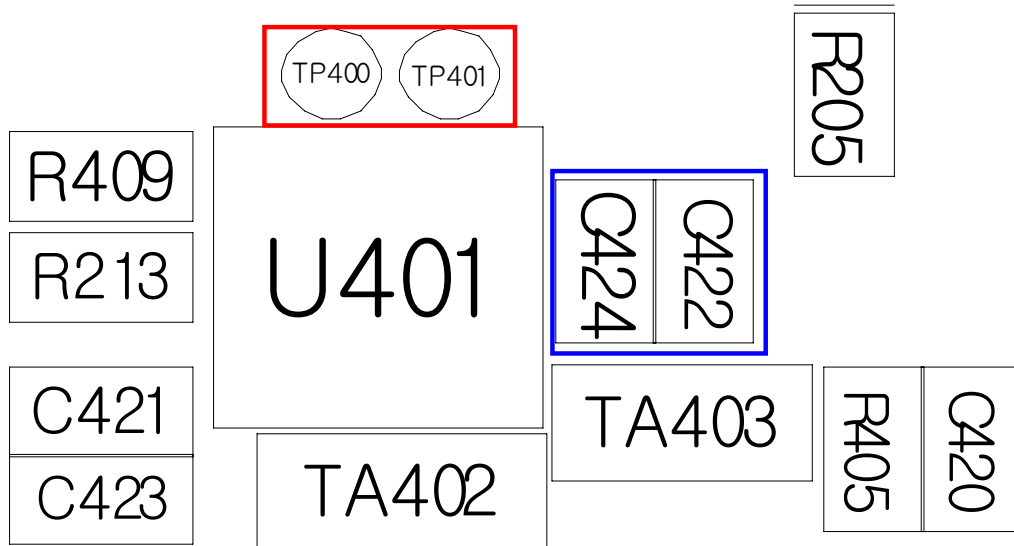
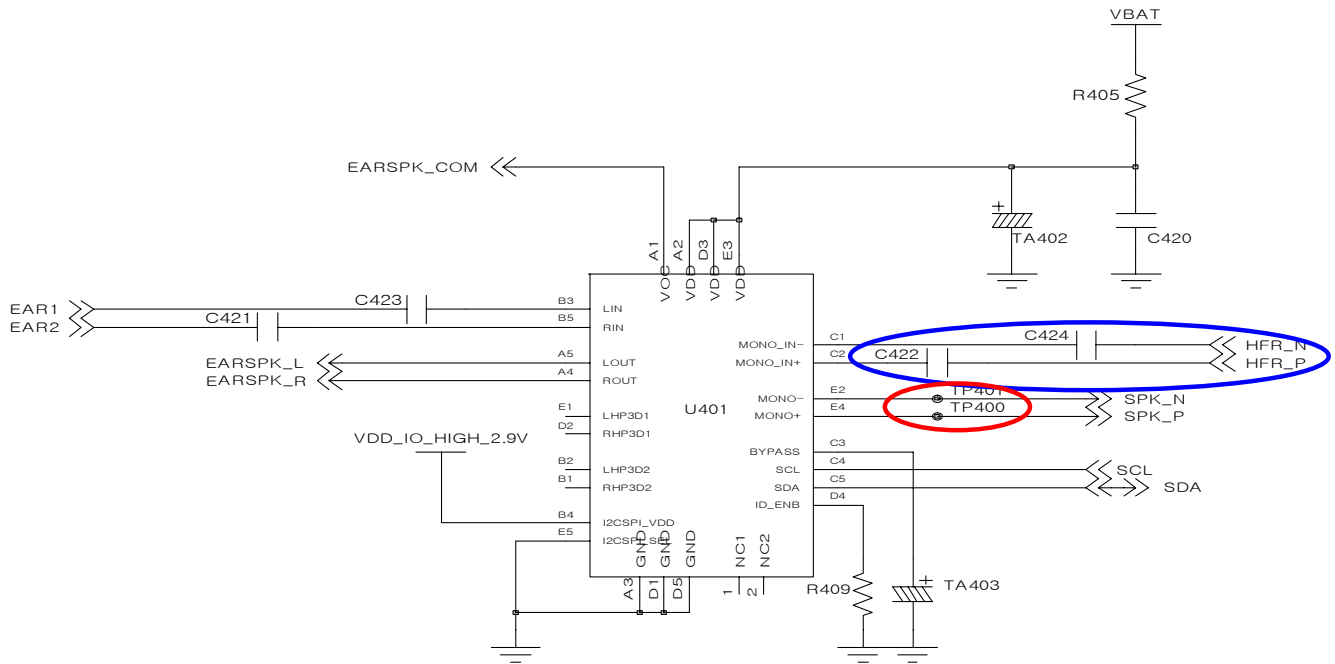
10-7. Key Data Input



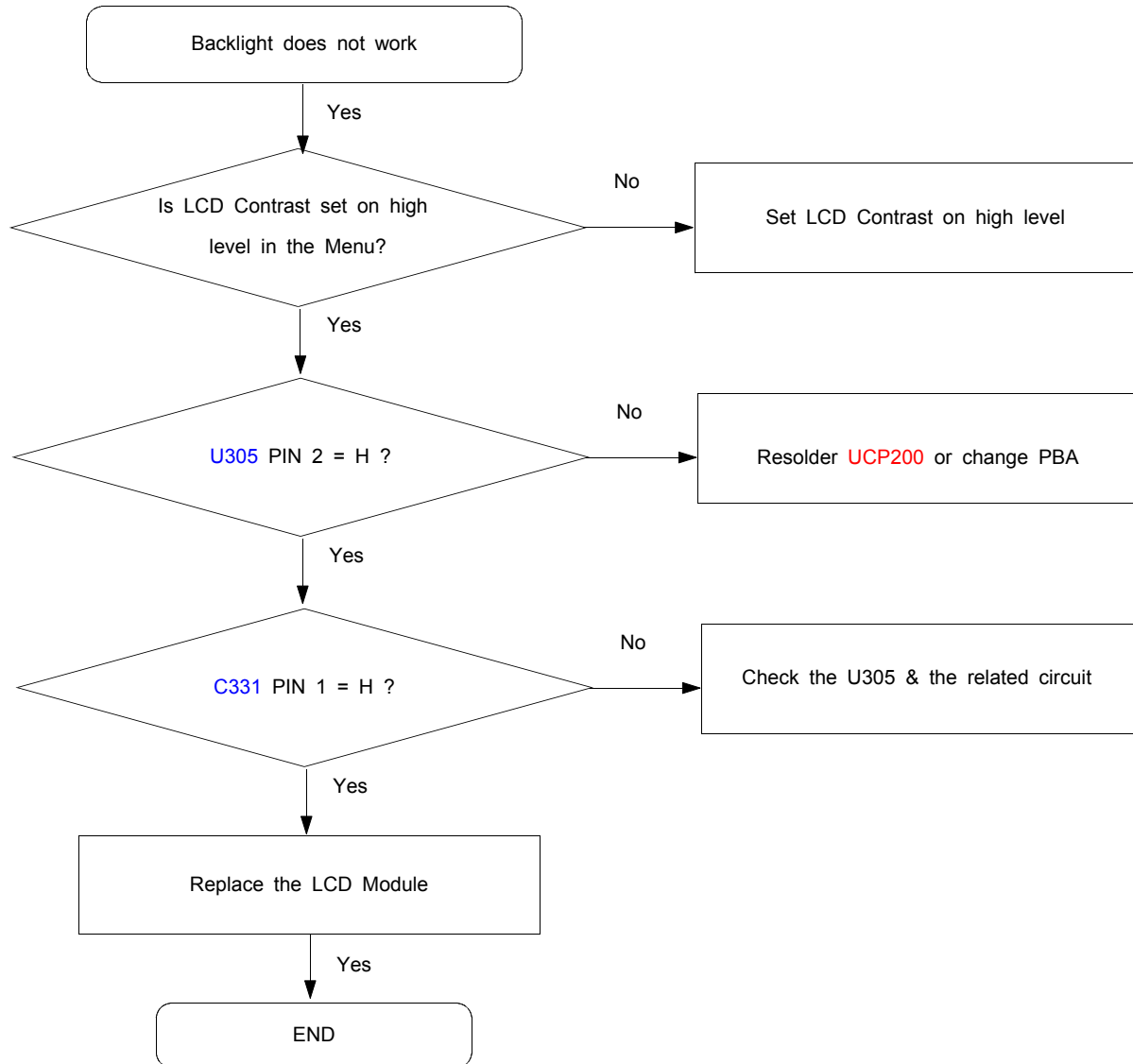


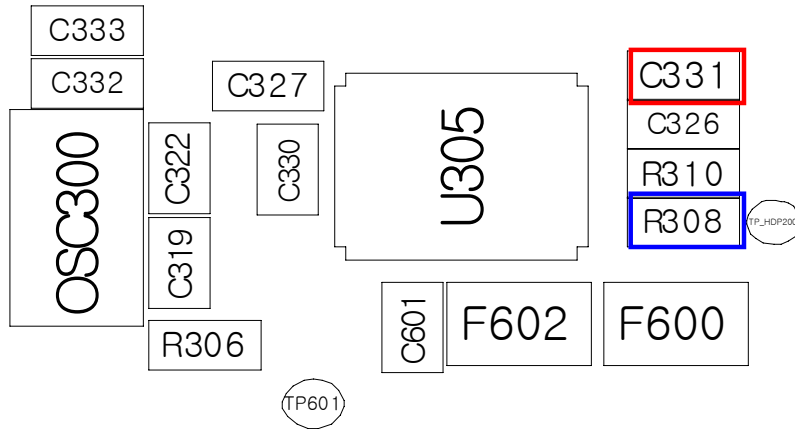
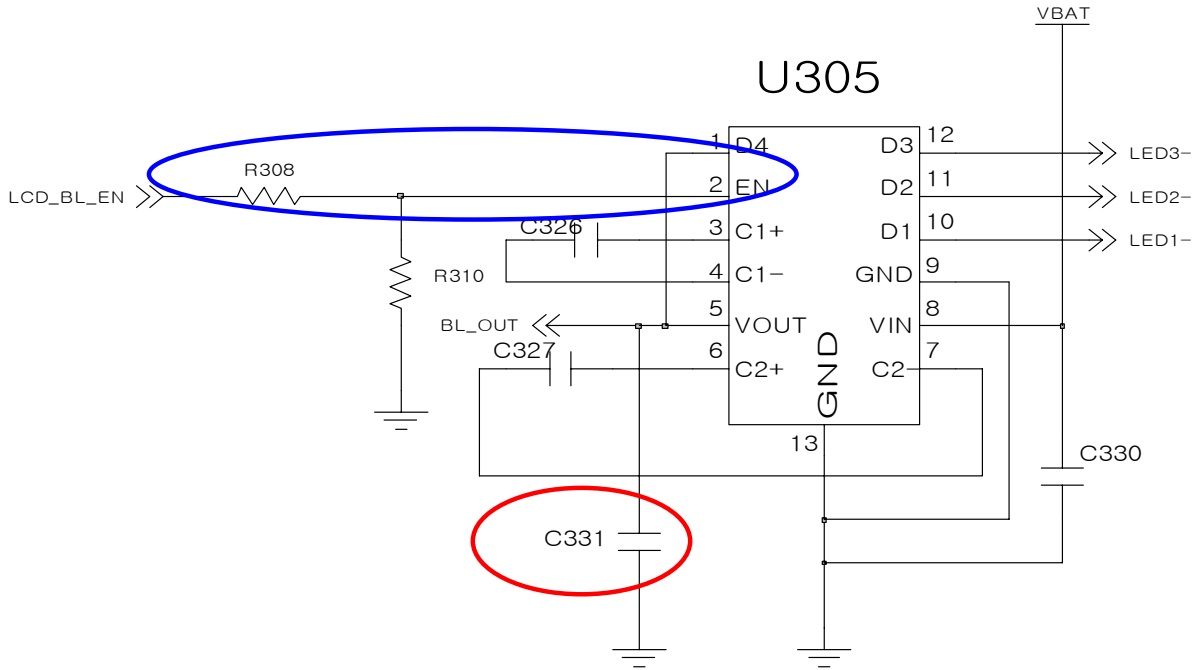
10-8. Receiver Part



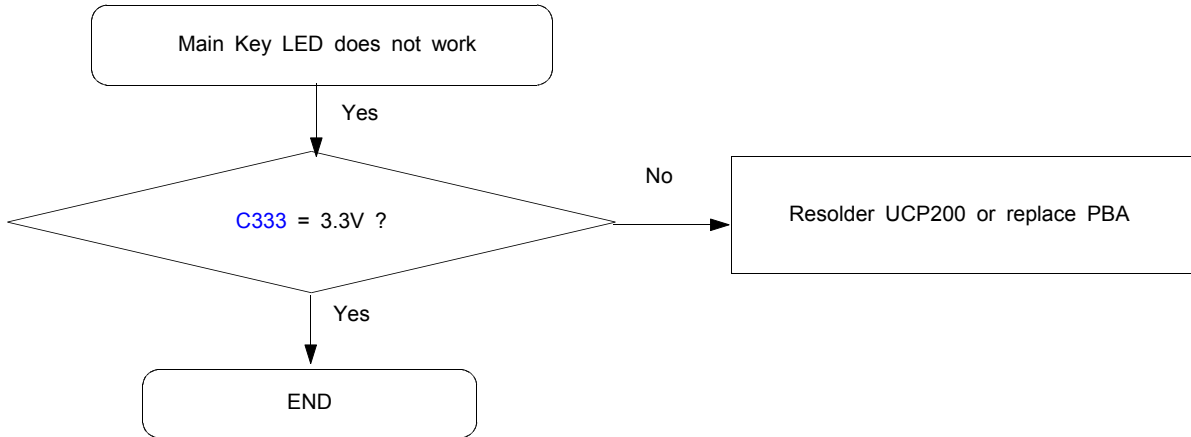


10-9. Back Light (for Color Main LCD)

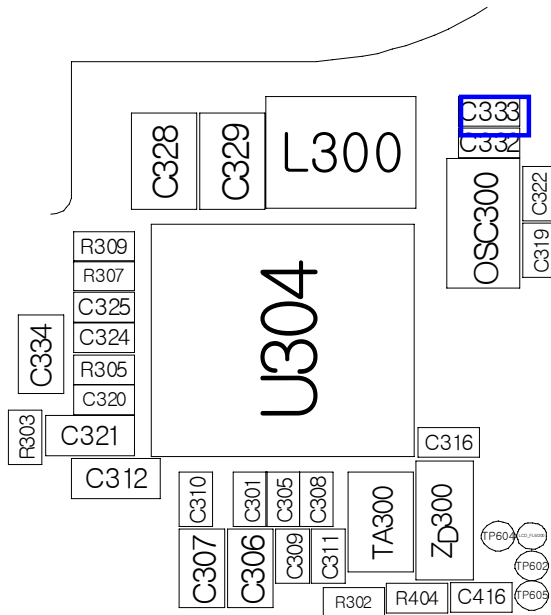
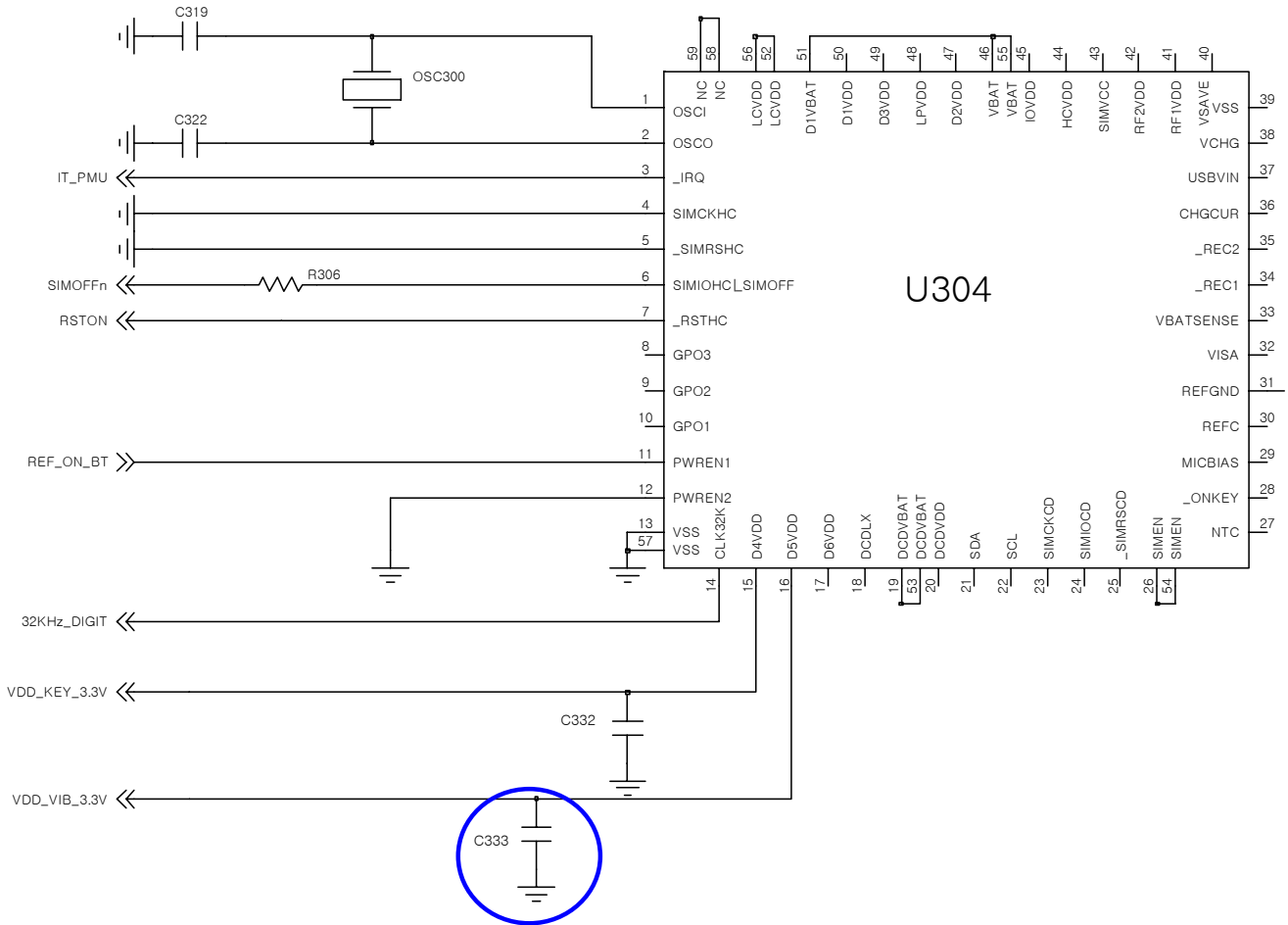




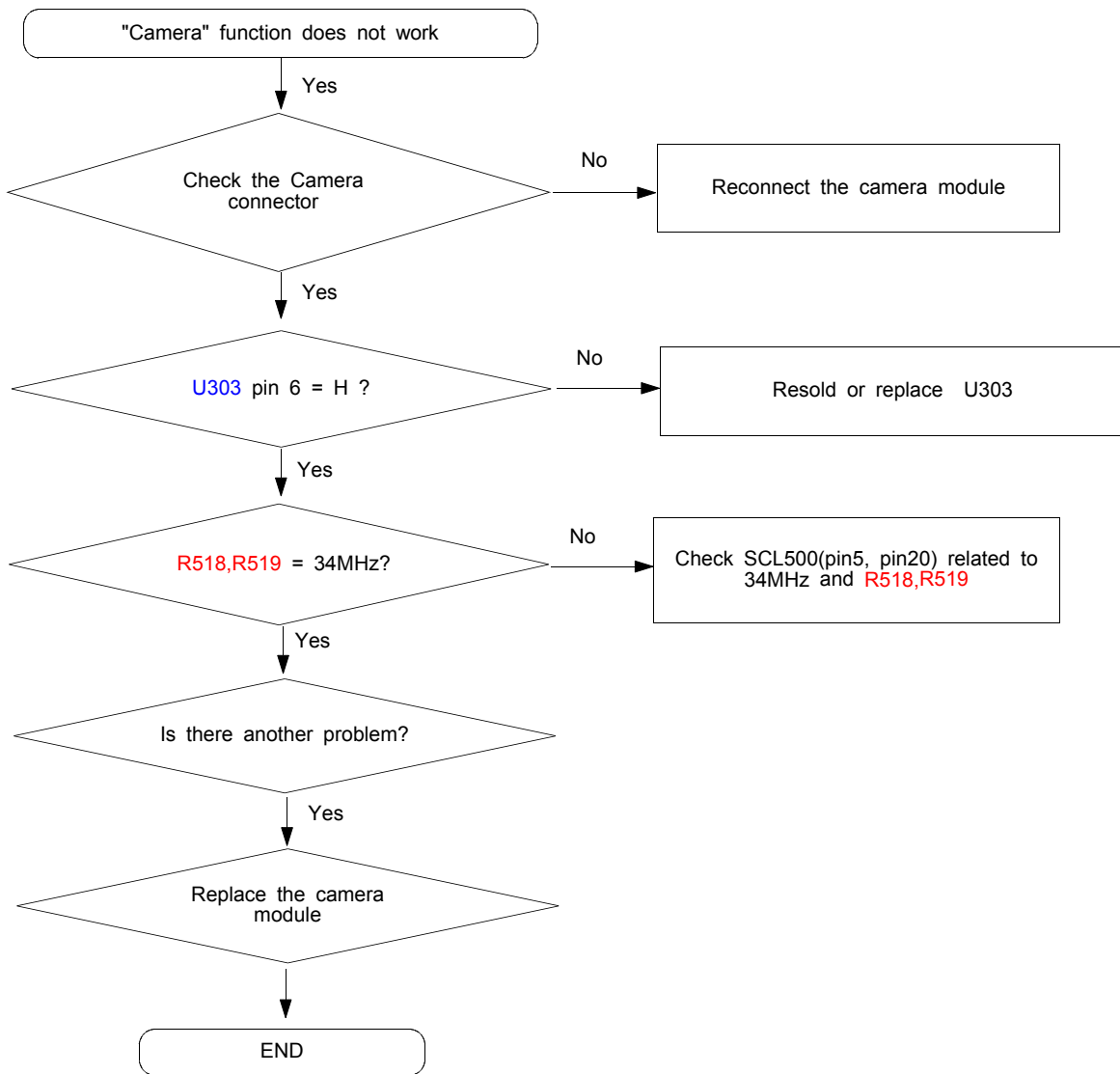
10-10. Key Back Light

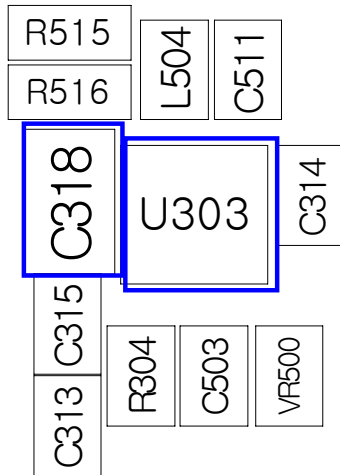
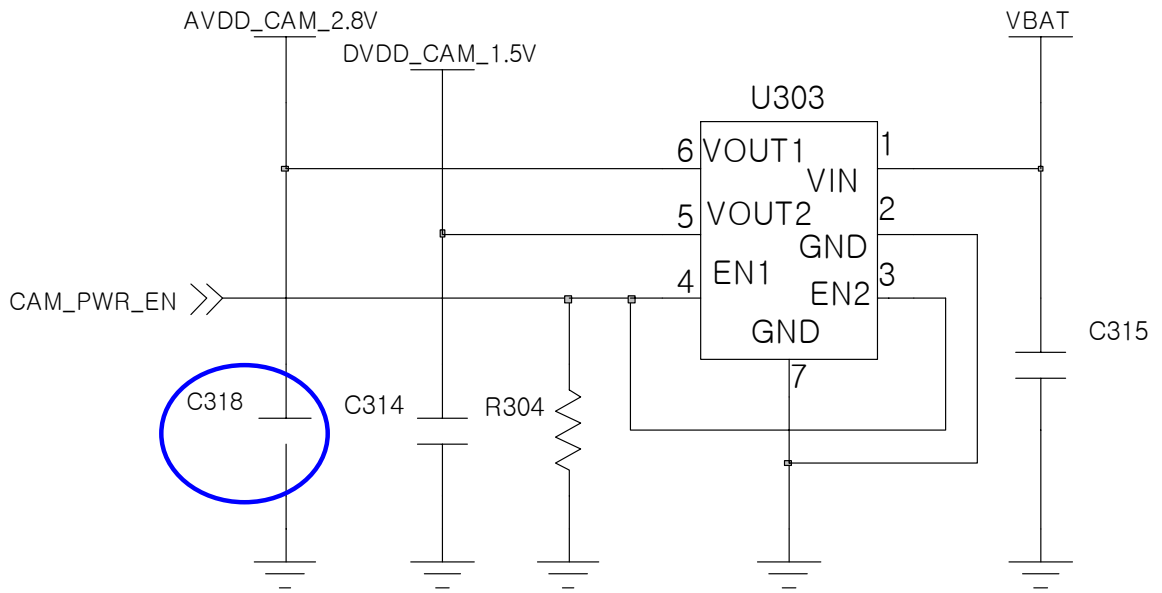


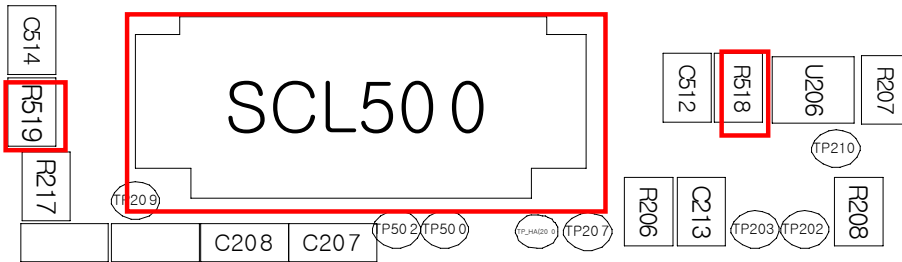
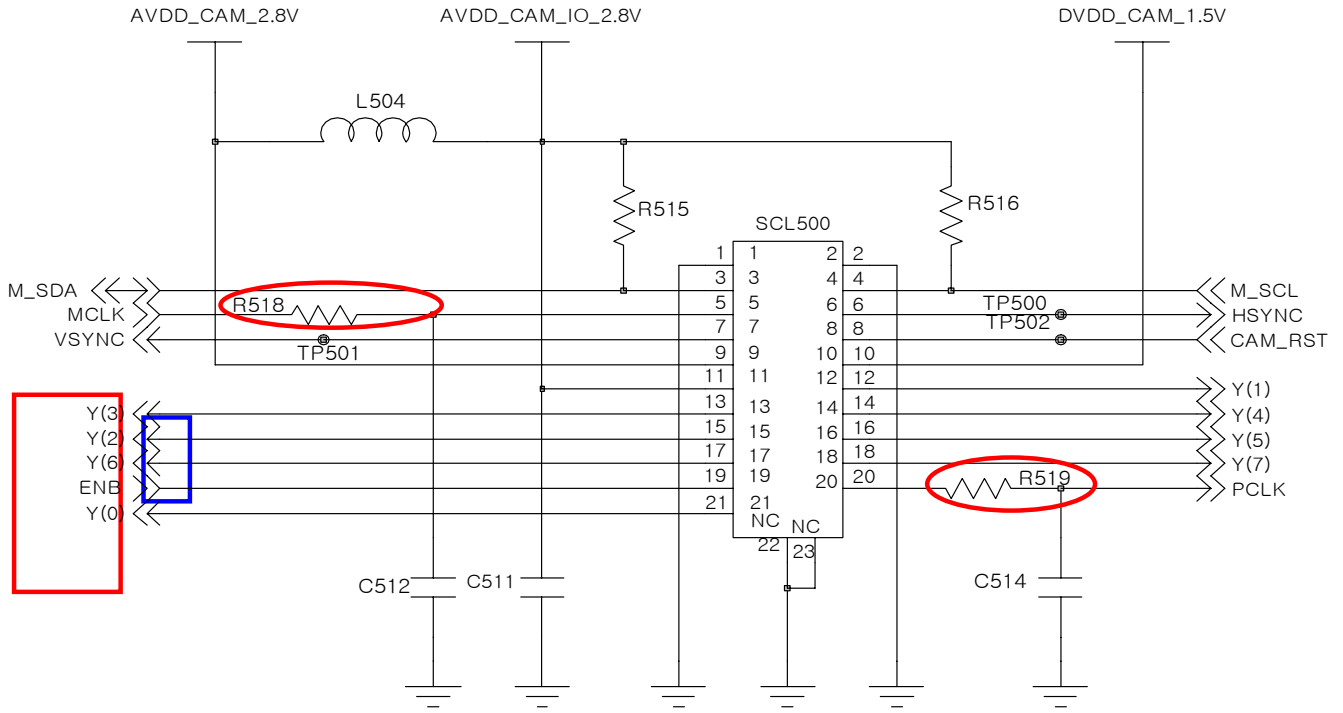
Flow Chart of Troubleshooting



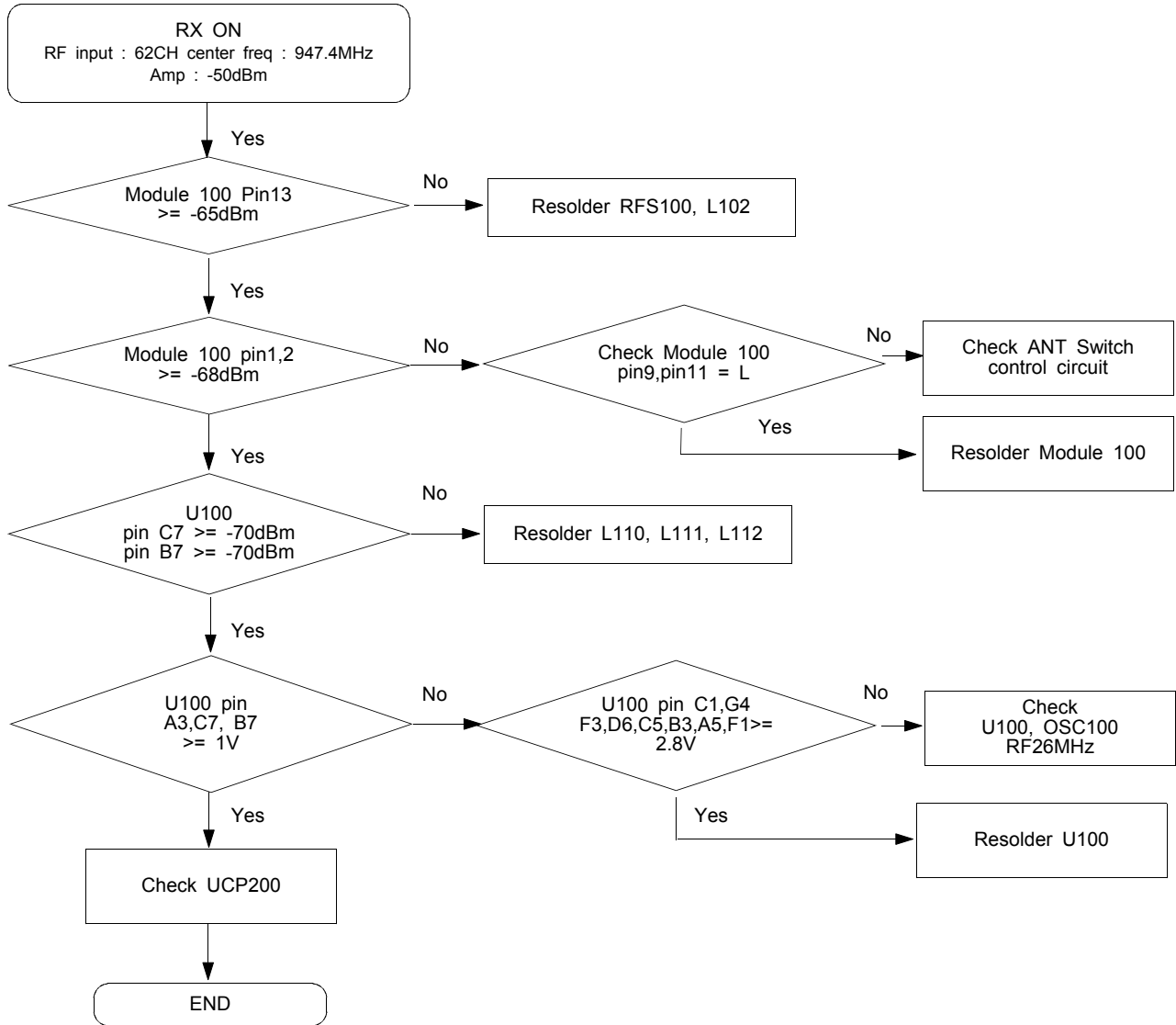
10-11. Camera part



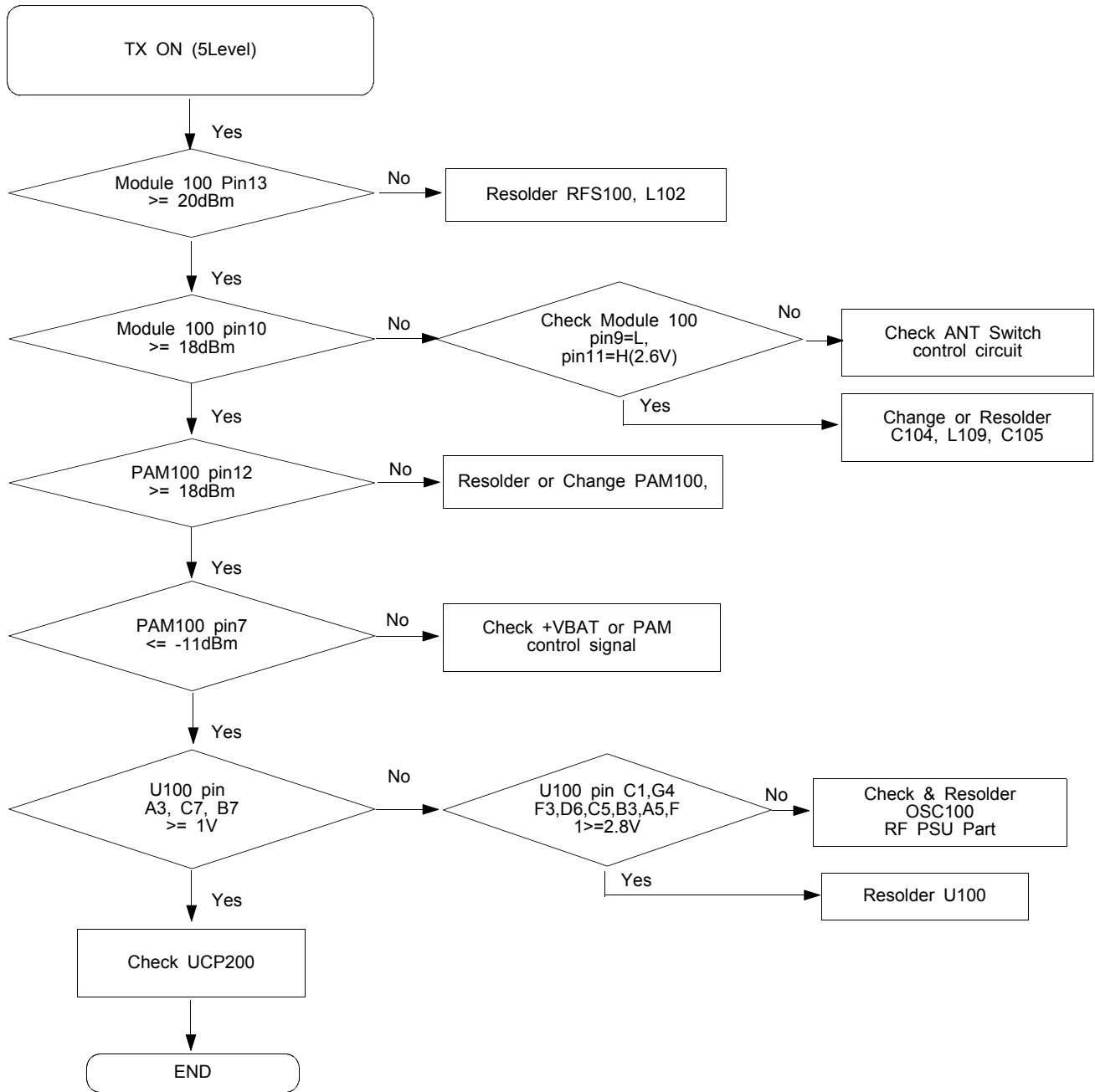




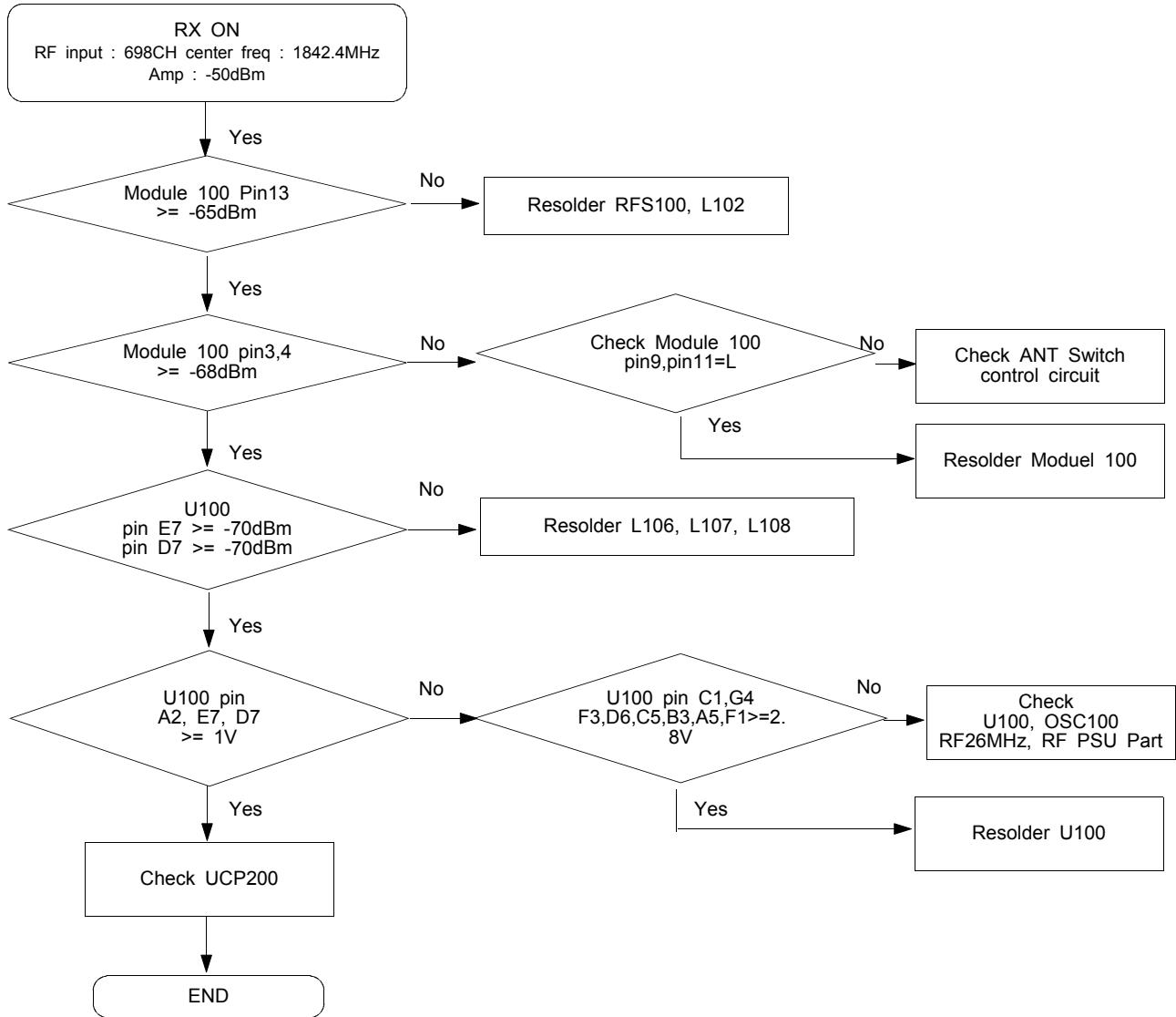
10-12. GSM Receiver



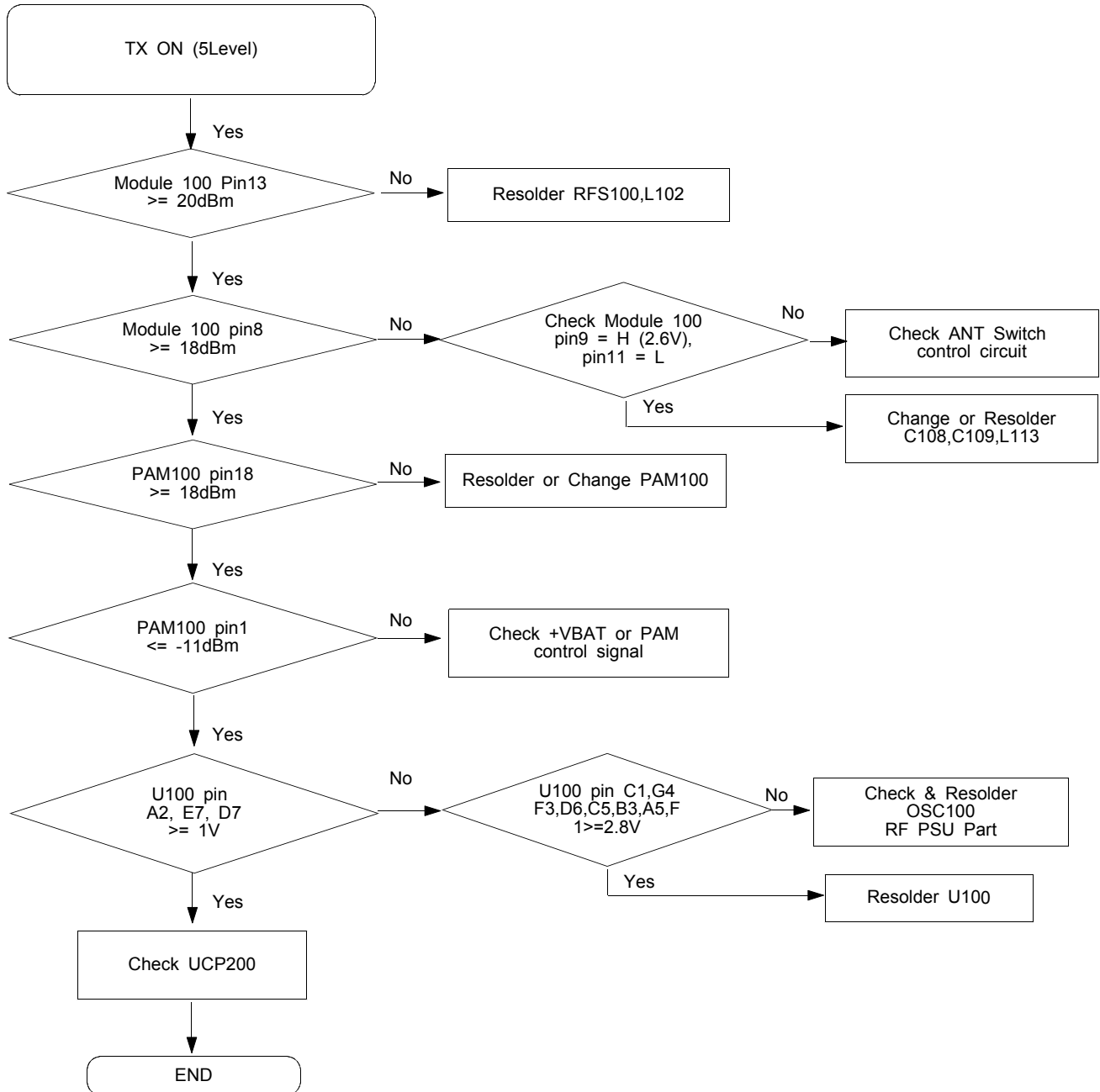
10-13. GSM Transmitter



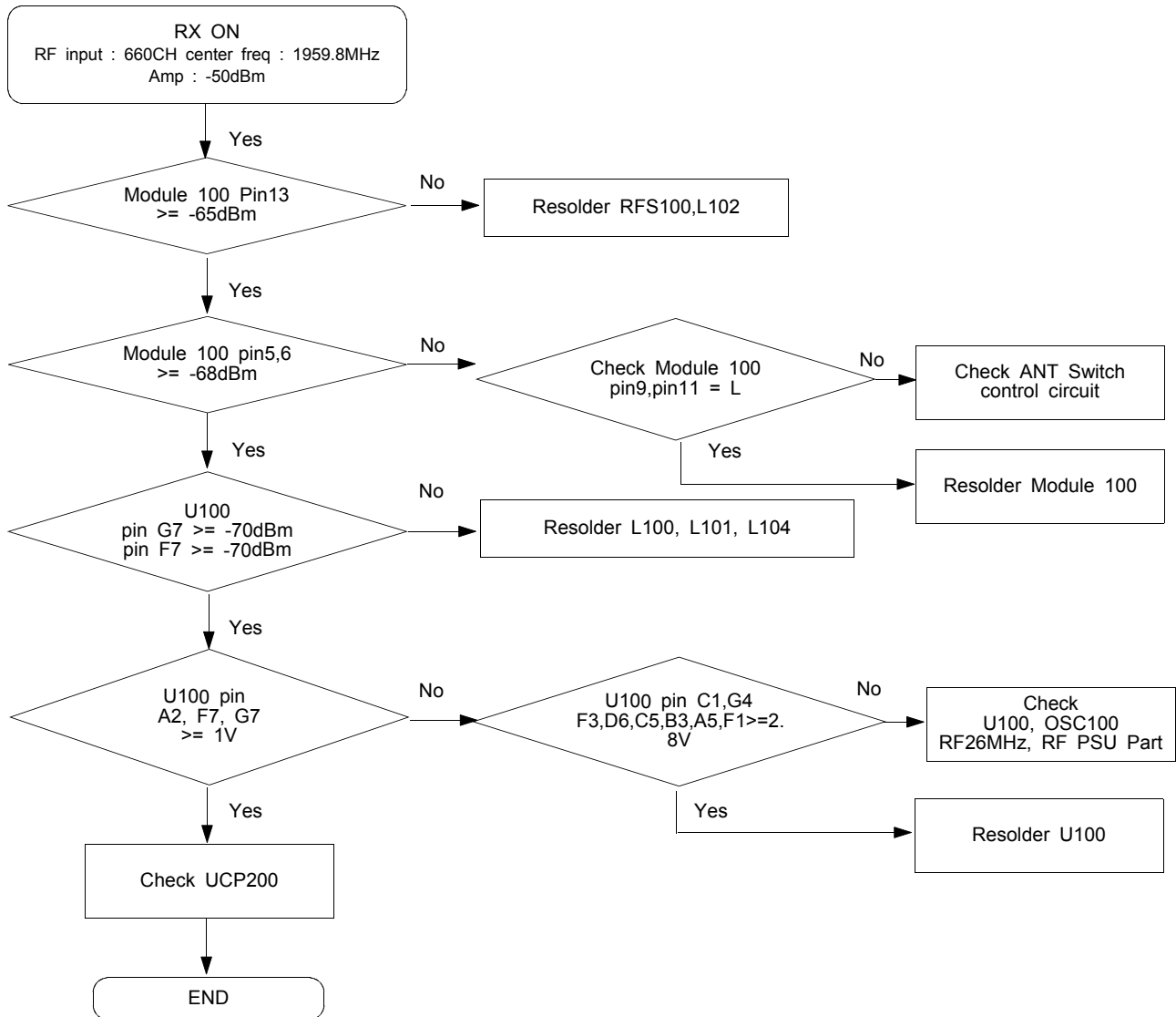
10-14. DCS Receiver



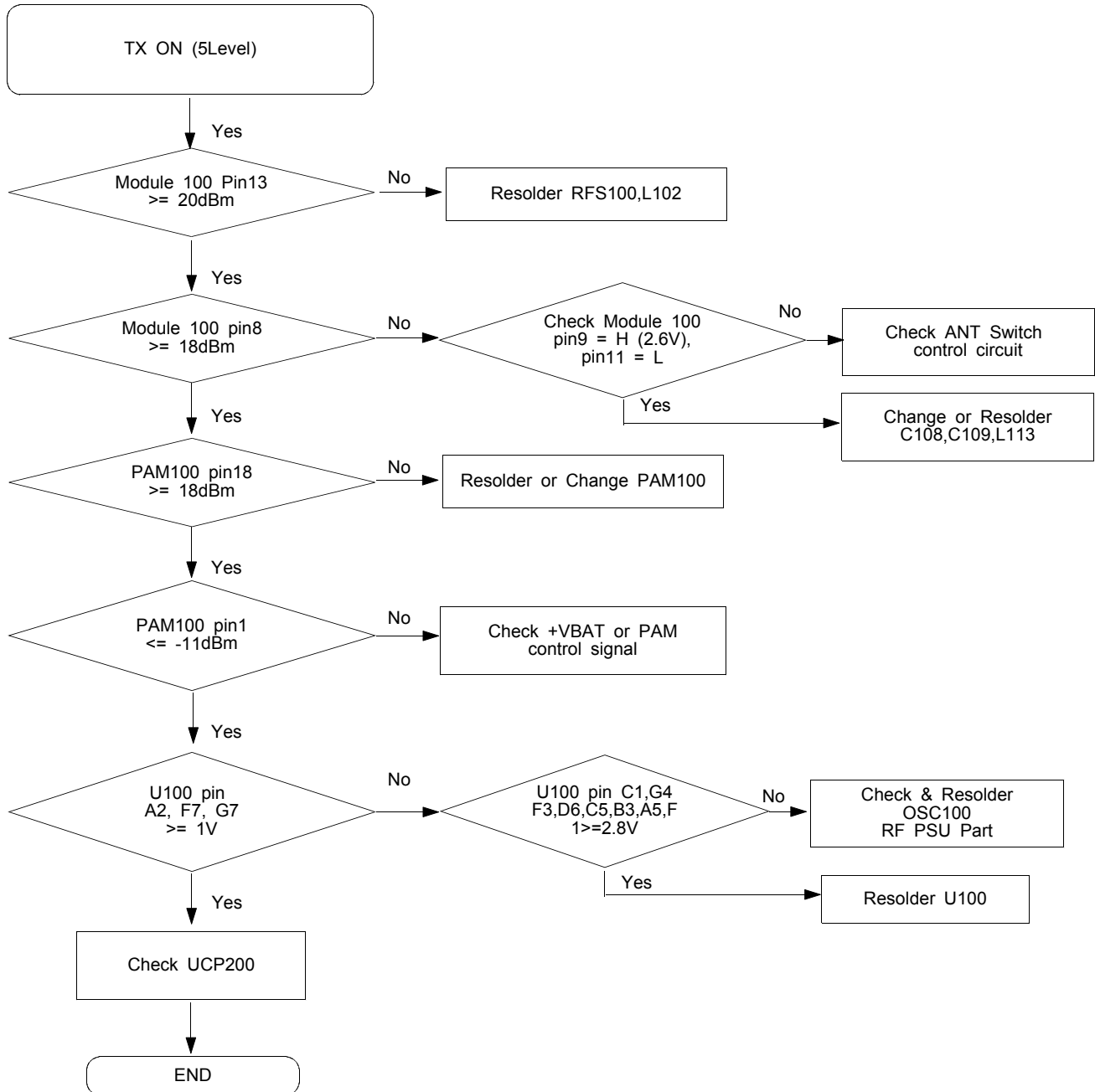
10-15. DCS Transmitter

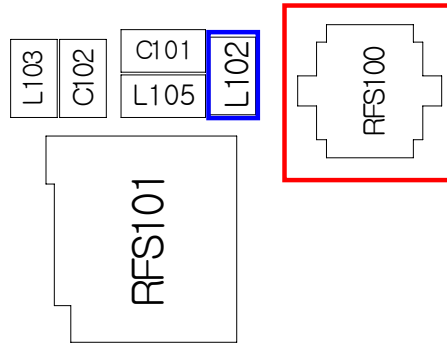
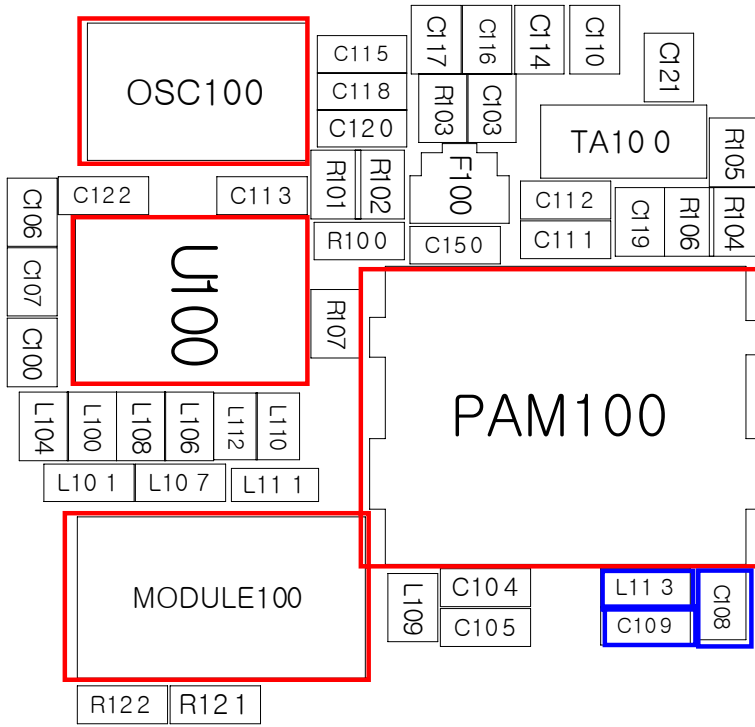


10-16. PCS Receiver



10-17. PCS Transmitter





Flow Chart of Troubleshooting

