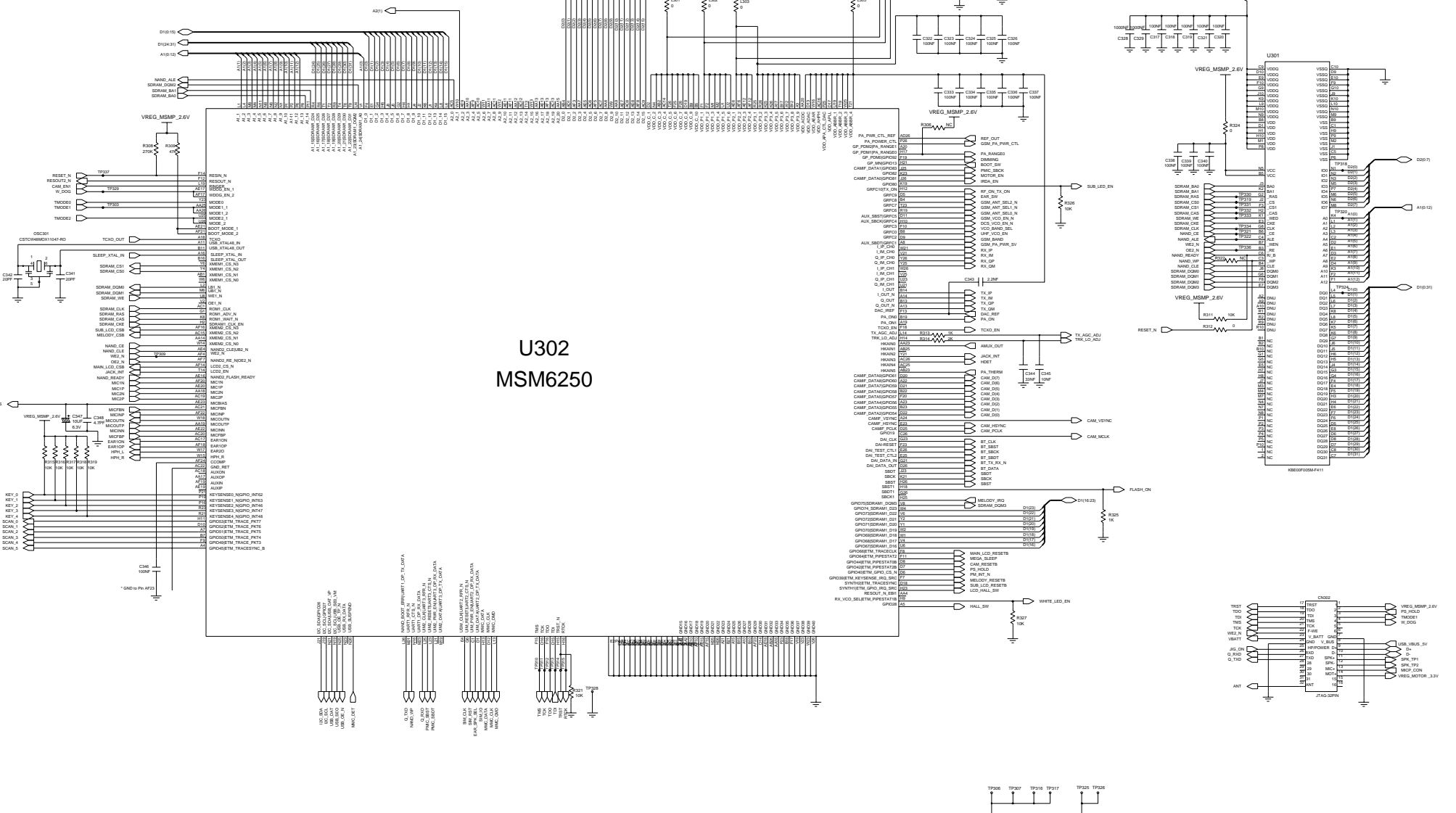
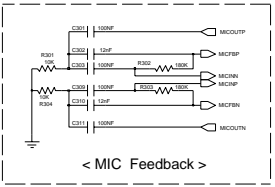
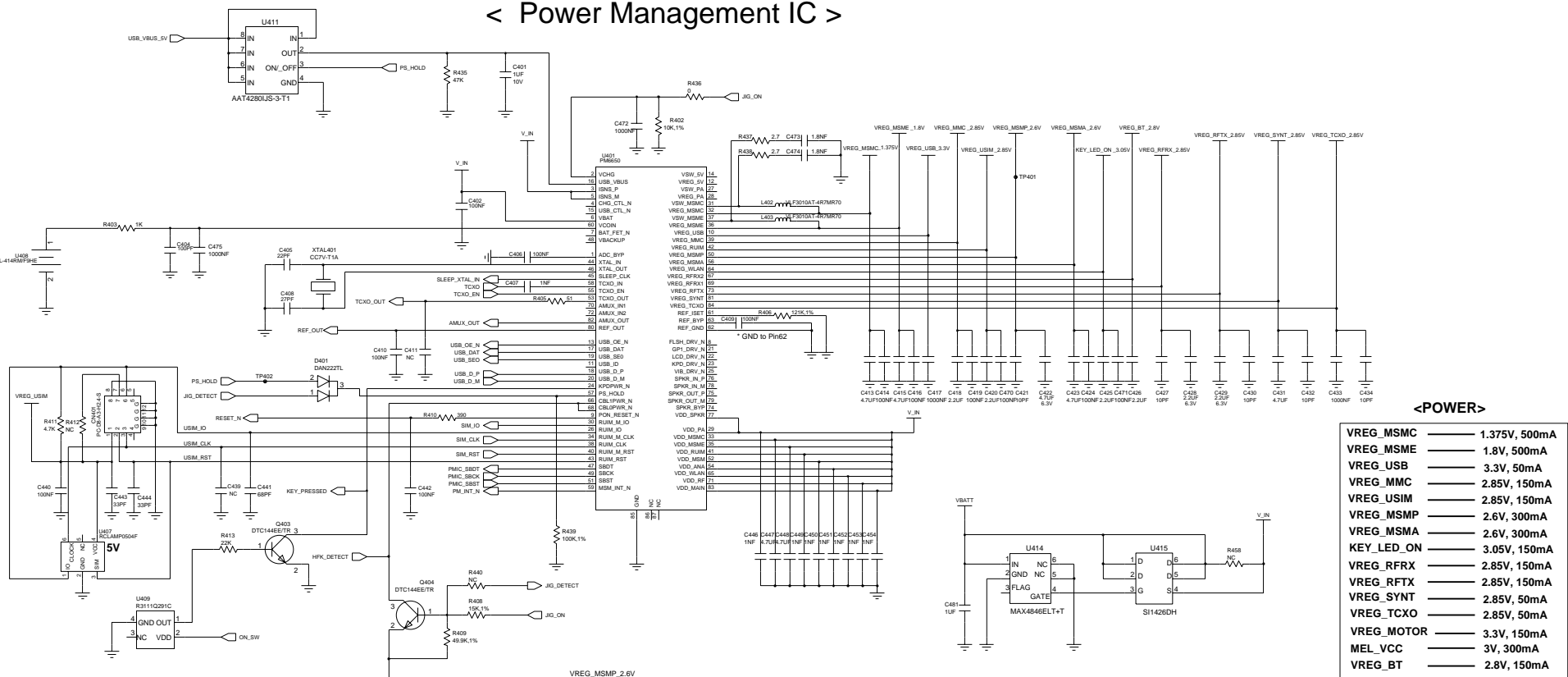


< MODEM >

< MEMORY >



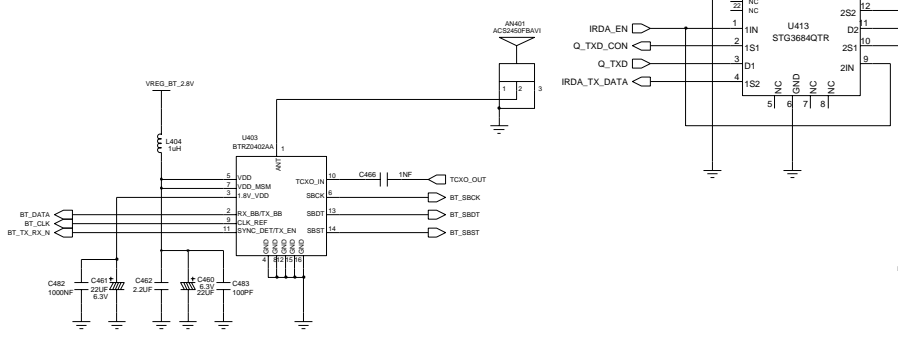
< Power Management IC >



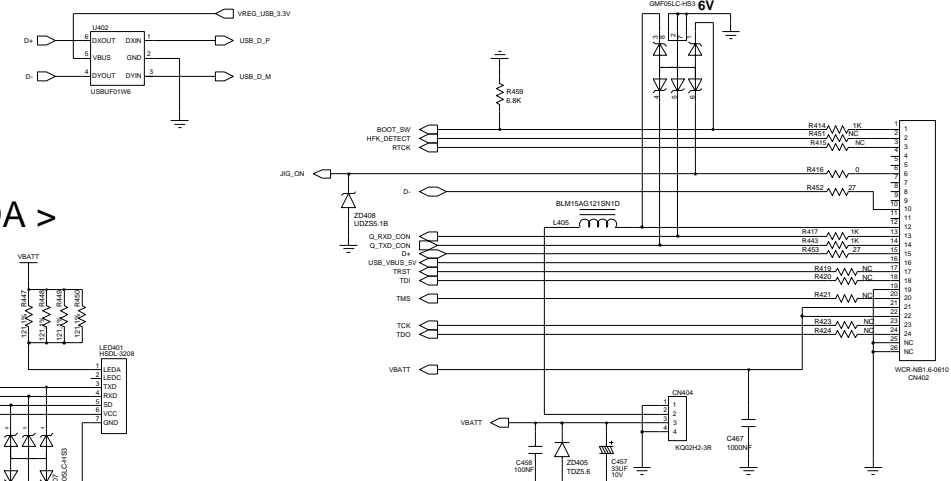
<POWER>

VREG_MSMC	1.375V, 500mA
VREG_MSME	1.8V, 500mA
VREG_USB	3.3V, 50mA
VREG_MMC	2.85V, 150mA
VREG_USM	2.85V, 150mA
VREG_MSMP	2.6V, 300mA
VREG_MSMA	2.6V, 300mA
KEY_LED_ON	3.05V, 150mA
VREG_RFRX	2.85V, 150mA
VREG_RFTX	2.85V, 150mA
VREG_SYNT	2.85V, 50mA
VREG_TCXO	2.85V, 50mA
VREG_MOTOR	3.3V, 150mA
MEL_VCC	3V, 300mA
VREG_BT	2.8V, 150mA

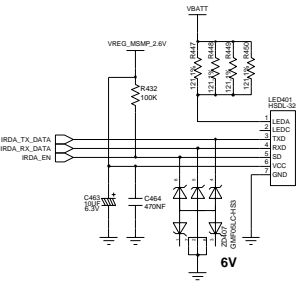
< BLUETOOTH >



< EMI Filter for USB >

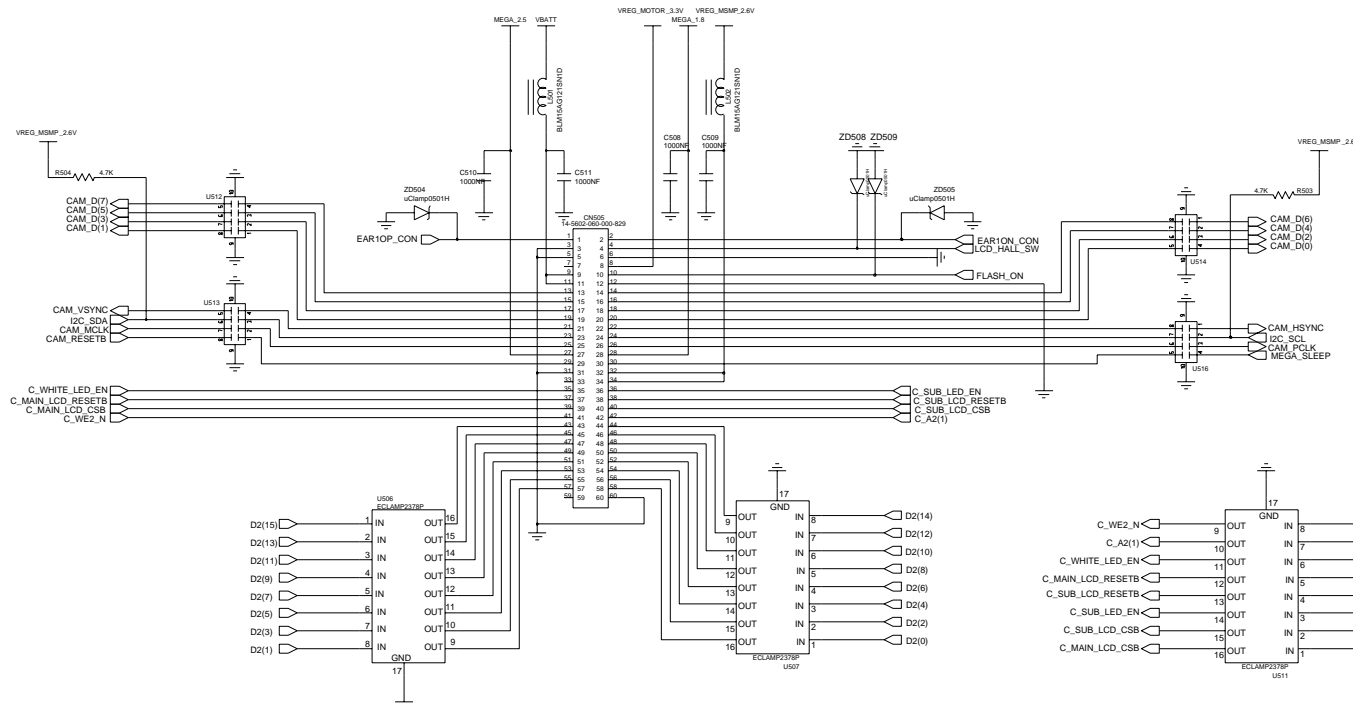


< IrDA >

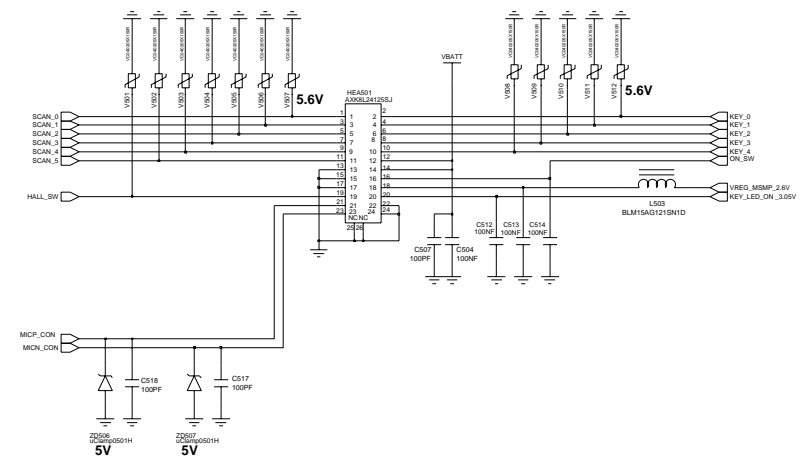
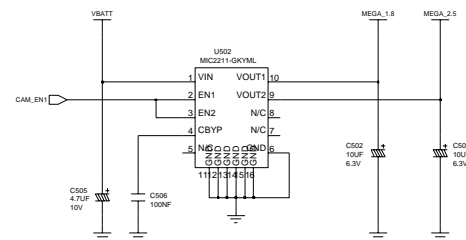
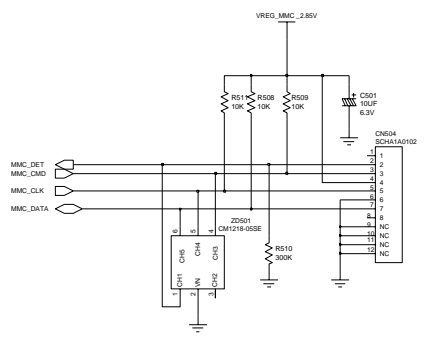


< IO Connector >

Tiba		
SGH-ZV30 MP0.902		
Size	Sheet Name	Rev
A3	POWER / BT / IO CON	0.1P
Date:	2005.2.11	Sheet
		4 of 6



<T_FLASH>



< AUDIO >

