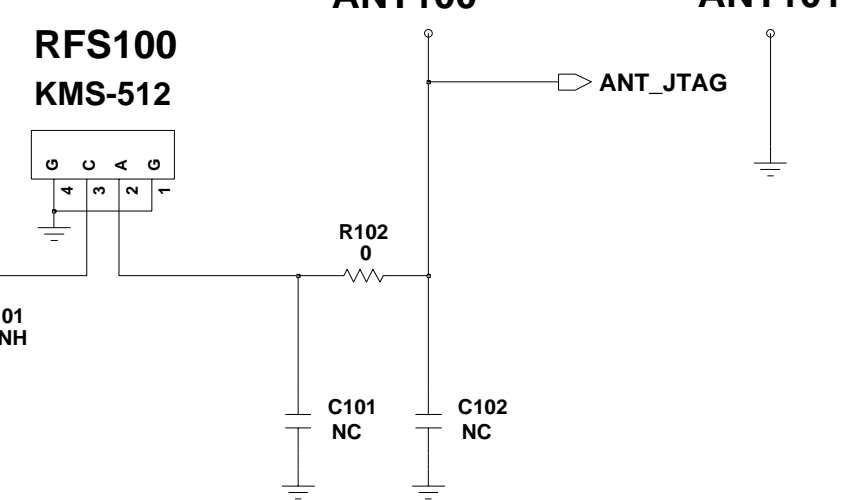
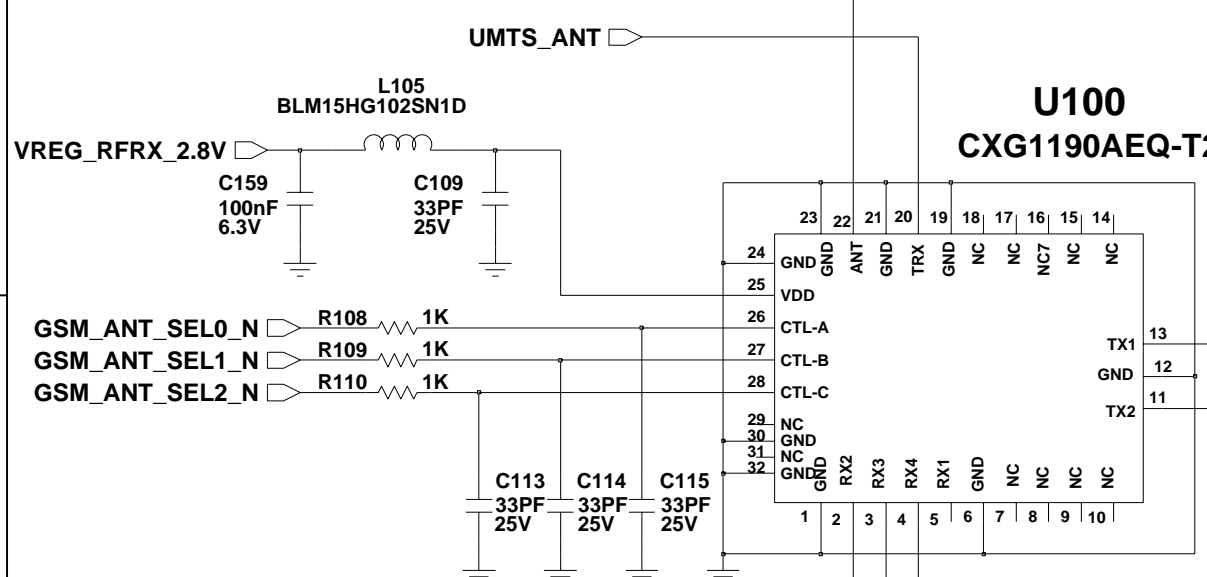


RF CONNECT

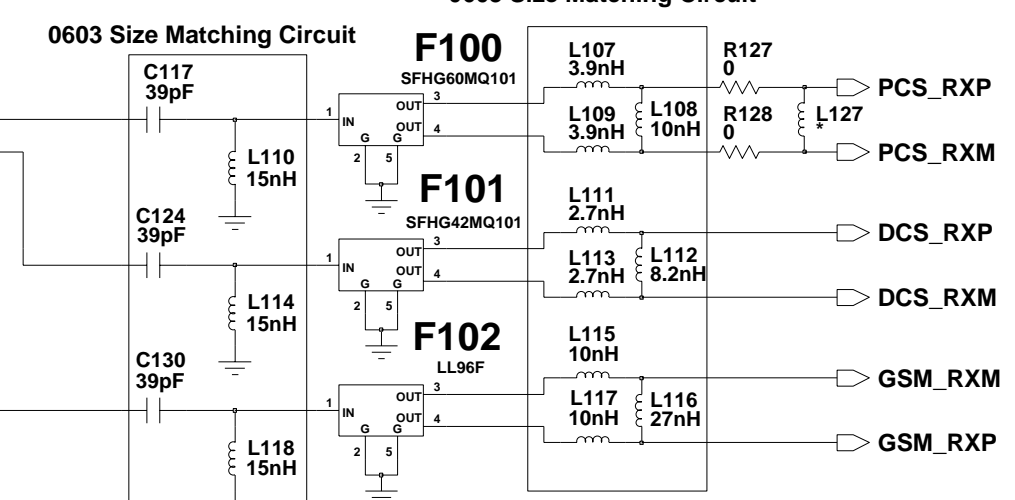
ANT100
 ANT101



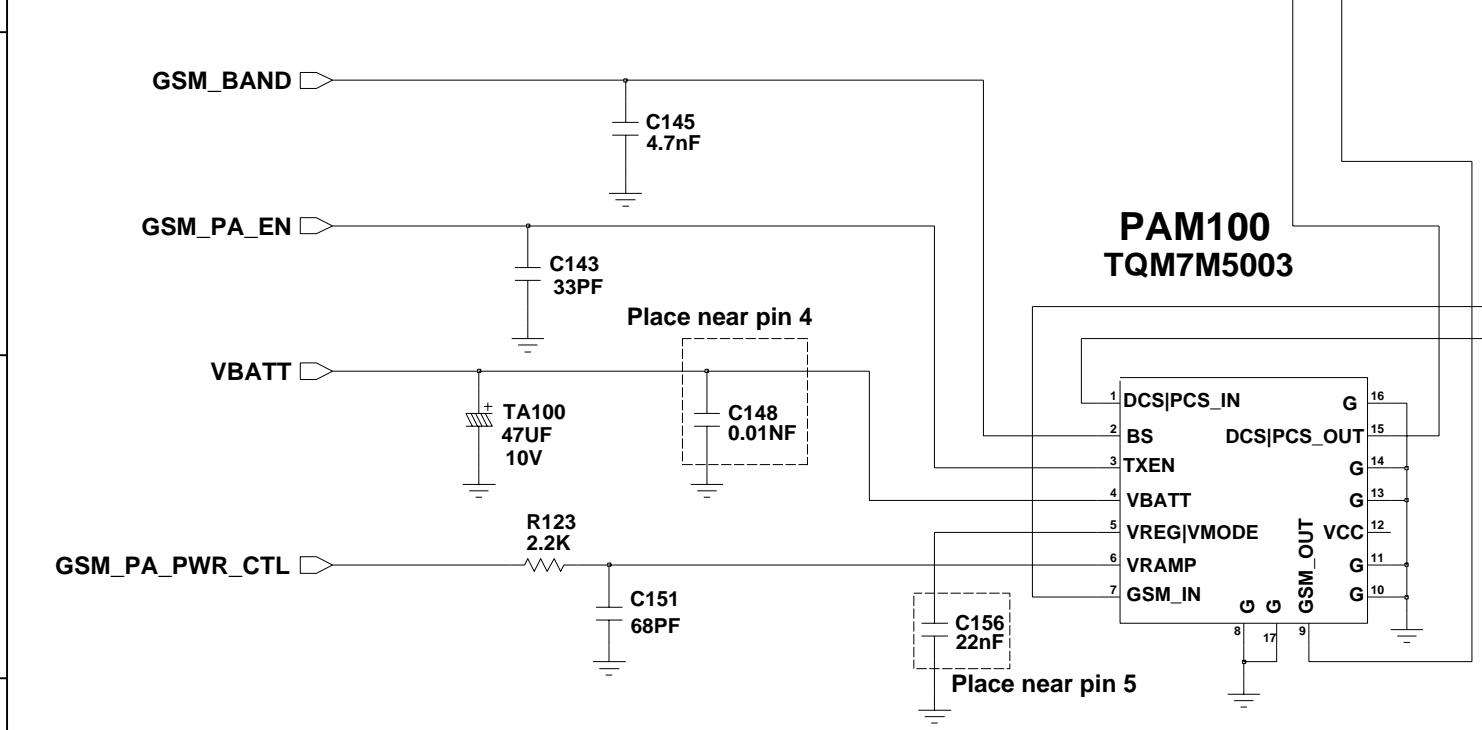
RF SWITCH



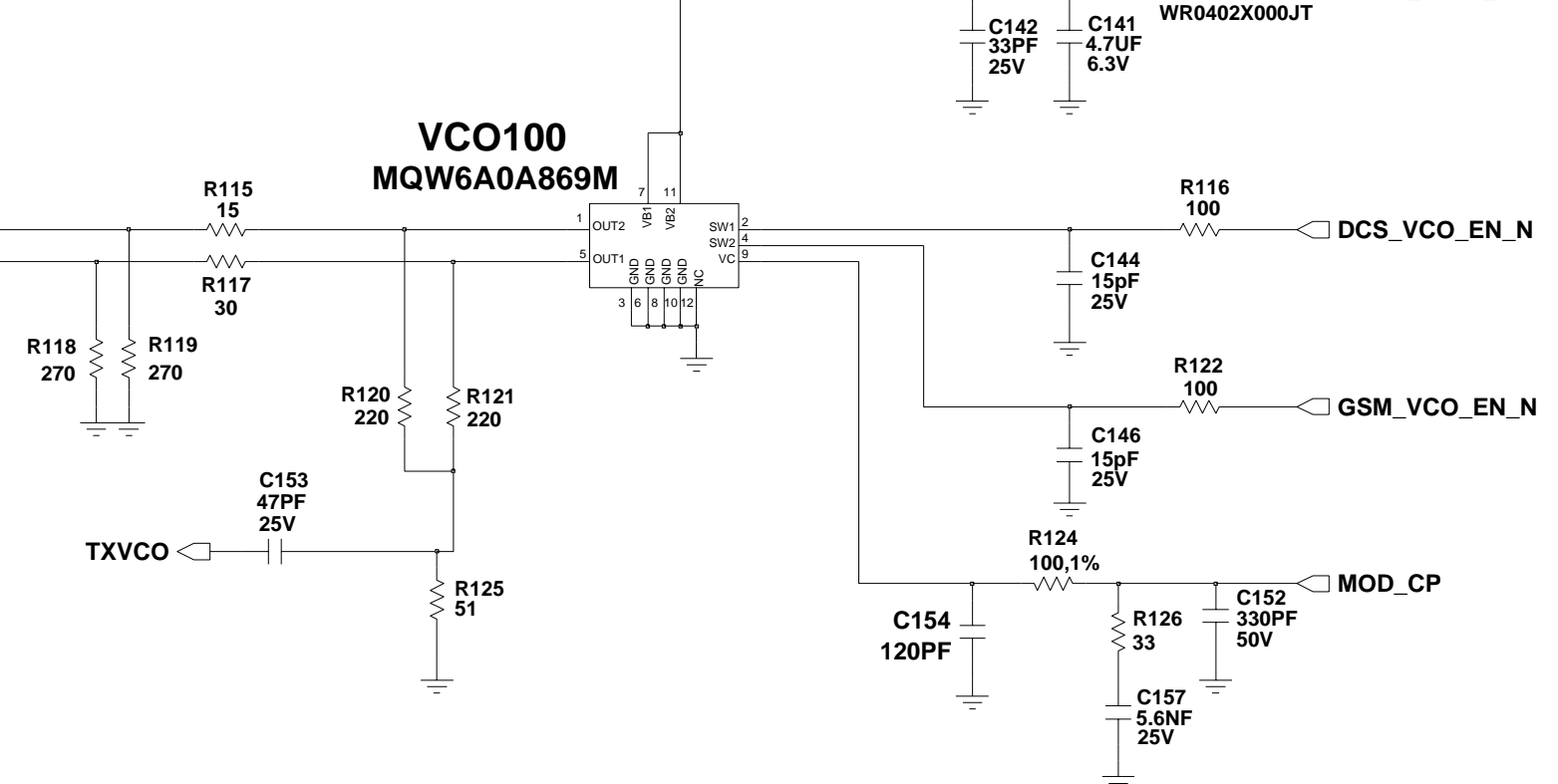
CXG1190AEQ				
MODE	GSM900 TX / RX	GSM1800 TX / RX	GSM1900 TX / RX	UMTS 2100 RX / TX
SELO	1/0	1/0	1/0	1
SEL1	1/0	0/1	0/1	0
SEL2	0/1	0/1	0/0	1



GSM PAM

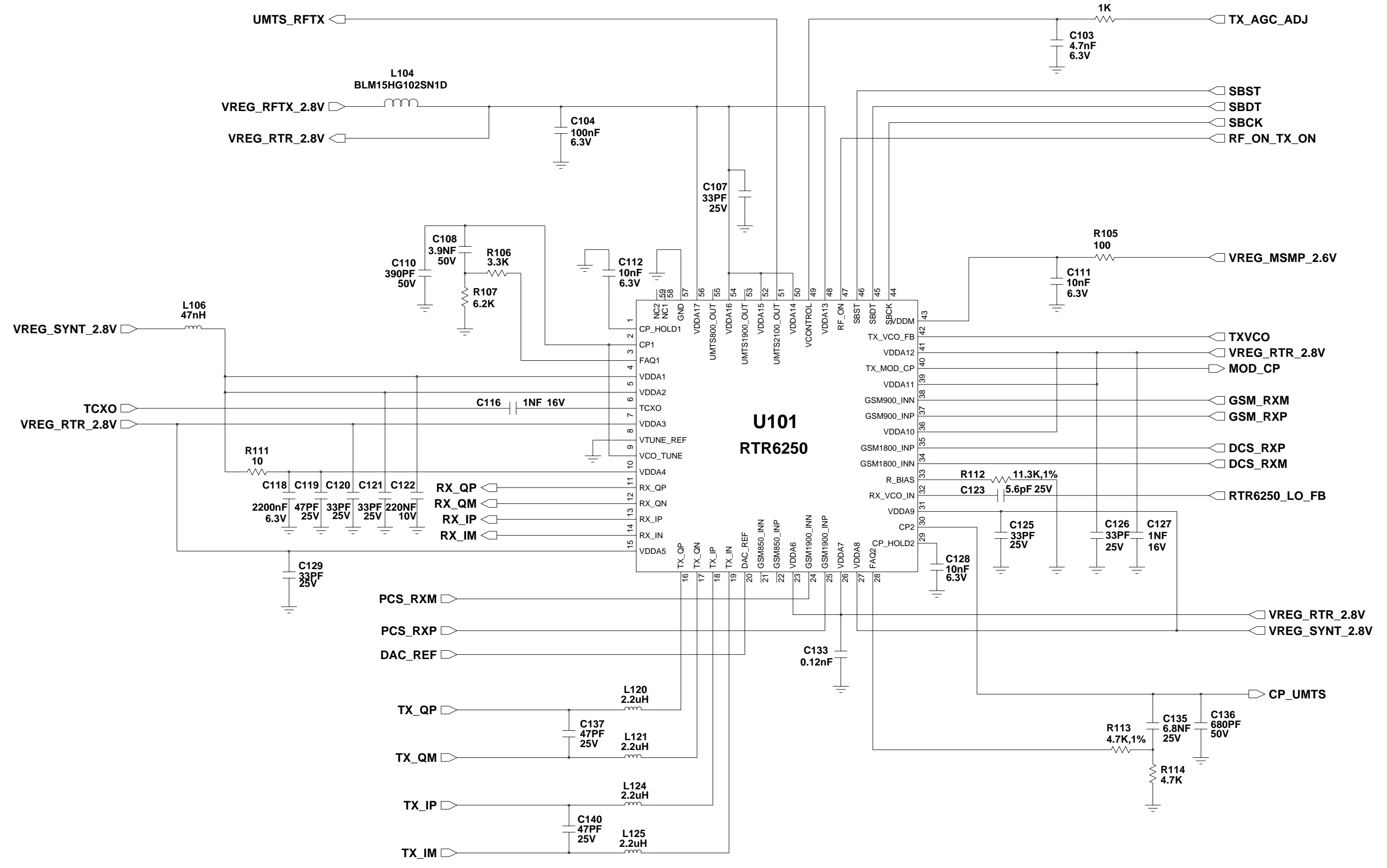


TX VCO

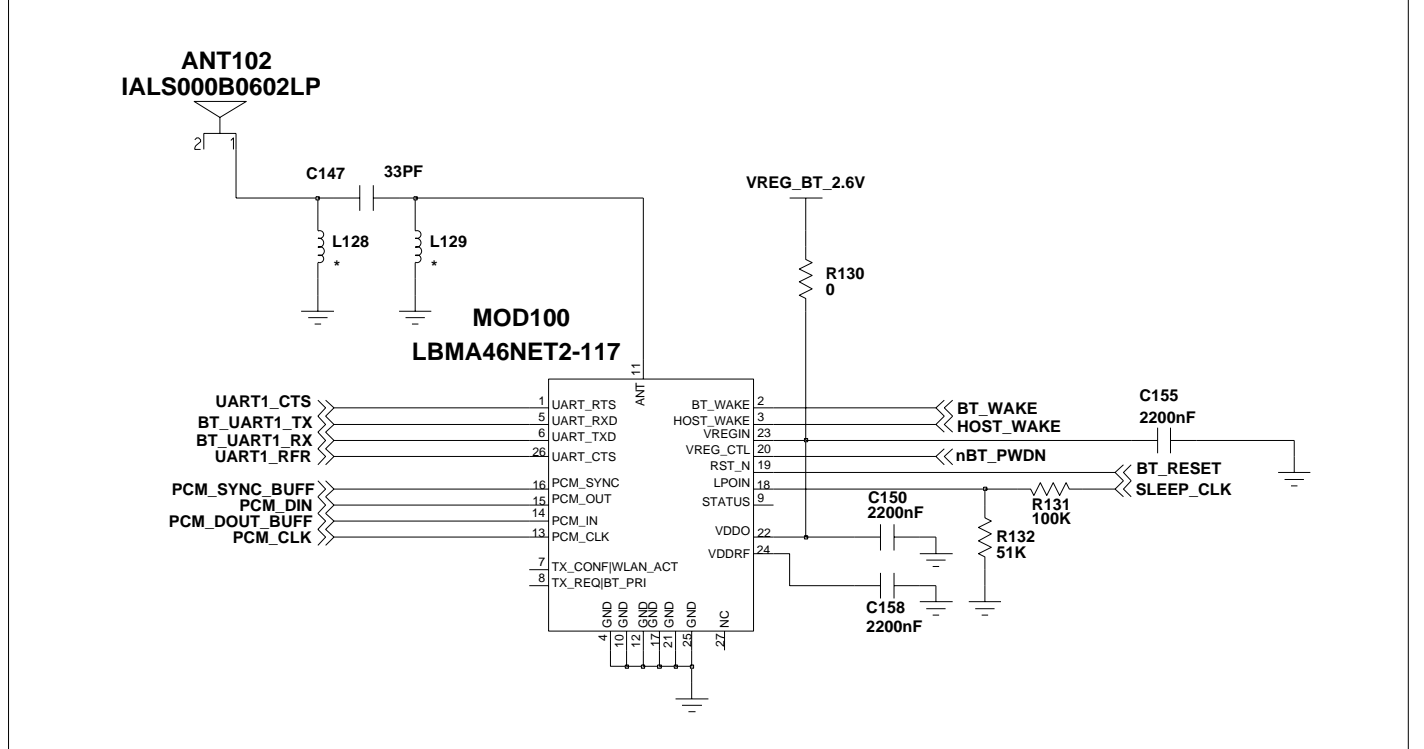


MQW6A0A869M		
MODE	GSM900	GSM1800/1900
GSM_VCO_EN_N	0	1
DCS_VCO_EN_N	1	0
OFF	1	1

U101 RTR6250



BLUETOOTH

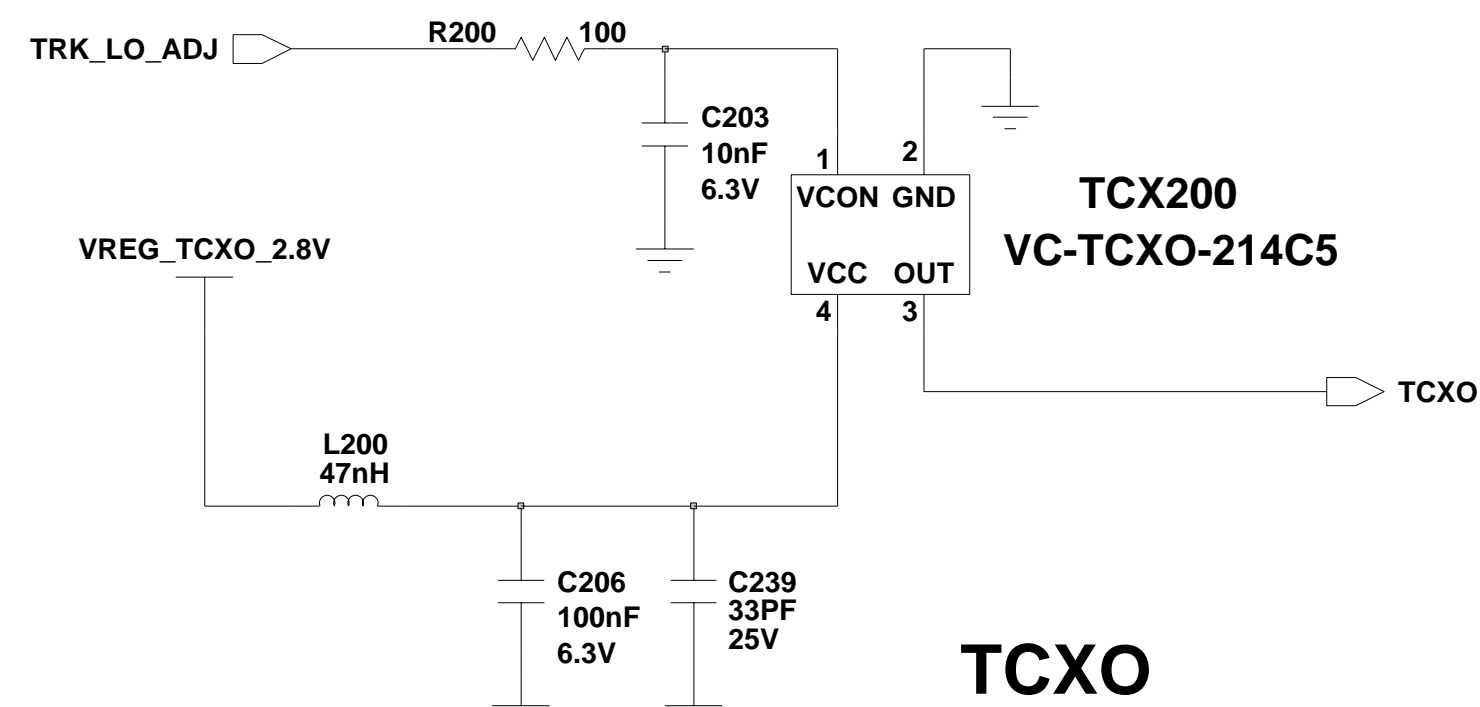
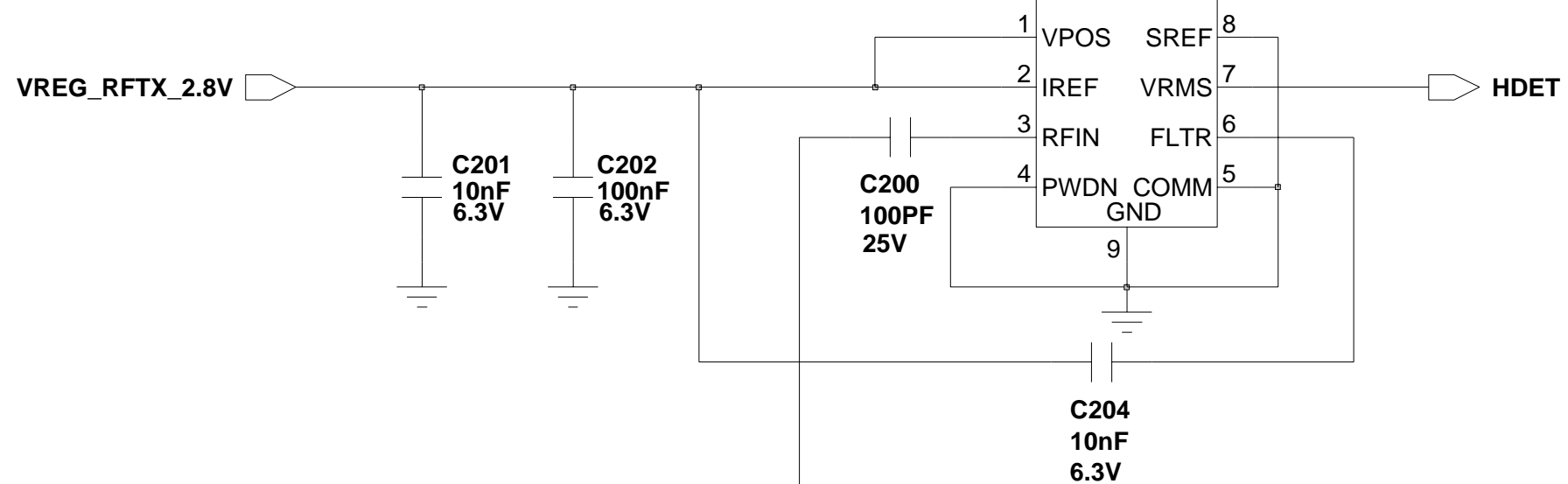


SAMSUNG PROPRIETARY

THIS DOCUMENT CONTAINS CONFIDENTIAL PROPRIETARY INFORMATION THAT IS SAMSUNG ELECTRONICS CO'S PROPERTY. DO NOT DISCLOSE TO OR DUPLICATE FOR OTHERS EXCEPT AS AUTHORIZED BY SAMSUNG.

UMTS HDET

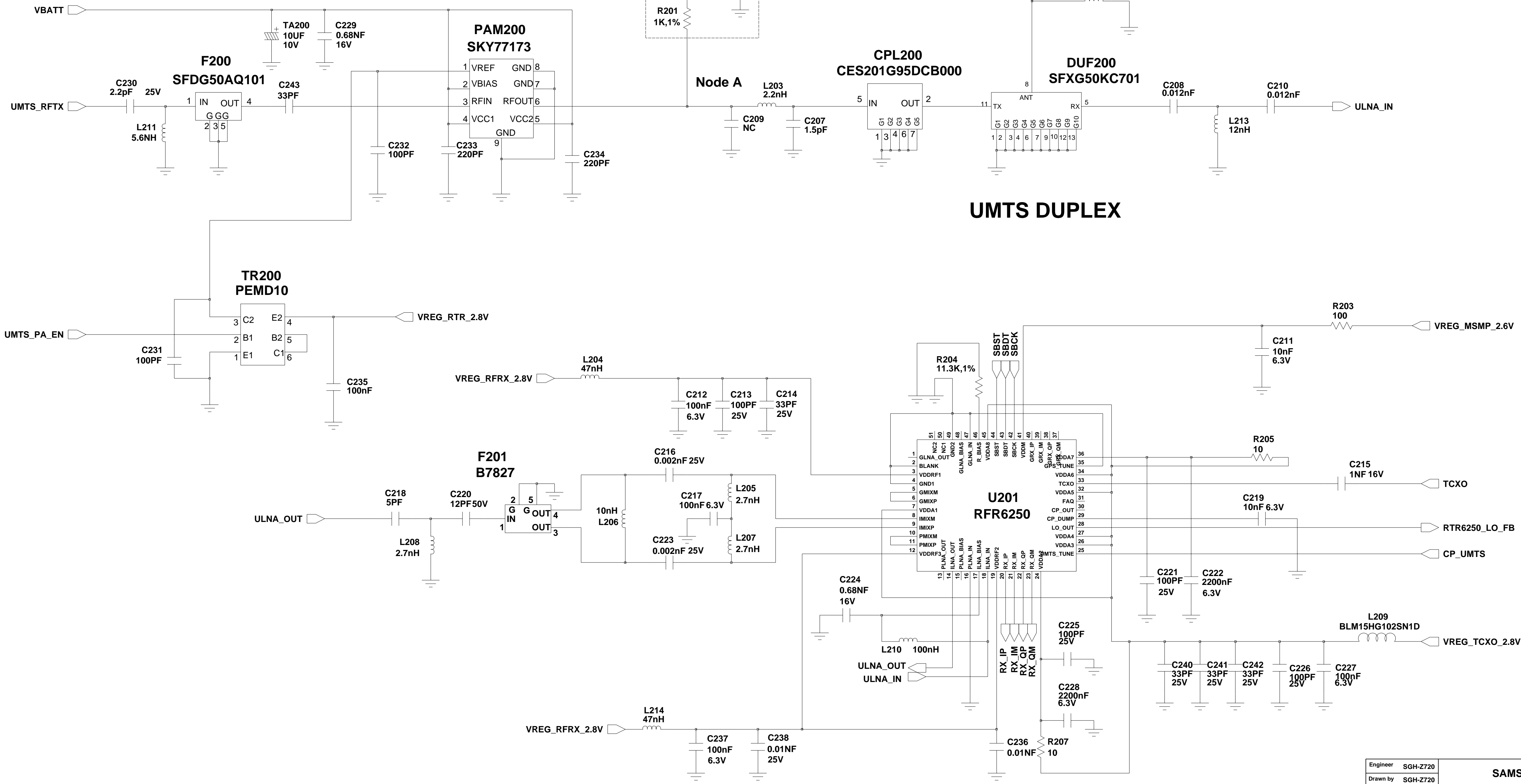
**U200
AD45030-REEL**



Place near node A

Node A

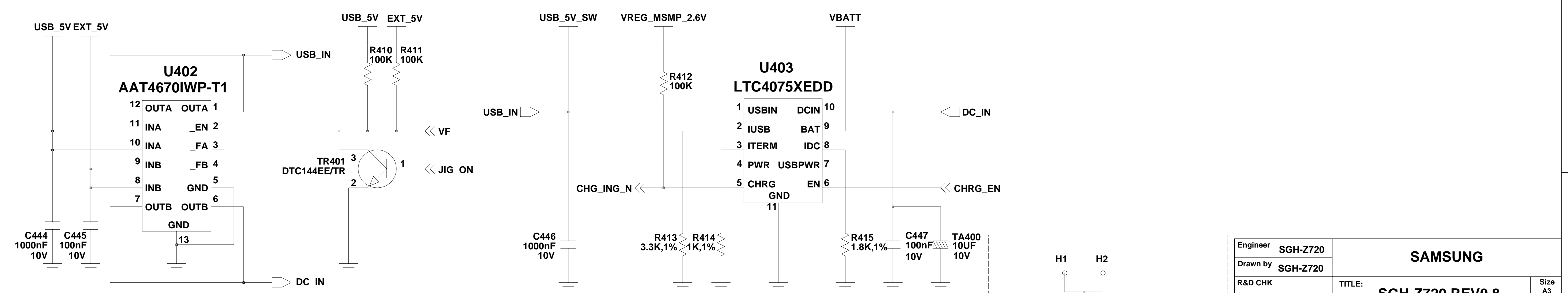
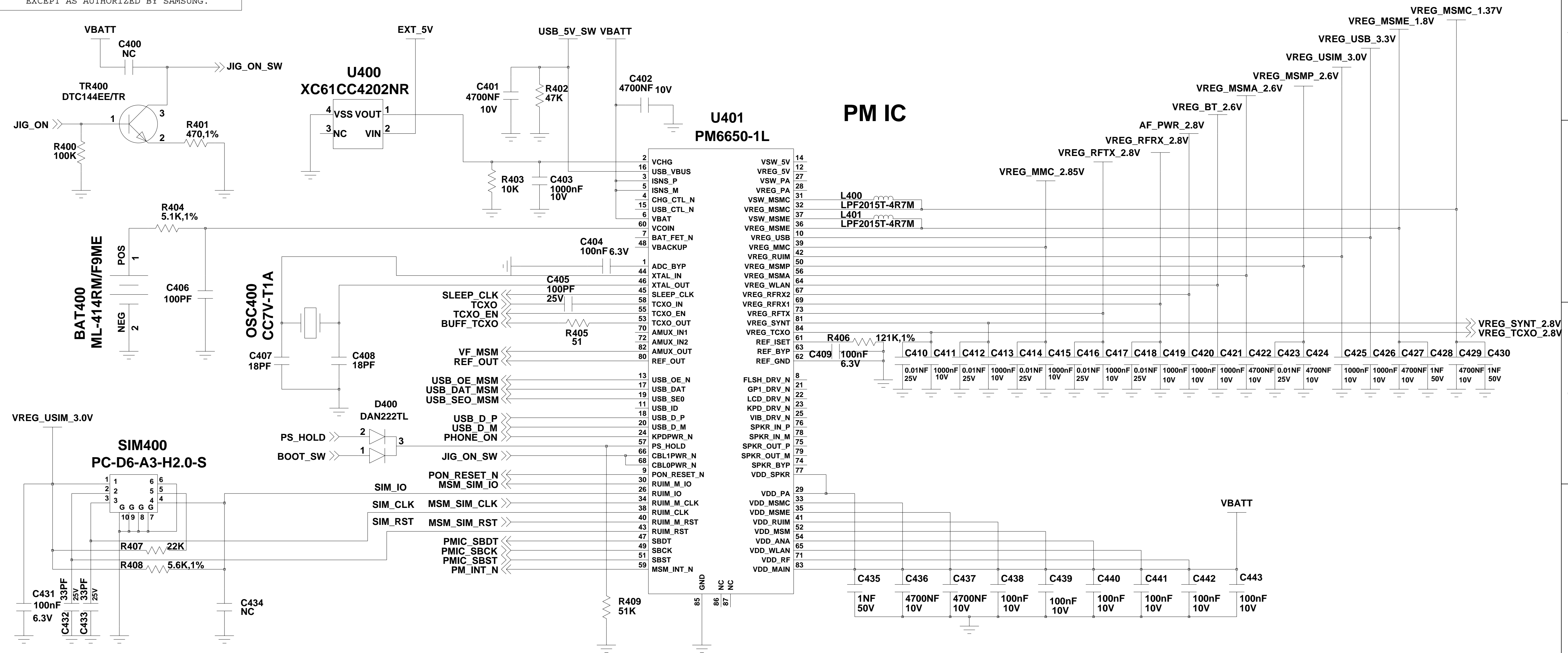
UMTS DUPLEX



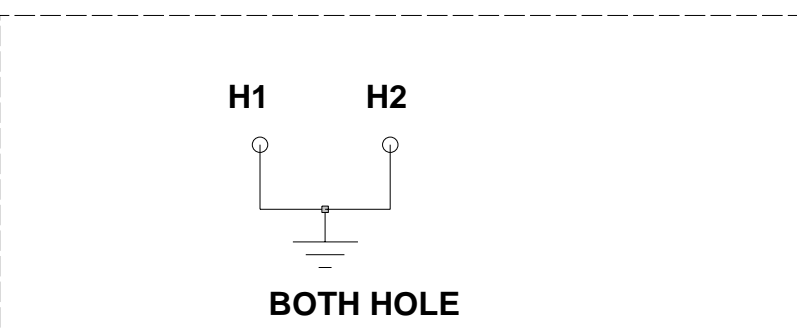
Engineer	SGH-Z720	SAMSUNG TITLE SGH-Z720 REV0.8 (RF - UMTS)	Size	A3
Drawn by	SGH-Z720		REV	1
R&D CHK			Drawing Number	
DOC CTRL CHK			Sheet	2 of 7
MFG ENGR CHK				

Changed by	Date Changed	2006.08.04	Time Changed	
------------	--------------	------------	--------------	--

SAMSUNG PROPRIETARY
 THIS DOCUMENT CONTAINS CONFIDENTIAL
 PROPRIETARY INFORMATION THAT IS
 SAMSUNG ELECTRONICS CO.'S PROPERTY.
 DO NOT DISCLOSE TO OR DUPLICATE FOR OTHERS
 EXCEPT AS AUTHORIZED BY SAMSUNG.



INNER CHARGER

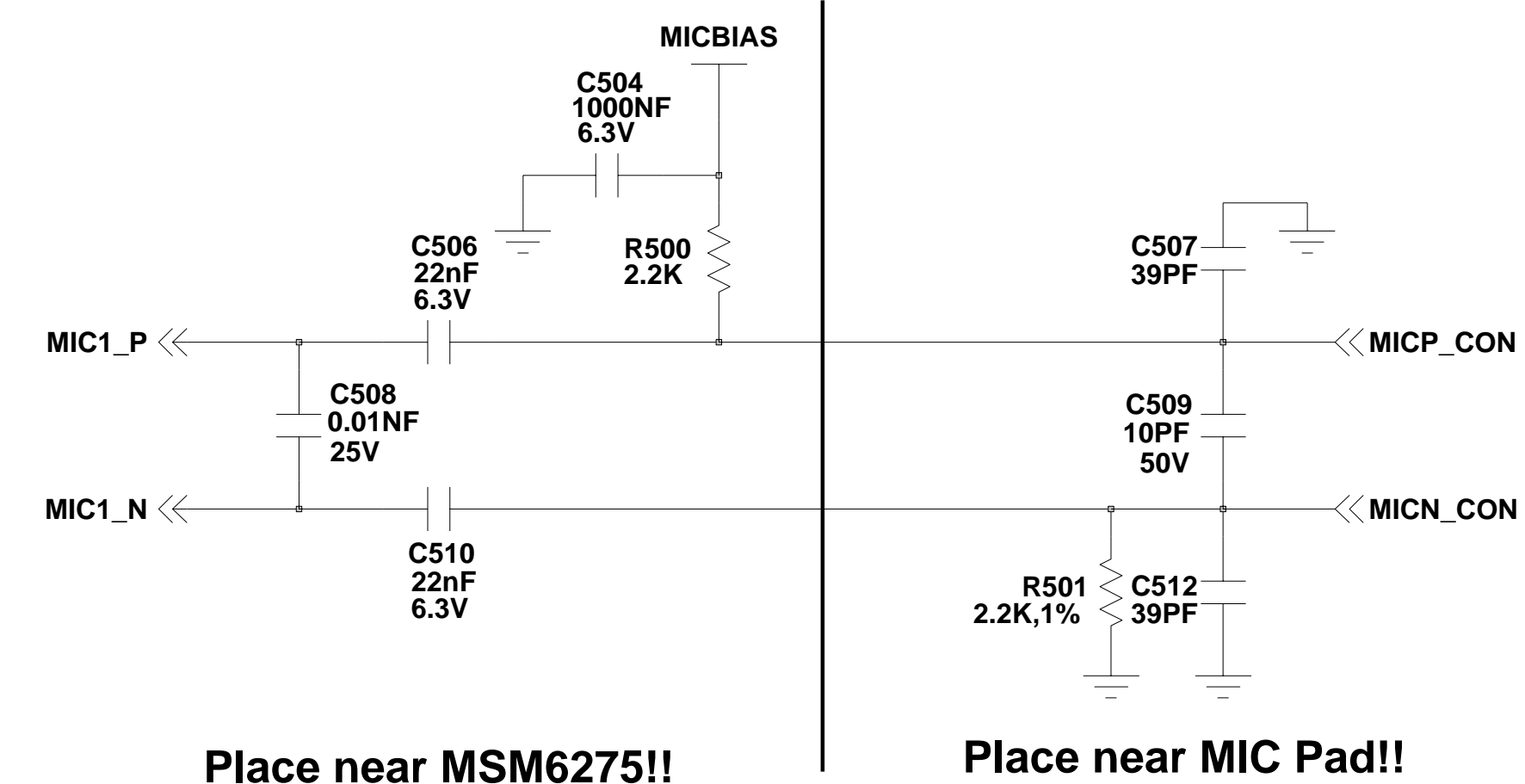
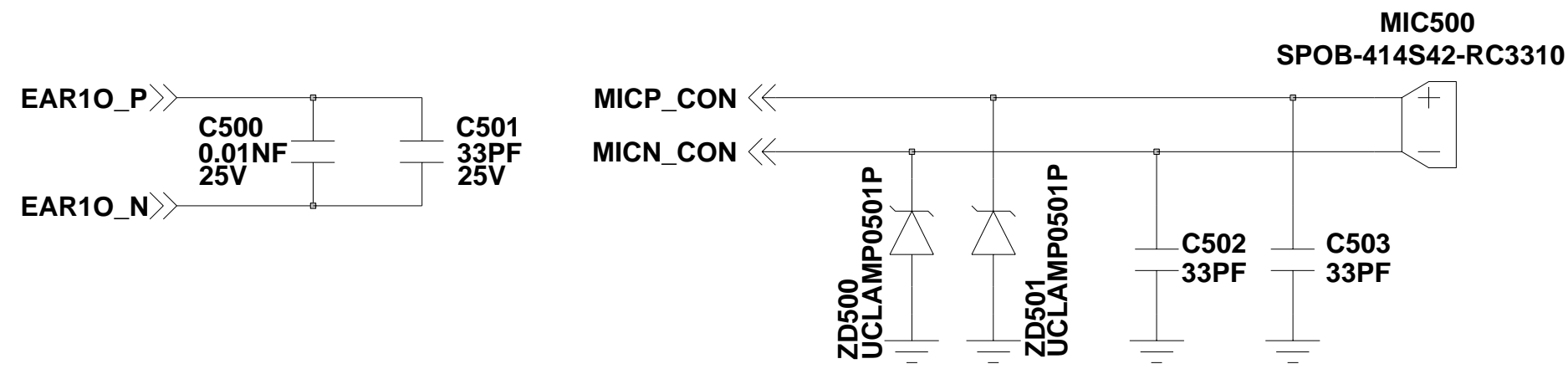


Engineer	SGH-Z720	SAMSUNG TITLE: SGH-Z720 REV0.8 (PM6650-1L)	Size	A3
Drawn by	SGH-Z720			
R&D CHK				
DOC CTRL CHK				
MFG ENGR CHK				

Changed by	Date Changed	2006. 08. 04	Time Changed	QA CHK	REV	Drawing Number	Sheet	4 of 7
------------	--------------	--------------	--------------	--------	-----	----------------	-------	--------

SAMSUNG PROPRIETARY
 THIS DOCUMENT CONTAINS CONFIDENTIAL
 PROPRIETARY INFORMATION THAT IS
 SAMSUNG ELECTRONICS CO.'S PROPERTY.
 DO NOT DISCLOSE TO OR DUPLICATE FOR OTHERS
 EXCEPT AS AUTHORIZED BY SAMSUNG.

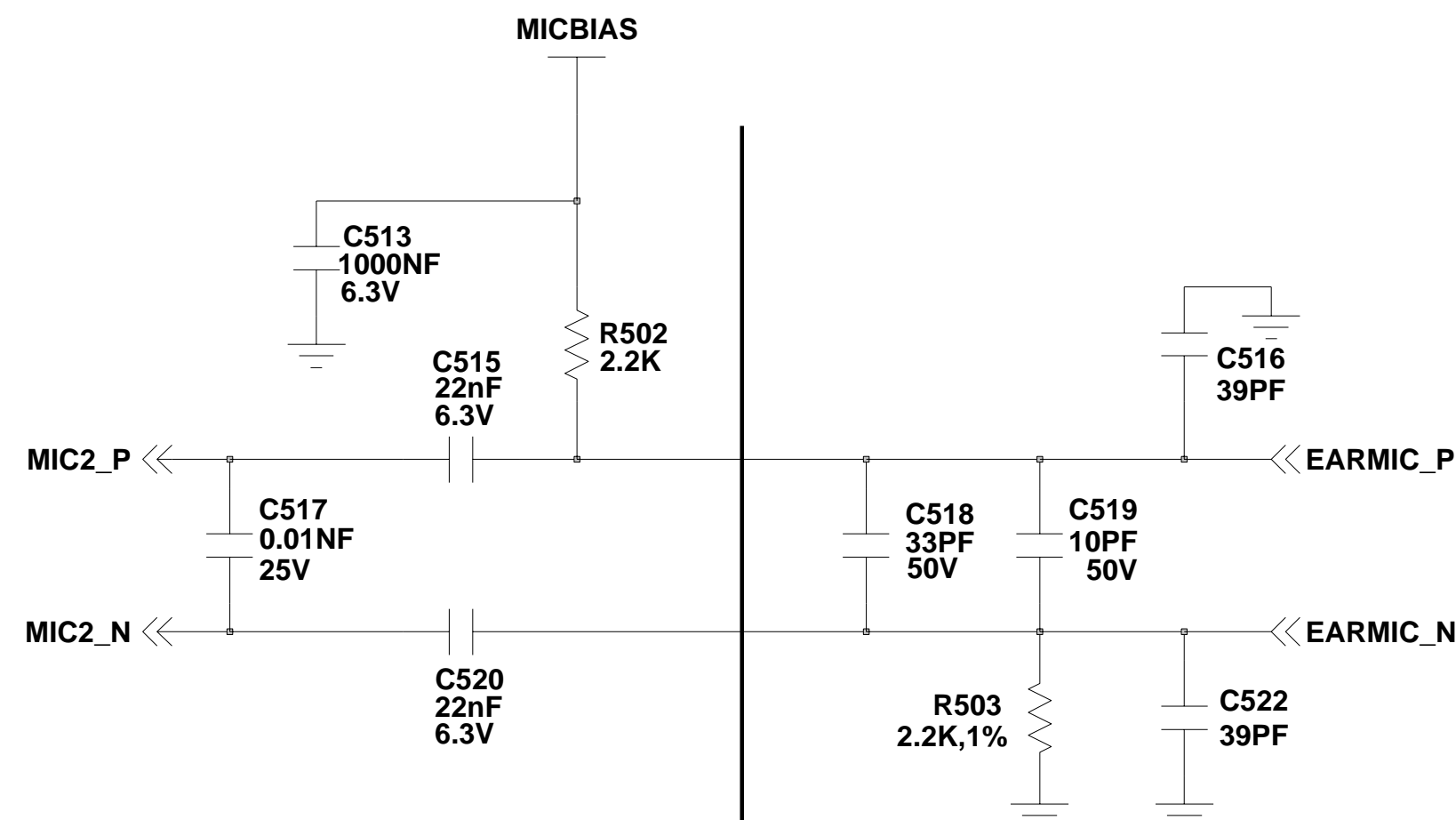
NORMAL PATH



Place near MSM6275!!

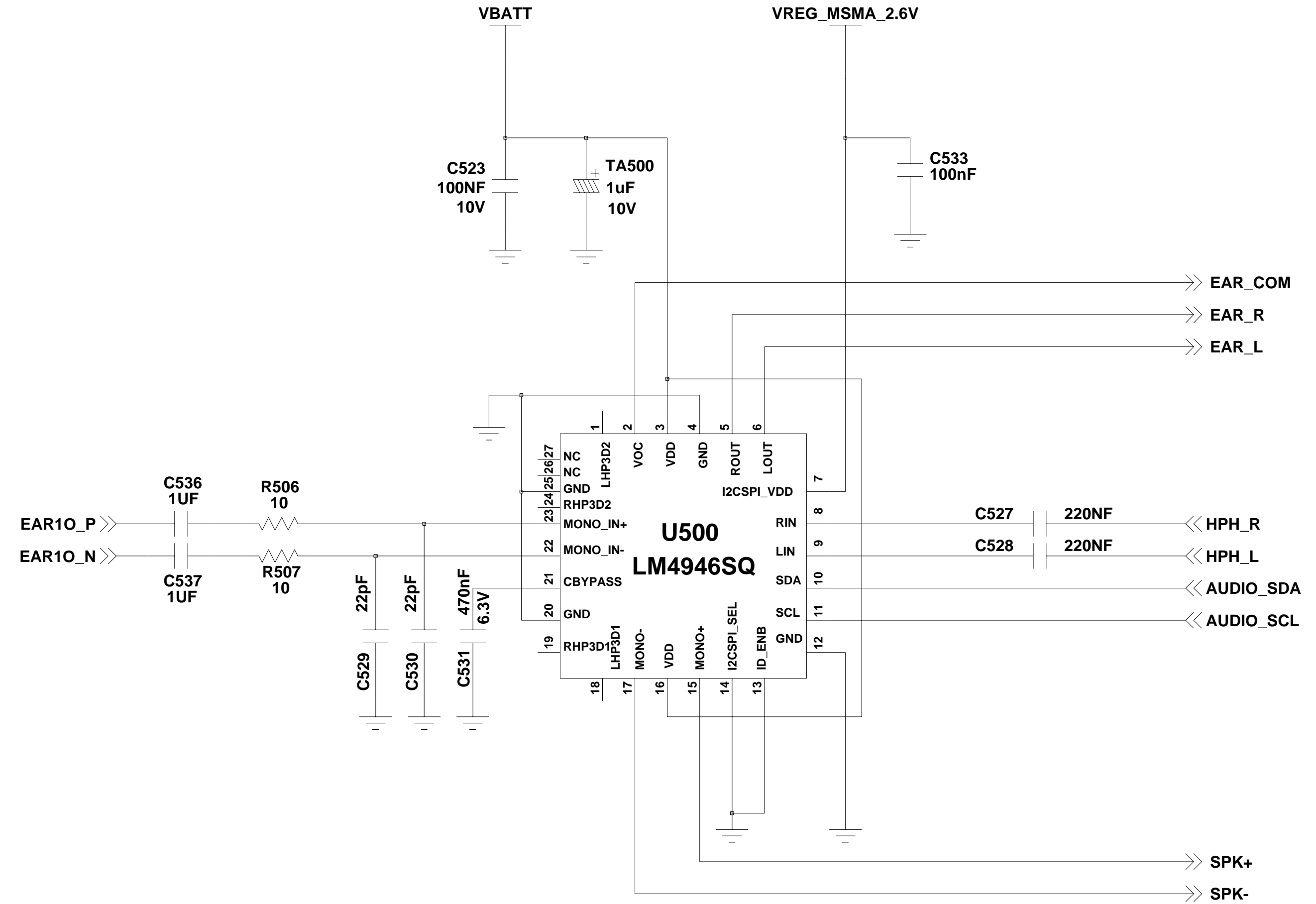
Place near MIC Pad!!

EARPHONE PATH



Place near MSM6275!!

Place near IF connector!!



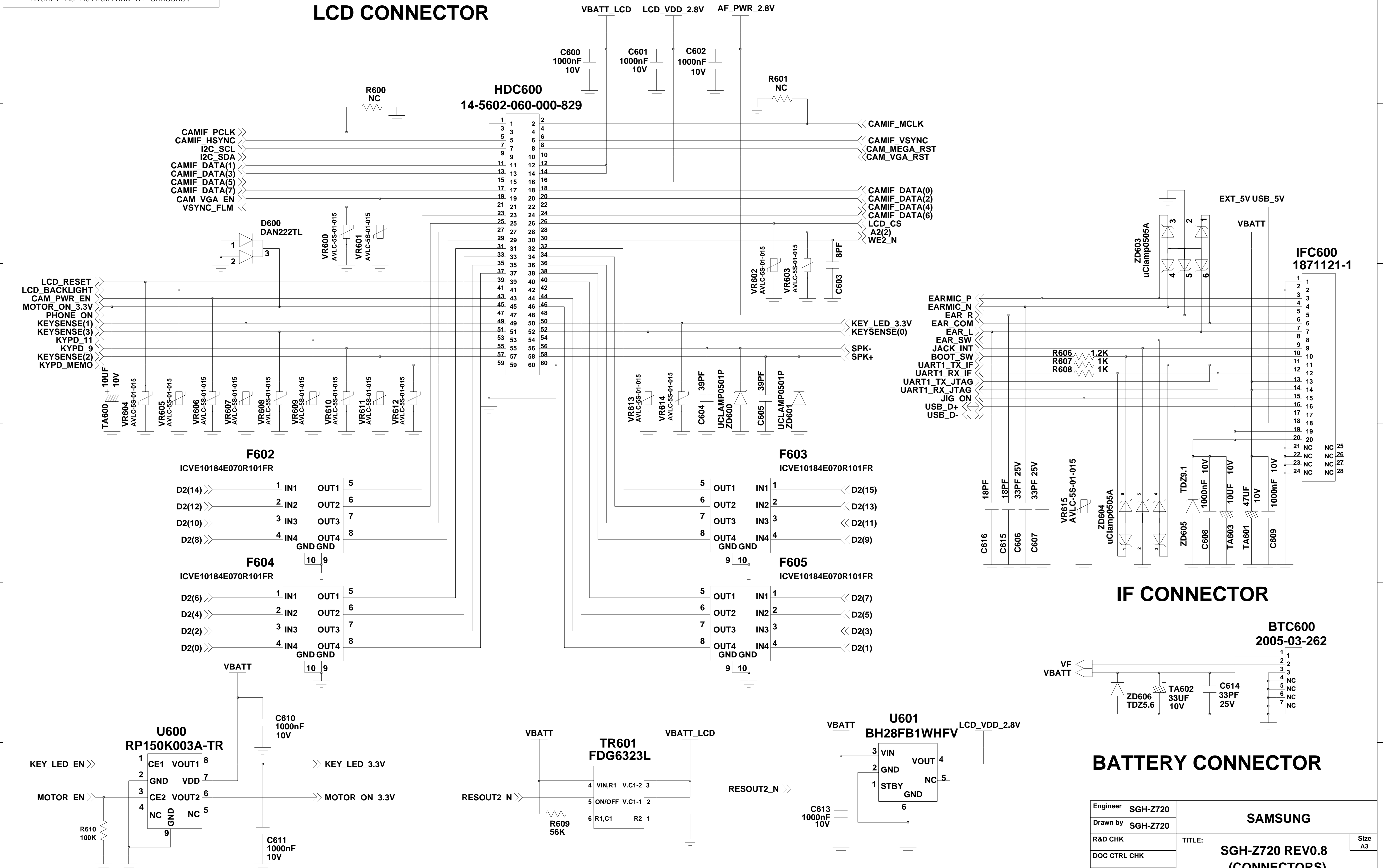
AUDIO AMP / SWITCH

Engineer	SGH-Z720	SAMSUNG	
Drawn by	SGH-Z720		
R&D CHK		TITLE: SGH-Z720 REV0.8 (AUDIO Part)	Size A3
DOC CTRL CHK			
MFG ENGR CHK			

Changed by	Date Changed	2006. 08. 04	Time Changed	QA CHK	REV	Drawing Number	Sheet	5 of 7
------------	--------------	--------------	--------------	--------	-----	----------------	-------	--------

SAMSUNG PROPRIETARY
 THIS DOCUMENT CONTAINS CONFIDENTIAL
 PROPRIETARY INFORMATION THAT IS
 SAMSUNG ELECTRONICS CO.'S PROPERTY.
 DO NOT DISCLOSE TO OR DUPLICATE FOR OTHERS
 EXCEPT AS AUTHORIZED BY SAMSUNG.

LCD CONNECTOR



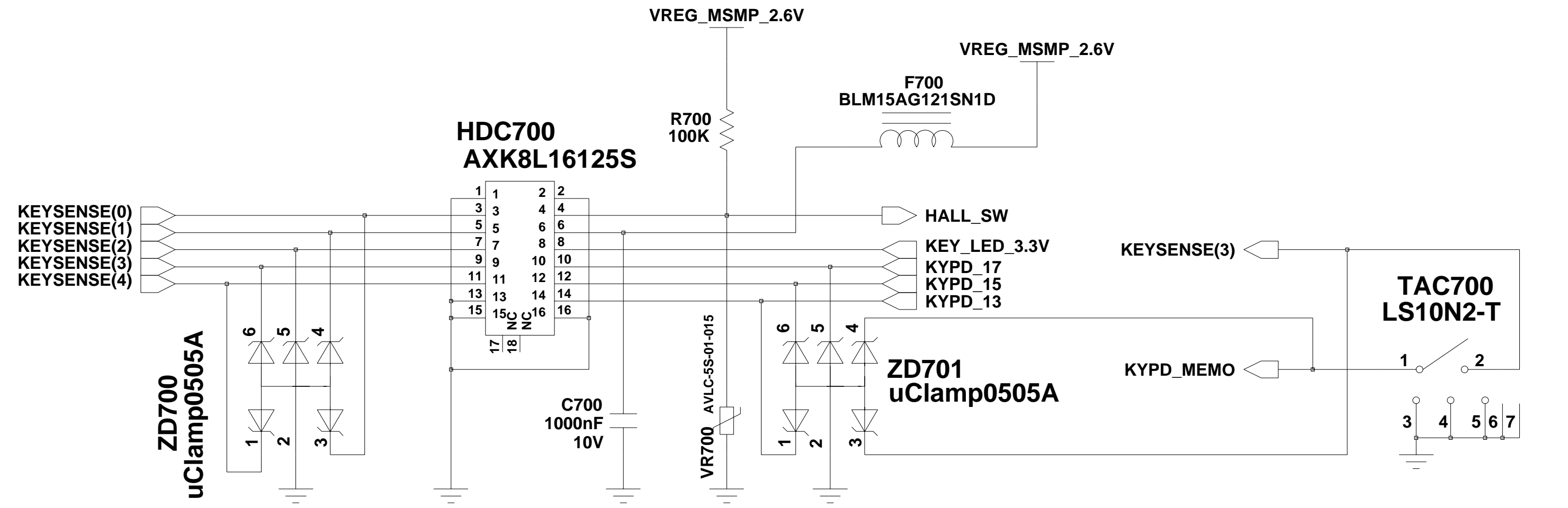
IF CONNECTOR

BATTERY CONNECTOR

Engineer	SGH-Z720	SAMSUNG	
Drawn by	SGH-Z720		
R&D CHK		TITLE:	SGH-Z720 REV0.8 (CONNECTORS)
DOC CTRL CHK		REV	Size A3
MFG ENGR CHK		REV	Sheet 6 of 7

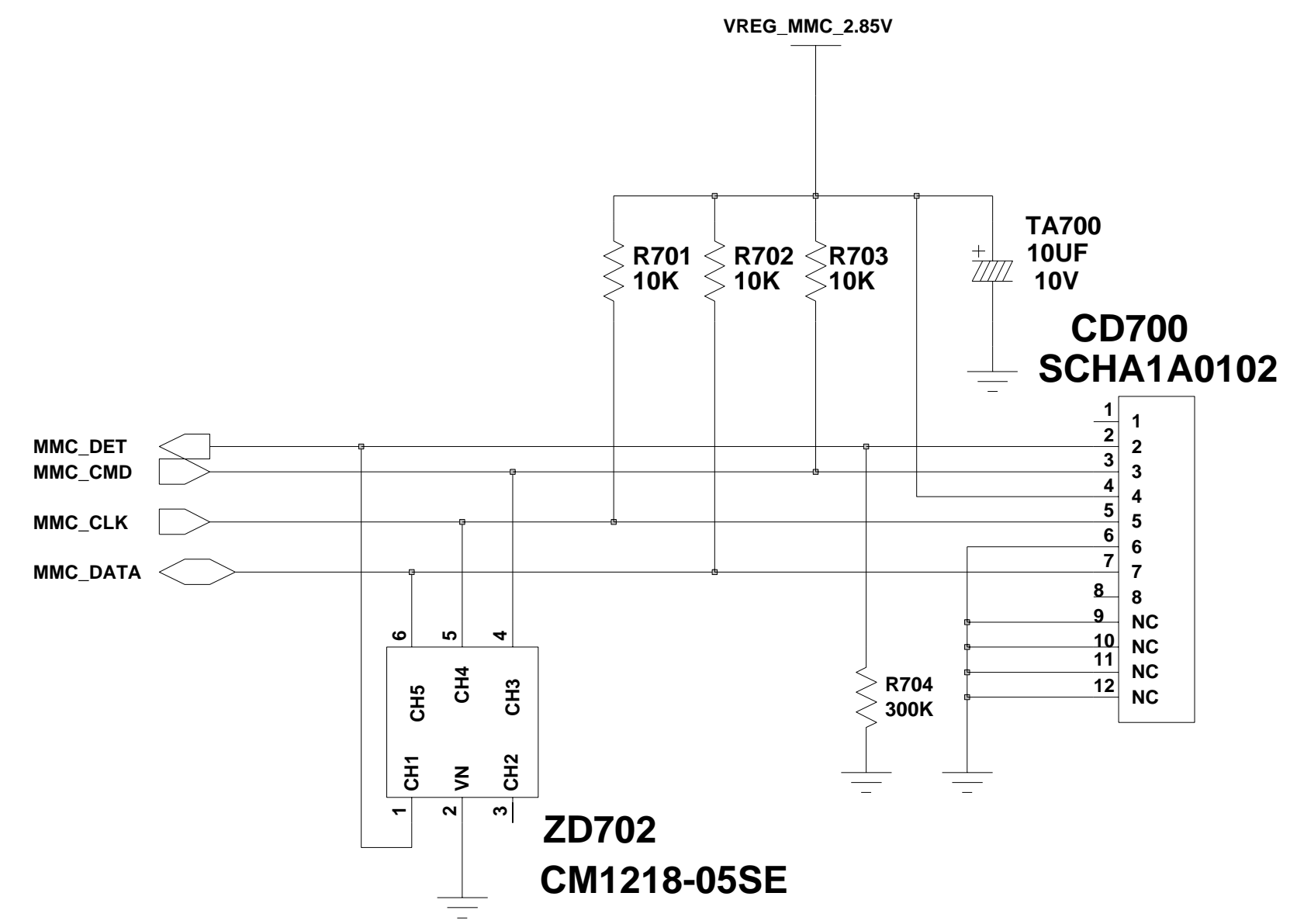
Changed by	Date Changed	2006. 08. 04	Time Changed	QA CHK	REV	Drawing Number	Sheet	6 of 7
------------	--------------	--------------	--------------	--------	-----	----------------	-------	--------

SAMSUNG PROPRIETARY
 THIS DOCUMENT CONTAINS CONFIDENTIAL
 PROPRIETARY INFORMATION THAT IS
 SAMSUNG ELECTRONICS CO.'S PROPERTY.
 DO NOT DISCLOSE TO OR DUPLICATE FOR OTHERS
 EXCEPT AS AUTHORIZED BY SAMSUNG.

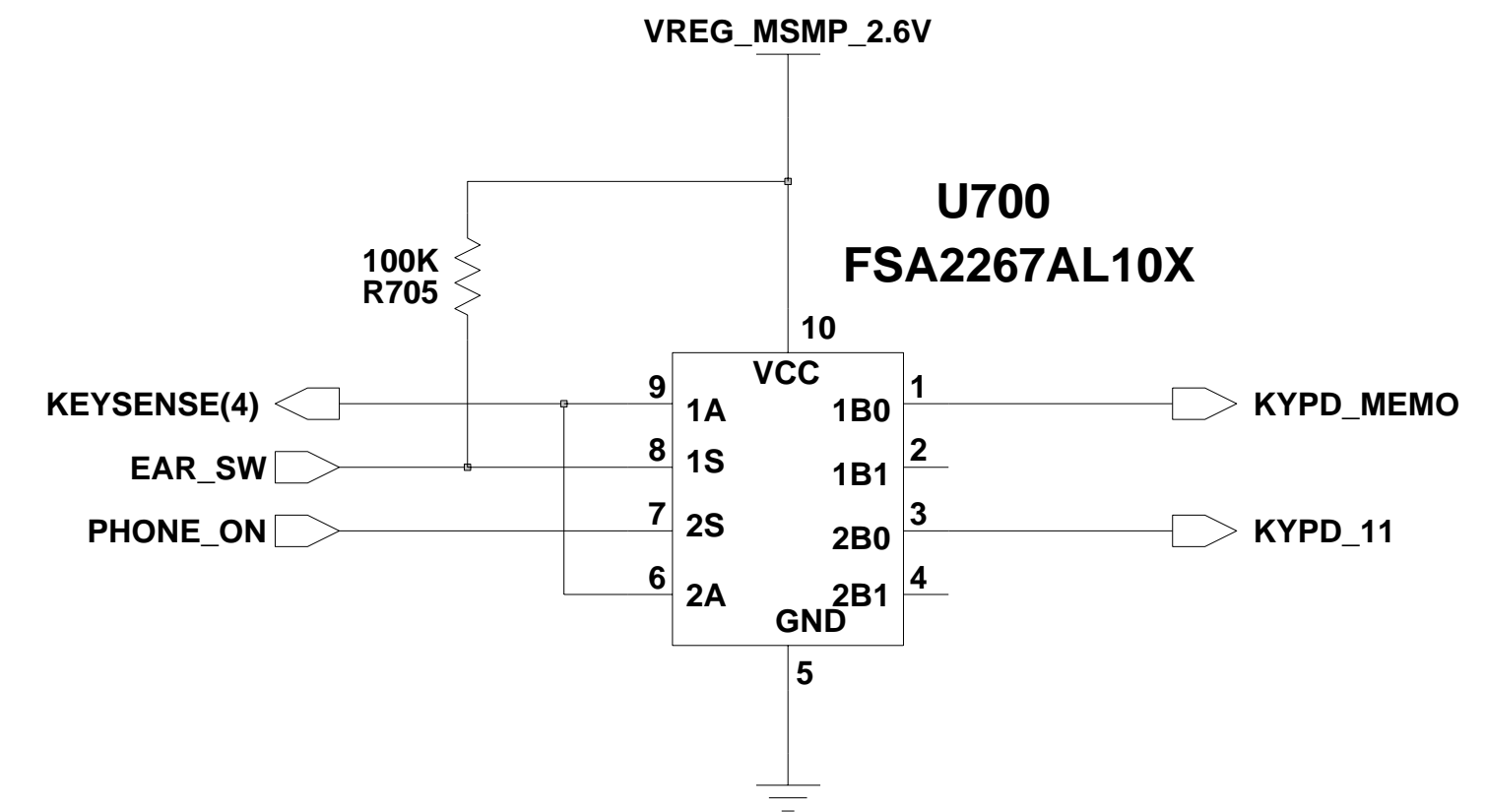


KEY CONNECTOR

CAMERA_SWITCH



MICRO-SD



Engineer	SGH-Z720	SAMSUNG	
Drawn by	SGH-Z720		
R&D CHK		TITLE: SGH-Z720 REV0.8 (MICRO-SD, KEY)	Size A3
DOC CTRL CHK			
MFG ENGR CHK			

Changed by	Date Changed	2006. 08. 04	Time Changed	QA CHK	REV	Drawing Number	Sheet	7 of 7
------------	--------------	--------------	--------------	--------	-----	----------------	-------	--------

