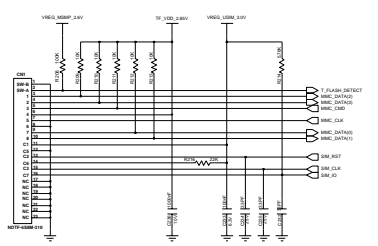
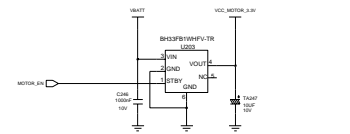


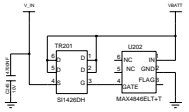
Power Management IC



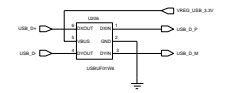
T-flash / USIM Socket



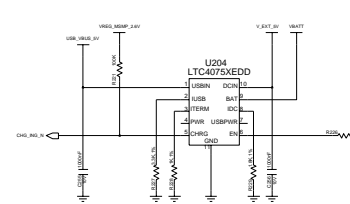
MOTOR LDO



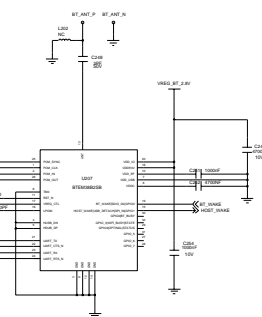
PMIC Protect Logic



USB High SPEED Filter

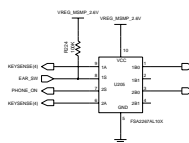


Charging Logic

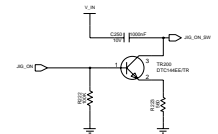


Bluetooth Module

STATUS	
L	nB0 connected to nA
H	nB1 connected to nA



END KEY & EAR SW

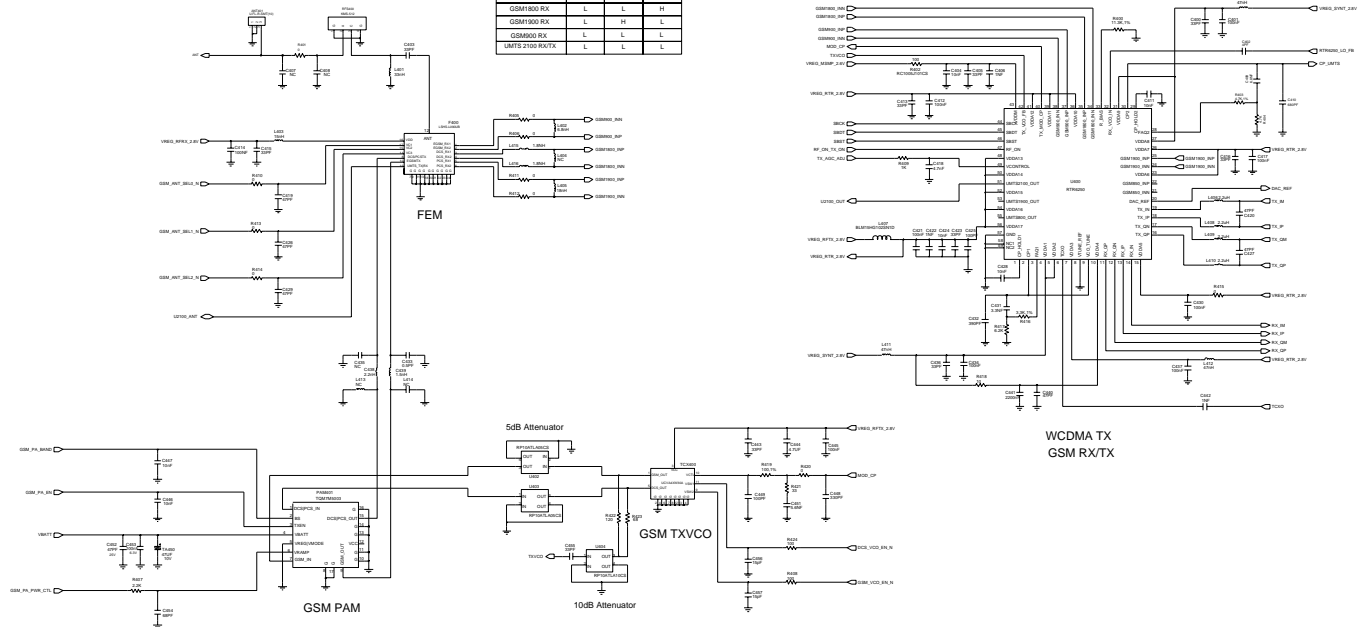


JIG Detect Logic

POWER	SAMSUNG	
Drawn by	YJL	DATE
Check by		
Rev. No.	1	
REV. DESCRIPTION	SGH-Z560(NTIM0) REV1.1	
APPROVED BY		
DATE	2007.03.08	Sheet 2 of 4

< GSM >

	MODE		
	VC1	VC2	VC3
GSM900 TX	H	L	L
GSM1800/1900 TX	L	H	H
GSM1800 RX	L	L	H
GSM1900 RX	L	H	L
GSM900 RX	L	L	L
GPRS 2150 RX/TX	L	L	L

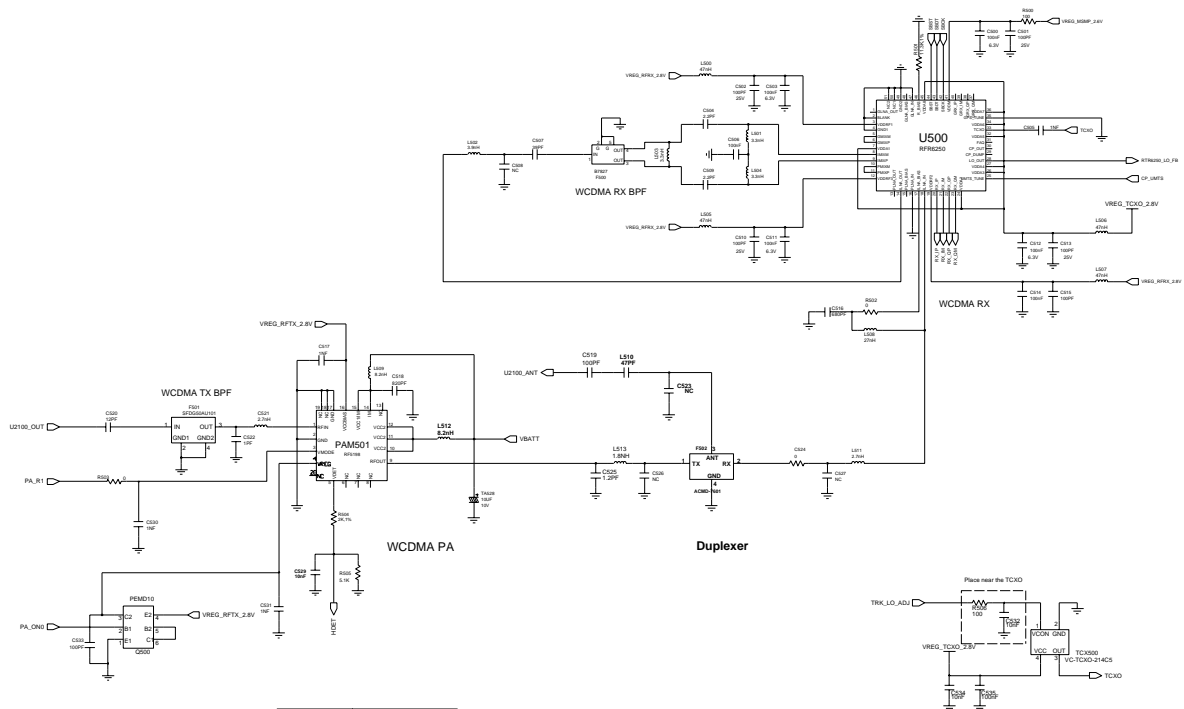


GSM_PA_EN	PA
H	ON
L	OFF

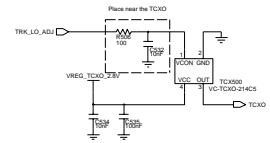
GSM_PA_BAND	MODE
L	GSM900
H	GSM1800

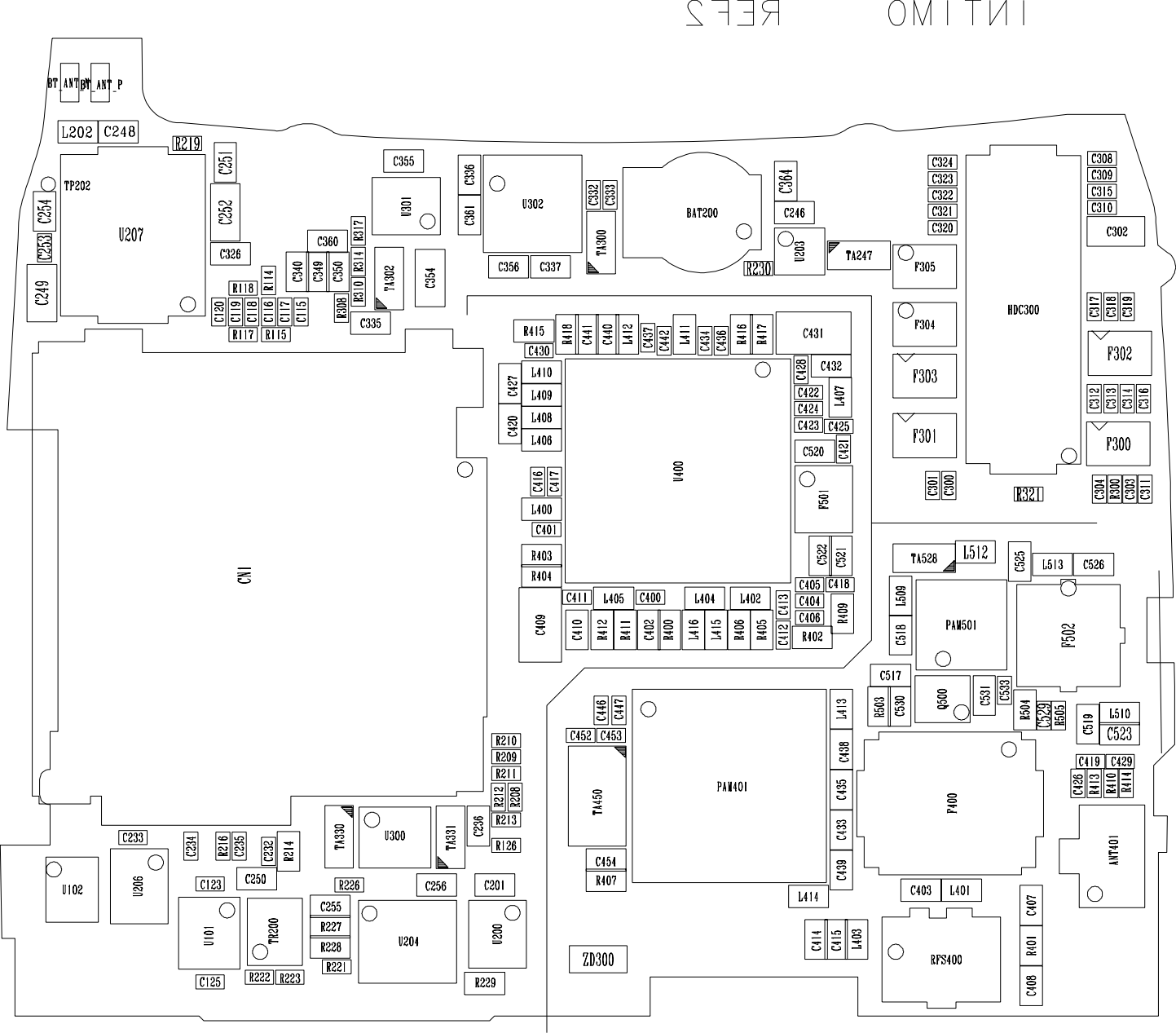
MODE	GSM_VCO_EN	DCS_VCO_EN
GSM 900	H	L
GSM1800/1900	L	H
OFF	H	H

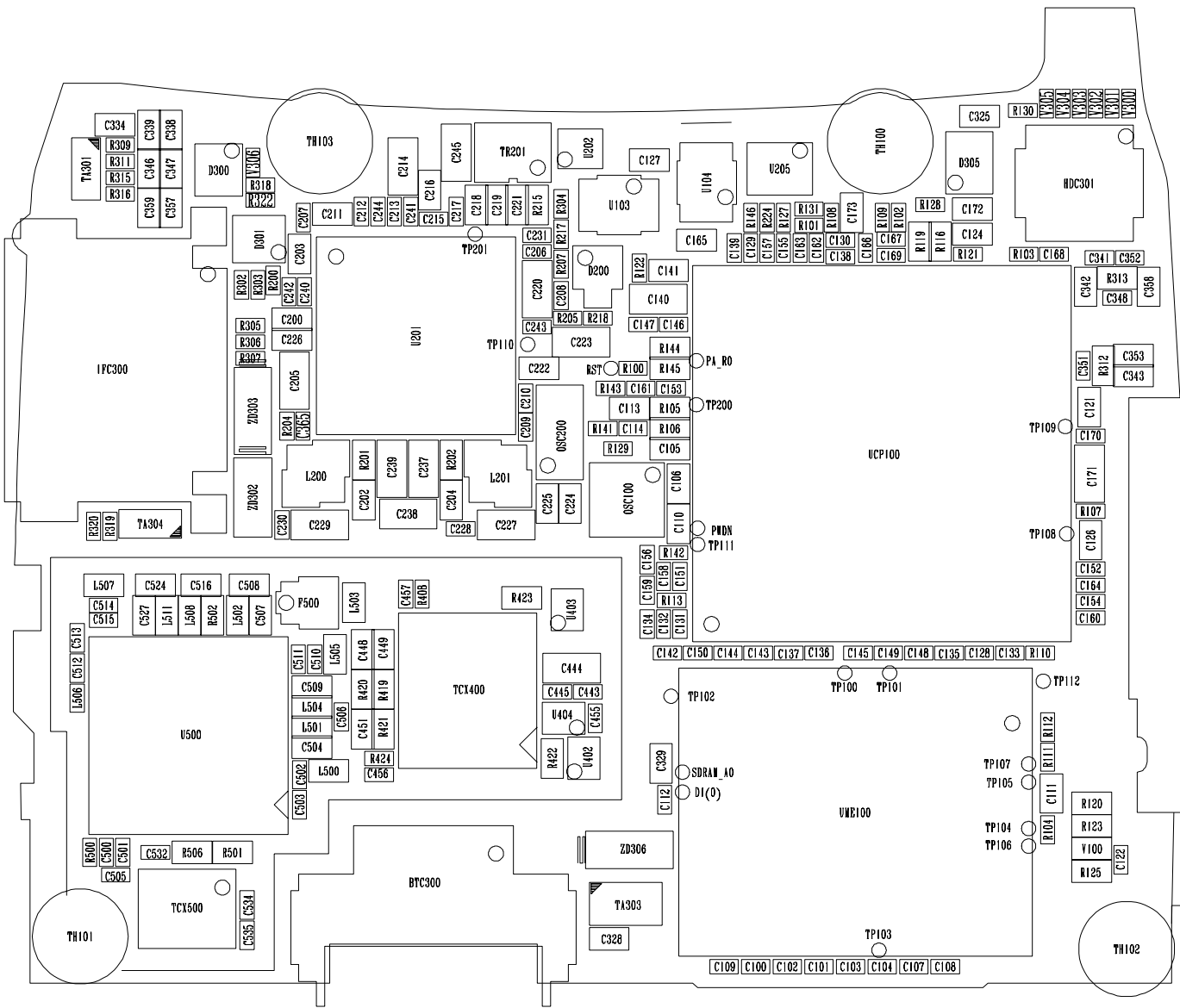
< WCDMA >



PA_R1	GAIN
L	HIGH GAIN
H	LOW GAIN
PA_ON0	PA
L	OFF
H	ON







- R136
- R137
- R138
- R139
- R140



JT1G100