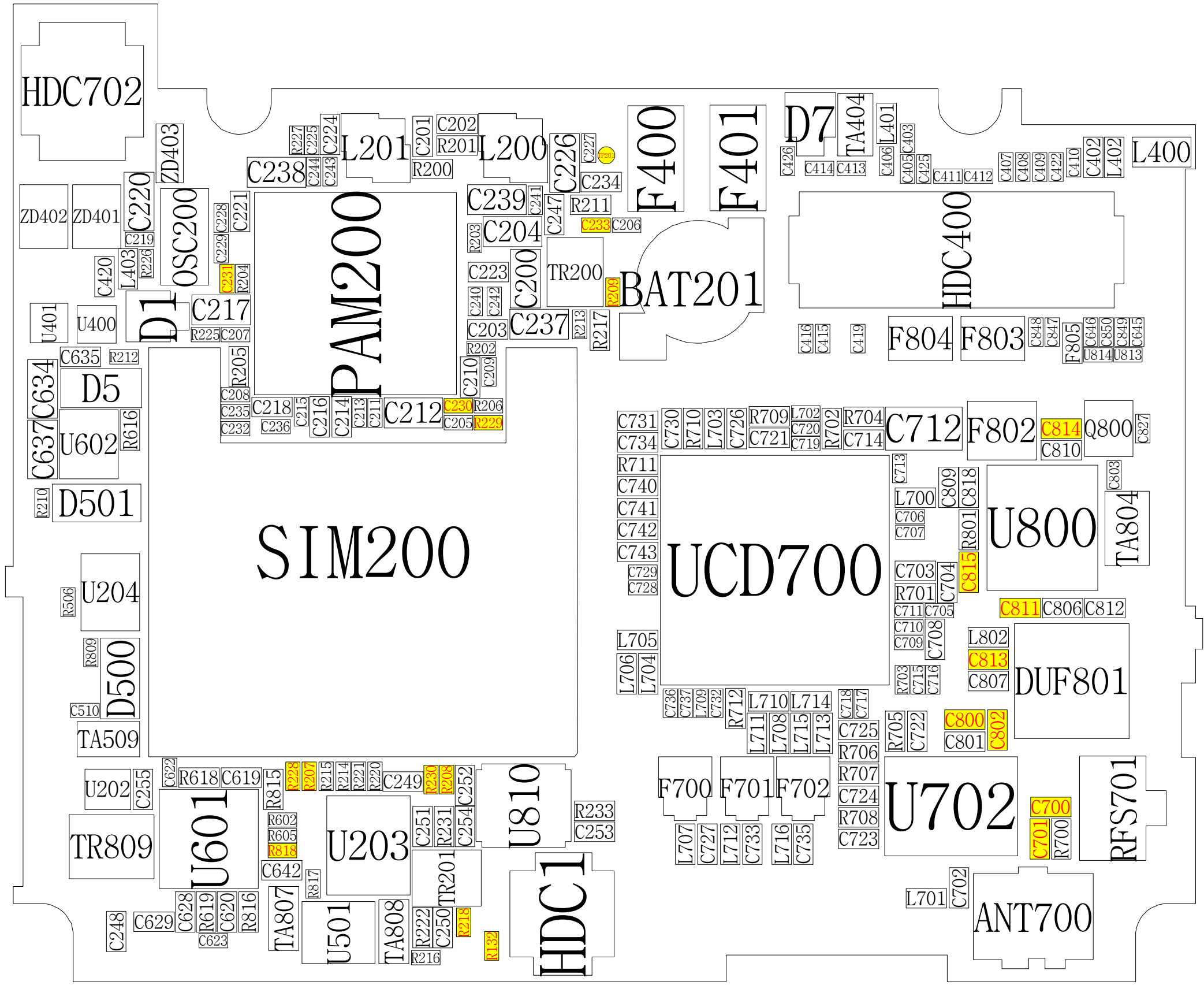
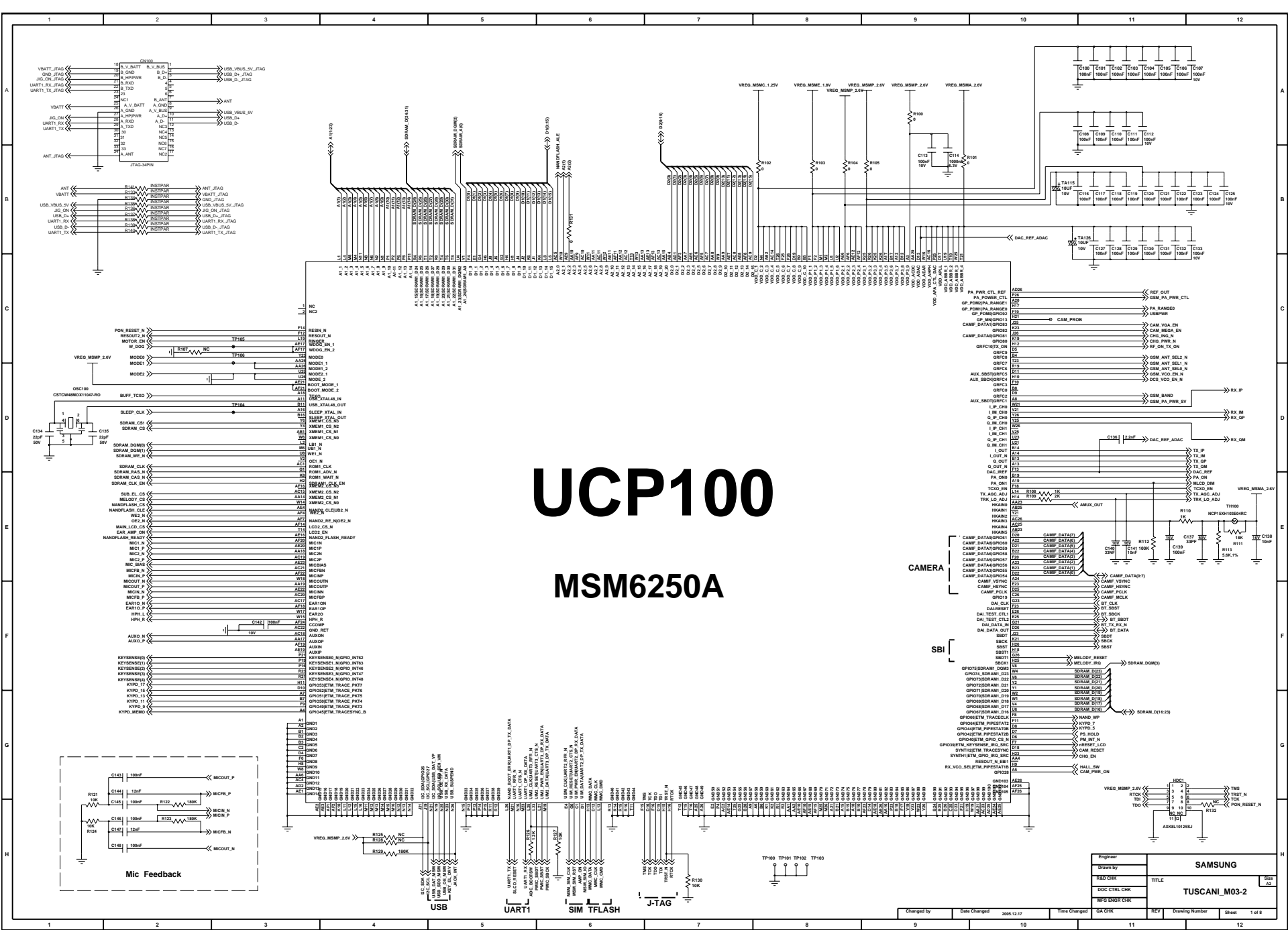


R136  
R139  
R137  
R133  
R135  
R140  
R138  
R134

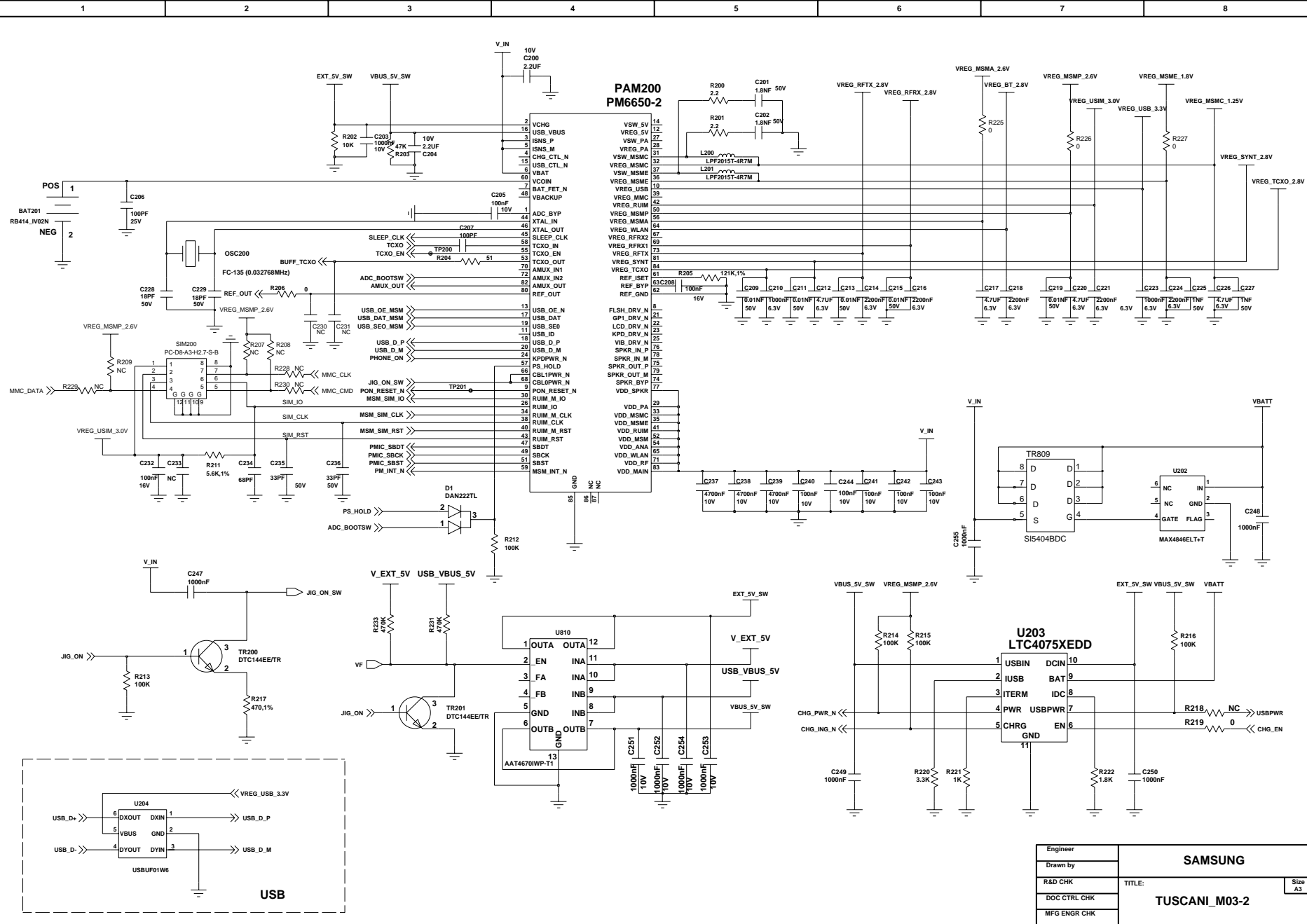




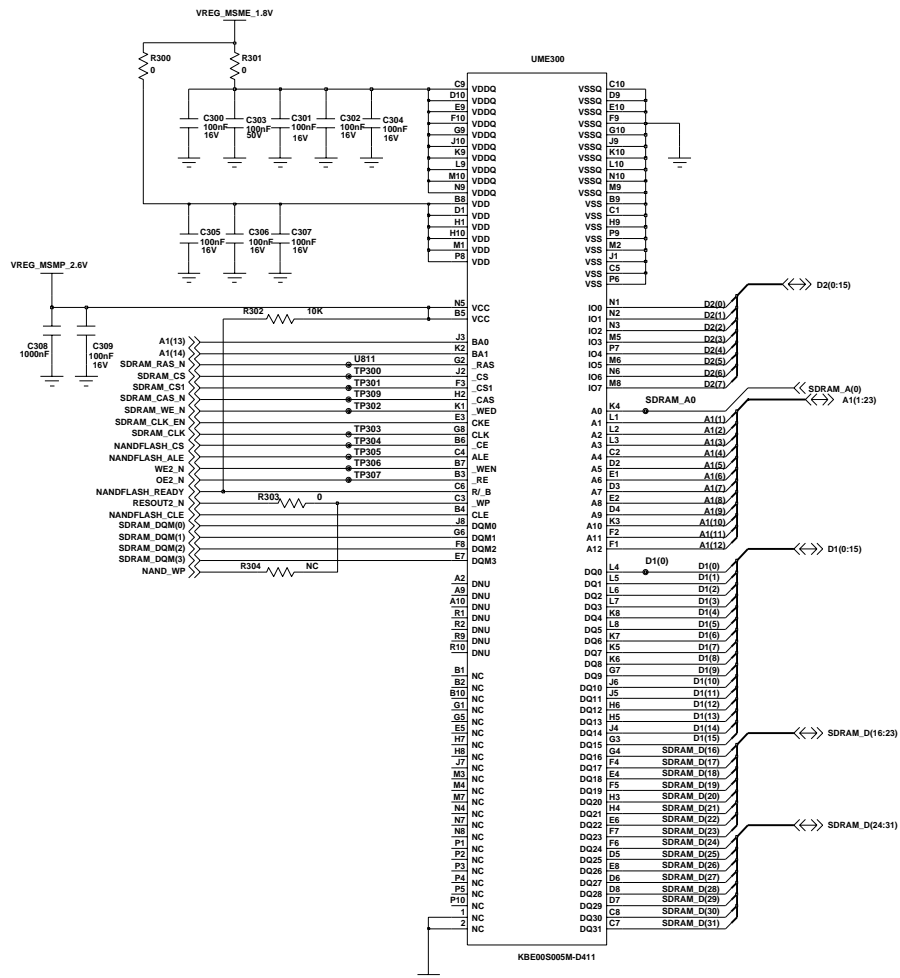
# UCP100

## MSM6250A

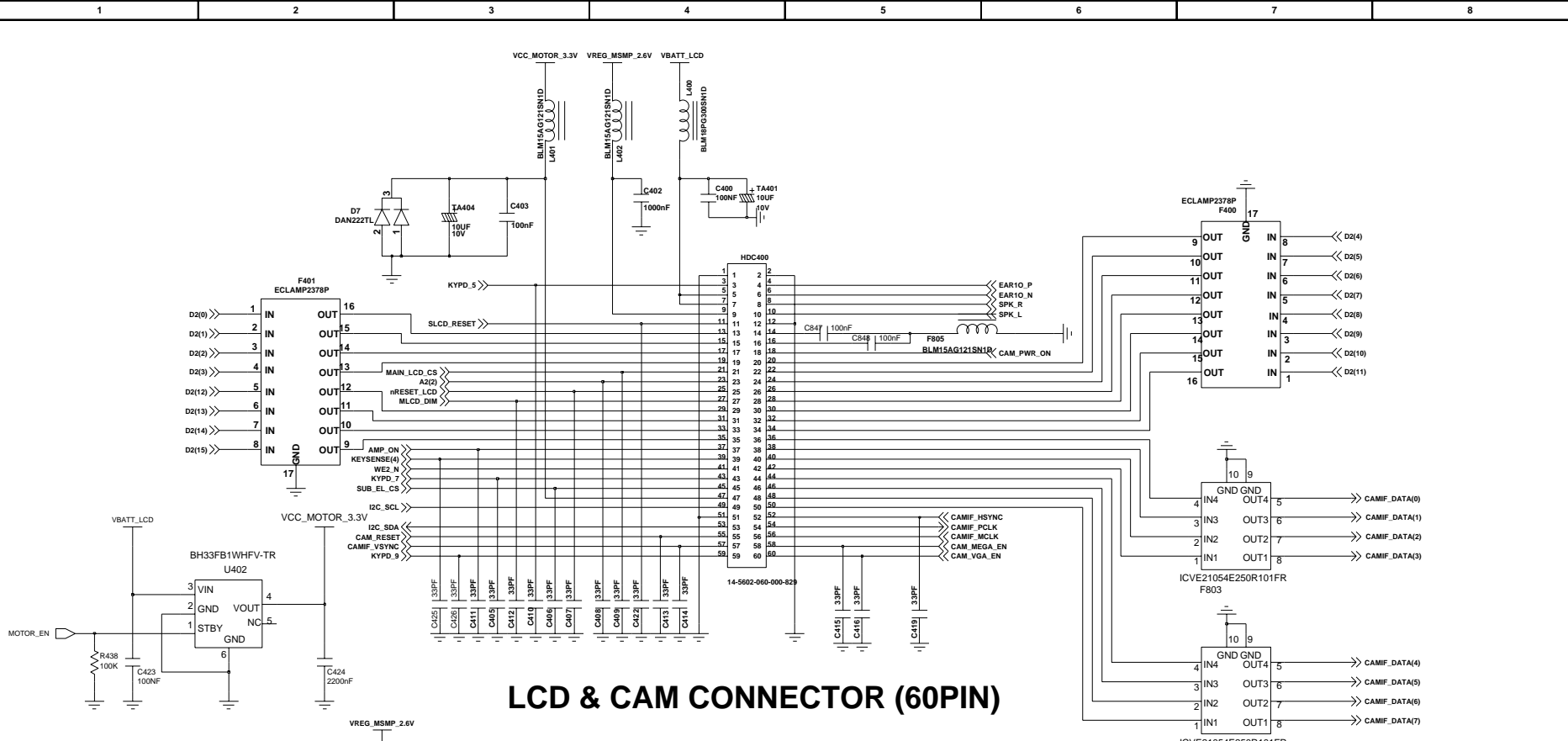
Engineer	SAMSUNG		
Drawn by	TUSCANI M03-2		
FILED CHK	TITLE	REV	
DOC CTRL CHK	Drawing Number		
MFG ENDR CHK	Sheet		
Changed by		Date Changed	Time Changed
		2005.12.17	
QA CKR		REV	11
		REV	12



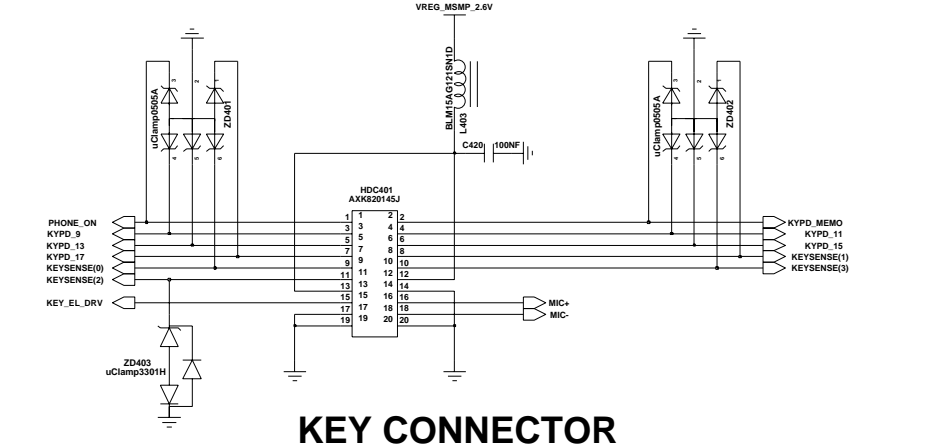
Engineer	SAMSUNG	
Drawn by		
R&D CHK	TITLE:	Size A3
DOC CTRL CHK	TUSCANI_M03-2	
MFG ENGR CHK		
Changed by	Date Changed	2005.12.17
Time Changed	QA CHK	REV
	Drawing Number	Sheet
		2 of 8



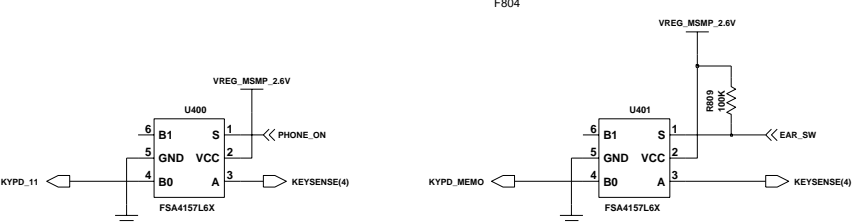
Engineer	<b>SAMSUNG</b>		Size
Drawn by			A3
R&D CHK			TITLE:
DOC CTRL CHK			<b>TUSCANI_M03-2</b>
MFG ENGR CHK			
Changed by	Date Changed	2005.12.17	Time Changed
QA CHK	REV	Drawing Number	Sheet 3 of 8



## LCD & CAM CONNECTOR (60PIN)

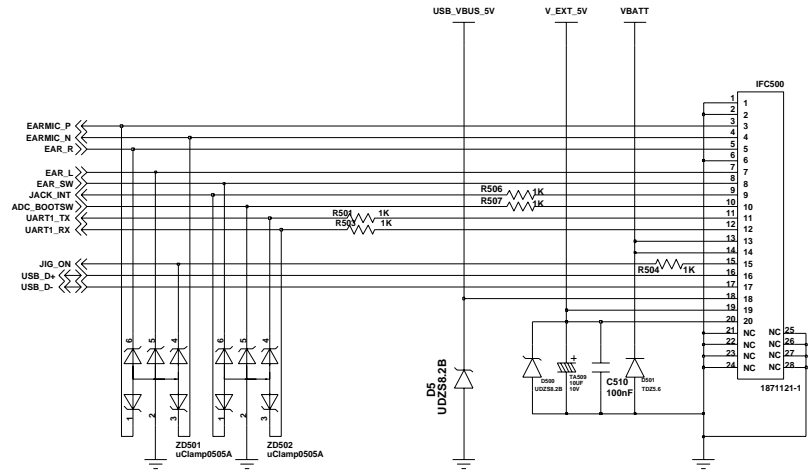
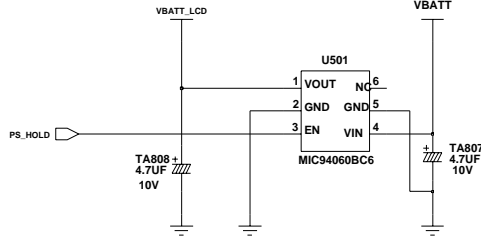
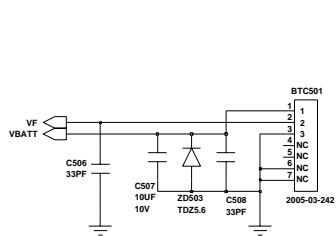
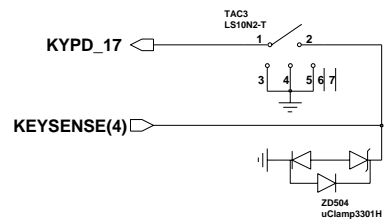
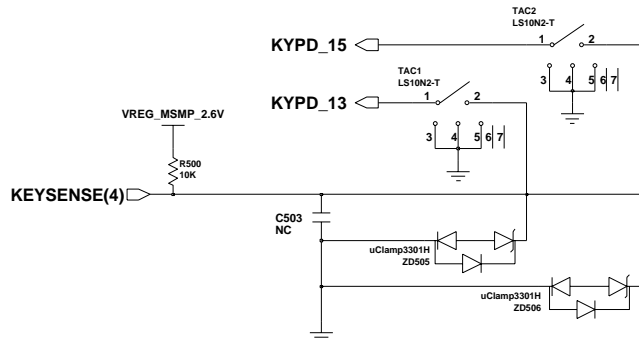
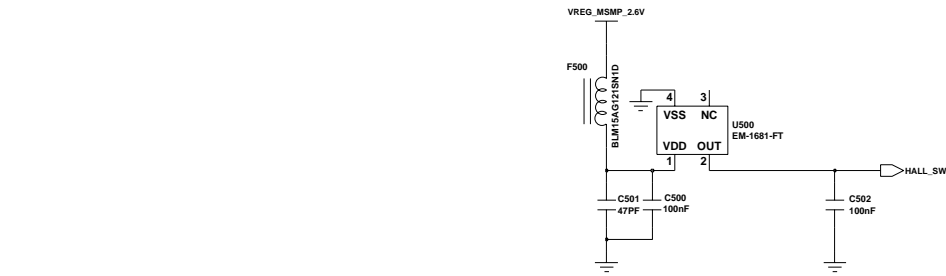


## KEY CONNECTOR



## END KEY

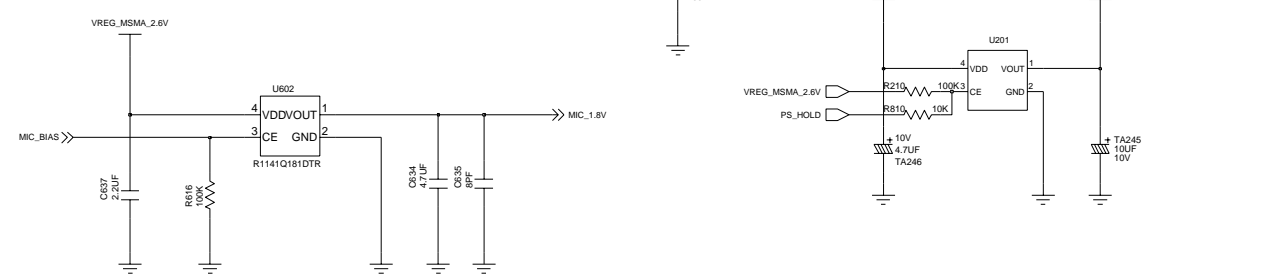
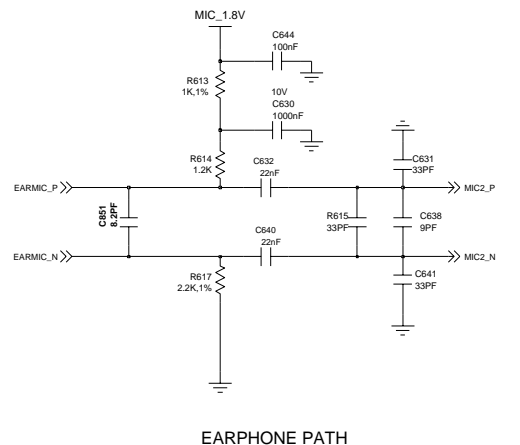
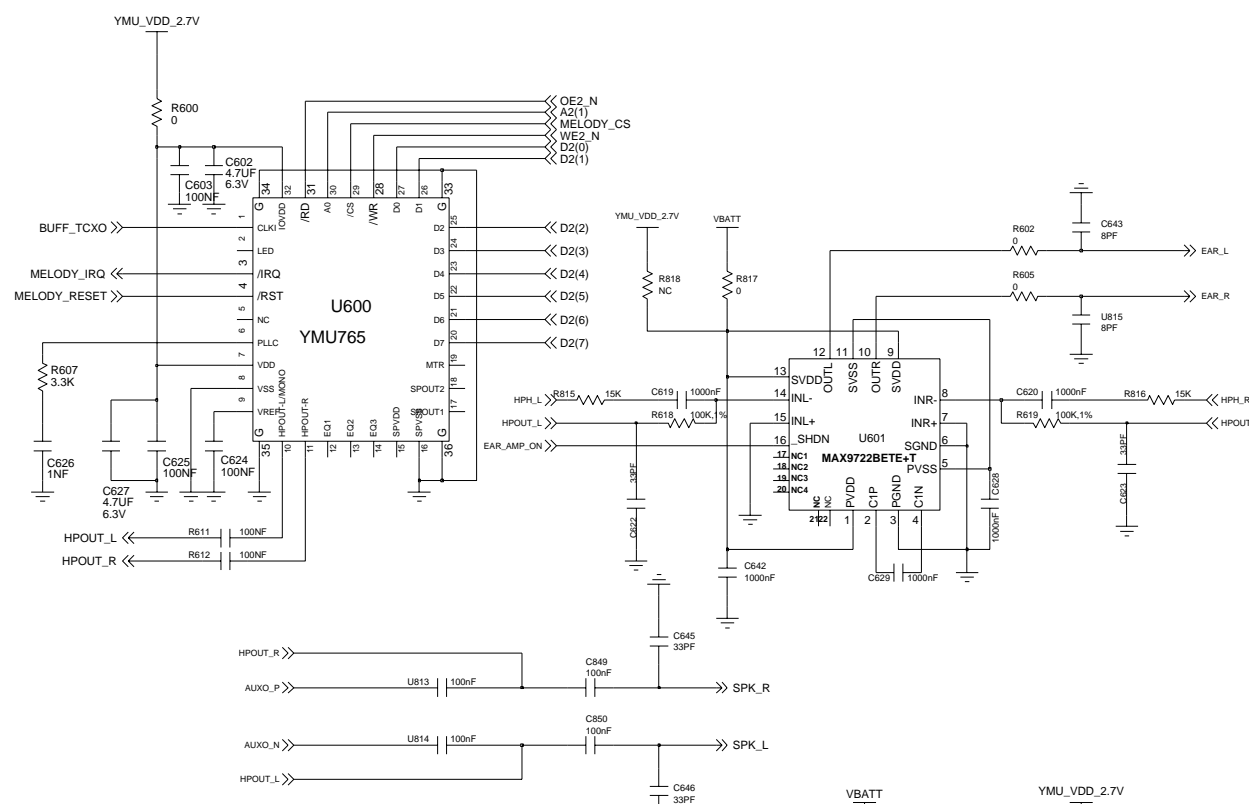
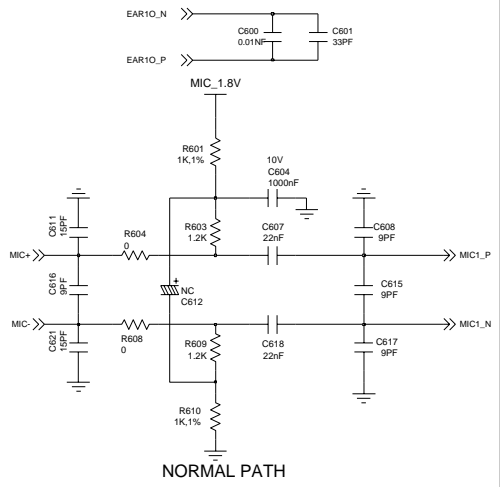
Engineer	SAMSUNG		
Drawn by			
R&D CHK	TITLE:	Size A3	
DOC CTRL CHK	TUSCANI_M03-2		
MFG ENGR CHK			
QA CHK	REV	Drawing Number	Sheet 4 of 8



**BATTERY CONNECTOR**

**IF CONNECTOR**

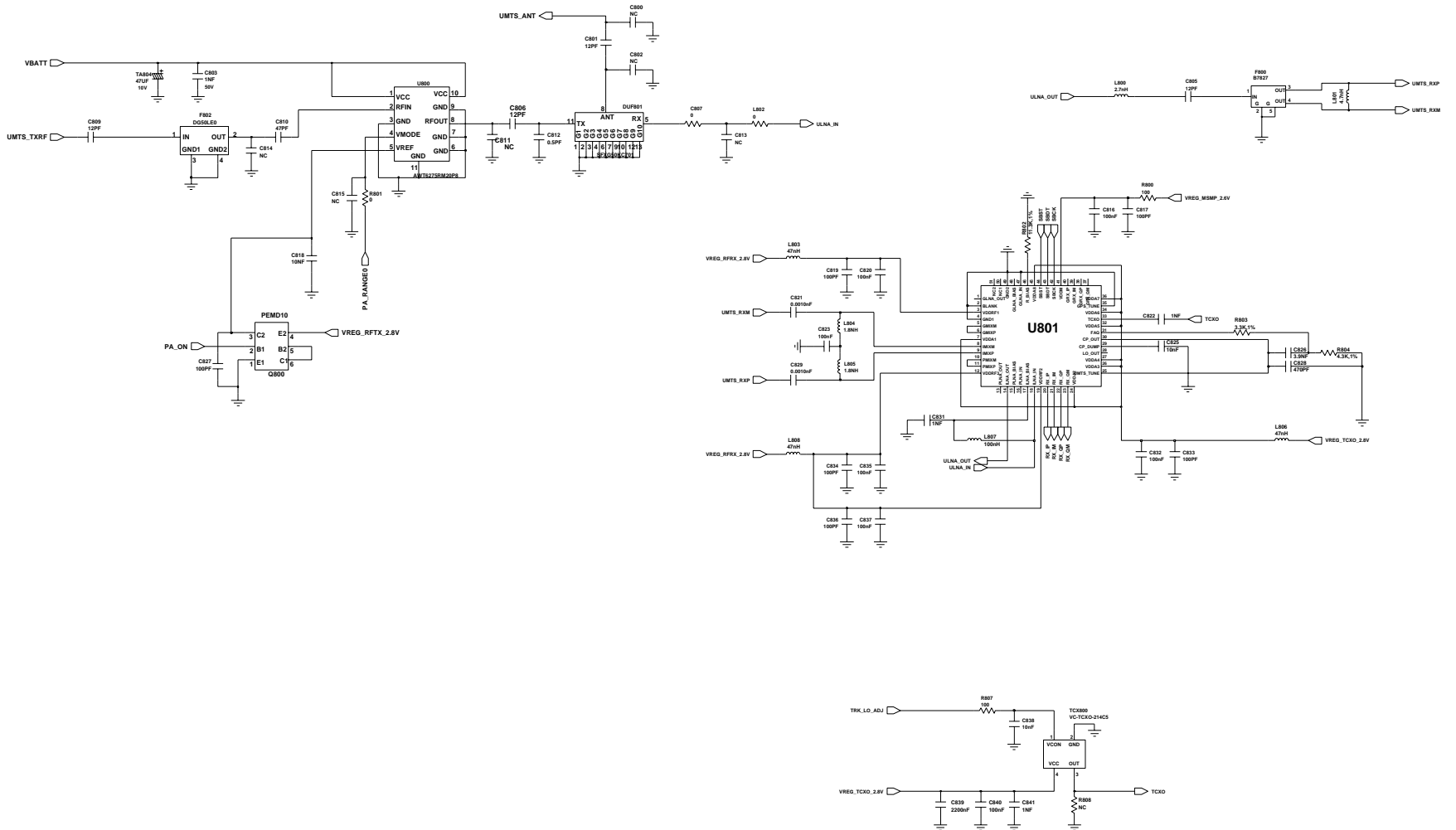
Engineer	SAMSUNG	
Drawn by		
R&D CHK	TITLE:	Size A3
DOC CTRL CHK	TUSCANI_M03-2	
MFG ENGR CHK		



Engineer	SAMSUNG	
Drawn by		
R&D CHK	TITLE:	Size A3
DOC CTRL CHK	TUSCANI_M03-2	
MFG ENGR CHK		
QA CHK	REV	Sheet 6 of 8
Changed by	Date Changed 2005.12.17	Time Changed







Engineer	SAMSUNG	
Drawn by	TITLE	
FILED CHK	DOC CTRL CHK	
MFG ENDR CHK	TUSCANI_M03-2	
Changed by	Date Changed	Time Changed
GA CHK	REV	Drawing Number
Sheet	8 of 8	