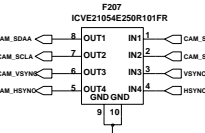
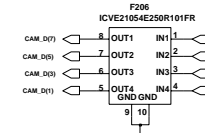
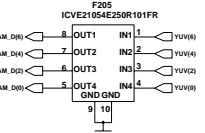
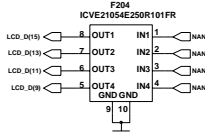
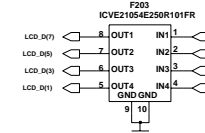
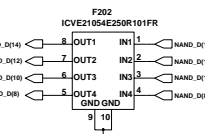
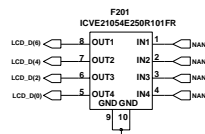
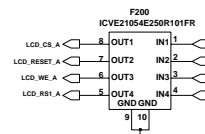
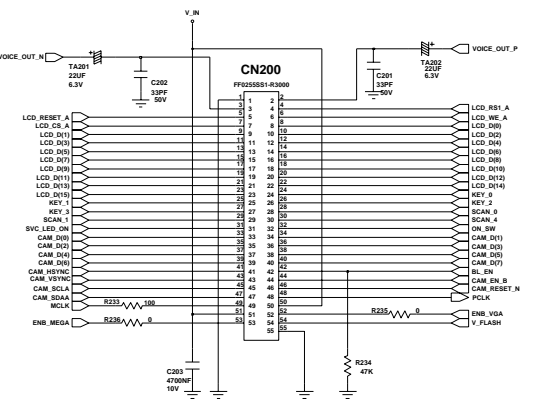
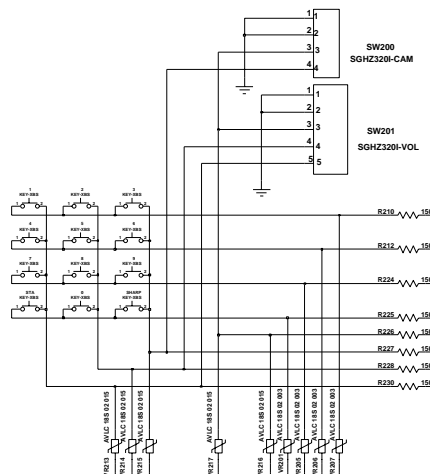
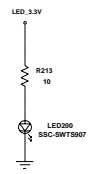
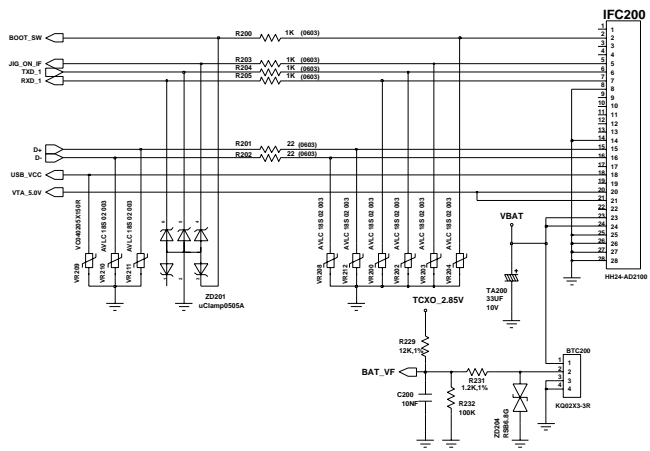


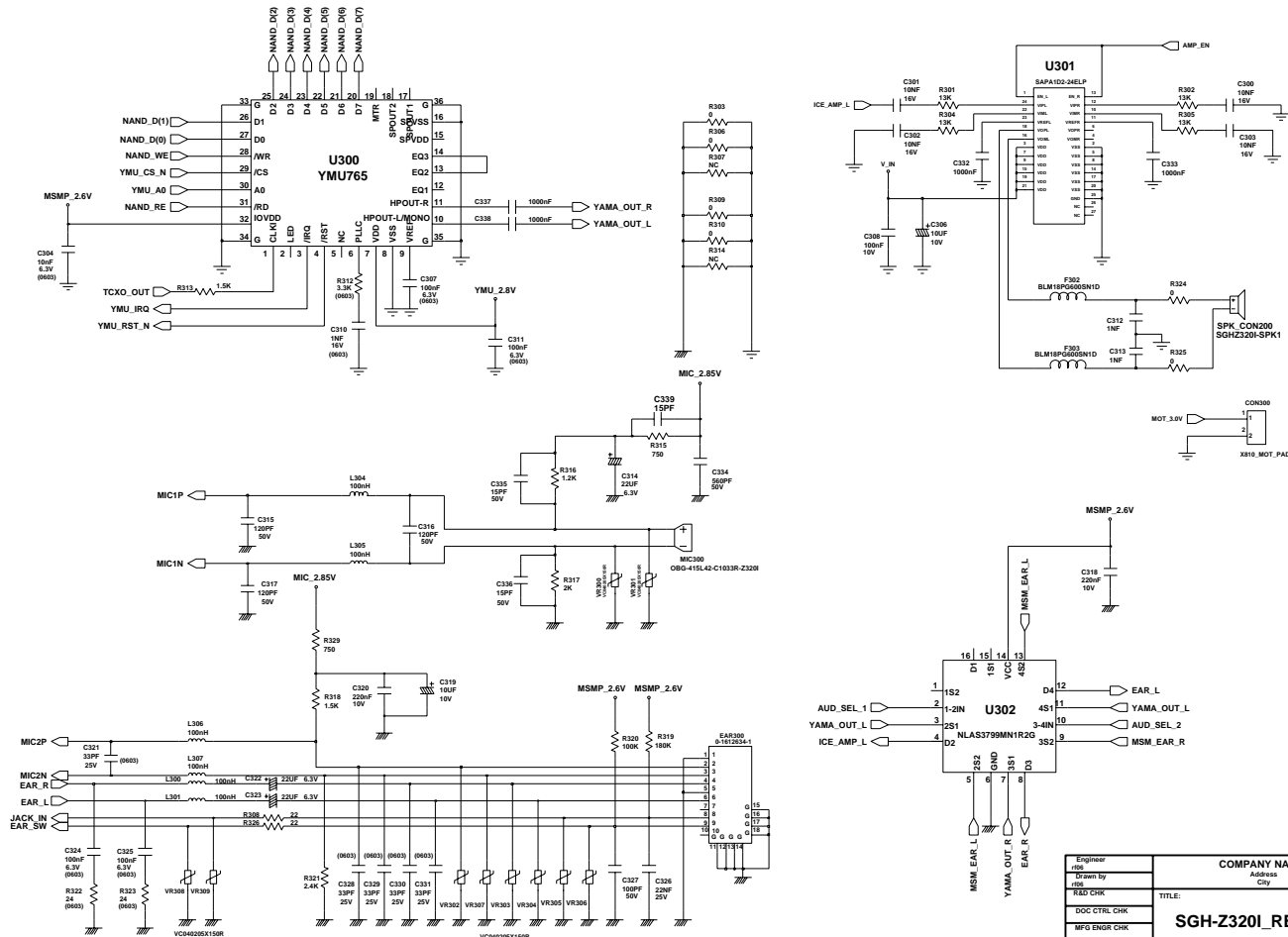
UCP100 MSM6250A



Customer	SAMSUNG DREAM TEAM
Design ID	100
Revision	001
DATE	2008.08.20
DESCRIPTION	SGH-Z320I_REV1.1
DESIGNER	SHIN W. LEE
DR. CHECK	SHIN W. LEE
DATE	2008.08.20
DESIGN CHECK	SHIN W. LEE
DATE	2008.08.20

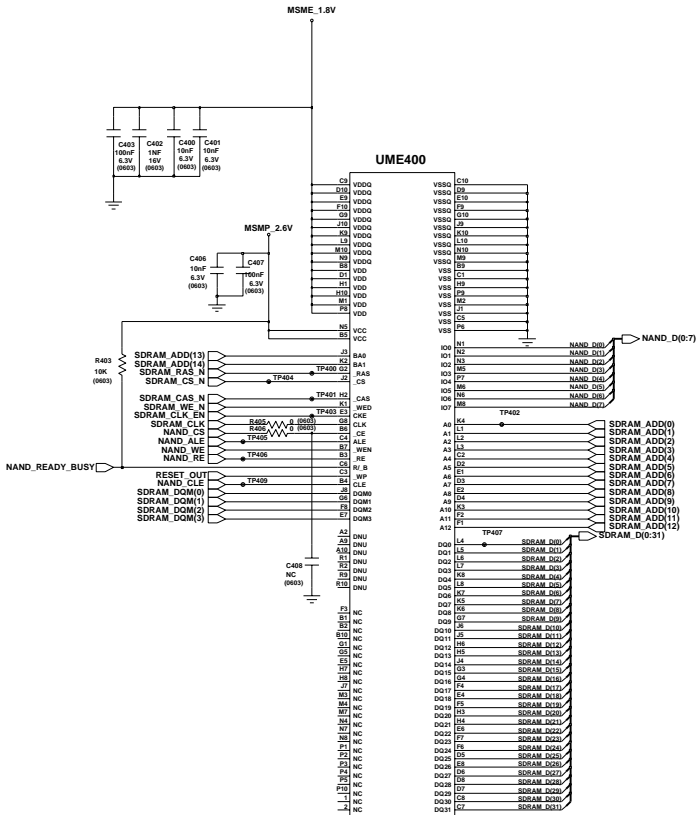


Engineer Drawn by Checked by RD/CHK	DATE	COMPANY NAME Address City	Size A4
DDC CTRL CHK MFG BDRW CHK	REV 1.1	SGH-Z320I_REV1.1	Drawing Number
Changed by 056	Date Changed 2005.11.16	Time Changed 2:00:21 am	Sheet 2 of 8

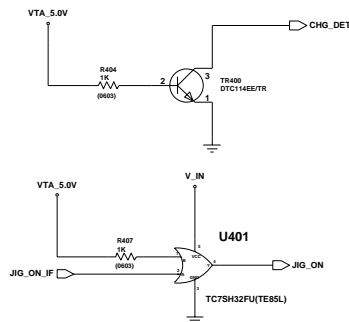
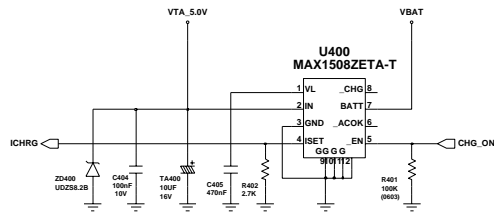


Engineer Checked by Drawn by Rev	DATE	COMPANY NAME Address City	Size A4
DESIGN CHK MFG ENGR CHK	REV	TITLE: SGH-Z320I_REV1.1	Drawing Number Sheet 3 of 8

MEMORY

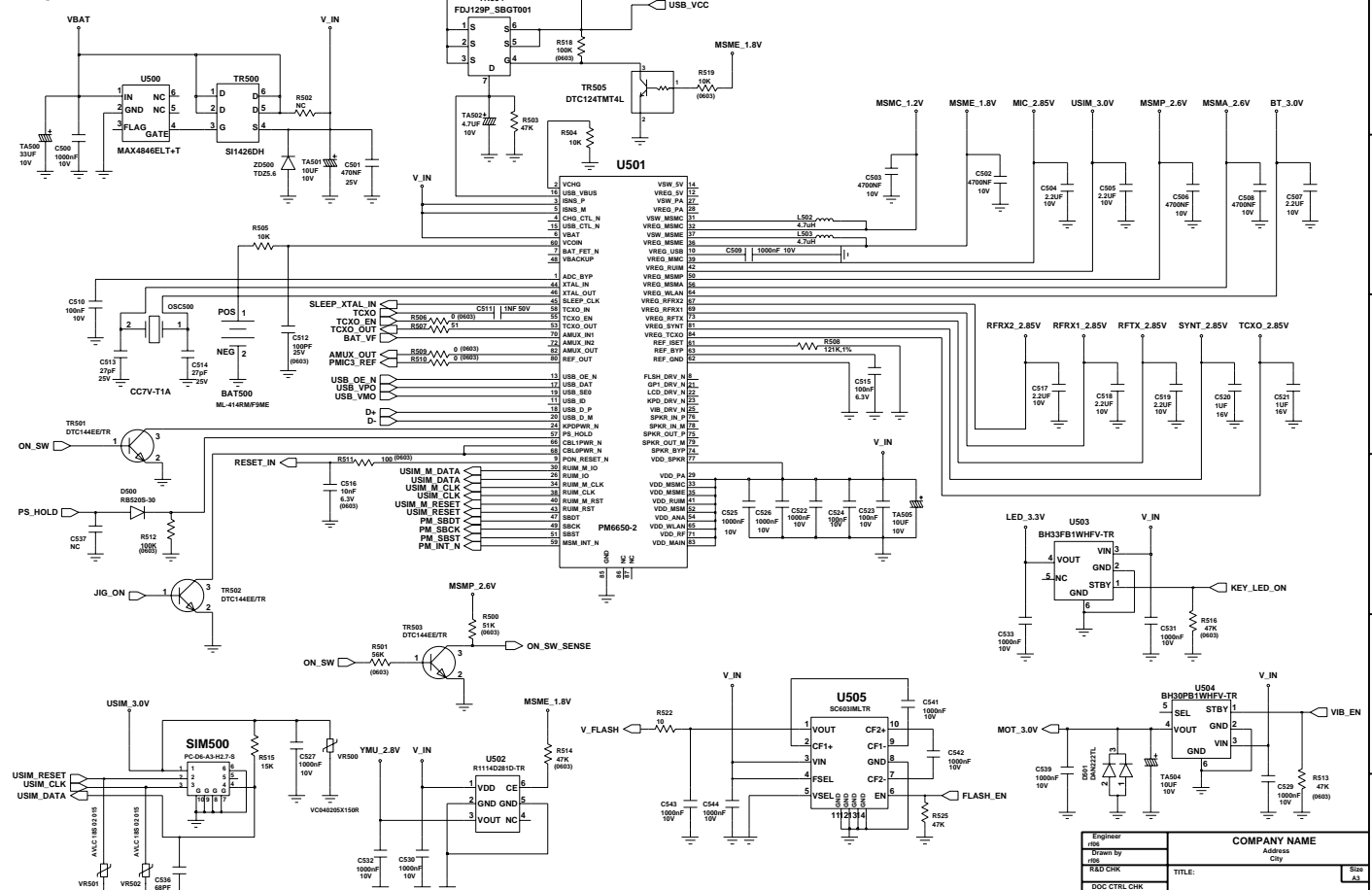


KBE00S09M-D411



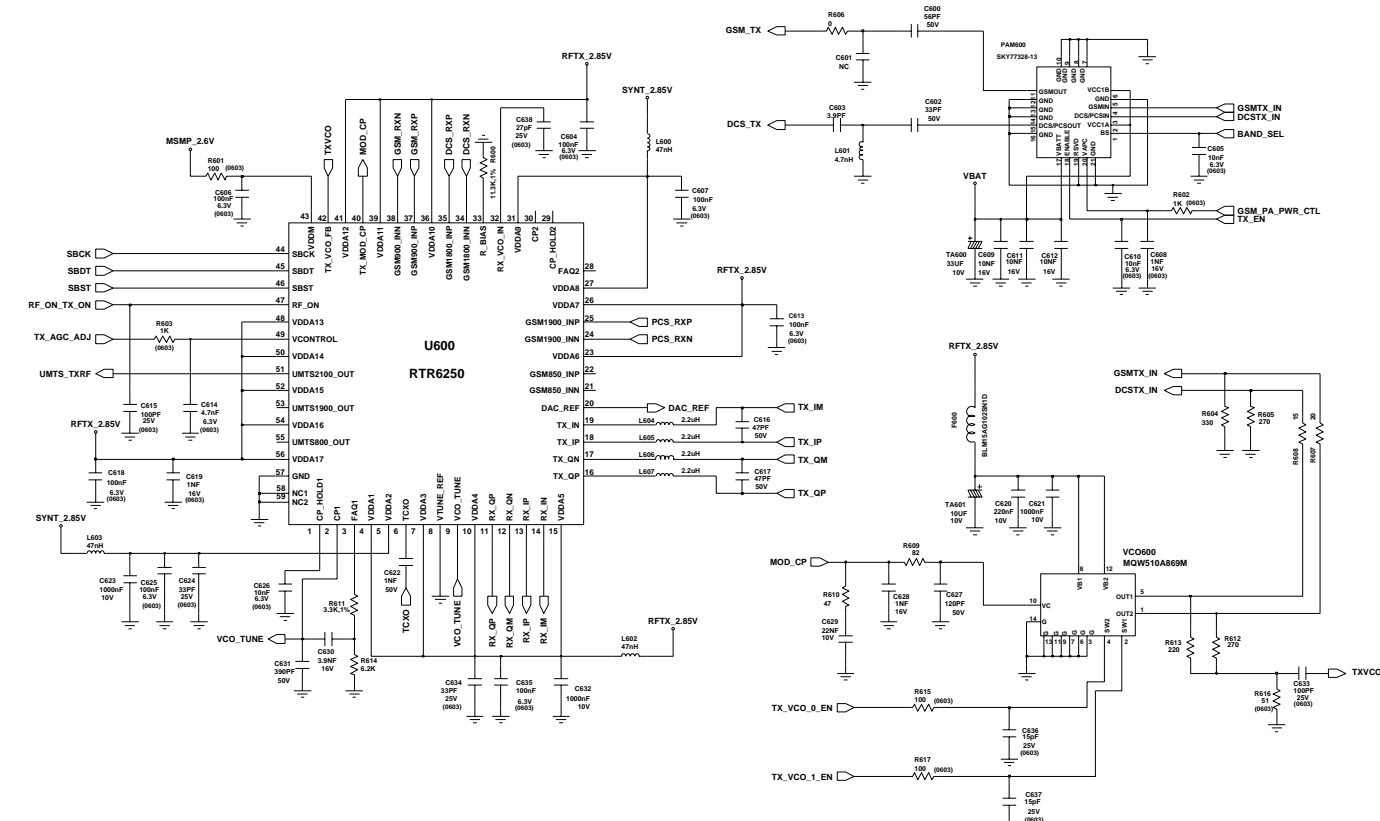
Engineer	COMPANY NAME		
Drawn by	Address		
RED CHK	City		
DOC CTRL CHK	TITLE:	Size	
MFG BRDR CHK	A3		
SGH-Z320I_REV1.1			

PM IC



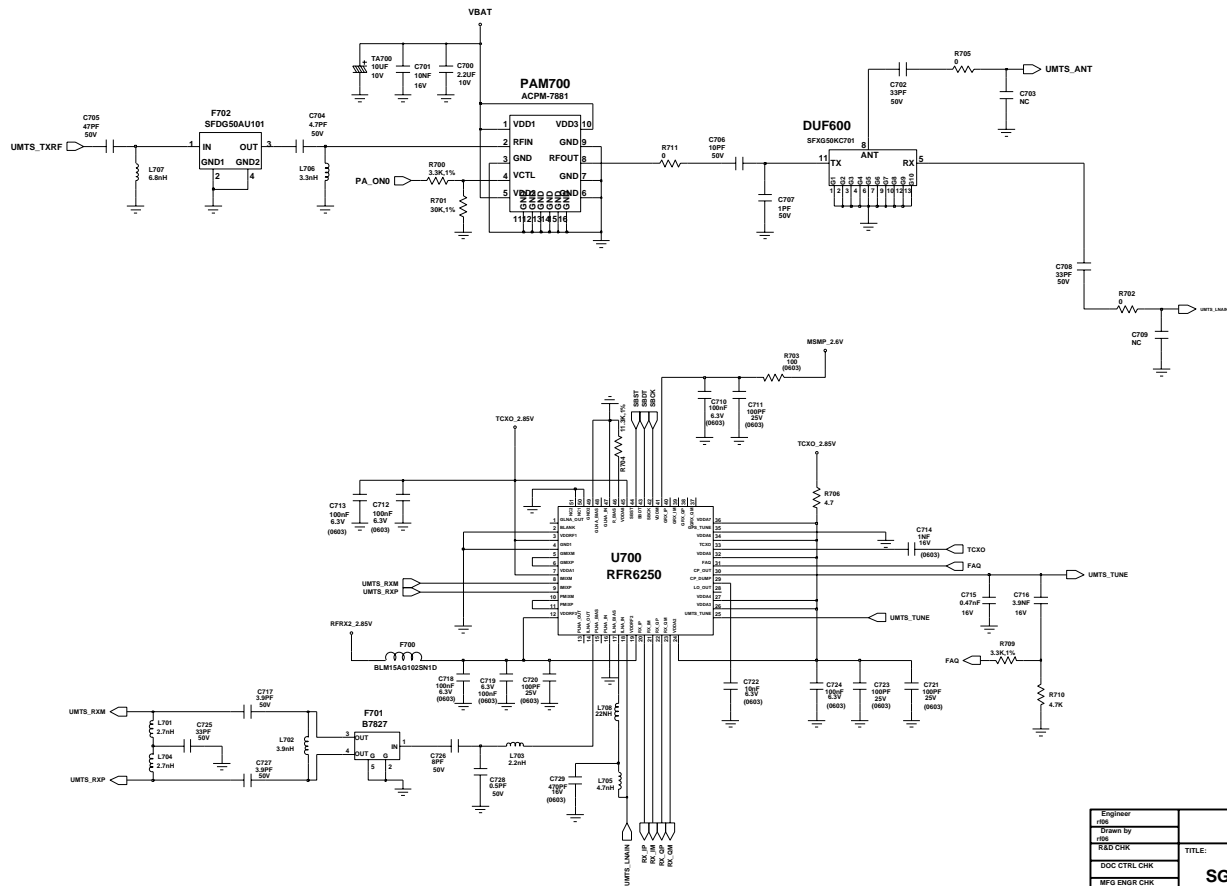
Engineer rgr	Checked by rgr	DATE 10/26/11	COMPANY NAME Address City
DESIGNER rgr	DATE 10/26/11	TITLE: SGH-Z320I_REV1.1	Size A4
DOC CTRL CHK rgr	DATE 10/26/11	Drawing Number	Sheet 5 of 9
MFG BRGR CHK rgr	DATE 10/26/11	REV 1.1	

RF1(RTR6250)



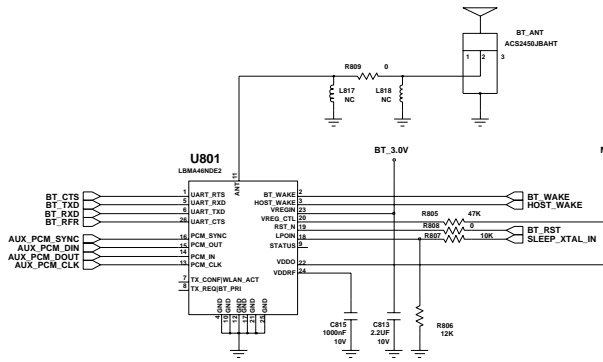
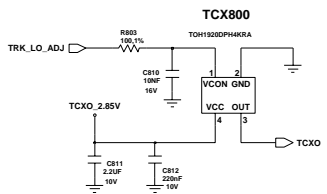
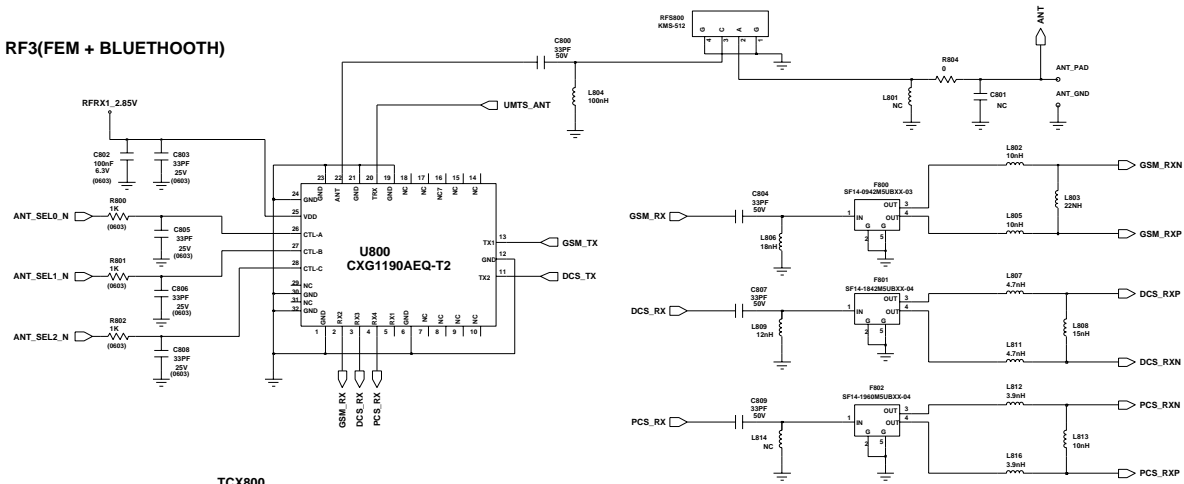
Engineer	COMPANY NAME	
Drawn by	Address	
RED/CHK	City	
DOC CTRL/CHK	TITLE:	Size A3
MFG/DRGR/CHK	SGH-Z320I_REV1.1	

RF2(RFR6250)



Engineer rpg	COMPANY NAME
Drawn by rpg	Address
REED CHK	City
DOC CTRL CHK	TITLE:
MFG BDRG CHK	Size A4
	SGH-Z320I_REV1.1

RF3(FEM + BLUETOOTH)



Engineer	COMPANY NAME	
Drawn by	Address	
RED CHK	City	
DOC CTRL CHK	TITLE:	Size
MFG ENGR CHK	SGH-Z320I_REV1.1	
REV 1.1	Drawing Number	Sheet # of #

