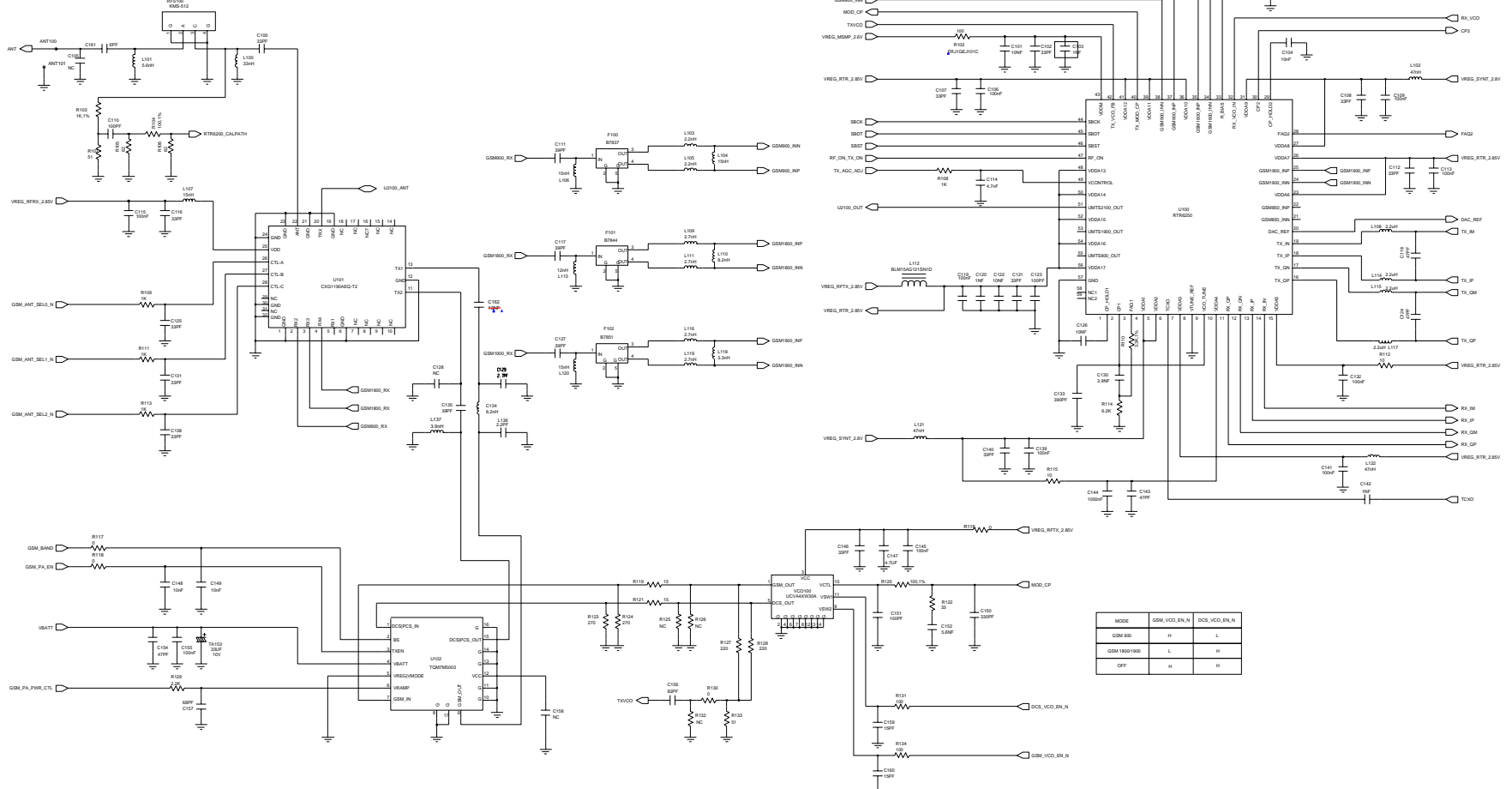


JTAG500

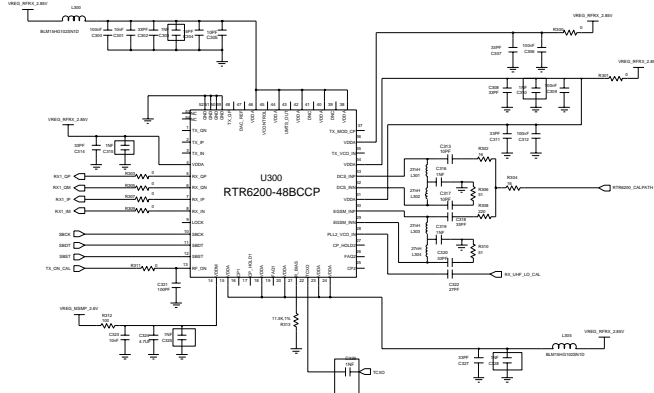


# < GSM >

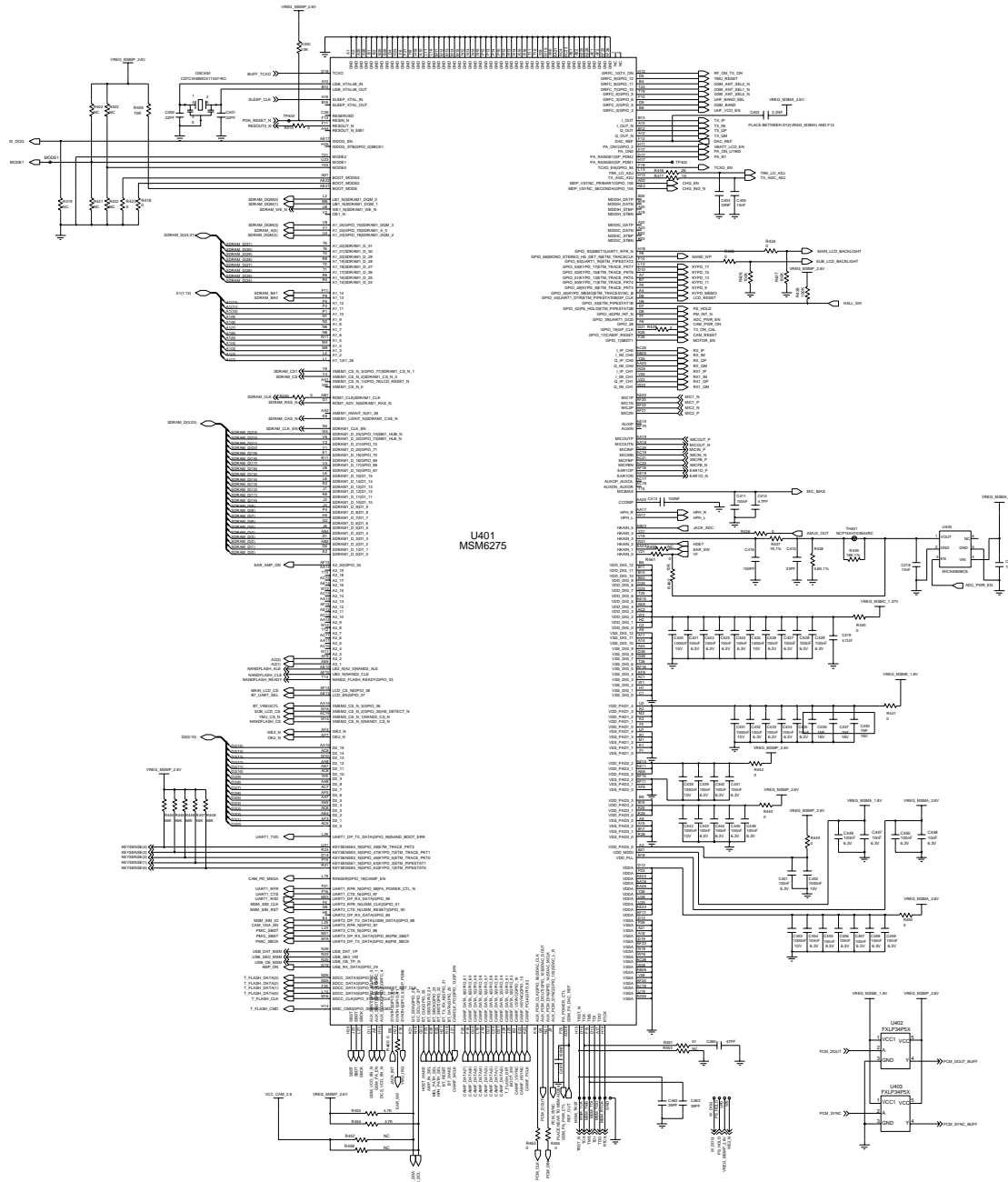




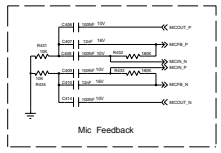
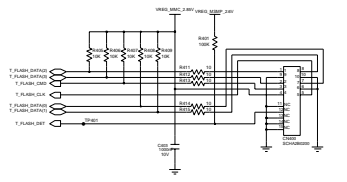
<EDGE CAL>



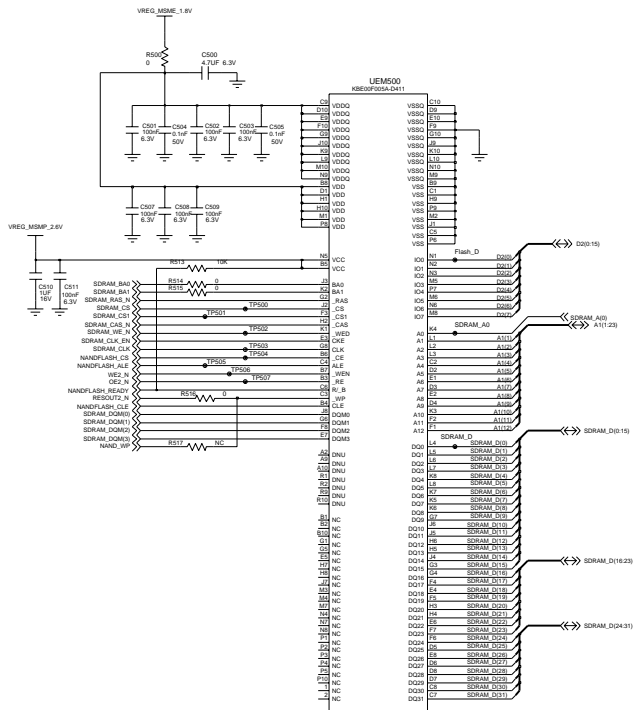
# <MODEM>



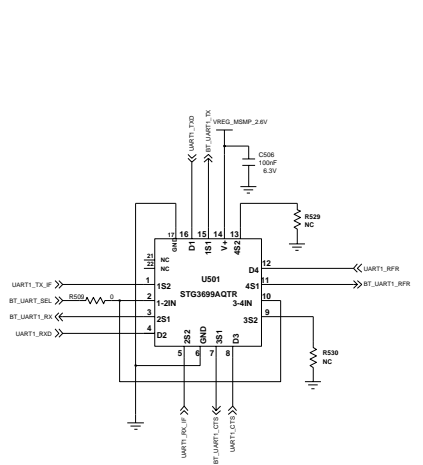
# < T-Flash >



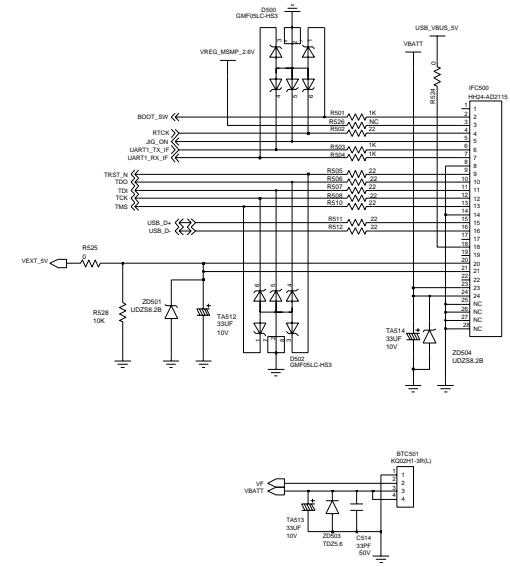
### < Memory 1G/512M >



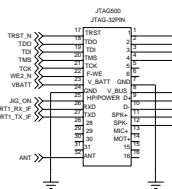
### < UART1 SWITCH >



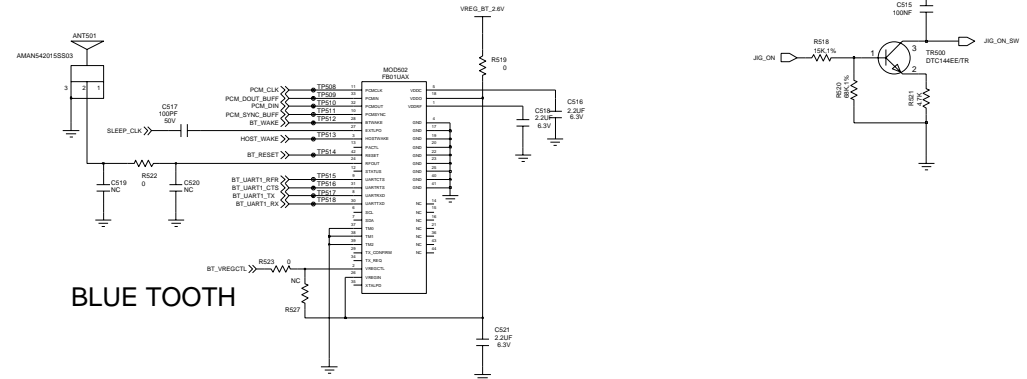
### < IF Connector >

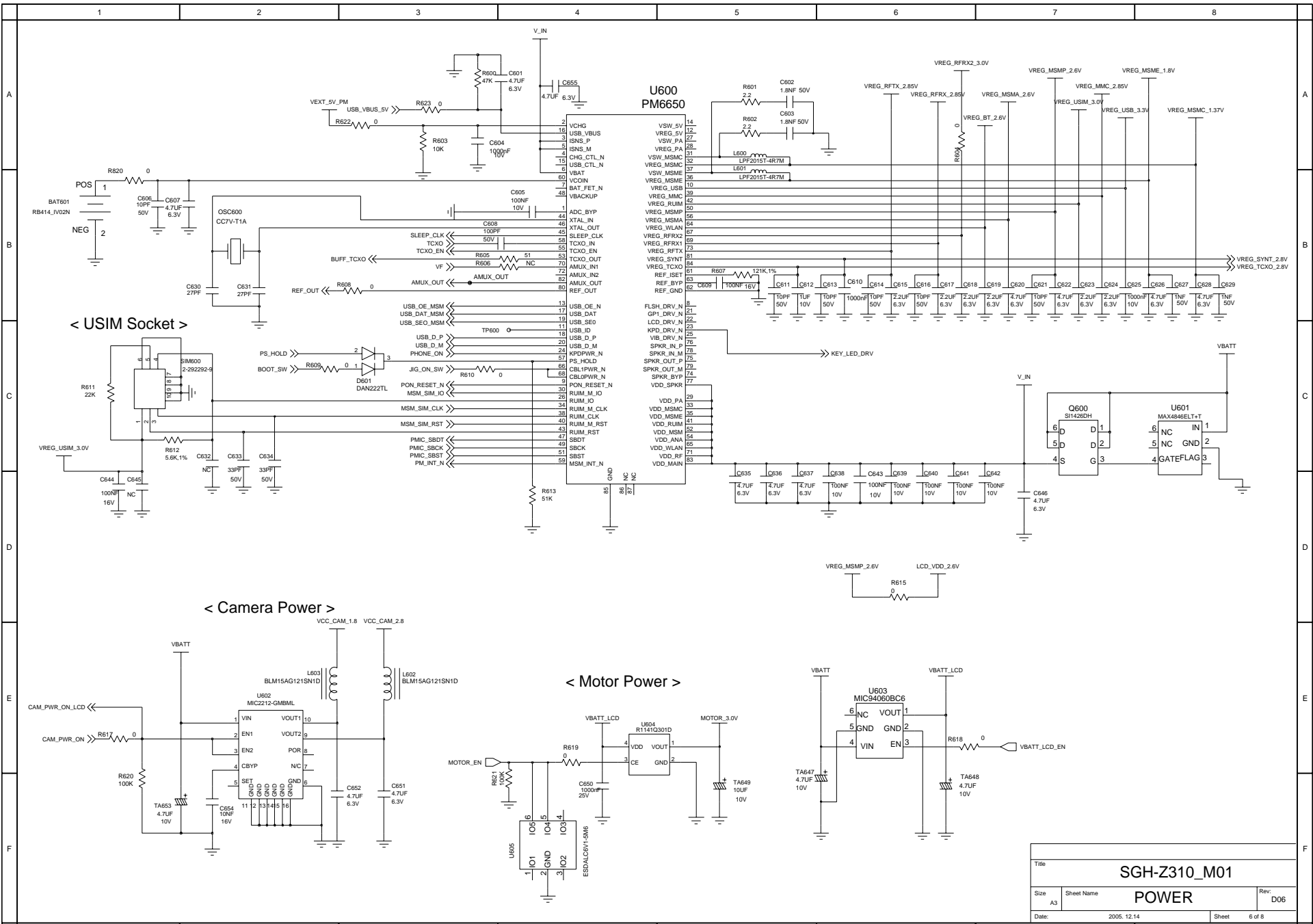


### < TEST PAD >



### BLUE TOOTH

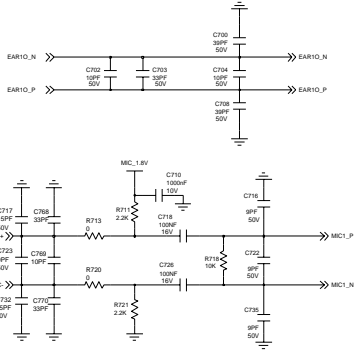




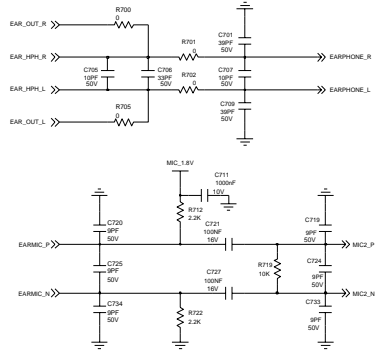
Title		SGH-Z310_M01	
Size	Sheet Name	POWER	
A3		Rev.	D06
Date:	2005.12.14	Sheet	6 of 8



# < Audio >

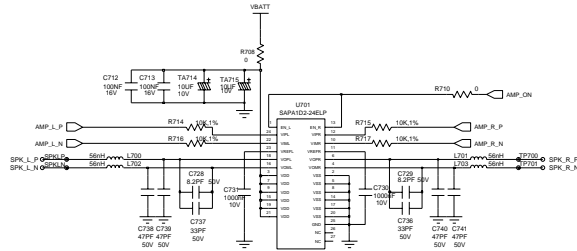


NORMAL PATH

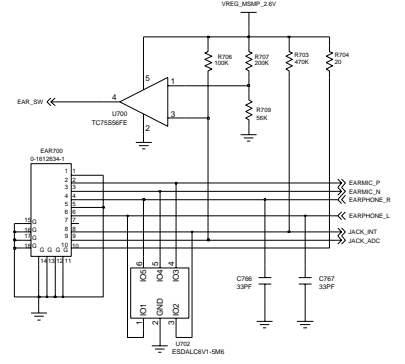


EARPHONE PATH

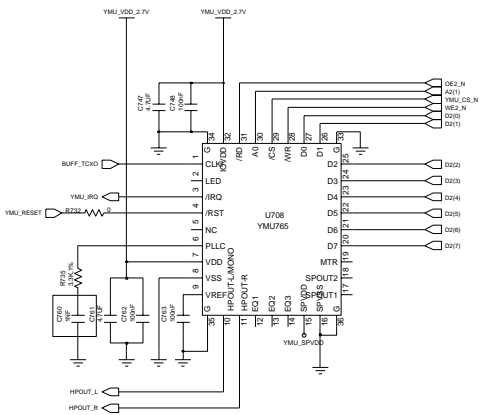
# < Audio AMP >



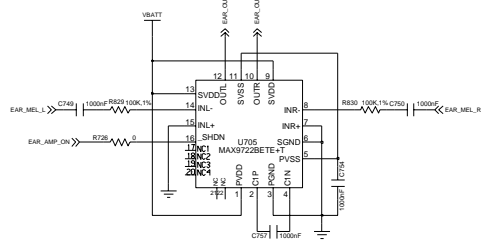
# < Earjack >



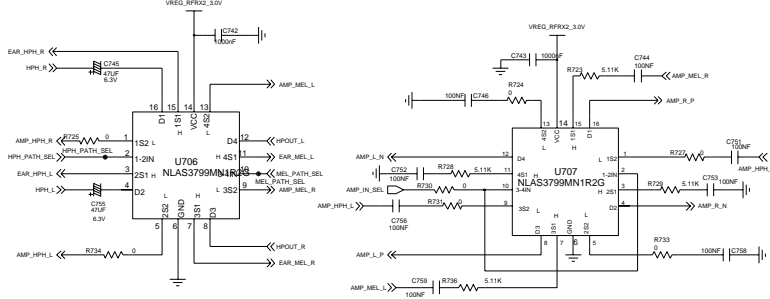
# < Melody IC >



# < Earphone AMP >



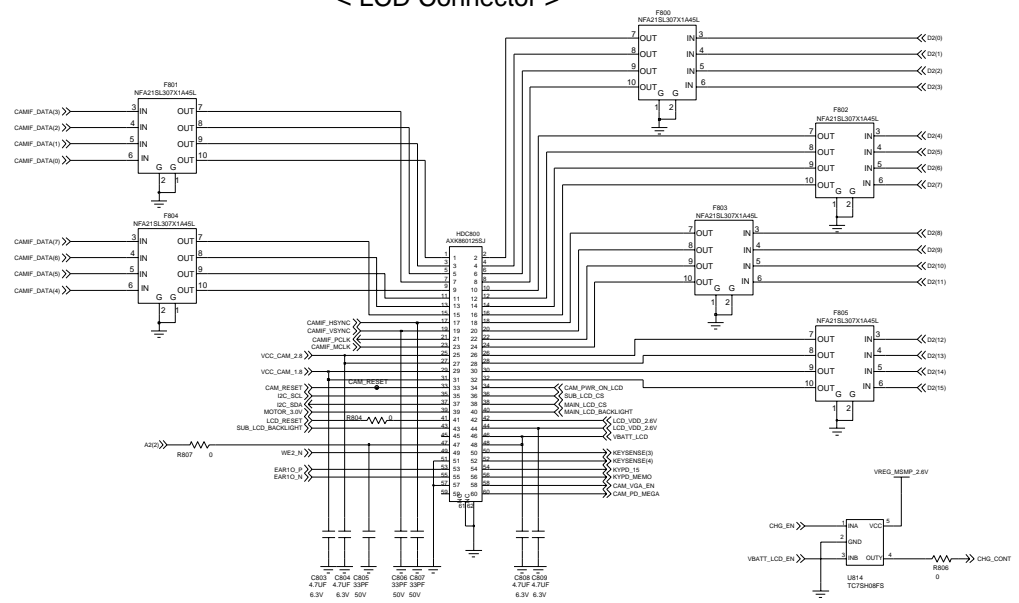
# < Audio Switch >



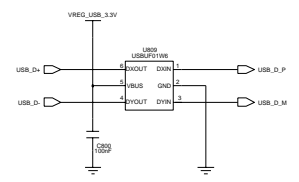
**\*\* Audio Switch Control**

	H	L
HPH_PATH_SEL	Earphone	AMP
MEL_PATH_SEL	Earphone	AMP
AMP_IN_SEL	YMU MEL	HPH

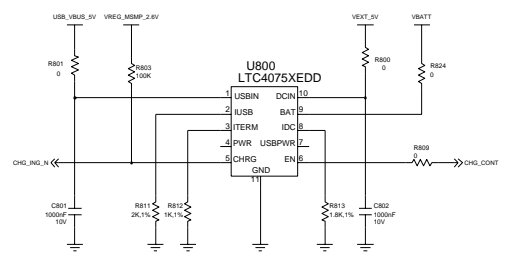
### < LCD Connector >



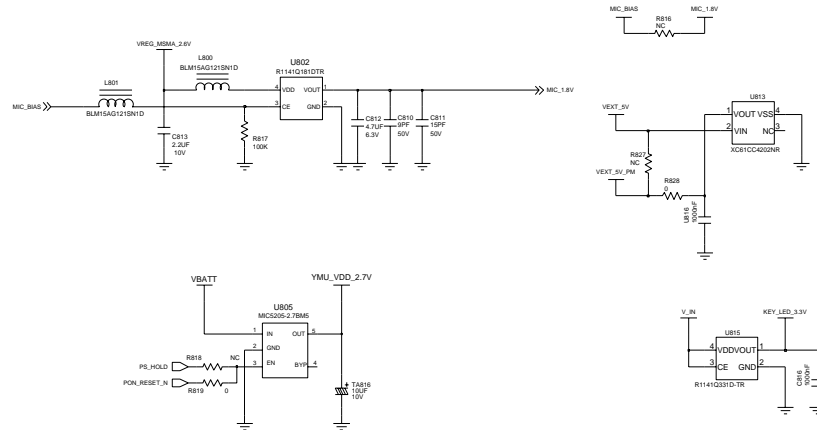
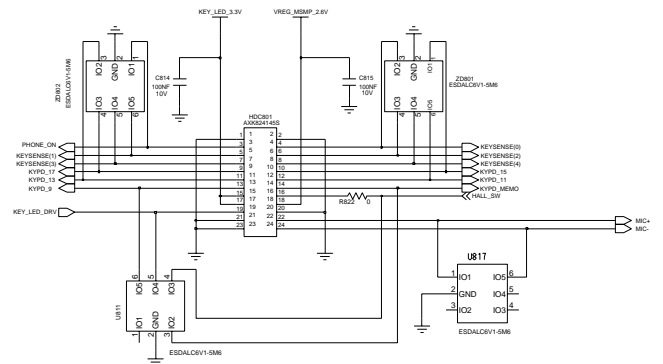
### < USB Filter >



### < Charger >



### < Key Connector >



Title	SGH-Z310_M01	
Size	Sheet Name	CONECTOR
Date:	2005.12.14	Sheet 6 of 8