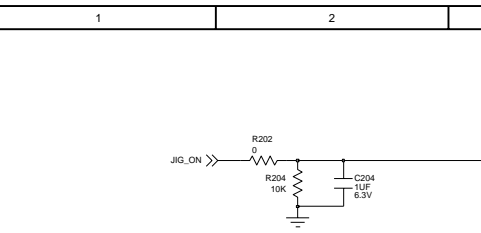
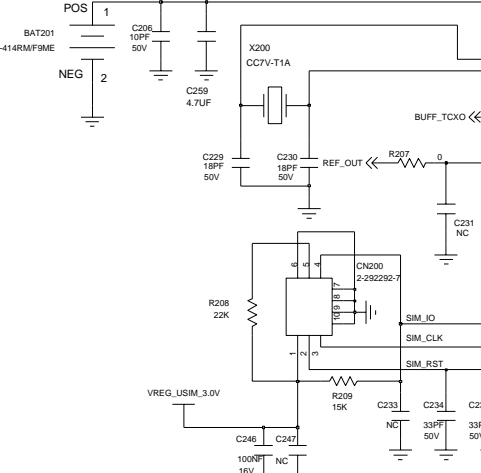
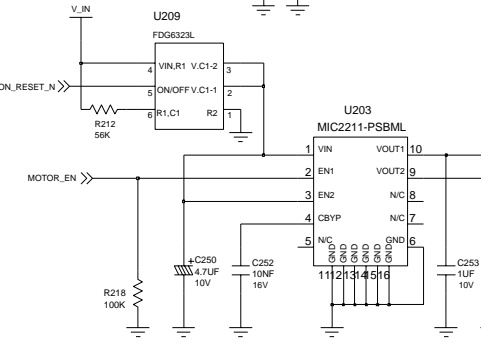
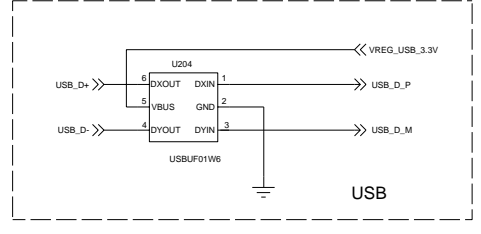
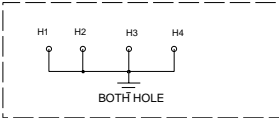
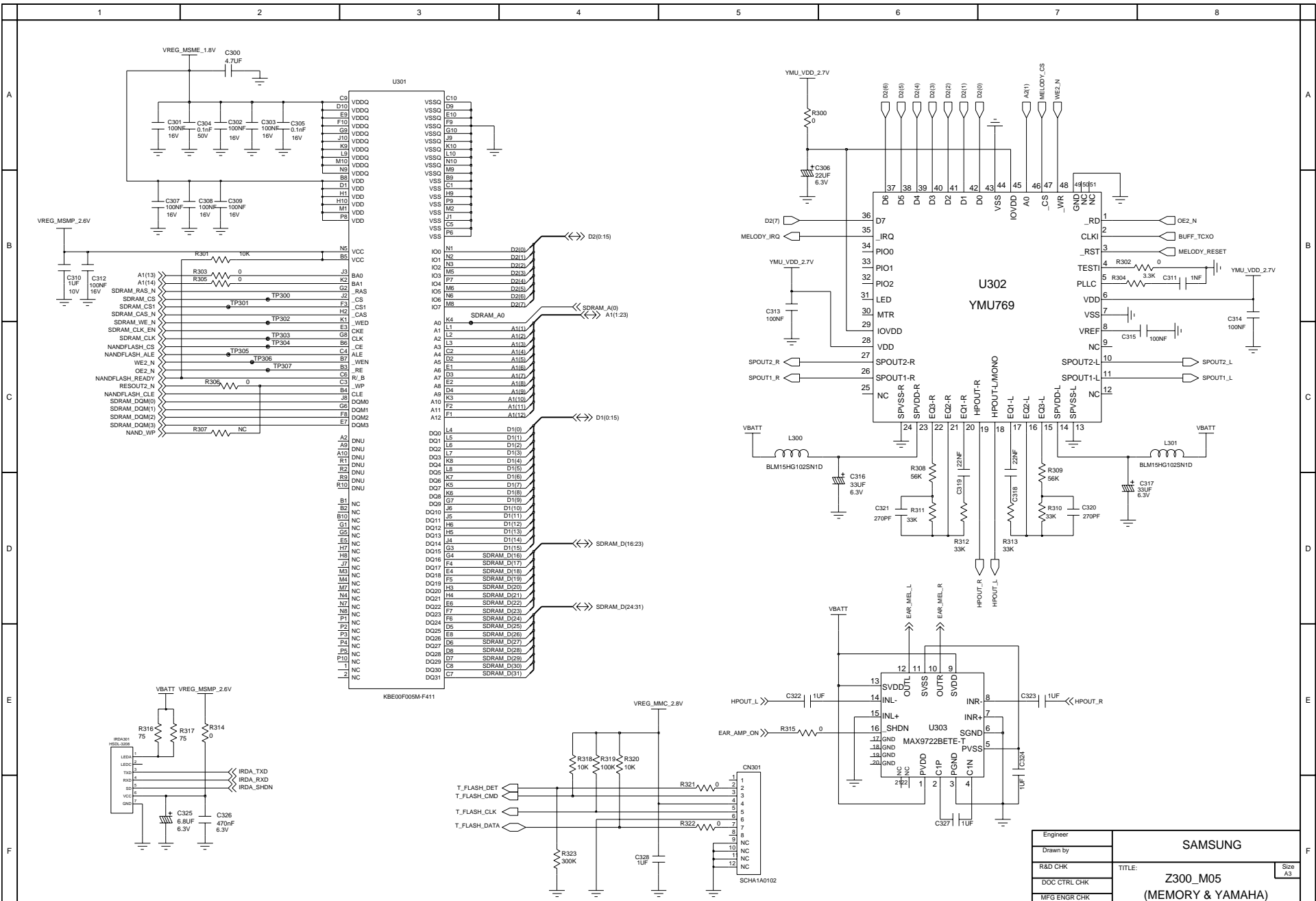
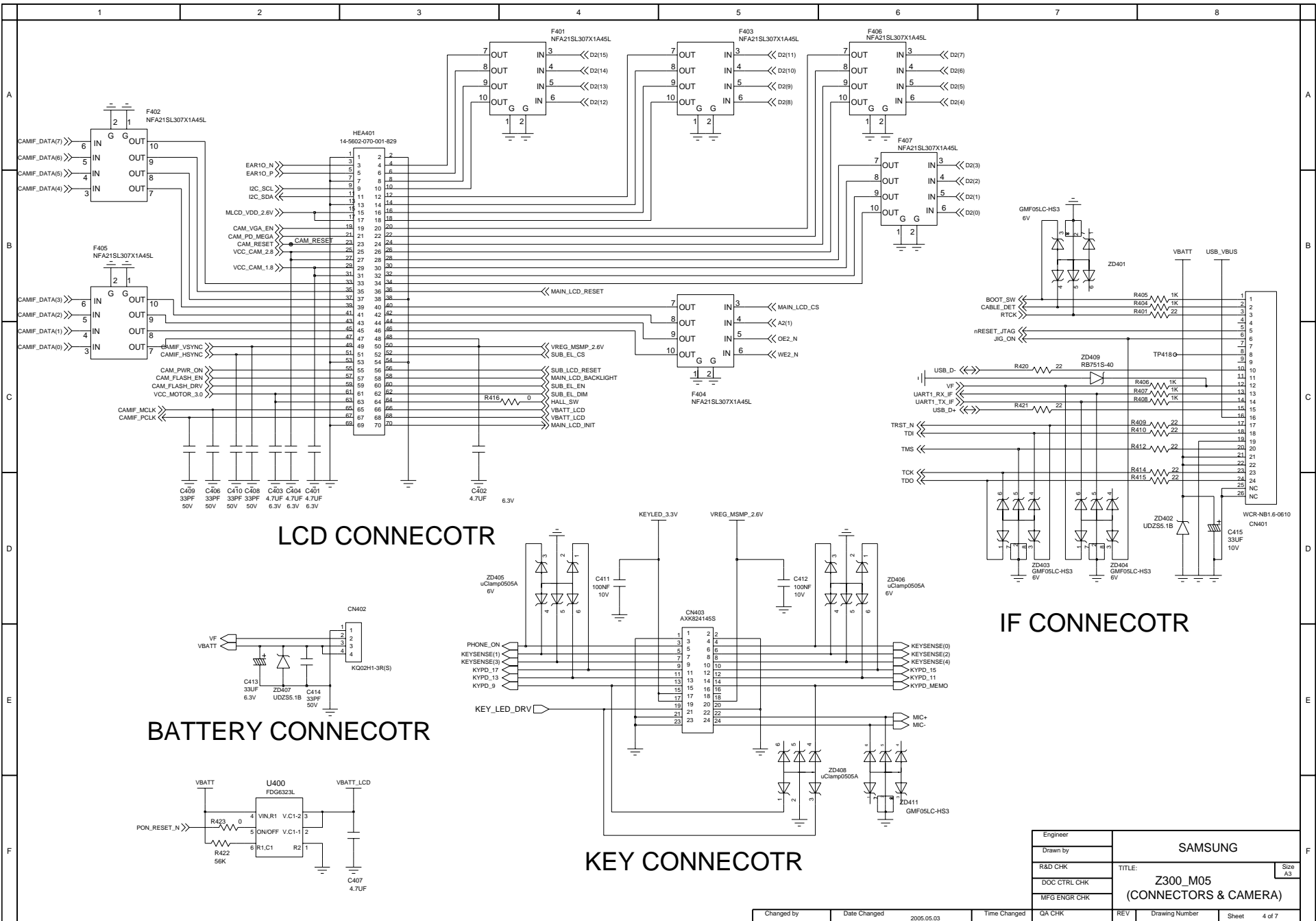


Engineer	SAMSUNG					
Drawn by						
R&D CHK	TITLE: Z300_M05(PM6650)					
DOC CTRL CHK	MFG ENGR CHK					
QA CHK	REV	Sheet 2 of 7				
Changed by	Date Changed 2005.05.03	Time Changed				
<table border="1"> <tr> <td>H1</td> <td>H2</td> <td>H3</td> <td>H4</td> </tr> </table>			H1	H2	H3	H4
H1	H2	H3	H4			





Engineer	SAMSUNG	
Drawn by		
R&D CHK	TITLE: Z300_M05	Size A3
DOC CTRL CHK	(MEMORY & YAMAHA)	
MFG ENGR CHK		
Changed by	Date Changed	2005.05.03
QA CHK	REV	3 of 7



### LCD CONNECOTR

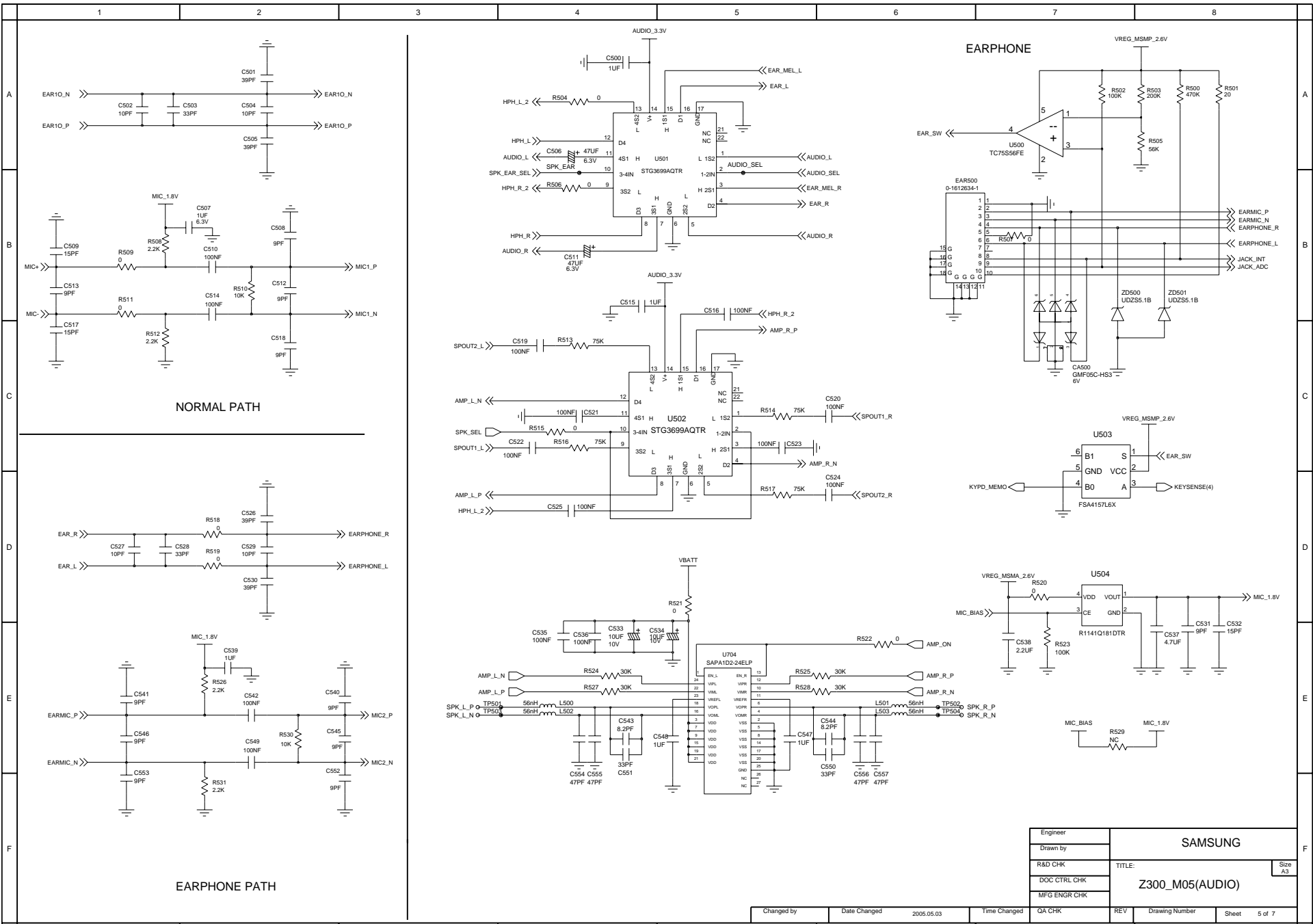
### IF CONNECOTR

### BATTERY CONNECOTR

### KEY CONNECOTR

Engineer	SAMSUNG		
Drawn by			
R&D CHK	TITLE:	Z300_M05	Size A3
DOC CTRL CHK	(CONNECTORS & CAMERA)		
MFG ENGR CHK			
REV	Drawing Number	Sheet 4 of 7	

Changed by	Date Changed	2005.05.03	Time Changed	QA CHK	REV	Drawing Number	Sheet	4 of 7
------------	--------------	------------	--------------	--------	-----	----------------	-------	--------



**NORMAL PATH**

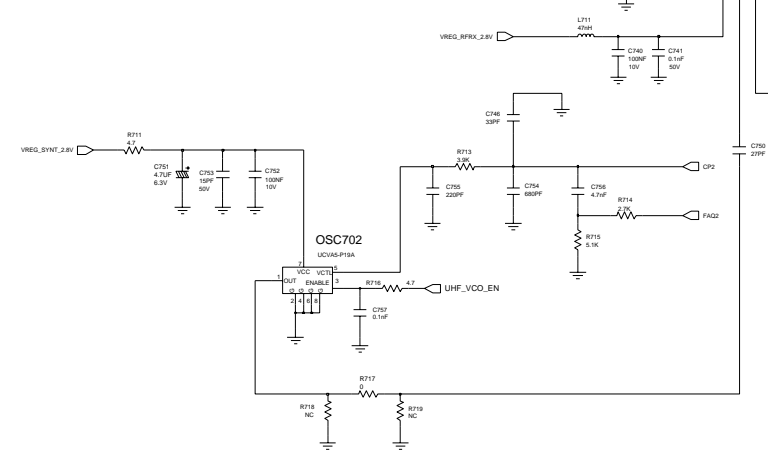
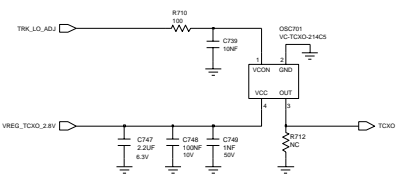
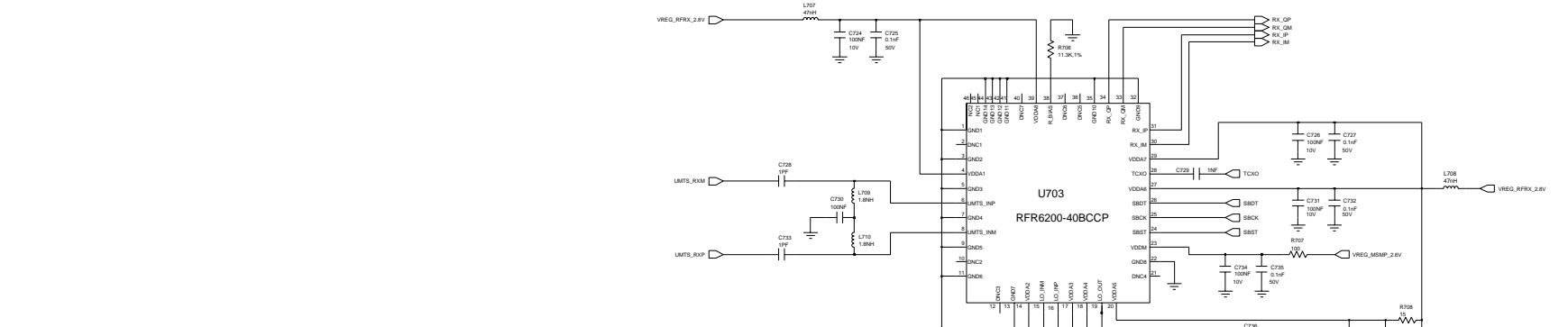
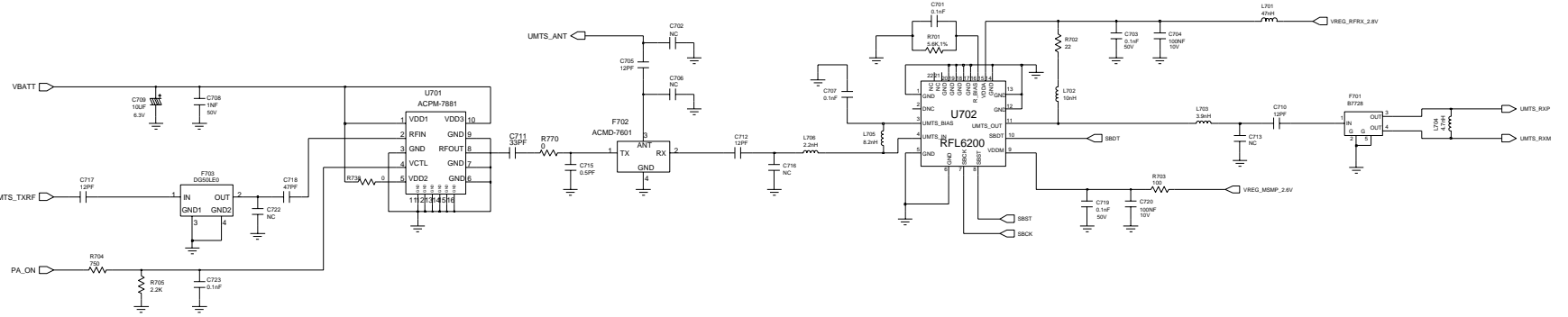
**EARPHONE PATH**

**EARPHONE**

Engineer	SAMSUNG		
Drawn by			
R&D CHK	TITLE:	Z300_M05(AUDIO)	Size A3
DOC CTRL CHK			
MFG ENGR CHK			
Changed by	Date Changed	2005.05.03	Time Changed
QA CHK	REV	Drawing Number	Sheet 5 of 7







Engineer	SAMSUNG		
Drawn by			
RF&D CKR	TITLE	Z300_M05	Sheet 7 of 7
DOC CTRL CKR	RFR6200		
MP/ENGR CKR			