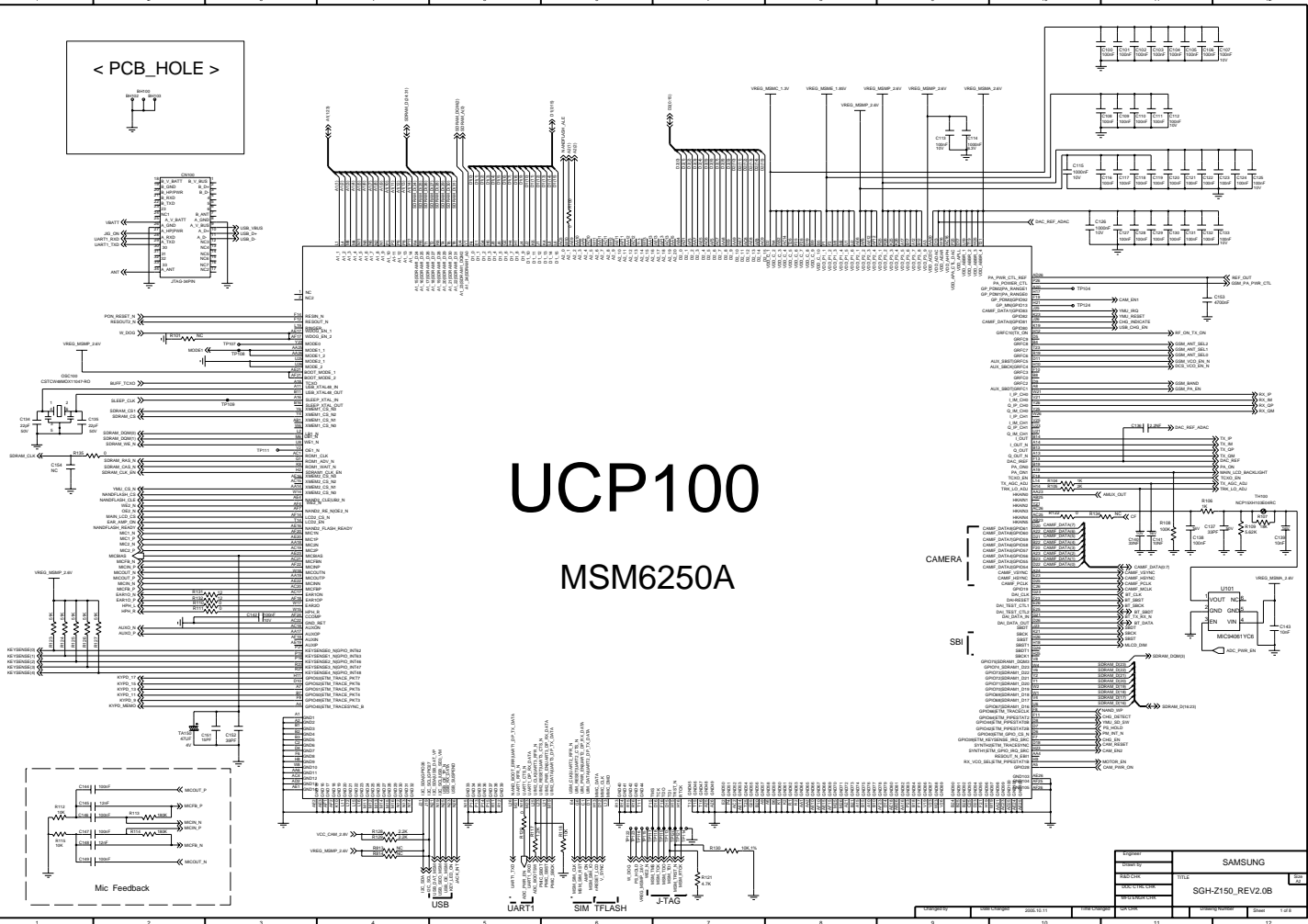


< PCB\_HOLE >

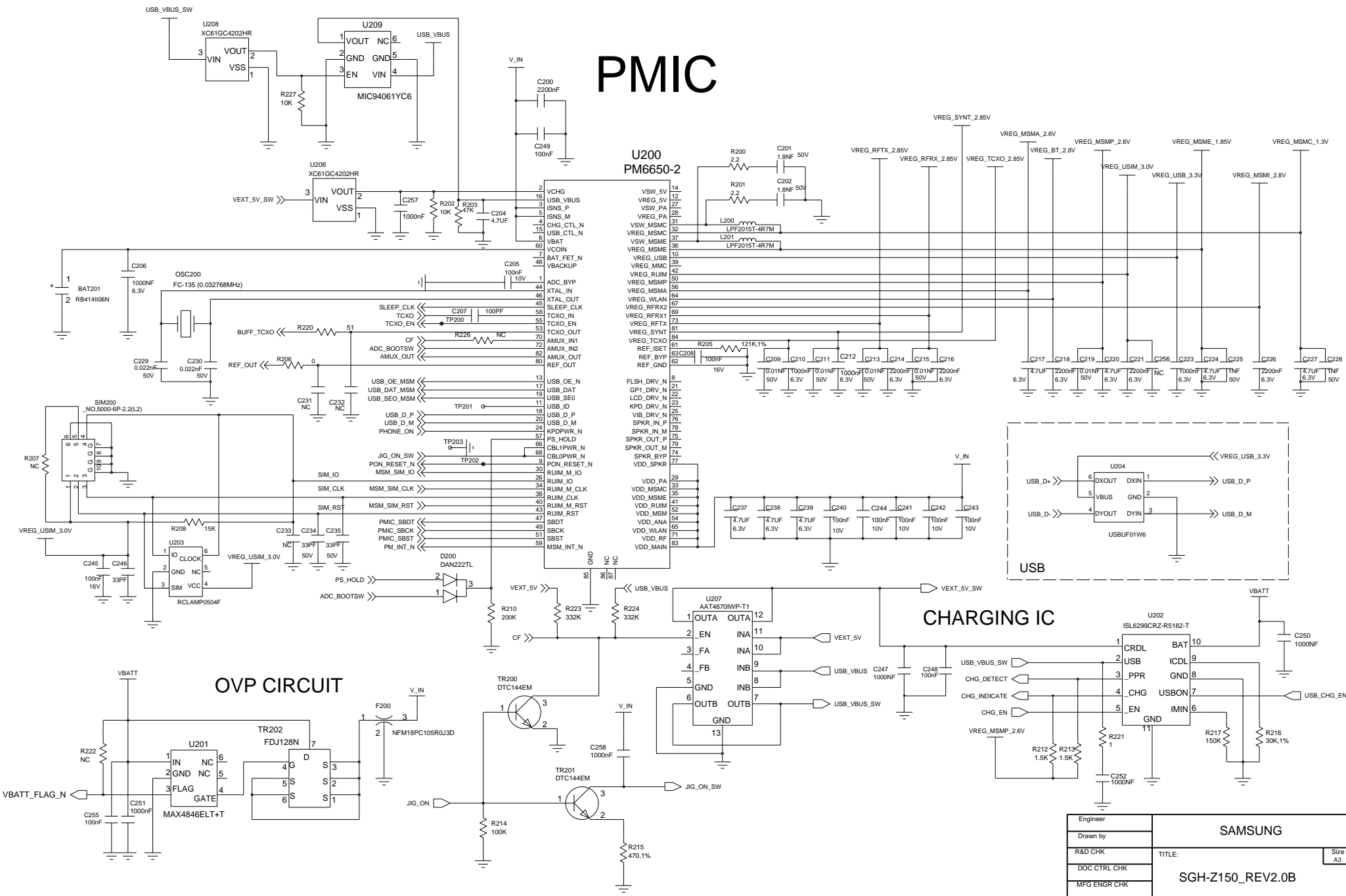


# UCP100

## MSM6250A

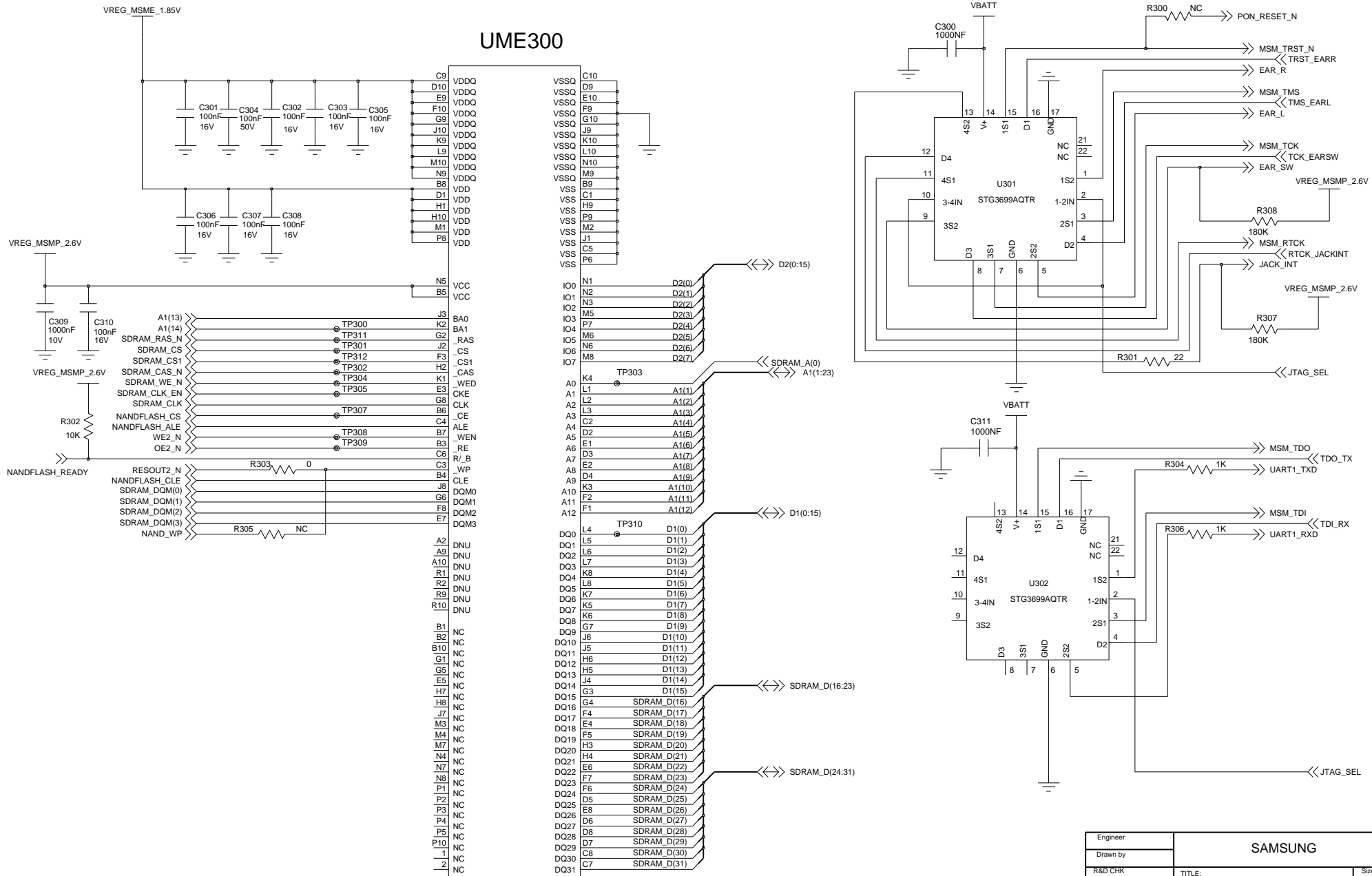
COMPANY	SAMSUNG
DESIGNER	
DATE	
FILE	SGH-Z150_REV2.0B
DESCRIPTION	
DESIGNER/CHKR	

# PMIC



Engineer	SAMSUNG		
Drawn by			
R&D CHK	TITLE:		
DOC CTRL CHK	SGH-Z150_REV2.0B		
MFG ENGR CHK	Size A3		
Changed by	Date Changed	Time Changed	Sheet 2 of 8
	2005.10.11		

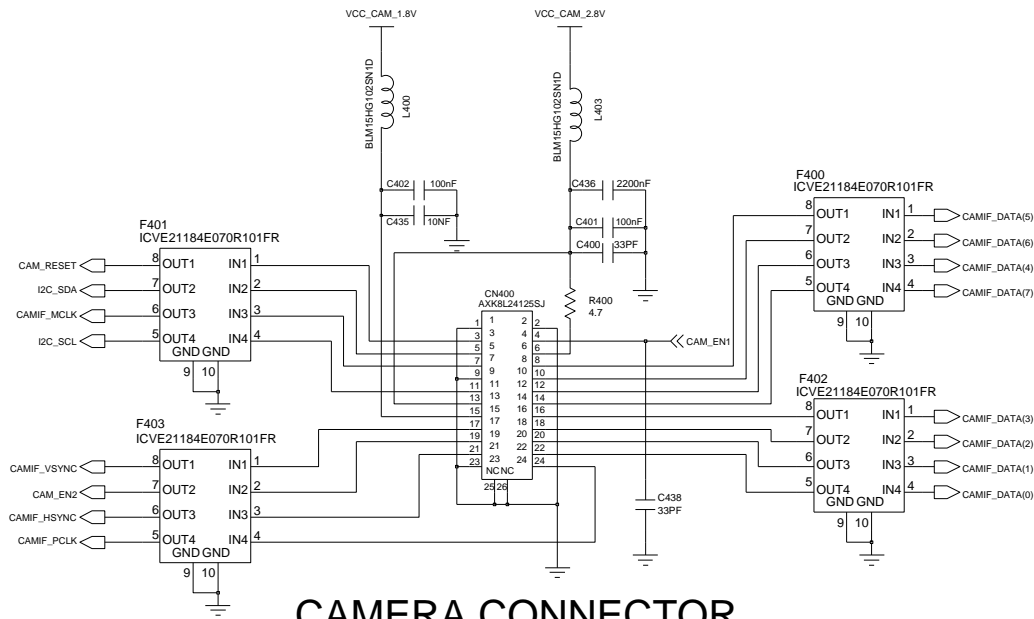
# UME300



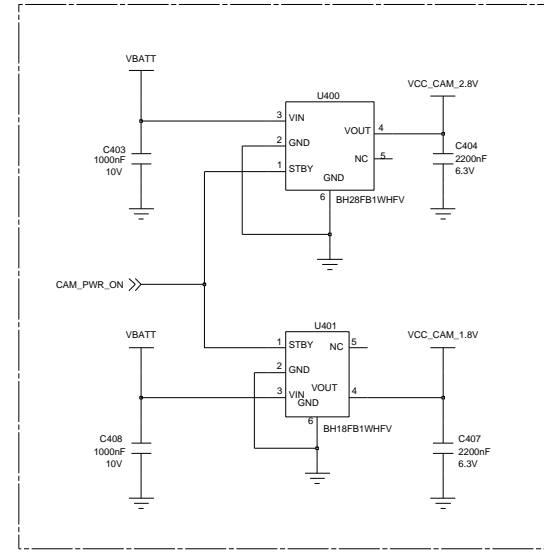
KBE00F005A-D411

Engineer	SAMSUNG		
Drawn by			
R&D CHK	TITLE:	Size A3	
DOC CTRL CHK	SGH-Z150_REV2.0B		
MFG ENGR CHK			

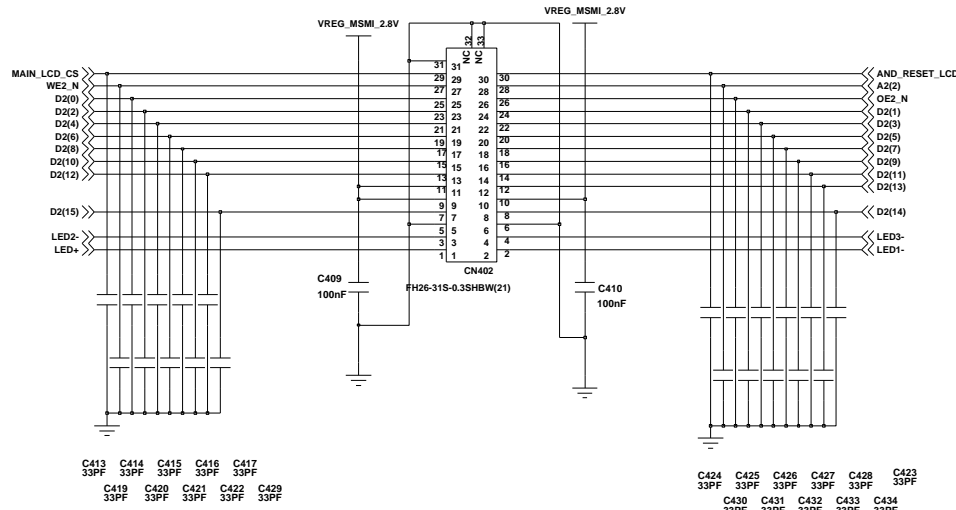
Changed by	Date Changed	2005.10.11	Time Changed	QA CHK	REV	Drawing Number	Sheet	3 of 8
------------	--------------	------------	--------------	--------	-----	----------------	-------	--------



**CAMERA CONNECTOR**



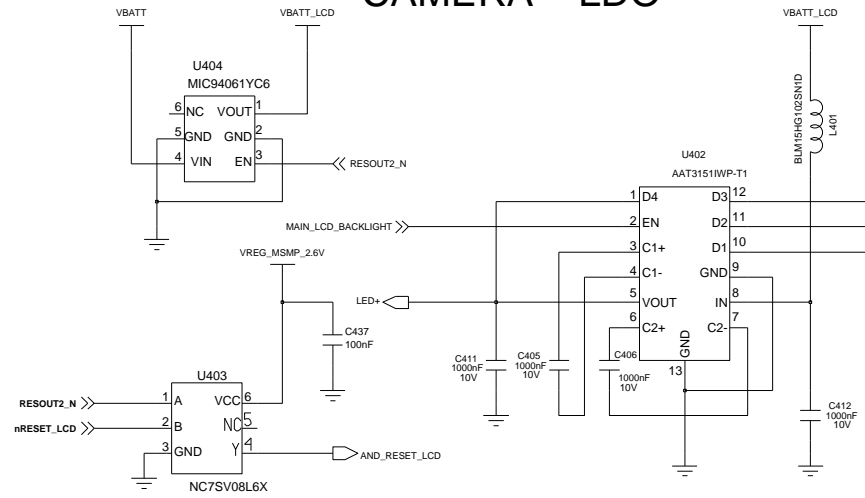
**CAMERA LDO**



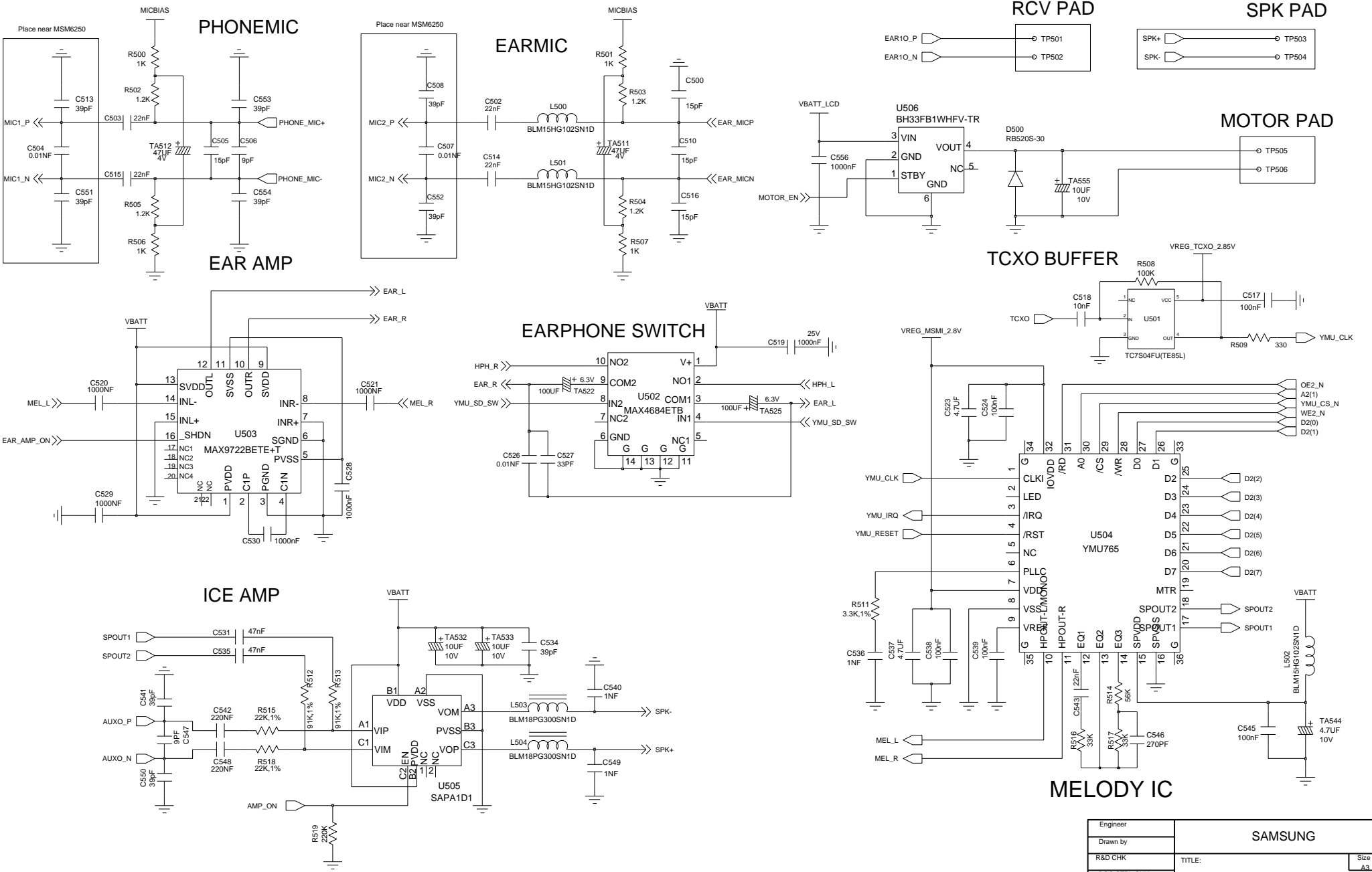
**LCD CONNECTOR**

C413 33PF C414 33PF C415 33PF C416 33PF C417 33PF  
 C419 33PF C420 33PF C421 33PF C422 33PF C429 33PF

C424 33PF C425 33PF C426 33PF C427 33PF C428 33PF C423 33PF  
 C430 33PF C431 33PF C432 33PF C433 33PF C434 33PF



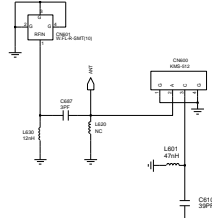
Engineer	SAMSUNG		
Drawn by			
R&D CHK	TITLE:	Size	A3
DOC CTRL CHK	SGH-Z150_REV2.0B		
MFG ENGR CHK			
Changed by	Date Changed	Time Changed	Sheet 4 of 8
	2005.10.09		



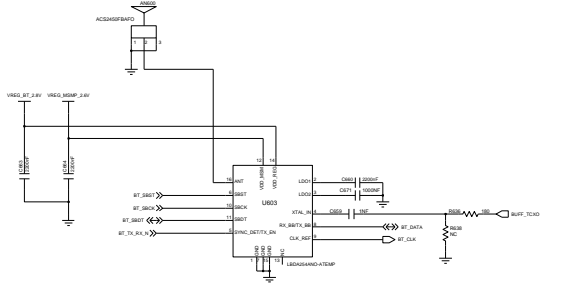
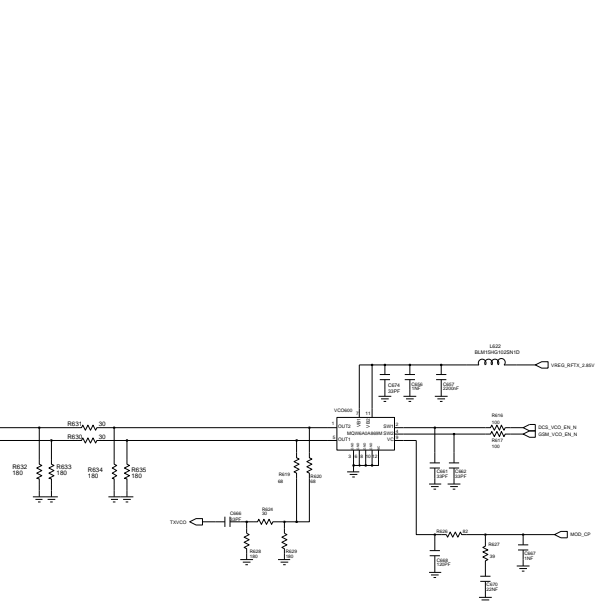
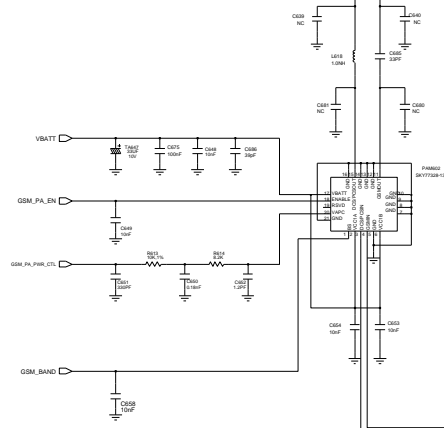
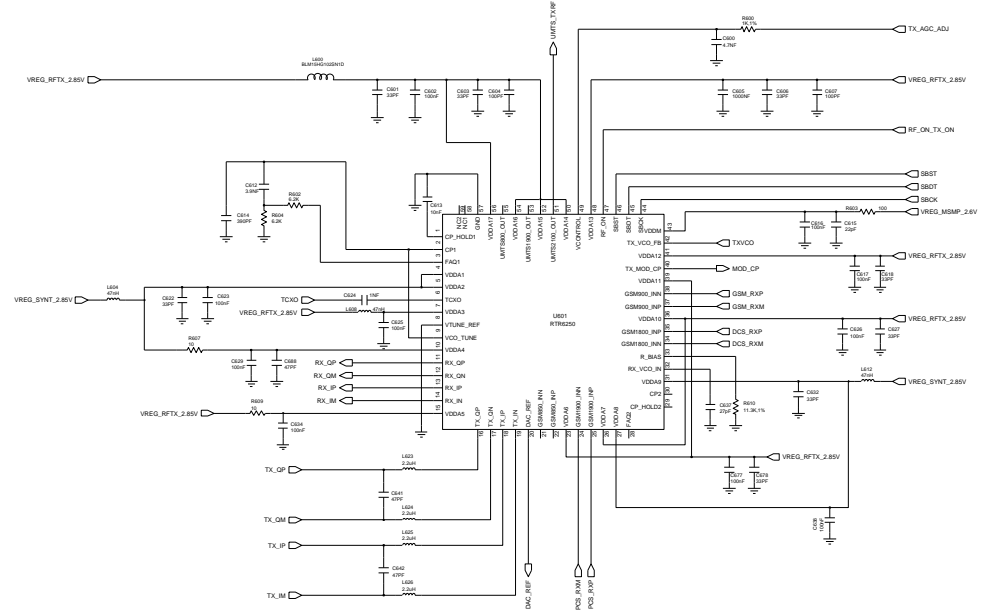
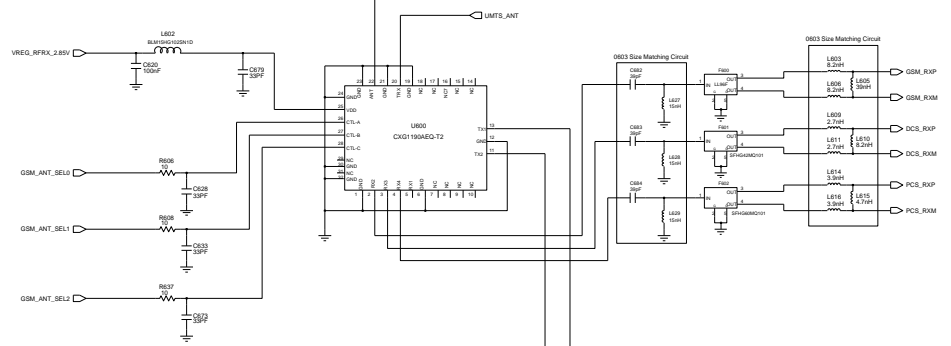
Engineer	SAMSUNG		
Drawn by			
R&D CHK	TITLE:	Size A3	
DOC CTRL CHK	SGH-Z150_REV2.0B		
MFG ENGR CHK	REV	Drawing Number	Sheet 5 of 8

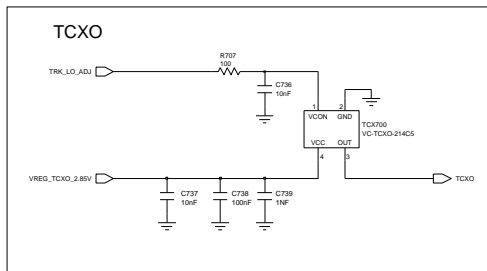
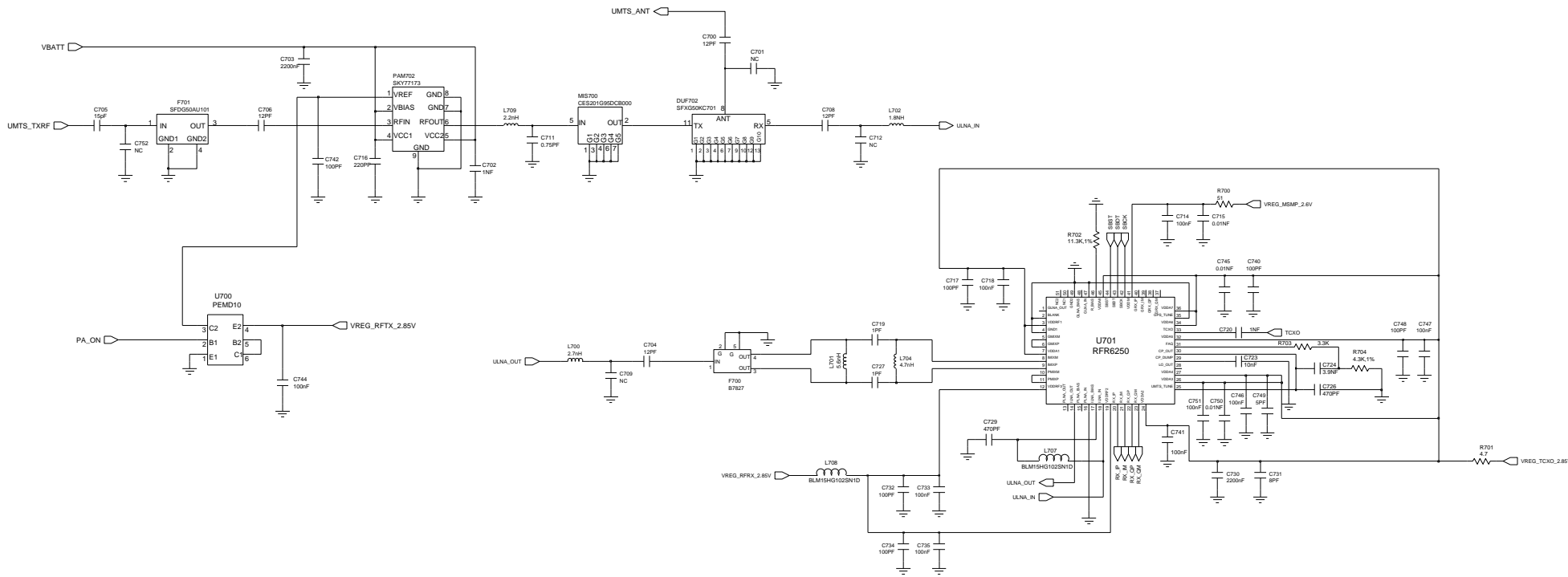
Changed by	Date Changed	2005.10.09	Time Changed	QA ENGR
------------	--------------	------------	--------------	---------

Should be placed near the left hinge



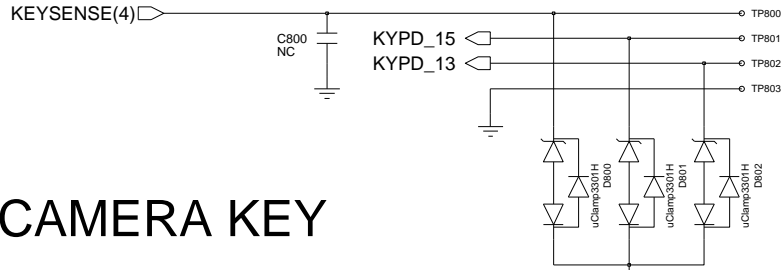
	MODE		
	ANT_SEL0	ANT_SEL1	ANT_SEL2
GSM850/900 TX	H	H	L
GSM1800/1900 TX	H	L	L
GSM1800 RX	L	H	H
GSM1900 RX	L	H	L
GSM900 RX	L	L	H
UMTS 2100 RA/TX	H	L	H



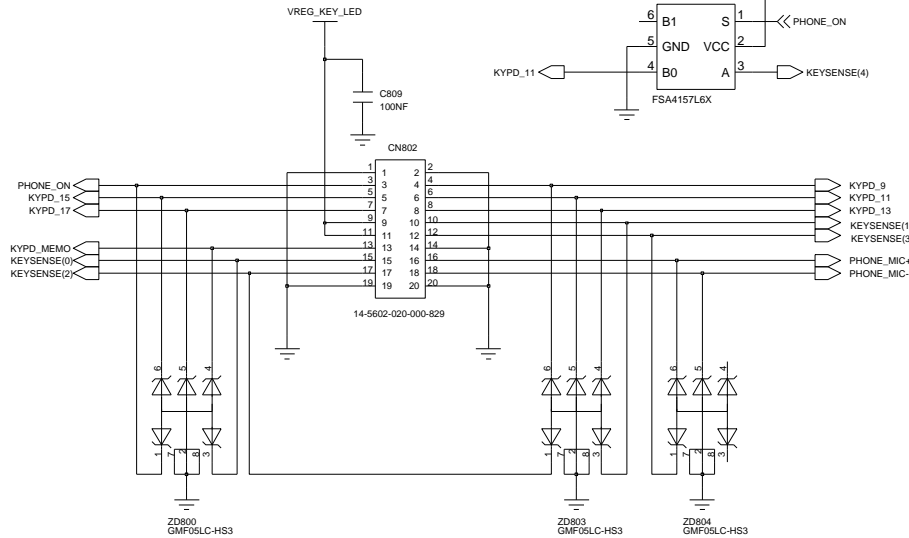
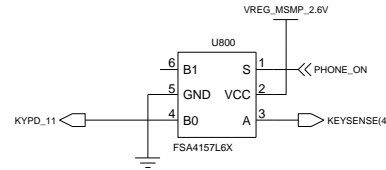
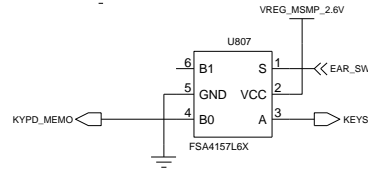
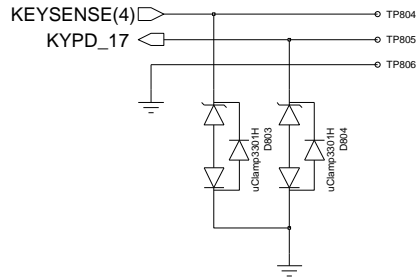


Engineer	SAMSUNG	
Drawn by	TITLE	Size
RAD CHK		25
DOC CTRL CHK	SGH-Z150_REV2.0B	
MFG ENGR CHK	REV	Drawing Number

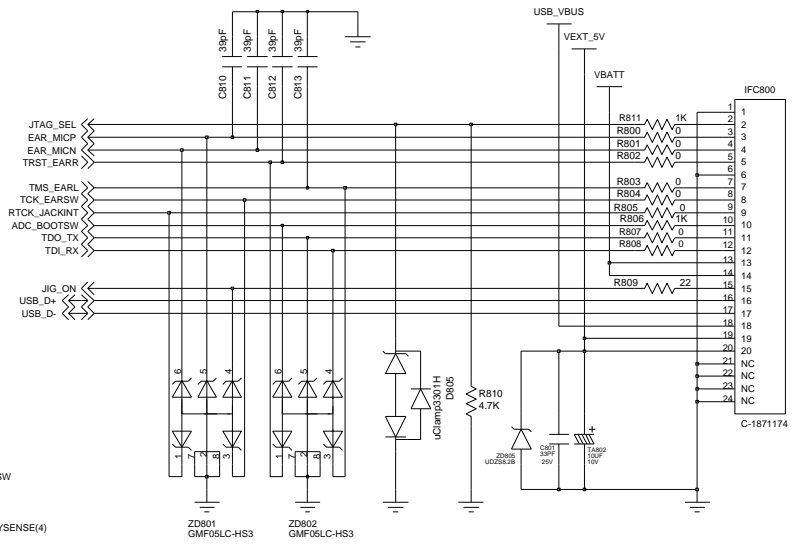
# VOLUME\_KEY



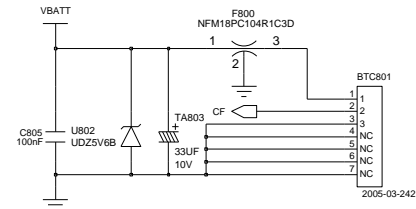
# CAMERA\_KEY



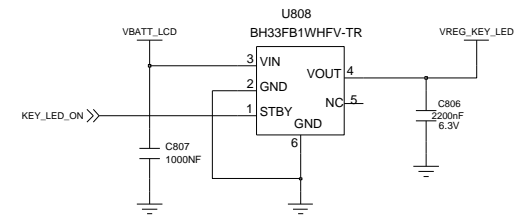
# KEY CONNECTOR



# IF CONNECTOR & EAR-JACK



# BATTERY CONNECTOR



# KEY BACKLIGHT

Engineer	SAMSUNG		
Drawn by			
R&D CHK	TITLE:	Size	A3
DOC CTRL CHK	SGH-Z150_REV2.0B		
MFG ENGR CHK			
Changed by	Date Changed	Time Changed	REV
	2005.10.09		
Drawing Number	Sheet	8 of 8	



