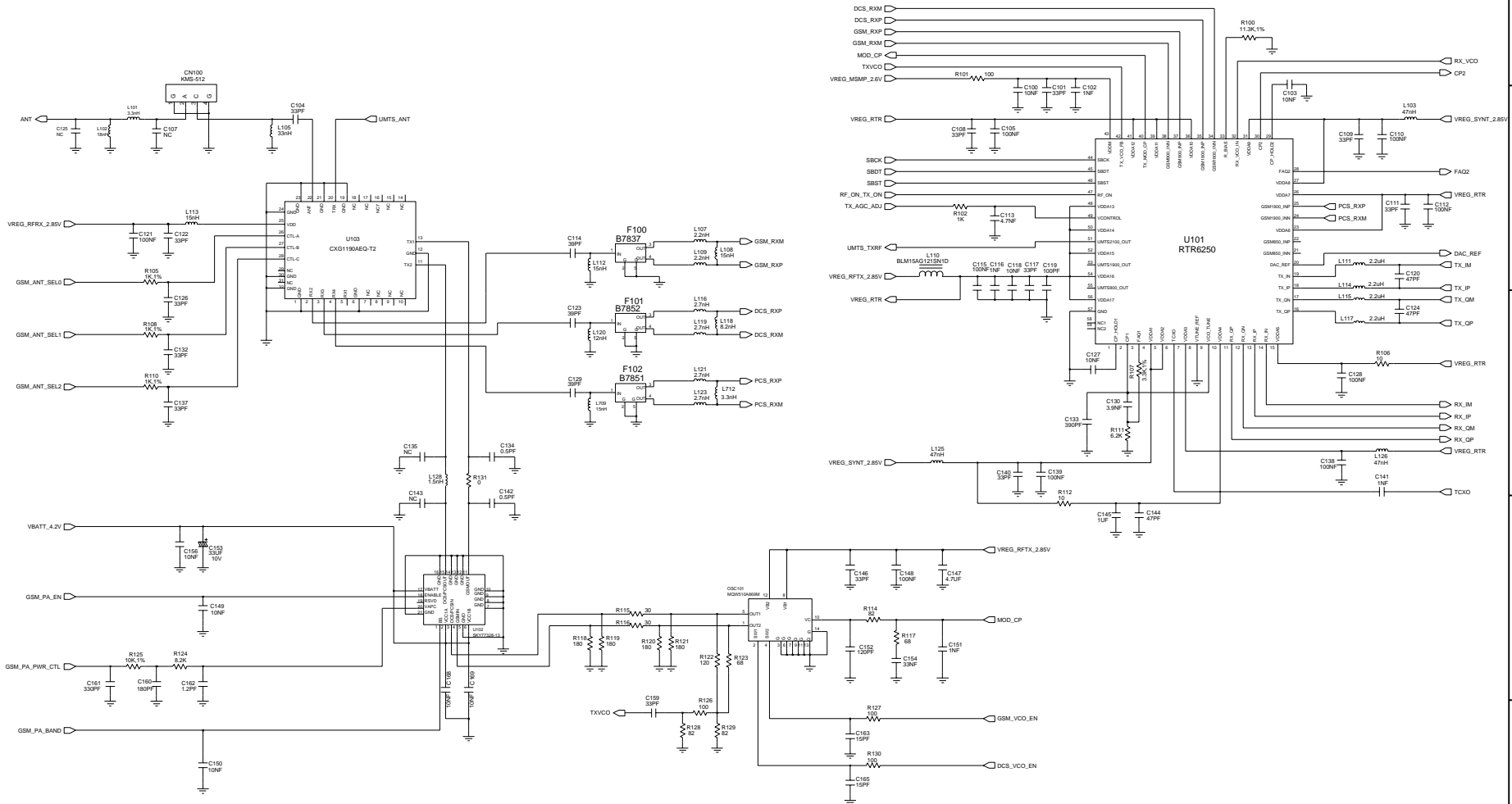
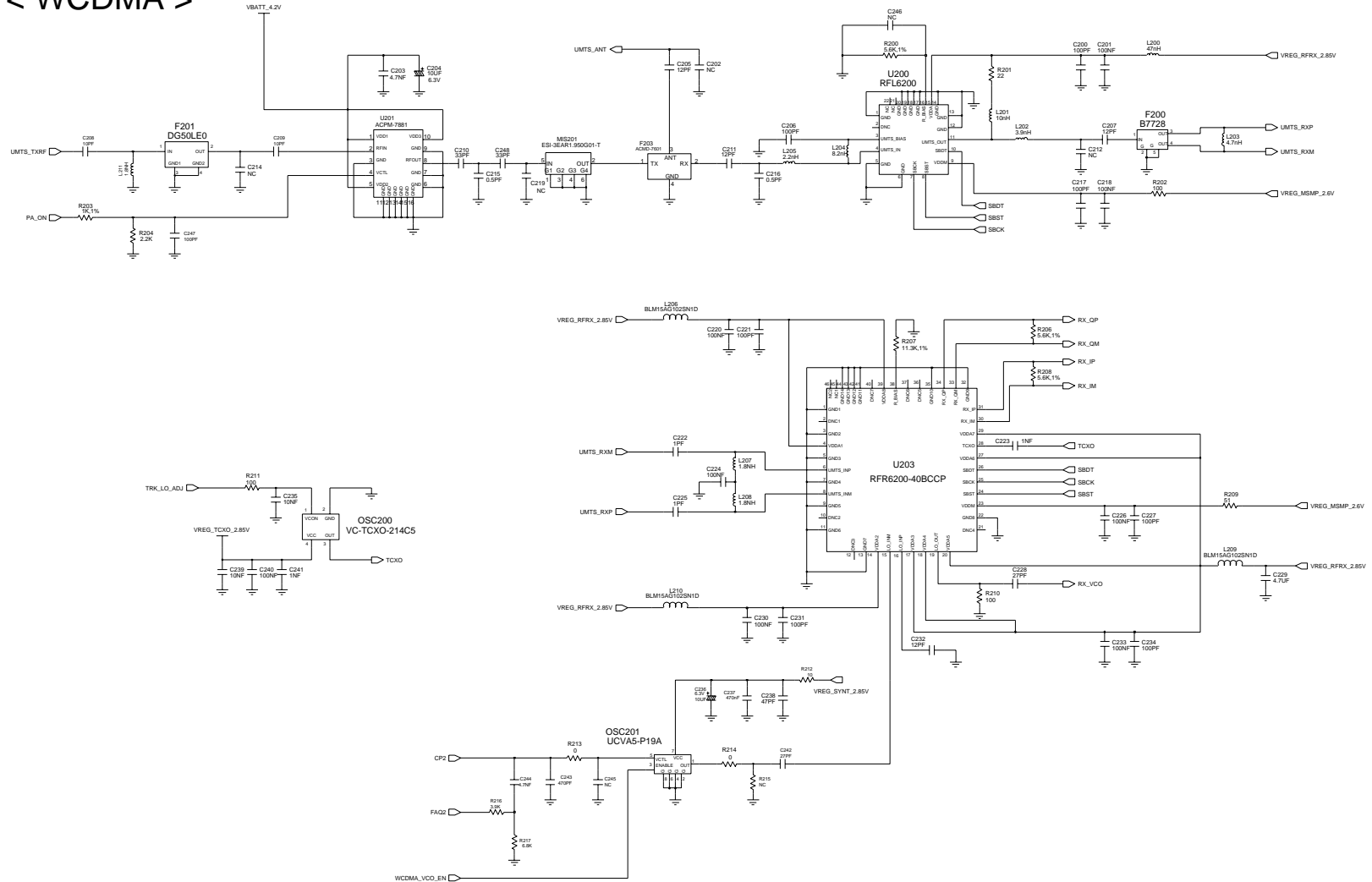


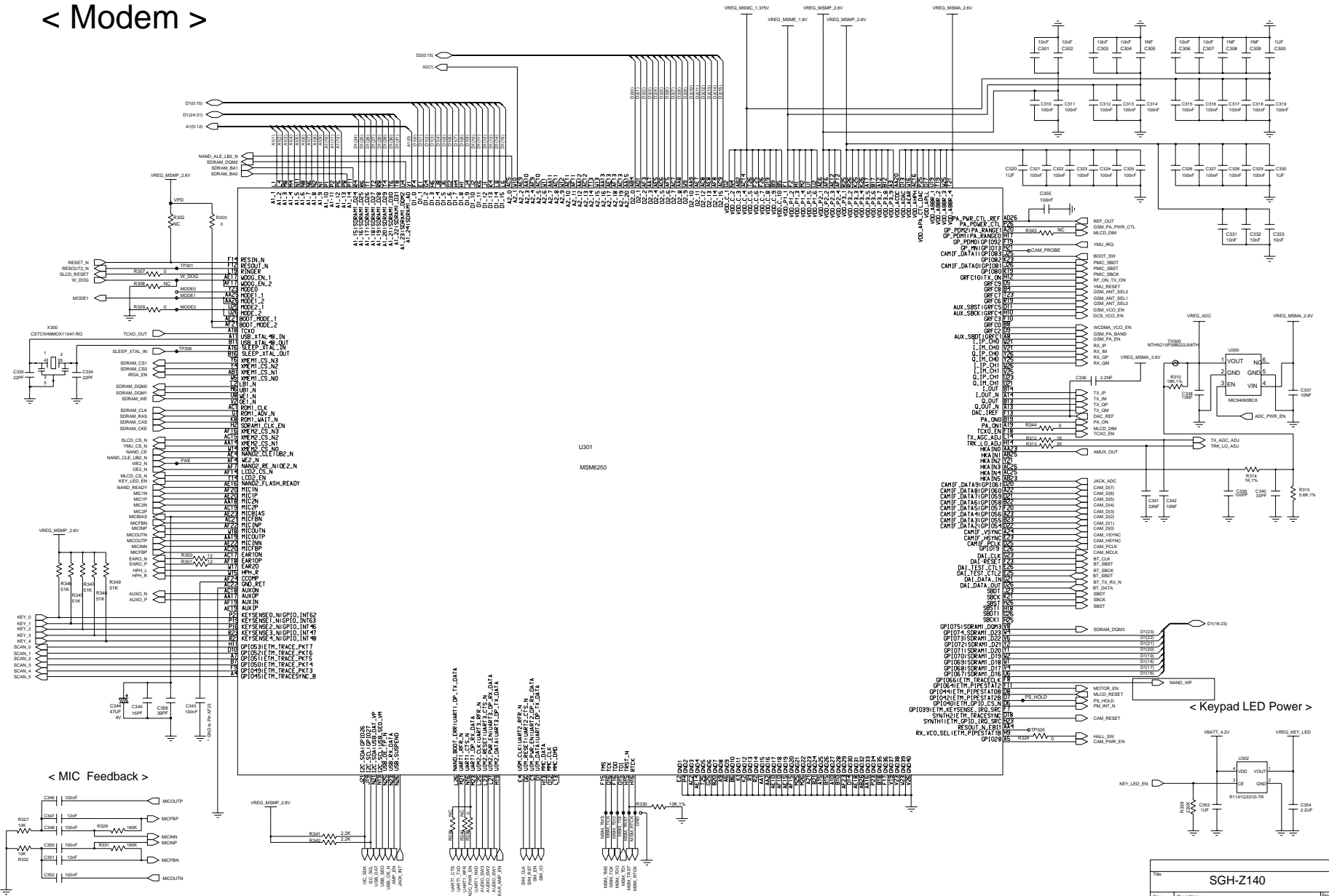
< GSM >



< WCDMA >



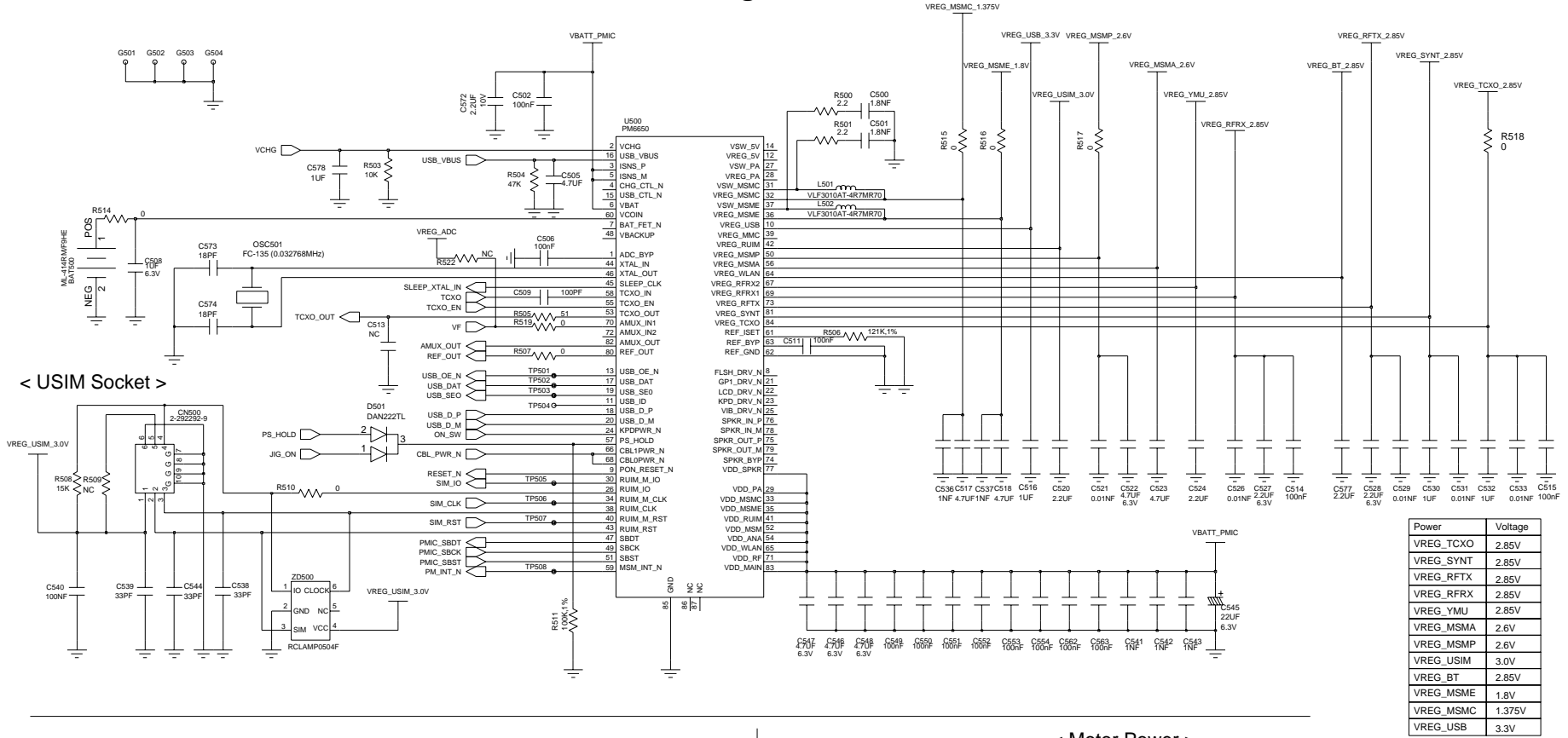
< Modem >



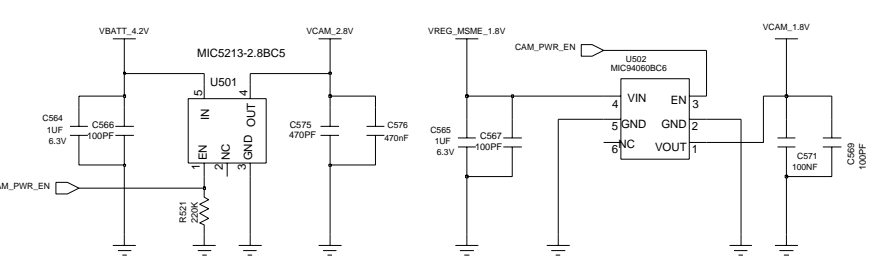
< MIC Feedback >

< Keypad LED Power >

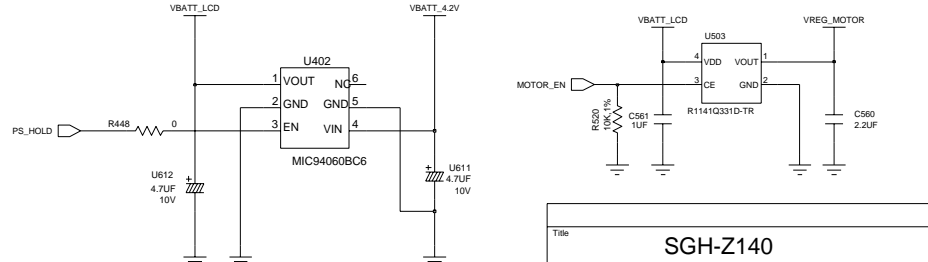
< Power Management IC >



< Camera Power >



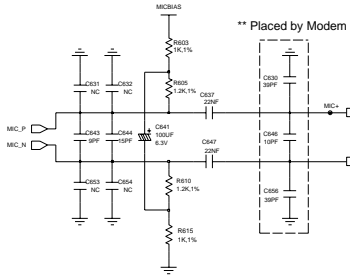
< Motor Power >



Title		SGH-Z140	
Size	A3	Sheet Name	Power
Rev.	2.0_M03	Date:	2005.06.15
Sheet	5 of 7		

< Audio >

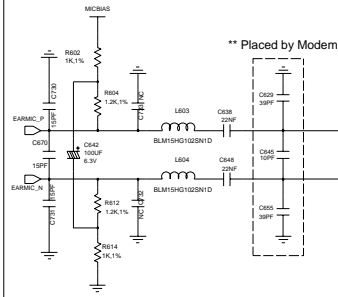
< Phone Mic Path >



** Audio Switch Control

	H	L
AUDIO_SW1	Audio	Melody
AUDIO_SW2	Receiver	Speaker
AUDIO_SW3	Audio	Voice

< Earphone Mic Path >

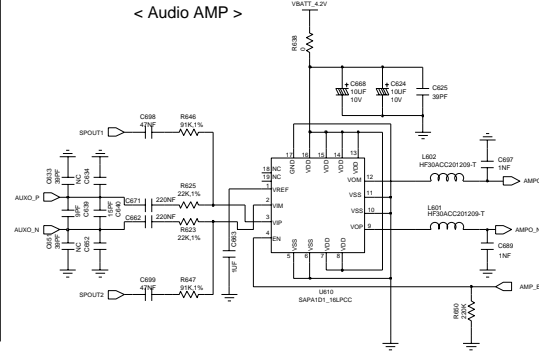


< Earphone Voice Path >

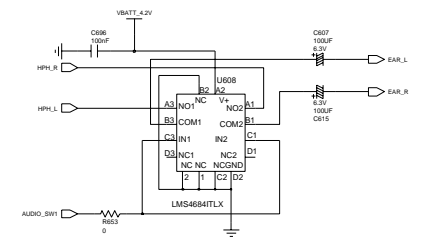
** Placed by STG3699(U605)



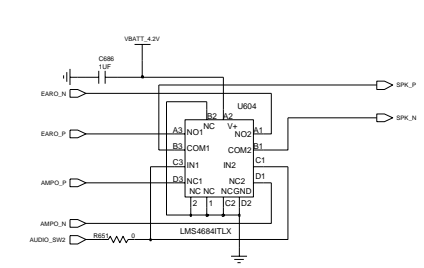
< Audio AMP >



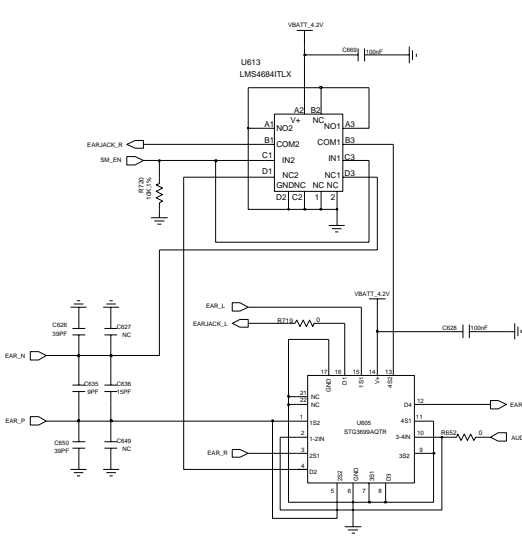
< Audio Switch 1 >



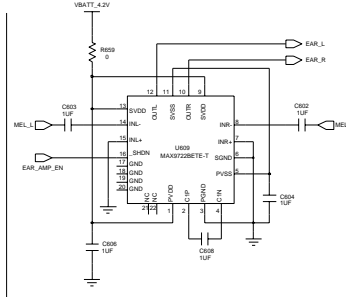
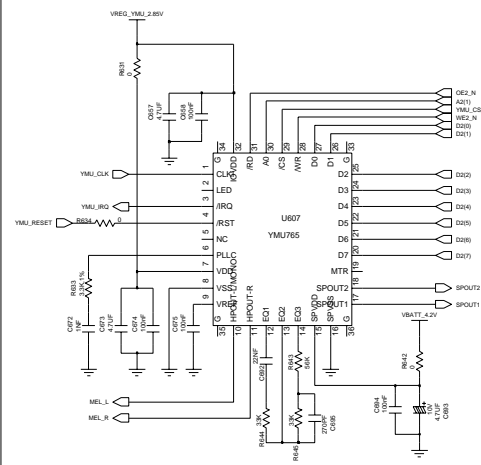
< Audio Switch 2 >



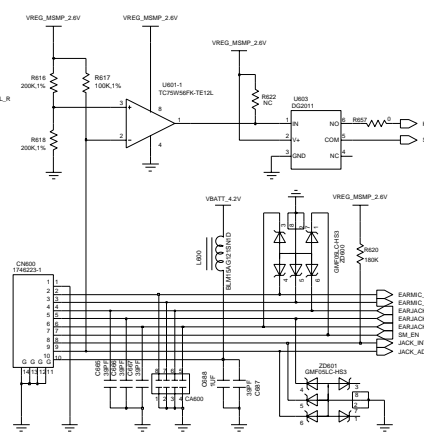
< Audio Switch 3 >

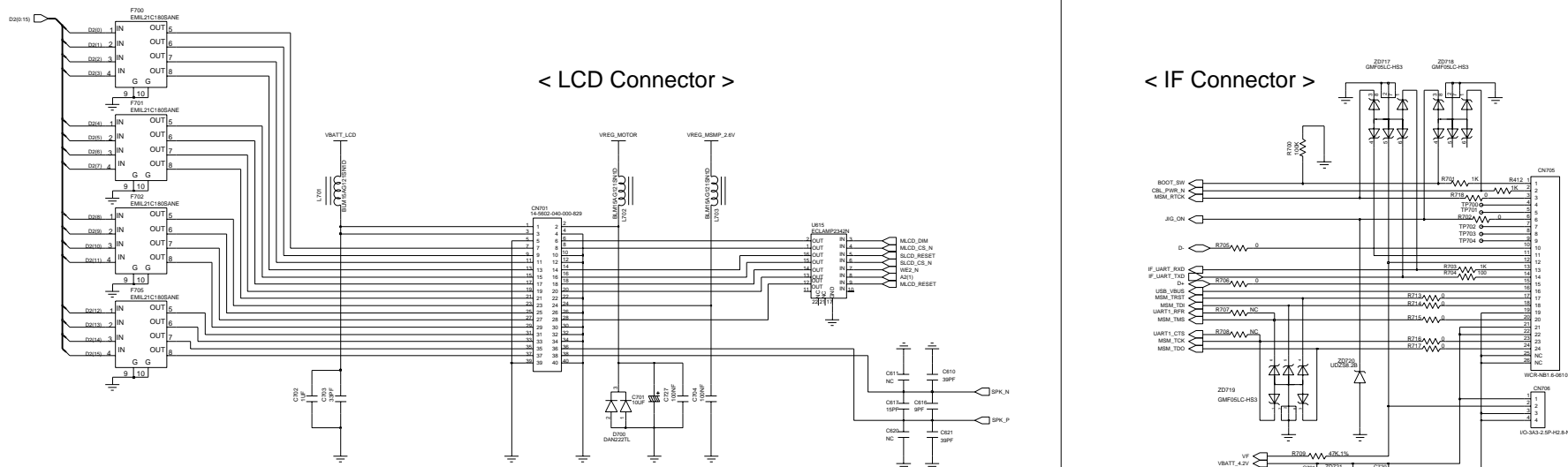


< Melody IC >



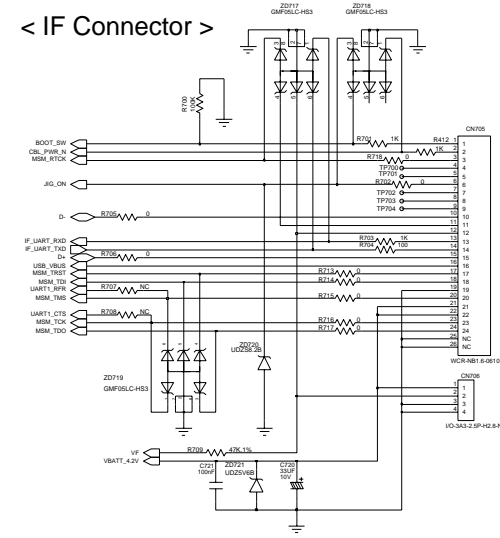
< Earjack >





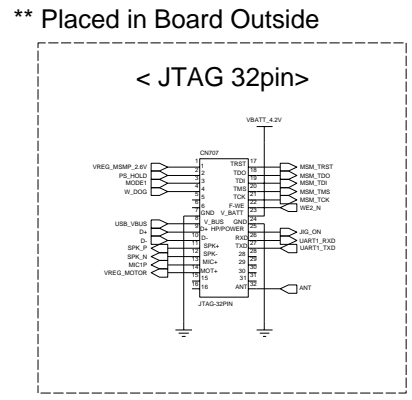
< LCD Connector >

< IF Connector >

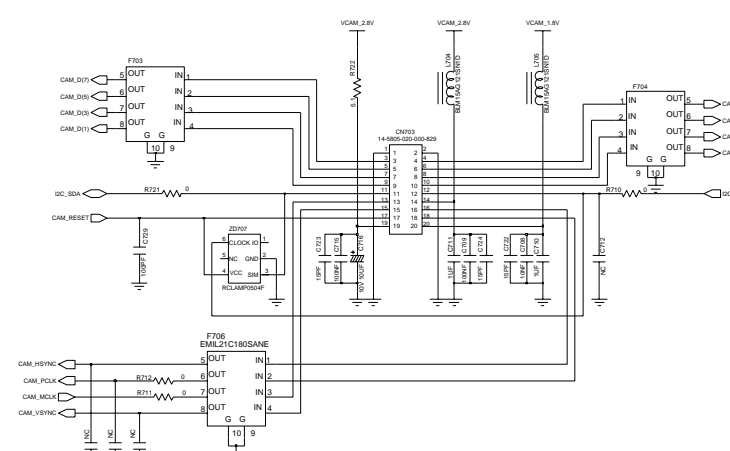
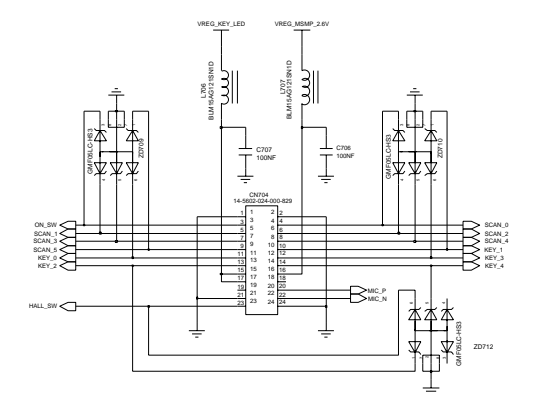


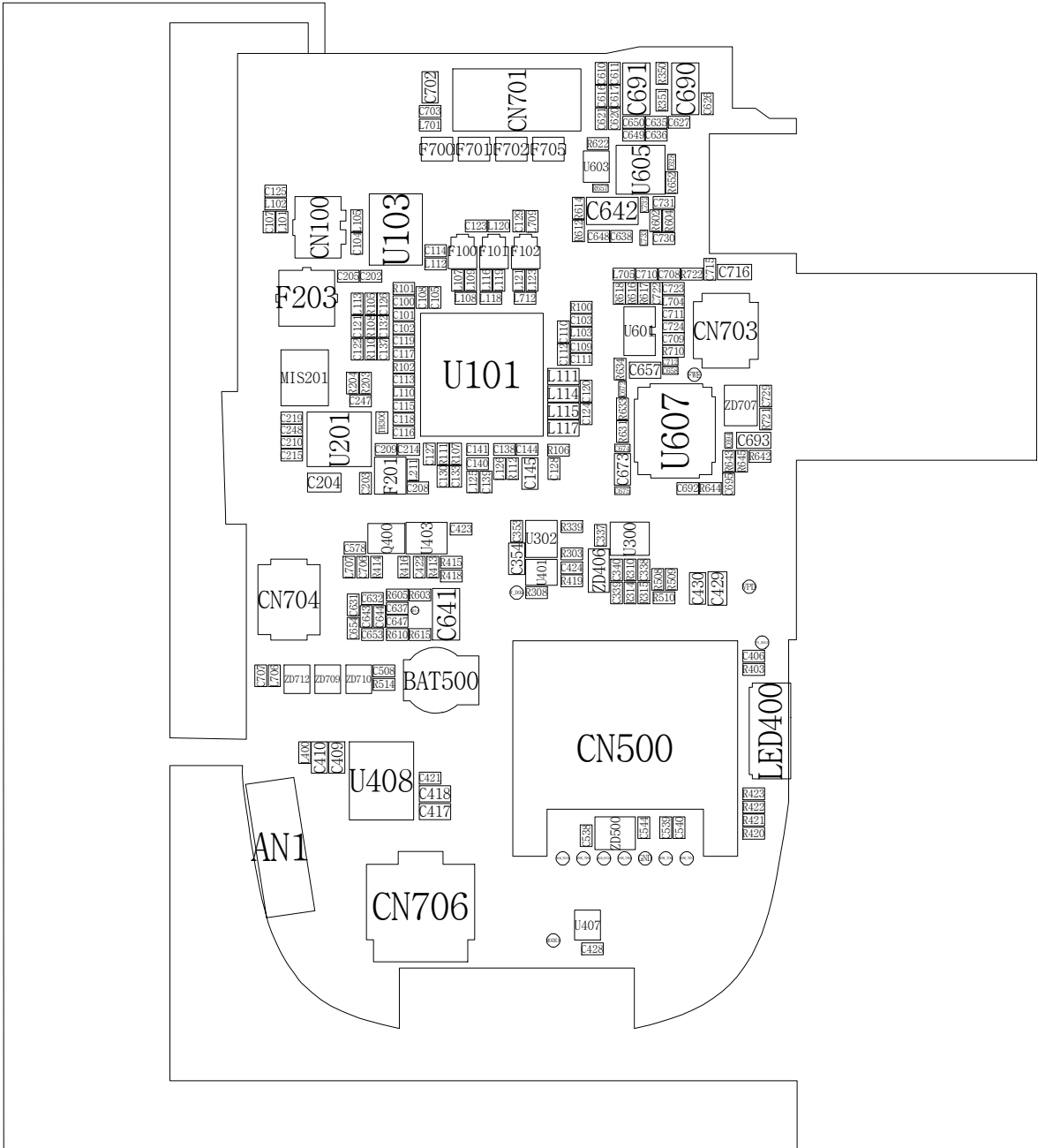
< Key Connector >

< Camera Connector >



< JTAG 32pin >





C702
C703
F701
CN701
F700 F701 F702 F703

C691
C690
U603
U605

CN100
U103
F100 F101 F102
C642
C643 C638

F203
MIS201
U201
U101
U604
C716
CN703

C204
F201
C145
U607
C657
C693
ZD707
C692 C644

CN704
Q400
U403
C641

U302
U406
U300
ZD406
C430
C429

BAT500

CN500
LED400
ZD500
U407

U408
C418
C417

AN1
CN706

