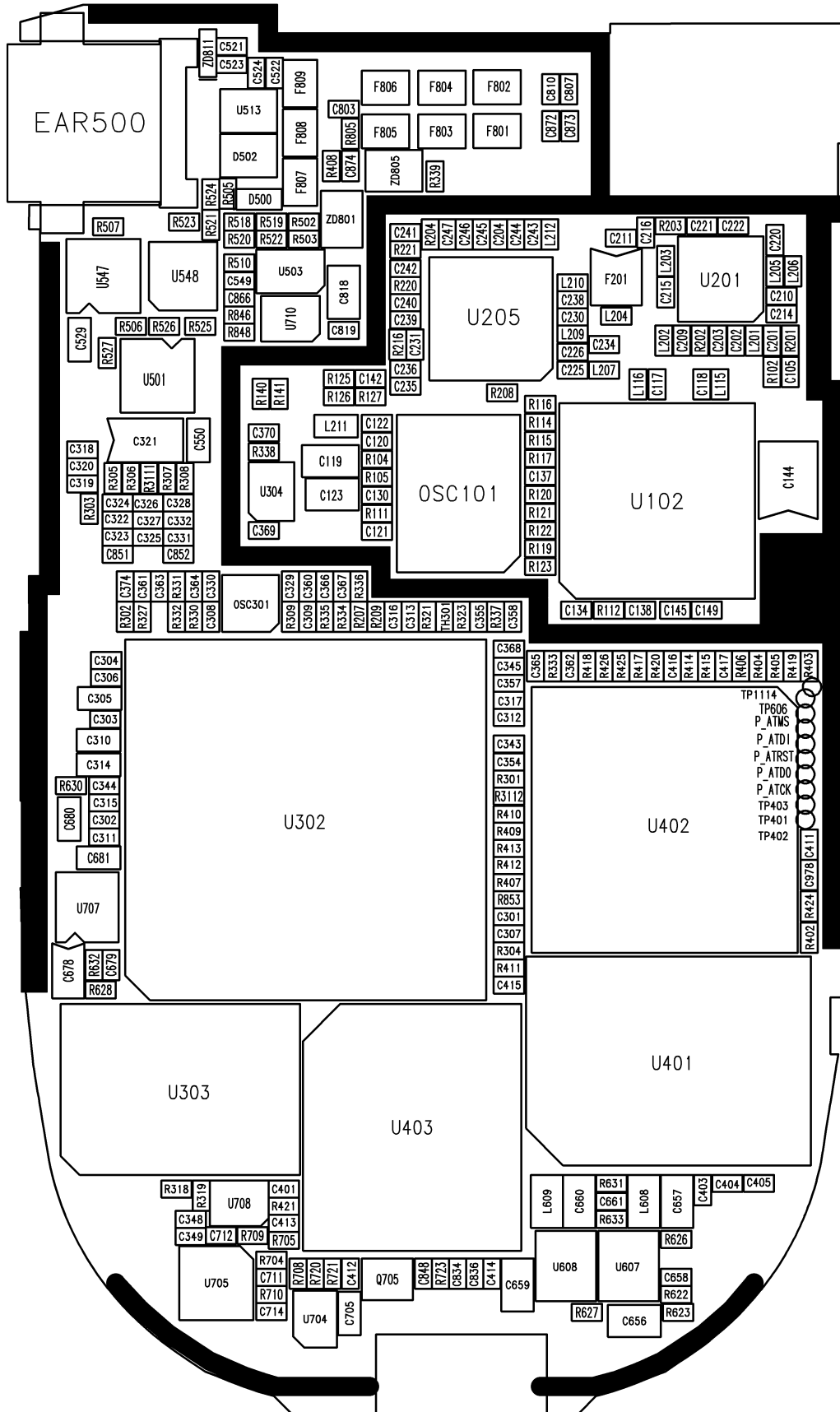
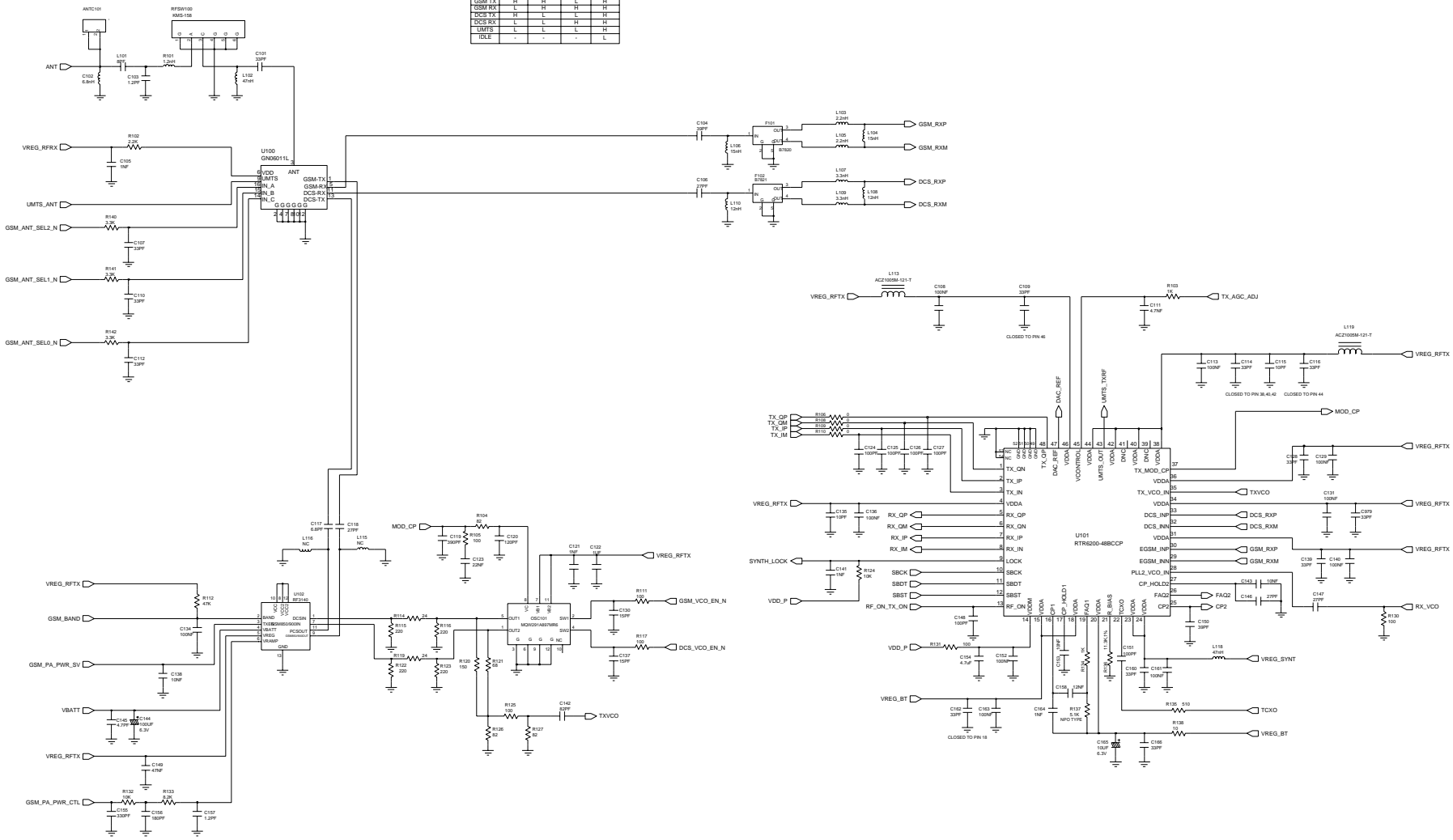
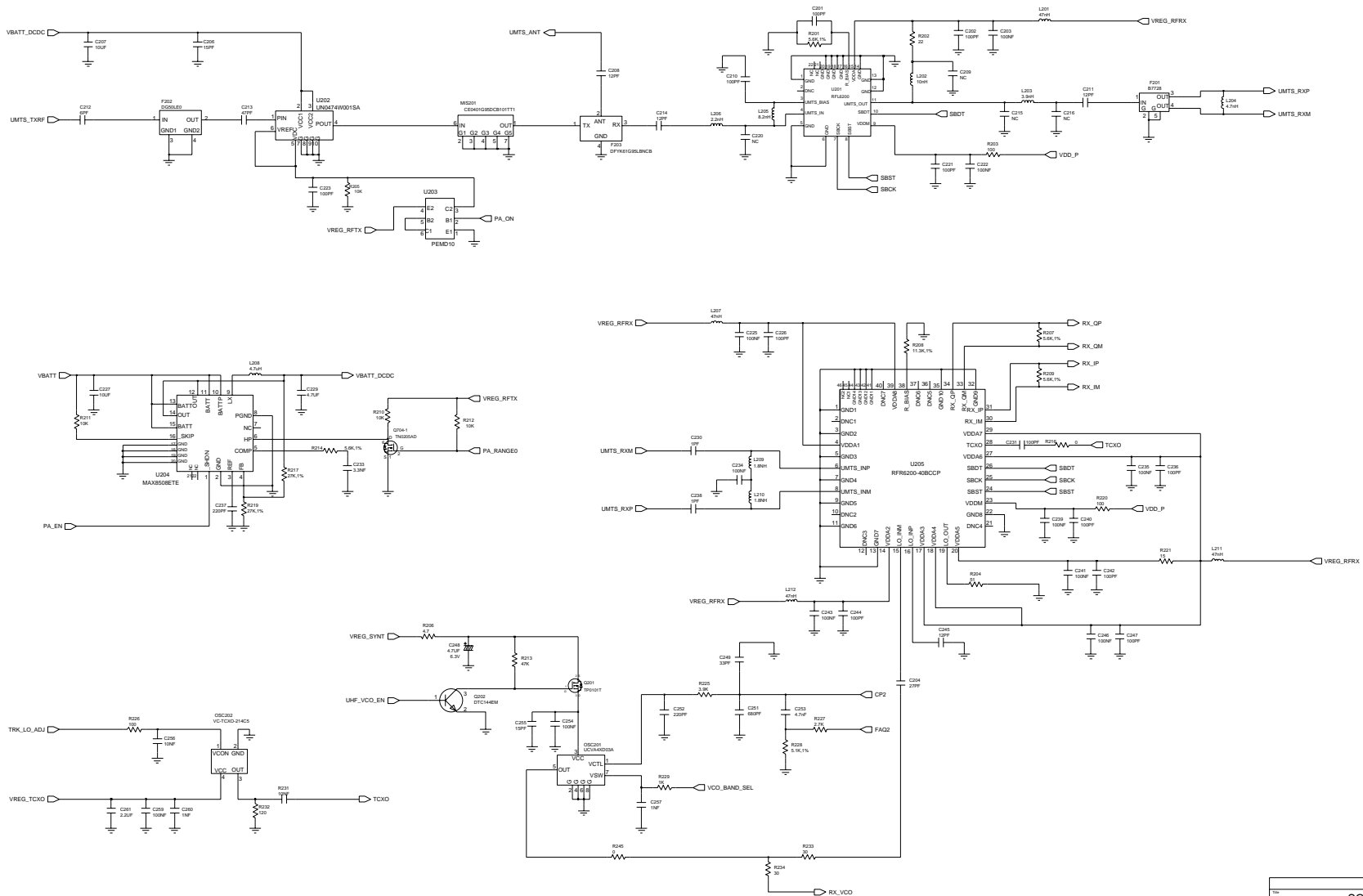


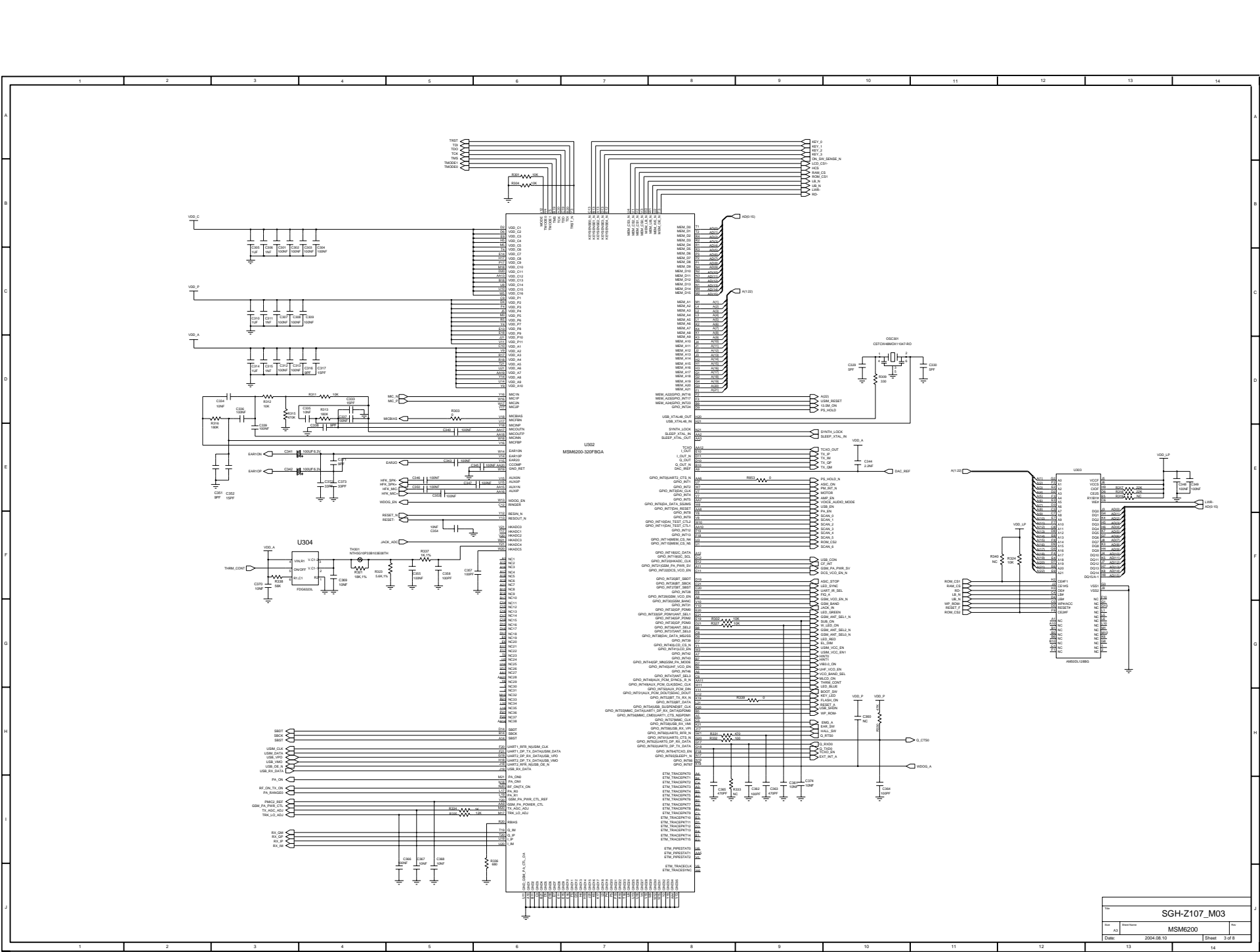
Z107 M03

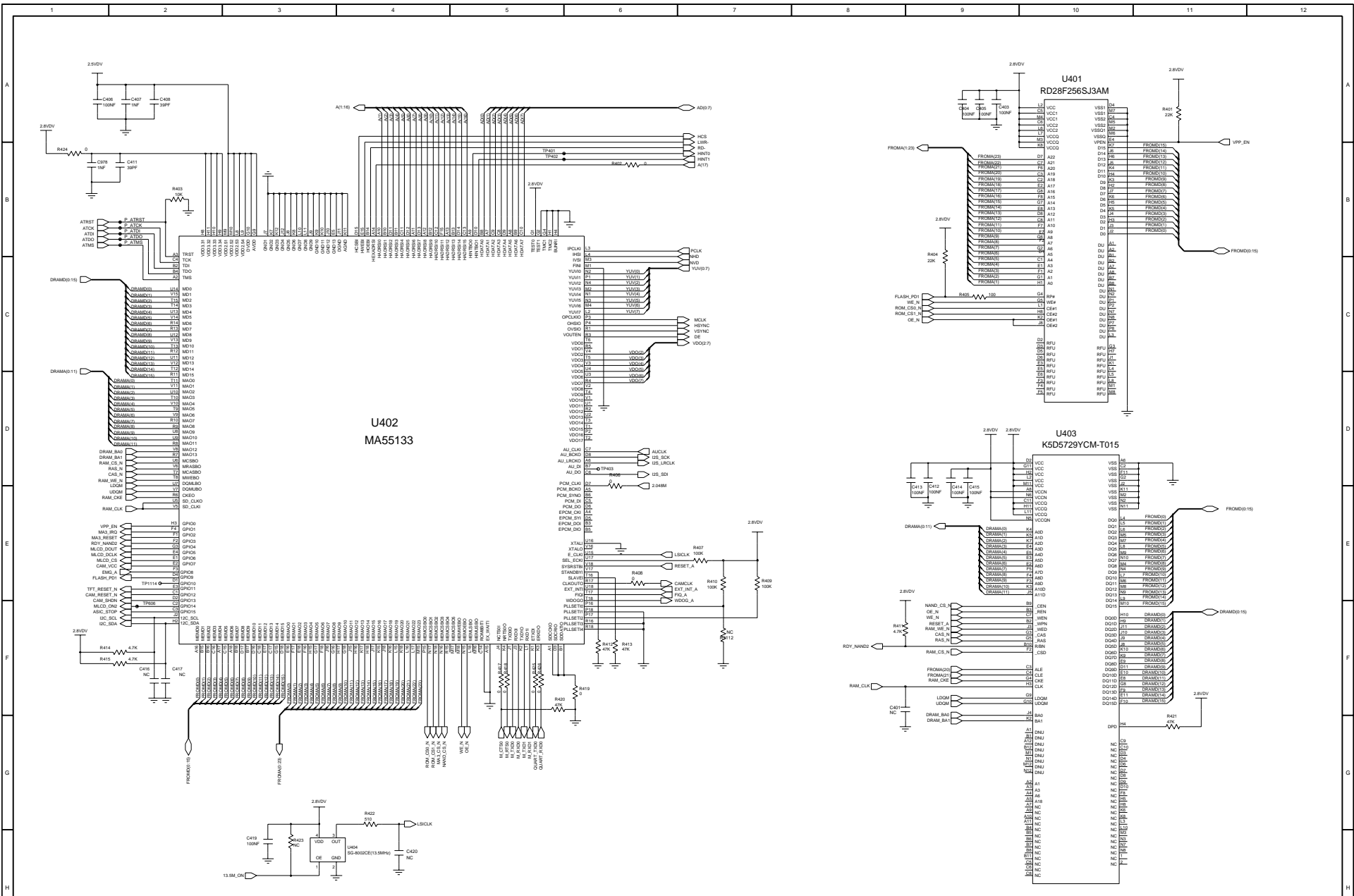


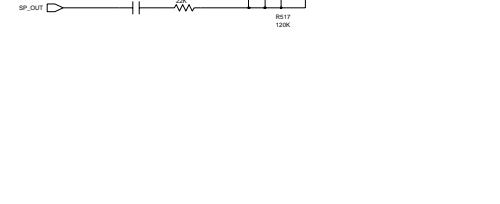
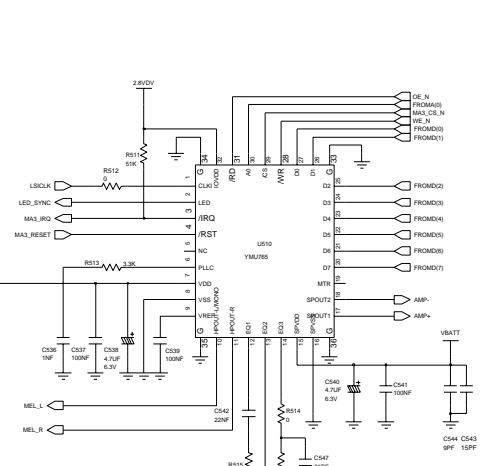
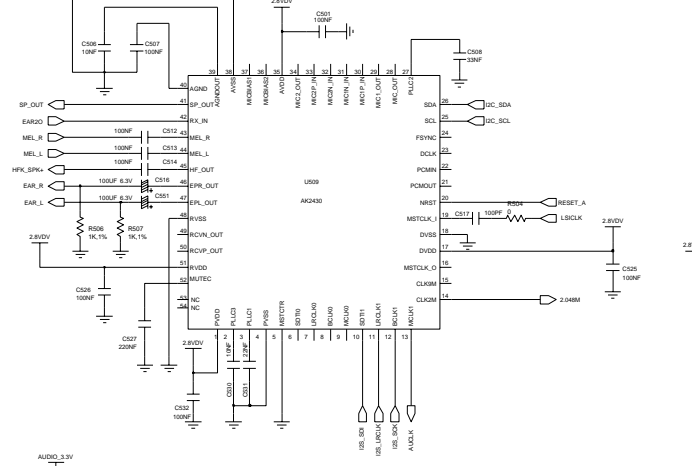
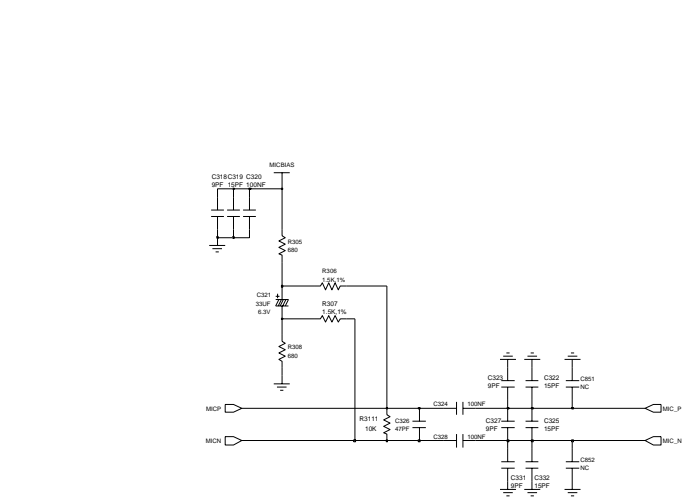
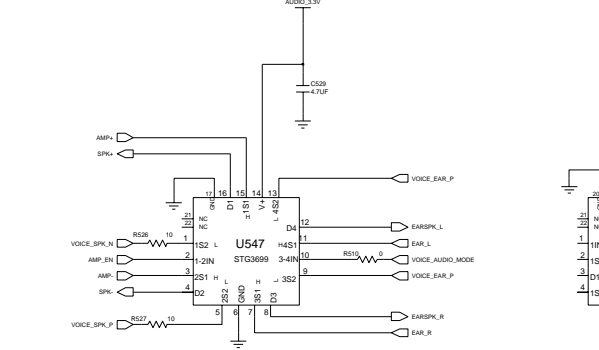
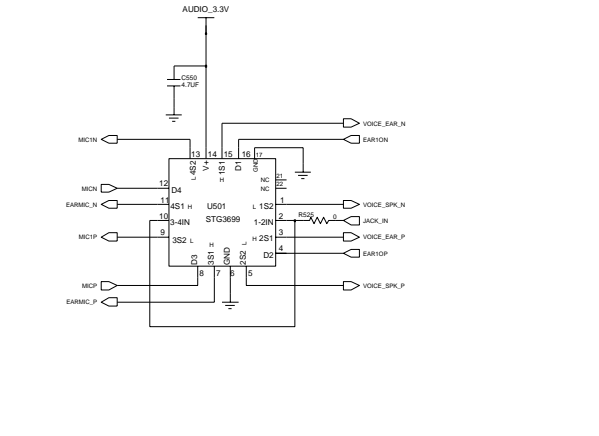
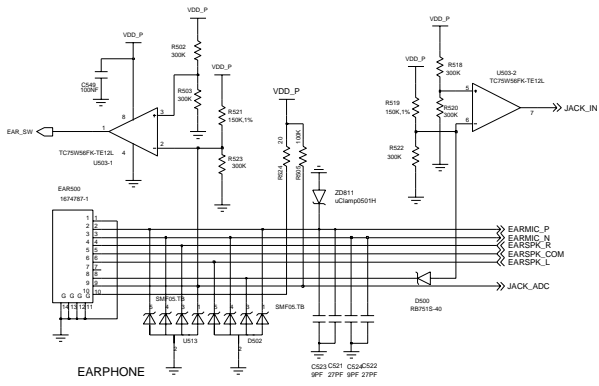
	IN_A	IN_B	IN_C	VDD
GSM TX	L	H	H	H
GSM RX	L	H	L	H
DCS TX	L	L	L	H
DCS RX	L	L	H	H
UMTS	L	L	L	H
IDLE	-	-	-	L

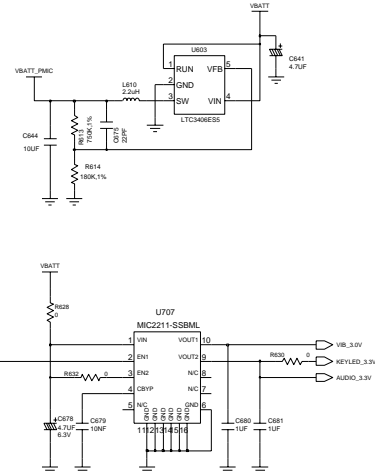
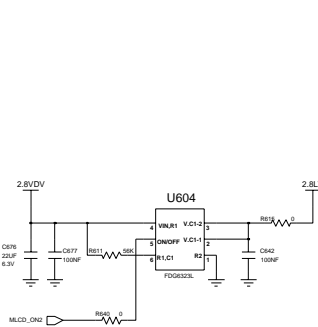
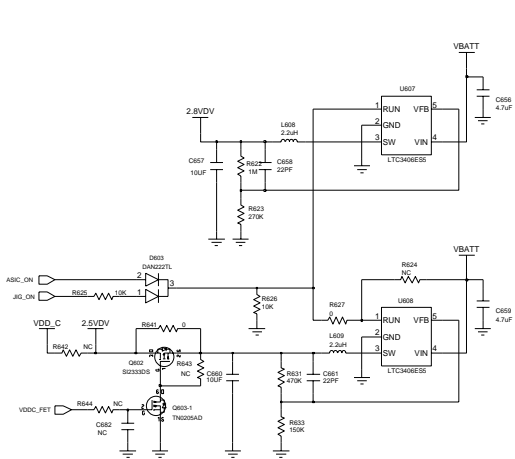
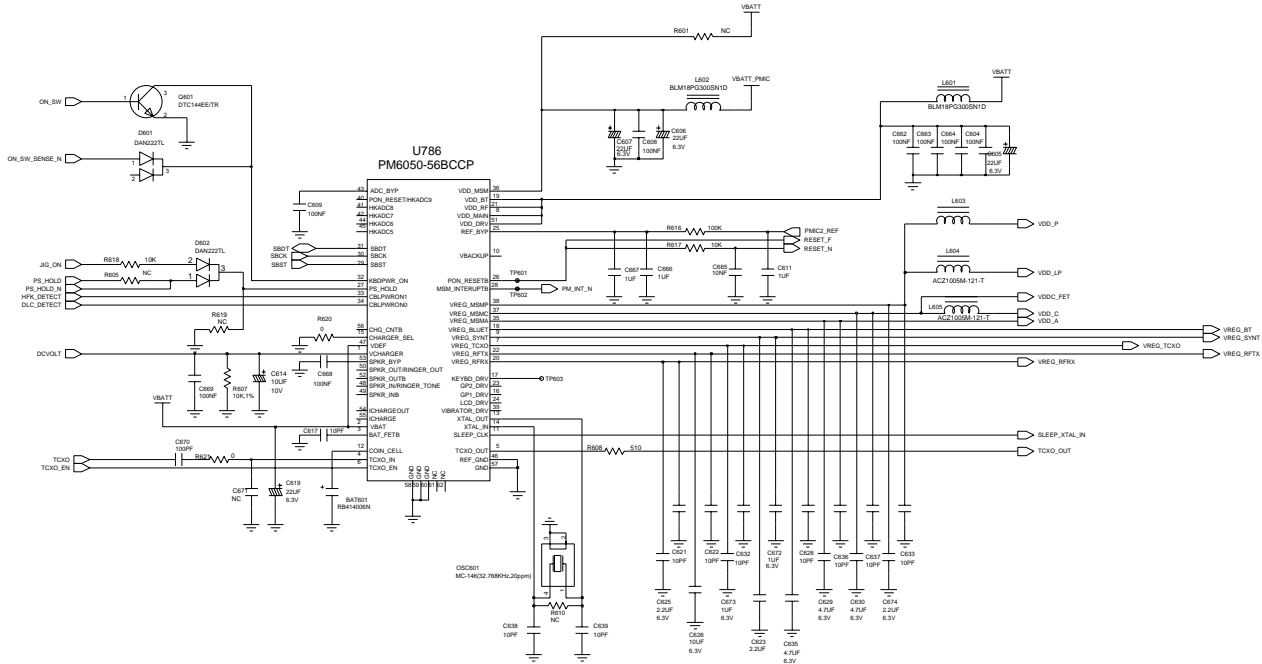


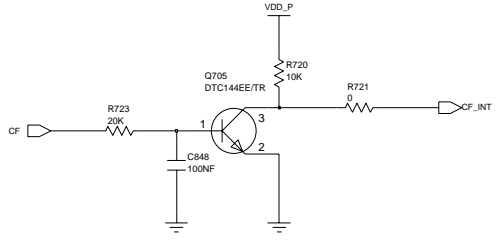
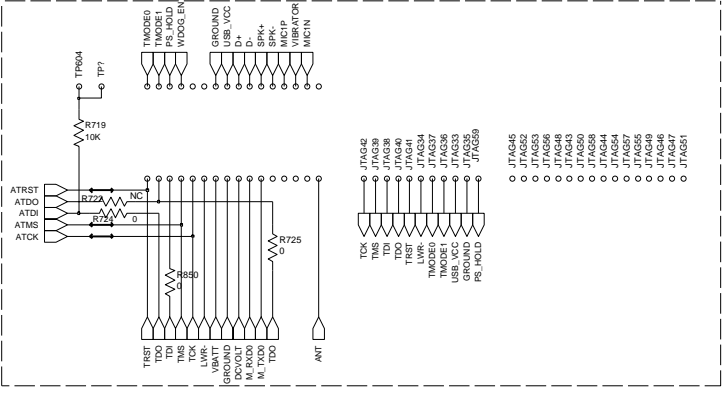
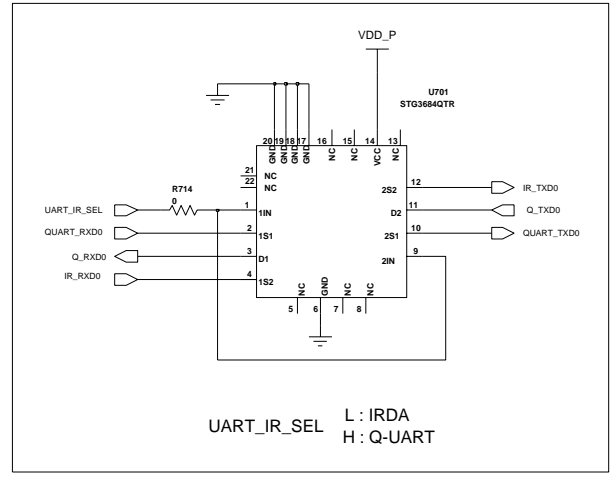
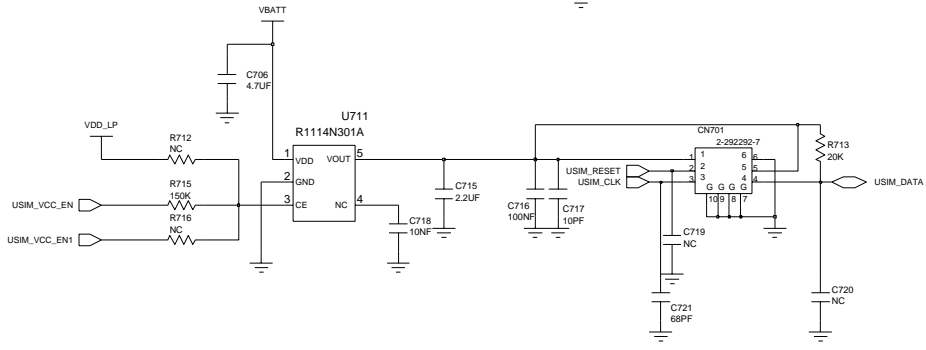
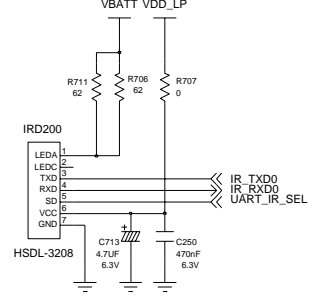
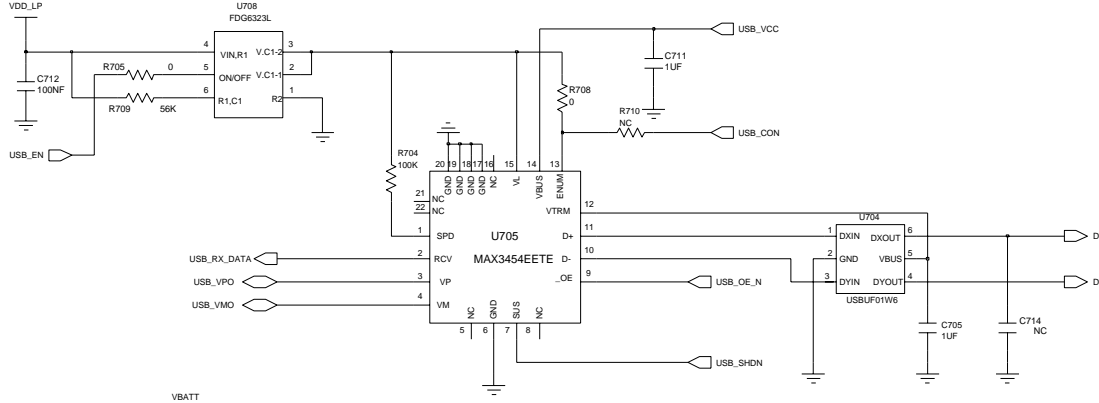












Engineer	SGH-Z107_M03		
Drawn by			
R&D CHK	TITLE:	Size A3	
DOC CTRL CHK	UART, USB, USIM J-TAG		
MFG ENGR CHK			
Changed by	Date Changed	Time Changed	Sheet 7 of 8

