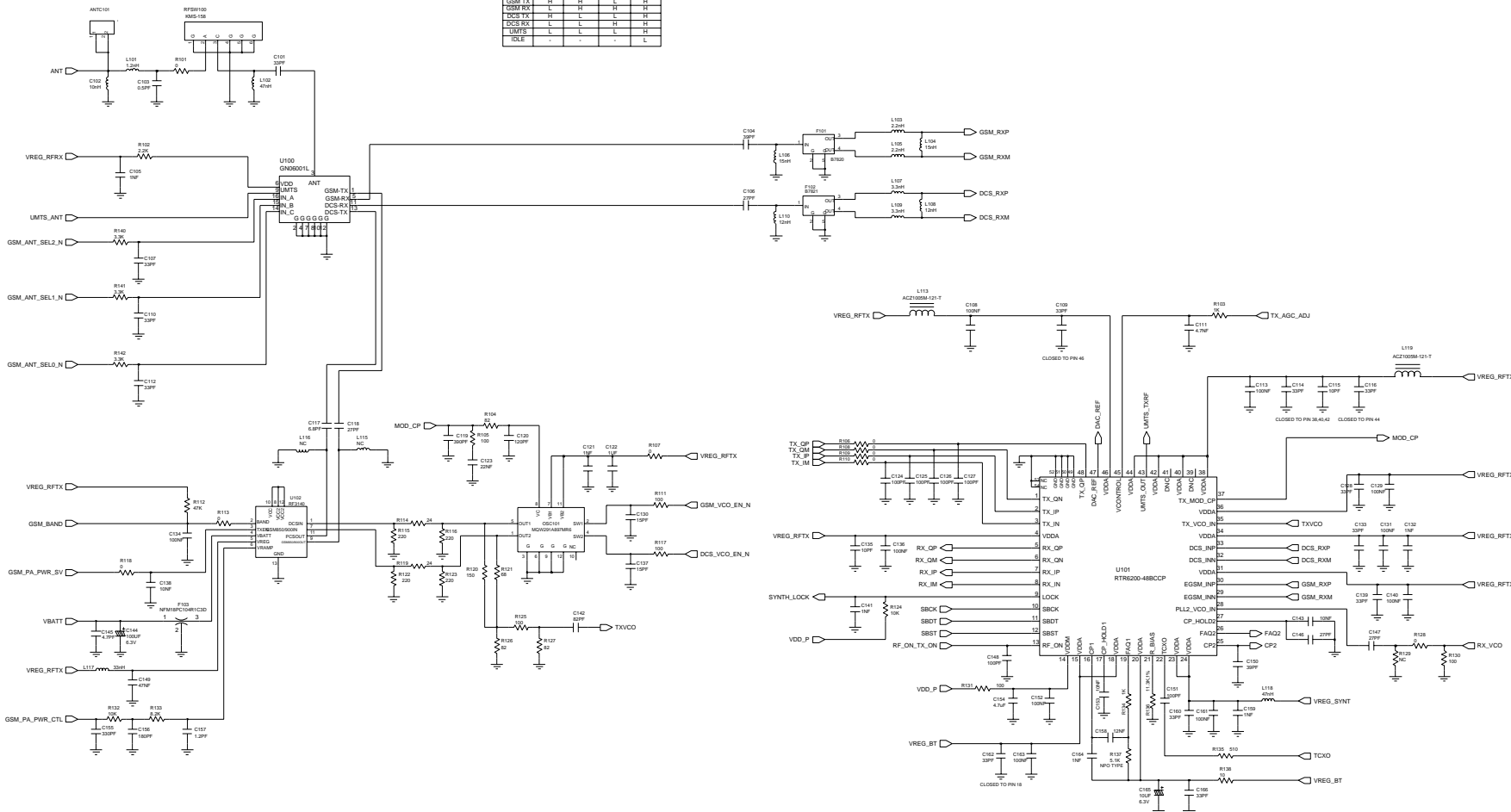
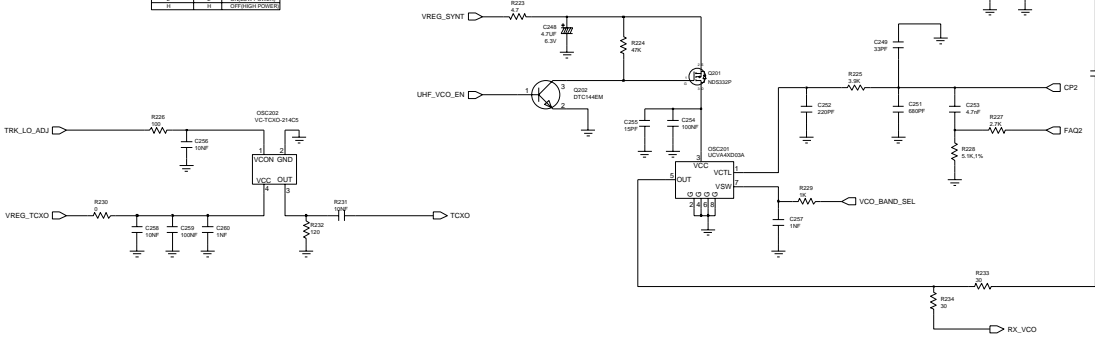
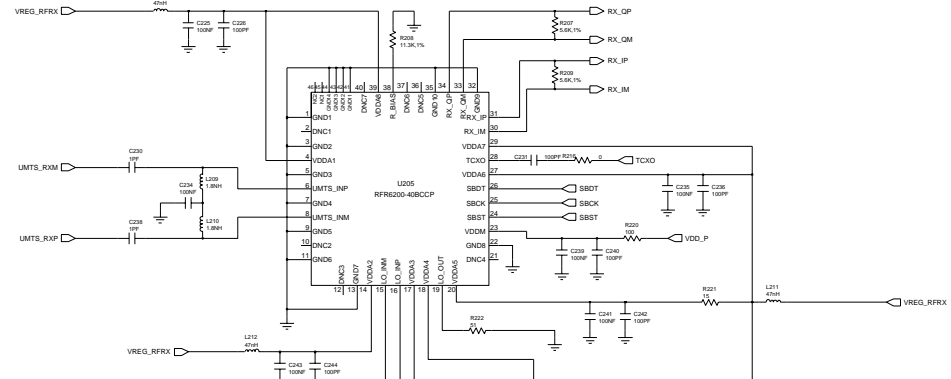
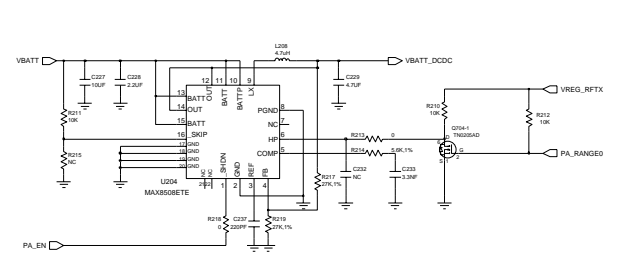
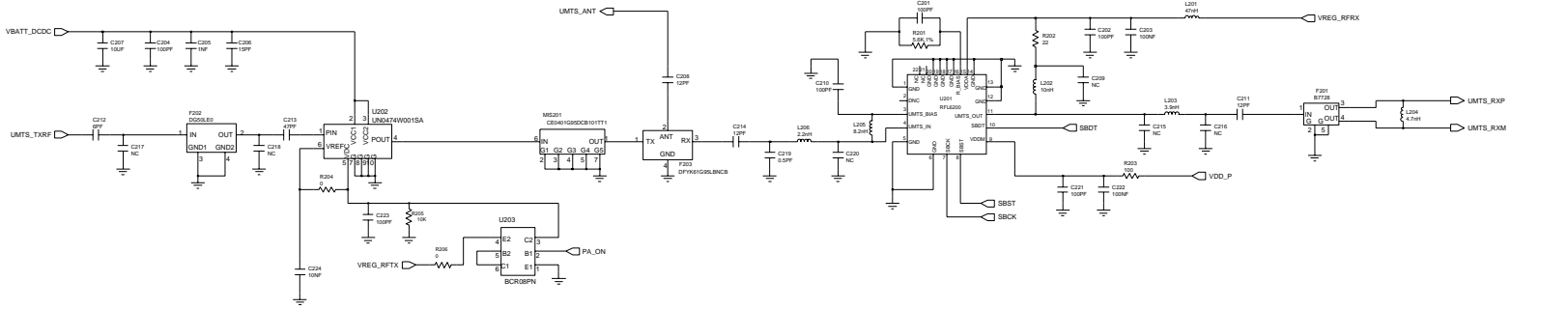


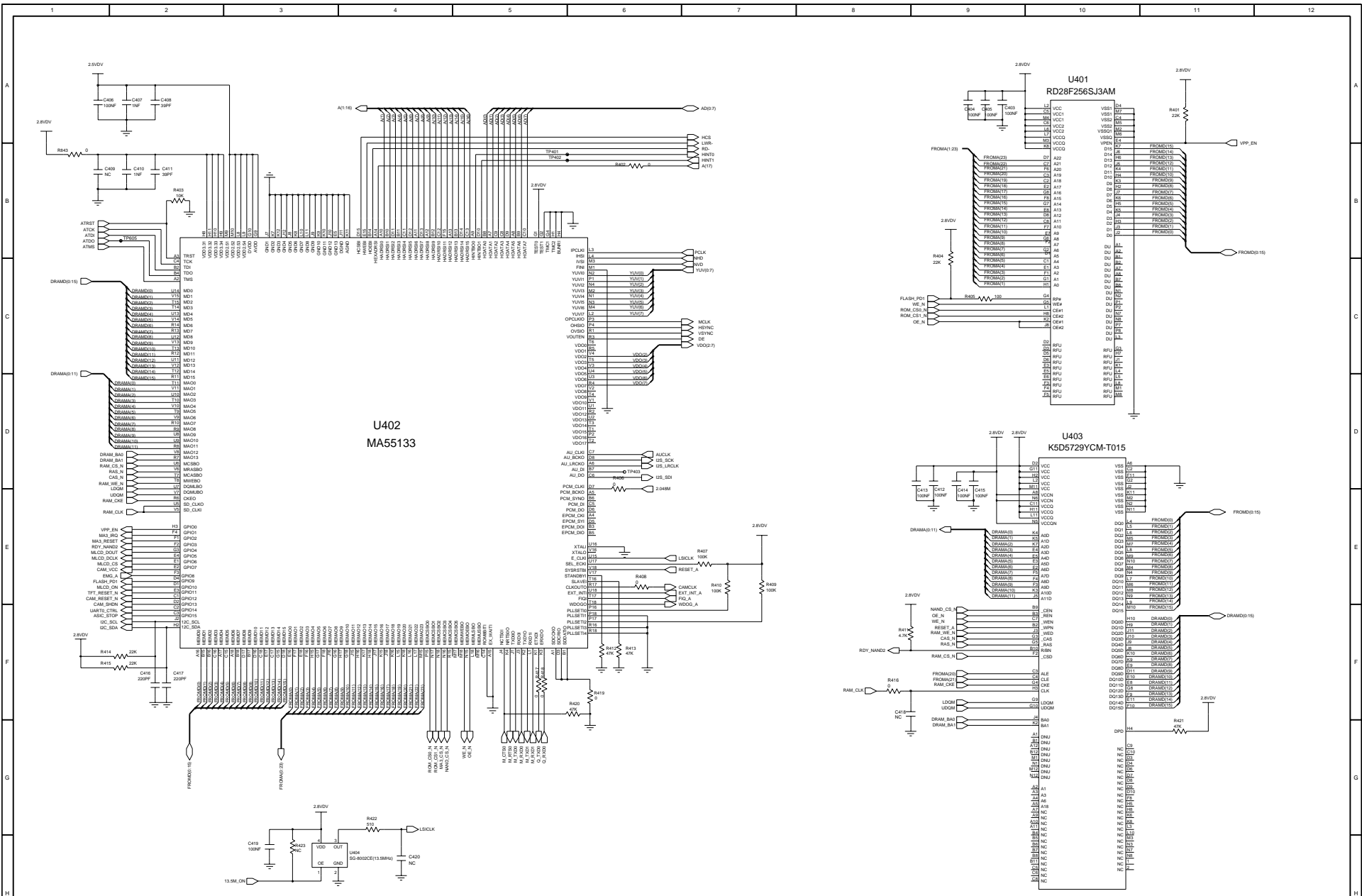
	IN_A	IN_B	IN_C	VDD
GSM_TX	L	H	L	H
GSM_RX	L	H	L	H
DCS_TX	L	L	H	H
DCS_RX	L	L	H	H
UMTS	L	L	L	H
IDLE	-	-	-	L

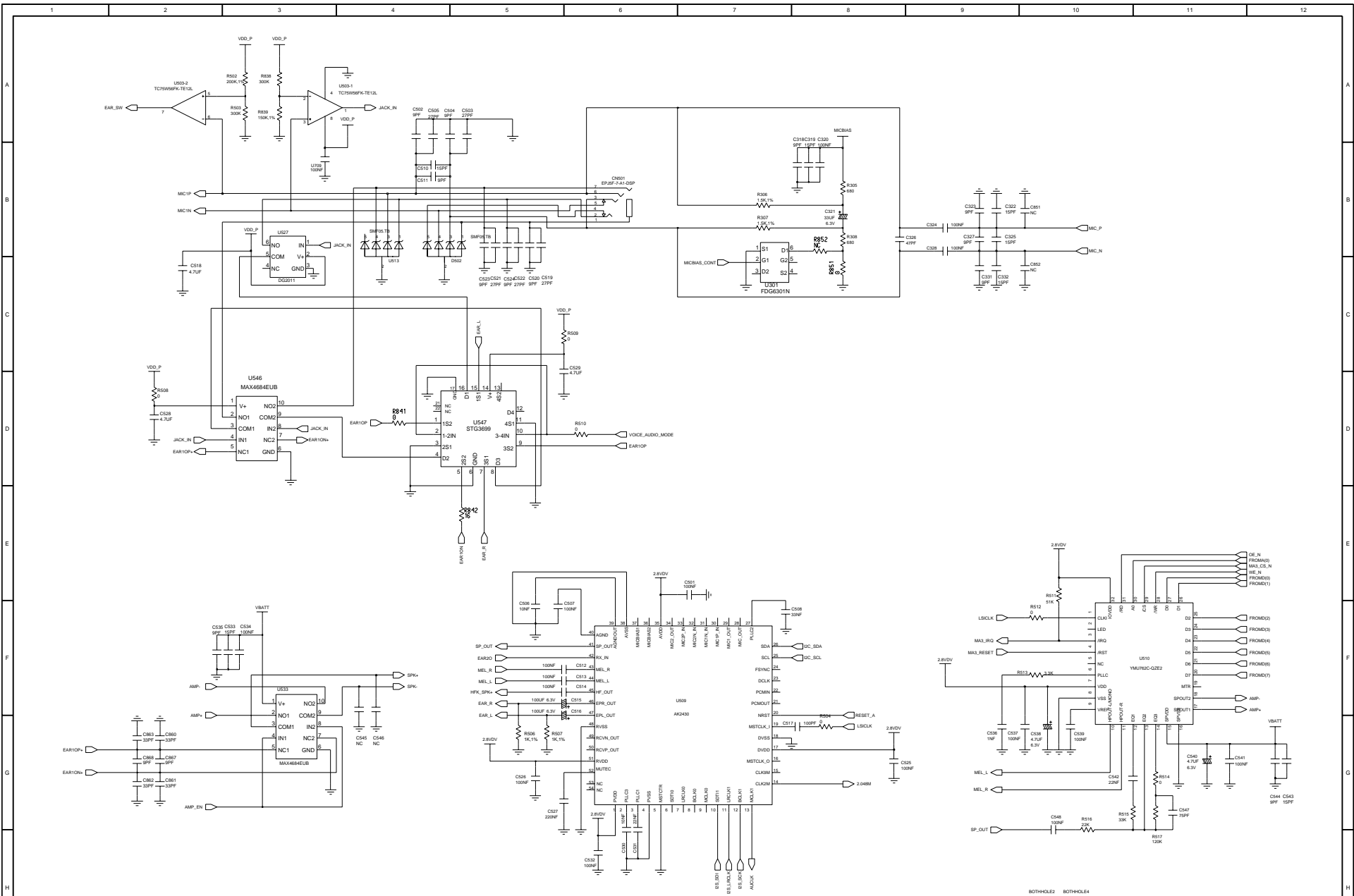


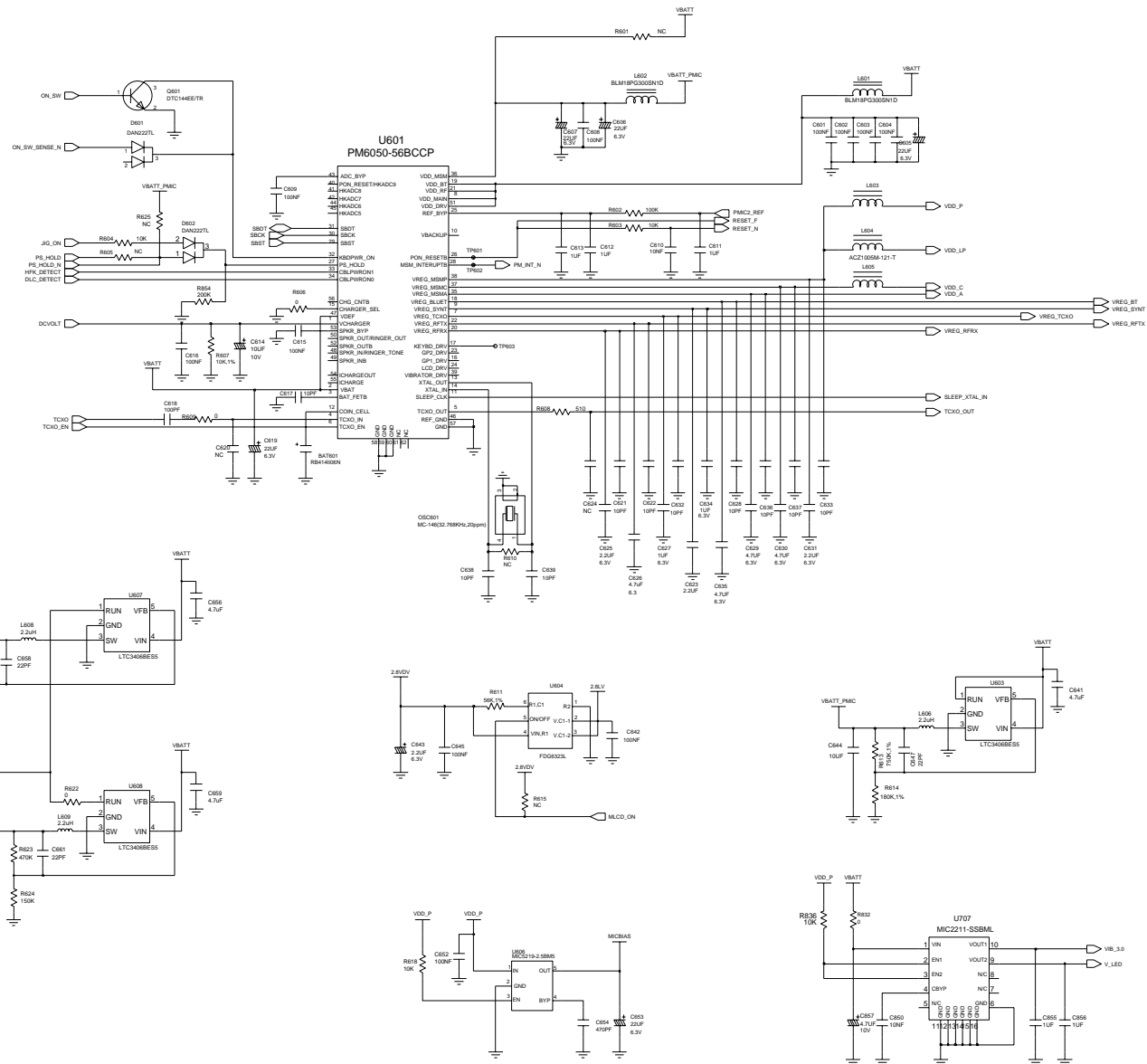


REV	DATE	BY	CHKD
1	02/28/2004	WJ	WJ
2	03/02/2004	WJ	WJ
3	03/02/2004	WJ	WJ

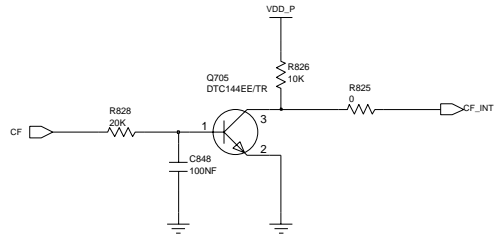
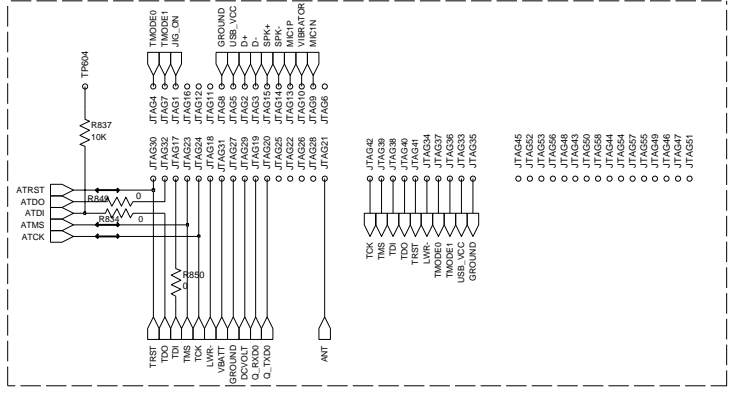
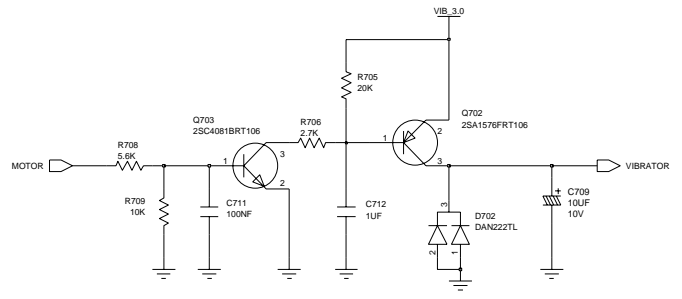
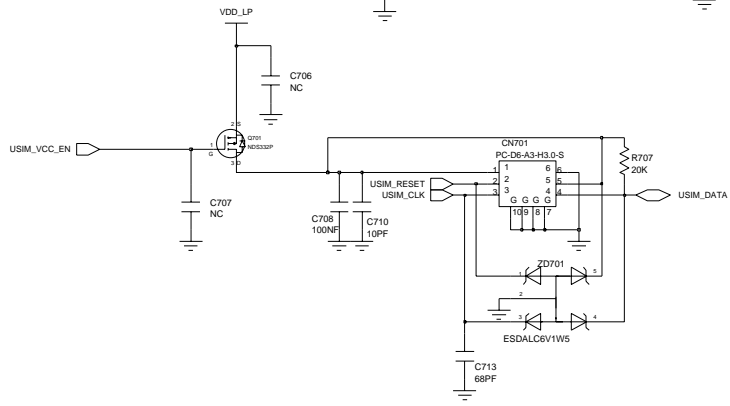
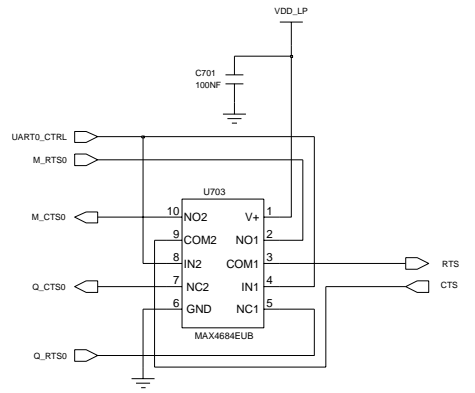
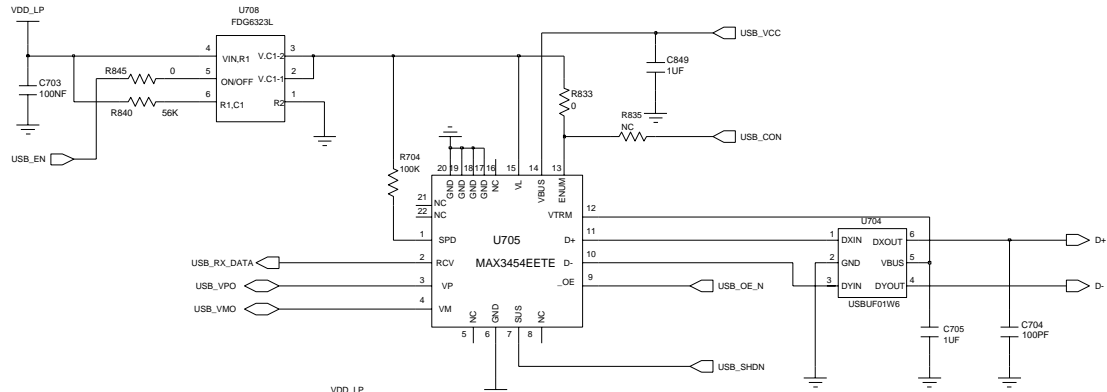












Engineer	SGH-Z105_M01		
Drawn by			
R&D CHK	TITLE:	Size A3	
DOC CTRL CHK	UART , USB , USIM J-TAG		
MFG ENGR CHK			
QA CHK	REV 02	Drawing Number	Sheet 7 of 8

