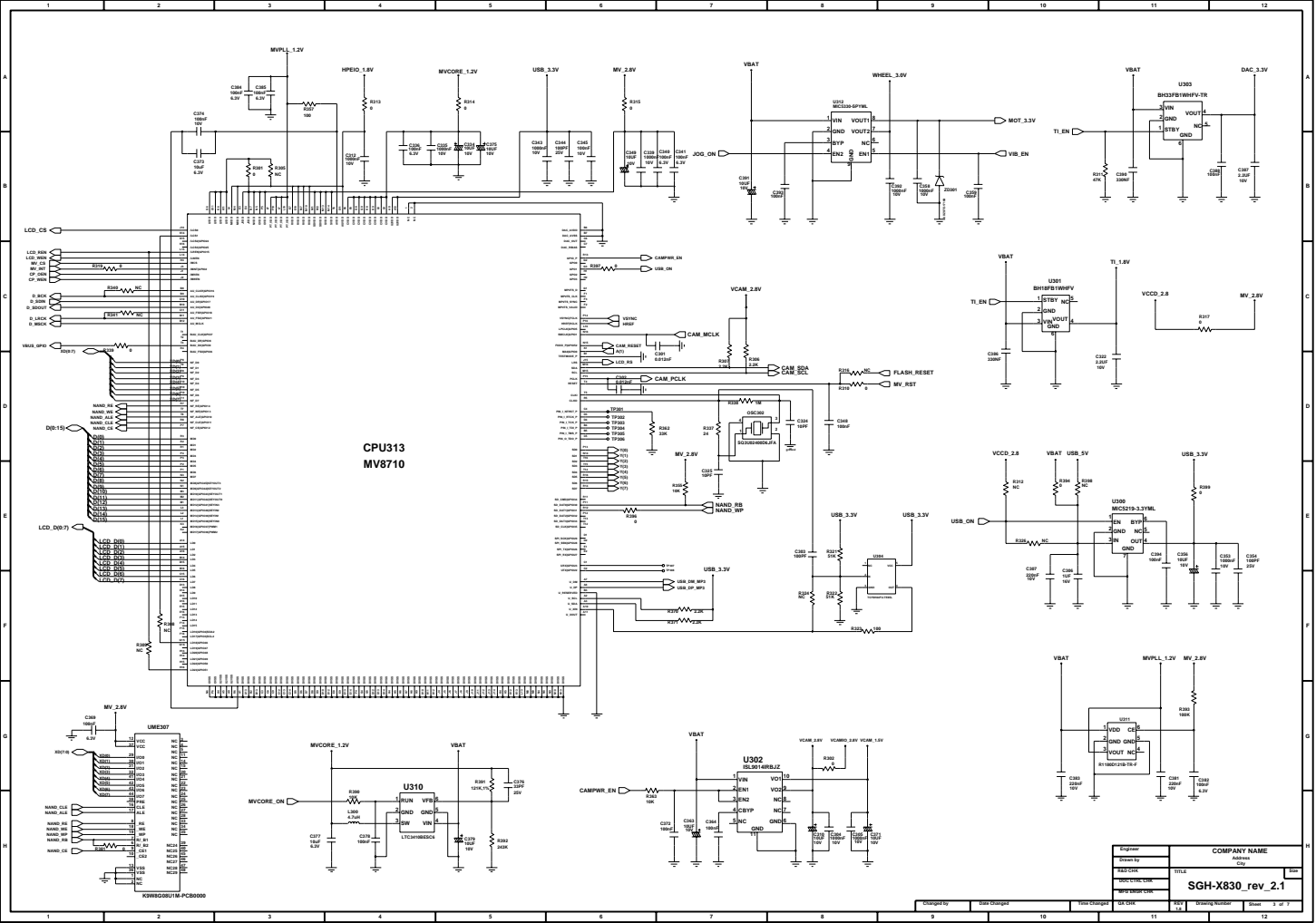


BOARD_HOLE

03 04 05 01	1 1 1 1
-------------	---------

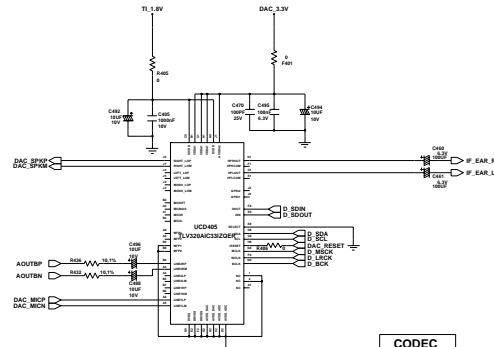
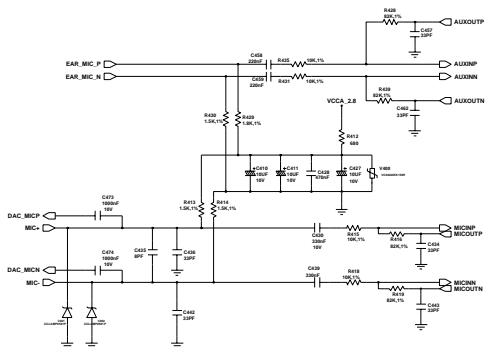
Engineer	SAMSUNG ELECTRONICS
Drawn by	TITLE
PROJ. ENGR.	SGH-X830_rev_2.1
REV. CONTROL	REV. CONTROL

Changed by: User Changed File Change: DA CLK Drawing Number: Sheet 2 of 7

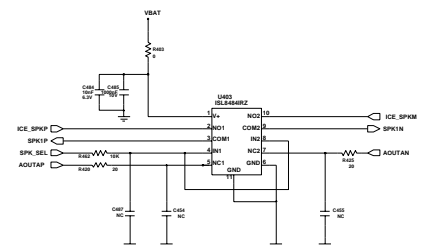
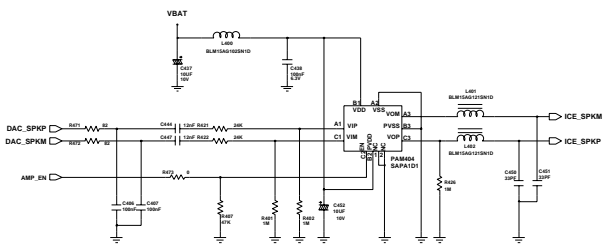


CPU313
MV8710

Engineer		COMPANY NAME	
Drawn by	DATE	Address	City
Check by	DATE		
Approved by	DATE		
SGH-X830_rev_2.1			

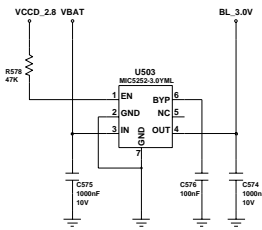
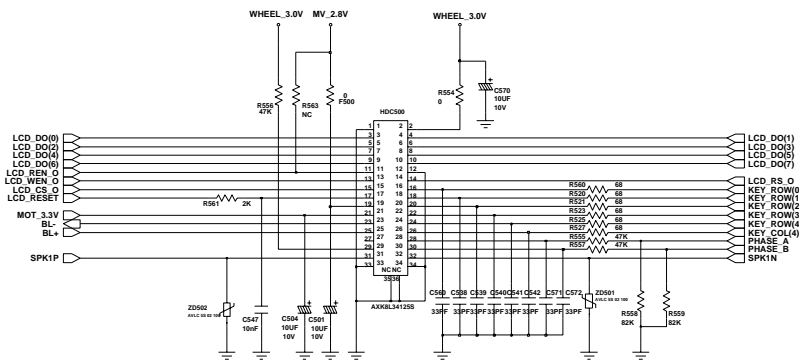
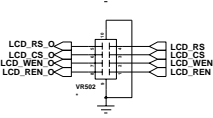
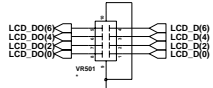
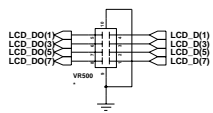


CODEC

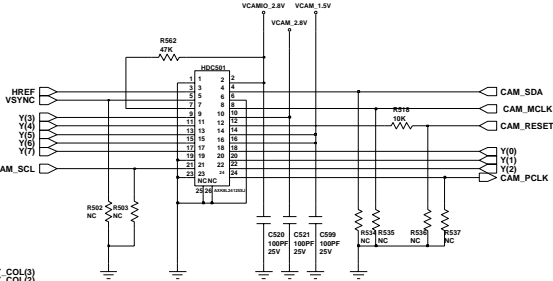
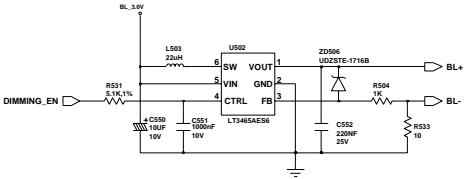


Audio SW

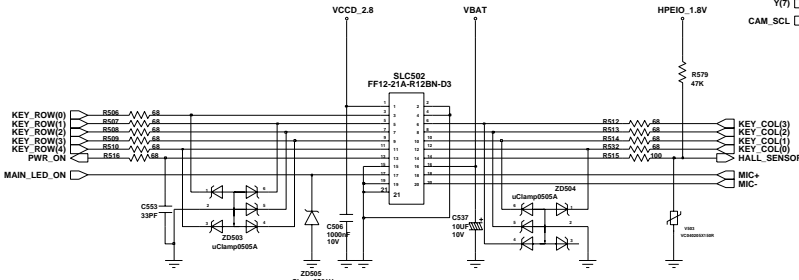
Engineer	SAMSUNG ELECTRONICS
Drawn by	TITLE
Checked by	SGH-X830_rev_2.1
Approved by	



LCD CONNECTOR

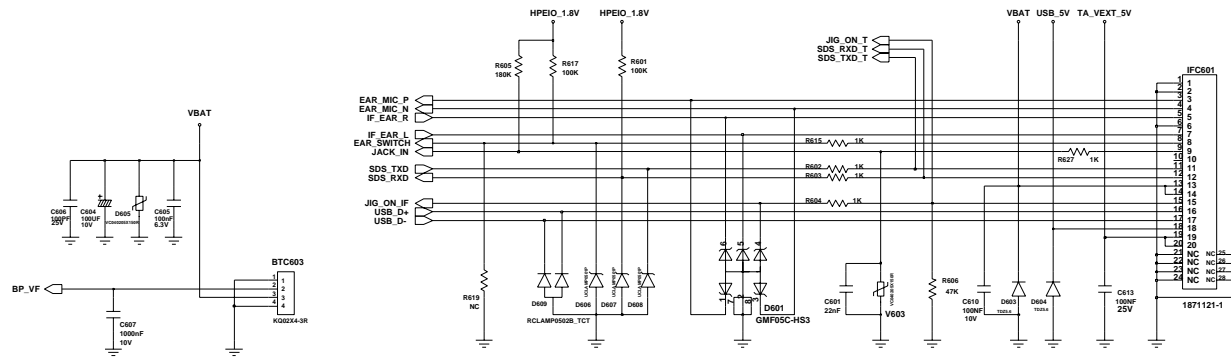


CAMERA CONNECTOR

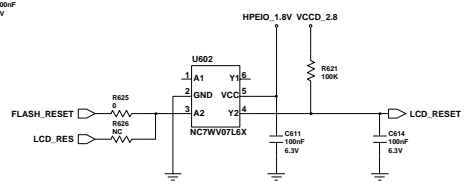
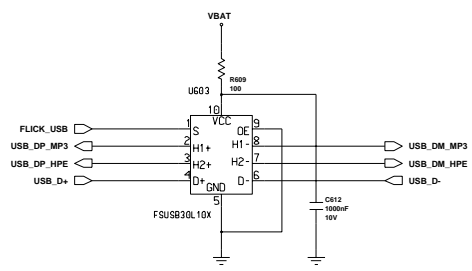
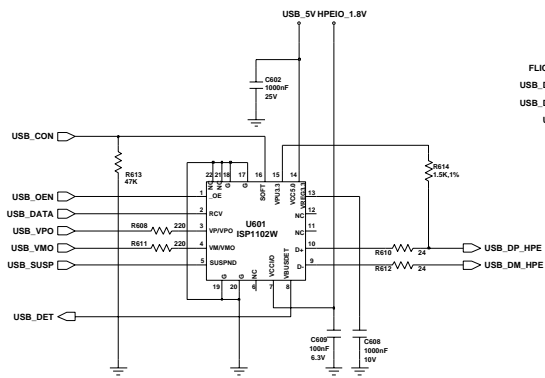


KEYPAD CONNECTOR PART

Engineer	SAMSUNG ELECTRONICS	
Drawn by	TITLE: Size	
R&D CHK	SGH-X830_rev_2.0	
DOC CTRL CHK		
MFG ENGR CHK		
Changed by	Date Changed	Time Changed QA CHK
REV 1.8	Drawing Number	Sheet 5 of 7



I/F CONNECTOR



Engineer	SAMSUNG ELECTRONICS	
Drawn by		
R&D CHK	TITLE:	Site
DOC CTRL CHK	SGH-X830_rev_2.1	
MFG ENGR CHK		

