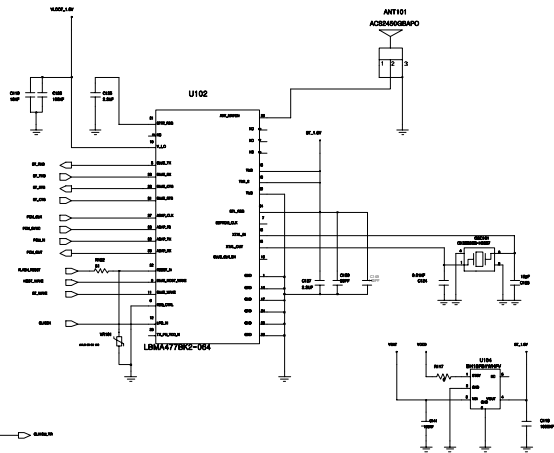
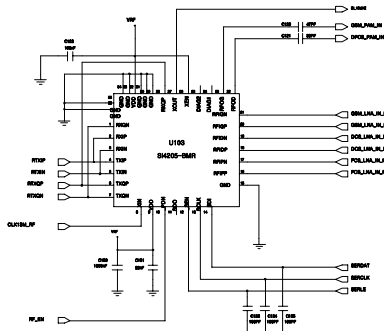
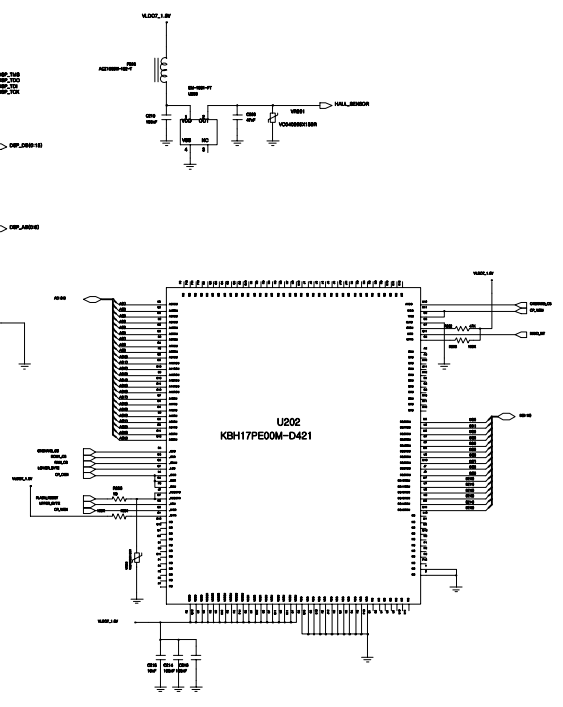
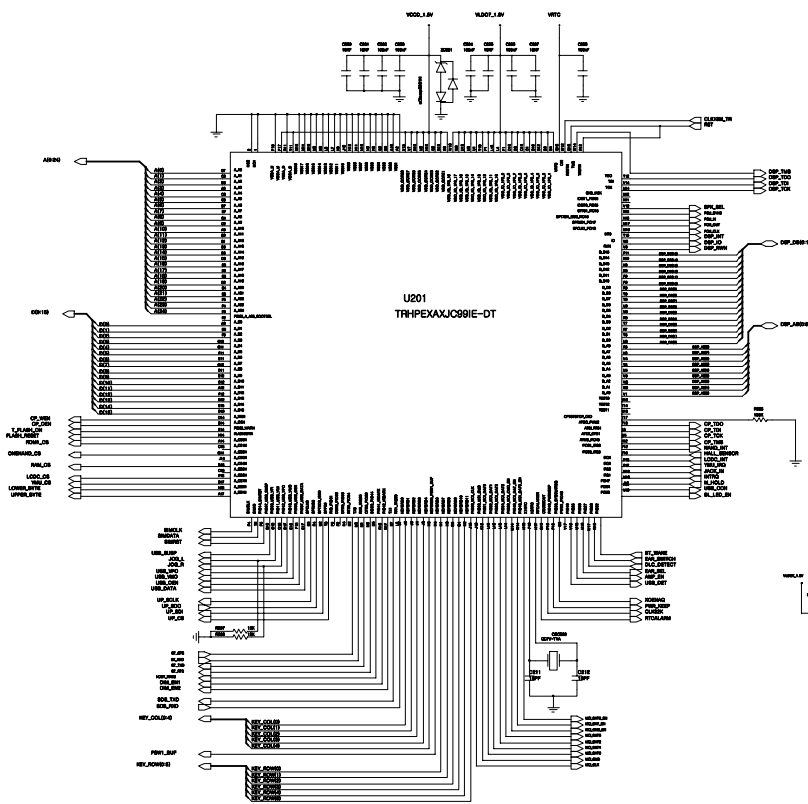


RF PART

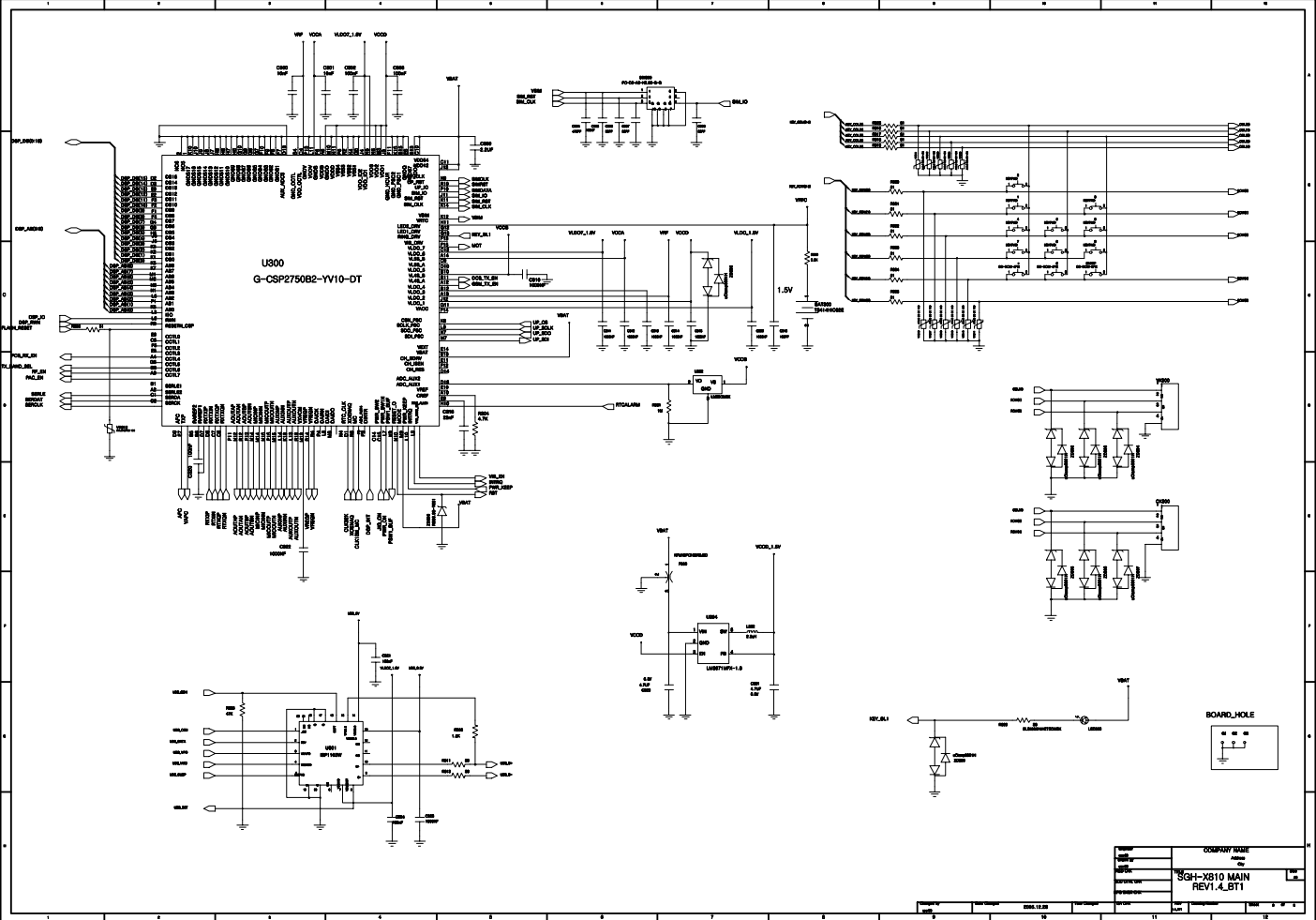


BLUETOOTH_MODULE

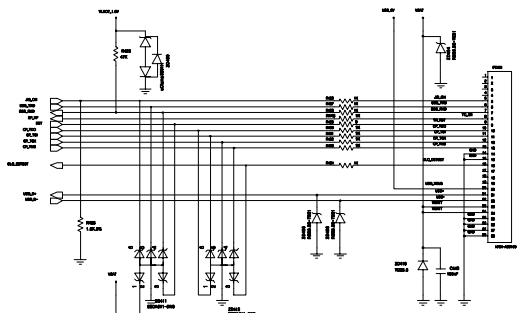
DATE:	COMPANY NAME:
DESIGNER:	PROJ. NO.:
CHECKER:	REV.:
DATE:	SCALE:
SGH-XB10 MAIN	
REV. 1.4_BT1	



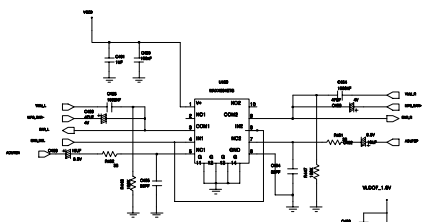
REV:	COMP/REV:	DATE:
1	1	11/11/00
SCH-X810 MAIN		
REV1_A_BT1		



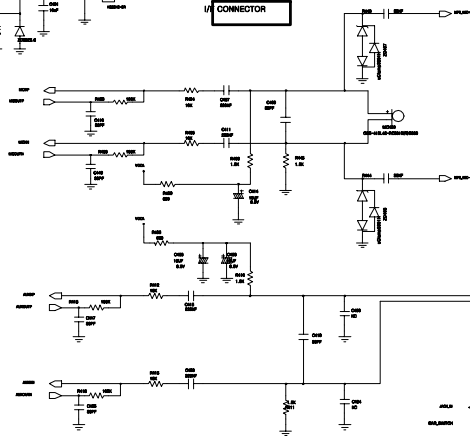
COMPONENT TABLE	
REF ID	VALUE
U800	G-CSP275082-YV10-OT
U100	74VHC04
U200	74VHC04
U300	74VHC04
U400	74VHC04
U500	74VHC04
U600	74VHC04
U700	74VHC04
U800	74VHC04
U900	74VHC04
U1000	74VHC04
U1100	74VHC04
U1200	74VHC04
U1300	74VHC04
U1400	74VHC04
U1500	74VHC04
U1600	74VHC04
U1700	74VHC04
U1800	74VHC04
U1900	74VHC04
U2000	74VHC04



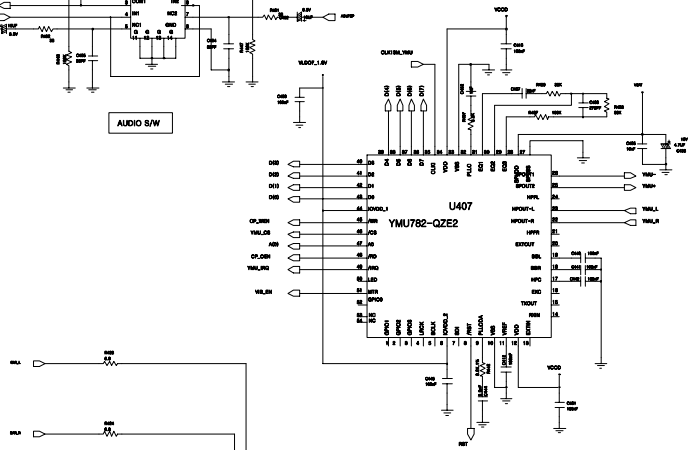
INPUT CONNECTOR



AUDIO SW



AUDIO

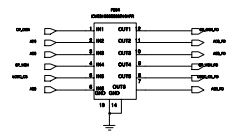
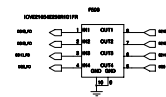
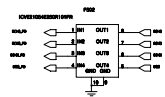
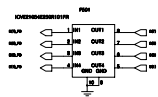
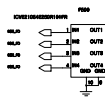


U407
YMU782-QZE2

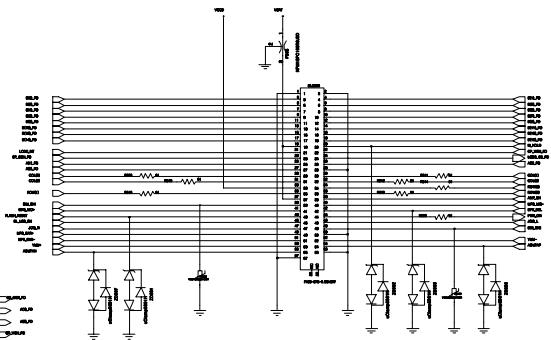
OP1
OP2
OP3
OP4
OP5
OP6
OP7
OP8
OP9
OP10
OP11
OP12
OP13
OP14
OP15
OP16
OP17
OP18
OP19
OP20
OP21
OP22
OP23
OP24
OP25
OP26
OP27
OP28
OP29
OP30
OP31
OP32
OP33
OP34
OP35
OP36
OP37
OP38
OP39
OP40
OP41
OP42
OP43
OP44
OP45
OP46
OP47
OP48
OP49
OP50
OP51
OP52
OP53
OP54
OP55
OP56
OP57
OP58
OP59
OP60
OP61
OP62
OP63
OP64
OP65
OP66
OP67
OP68
OP69
OP70
OP71
OP72
OP73
OP74
OP75
OP76
OP77
OP78
OP79
OP80
OP81
OP82
OP83
OP84
OP85
OP86
OP87
OP88
OP89
OP90
OP91
OP92
OP93
OP94
OP95
OP96
OP97
OP98
OP99
OP100

EAR400

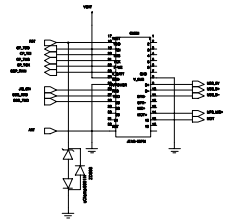
COPYRIGHT		PAGE	
DATE	BY	NO.	TOTAL
1988.02.02		11	12
SGH-X810 MAIN REV14.BT1			



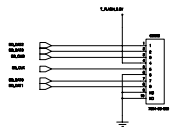
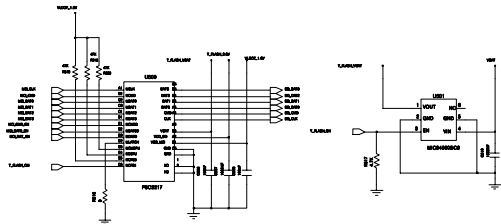
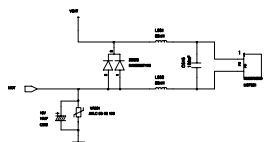
U10



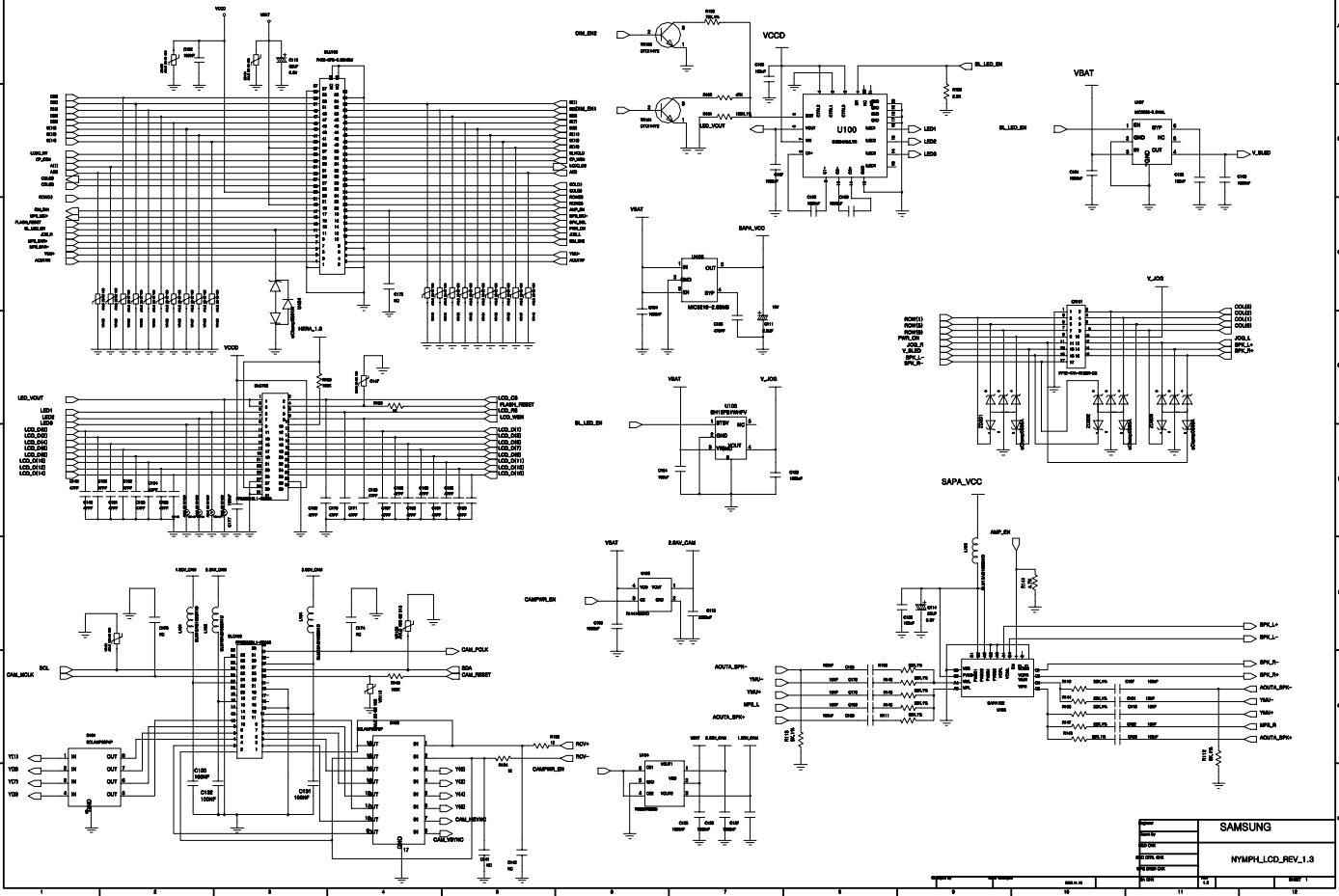
U11



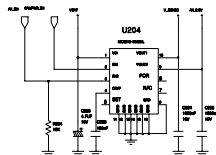
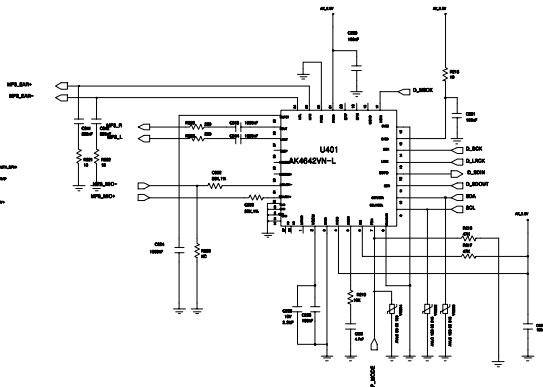
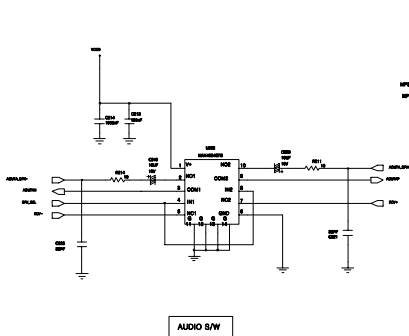
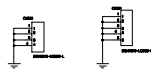
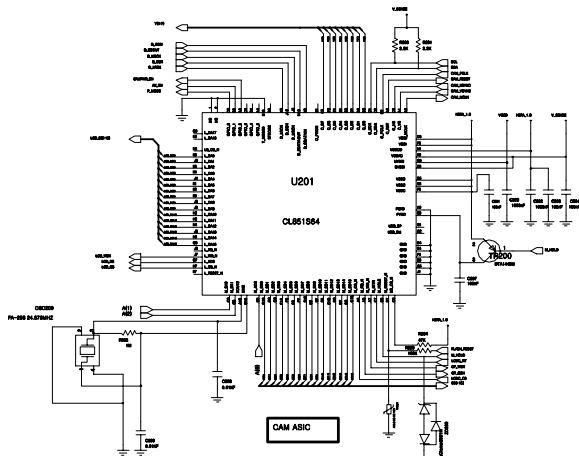
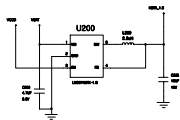
U12



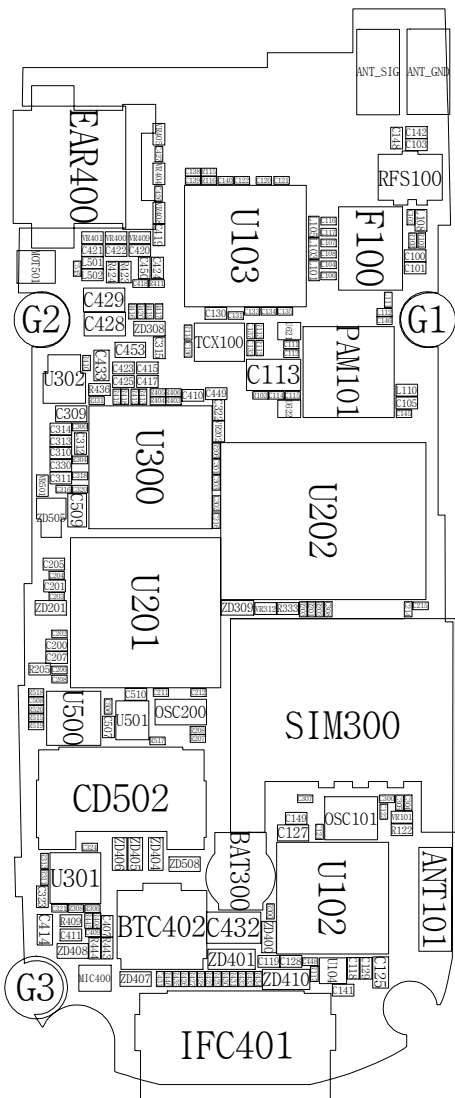
DATE	DESIGNED BY	REVISED BY
11/11/81	SGH	
DESCRIPTION	SGH-Y810 MAIN	
REVISION	REV1.4.BT1	



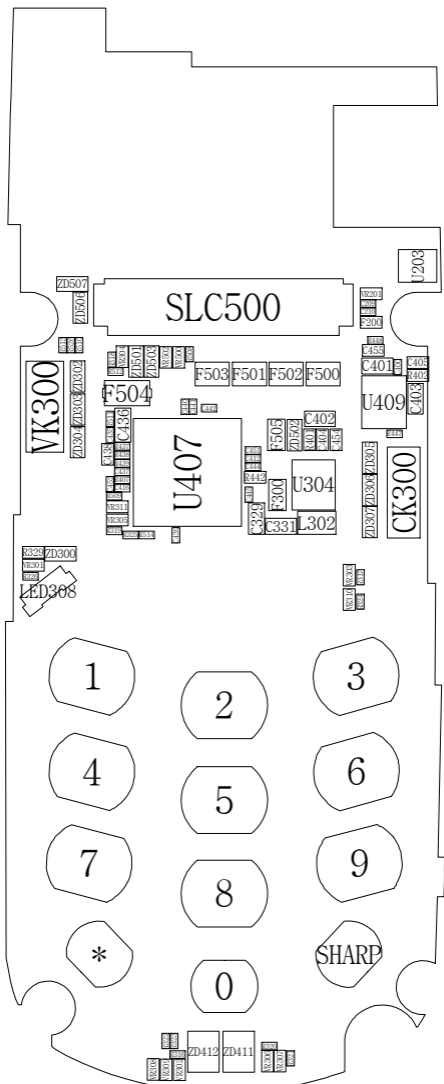
DESIGN	SAMSUNG
DATE	
DESIGNER	
APPROVED BY	
REVISION	
FILE	MPH_LCD_REV_1.3
DATE	

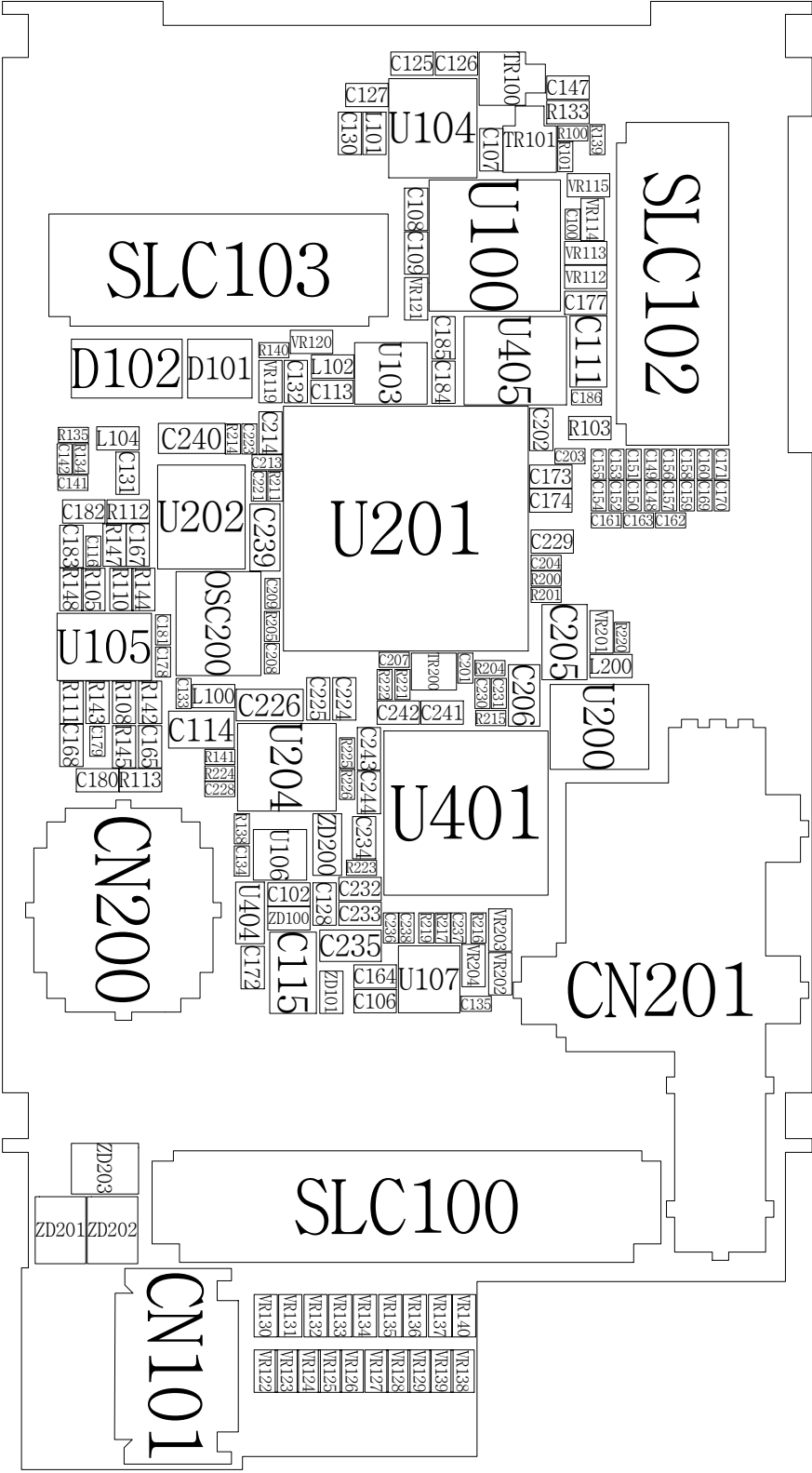


REV	DATE	COMPANY NAME
01	01/01/01	NYMPH LLC
DESCRIPTION	REV	DATE
NYMPH_LL_CD_REV1.3		



CN501





SLC102

SLC103

U100

U201

U401

SLC100

CN200

CN201

CN101

U405

D102 D101

U105

U200

C115

U106

U107

L104

U202

OSC200

U204

U204

U401

CN200

CN201

CN101

U405

D102 D101

U105

U200

C115

U106

U107

L104

U202

OSC200

U204

U204

U401