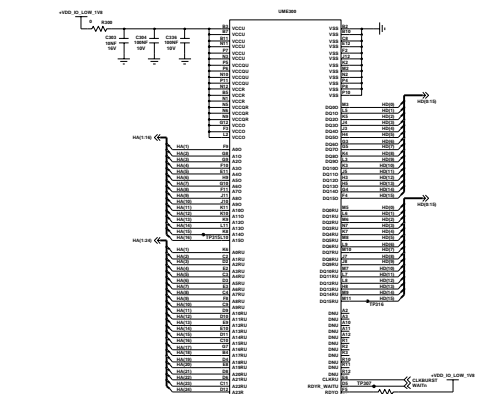
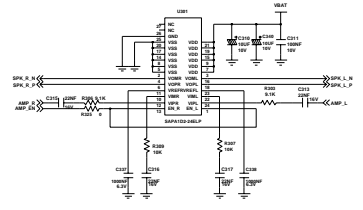


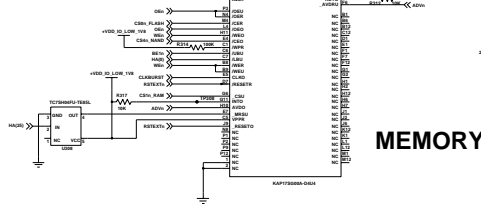
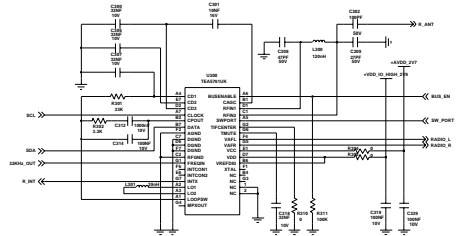
	FERR1	FERR2
TapC030000	L	L
TapC0300000	L	L
RapC030000	L	L
RapC030000	L	L
RapC030000	L	L



D_Class_AMP

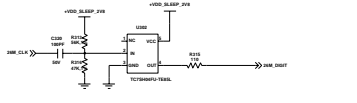


FM RADIO

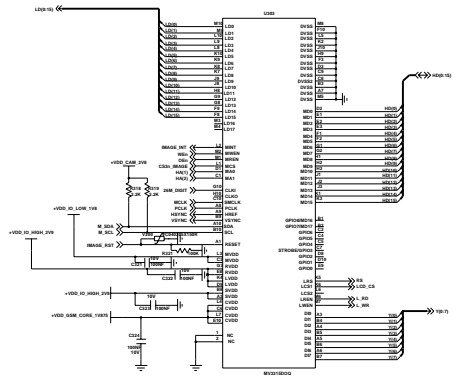


BLUE TOOTH

MEMORY

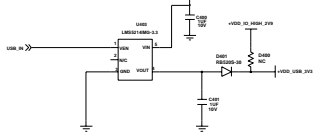


MELODY IC

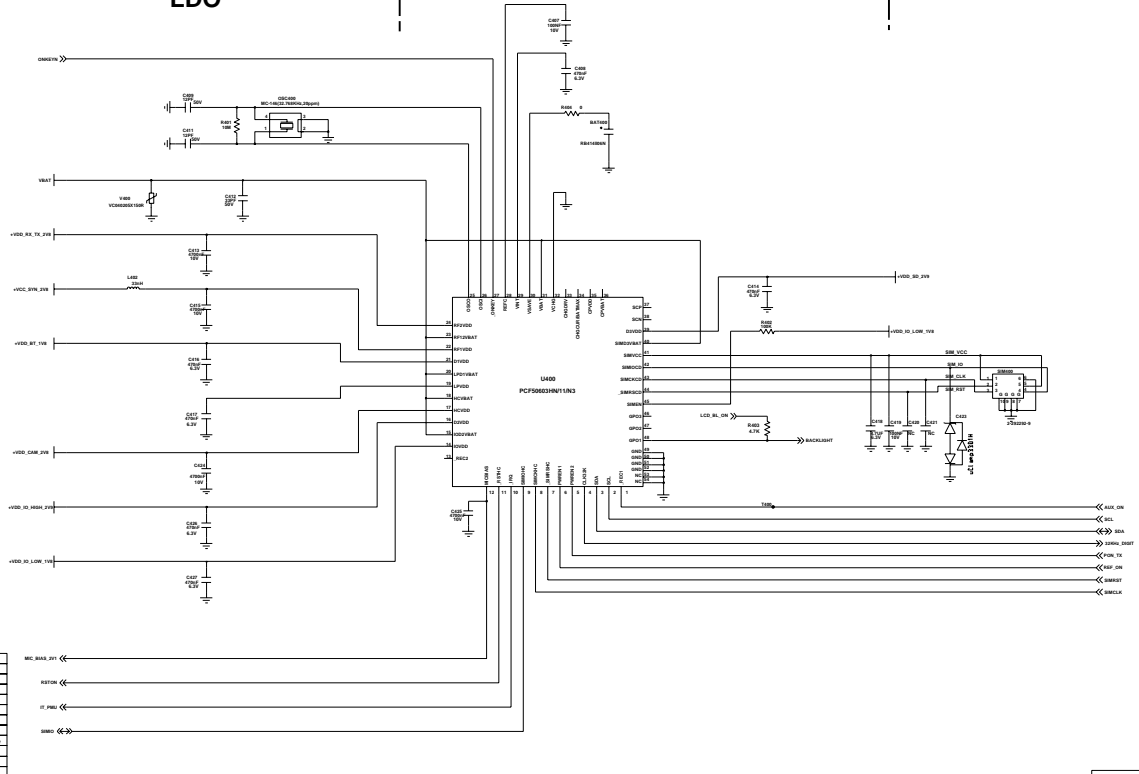
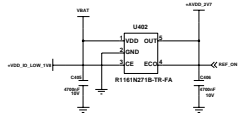
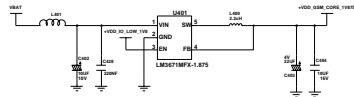


IMAGE_DSP

DC/DC Down Converter(1.8Volt)

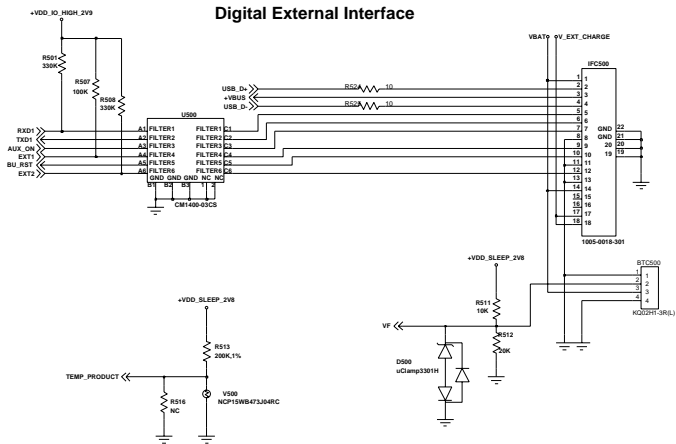


LDO

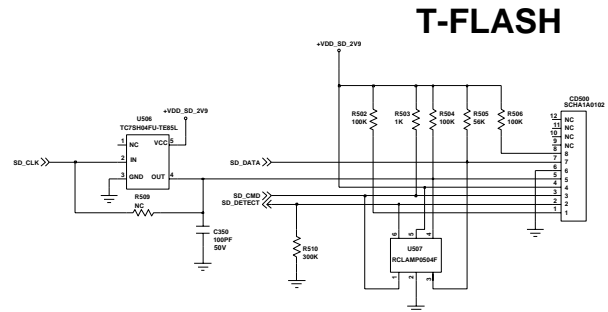


+VDD_1.8V	1.8V
+VDD_1.2V	1.2V
+VDD_0.9V	0.9V
+VDD_0.6V	0.6V
+VDD_0.3V	0.3V
+VDD_0.1V	0.1V
+VDD_0.05V	0.05V
+VDD_0.02V	0.02V
+VDD_0.01V	0.01V
+VDD_0.005V	0.005V
+VDD_0.002V	0.002V
+VDD_0.001V	0.001V
+VDD_0.0005V	0.0005V
+VDD_0.0002V	0.0002V
+VDD_0.0001V	0.0001V
+VDD_0.00005V	0.00005V
+VDD_0.00002V	0.00002V
+VDD_0.00001V	0.00001V

+VDD_1.8V	1.8V
+VDD_1.2V	1.2V
+VDD_0.9V	0.9V
+VDD_0.6V	0.6V
+VDD_0.3V	0.3V
+VDD_0.1V	0.1V
+VDD_0.05V	0.05V
+VDD_0.02V	0.02V
+VDD_0.01V	0.01V
+VDD_0.005V	0.005V
+VDD_0.002V	0.002V
+VDD_0.001V	0.001V
+VDD_0.0005V	0.0005V
+VDD_0.0002V	0.0002V
+VDD_0.0001V	0.0001V
+VDD_0.00005V	0.00005V
+VDD_0.00002V	0.00002V
+VDD_0.00001V	0.00001V

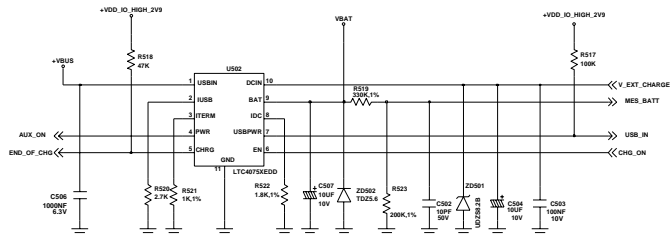


THERMISTOR

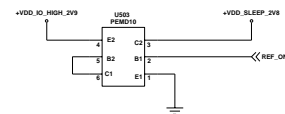


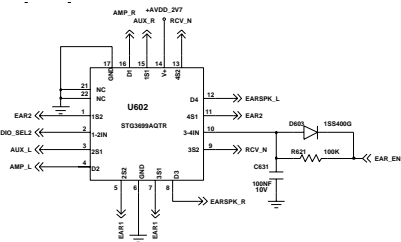
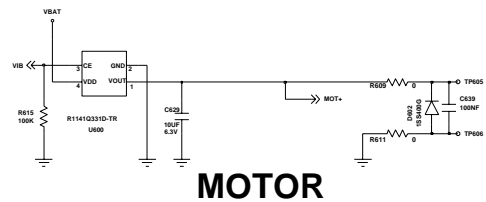
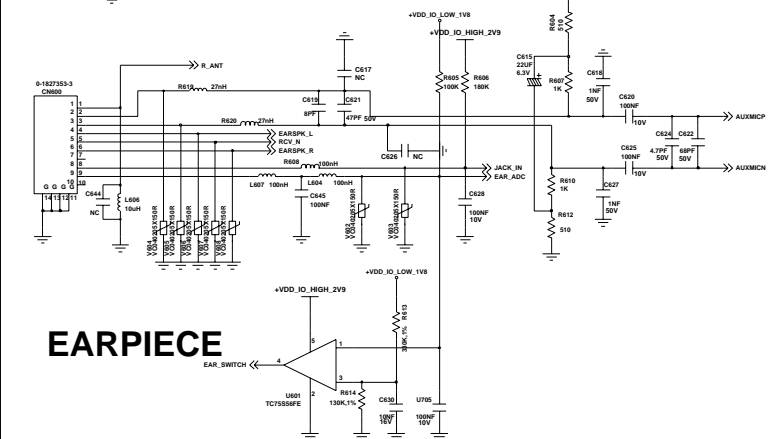
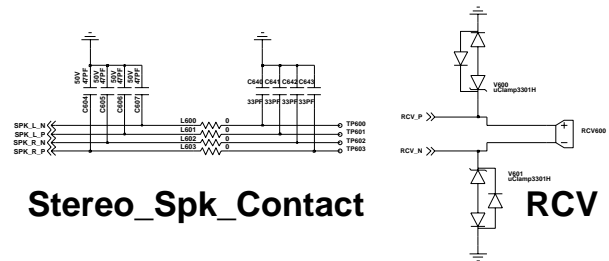
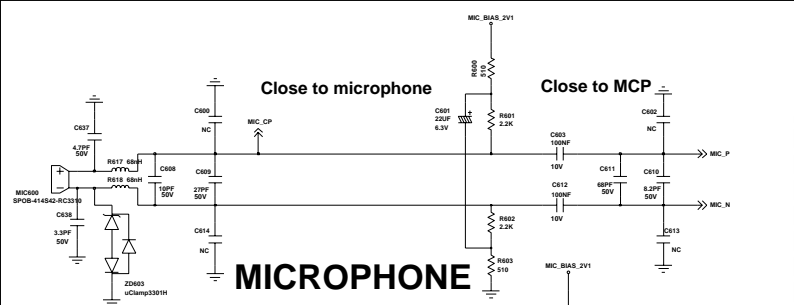
USB Interface

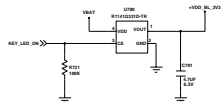
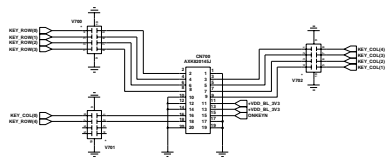
PCB_HOLE



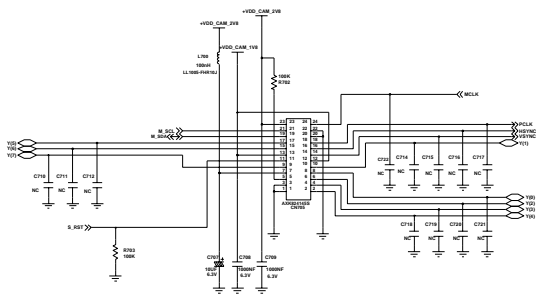
BATTERY CHARGING



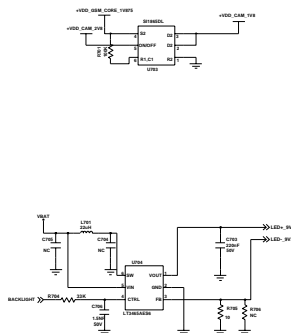




KEY BACKLIGHT

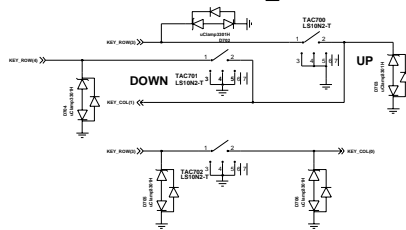


CAMERA

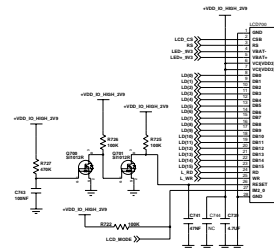


LCD BACKLIGHT

VOLUME_KEY



CAMERA_KEY



LCD CONNECTOR

