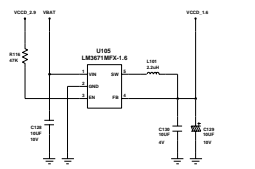
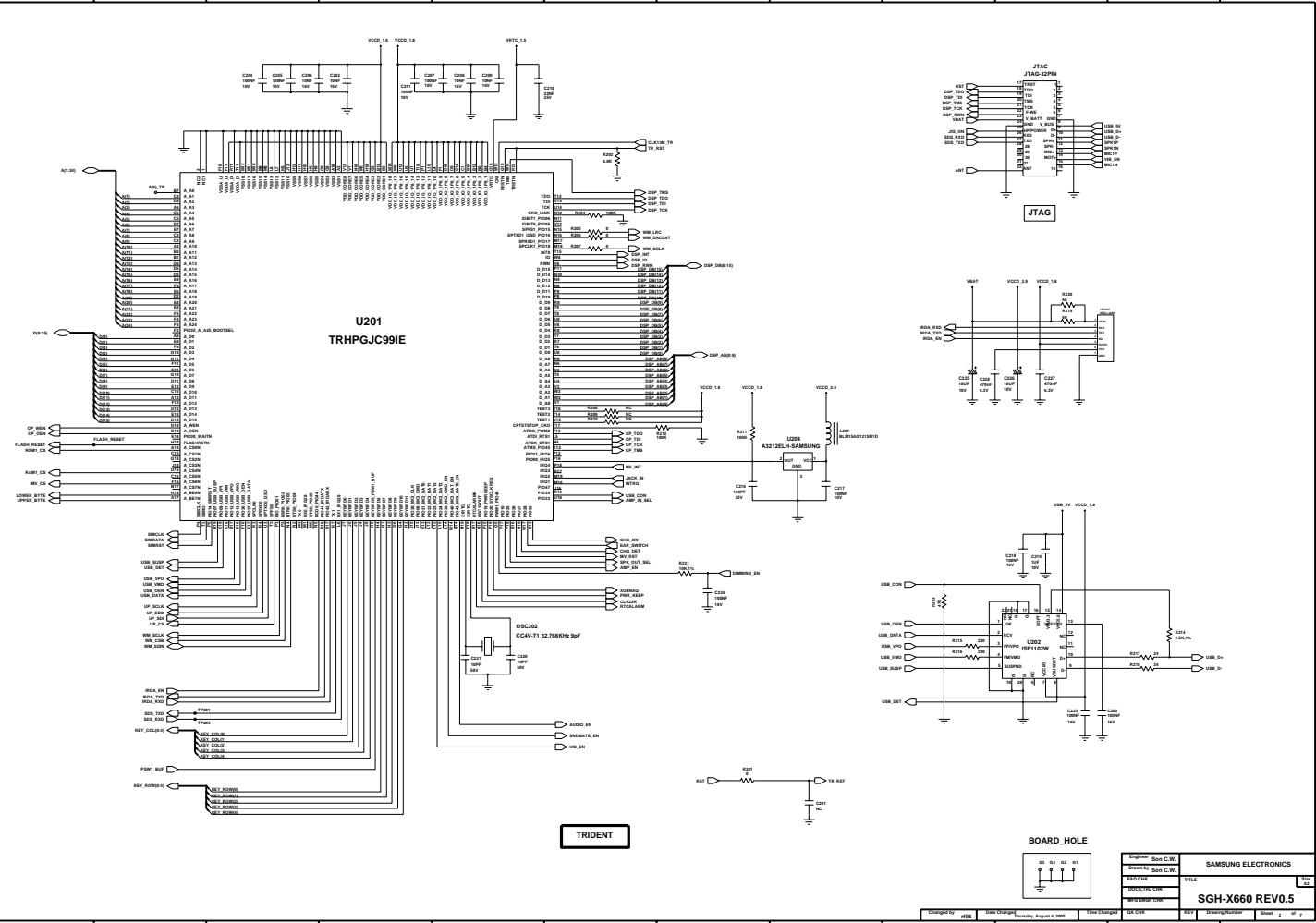


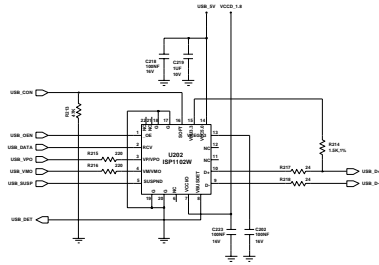
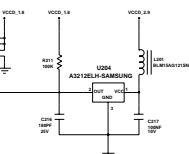
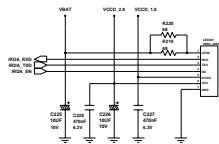
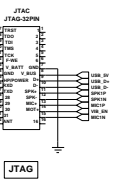
CHARGER



ENGINEER: BOON CHAI
 DESIGNER: BOON CHAI
 CHECKER:
 APPROVED:
 SAMSUNG ELECTRONICS
 SGH-X660 REV.0.5



U201
TRHPGJC99IE

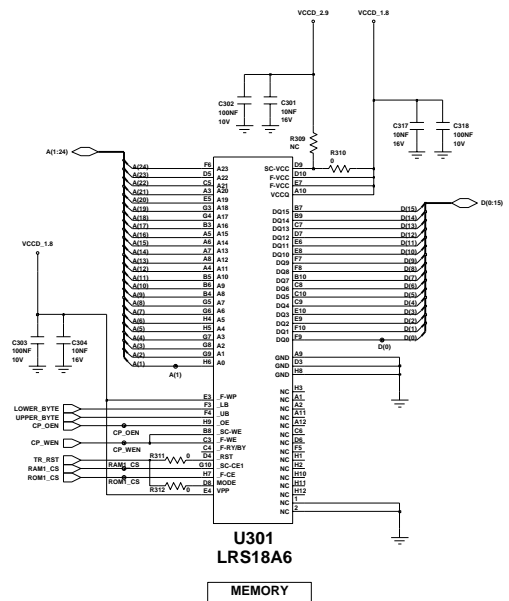


TRIDENT

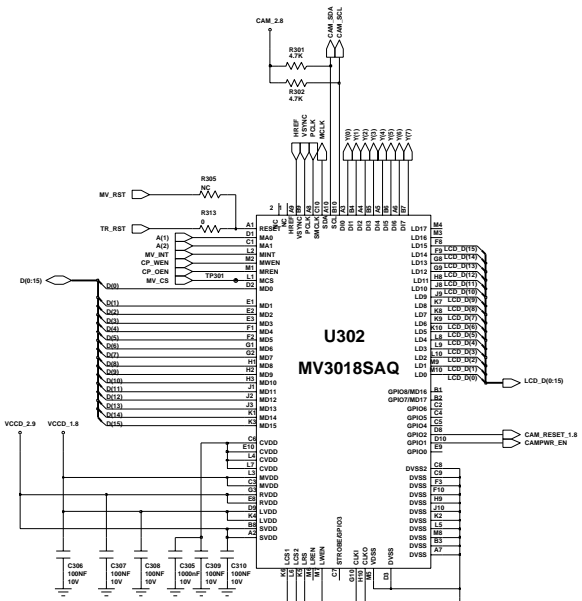
BOARD HOLE



Engineer: Alan C.W.	SAMSUNG ELECTRONICS
Checked by: Alan C.W.	DATE: _____
Approved by: _____	REV: _____
DATE: _____	SGH-X660 REV.0.5
DR: CLK	ISSUE: _____
DATE: _____	Sheet: 1 of 7

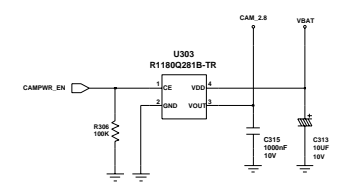


**U301
LRS18A6**
MEMORY

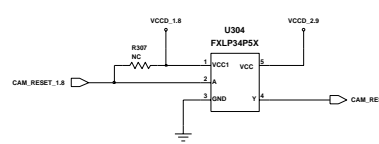


**U302
MV3018SAQ**

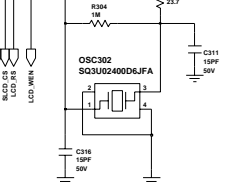
CAM ASIC



**U303
R118Q281B-TR**

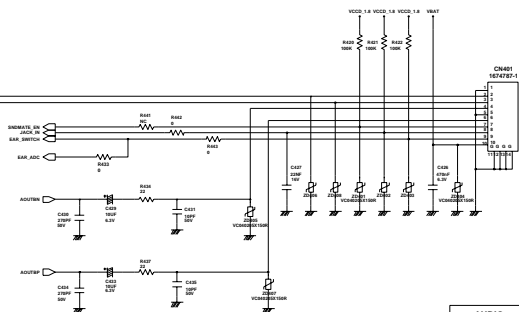
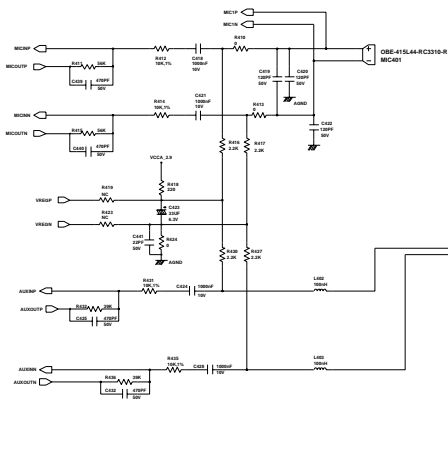
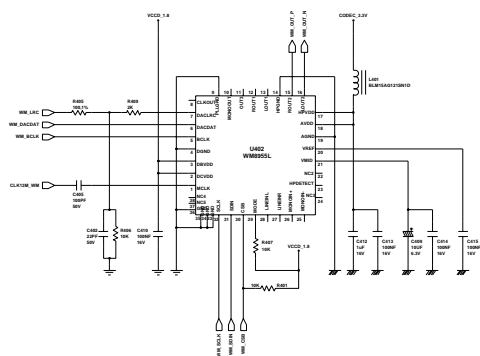
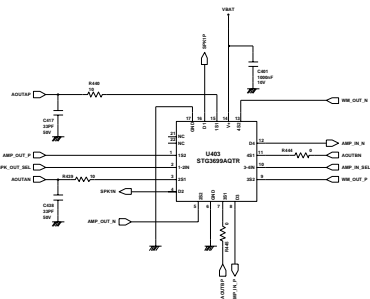
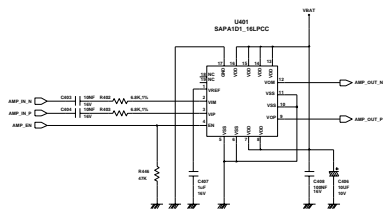


**U304
FXLP34P5X**



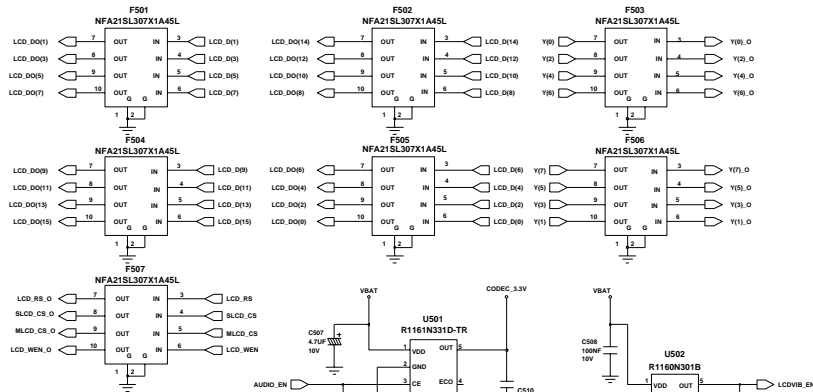
**OSC302
SGU302400D6JFA**

Engineer	Son C.W.	SAMSUNG ELECTRONICS TITLE: _____ Size A3
Drawn by	Son C.W.	
RAD CHK		
DSC CTRL CHK		
W/S INDR CHK		SGH-X660 REV0.5



AUDIO

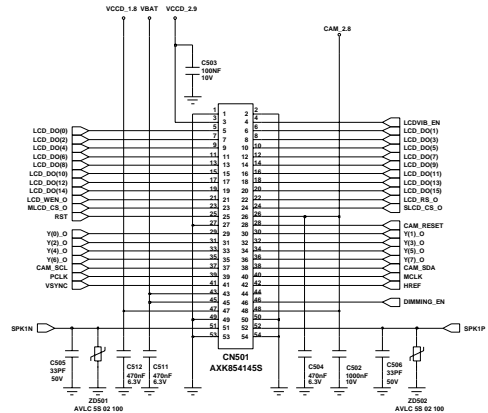
Part No.	SGH-X660 REV.0.5
Rev.	0.5
Date	2008.08.14
Author	Y. H. Kwon
Checker	S. H. Park
Appr.	S. H. Park
Design	Y. H. Kwon
Check	S. H. Park
Appr.	S. H. Park



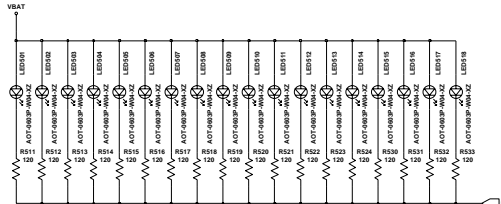
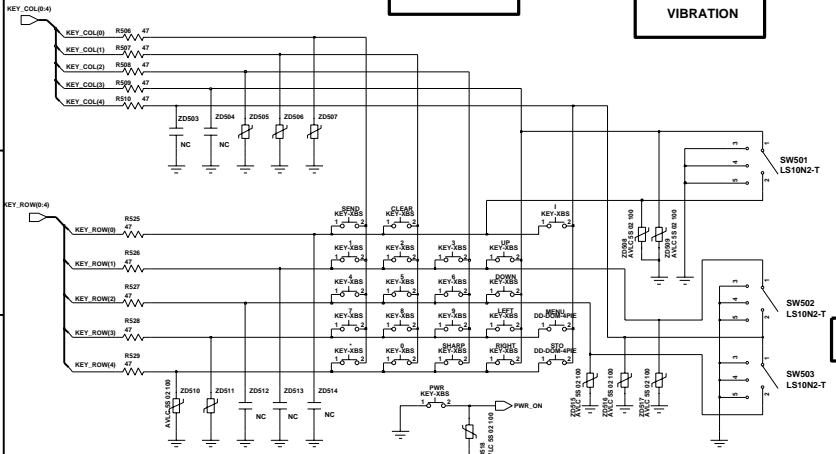
EMI FILTER

AUDIO POWER

VIBRATION



LCD CONNECTOR



BACK LIGHT LED

KEY

Engineer	Son C.W.	SAMSUNG ELECTRONICS	Sheet 5 of 7
Drawn by	Son C.W.		
R&D CHK	Son C.W.		
DDC CTRL CHK			
MFG ENGR CHK		SGH-X660 REV.0.5	

A

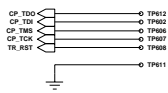
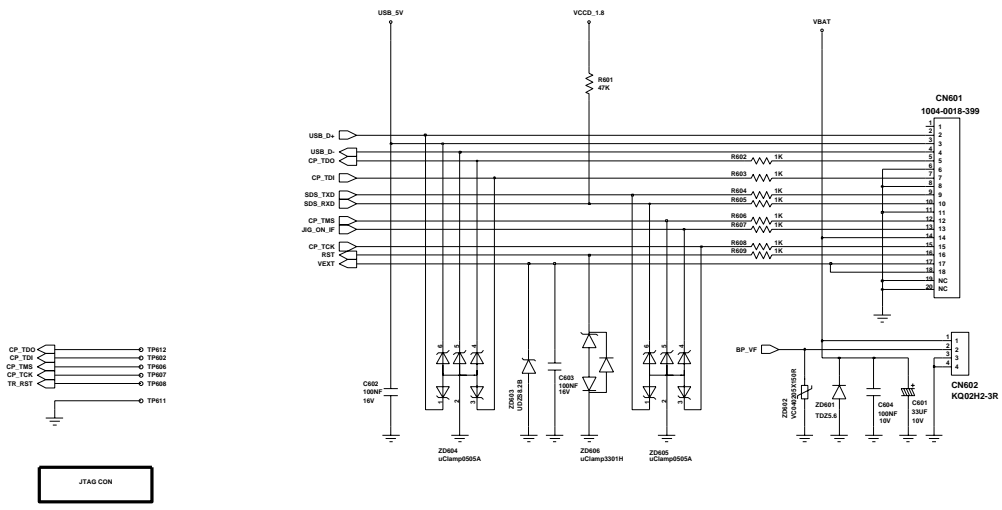
B

C

D

E

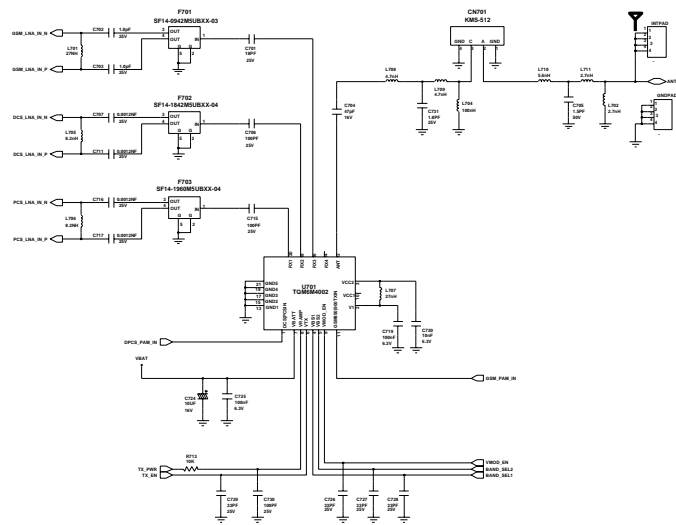
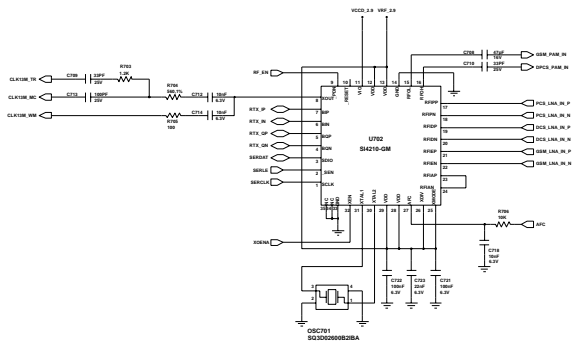
F



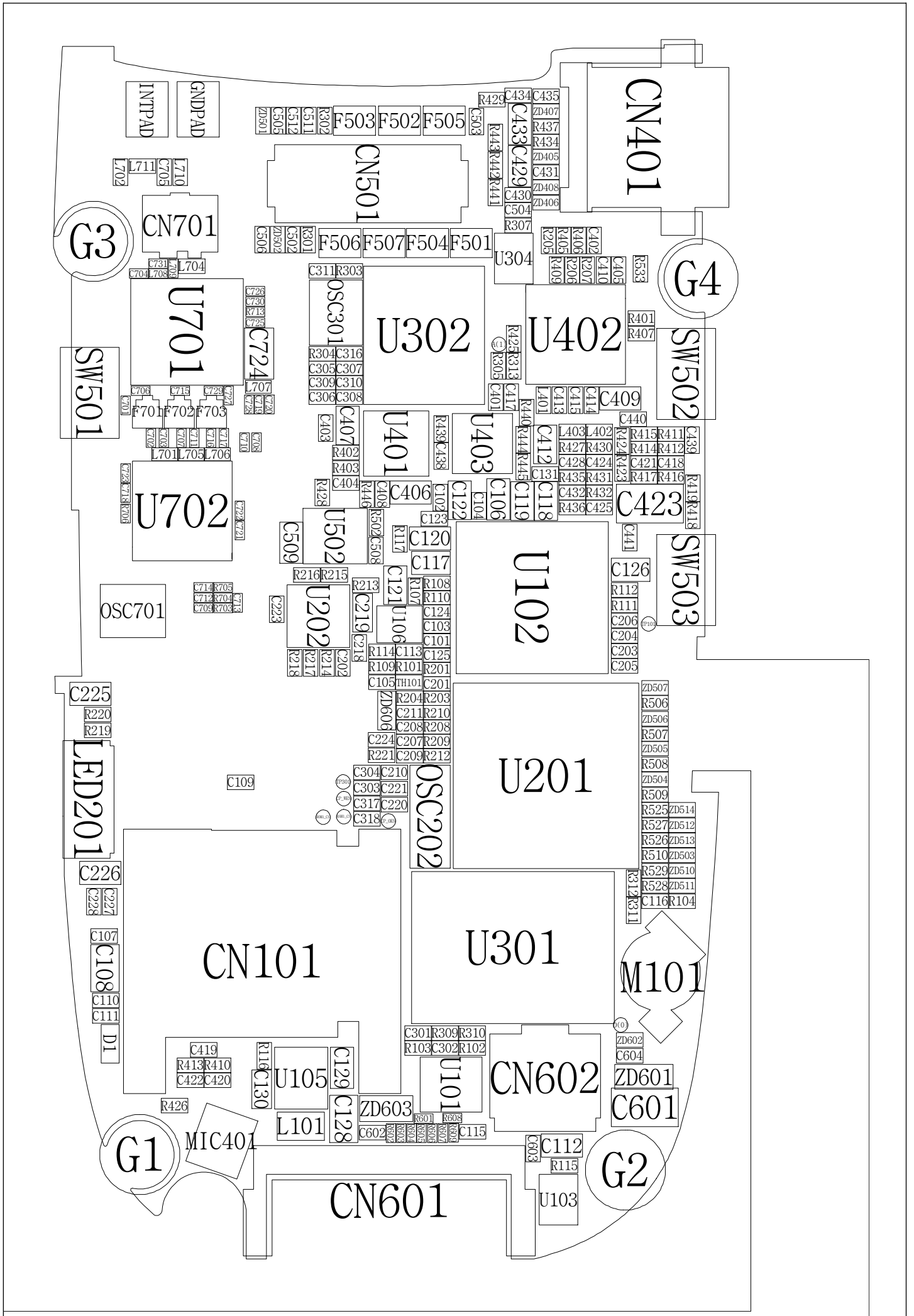
JTAG CON

I/F CONNECTOR

Engineer	Sen C.W.	SAMSUNG ELECTRONICS	TITLE: Size A3
Drawn by	Sen C.W.		
R&D CHK			
DOC CTRL CHK			
MFG ENGR CHK		SGH-X660 REV0.5	



RF PART





ZD404 C426
ZD403 R433
ZD402 R422
R421 C427
ZD401 R420

LED506
R516

U303
C313
U501
C507

UP

L201 C217
R211 C216
U204

LED510
R529

LED518

LEFT

I

RIGHT

LED517
R632

MENU

STO

ZD516
ZD515
ZD517
ZD508

LED509
R519

DOWN

R521 ZD509
LED511

SEND

LED501
R514

CLEAR

LED505
R515

PWR

R524 LED514

1

LED513
R522

2

LED502
R512

3

R523 LED513 ZD518

4

TP605

5

6

LED516
R531

7

H01_TF

LED507
R517

8

LED508
R518

9

LED515
R530

TP612 TP606 TP607
TP611 TP608 TP602

*

LED503
R513

0

R514 LED504

SHARP

TP203 TP201

ZD605

ZD604