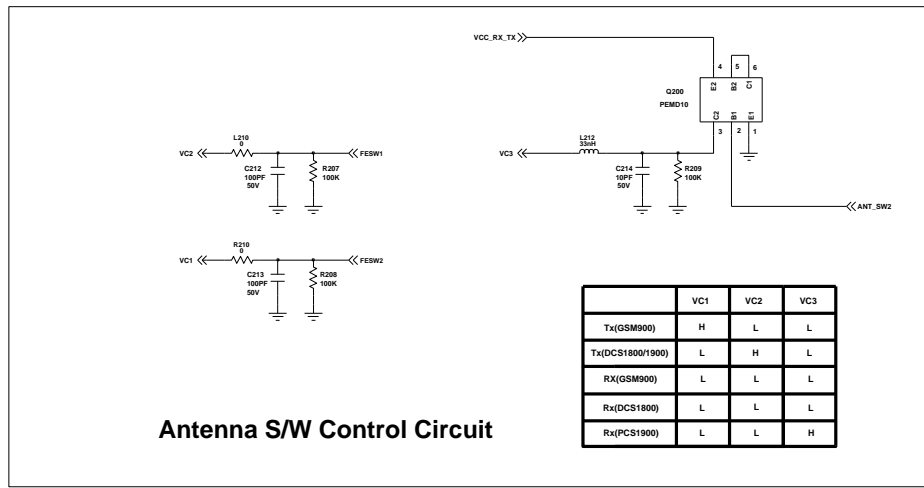
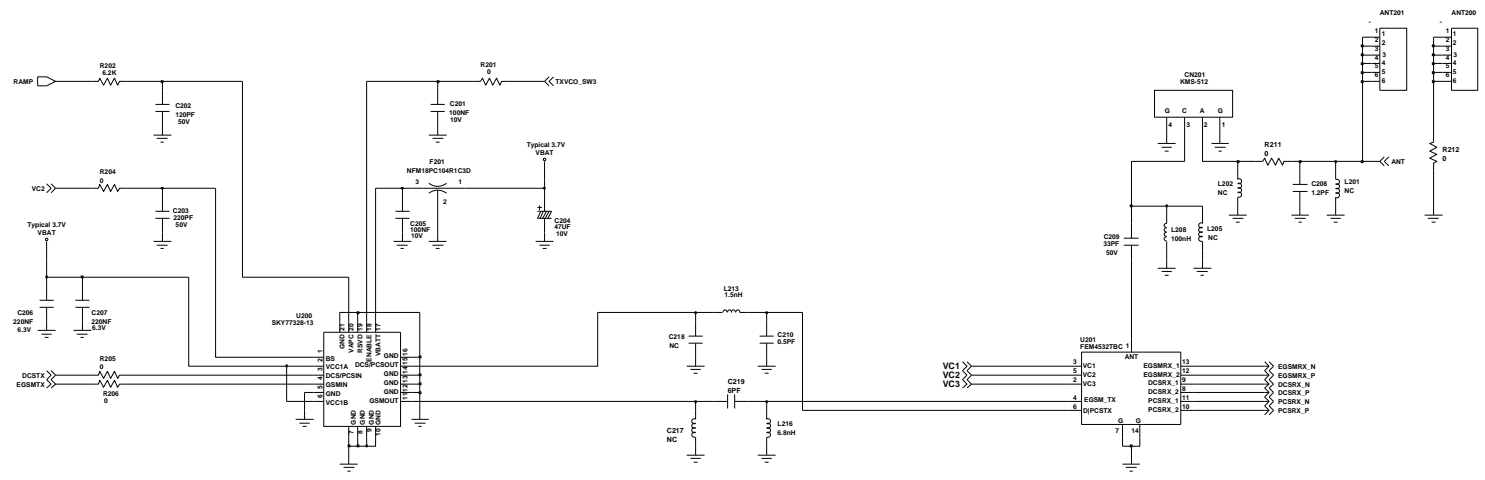
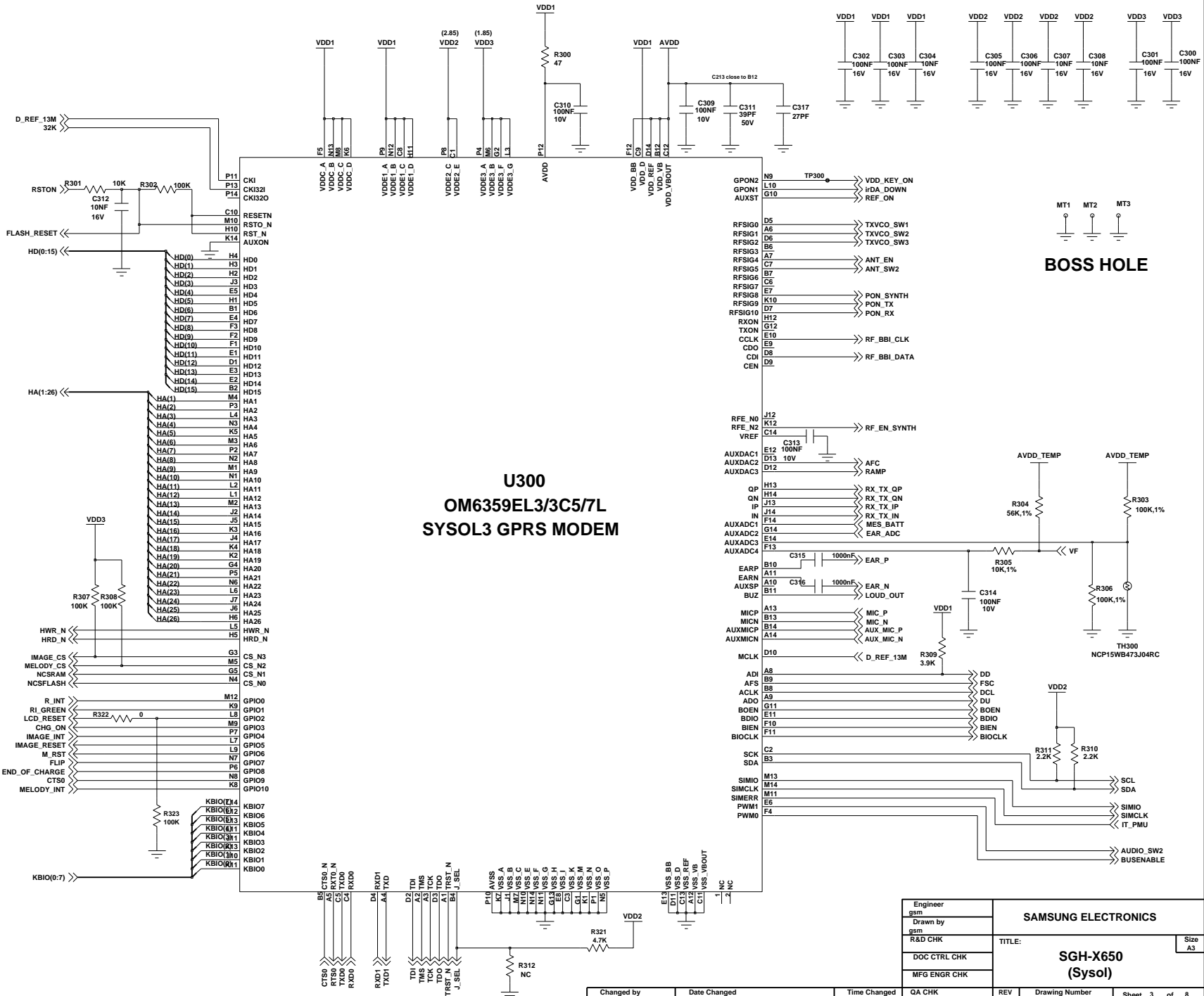


Engineer gsm	SAMSUNG ELECTRONICS	
Drawn By gsm	TITLE	Size A3
READ CHK	SGH-X650	
DOC CTRL CHK	(RF part)	
MFG ENGR CHK		

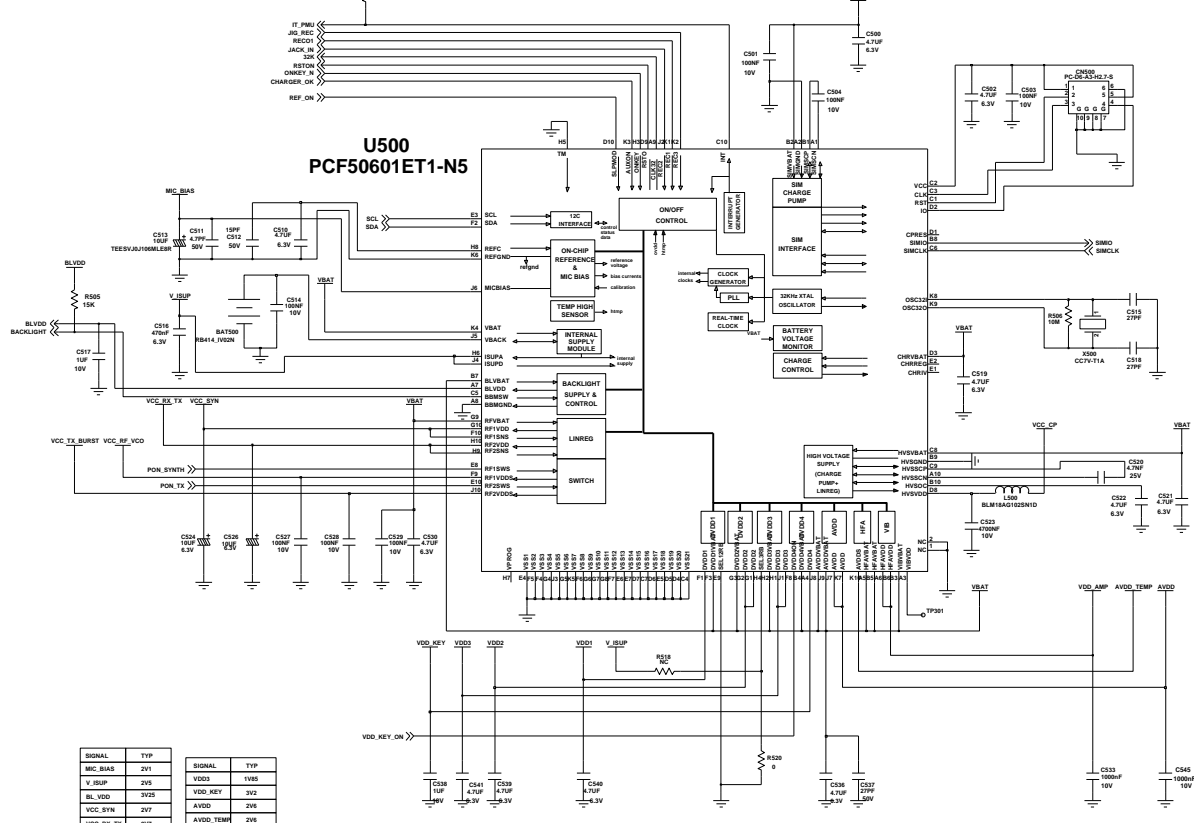




U30
OM6359EL3/3C5/7L
SYSOL3 GPRS MODEM

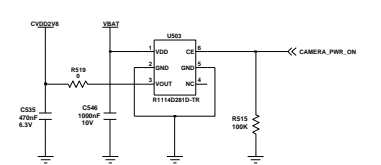
Engineer gsm	SAMSUNG ELECTRONICS		Size A3
Drawn by gsm			
R&D CHK	TITLE:		
DOC CTRL CHK	SGH-X650		
MFG ENGR CHK	(Sysol)		
QA CHK	REV 0.6	Drawing Number	Sheet 3 of 8

Changed by gsm	Date Changed Friday, March 10, 2006	Time Changed
-------------------	--	--------------

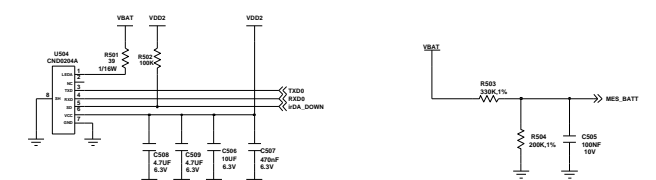


SIGNAL	TYP	SIGNAL	TYP
MIC_BIAS	2V1	VDD3	1V8
V_ILSUP	2V5	VDD_KEY	3V3
BL_VDD	3V25	AVDD	2V8
VCC_SYN	2V7	AVDD_TEMP	2V8
VDD_RX_TX	2V7	VDD_AMP	?
VDD_RF_VDD	2V7	VBVDD	3V
VCC_RX_BURST	2V7	VCC_CP	4V
VDD1	1V75	SIMVDD	3V
VDD2	2V85		

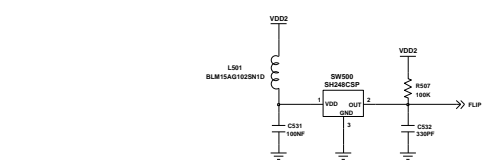
POWER MANAGEMENT UNIT (PMU IC)



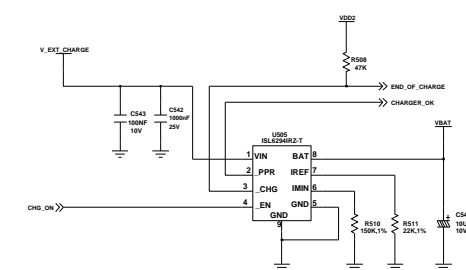
CAMERA POWER



IRDA

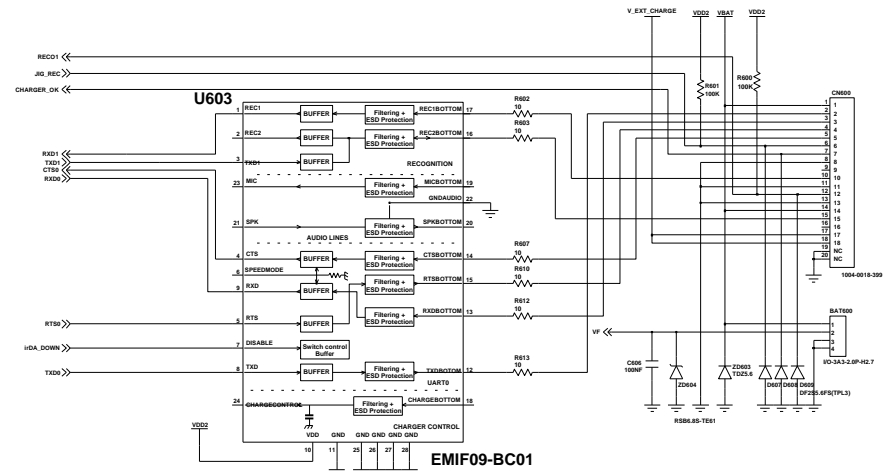
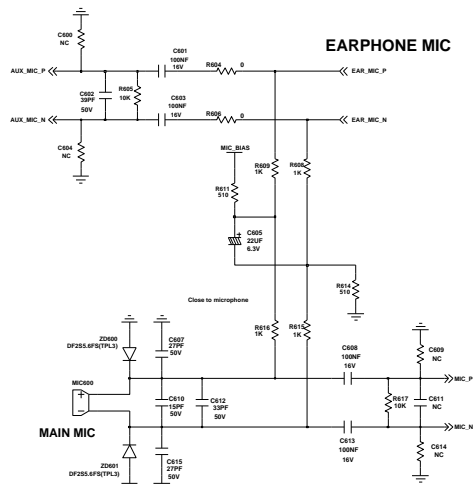


FLIP



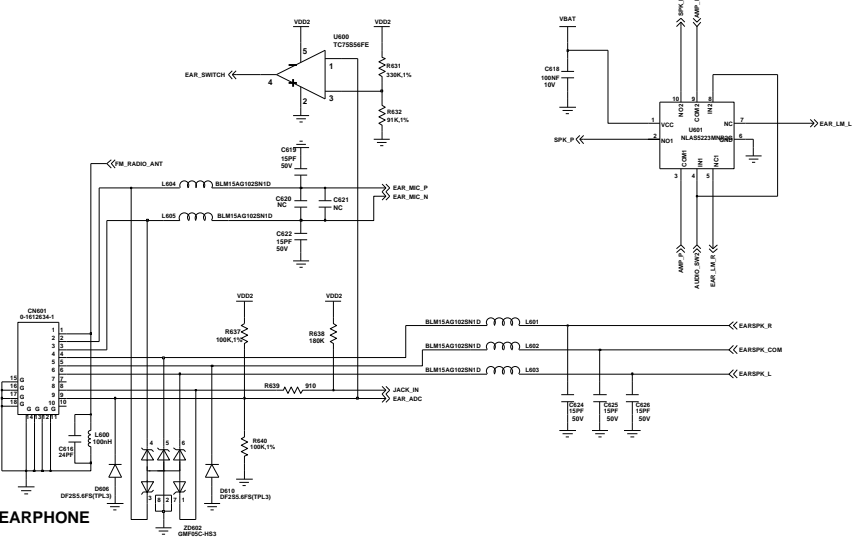
CHARGER IC

Engineer	SAMSUNG ELECTRONICS
Drawn By	TITLE
RAO CHK	SGH-X650
DOC CTRL CHK	(Power management)
MFG ENGR CHK	
Changed by	QA CHK
Date Changed	REV
Friday, March 10, 2006	0.4
Time Changed	Drawing Number
	Sheet 5 of 8

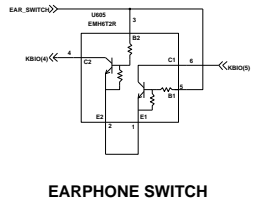


EMIF09-BC01

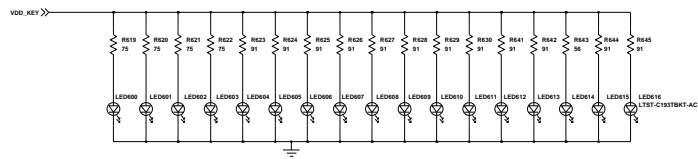
IO CONNECTOR



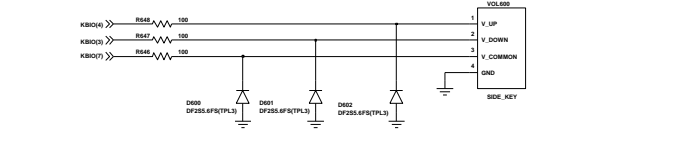
EARPHONE



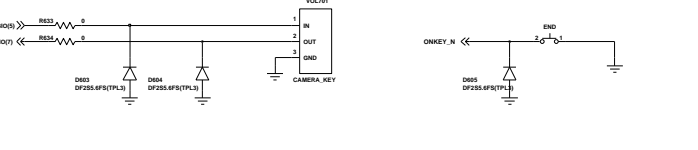
EARPHONE SWITCH



KEY LED



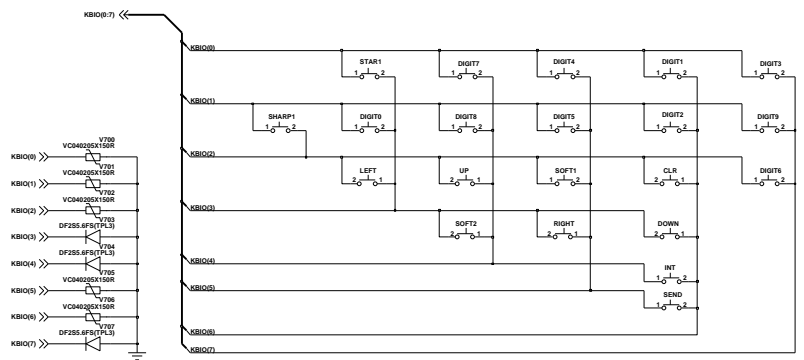
SIDE_KEY



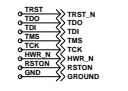
CAMERA_KEY

POWER KEY

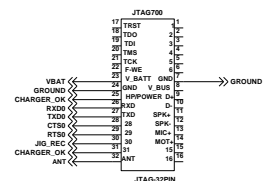
Engineer	SAMSUNG ELECTRONICS	
Drawn By	TITLE	
RAD CHK	SGH-X650	
DOC CTRL CHK	(Audio & Accessory)	
MFG ENGR CHK	REV	
QA CHK	REV	0.5
Chnged by	Date Chnged	Time Chnged
	Friday, March 10, 2006	
GA CHK	REV	0.5
Drawing Number	Sheet	6 of 8



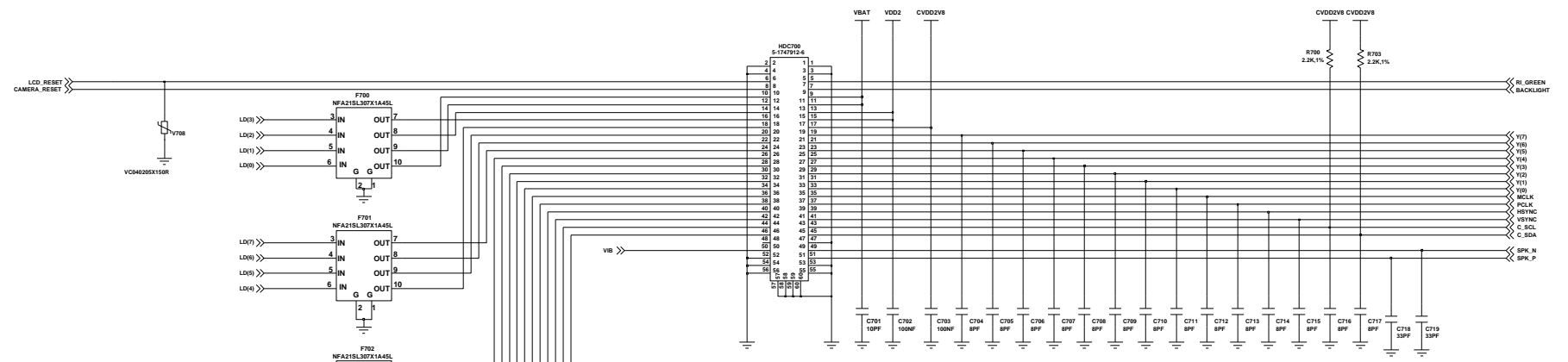
MAIN KEY MAP



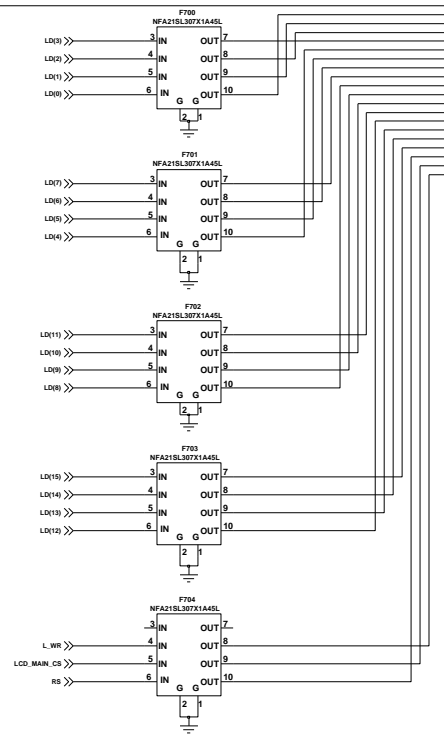
JTAG

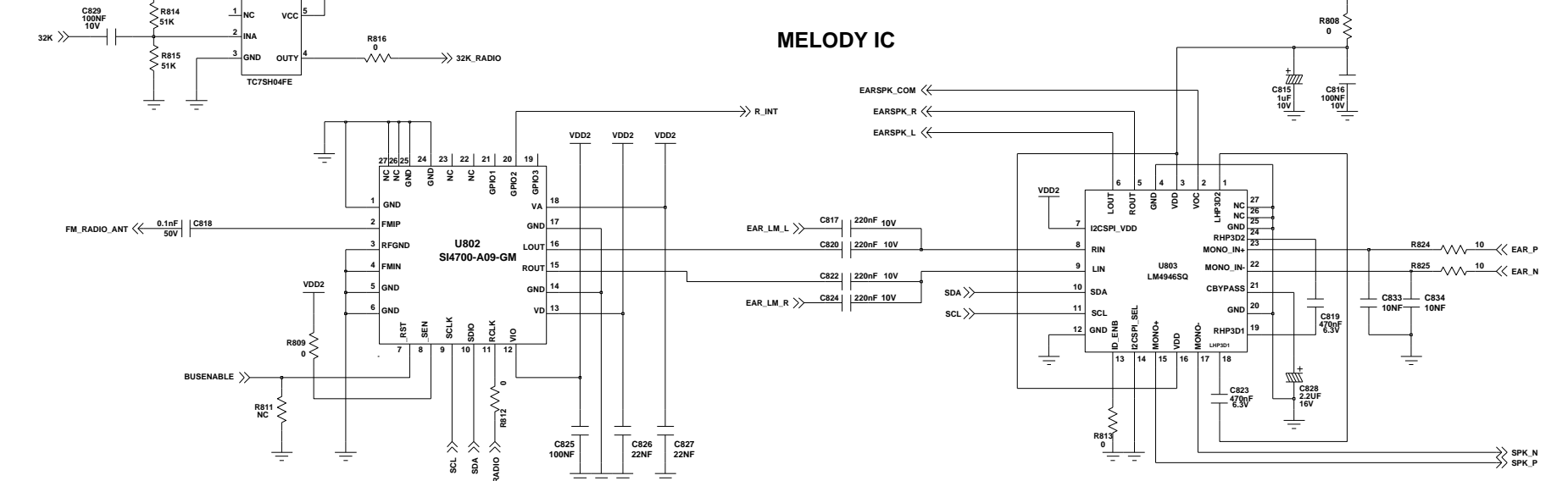
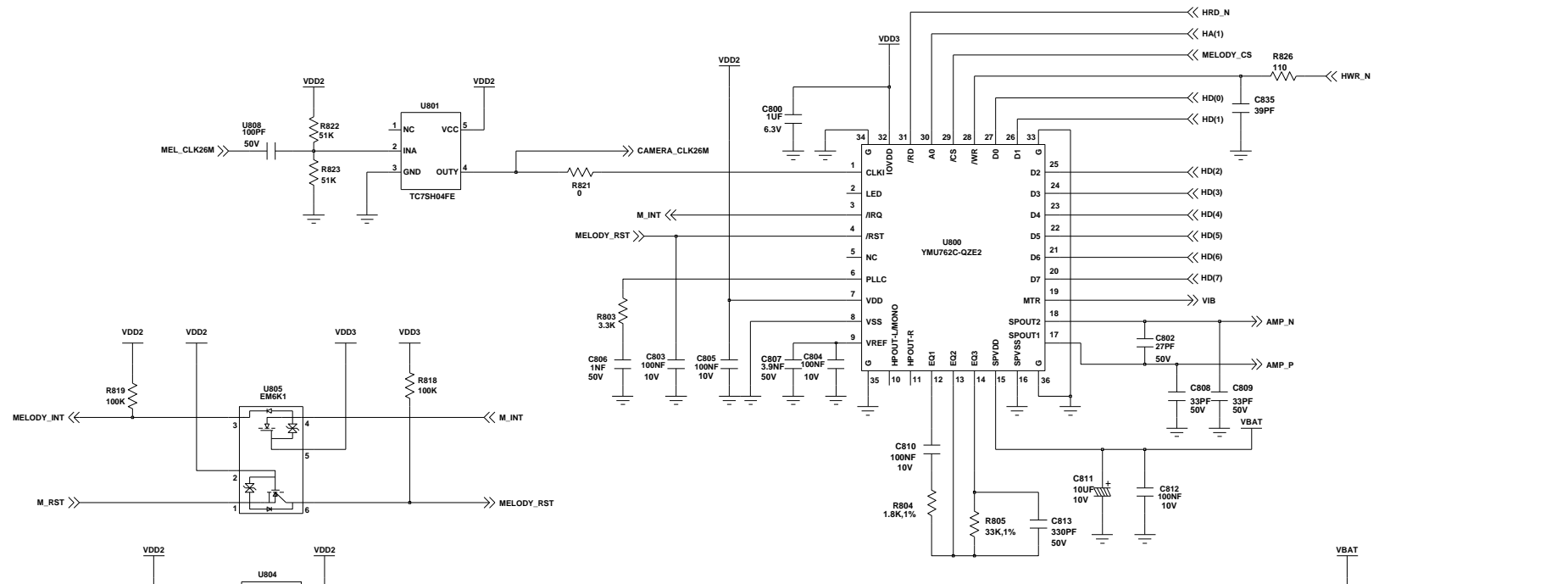


JTAG-2



LCD CONNECTOR





Engineer gsm		SAMSUNG ELECTRONICS				
Drawn by gsm						
R&D CHK		TITLE:				
DOC CTRL CHK		SGH-X650 (Melody & FM radio)				
MFG ENGR CHK						
Changed by gsm	Date Changed Friday, March 10, 2006	Time Changed	QA CHK	REV 0.6	Drawing Number	Sheet 8 of 8

SAMSUNG ELECTRONICS

SGH-X650
(Melody & FM radio)

Size A3