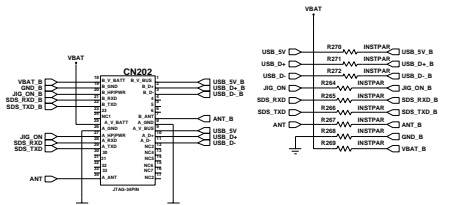
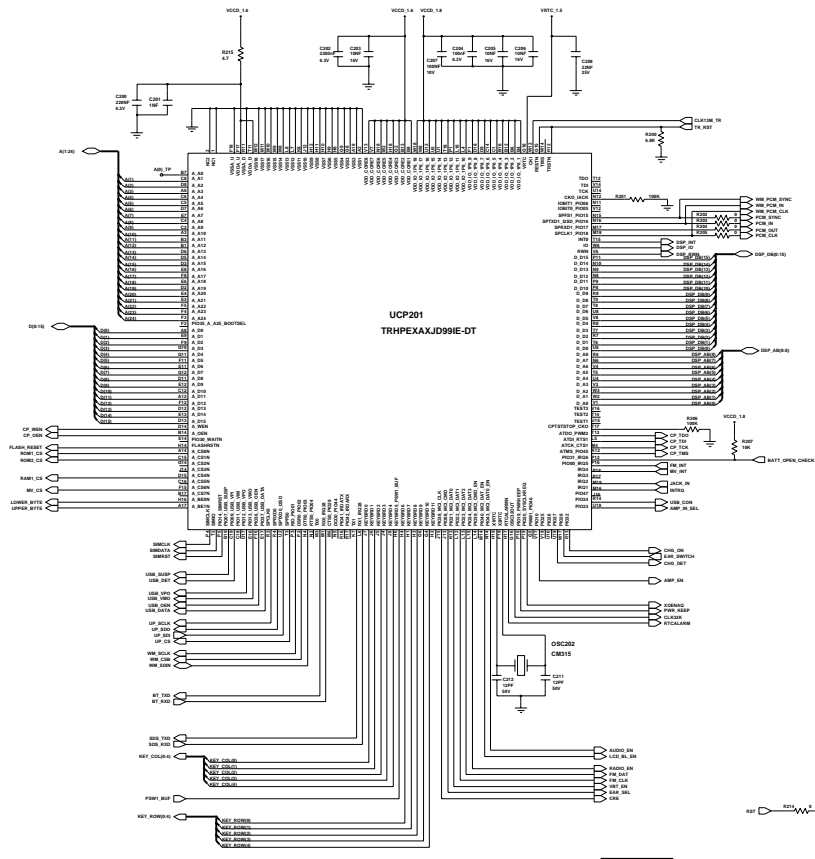
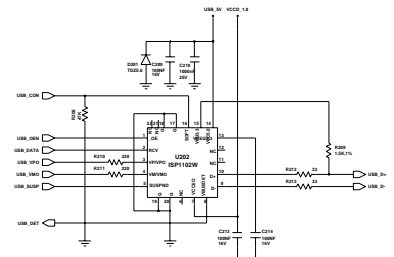


CHARGER

UCD102
G-CSP2750C1-YV10-LDT

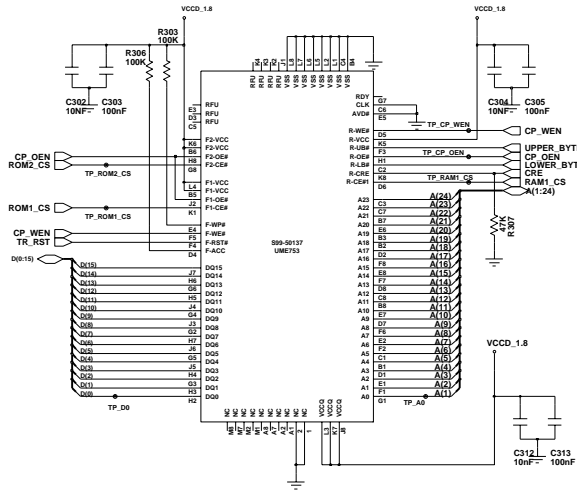


JTAG

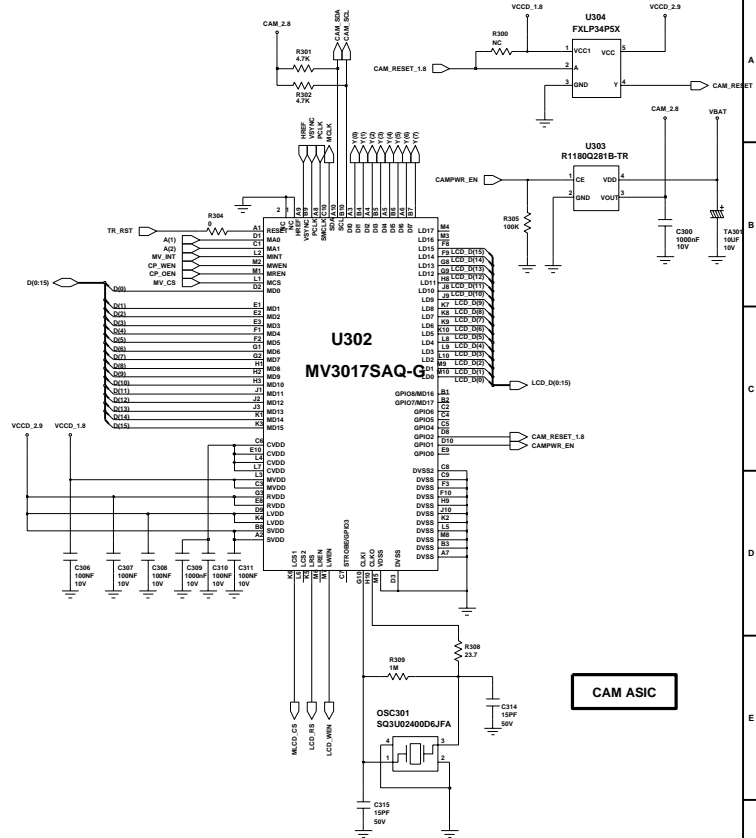


BOARD_HOLE

DESIGNED BY	CHKD BY	SAMSUNG ELECTRONICS	
DRAWN BY	DATE	REV	REV
DATE	DATE	DESCRIPTION	DESCRIPTION
DATE	DATE	DATE	DATE
SGH-X630 Rev.1.1A			
DESIGN NO.	JOB NO.	DATE	REV.
DESIGNER	DESIGN CHECKER	DATE	DATE
DATE	DATE	DATE	DATE

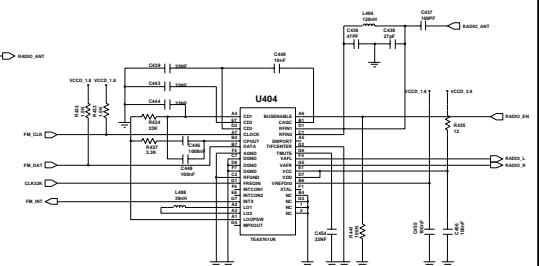
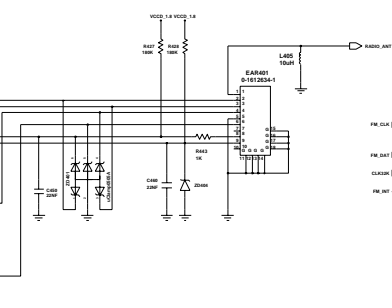
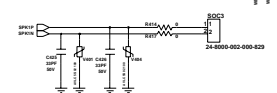
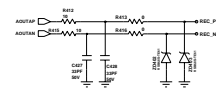
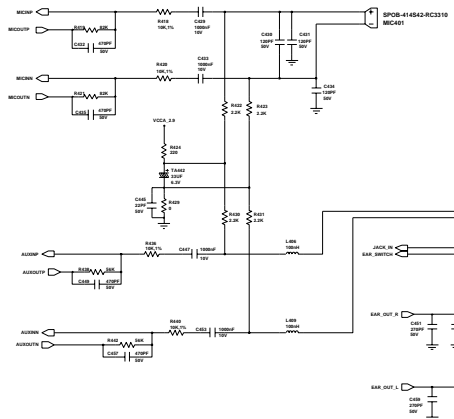
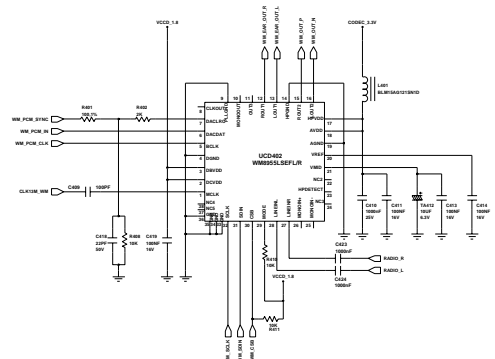
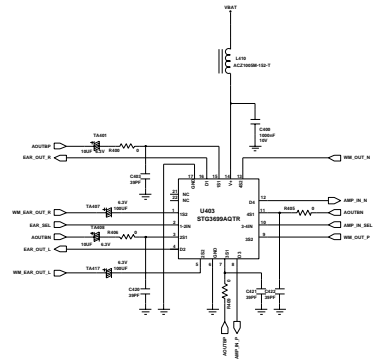
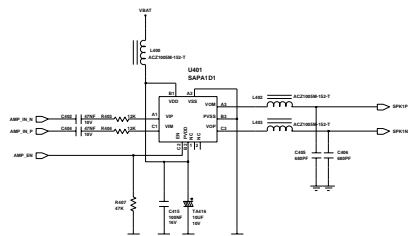


MEMORY



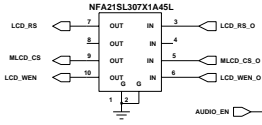
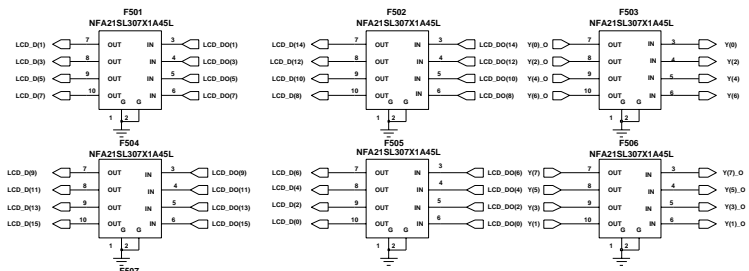
CAM ASIC

Engineer	CHA K.S	SAMSUNG ELECTRONICS	Site AS
Drawn by	CHA K.S.		
R&D CHK		TITLE:	
DOC CTRL CHK			
MFG ENGR CHK			
SGH-X630 Rev1.1A			

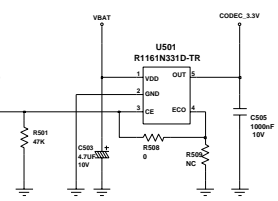


AUDIO

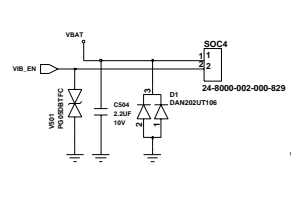
DESIGNED BY	CHA R.S.	SAMSUNG ELECTRONICS
DRAWN BY	CHA R.S.	
CHECKED BY		
APPROVED BY		
DATE		REV
SGH-X630 Rev1.1A		1/1



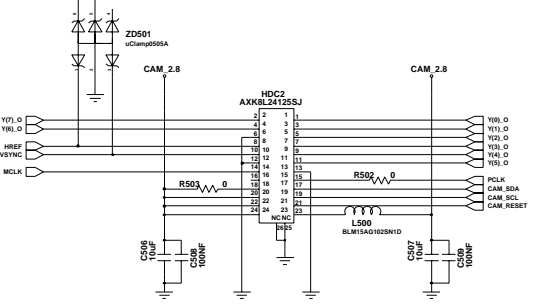
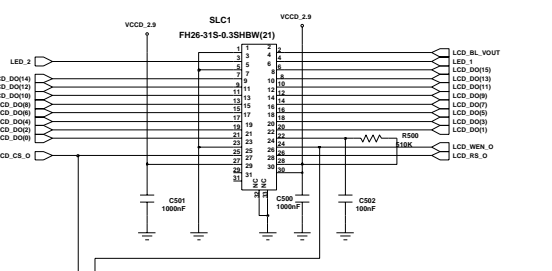
EMI FILTER



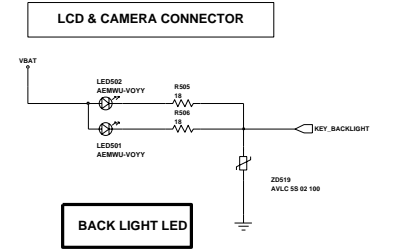
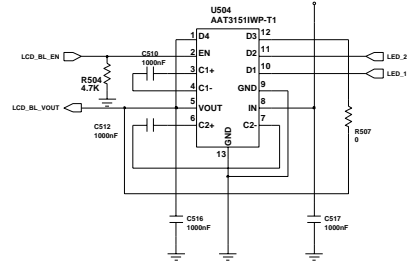
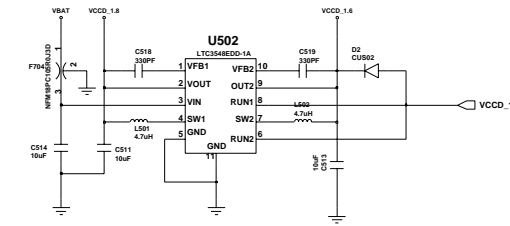
AUDIO POWER



VIBRATION

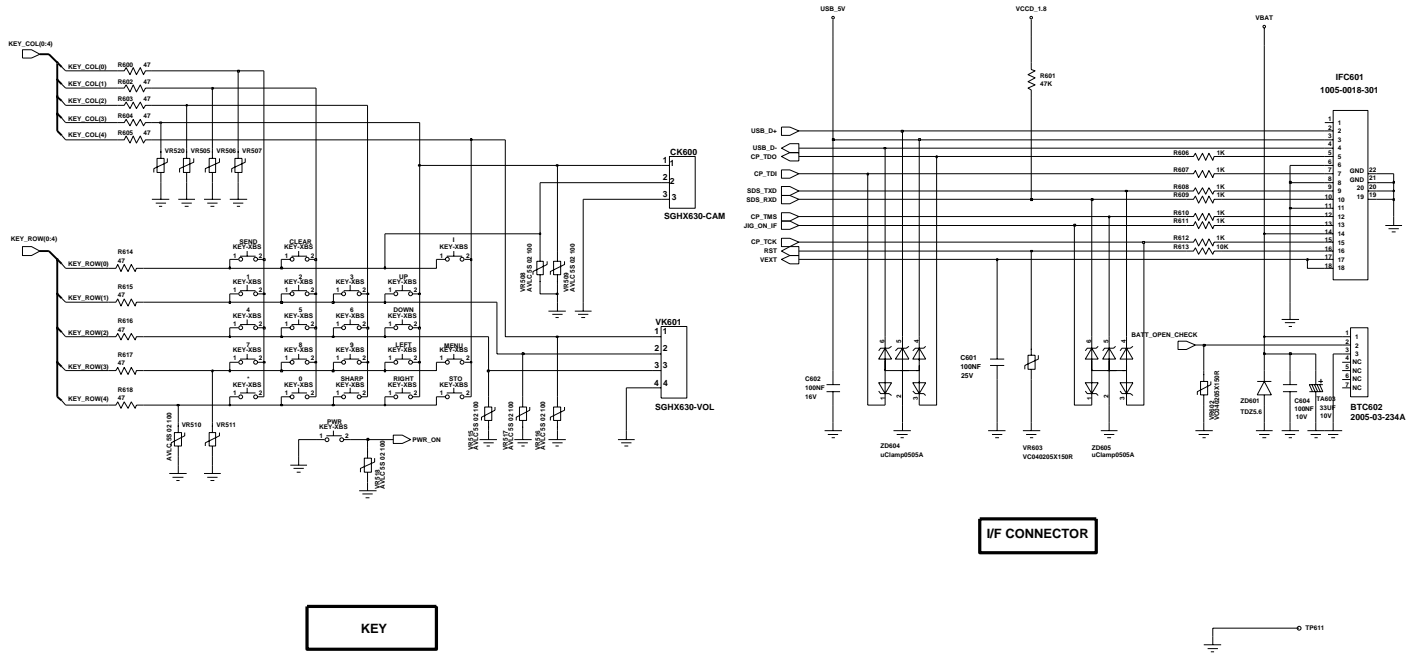


LCD & CAMERA CONNECTOR



BACK LIGHT LED

Engineer	CHA K.S.	SAMSUNG ELECTRONICS	Size A3	
Drawn by	CHA K.S.			
R&D CHK				TITLE:
DOC CTRL CHK				SGH-X630 Rev1.1A
MFG ENGR CHK		REV	Drawing Number	



KEY

I/F CONNECTOR

Engineer	CHA K.S.	SAMSUNG ELECTRONICS	
Drawn by	CHA K.S.	TITLE:	Site AS
R&D CHK			
DOC CTRL CHK			
MFG ENDR CHK		SGH-X630 Rev1.1A	

