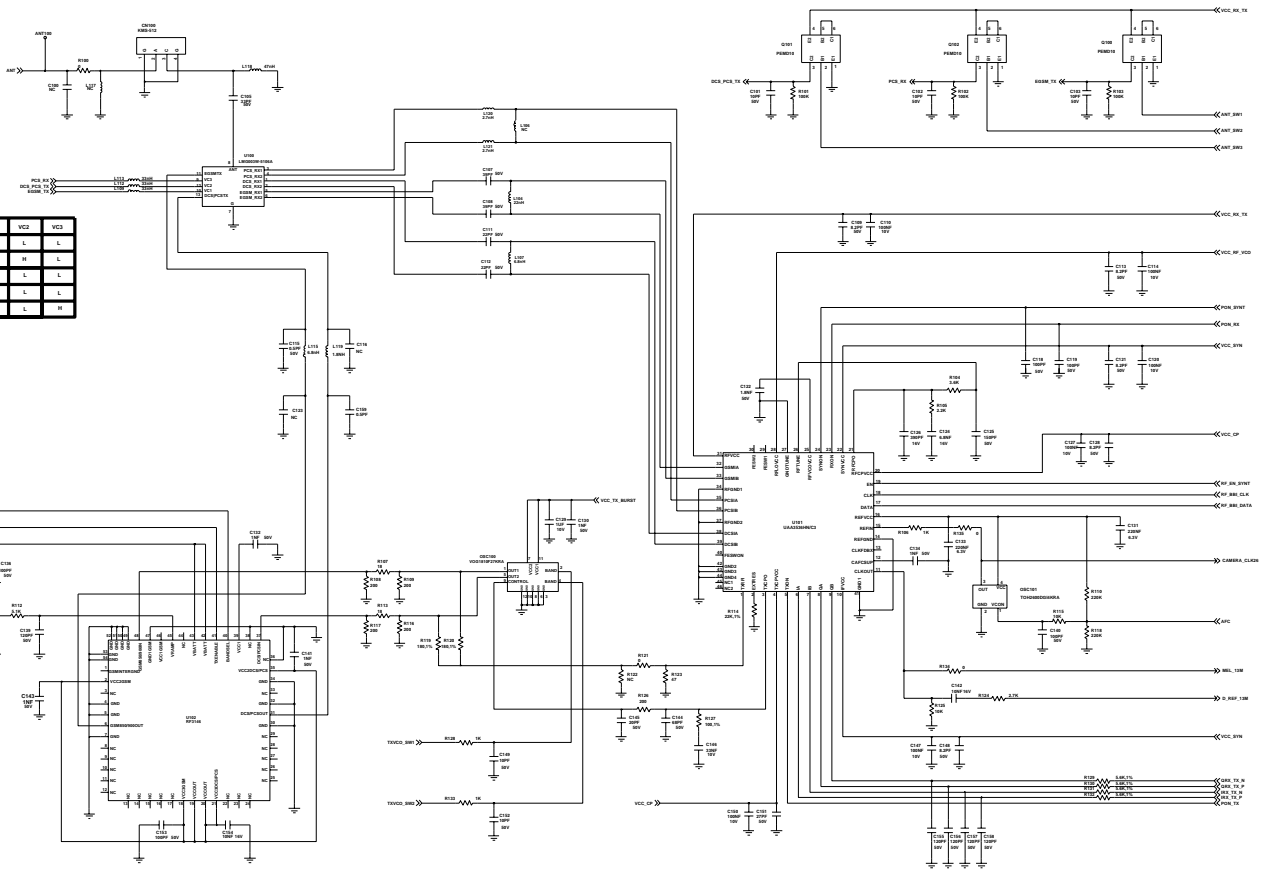
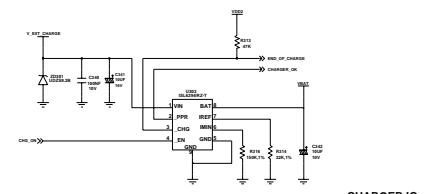
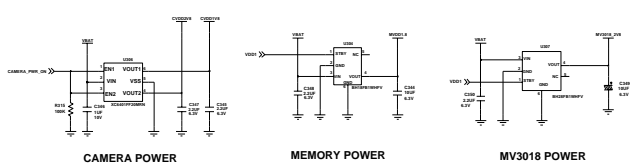
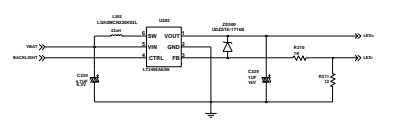
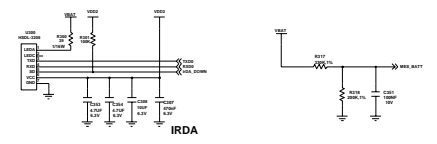
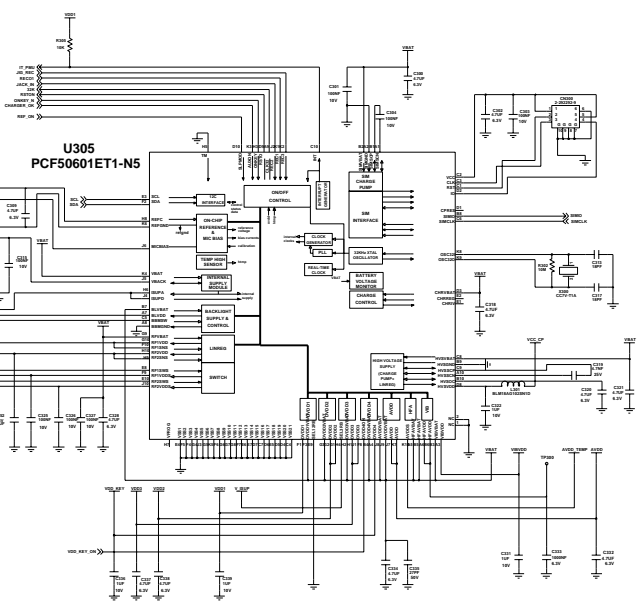


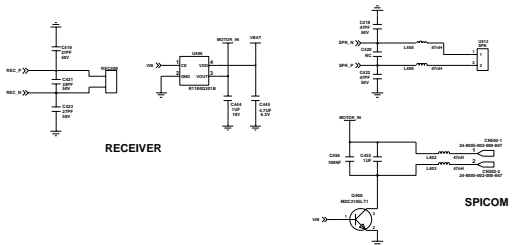
	VCI	VCC	VCC3
Tu0000000	H	L	L
Tu0000000000	L	H	L
Ru0000000	L	L	L
Ru00000000	L	L	L
Ru000000000	L	L	H





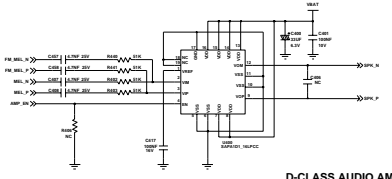
LDO

REVISION:	SGH-X620_REV3.0
DESIGN BY:	TEJAS
DESIGN DATE:	
DESIGN CHECKER:	
APPROVED BY:	POWER MANAGEMENT UNIT

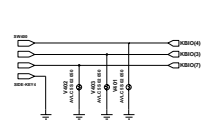


RECEIVER

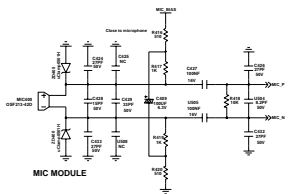
SPICOM



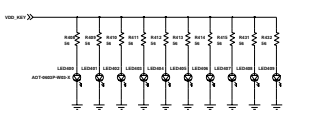
D-CLASS AUDIO AMP



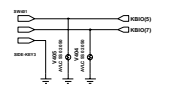
UP_DOWN_PTT KEY



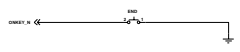
MIC MODULE



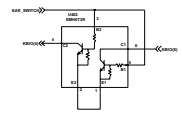
KEY LED



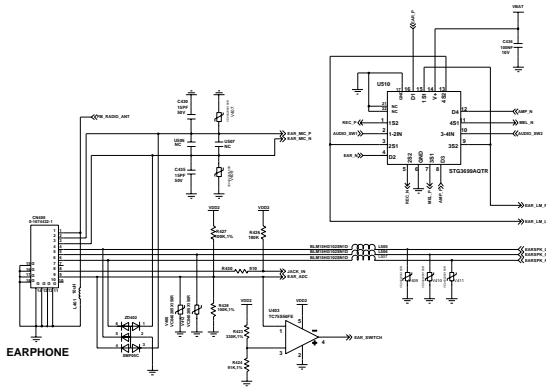
CAMERA KEY



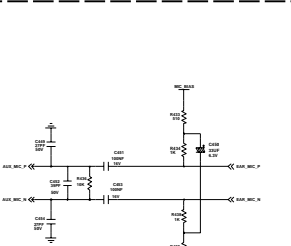
POWER KEY



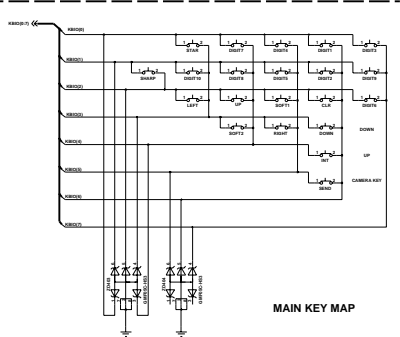
EARPHONE SWITCH



EARPHONE

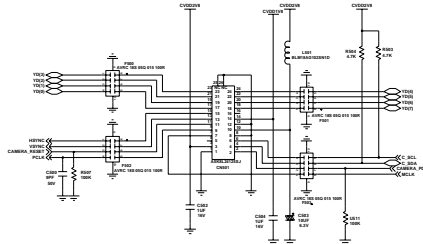


EARPHONE MIC

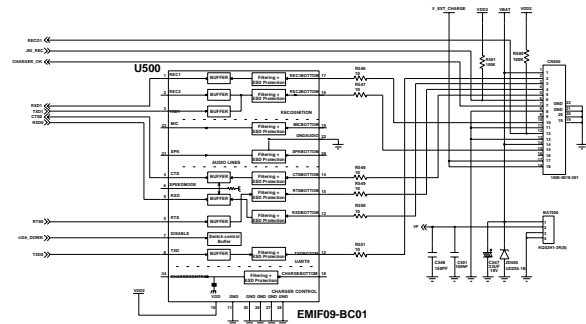


MAIN KEY MAP

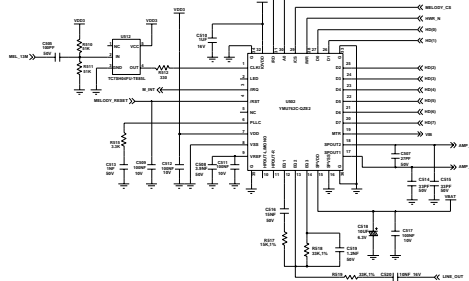
PROJECT	SGH-X620_REV3.0
DESIGN BY	DATE
DESIGN CHECK	DATE
APPROVED BY	DATE
AUDIO BLOCK & KEY	
DESIGNED BY	DATE
DESIGN CHECK	DATE
APPROVED BY	DATE



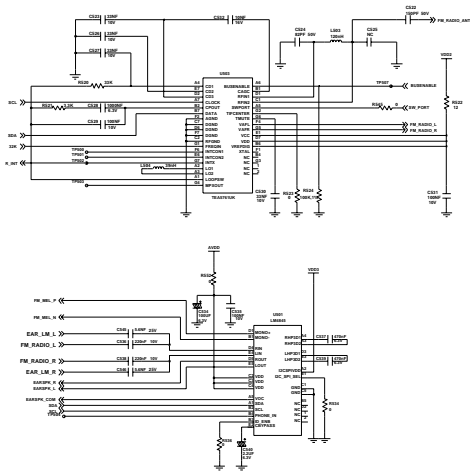
SEMCO CAMERA(AU60E)



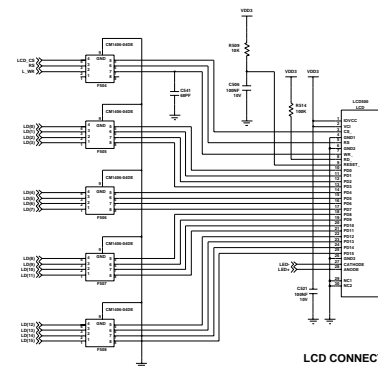
IO CONNECTOR



MELODY IC



FM RADIO



LCD CONNECTOR

DESIGNER	SGH-X620_REV3.0
DRAWN BY	WJL
CHECKED BY	
APPROVED BY	
LCD & Camera ETC.	
DESIGNED BY	DATE CHANGED
CHEK DATE	ISSUING REVISION
Sheet 5	of 5

