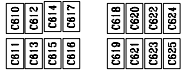
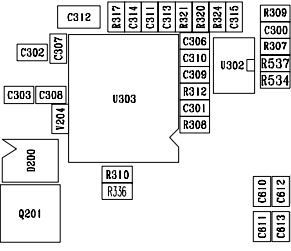
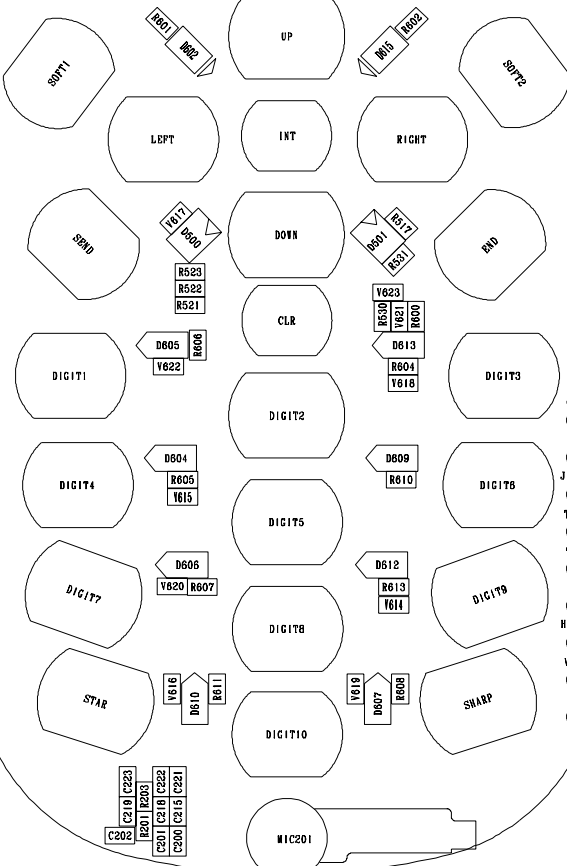


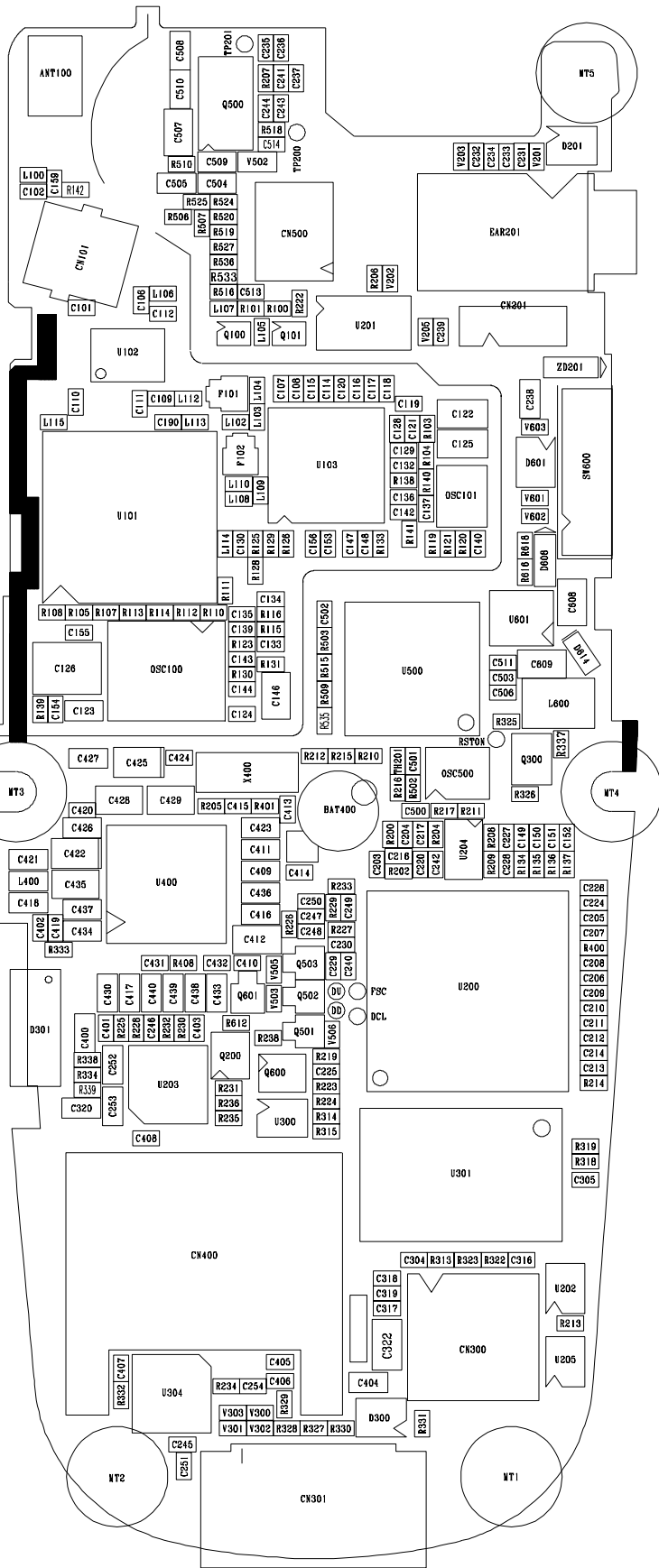
RECEIVER200



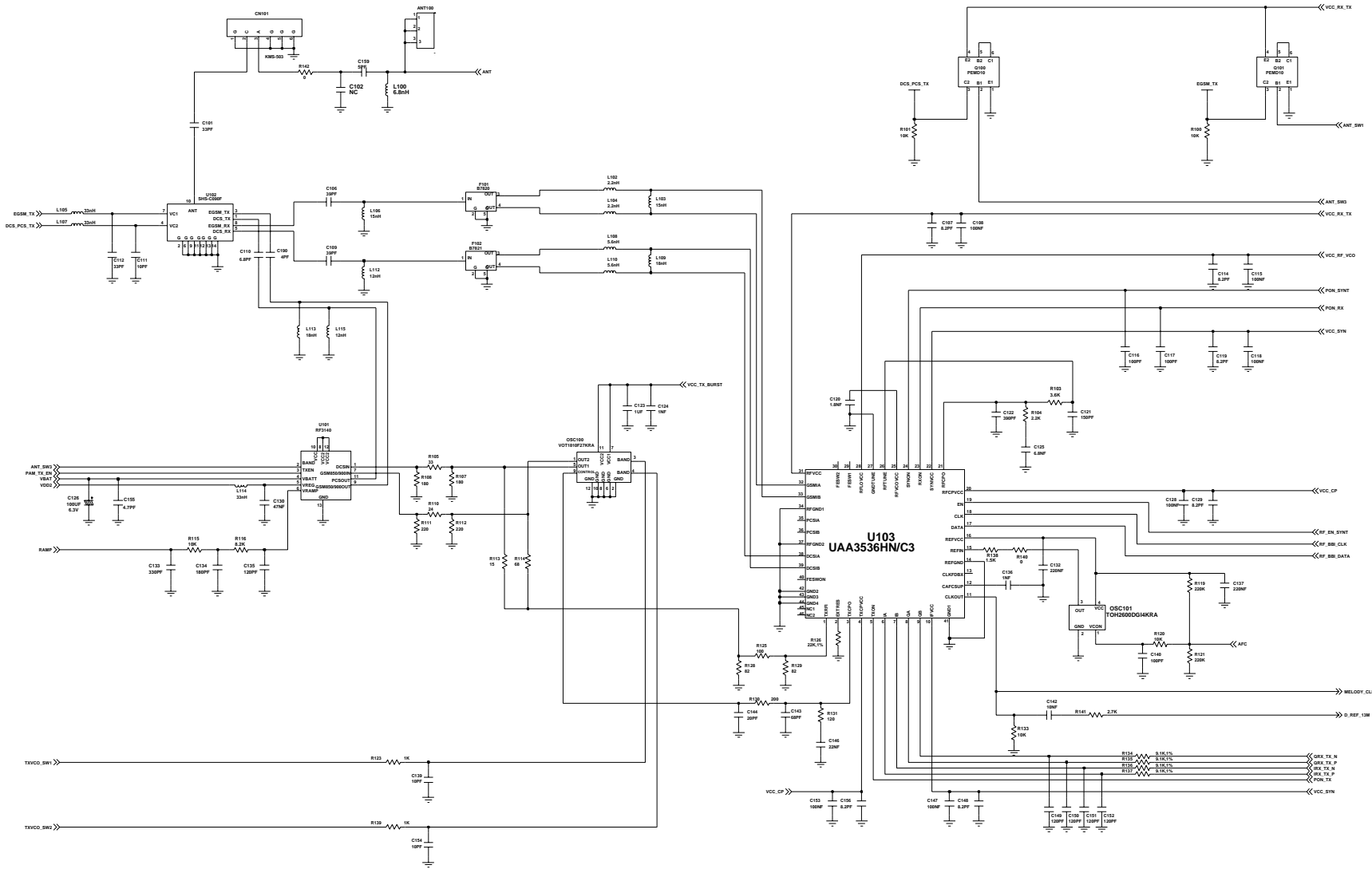
D603



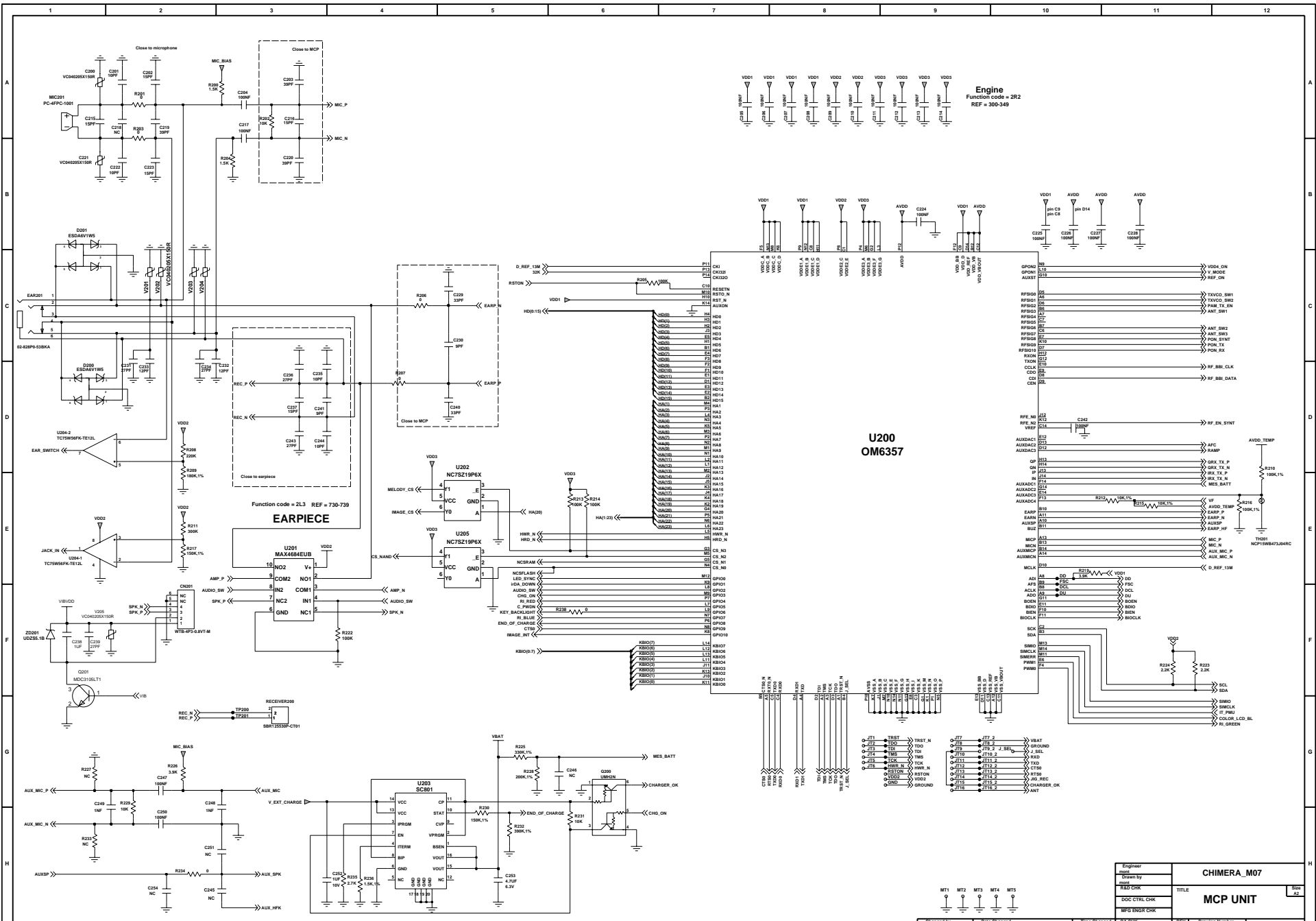
- YCK
- TWS
- J\_SEL
- TRST
- TDI
- TDO
- HWR\_N
- VDD2
- GND



- |     |     |     |     |     |     |     |     |     |      |      |      |      |      |      |      |
|-----|-----|-----|-----|-----|-----|-----|-----|-----|------|------|------|------|------|------|------|
| JT1 | JT2 | JT3 | JT4 | JT5 | JT6 | JT7 | JT8 | JT9 | JT10 | JT11 | JT12 | JT13 | JT14 | JT15 | JT16 |
|-----|-----|-----|-----|-----|-----|-----|-----|-----|------|------|------|------|------|------|------|



|              |                |              |        |
|--------------|----------------|--------------|--------|
| Engineer     | CHIMERA_M07    |              |        |
| Drawn by     | TITLE          |              |        |
| R&D CHK      | RF_Schematic   |              |        |
| DOC CTRL CHK | REV            |              |        |
| MFG ENGR CHK | Drawing Number |              |        |
| Changed by   | Date Changed   | Time Changed | QA CHK |
|              | 2003.10.07     |              |        |
| Sheet 1 of 6 |                |              | 12     |



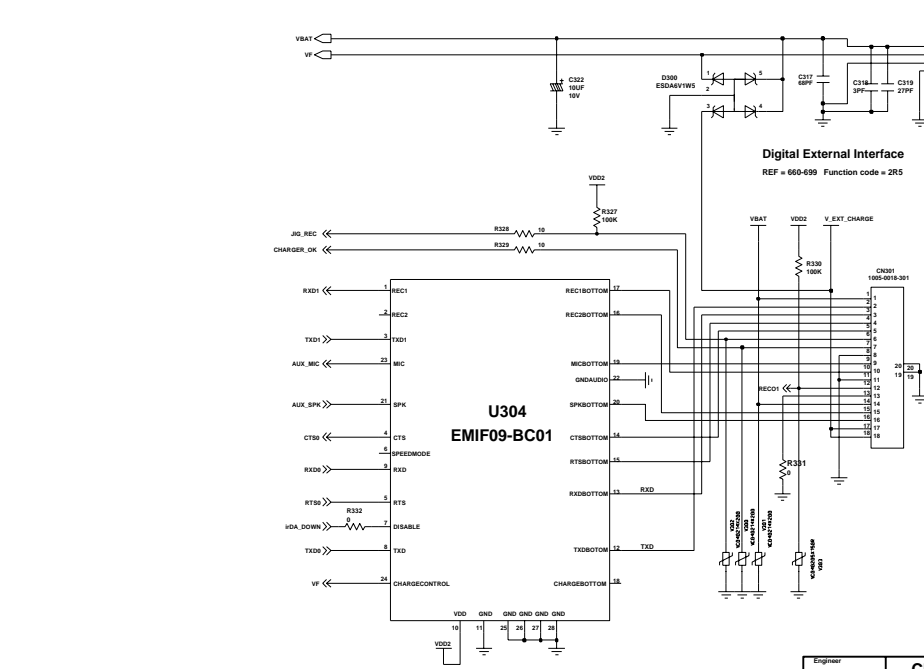
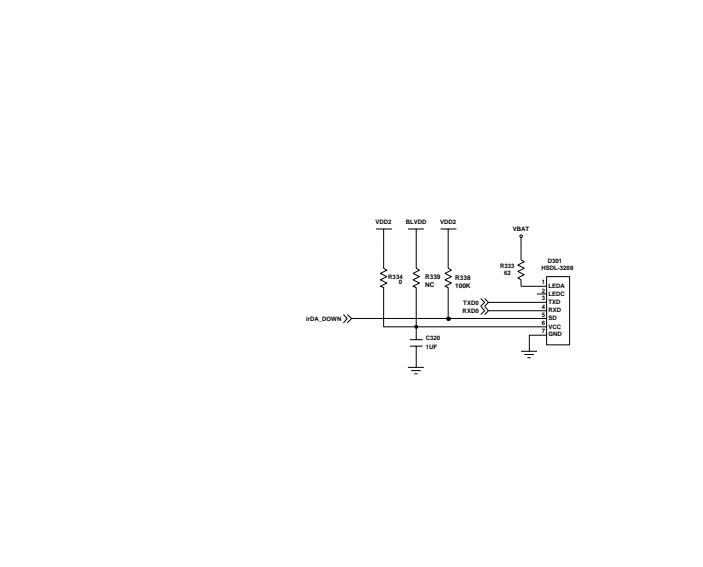
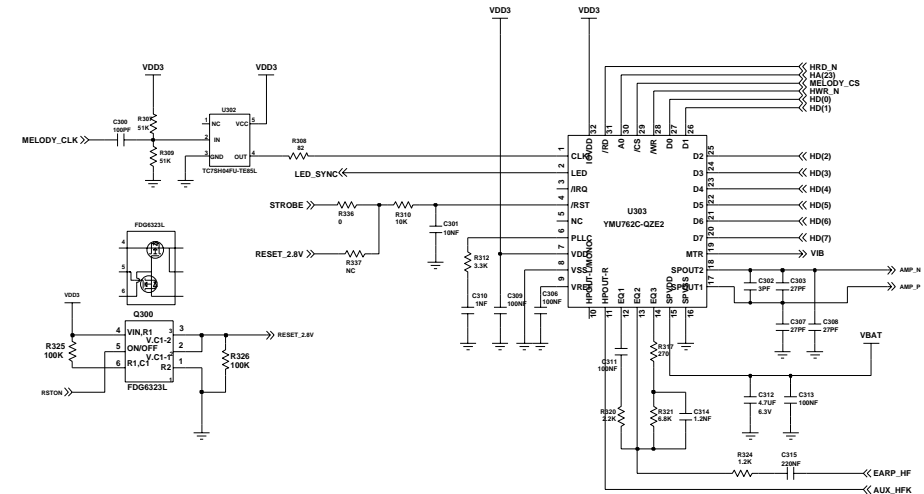
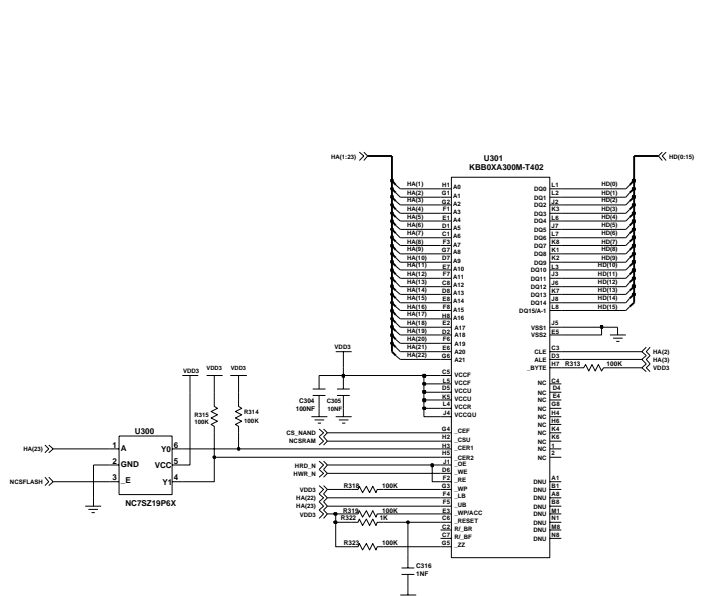
Engine  
Function code = 2R2  
REF = 300-349

U200  
OM6357

Function code = 2L3  
REF = 730-739

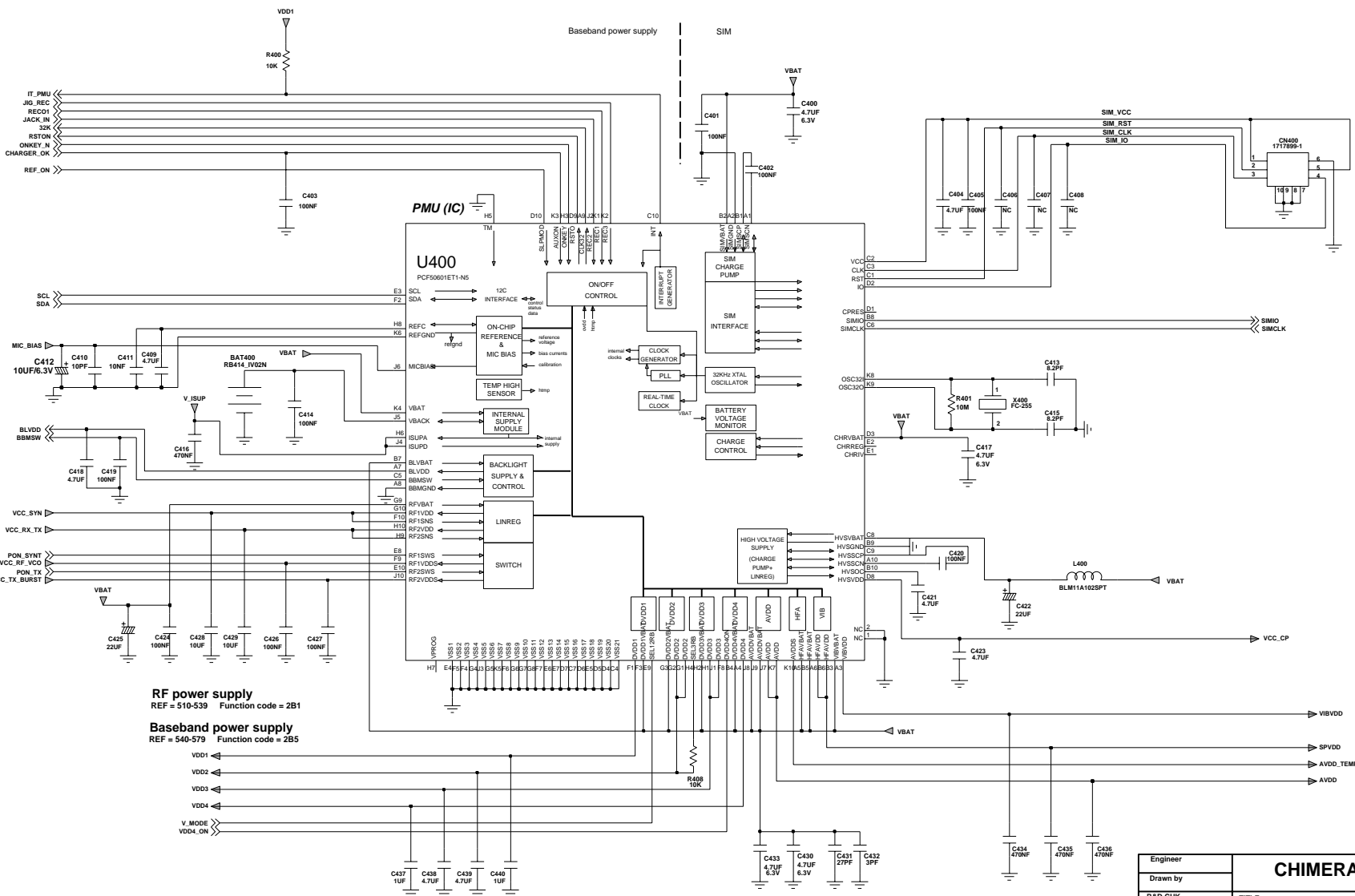
EARPIECE

|              |              |
|--------------|--------------|
| Engine       | CHIMERA_M07  |
| Sheet by     |              |
| Rev'd        |              |
| Rev'd Chk    | TITLE        |
| DOC CTRL CHK | MCP UNIT     |
| MFG ENDR CHK | Sheet 2 of 6 |



Digital External Interface  
REF = 660-699 Function code = 2R5

|              |                         |
|--------------|-------------------------|
| Engineer     | CHIMERA_M07             |
| Drawn by     |                         |
| RESD CKR     | TITLE                   |
| DOC CTRL CKR |                         |
| MPD ENDR CKR | Memory & melody         |
| Changed by   | Date Changed 2003.10.07 |
| Time Changed | GA CKR                  |
| REV          | Drawing Number          |
| Sheet 3      | of 6                    |



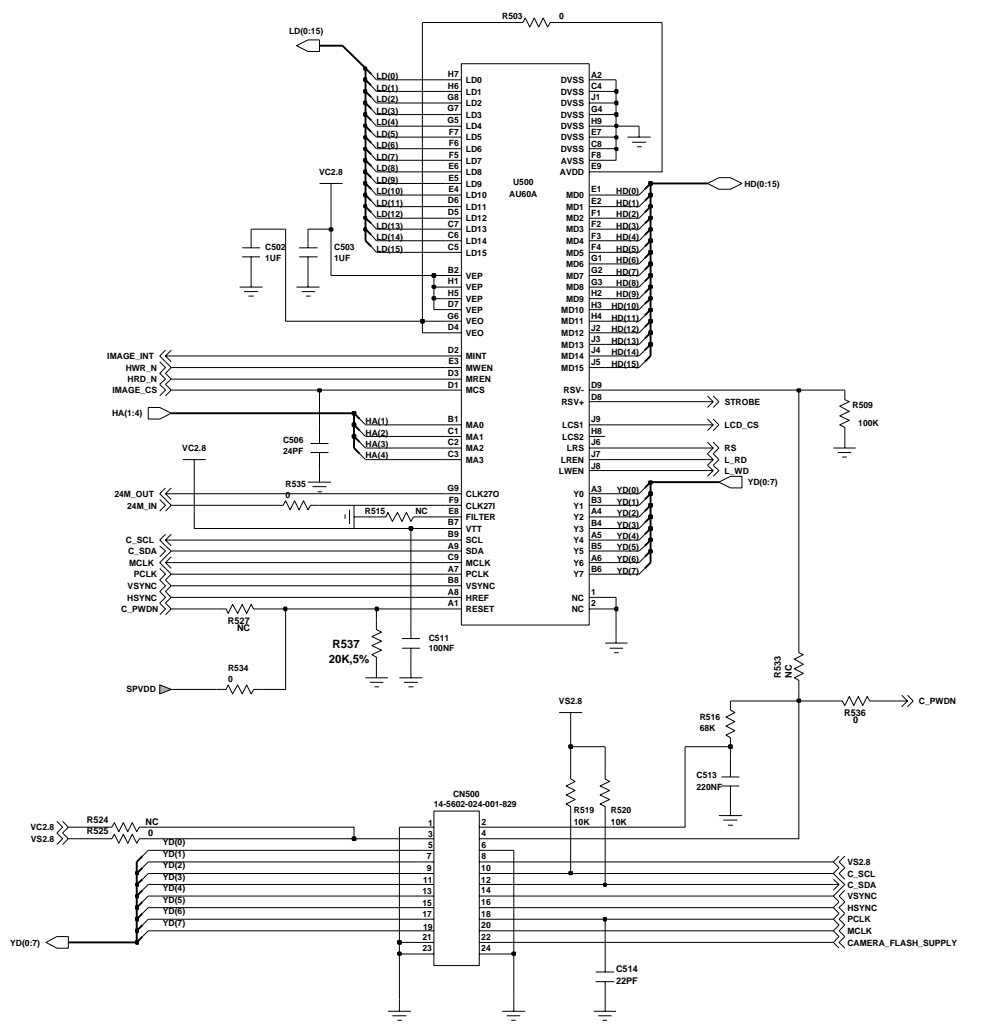
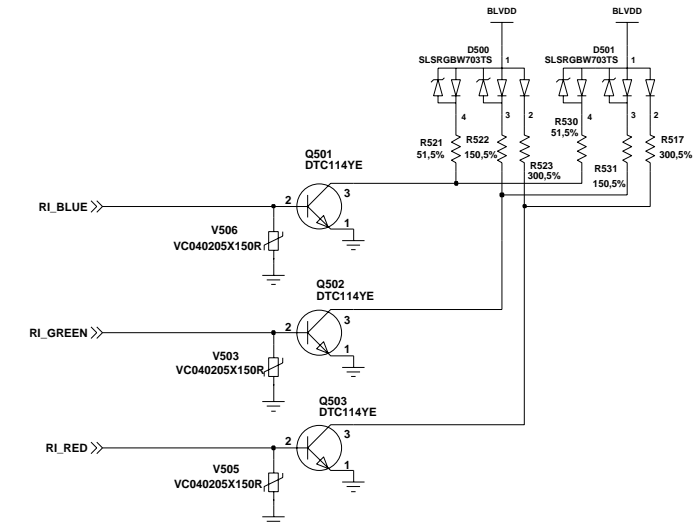
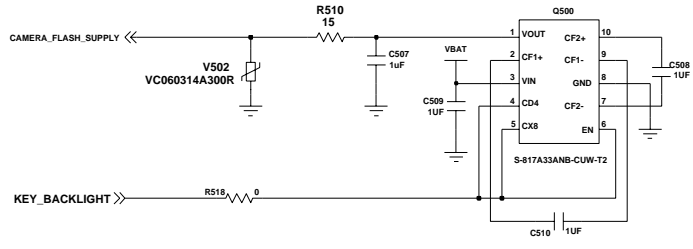
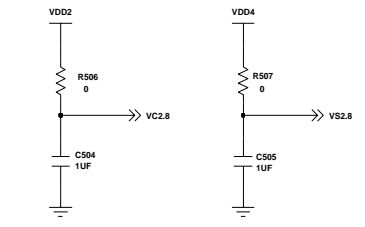
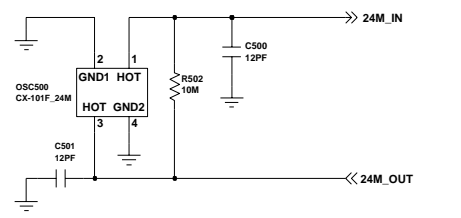
**RF power supply**  
 REF = 510-539 Function code = 2B1

**Baseband power supply**  
 REF = 540-579 Function code = 2B5

- VDD1
- VDD2
- VDD3
- VDD4
- V.MODE
- VDD4\_ON

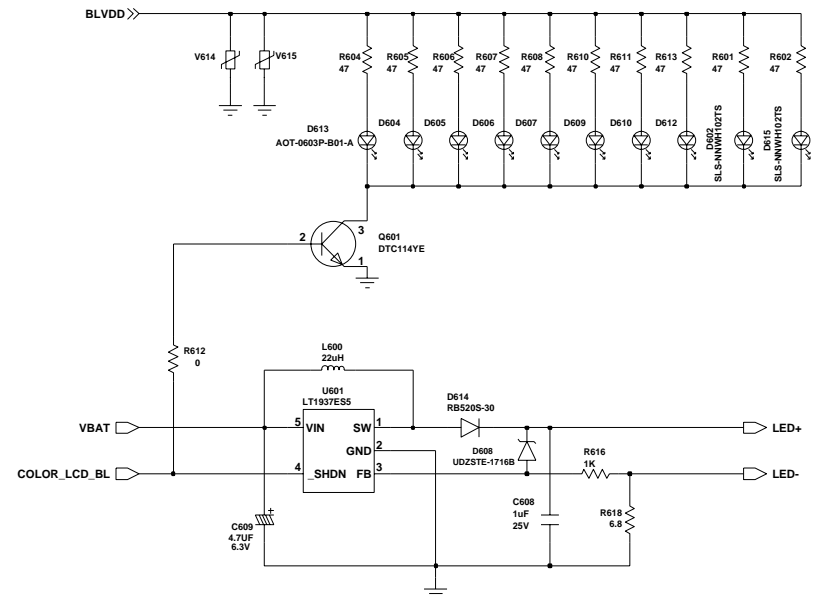
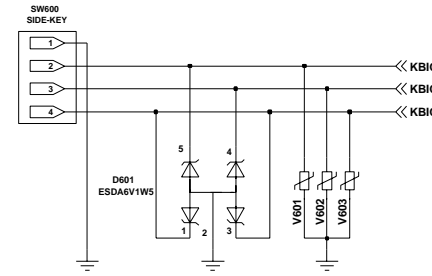
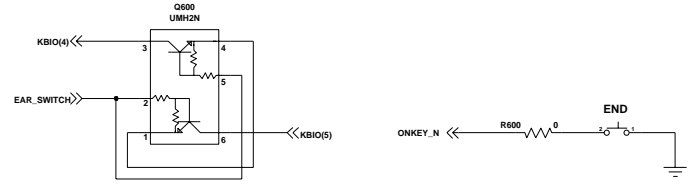
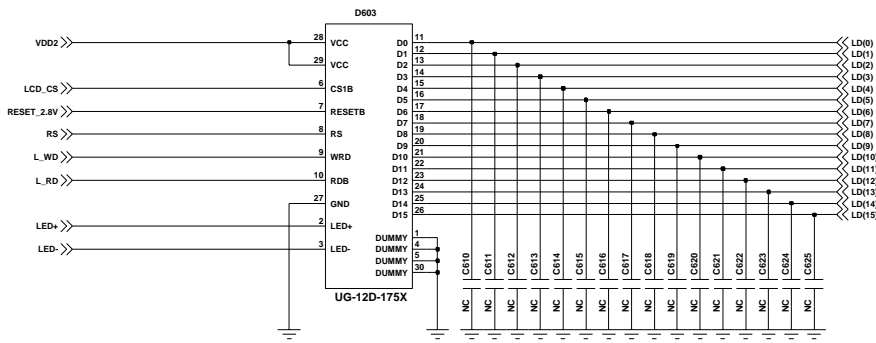
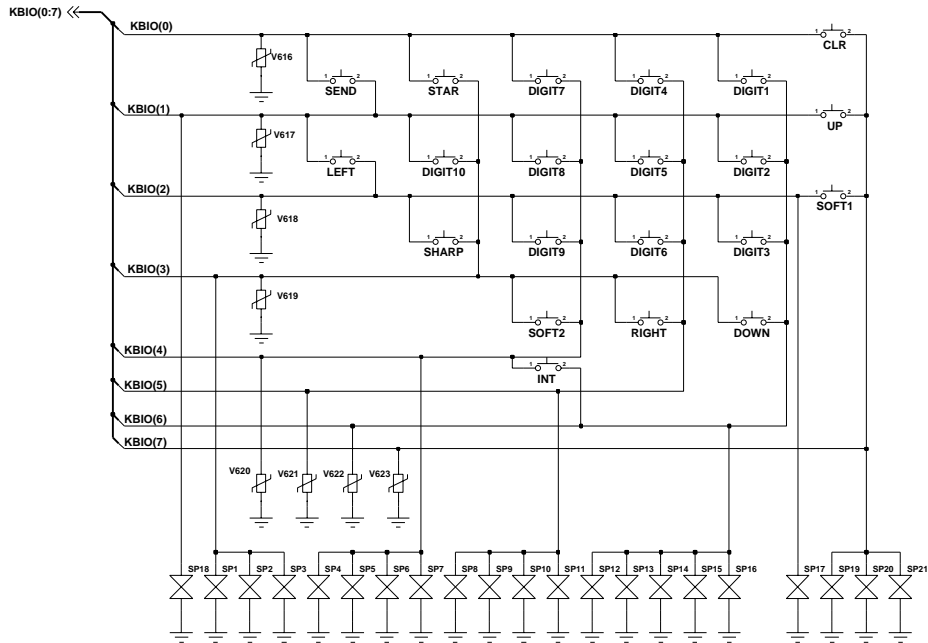
|              |                       |                |              |
|--------------|-----------------------|----------------|--------------|
| Engineer     | CHIMERA_M07           |                |              |
| Drawn by     |                       |                |              |
| R&D CHK      | TITLE:                | Size A3        |              |
| DOC CTRL CHK | Power management unit |                |              |
| MFG ENGR CHK |                       |                |              |
| QA CHK       | REV                   | Drawing Number | Sheet 4 of 6 |

|            |              |            |              |
|------------|--------------|------------|--------------|
| Changed by | Date Changed | 2003.10.07 | Time Changed |
|------------|--------------|------------|--------------|



(24pin\_1.5t)

|              |             |              |
|--------------|-------------|--------------|
| Engineer     | CHIMERA_M07 |              |
| Drawn by     |             |              |
| R&D CHK      | TITLE:      | Size A3      |
| DOC CTRL CHK | CAMERA_PART |              |
| MFG ENGR CHK |             |              |
| QA CHK       | REV         | Sheet 5 of 6 |



|              |                 |              |
|--------------|-----------------|--------------|
| Engineer     | CHIMERA_M07     |              |
| Drawn by     |                 |              |
| R&D CHK      | TITLE:          | Size A3      |
| DOC CTRL CHK | LCD & KEY & B/L |              |
| MFG ENGR CHK |                 |              |
| Changed by   | Date Changed    | 2003.10.07   |
| Time Changed | QA CHK          | REV          |
|              | Drawing Number  | sheet 6 of 6 |