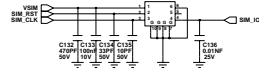
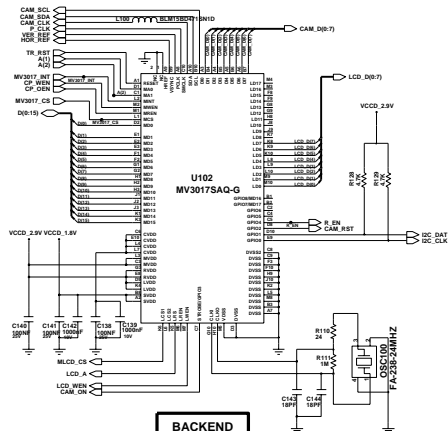


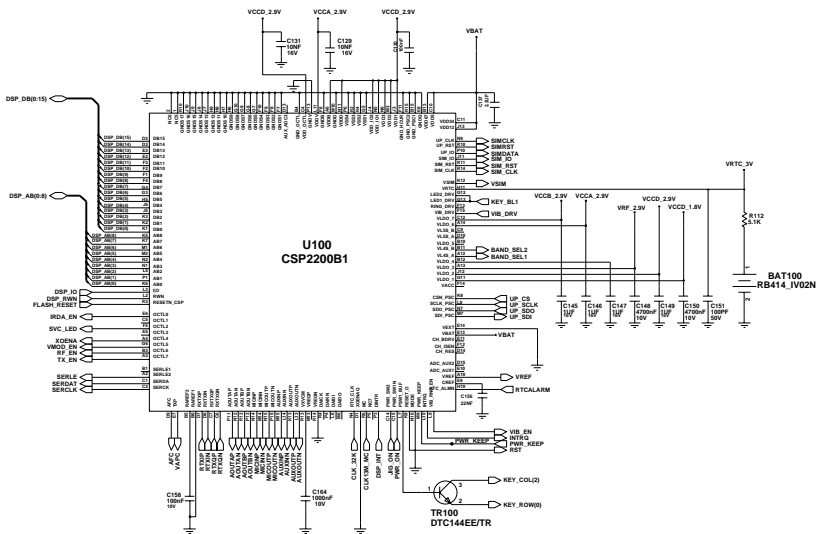
CHARGE



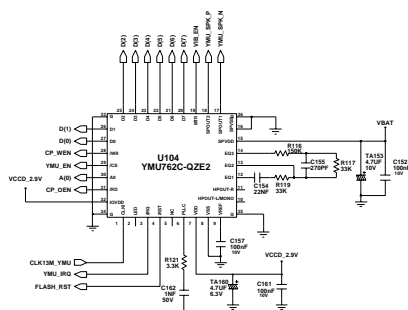
SIM



BACKEND

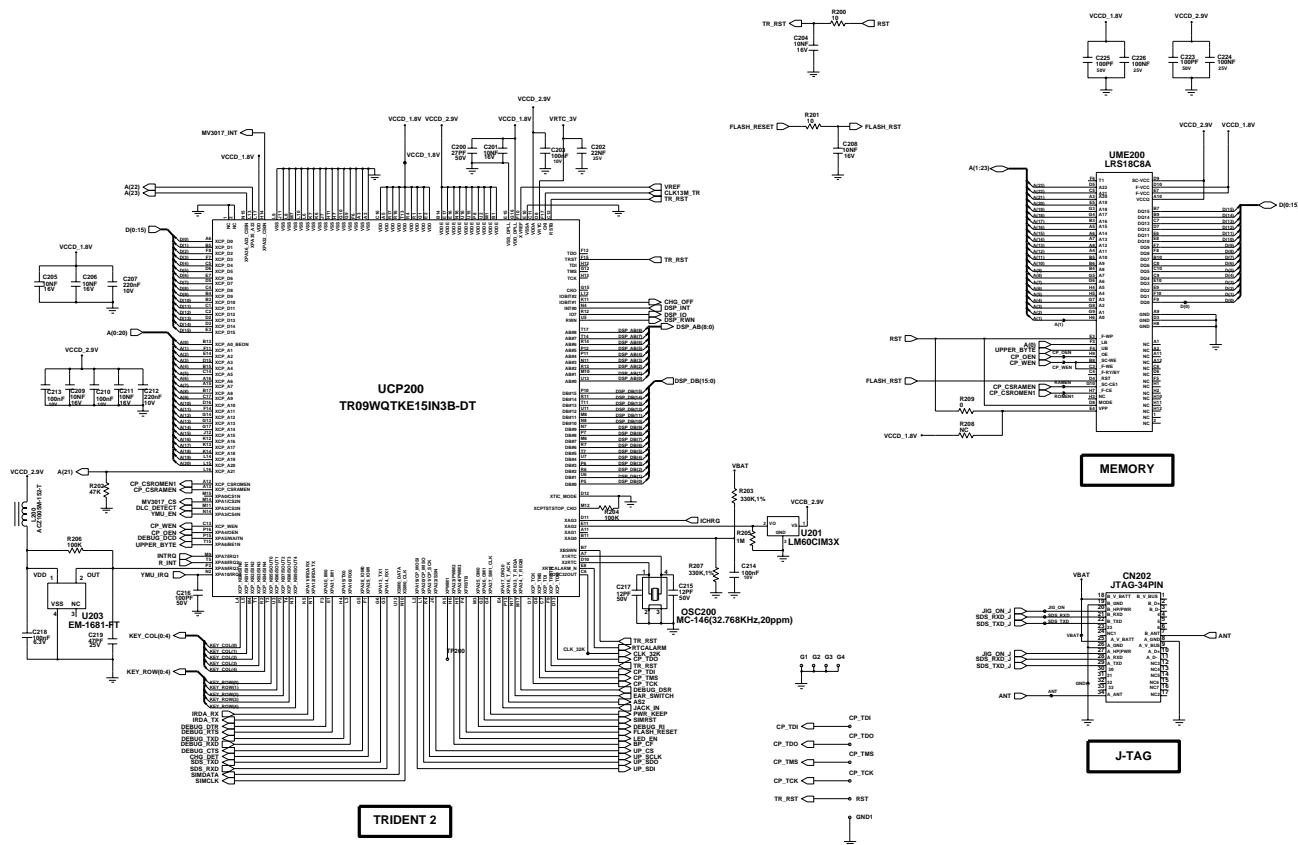


GEMINI



YAMAHA

Engineer	COMPANY NAME
Drawn by	TITLE
APPROVED CHK	Address
REVISED CHK	City
REVISED CHK	NO.
DA CHK	SGH-X520_REV1.1
Checked by	DATE
DATE	Sheet 1 of 4



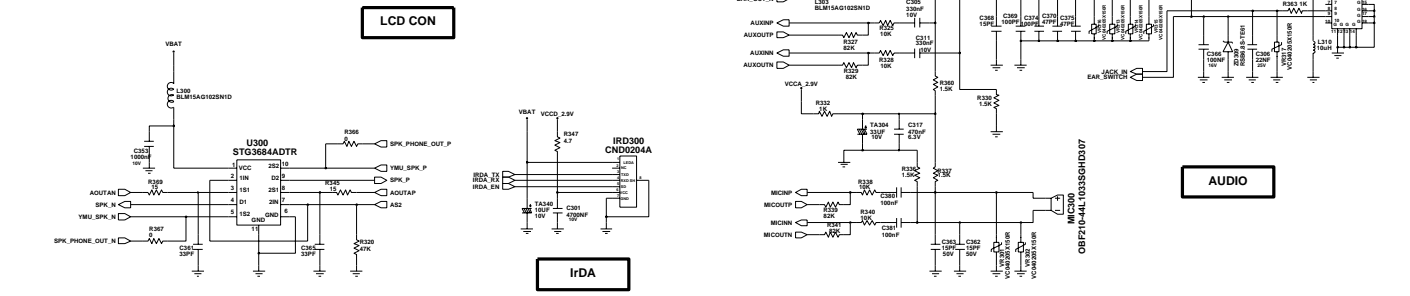
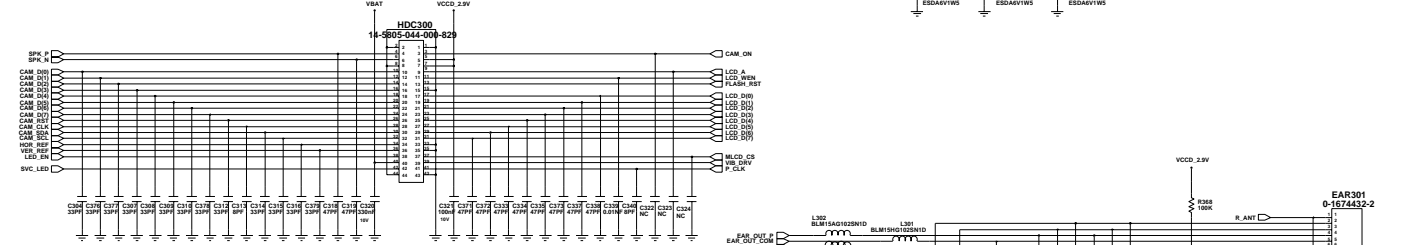
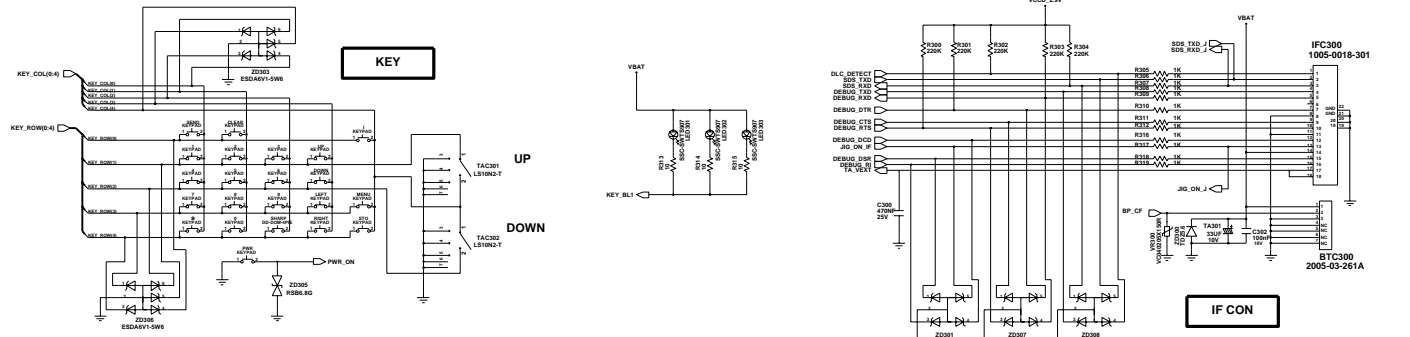
MEMORY

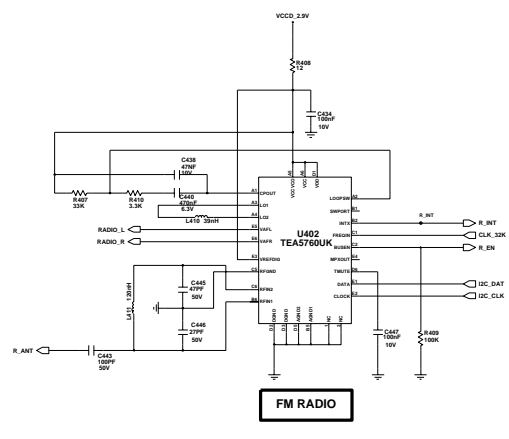
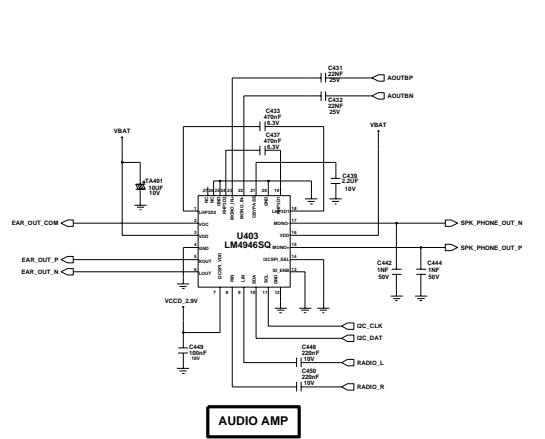
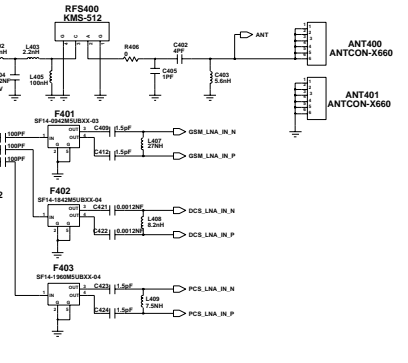
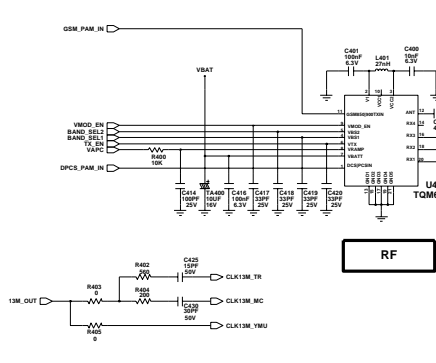
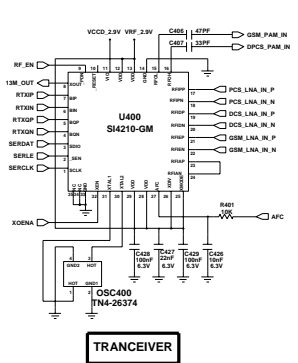
J-TAG

TRIDENT 2

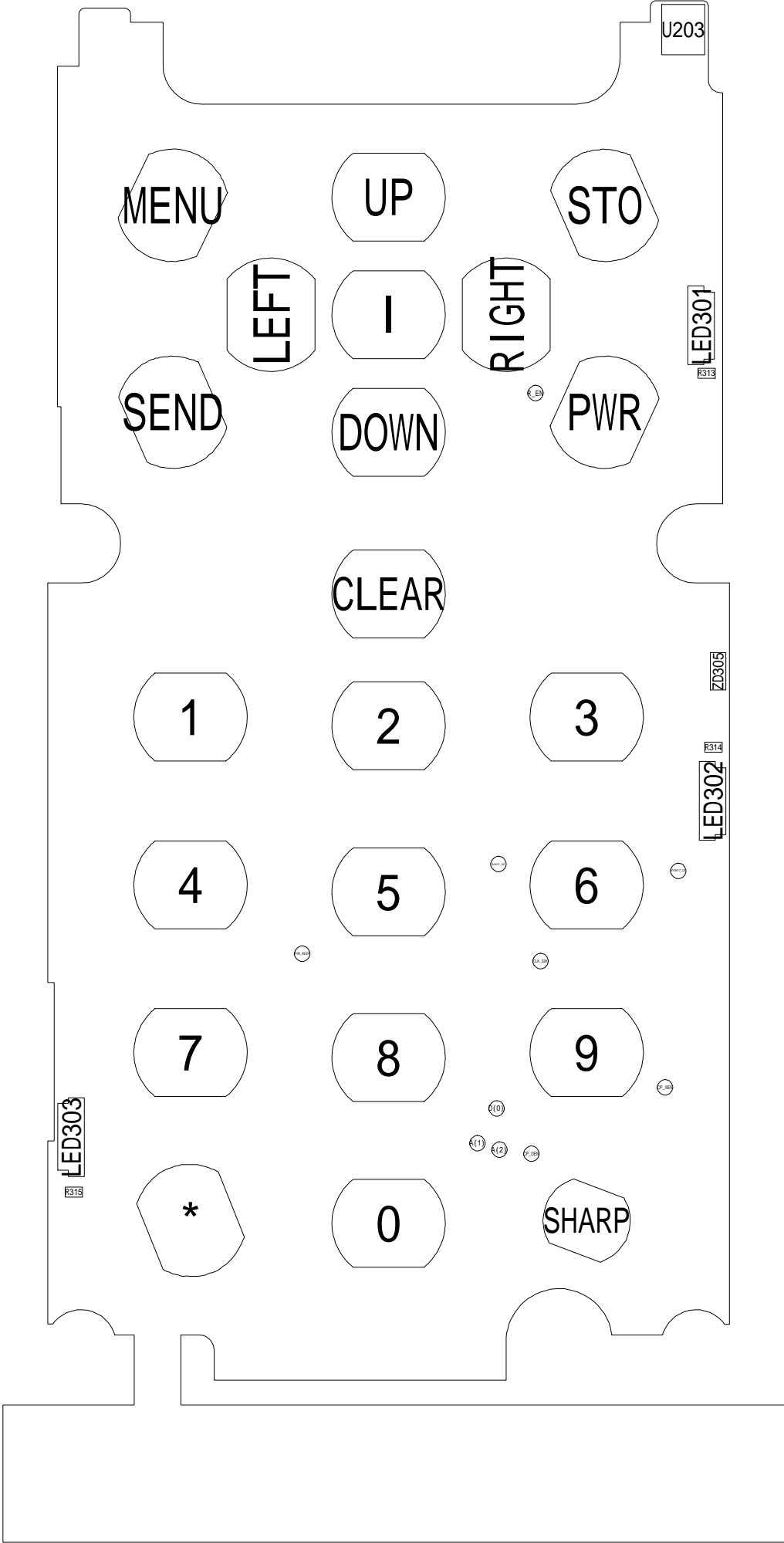
Engineer	COMPANY NAME
Drawn by	Address
Checked by	City
Approved by	DATE
DATE	

SGH-X520_REV1.0





Engineer	COMPANY NAME
Drawn by	Address
Check by	CITY
DATE	
Checked by	TITLE
DATE	
Checked by	SGH-X520_REV1.1
DATE	



U203

MENU

UP

STO

LEFT

I

RIGHT

LED301

R313

SEND

DOWN

PWR

CLEAR

ZD305

1

2

3

R314

LED302

4

5

6

7

8

9

LED303

R313

*

0

SHARP

R10

R11

R12

R209