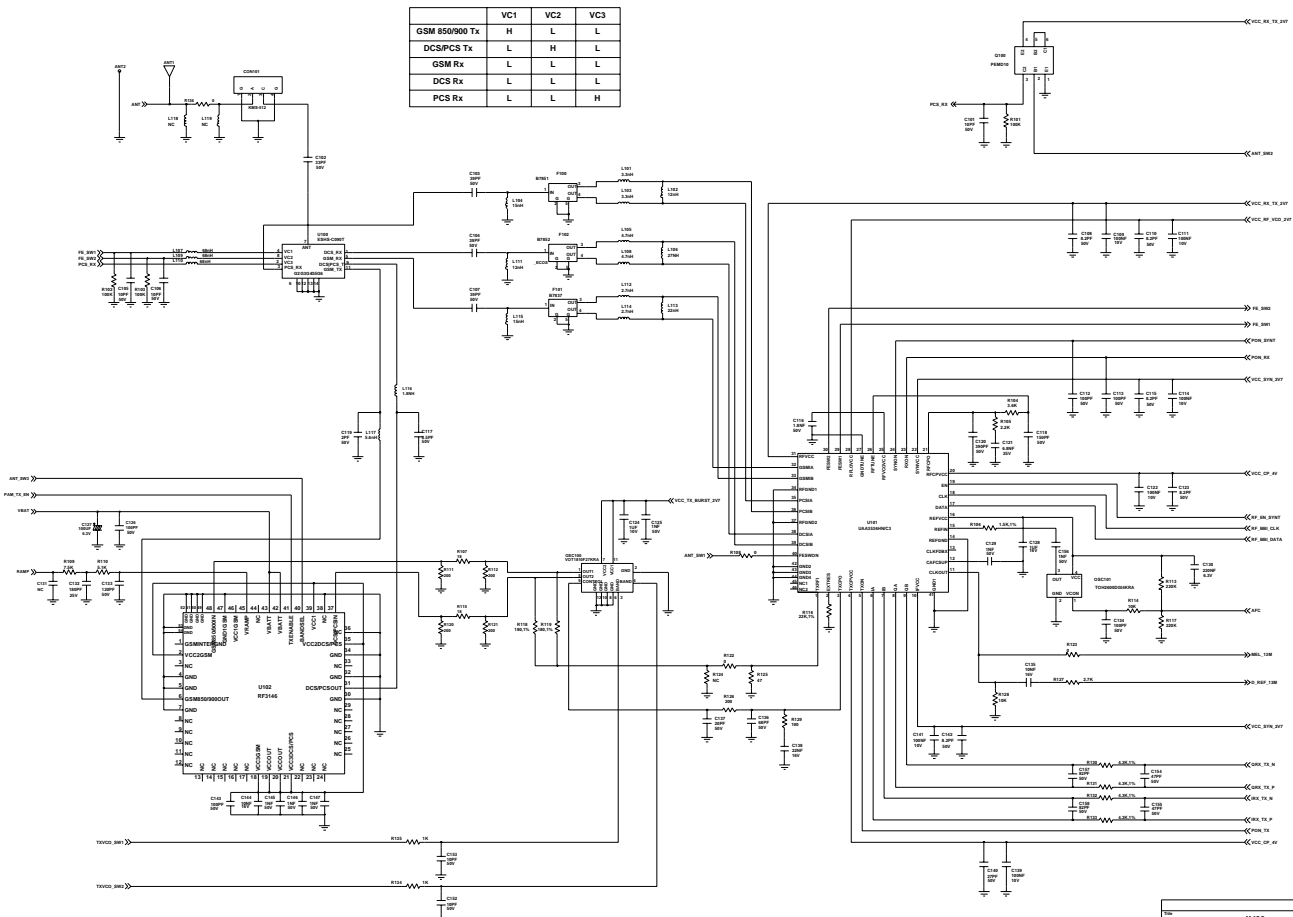
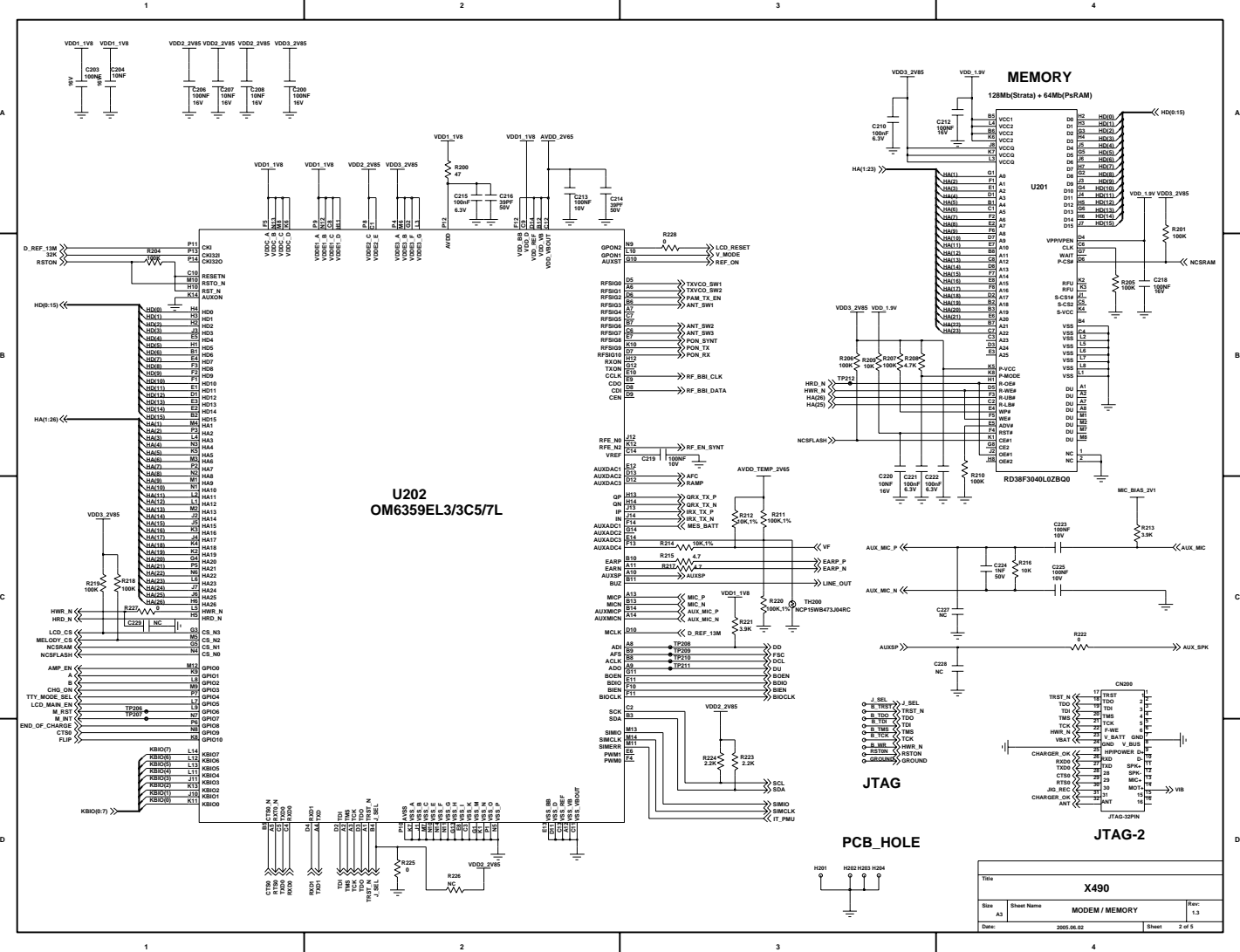


	VC1	VC2	VC3
GSM 850/900 Tx	H	L	L
DCSPCS Tx	L	H	L
GSM Rx	L	L	L
DCS Rx	L	L	L
PCS Rx	L	L	H



X490		
Rev	Sheet Number	Page
01	001	12
Date	2003-03-20	Drawn
		C.K.

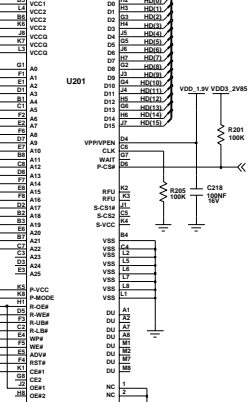


**U202
OM6359EL3/3C5/7L**

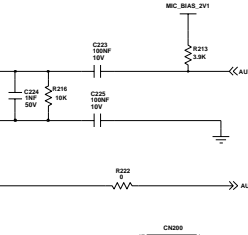
MEMORY

128Mb(Strata) + 64Mb(PARAM)

U201



RD38F3040LZB00

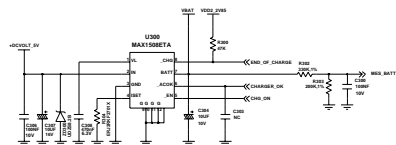


JTAG

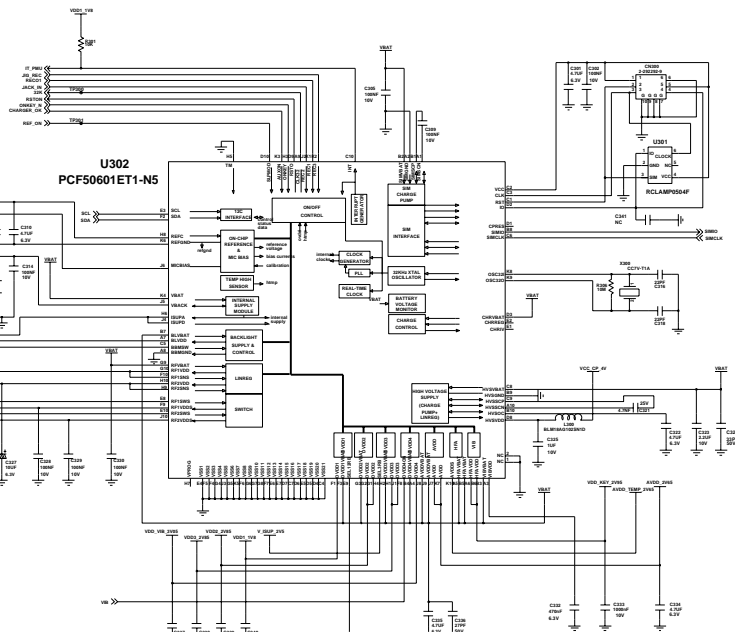
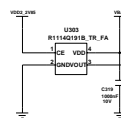
PCB HOLE

JTAG-2

Title		X490	
Date		2005.06.02	
Sheet	1 of 5	MODEM MEMORY	
Drawn		Rev	1.3



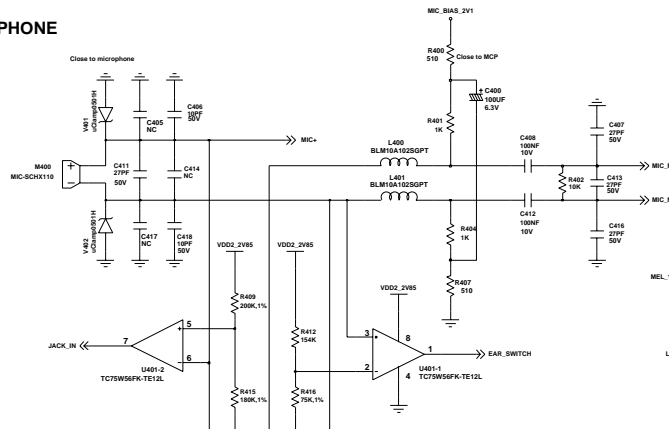
CHARGER IC



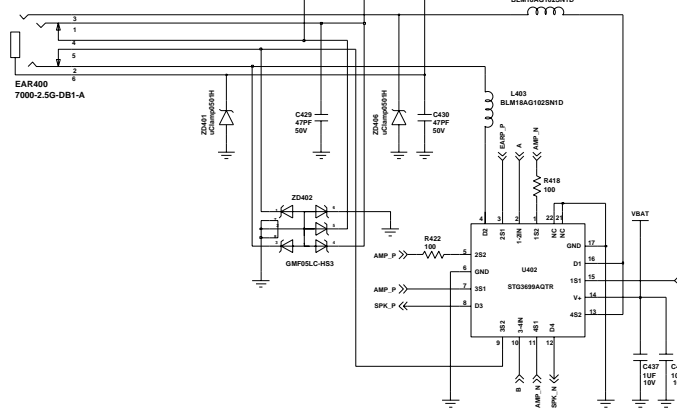
Signal	Typ	Signal	Typ
MCU_BATT	BT1	MCU_VDD	BT0
V_MSPD	BT0	MCU_VDD1	BT0
TR_VDD	BT0	MCU_VDD2	BT0
VCC_27K	BT1	MCU_VDD3	BT0
VCC_47_K	BT1	MCU_VDD4	BT0
MCU_VDD	BT0	MCU_VDD5	BT0
MCU_VDD1	BT0	MCU_VDD6	BT0
MCU_VDD2	BT0	MCU_VDD7	BT0
MCU_VDD3	BT0	MCU_VDD8	BT0
MCU_VDD4	BT0	MCU_VDD9	BT0
MCU_VDD5	BT0	MCU_VDD10	BT0
MCU_VDD6	BT0	MCU_VDD11	BT0
MCU_VDD7	BT0	MCU_VDD12	BT0
MCU_VDD8	BT0	MCU_VDD13	BT0
MCU_VDD9	BT0	MCU_VDD14	BT0
MCU_VDD10	BT0	MCU_VDD15	BT0
MCU_VDD11	BT0	MCU_VDD16	BT0
MCU_VDD12	BT0	MCU_VDD17	BT0
MCU_VDD13	BT0	MCU_VDD18	BT0
MCU_VDD14	BT0	MCU_VDD19	BT0
MCU_VDD15	BT0	MCU_VDD20	BT0
MCU_VDD16	BT0	MCU_VDD21	BT0
MCU_VDD17	BT0	MCU_VDD22	BT0
MCU_VDD18	BT0	MCU_VDD23	BT0
MCU_VDD19	BT0	MCU_VDD24	BT0
MCU_VDD20	BT0	MCU_VDD25	BT0
MCU_VDD21	BT0	MCU_VDD26	BT0
MCU_VDD22	BT0	MCU_VDD27	BT0
MCU_VDD23	BT0	MCU_VDD28	BT0
MCU_VDD24	BT0	MCU_VDD29	BT0
MCU_VDD25	BT0	MCU_VDD30	BT0
MCU_VDD26	BT0	MCU_VDD31	BT0
MCU_VDD27	BT0	MCU_VDD32	BT0
MCU_VDD28	BT0	MCU_VDD33	BT0
MCU_VDD29	BT0	MCU_VDD34	BT0
MCU_VDD30	BT0	MCU_VDD35	BT0
MCU_VDD31	BT0	MCU_VDD36	BT0
MCU_VDD32	BT0	MCU_VDD37	BT0
MCU_VDD33	BT0	MCU_VDD38	BT0
MCU_VDD34	BT0	MCU_VDD39	BT0
MCU_VDD35	BT0	MCU_VDD40	BT0
MCU_VDD36	BT0	MCU_VDD41	BT0
MCU_VDD37	BT0	MCU_VDD42	BT0
MCU_VDD38	BT0	MCU_VDD43	BT0
MCU_VDD39	BT0	MCU_VDD44	BT0
MCU_VDD40	BT0	MCU_VDD45	BT0
MCU_VDD41	BT0	MCU_VDD46	BT0
MCU_VDD42	BT0	MCU_VDD47	BT0
MCU_VDD43	BT0	MCU_VDD48	BT0
MCU_VDD44	BT0	MCU_VDD49	BT0
MCU_VDD45	BT0	MCU_VDD50	BT0
MCU_VDD46	BT0	MCU_VDD51	BT0
MCU_VDD47	BT0	MCU_VDD52	BT0
MCU_VDD48	BT0	MCU_VDD53	BT0
MCU_VDD49	BT0	MCU_VDD54	BT0
MCU_VDD50	BT0	MCU_VDD55	BT0
MCU_VDD51	BT0	MCU_VDD56	BT0
MCU_VDD52	BT0	MCU_VDD57	BT0
MCU_VDD53	BT0	MCU_VDD58	BT0
MCU_VDD54	BT0	MCU_VDD59	BT0
MCU_VDD55	BT0	MCU_VDD60	BT0
MCU_VDD56	BT0	MCU_VDD61	BT0
MCU_VDD57	BT0	MCU_VDD62	BT0
MCU_VDD58	BT0	MCU_VDD63	BT0
MCU_VDD59	BT0	MCU_VDD64	BT0
MCU_VDD60	BT0	MCU_VDD65	BT0
MCU_VDD61	BT0	MCU_VDD66	BT0
MCU_VDD62	BT0	MCU_VDD67	BT0
MCU_VDD63	BT0	MCU_VDD68	BT0
MCU_VDD64	BT0	MCU_VDD69	BT0
MCU_VDD65	BT0	MCU_VDD70	BT0
MCU_VDD66	BT0	MCU_VDD71	BT0
MCU_VDD67	BT0	MCU_VDD72	BT0
MCU_VDD68	BT0	MCU_VDD73	BT0
MCU_VDD69	BT0	MCU_VDD74	BT0
MCU_VDD70	BT0	MCU_VDD75	BT0
MCU_VDD71	BT0	MCU_VDD76	BT0
MCU_VDD72	BT0	MCU_VDD77	BT0
MCU_VDD73	BT0	MCU_VDD78	BT0
MCU_VDD74	BT0	MCU_VDD79	BT0
MCU_VDD75	BT0	MCU_VDD80	BT0
MCU_VDD76	BT0	MCU_VDD81	BT0
MCU_VDD77	BT0	MCU_VDD82	BT0
MCU_VDD78	BT0	MCU_VDD83	BT0
MCU_VDD79	BT0	MCU_VDD84	BT0
MCU_VDD80	BT0	MCU_VDD85	BT0
MCU_VDD81	BT0	MCU_VDD86	BT0
MCU_VDD82	BT0	MCU_VDD87	BT0
MCU_VDD83	BT0	MCU_VDD88	BT0
MCU_VDD84	BT0	MCU_VDD89	BT0
MCU_VDD85	BT0	MCU_VDD90	BT0
MCU_VDD86	BT0	MCU_VDD91	BT0
MCU_VDD87	BT0	MCU_VDD92	BT0
MCU_VDD88	BT0	MCU_VDD93	BT0
MCU_VDD89	BT0	MCU_VDD94	BT0
MCU_VDD90	BT0	MCU_VDD95	BT0
MCU_VDD91	BT0	MCU_VDD96	BT0
MCU_VDD92	BT0	MCU_VDD97	BT0
MCU_VDD93	BT0	MCU_VDD98	BT0
MCU_VDD94	BT0	MCU_VDD99	BT0
MCU_VDD95	BT0	MCU_VDD100	BT0

DESIGNED BY	DATE	DESIGNED BY	DATE
DRAWN BY		DRAWN BY	
CHECKED BY		CHECKED BY	
APPROVED BY		APPROVED BY	
X490			

MICROPHONE

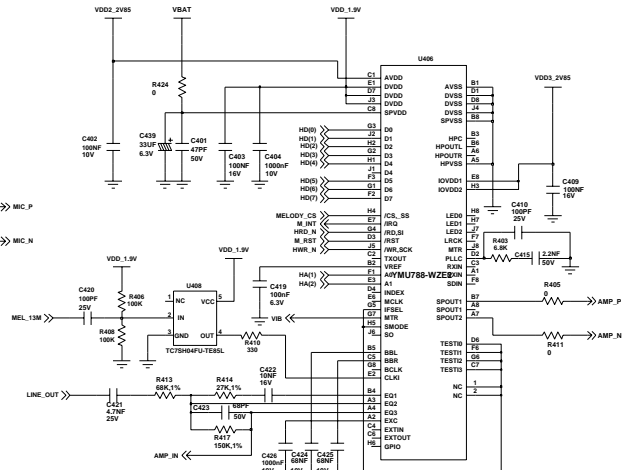


EARPHONE

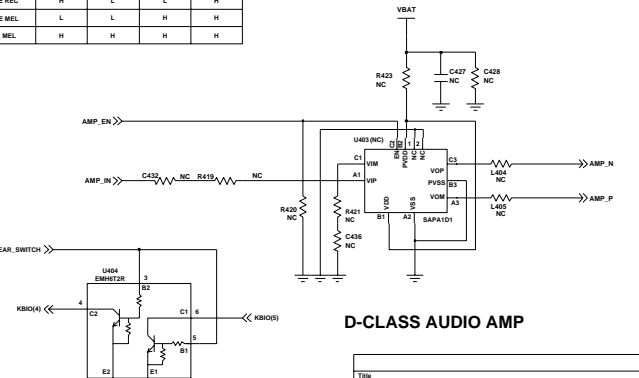


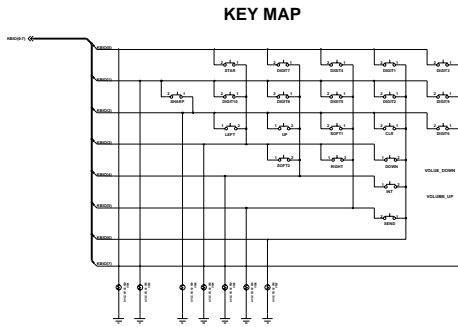
	A	B	AMP_EN	JACK_IN
NORMAL REC	H	L	L	L
NORMAL MEL	H	H	H	L
EARPHONE REC	H	L	L	H
EARPHONE MEL	L	L	H	H
EAR_NOR MEL	H	H	H	H

MELODY IC

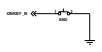


D-CLASS AUDIO AMP

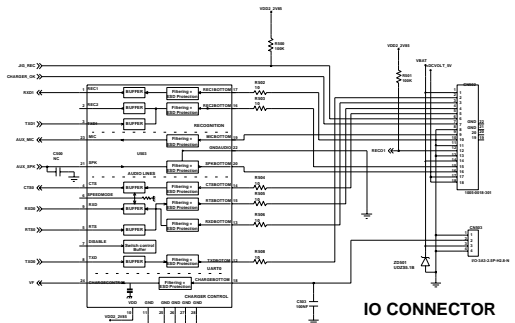
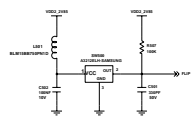




POWER KEY

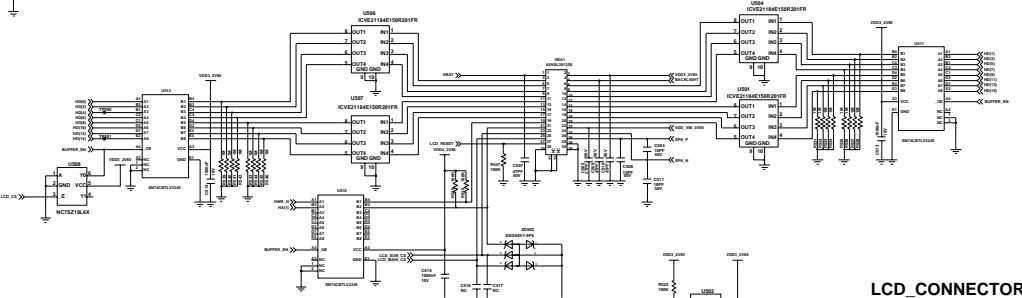
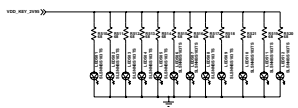


FLIP



IO CONNECTOR

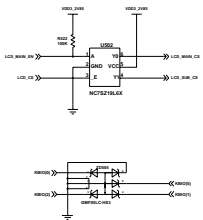
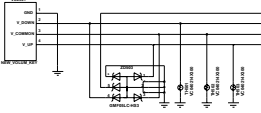
KEY LED

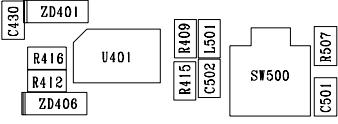


LCD_CONNECTOR

DEVICE	AUXON	REC1	REC3	REC2
TEST JIG SET	L	H	L	H
CHARGER	TRAVEL ADAPTOR	L	H	H
	CLA	L	H	H
HANDS FREE	CAR KIT	L	H	H
	EARPHONE	H	H	L
DATA CABLE	DATA CABLE	H	L	H
	DATA CHARGER	L	L	H
	CHARGER_OK	RECO1	JIG_REC	JACK_IN

VOLUME KEY





LED506 R515 V509

V505 R518 LED507

SOFT1

UP

SOFT2

LEFT

INT

RIGHT

SEND

DOWN

END

LED511 R519

R521 LED510

VOL501

CLR

V507 LED505 R514

R513 LED504 V506

DIGIT1

DIGIT2

DIGIT3

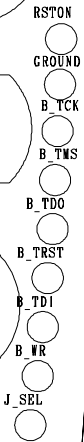
LED502 R511

LED503 R512

DIGIT4

DIGIT5

DIGIT6



R517 LED508 V501

R518 LED509 V502

DIGIT7

DIGIT8

DIGIT9

LED512 R520 V504

R510 LED501 R511

STAR

DIGIT10

SHARP

