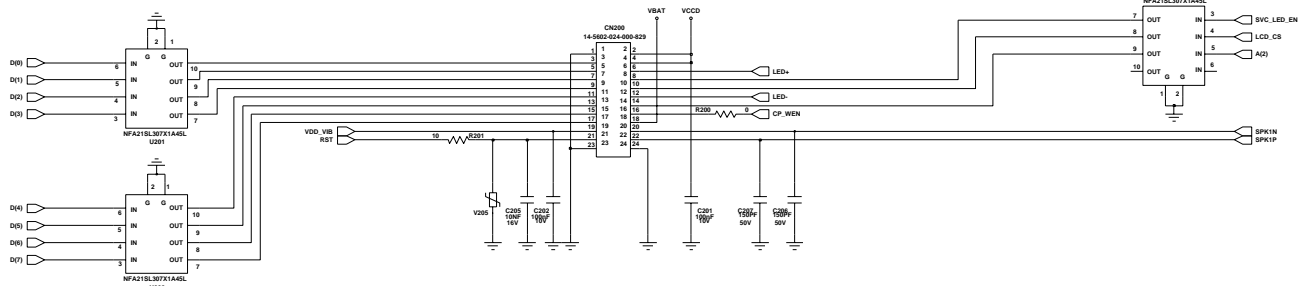
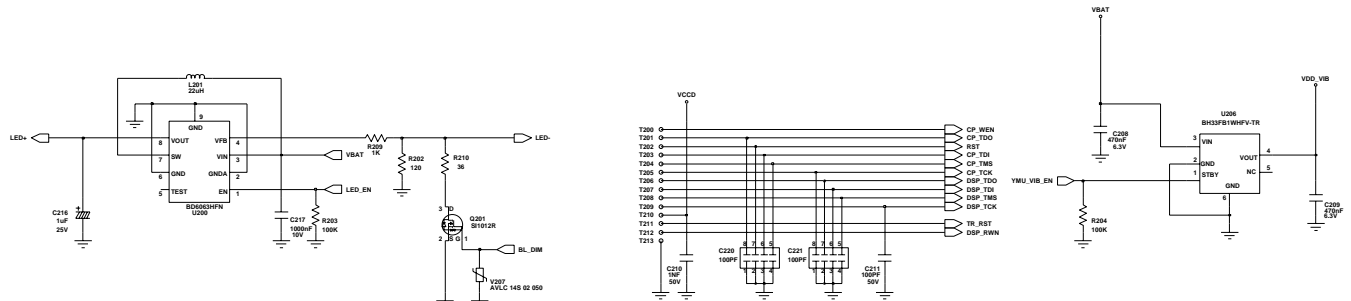


SAMSUNG ELECTRONICS	
Engineer	
Drawn by	
RED CHK	TITLE:
MOD CTRL CHR	SGH-X481
MFG ENGR CHK	Size A3



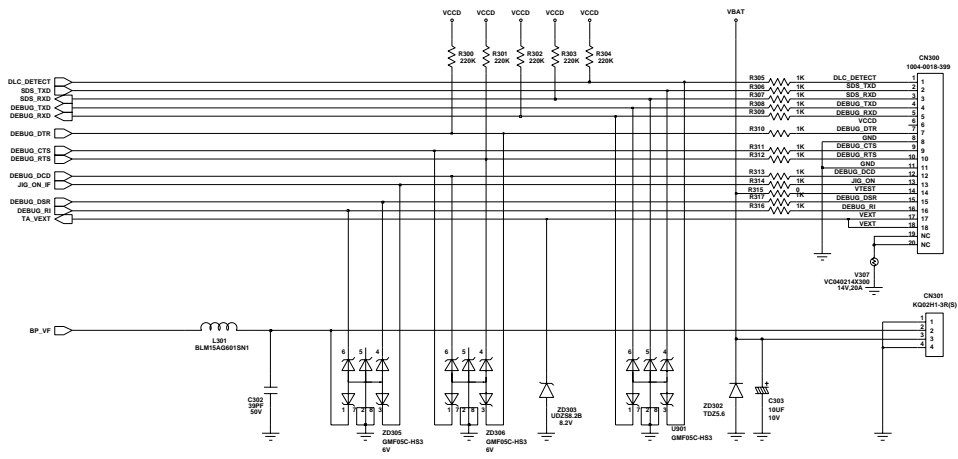
LCD CONNECTOR



LCD BACKLIGHT

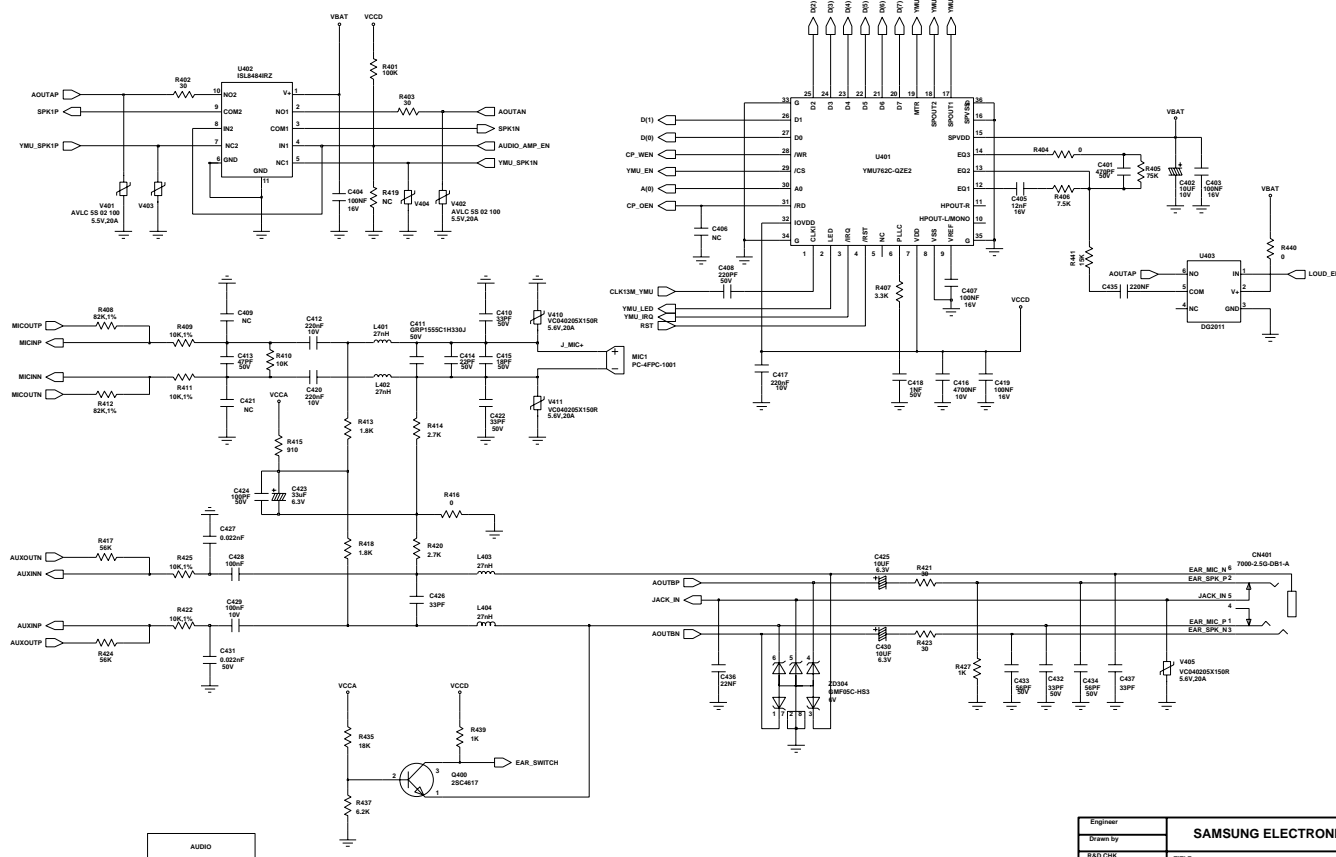
JTAG CON

Engineer	SAMSUNG ELECTRONICS		
Drawn by			
REP. CHK	TITLE:	Size A3	
ENC. CTRL. CHK	SGH-X481		
MFG ENGR. CHK			



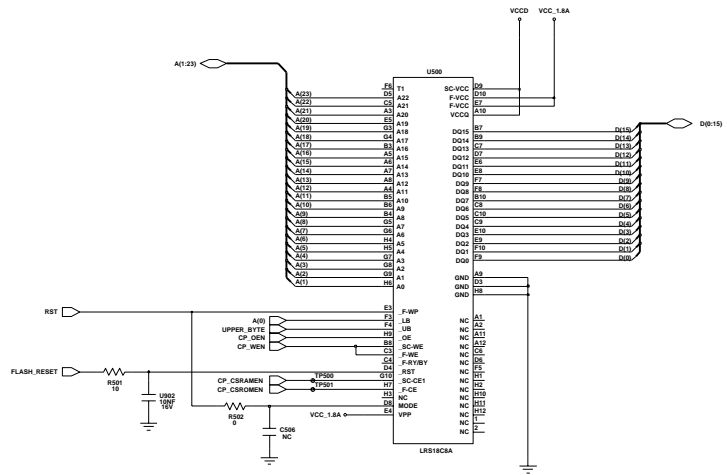
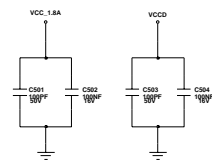
I/F CONNECTOR

Engineer	SAMSUNG ELECTRONICS			Size A3	
Drawn by					
REP CHK					TITLE:
ESD CTRL CHK					SGH-X481
MFG ENGR CHK					



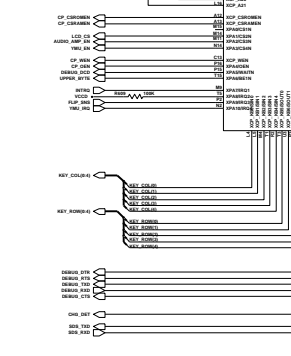
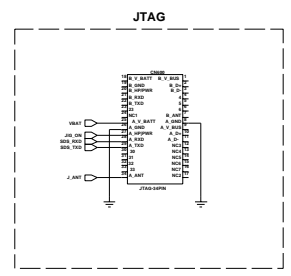
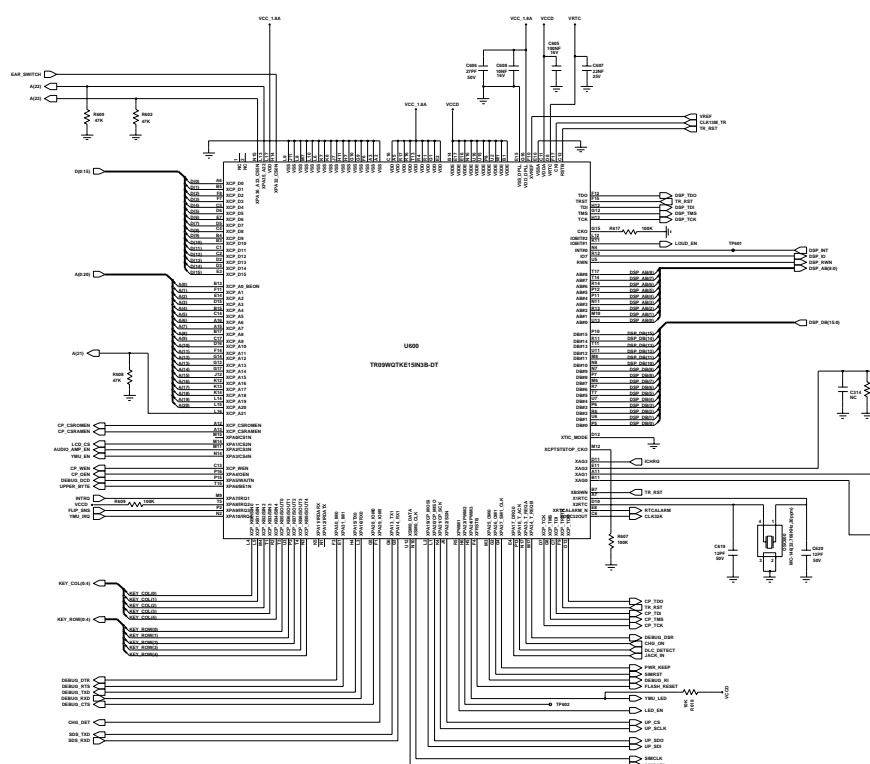
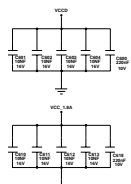
AUDIO

Engineer	SAMSUNG ELECTRONICS		
Drawn by	TITLE: SGH-X481		
REP CHK	REV 0.4		
ESC CTRL CHK	Drawing Number		
MFG ENGR CHK	Sheet 4 of 9		

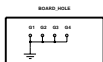


MEMORY

Engineer	SAMSUNG ELECTRONICS				
Drawn by					
REP CHK				TITLE:	Size
ESC & TBL CHK				SGH-X481	AS
MFG ENGR CHK					



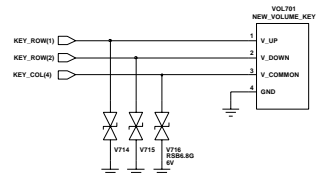
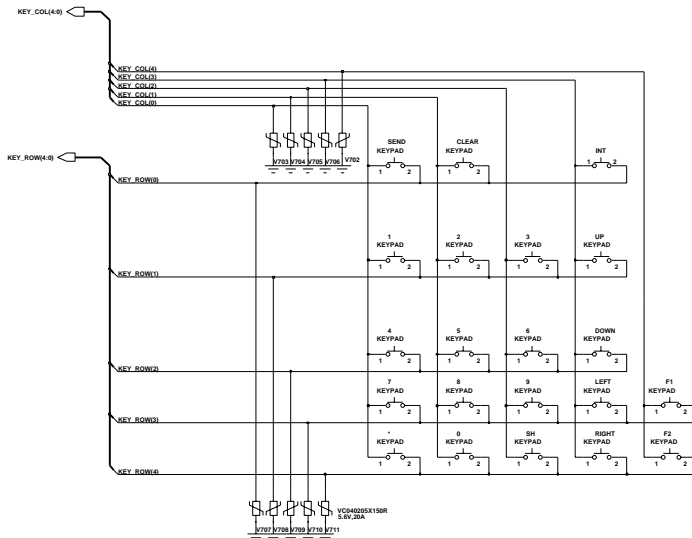
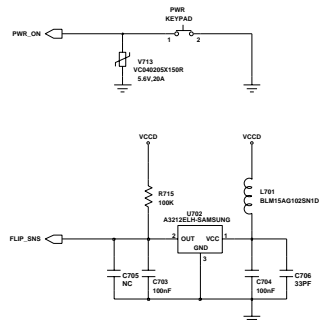
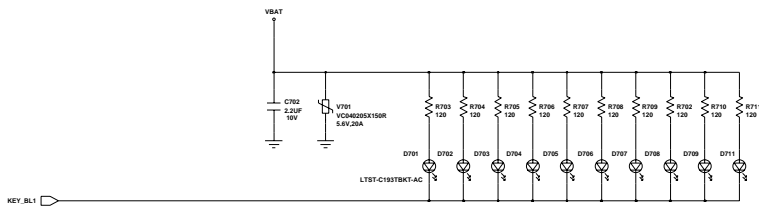
TRIDENT



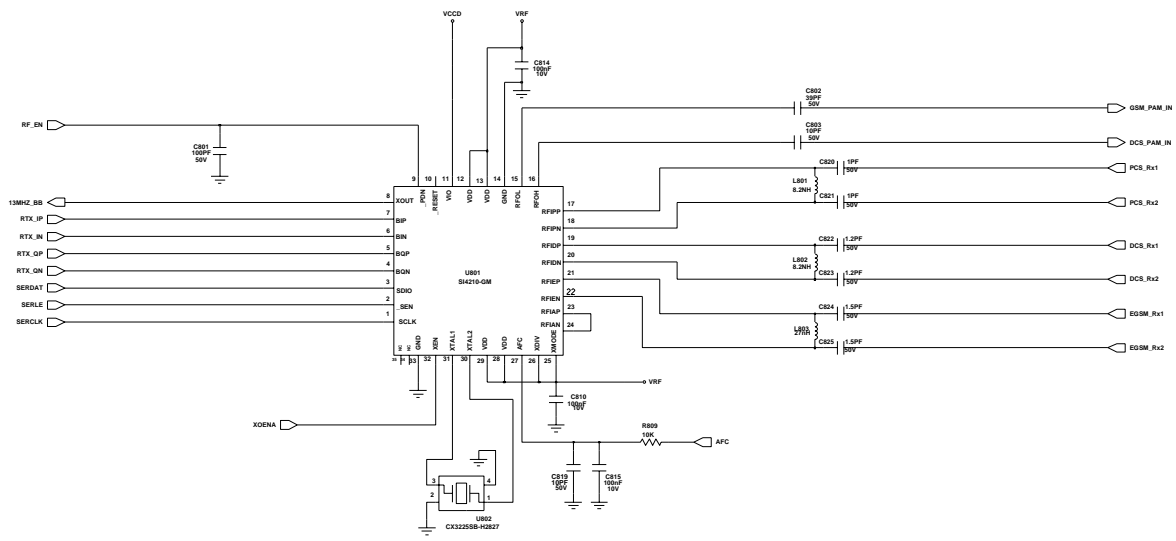
Part No.	SGH-X481
Revision	1.0
Drawn	YSL
Checked	
Approved	
Released	

SAMSUNG ELECTRONICS

SGH-X481



Engineer	SAMSUNG ELECTRONICS		
Drawn by			
RED CHK	TITLE:	SGH-X481	
DDC CTRL CHR			Size A3
MFD ENDR CHR			



- 1) Toyocom & KSS to be reviewed
- 2) Toyocom samples to be reviewed starting 5/26/04 ; to coordinate with Toyocom on behalf of Mr.Park/Samsung

Engineer	SAMSUNG ELECTRONICS			Sheet 8 of 9		
Drawn by						
REP-CHK					TITLE:	SGH-X481
ENG-CTRL-CHK						
MFG-ENG-CHK						

