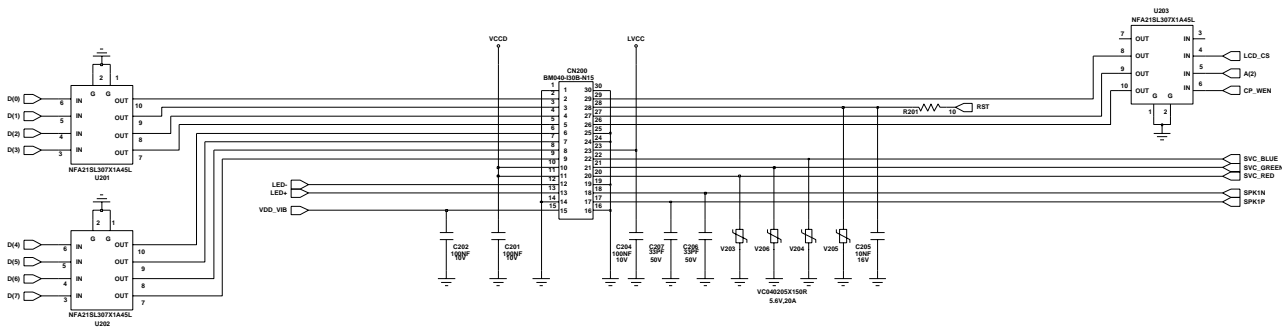
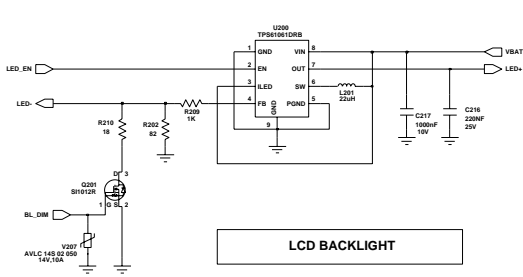


U100
CSP2200B1

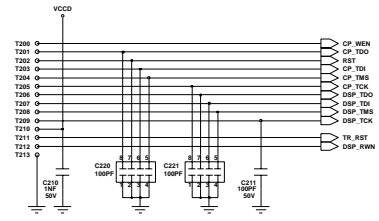
| | | | |
|--------------|--|---------------------|--|
| Engineer | | SAMSUNG ELECTRONICS | |
| Drawn by | | TITLE: | |
| R&D CHK | | SGH-X480 | |
| DOC CTRL CHK | | Sheet | |
| MFG ENGR CHK | | AS | |



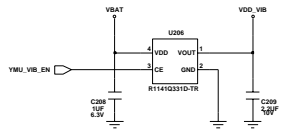
LCD CONNECTOR



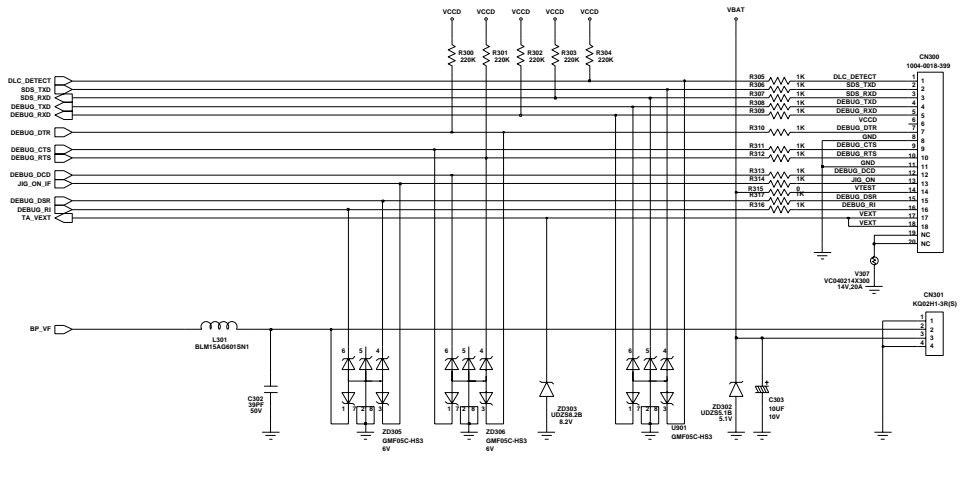
LCD BACKLIGHT



JTAG CON



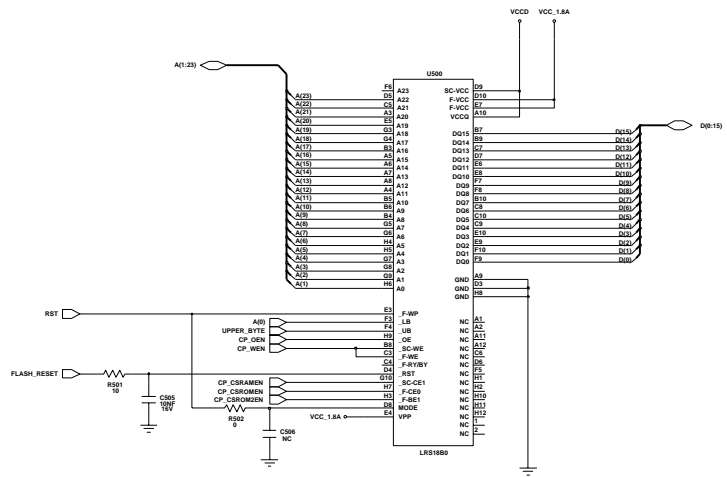
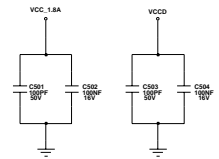
| | | | |
|---------------|---------------------|--|------|
| Engineer | SAMSUNG ELECTRONICS | | Size |
| Drawn by | TITLE: | | AS |
| RD/CHK | SGH-X480 | | |
| DOC C/REL CHK | | | |
| MFG ENGR CHK | | | |



I/F CONNECTOR

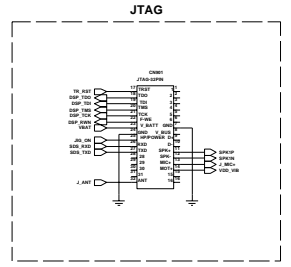
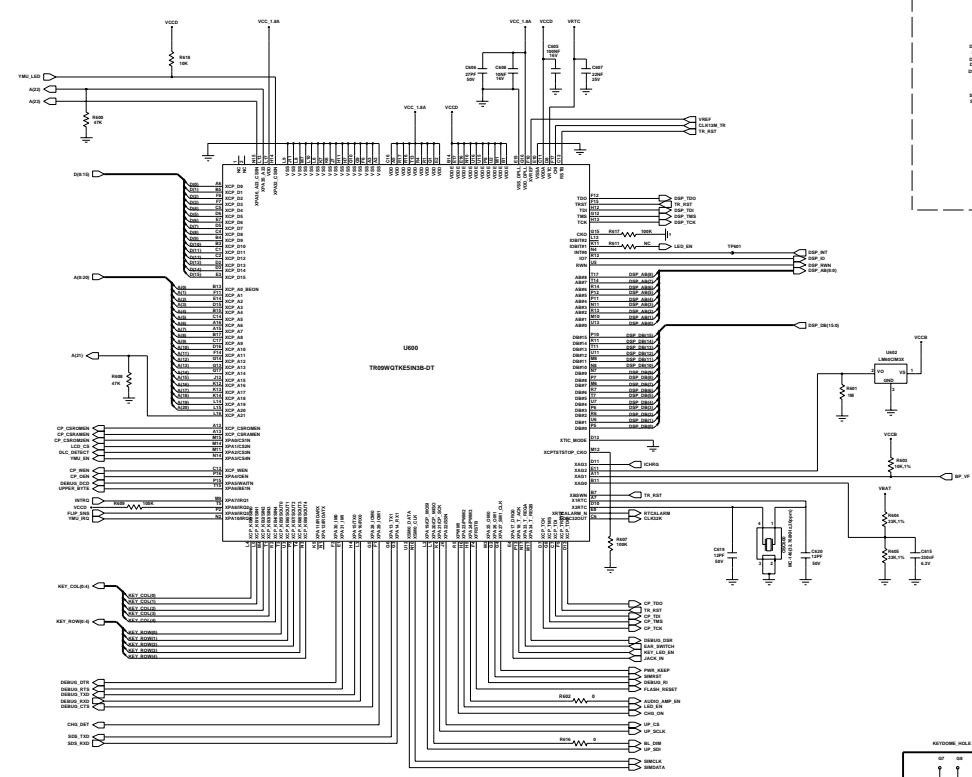
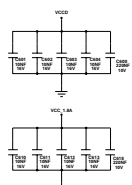
| | | | |
|--------------|---------------------|--|---------|
| Engineer | SAMSUNG ELECTRONICS | | |
| Drawn By | TITLE: | | Size AS |
| R&D_CHK | SGH-X480 | | |
| DQC_CTRL_CHK | | | |
| MFG_ENGR_CHK | | | |

| | | | | | | |
|--------------------|----------------------------|----------------------------|----------|------------|----------------|--------------|
| Changed By user | Date Changed 2005.01.27 | Time Changed 3:10:28 pm | G.A. CHK | REV 2.4 | Drawing Number | Sheet 3 of 9 |
|--------------------|----------------------------|----------------------------|----------|------------|----------------|--------------|

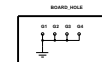


MEMORY

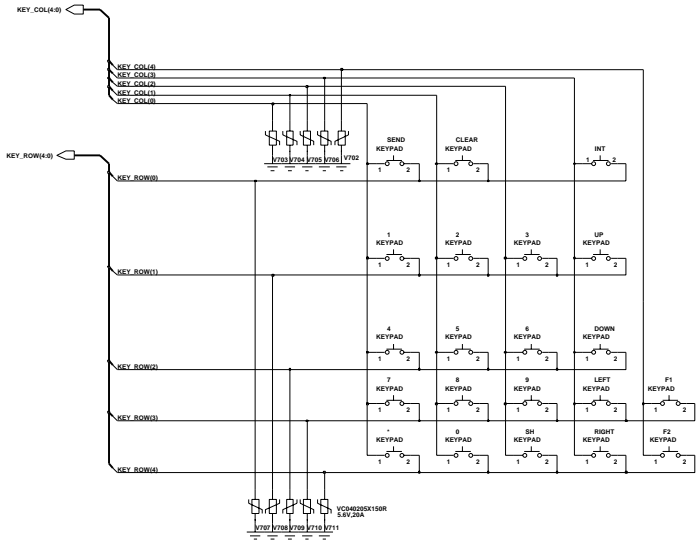
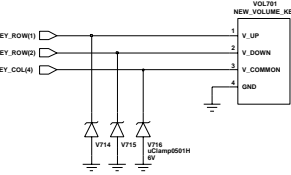
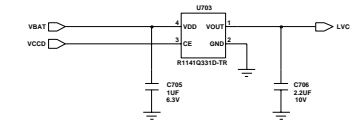
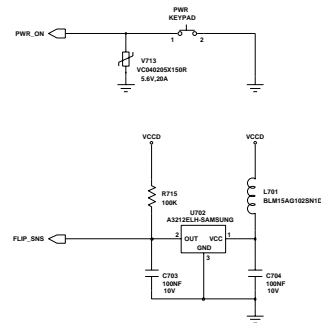
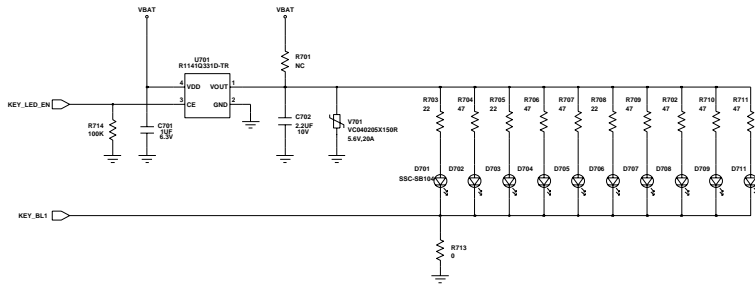
| | | | | |
|--------------|----------------------------|--|------------|-----------------|
| Engineer | SAMSUNG ELECTRONICS | | Size AS | |
| Drawn by | | | | |
| R&D CHK | | | | TITLE: |
| DOC CTRL CHK | | | | SGH-X480 |
| MFG ENGR CHK | | | | |



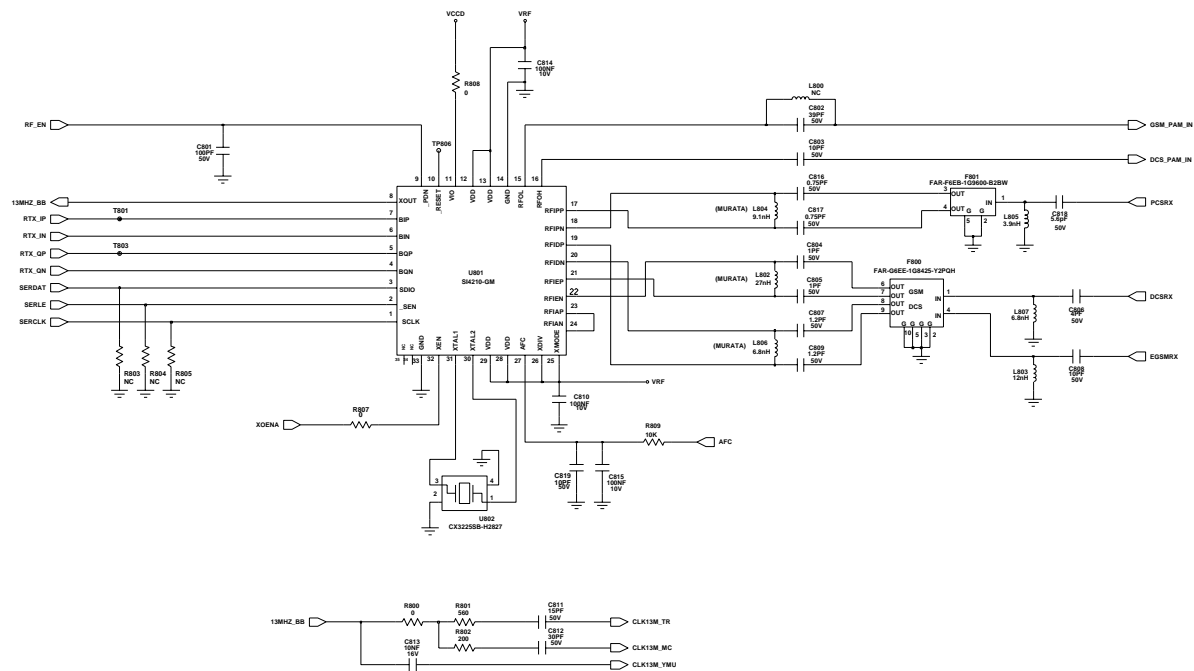
TRIDENT



| | |
|--------------|---------------------|
| Part No. | TR80WTK8R30-BT |
| Manufacturer | SAMSUNG ELECTRONICS |
| Package | QFP-100 |
| Pin 1 | 1 |
| Pin 2 | 2 |
| Pin 3 | 3 |
| Pin 4 | 4 |
| Pin 5 | 5 |
| Pin 6 | 6 |
| Pin 7 | 7 |
| Pin 8 | 8 |
| Pin 9 | 9 |
| Pin 10 | 10 |
| Pin 11 | 11 |
| Pin 12 | 12 |
| Pin 13 | 13 |
| Pin 14 | 14 |
| Pin 15 | 15 |
| Pin 16 | 16 |
| Pin 17 | 17 |
| Pin 18 | 18 |
| Pin 19 | 19 |
| Pin 20 | 20 |
| Pin 21 | 21 |
| Pin 22 | 22 |
| Pin 23 | 23 |
| Pin 24 | 24 |
| Pin 25 | 25 |
| Pin 26 | 26 |
| Pin 27 | 27 |
| Pin 28 | 28 |
| Pin 29 | 29 |
| Pin 30 | 30 |
| Pin 31 | 31 |
| Pin 32 | 32 |
| Pin 33 | 33 |
| Pin 34 | 34 |
| Pin 35 | 35 |
| Pin 36 | 36 |
| Pin 37 | 37 |
| Pin 38 | 38 |
| Pin 39 | 39 |
| Pin 40 | 40 |
| Pin 41 | 41 |
| Pin 42 | 42 |
| Pin 43 | 43 |
| Pin 44 | 44 |
| Pin 45 | 45 |
| Pin 46 | 46 |
| Pin 47 | 47 |
| Pin 48 | 48 |
| Pin 49 | 49 |
| Pin 50 | 50 |
| Pin 51 | 51 |
| Pin 52 | 52 |
| Pin 53 | 53 |
| Pin 54 | 54 |
| Pin 55 | 55 |
| Pin 56 | 56 |
| Pin 57 | 57 |
| Pin 58 | 58 |
| Pin 59 | 59 |
| Pin 60 | 60 |
| Pin 61 | 61 |
| Pin 62 | 62 |
| Pin 63 | 63 |
| Pin 64 | 64 |
| Pin 65 | 65 |
| Pin 66 | 66 |
| Pin 67 | 67 |
| Pin 68 | 68 |
| Pin 69 | 69 |
| Pin 70 | 70 |
| Pin 71 | 71 |
| Pin 72 | 72 |
| Pin 73 | 73 |
| Pin 74 | 74 |
| Pin 75 | 75 |
| Pin 76 | 76 |
| Pin 77 | 77 |
| Pin 78 | 78 |
| Pin 79 | 79 |
| Pin 80 | 80 |
| Pin 81 | 81 |
| Pin 82 | 82 |
| Pin 83 | 83 |
| Pin 84 | 84 |
| Pin 85 | 85 |
| Pin 86 | 86 |
| Pin 87 | 87 |
| Pin 88 | 88 |
| Pin 89 | 89 |
| Pin 90 | 90 |
| Pin 91 | 91 |
| Pin 92 | 92 |
| Pin 93 | 93 |
| Pin 94 | 94 |
| Pin 95 | 95 |
| Pin 96 | 96 |
| Pin 97 | 97 |
| Pin 98 | 98 |
| Pin 99 | 99 |
| Pin 100 | 100 |

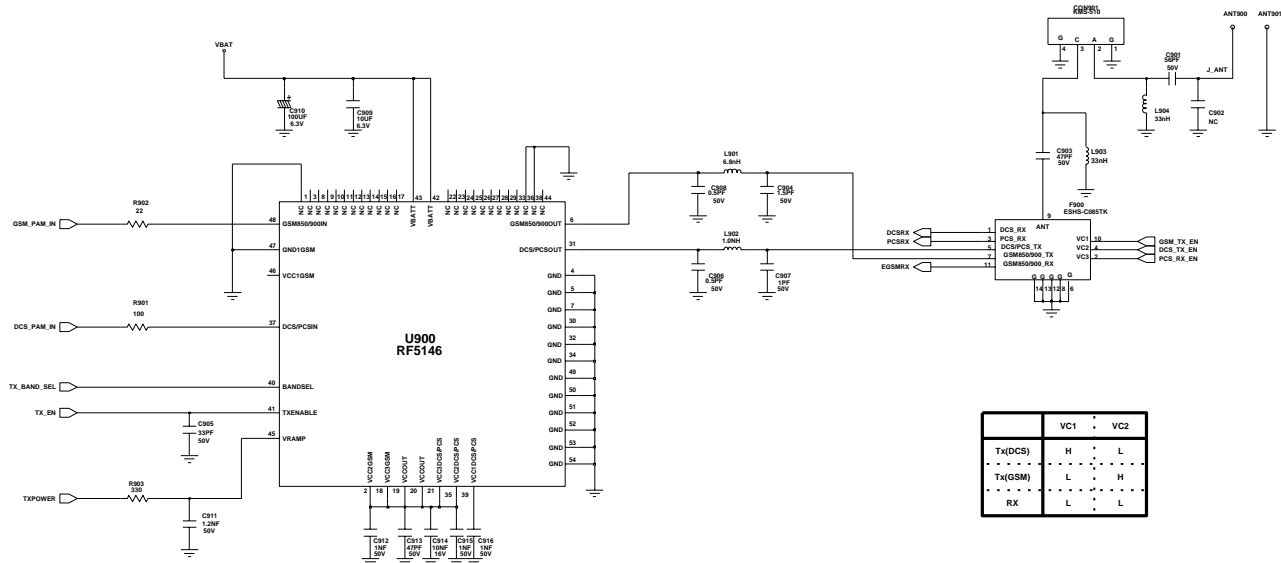


| | | | | |
|--------------|----------------------------|--|------------|-----------------|
| Engineer | SAMSUNG ELECTRONICS | | Size A3 | |
| Drawn by | | | | |
| RAJ/CHK | | | | TITLE: |
| DOC CTRL CHK | | | | SGH-X480 |
| MFG ENGR CHK | | | | |



- 1) Toyocom & KSS to be reviewed
- 2) Toyocom samples to be reviewed starting 5/26/04 ; to coordinate with Toyocom on behalf of Mr.Park/Samsung

| | | |
|--------------|---------------------|---------|
| Engineer | SAMSUNG ELECTRONICS | |
| Drawn by | TITLE: | Size AS |
| RD/CHK | SGH-X480 | |
| DOC CTRL/CHK | | |
| WFO ENGR/CHK | | |



**U900
RF5146**

| | VC1 | VC2 |
|---------|-----|-----|
| Tx(DCS) | H | L |
| Tx(GSM) | L | H |
| RX | L | L |

| | | | | | |
|---------------|----------------------------|------------|----------------|------------|-----------------|
| Engineer | SAMSUNG ELECTRONICS | | Sheet 9 of 9 | | |
| Drawn by | | | | | |
| RAJ/CHK | | | | TITLE: | SGH-X480 |
| DOC C/REL/CHK | | | | REV | 2.4 |
| MFG ENDR/CHK | Date Changed | 2005.01.27 | Time Changed | 3:12:36 pm | |
| | QA/CHK | | Drawing Number | | |