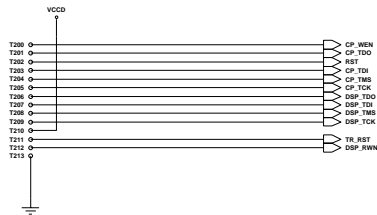
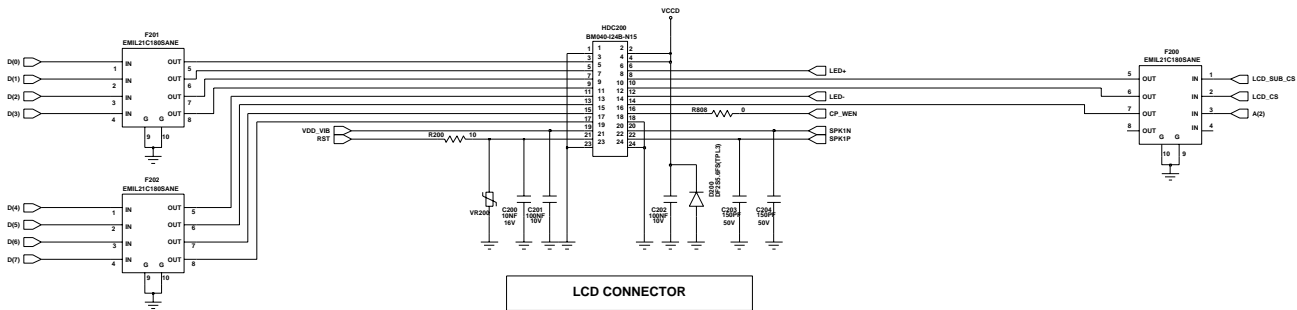
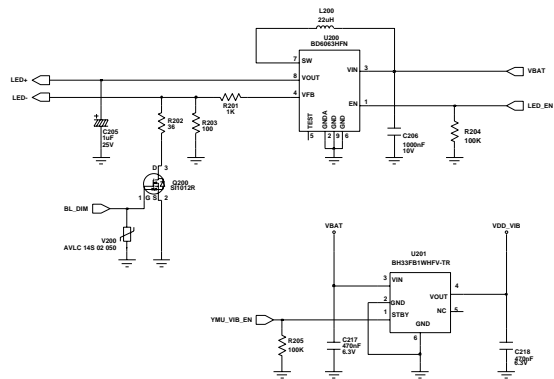


**U100
CSP2200B1**

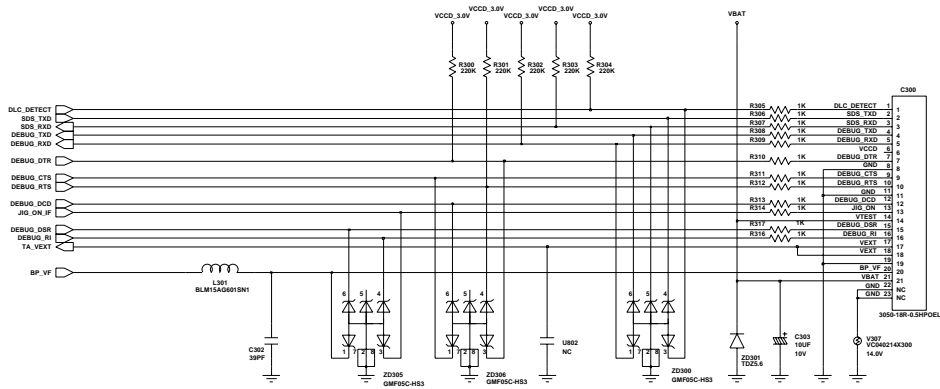
SAMSUNG ELECTRONICS	
Engineer	
Drawn by	
RED CHK	TITLE:
MOD CTRL CHR	SGH-X461
MFG ENGR CHR	Size A3



JTAG CON



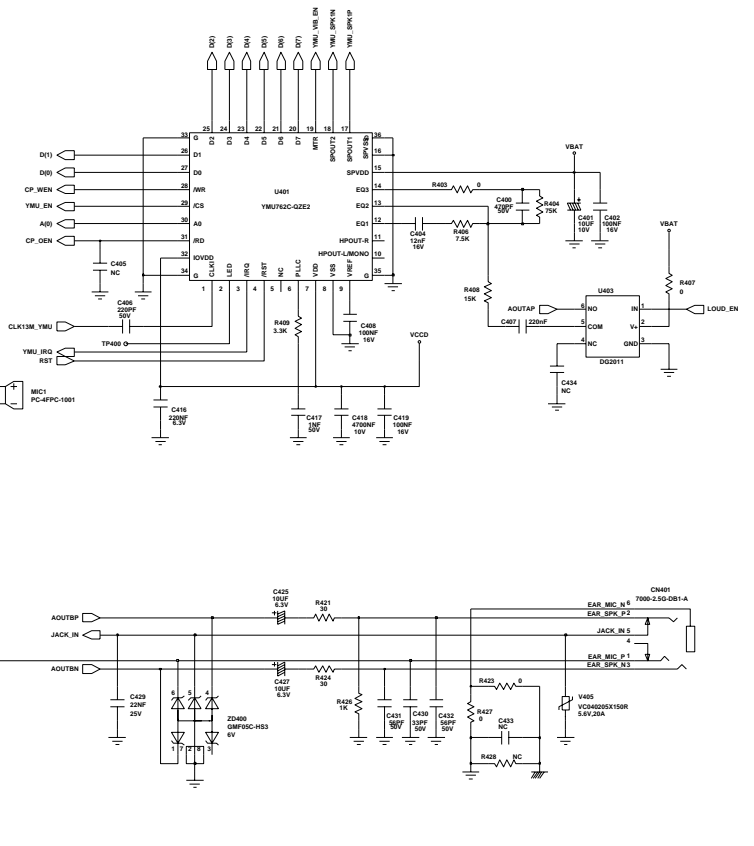
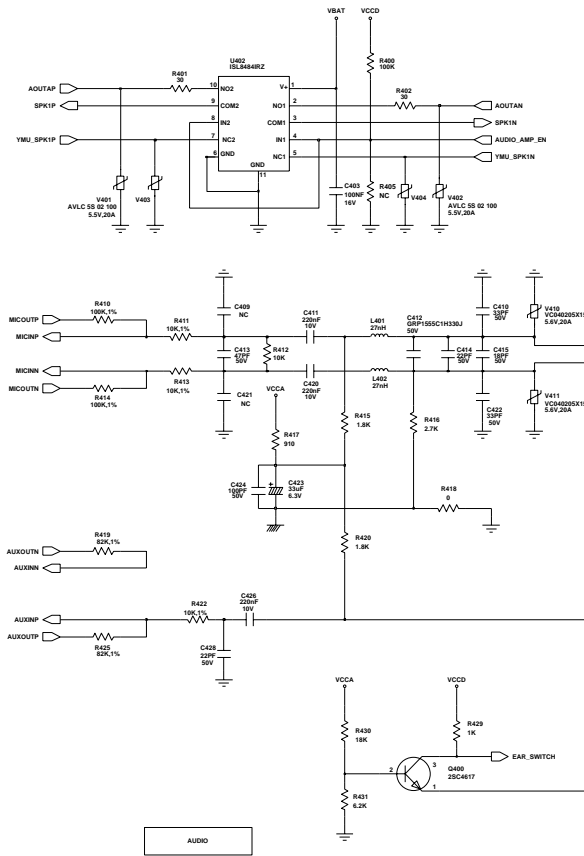
Engineer	SAMSUNG ELECTRONICS				
Drawn by					
RED CHK				TITLE:	Size A3
UDC CTRL CHR				SGH-X461	
MFG ENGR CHR					



I/F CONNECTOR

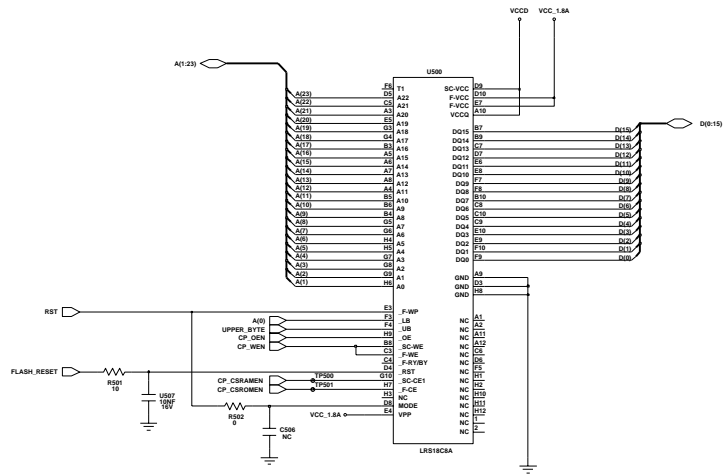
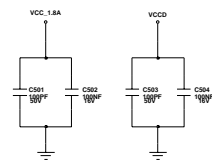
Engineer	SAMSUNG ELECTRONICS				
Drawn by					
REP CHK				TITLE:	Size A3
ESC CTR CHK				SGH-X461	
MFG ENGR CHK					

Changed by user	Date Changed 2006.02.02	Time Changed 3:10:28 pm	QA CHK KCH02143300	REV 0.6	Drawing Number	Sheet 3 of 8
--------------------	----------------------------	----------------------------	-----------------------	------------	----------------	--------------



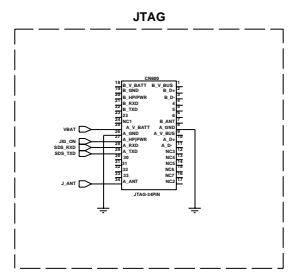
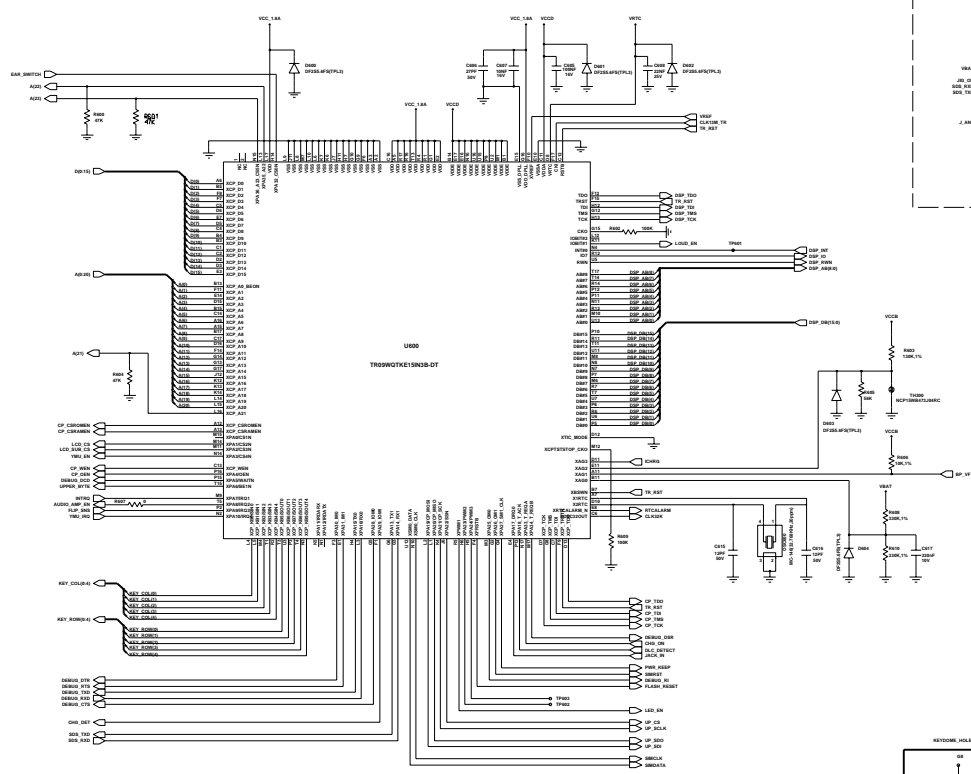
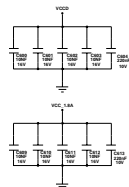
AUDIO

Engineer		SAMSUNG ELECTRONICS	Size A3	
Drawn by				
RED CHK				SGH-X461
UDC CTRL CHR				
MFD ENGR CHR				

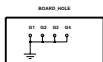
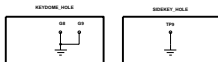


MEMORY

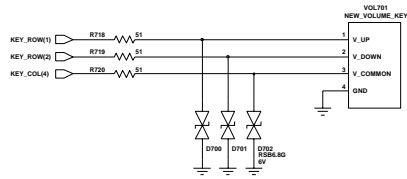
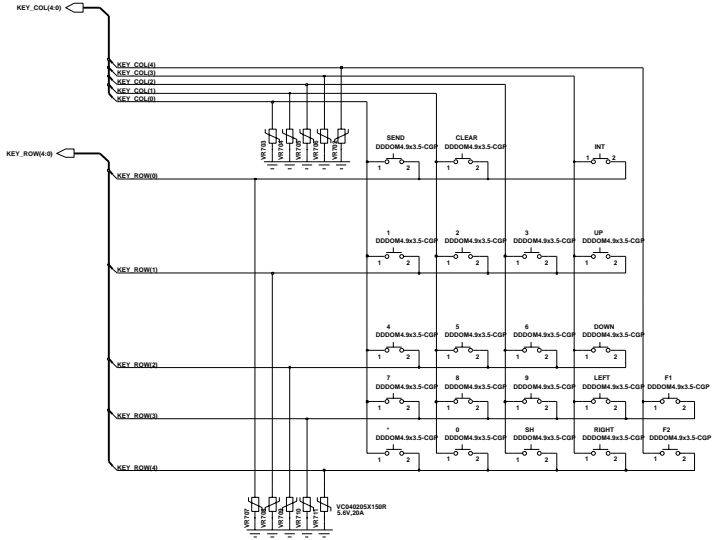
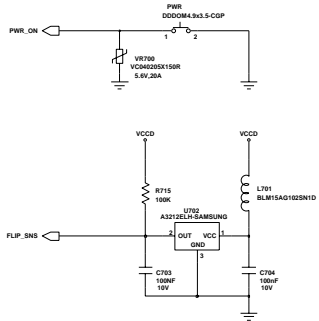
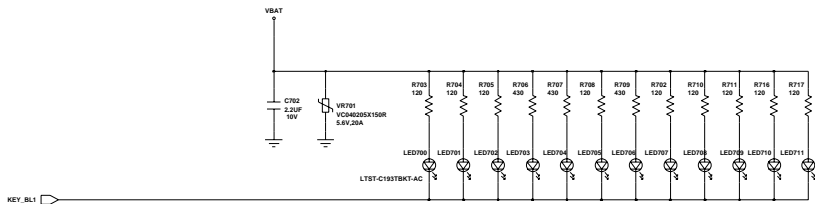
Engineer	SAMSUNG ELECTRONICS				
Drawn by					
REP CHK				TITLE:	Size
ESC & TBL CHK				SGH-X461	AS
MFG ENGR CHK					



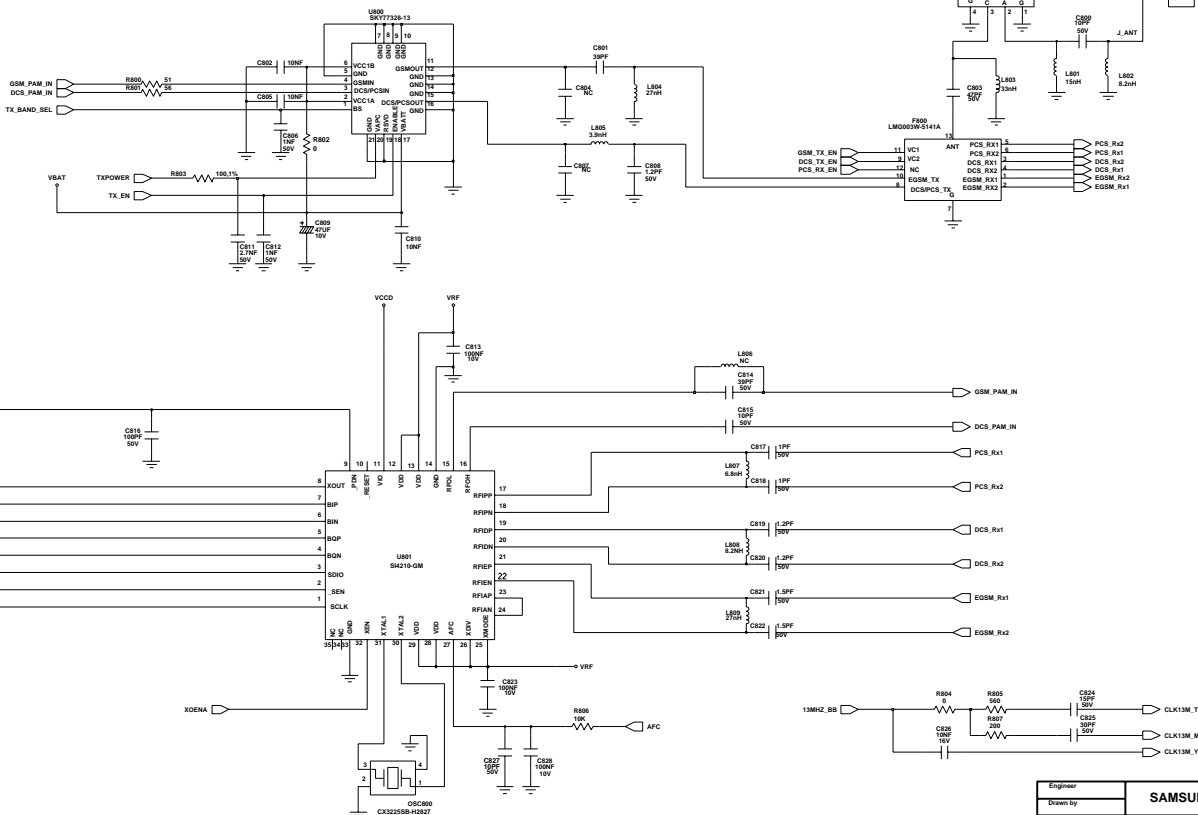
TRIDENT



SAMSUNG ELECTRONICS	
Part No.	SGH-X461
Rev.	1.0
Date	2006.02.02
Author	
Checker	
Appr.	
Design	
Drawn	
Checked	
Approved	
By	
Date	



Engineer	SAMSUNG ELECTRONICS		
Drawn by			
RED CHK	TITLE:	Size A3	
DDC CTRL CHR	SGH-X461		
MFD ENDR CHR			



Engineer		SAMSUNG ELECTRONICS	
Drawn by			
RED CHK	TITLE:		
UDC CTRL CHR	Size A3		
MFD ENDR CHR	SGH-X461		