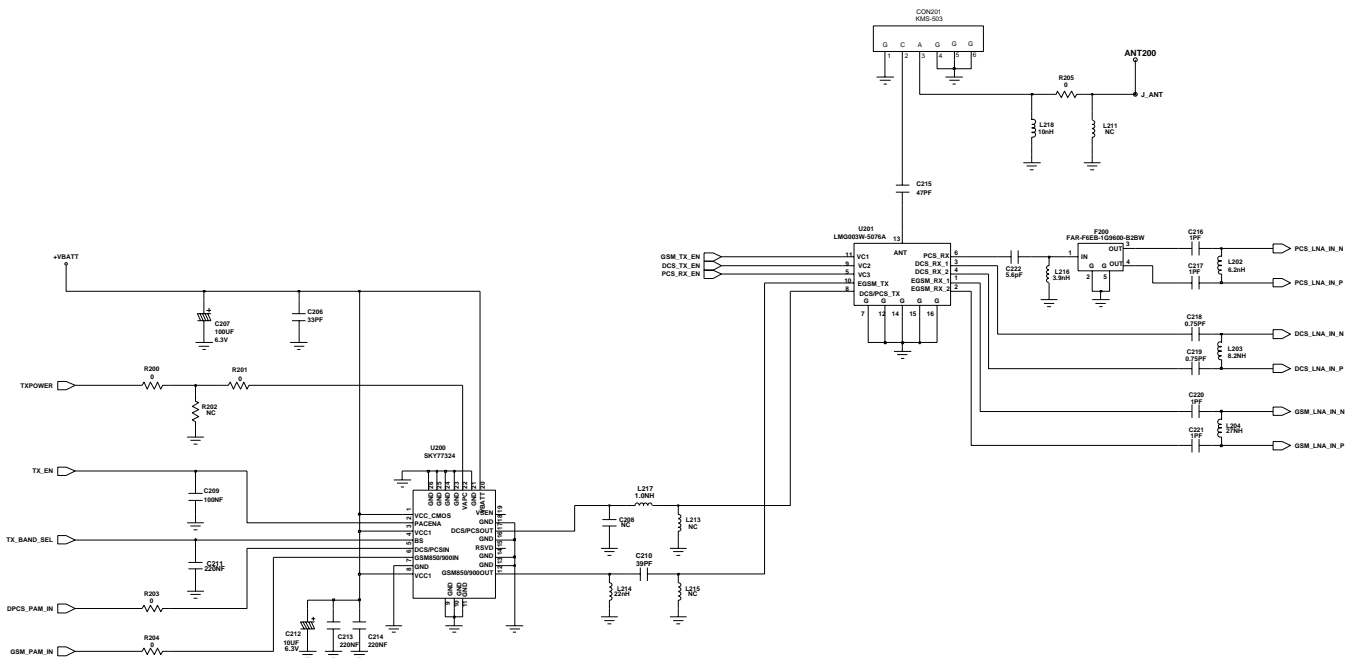


Engineer	<b>SAMSUNG ELECTRONICS</b>		Size A3
Drawn By			
R&D CHK	TITLE:	<b>SGH-X450</b>	
DQC CTRL CHK			
MFG ENDR CHK			

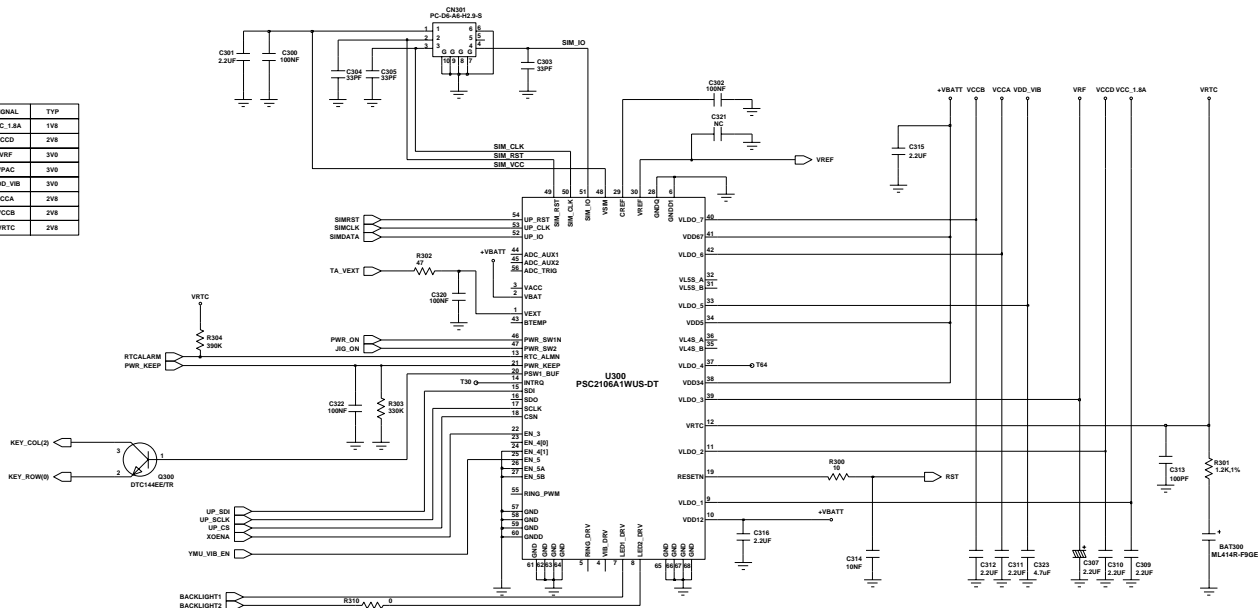
Changed by user	Date Changed 2004.02.20	Time Changed 3:12:21 pm	QA CHK	REV 2.3	Drawing Number	Sheet 1 of 10
--------------------	----------------------------	----------------------------	--------	------------	----------------	---------------



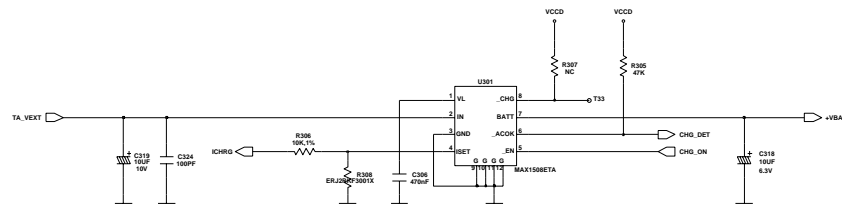
TRANSMITTER & RECEIVER

Engineer	<b>SAMSUNG ELECTRONICS</b>		
Drawn by	TITLE:		Size A3
R&D CHK	<b>SGH-X450</b>		
DWG CTRL CHK			
MFG ENGR CHK			

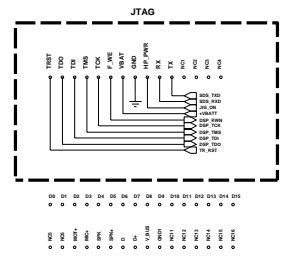
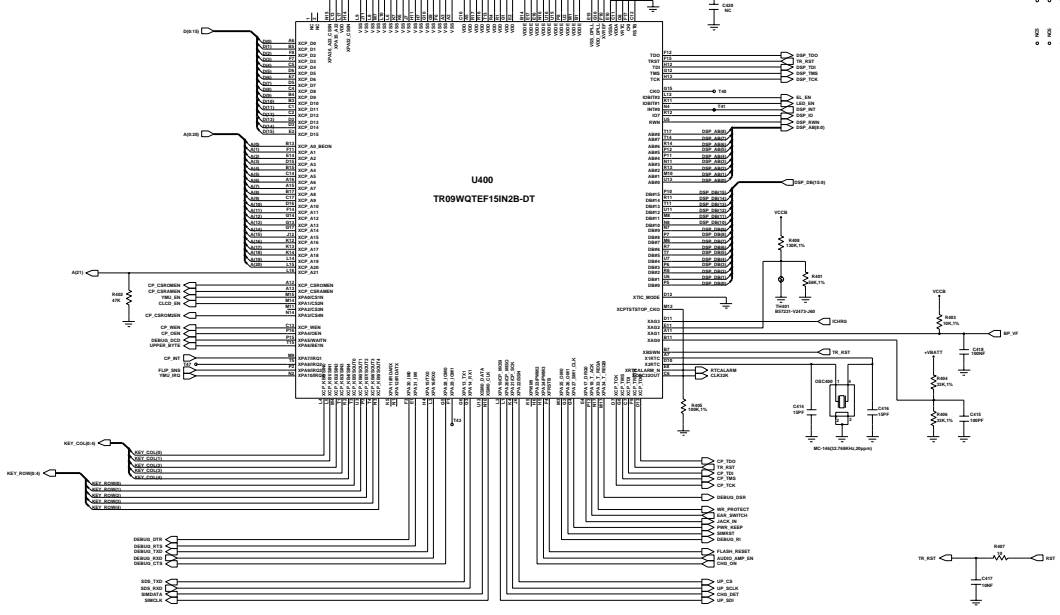
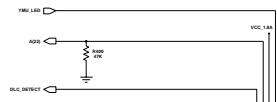
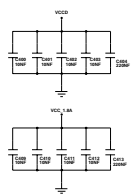
SIGNAL	TYP
VCC_1.8A	1V8
VCCD	2V8
VVF	3V0
VPAC	3V0
VDD_VIB	3V0
VCCA	2V8
VCCB	2V8
VVTC	2V8



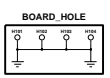
**POWER**



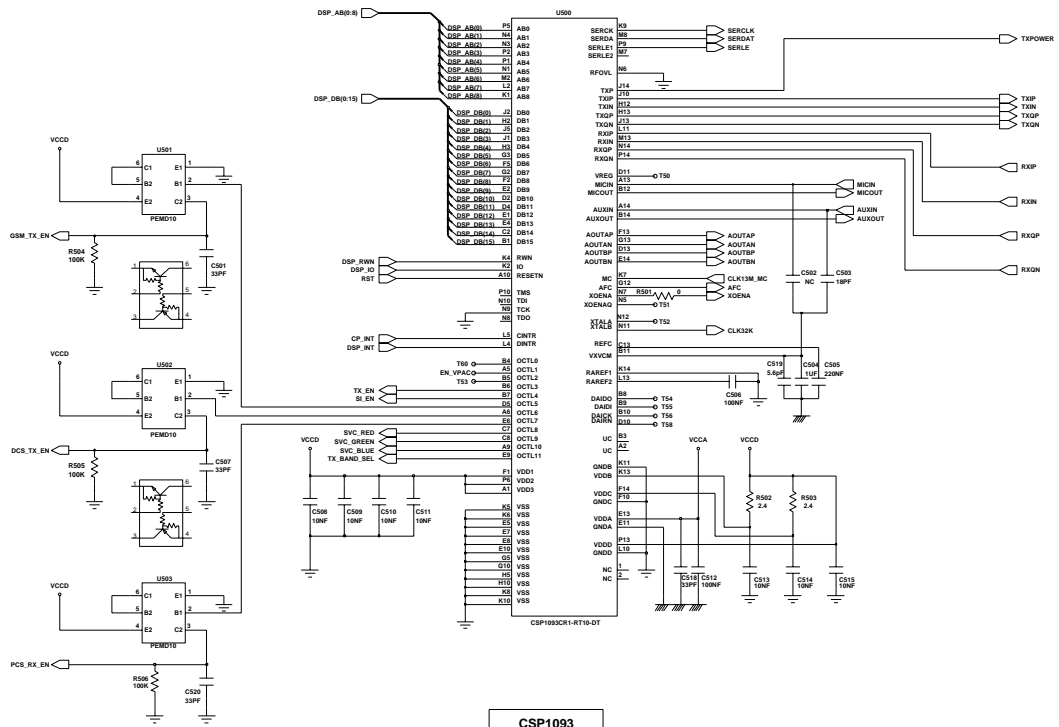
Engineer	<b>SAMSUNG ELECTRONICS</b>				
Drawn by					
REW/CHK				TITLE: <b>SGH-X450</b>	Size AS
DWG CTRL CHK				MFG ENGR CHK	REV 2.8
Drawing Number		Sheet 3	of 10		



TRIDENT

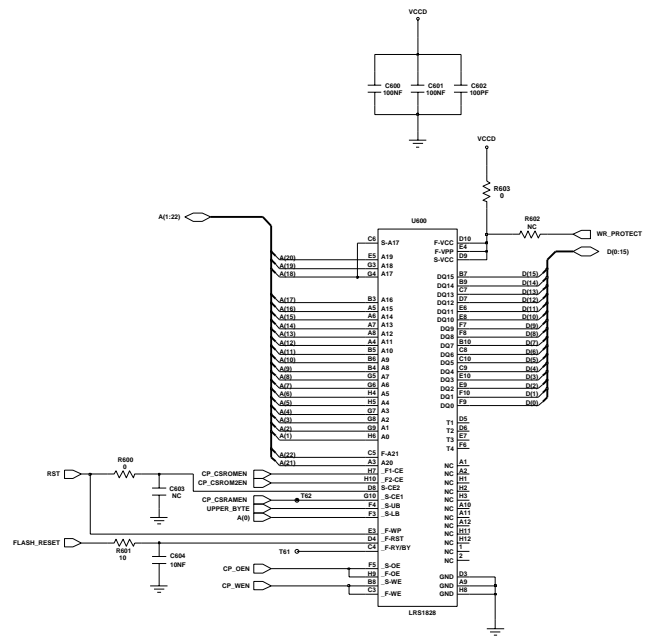


Part Number	SAMSUNG ELECTRONICS
Product No.	U400
Part Name	SGH-X450
Manufacturer Code	
Product Code	
Part No.	U400
Part Name	SGH-X450
Part No.	U400
Part Name	SGH-X450



CSP1093

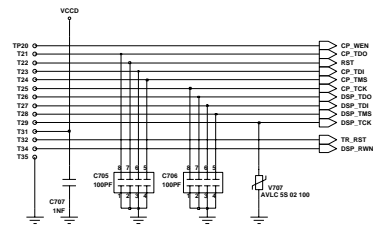
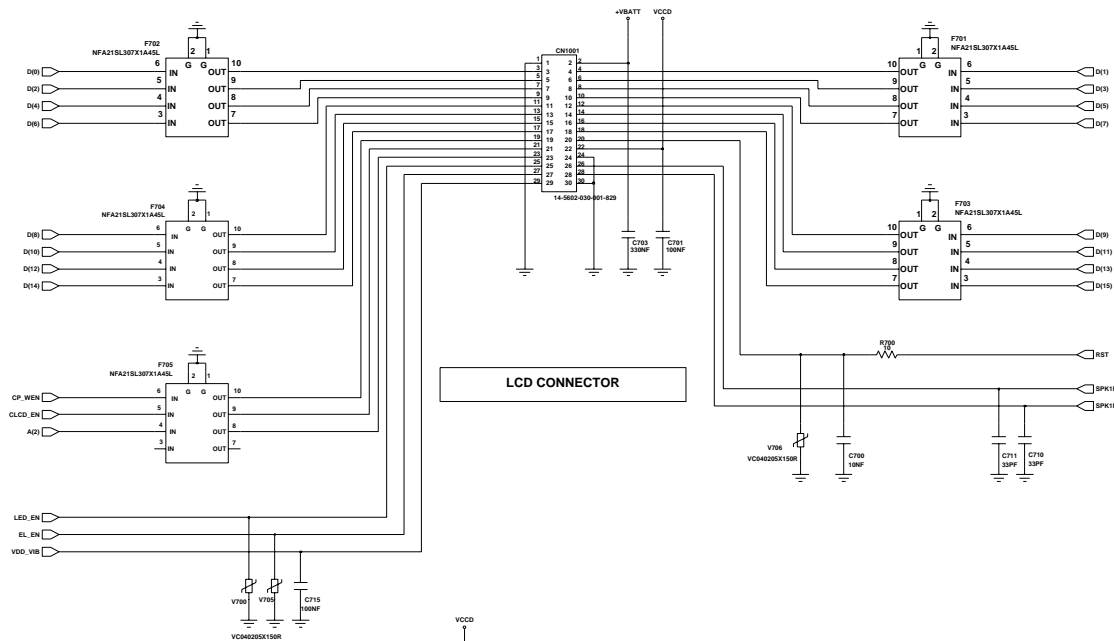
Engineer	SAMSUNG ELECTRONICS		
Drawn by	TITLE: SGH-X450		
RD/CHK	Mfg AS		
DOC CTRL/CHK	REV		
MFG INSRV/CHK	Drawing Number		
Changed by	Date Changed	Time Changed	REV
used	2004.02.20	3:11:43 pm	2.8
Sheet 5		of 10	



MEMORY

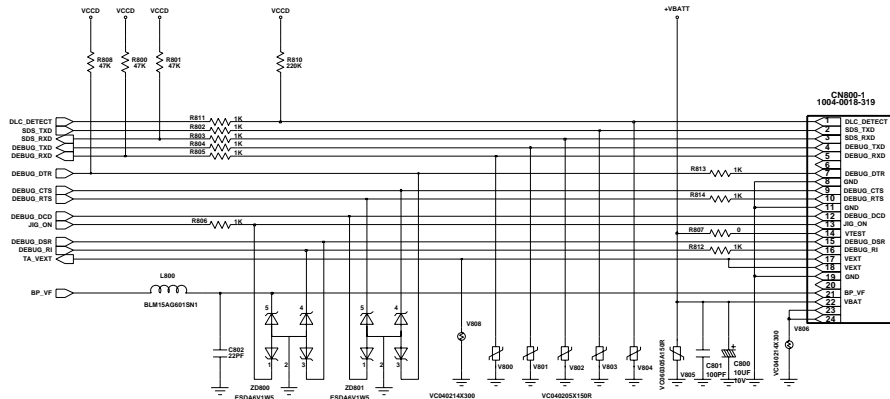
Engineer	<b>SAMSUNG ELECTRONICS</b>		Sheet 6 of 10	
Drawn by				
R&D CHK				TITLE: <b>SGH-X450</b>
DWG CTRL CHK				
MFG ENSUR CHK	REV 2.8	Drawing Number	Sheet 6 of 10	





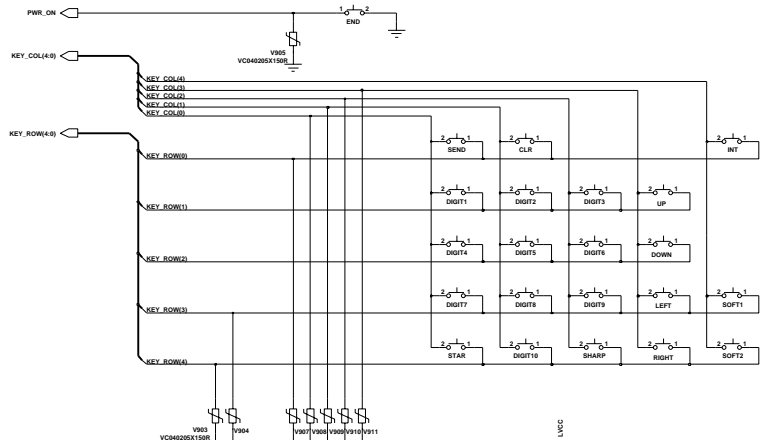
**JTAG CON**

Engineer	<b>SAMSUNG ELECTRONICS</b>		
Drawn by			
RD/CHK	TITLE:	Size AS	
DOC CTRL CHK	<b>SGH-X450</b>		
MFG ENDR CHK			

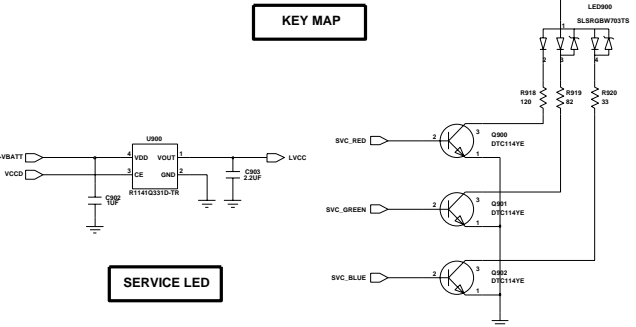


I/F CONNECTOR

Engineer	<b>SAMSUNG ELECTRONICS</b>		Size A3	
Drawn by				
R&D CHK				TITLE:
DWG CTRL CHK				<b>SGH-X450</b>
MFG ENDR CHK				

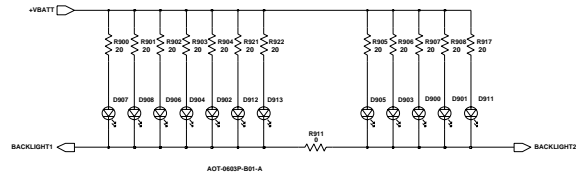


**KEY MAP**

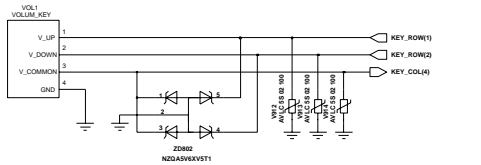


**SERVICE LED**

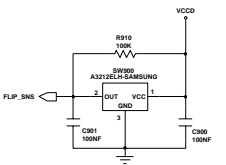
**DOM-GUIDE HOLE**



**KEY LED**



**SIDE KEY**



**HALL IC**

Engineer	<b>SAMSUNG ELECTRONICS</b>		
Drawn by	TITLE:		
RED/CHK	<b>SGH-X450</b>		
DWG CTRL/CHK	REV 2.3		
MFG INDR/CHK	Drawing Number		
	Sheet 9 of 10		

