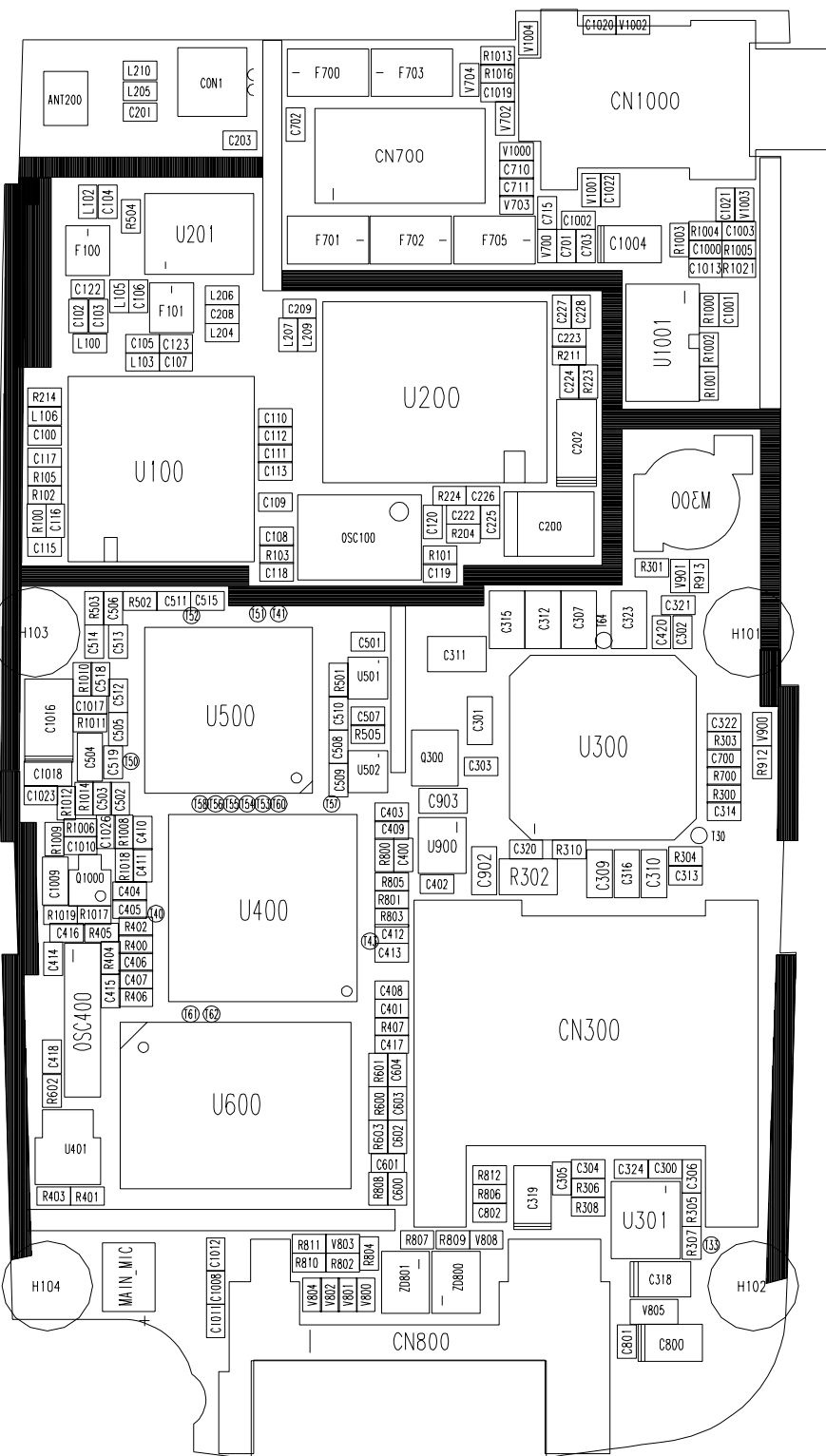
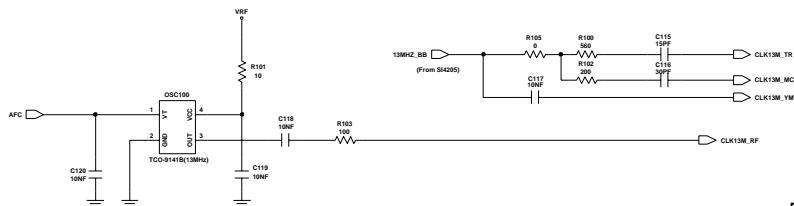
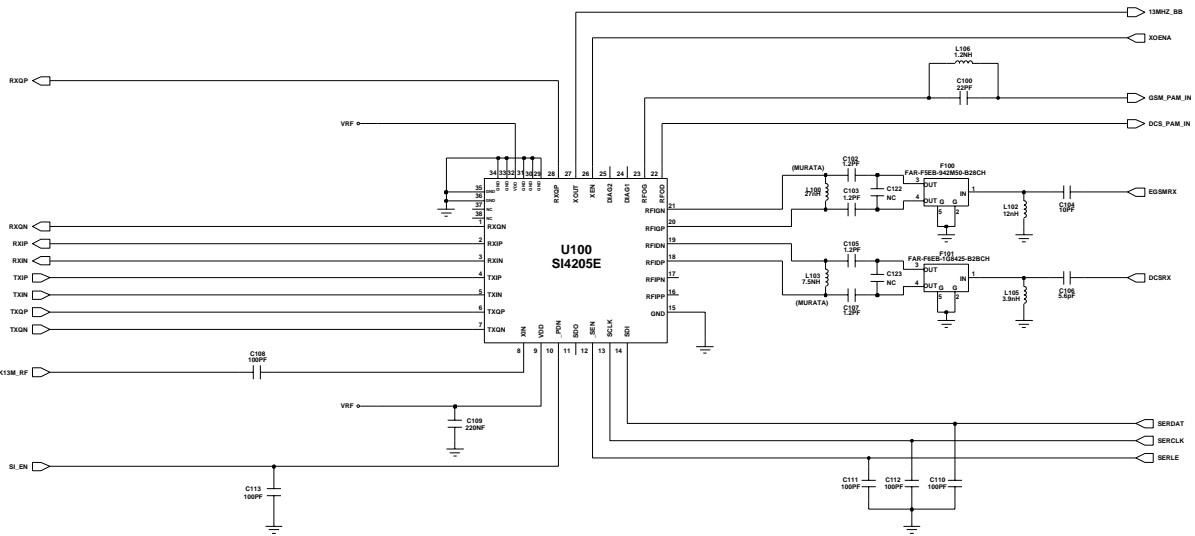


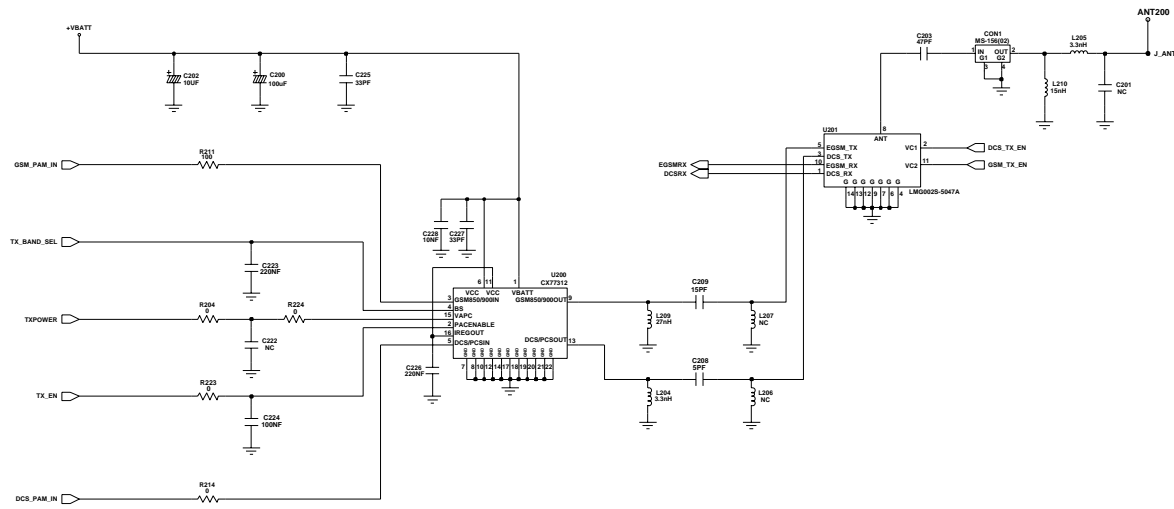
# SGH-X430 Rev1.3 ASSY2



TRST	T00	T01	TMS	TCK	F_WE	VBAT	GND	HP_PRR	RX	TX	J_ANT
------	-----	-----	-----	-----	------	------	-----	--------	----	----	-------



Engineer	<b>SAMSUNG ELECTRONICS</b>		
Drawn by		TITLE:	Size AS
RED-CHEK		<b>SGH-X430</b>	
DOC CTRL CHK			
MPG ENGR CHK			

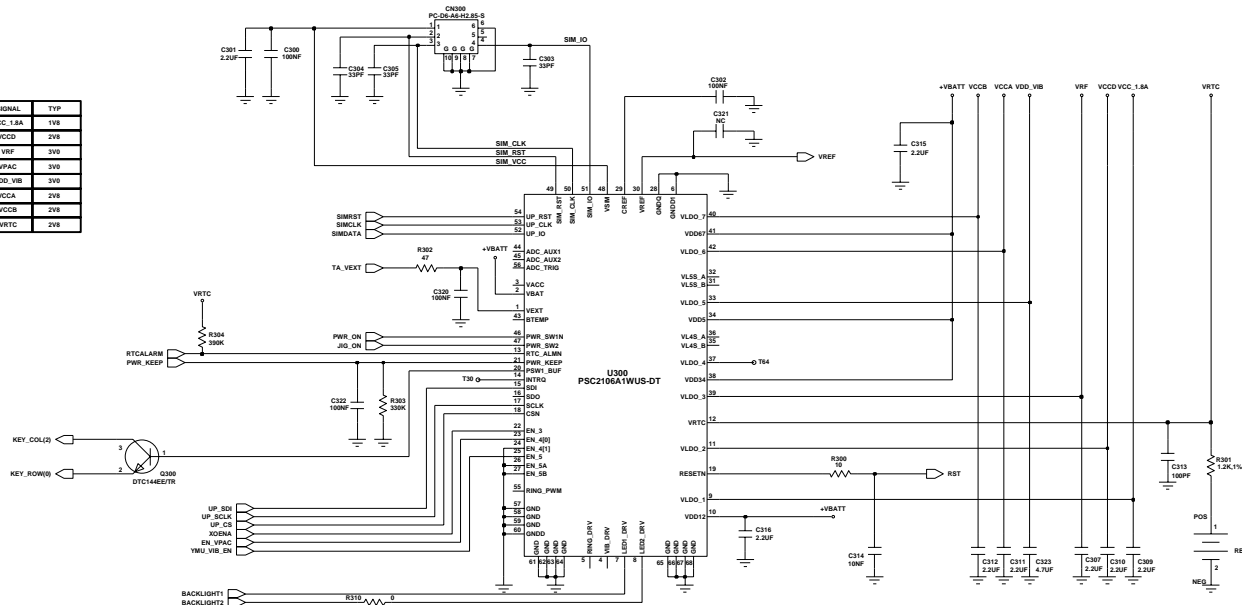


TRANSMITTER & RECEIVER

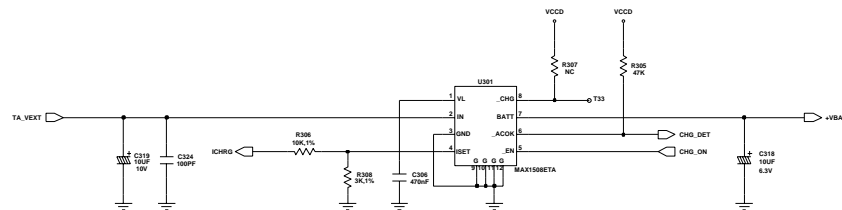
Engineer	<b>SAMSUNG ELECTRONICS</b>	
Drawn by	TITLE:	
RD/CHK	<b>SGH-X430</b>	
DC/CHK	REV	
MFQ/CHK	Drawing Number	
	Sheet 2 of 10	

Changed by	Date Changed	Time Changed	G.A. CHK
user	2003.10.07	1:12:36 pm	

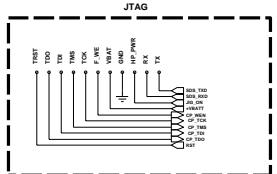
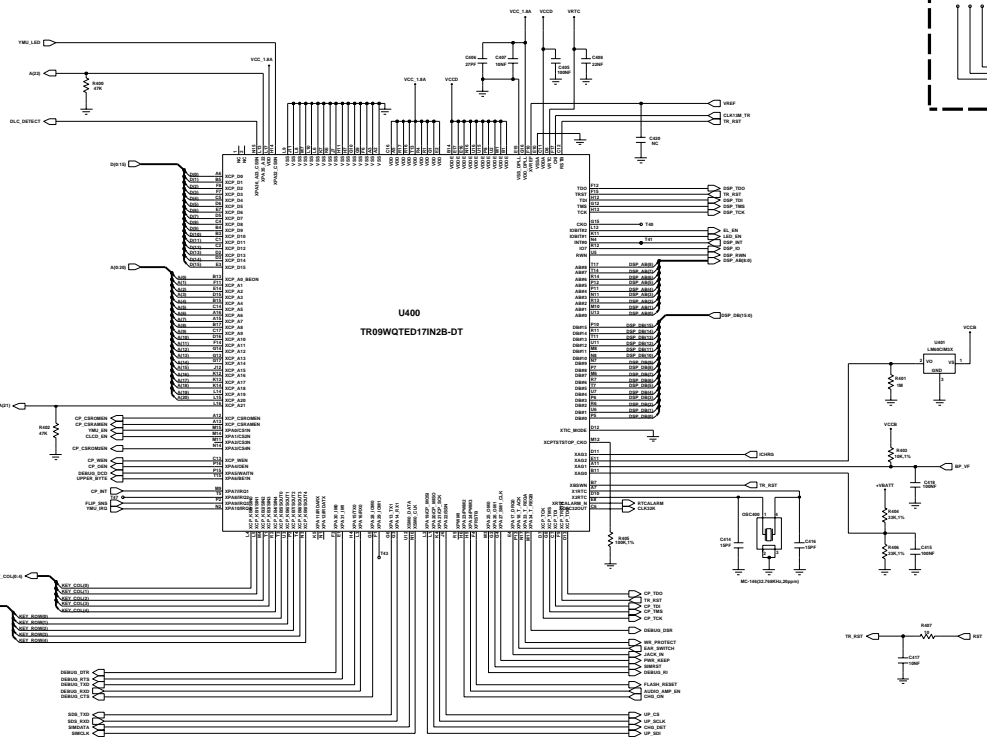
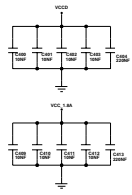
SIGNAL	TYP
VCC_1.8A	1W9
VCCD	2W9
VVF	3V0
VPAC	3V0
VDD_VIB	3V0
VCCA	2V9
VCCB	2V9
VVTC	2V9



**POWER**

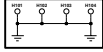


Engineer	<b>SAMSUNG ELECTRONICS</b>	
Drawn by	TITLE: <b>SGH-X430</b>	
Rev'd	Size: <b>AS</b>	
CHK CTRL CHK	REV: <b>1.3</b>	
MPG ENDR CHK	Drawing Number: <b>SGH-X430</b>	

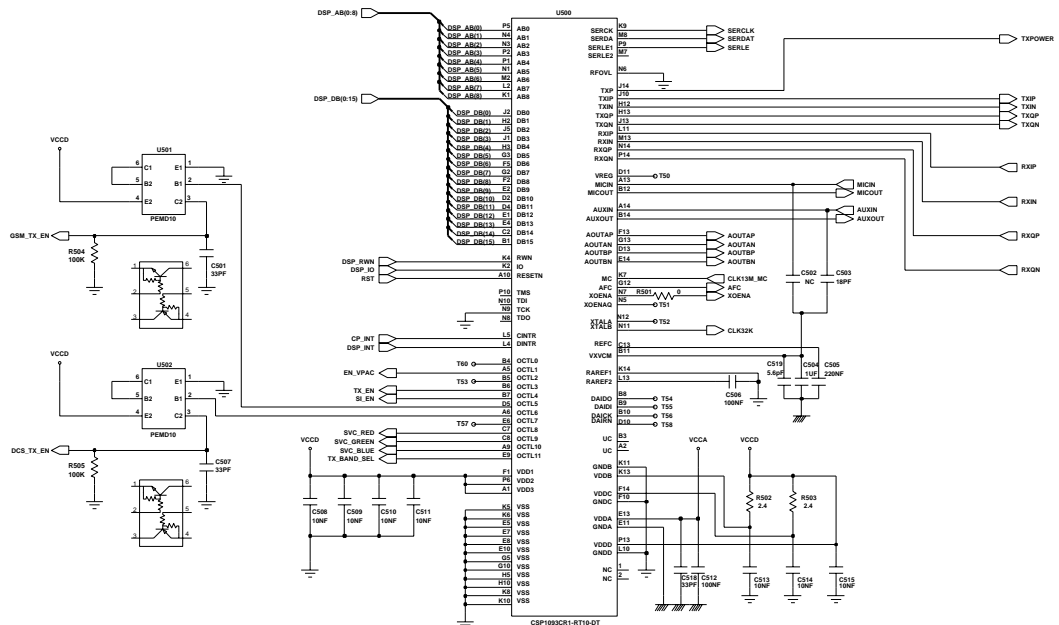


TRIDENT

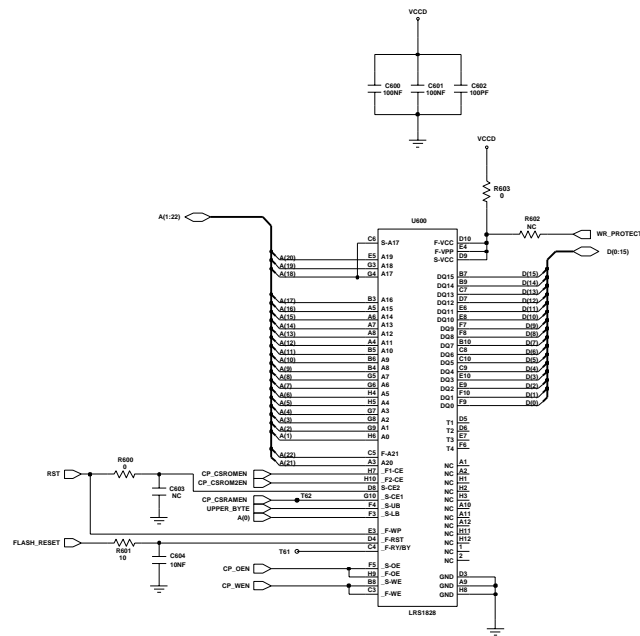
BOARD HOLE



Part Number	SAMSUNG ELECTRONICS
Manufacturer	TRIDENT
Part Name	SGH-X430
Package Code	
Part Description	



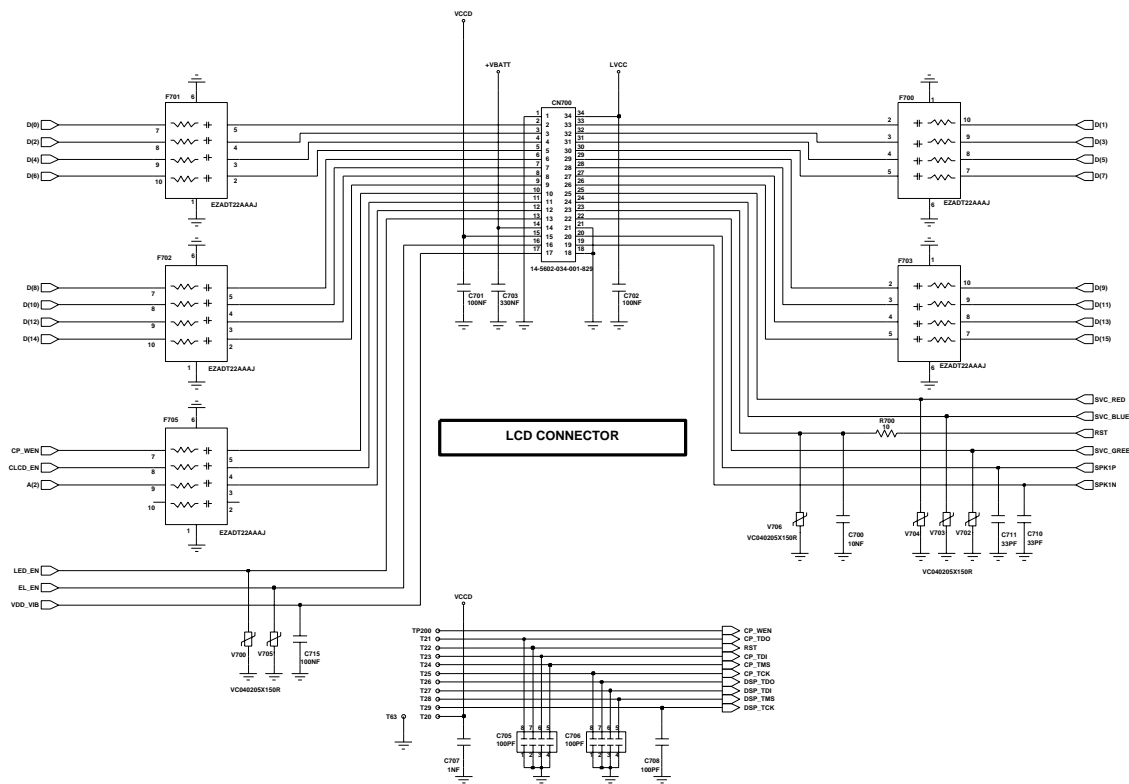
CSP1093



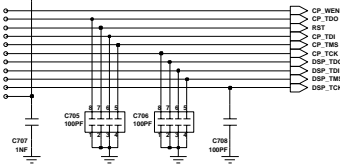
**MEMORY**

Engineer	<b>SAMSUNG ELECTRONICS</b>		
Drawn by	TITLE:		
RD-CMK	Size AS		
CHK CTRL CHK	<b>SGH-X430</b>		
MPG ENDR CHK	REV 1.3		
Changed by	Date Changed	Time Changed	QA CHK
used	2003.10.07	3:11:09 pm	
			REV 1.3
			Drawing Number
			Sheet 6 of 10



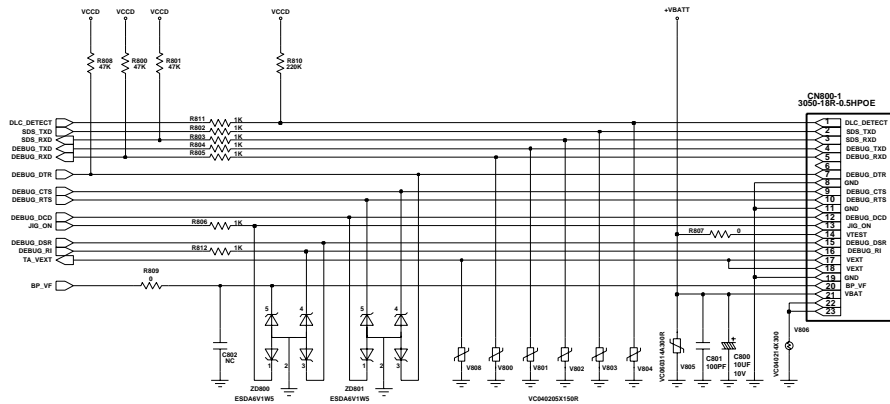


LCD CONNECTOR



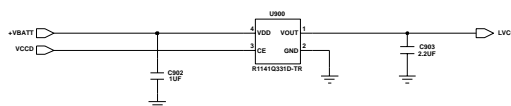
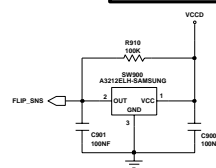
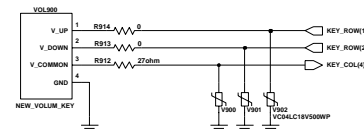
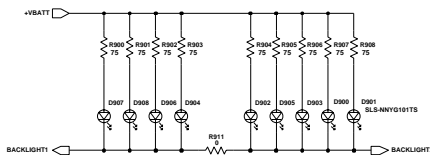
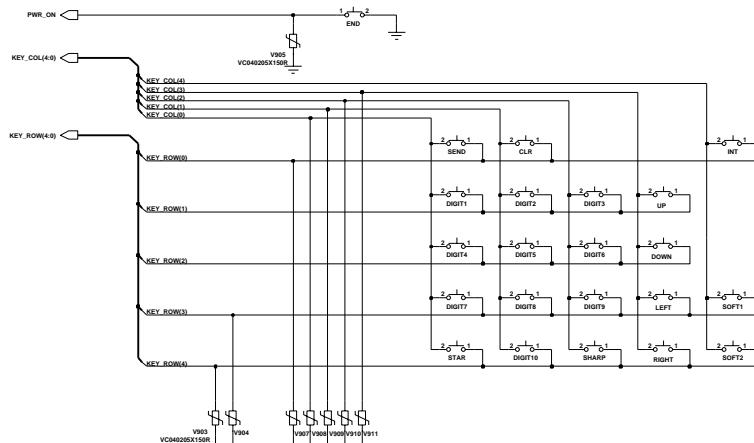
JTAG CON

Engineer	SAMSUNG ELECTRONICS	
Drawn by	TITLE:	Size AS
RED CHK	SGH-X430	
DOC CTRL CHK		
MFG ENDR CHK		

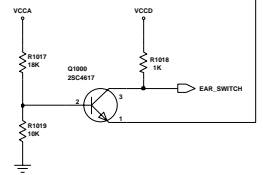
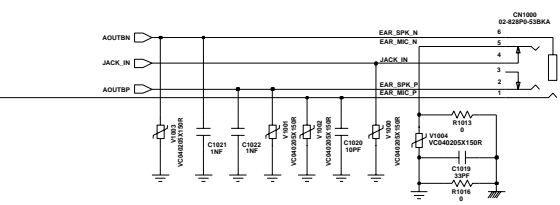
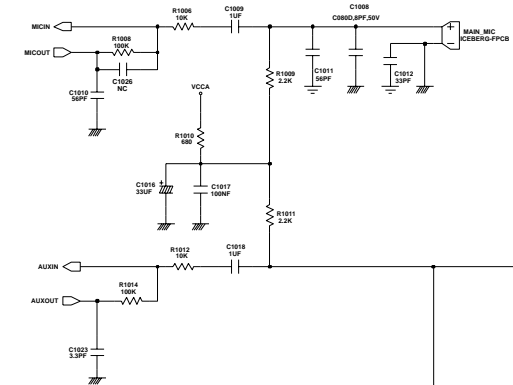
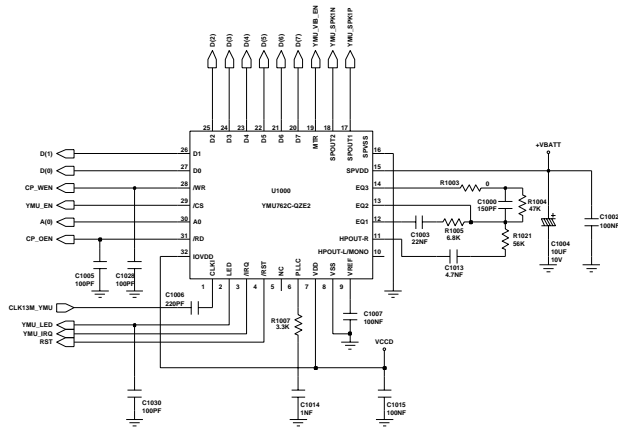
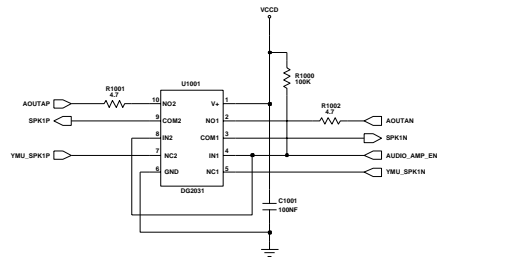


I/F CONNECTOR

Engineer	SAMSUNG ELECTRONICS	
Drawn by	TITLE:	Size AS
RD/CHK	SGH-X430	
DOC CTRL CHK		
MFG INSRV CHK		
Changed by user	Date Changed 2003.10.07	Time Changed 3:10:28 pm
REV 1.3	QA CHK	Drawing Number
		Sheet 8 of 10



Engineer	SAMSUNG ELECTRONICS		
Drawn by	TITLE: <span style="float: right;">Size AS</span>		
RD/CHK	SGH-X430		
DOC CTRL/CHK			
INFO INDR/CHK			



**AUDIO**

Engineer	<b>SAMSUNG ELECTRONICS</b>		
Drawn by	TITLE: <b>SGH-X430</b>		
RD/CHK	REV: 1.3		
DWG CTRL/CHK	Drawing Number		
MFG INSR/CHK	Sheet 10 of 10		