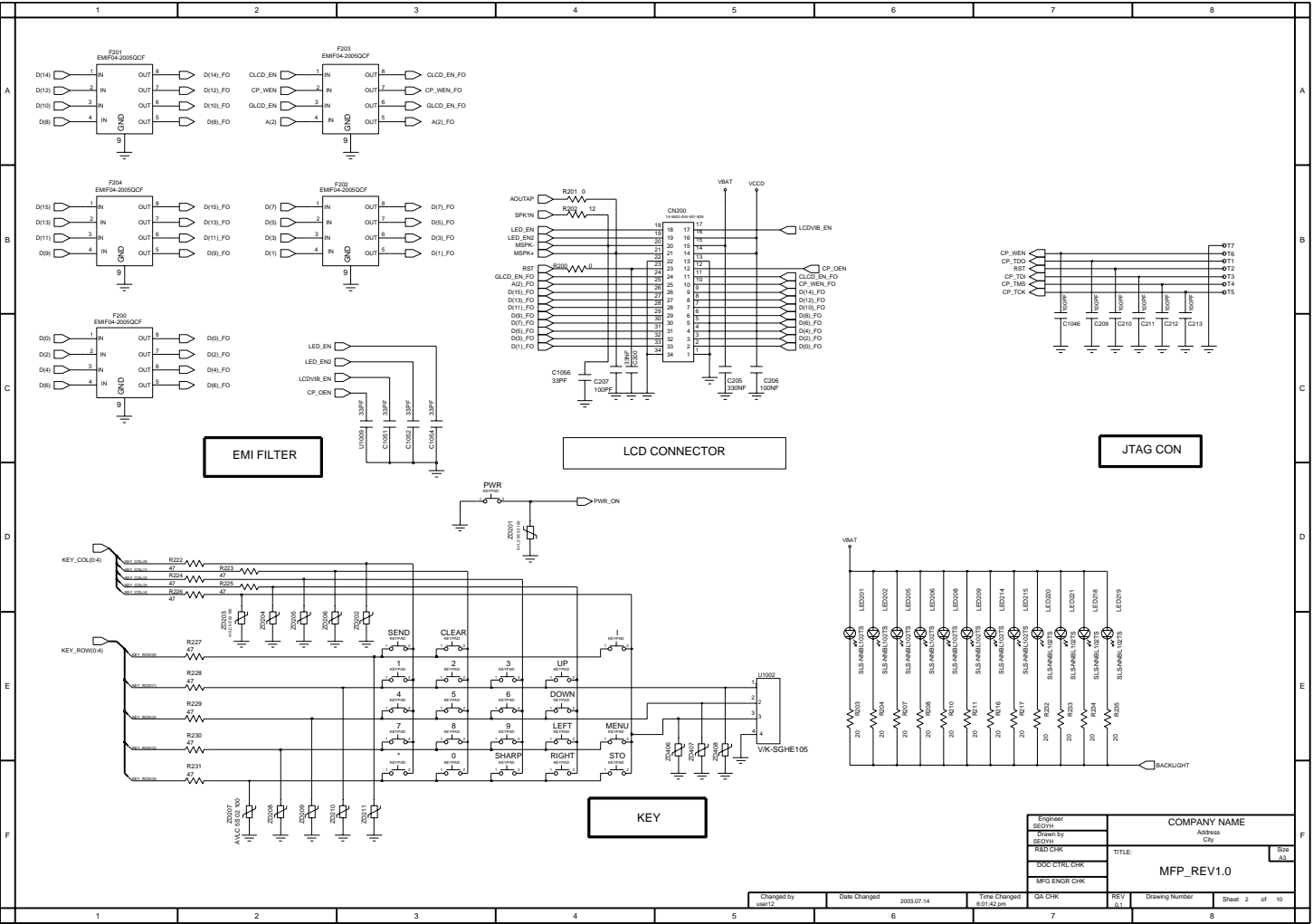


Engineer SEDYH	COMPANY NAME Address City	TITLE:	Sheet of
Drawn by SEDYH			
Check by REDACHK			
MFG ENGR CHK			
MFP_REV1.0			



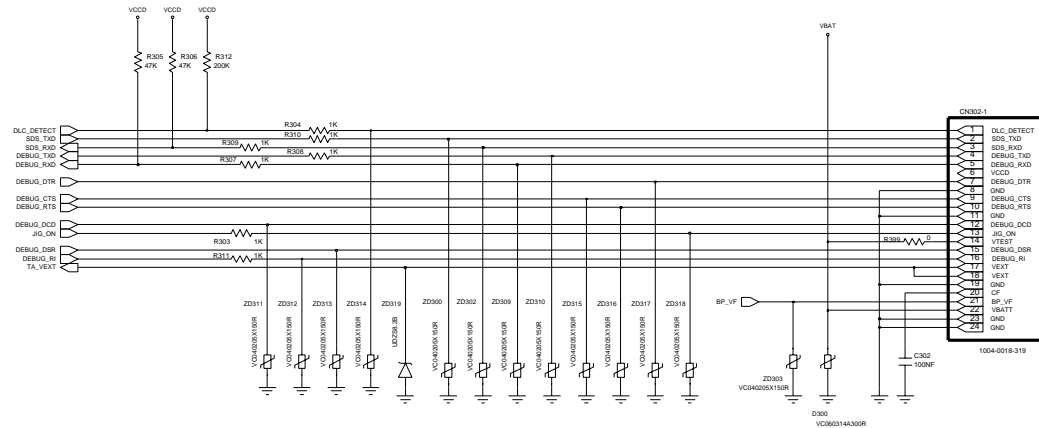
EMI FILTER

LCD CONNECTOR

JTAG CON

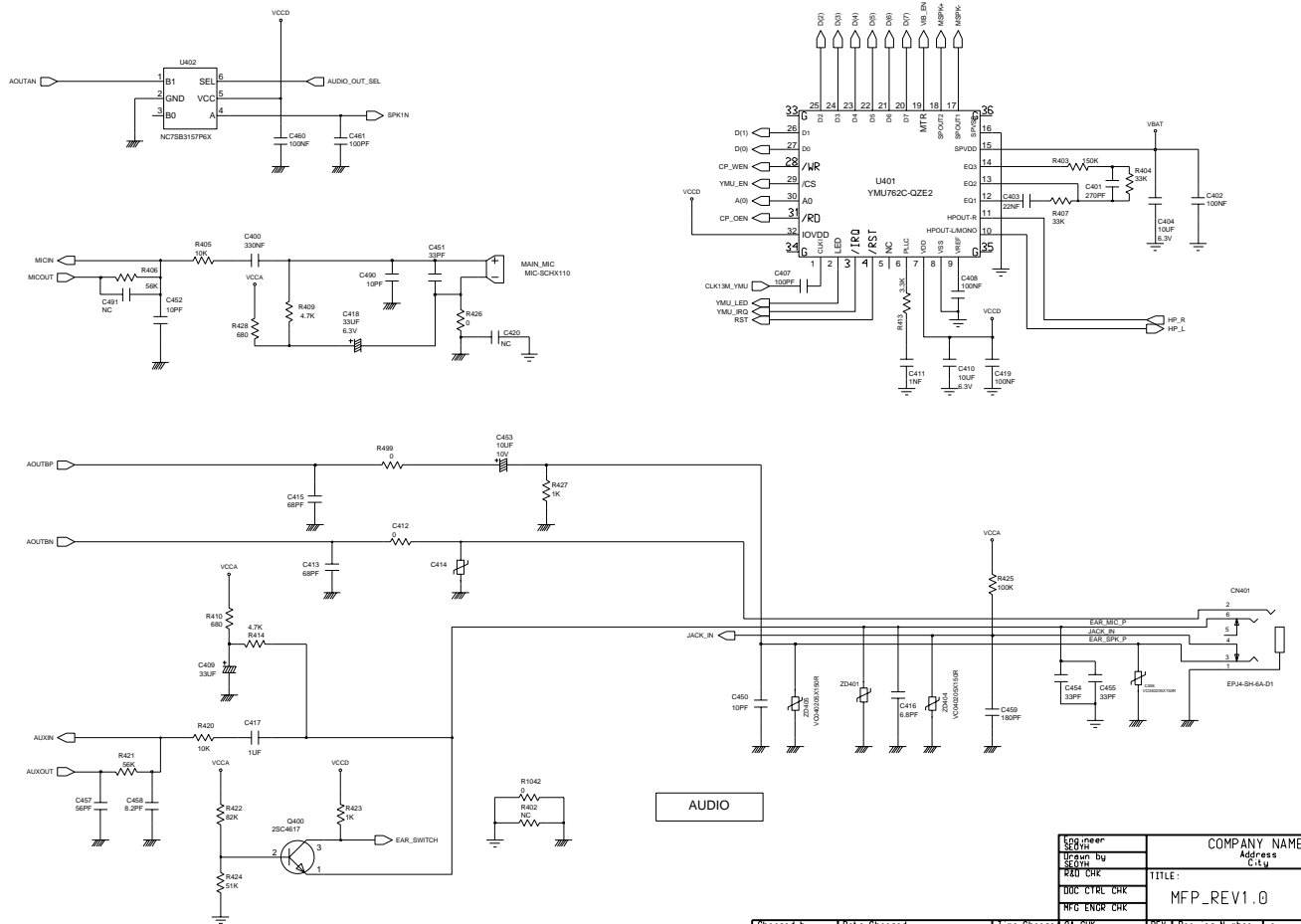
KEY

Engineer SEOH	COMPANY NAME Address City	TITLE: Scale A3
Drawn by SEOH		
REVISION		
DESIGN CTRL CHK	MFP_REV1.0	
MFG ENGR CHK		



I/F CONNECTOR

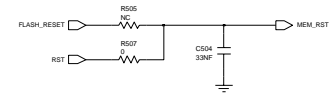
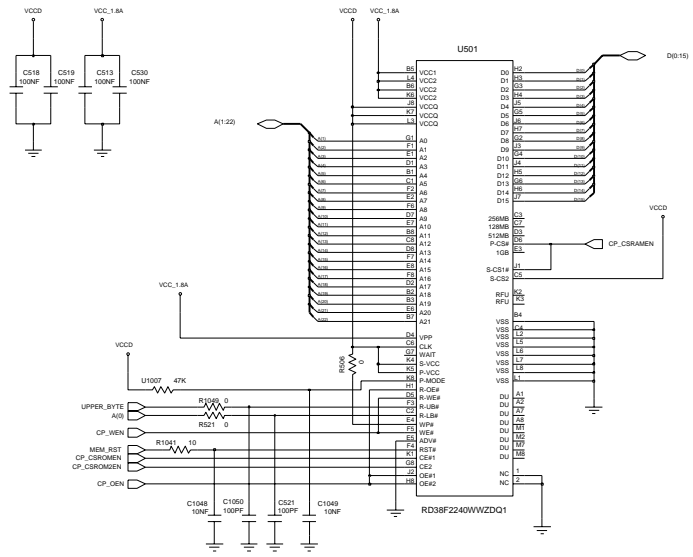
Engineer SEDYH	COMPANY NAME	
Drawn by SEDYH	Address City	
REDCR	TITLE:	Size A3
DWG CTRL CRK	MFP_REV1.0	
MFG ENGR CRK		



AUDIO

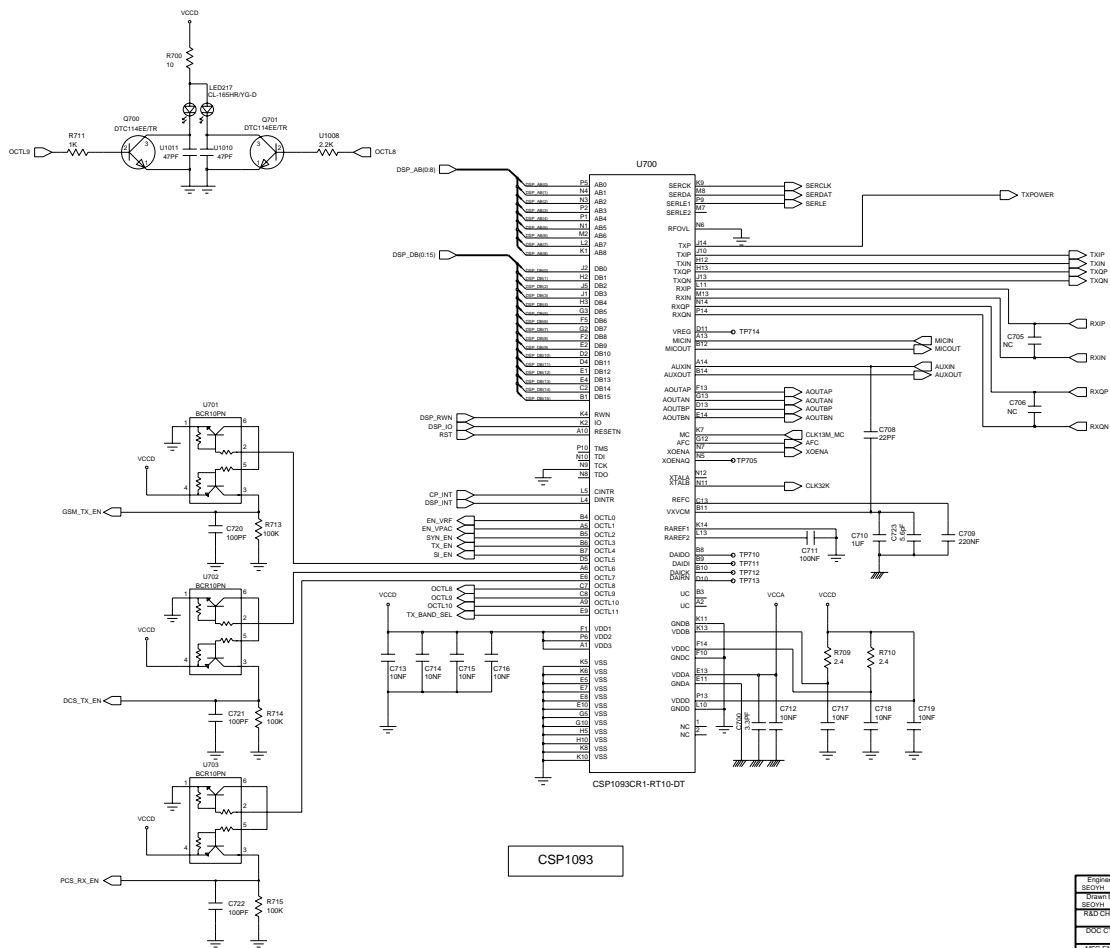
Eng. n°	SEW	COMPANY NAME	Address	City	Sheet 4 of 10
Drawn by	SEW				
Rev. n°	01	TITLE:	MFP_REV1.0		
Doc. CTRL. CHK		Rev. n°	8.1	Drawing Number	
MFG. ENGR. CHK		DA. CHK			

Changed by: User Date Changed: 2003.06.13 Time Elapsed: 6:02:25.01



MEMORY

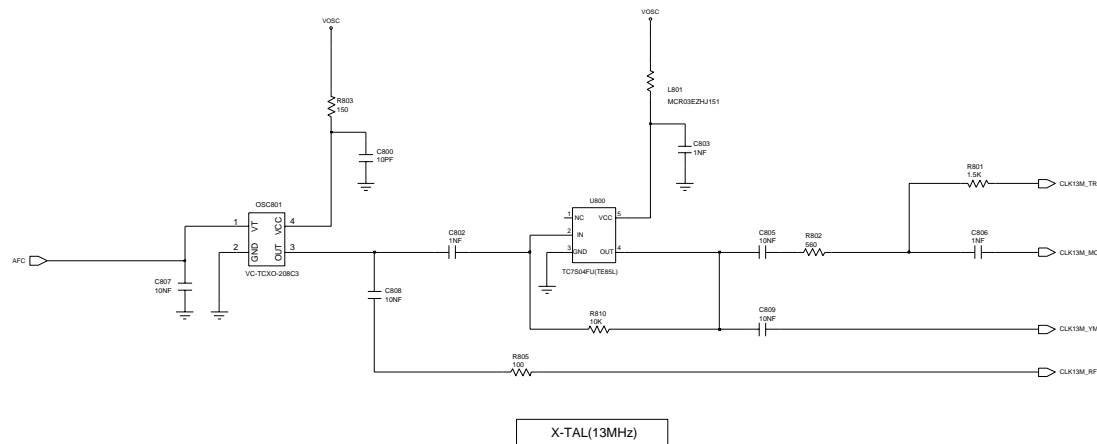
Engineer SE0YH	COMPANY NAME Address City	S24 A3
Drawn by SE0YH		
REDCCHK	TITLE:	
MEM_CTRLCHK	MFP_REV1.0	
MFG_ENGRCHK		



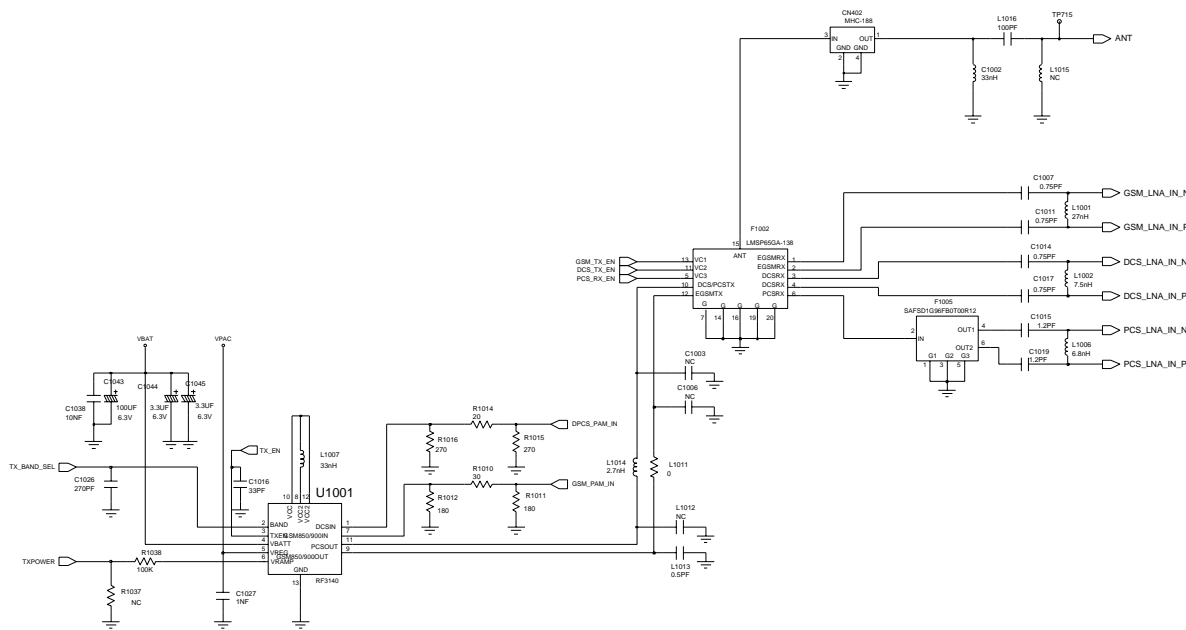
CSP1093

CSP1093CR1-RT10-DT

Engineer SEDVH	COMPANY NAME Address City	SHEET 7 of 10
Drawn by SEDVH		
RECHK		
DOC CTRL CKR	TITLE: MFP_REV1.0	Size A3
MFG ENGR CKR		
Changed by User12	Date Changed 2003.06.13	Time Changed 6:03:21 am
GA CKR	REV 0.1	Drawing Number Sheet 7 of 10



Engineer SEDYH	COMPANY NAME	
Drawn by SEDYH	Address City	
REDCR/K	TITLE:	Size A3
DWG CTRL CRK	MFP_REV1.0	
MFG ENGR CRK		



TRANSMITTER & RECEIVER

Engineer SDYH Drawn by SDYH RECD CHK DDC CTRL CHK MFG ENGR CHK	<p style="text-align: center;">COMPANY NAME</p> Address City <p style="text-align: center;">MFP_REV1.0</p>
REV 0.1	Drawing Number 10 of 10



