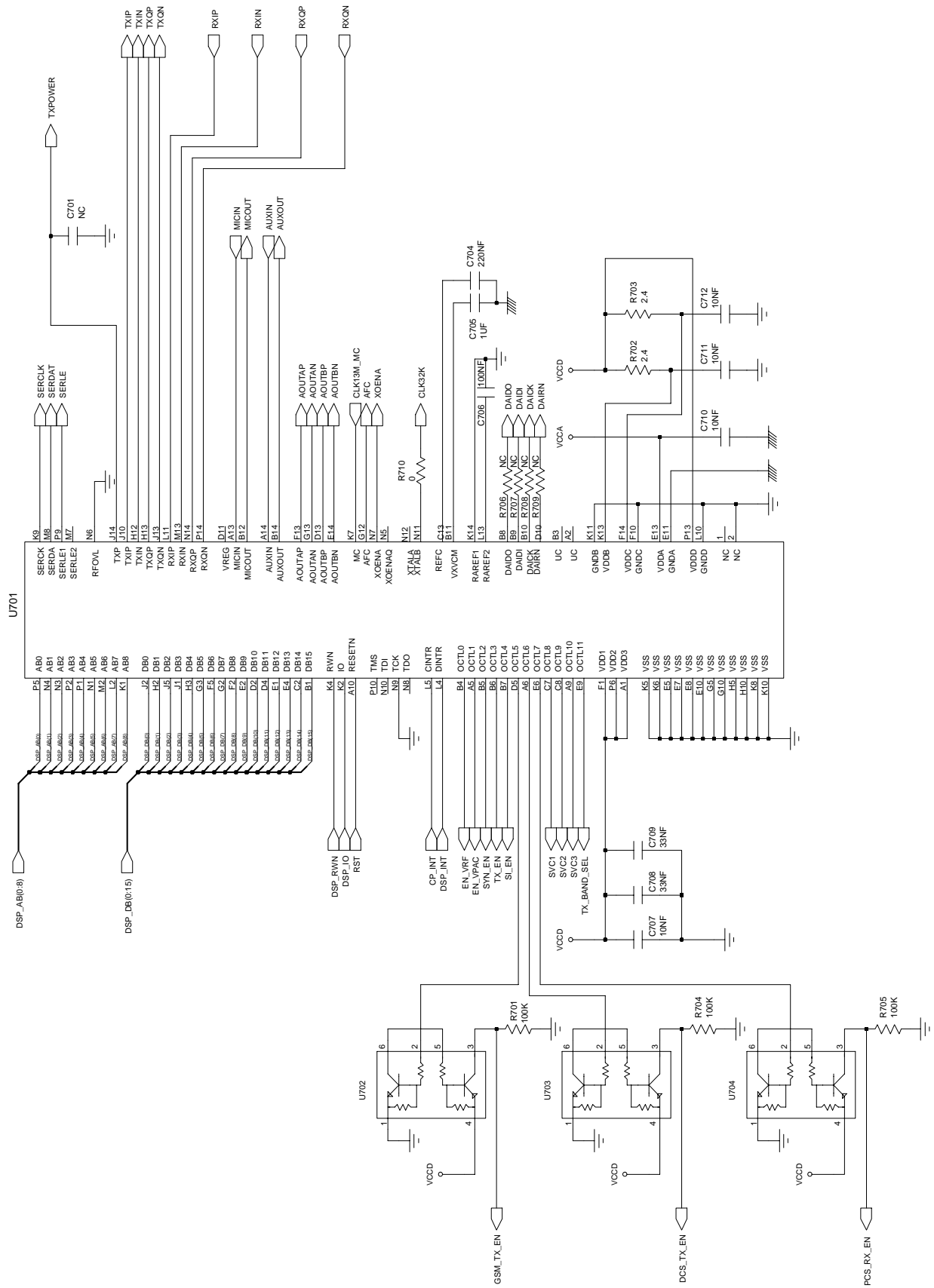
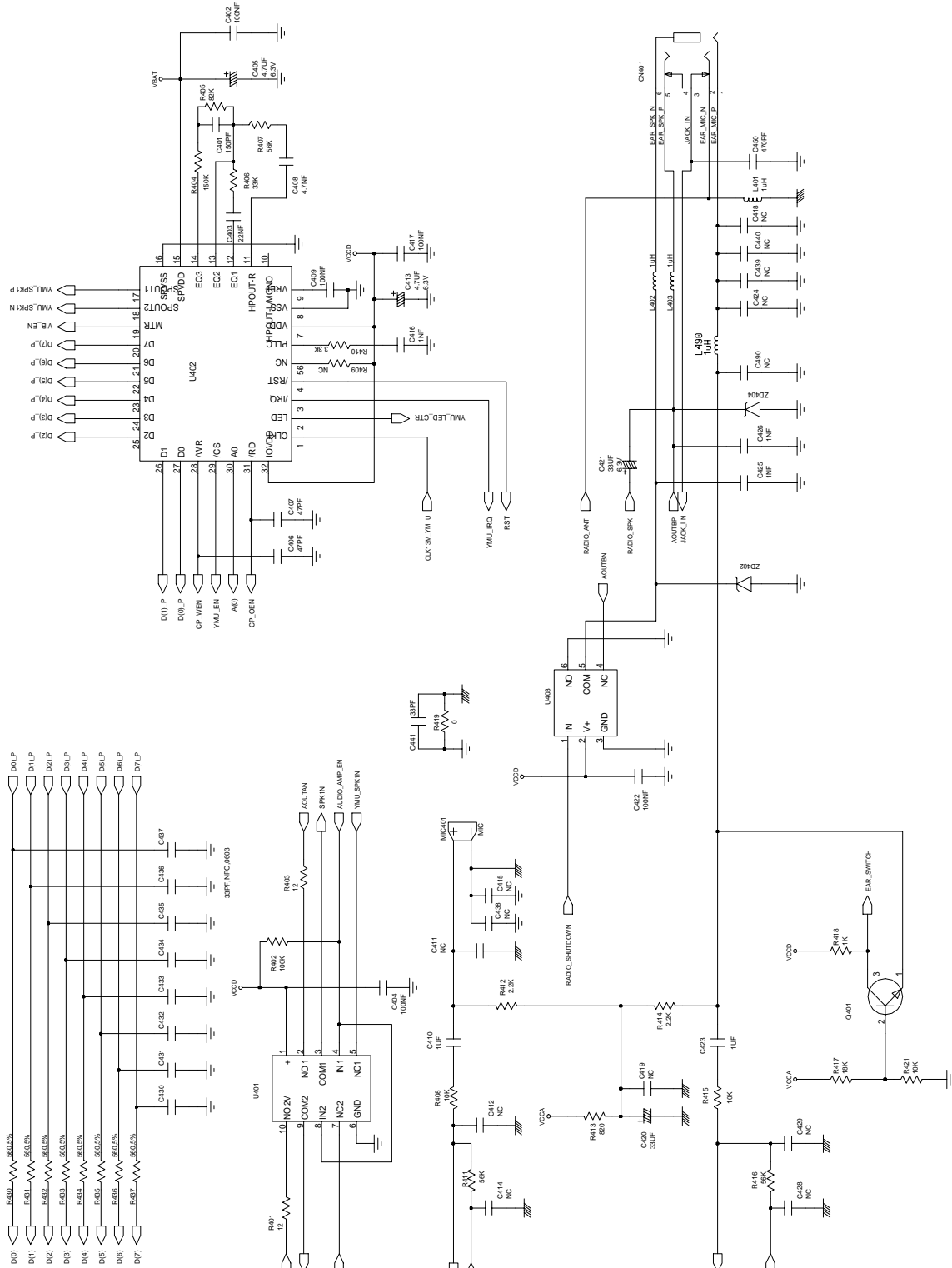
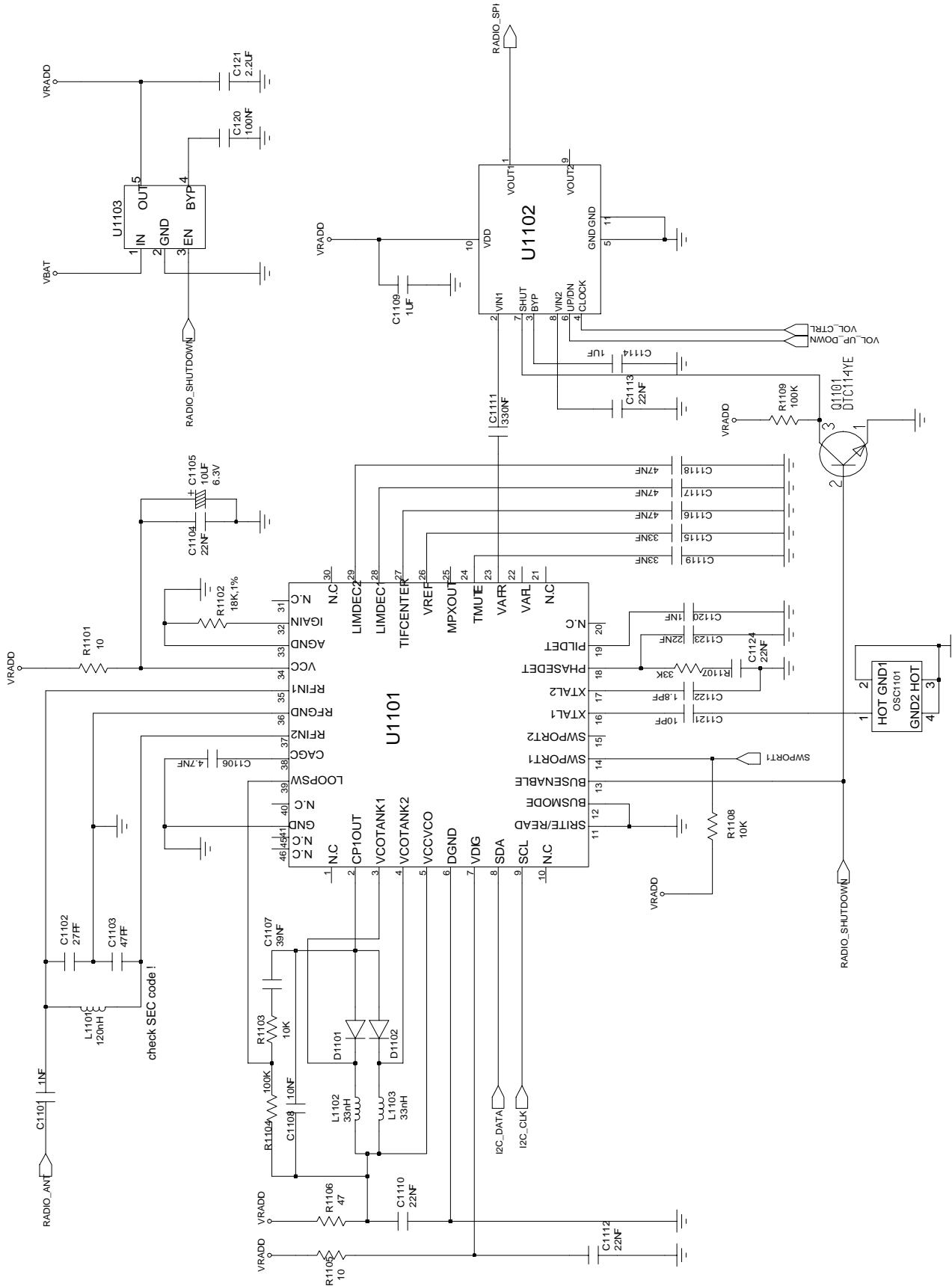
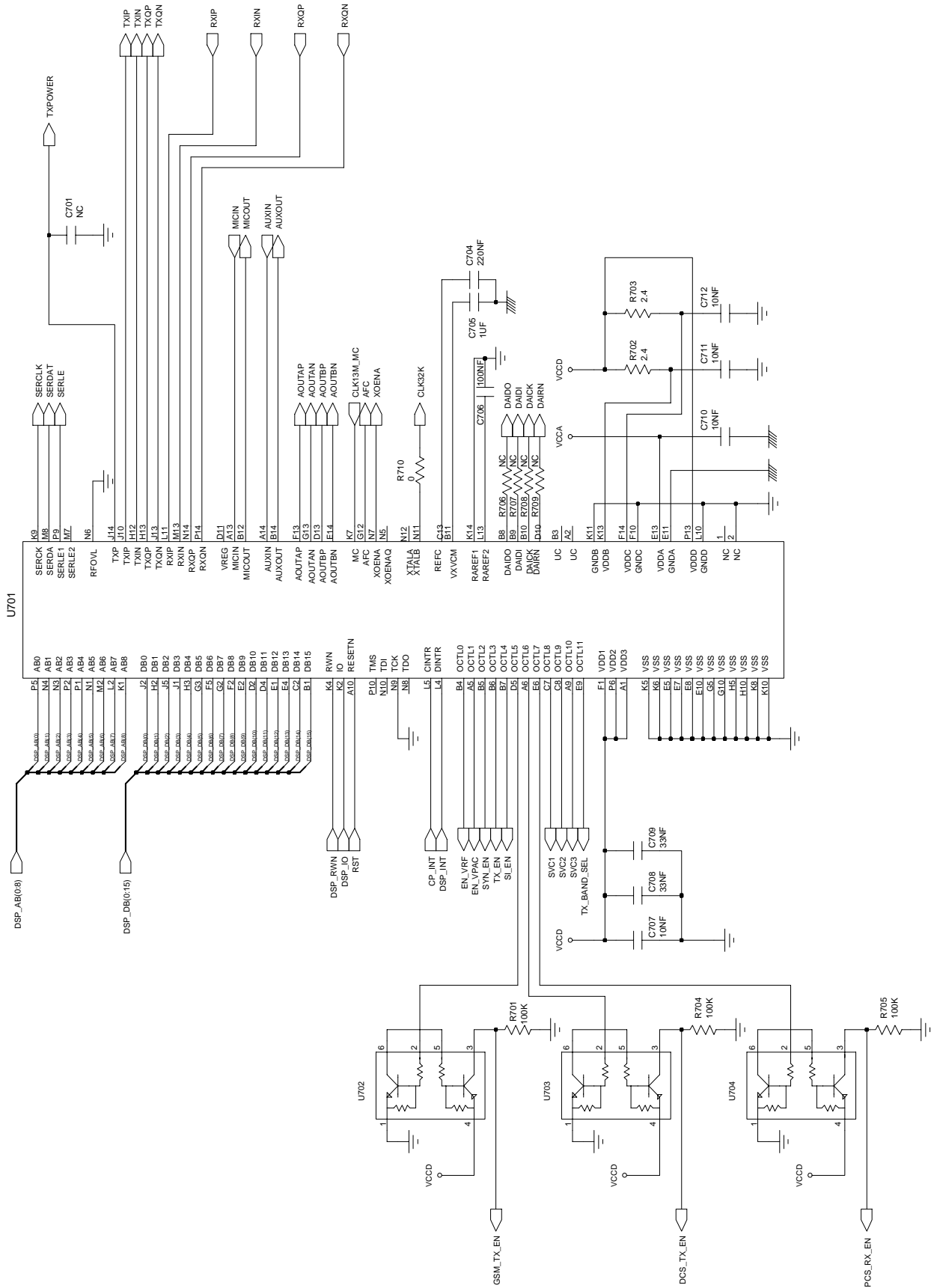


SGH-X400 Flow Chart of Troubleshooting

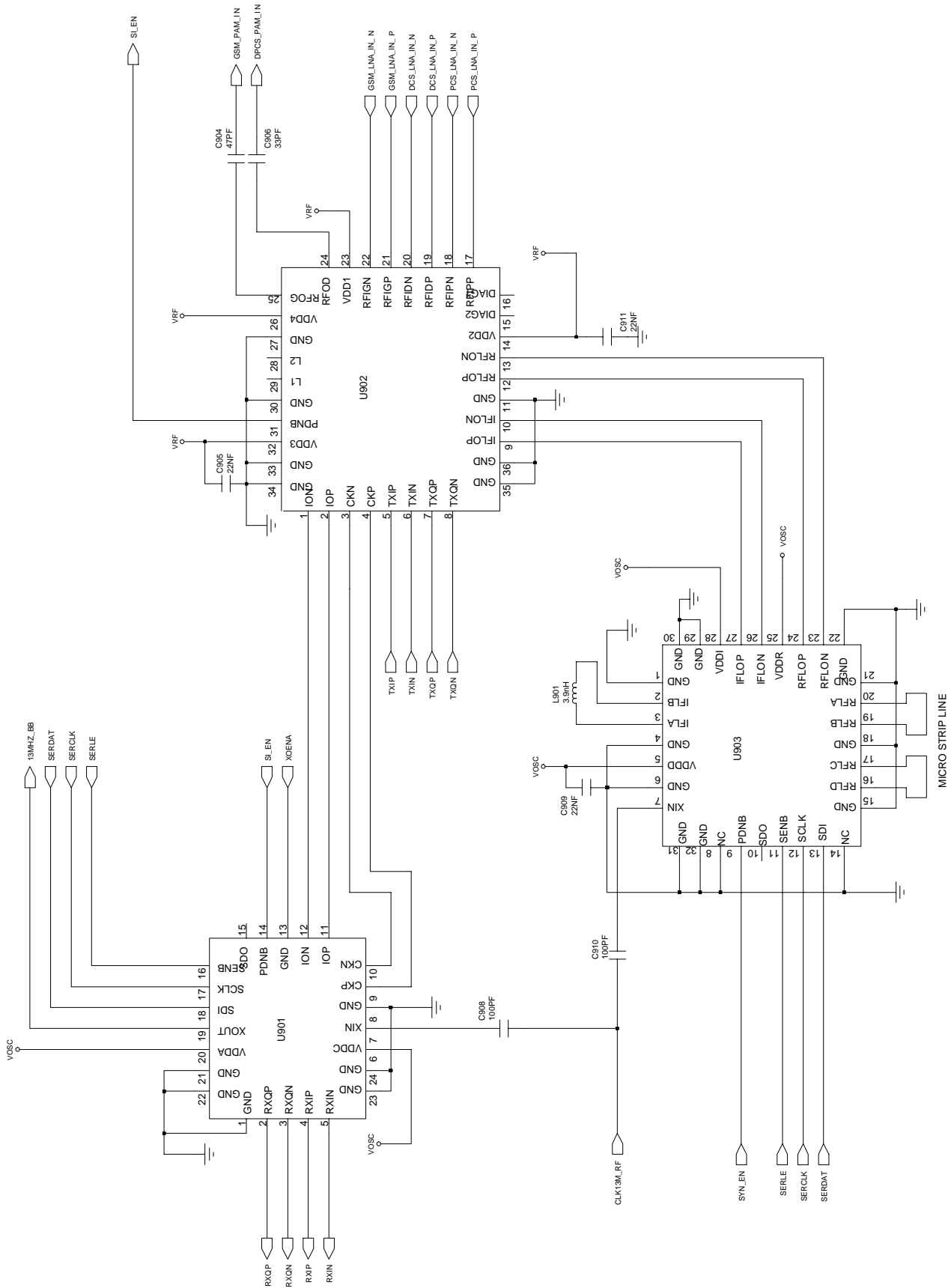


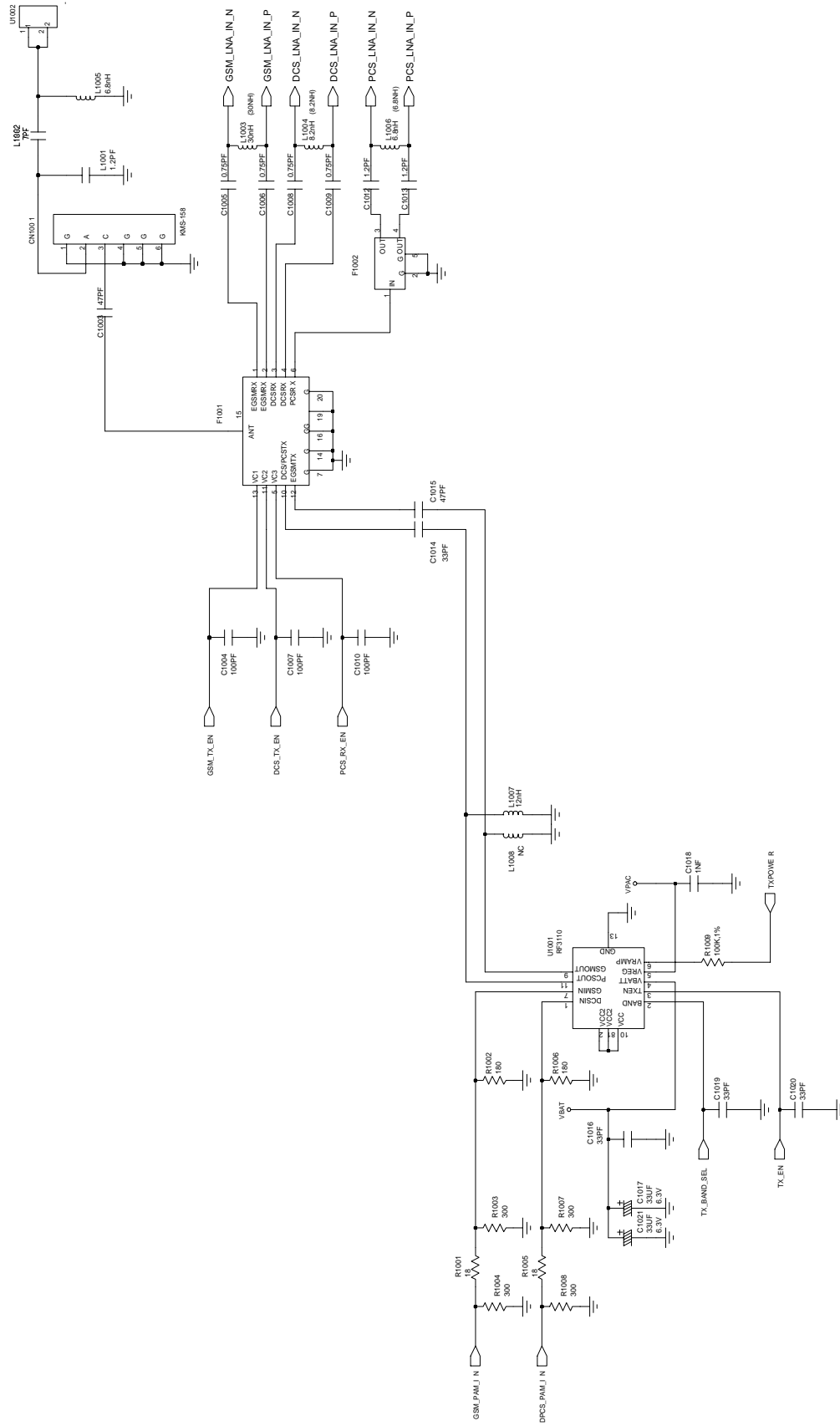






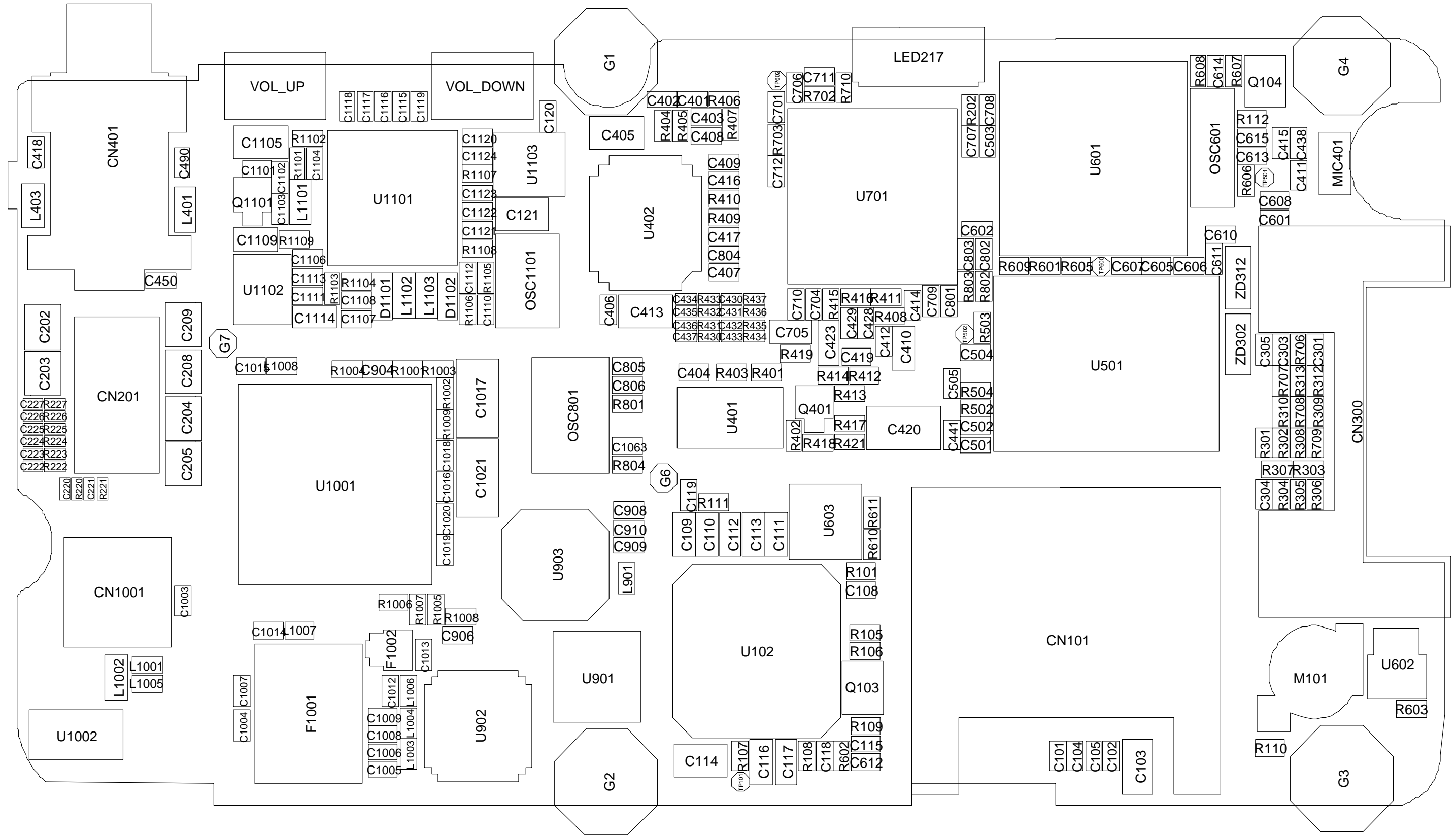
SGH-X400 Flow Chart of Troubleshooting





6. SGH-X400 PCB Diagrams

1. Main PCB Top Diagram



2. Main PCB Bottom Diagram

