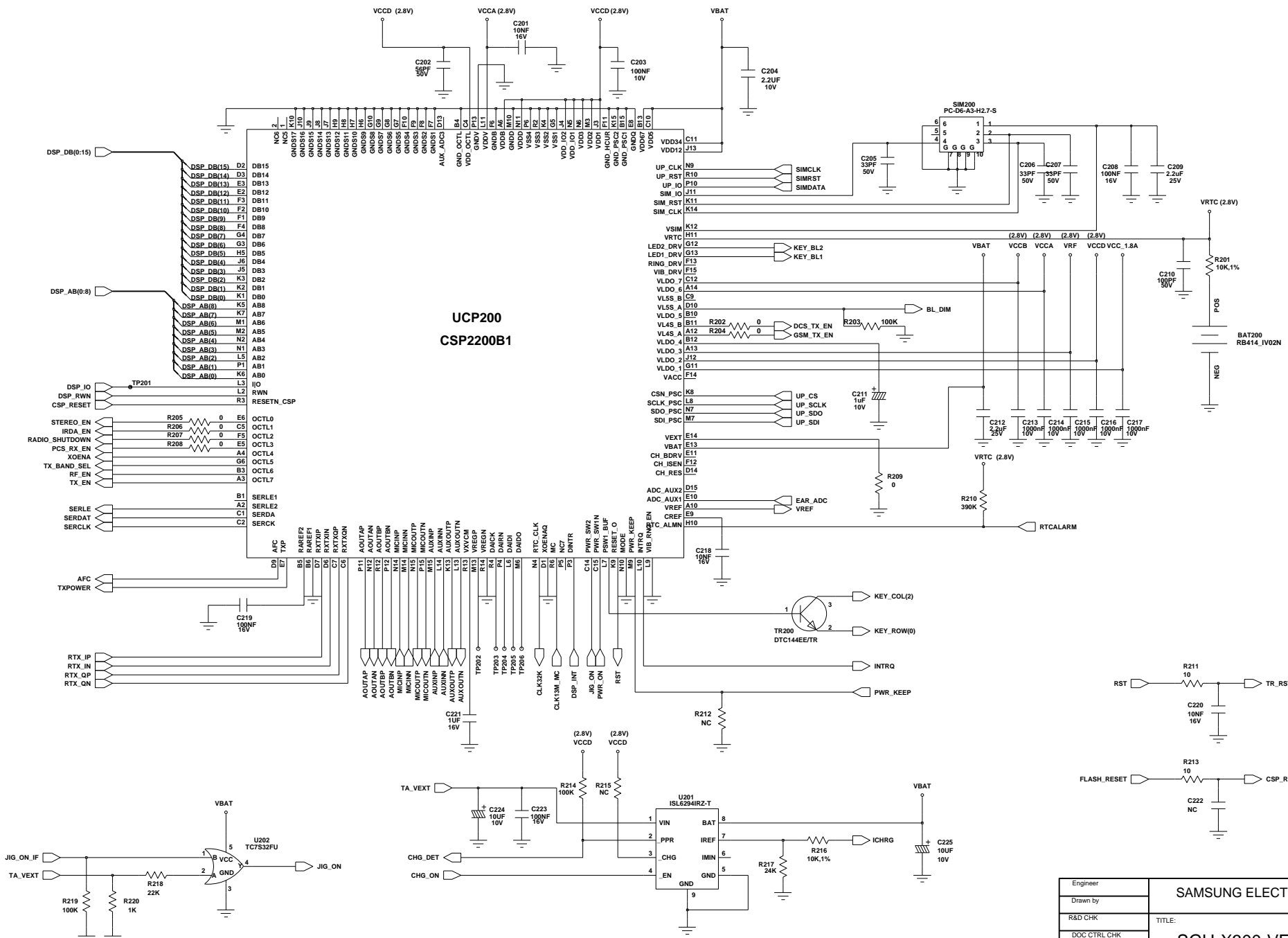
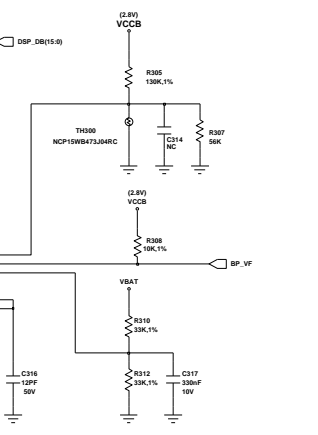
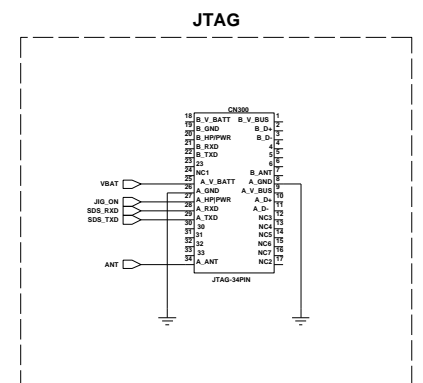
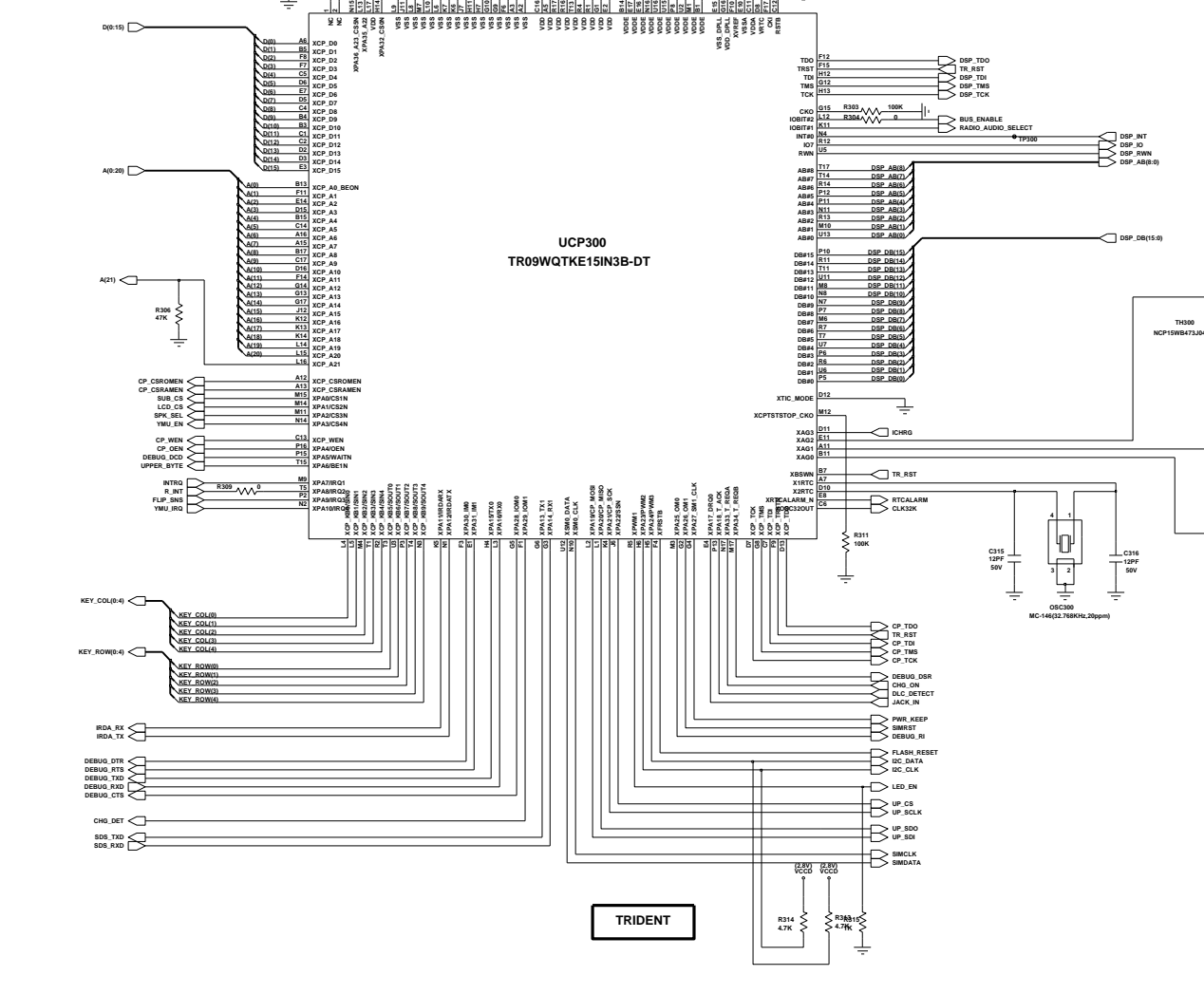
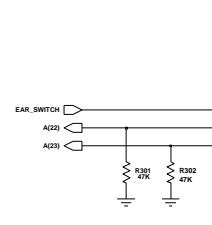
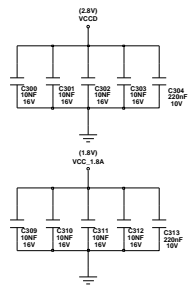


	VC1	VC2	VC3
EGSM TX	H	L	L
DCS/PCS TX	L	H	L
PCS_RX	L	L	H

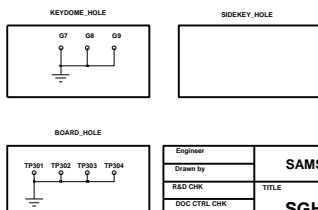
Engineer	<b>SAMSUNG ELECTRONICS</b>		Size A3	
Drawn by				
R&D CHK				TITLE:
DOC CTRL CHK				<b>SGH-X300-VESTA</b>
MFG ENGR CHK				



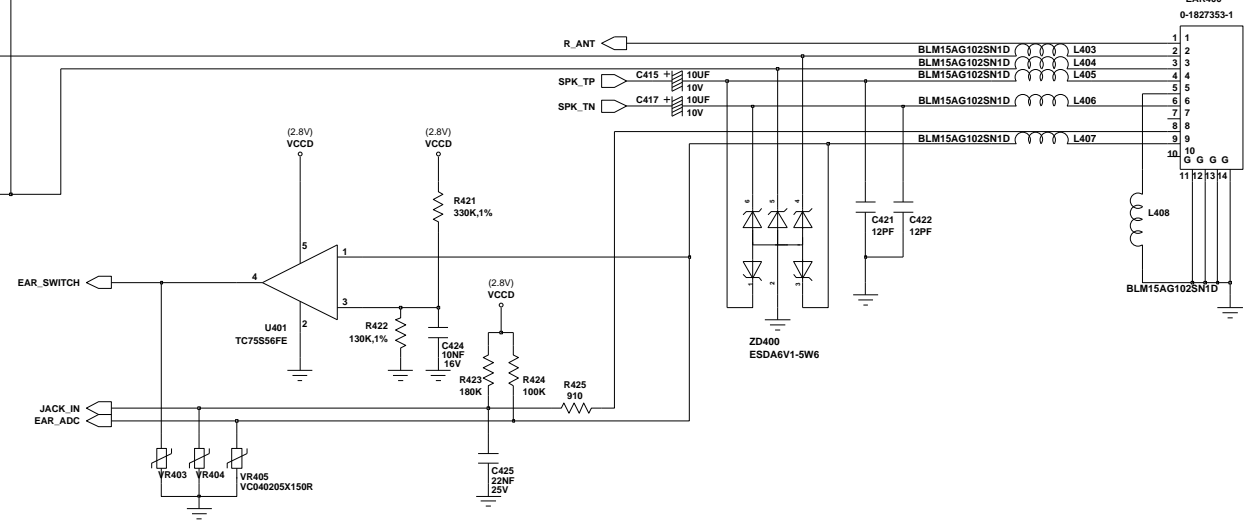
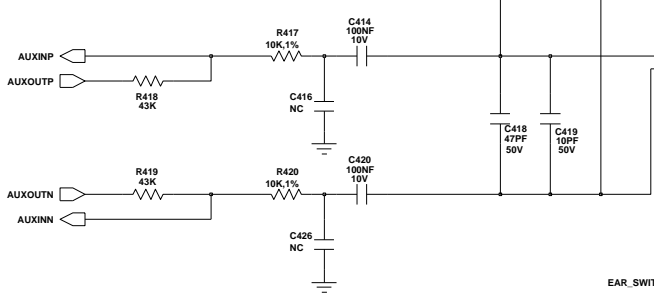
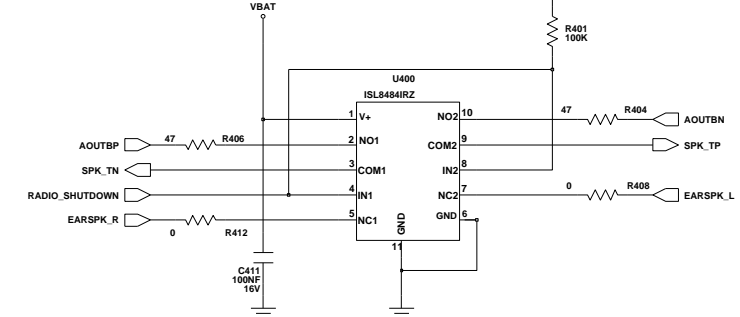
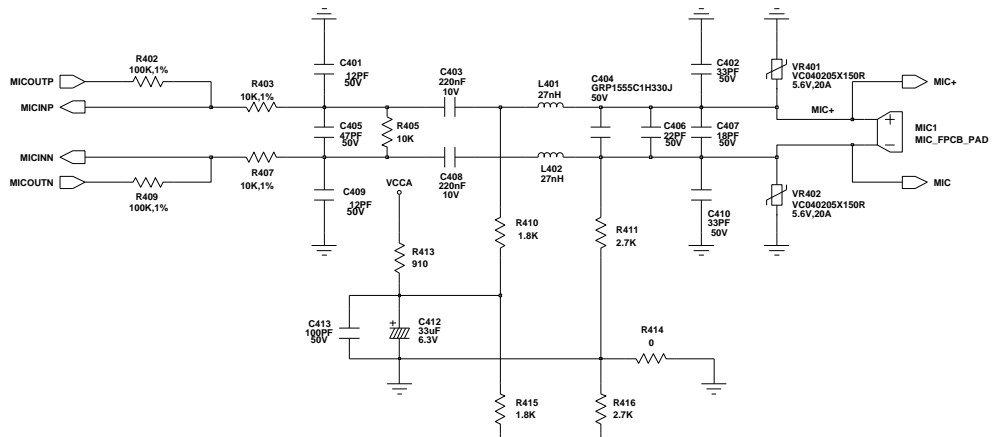
Engineer	SAMSUNG ELECTRONICS	
Drawn by		
R&D CHK	TITLE:	Size A3
DOC CTRL CHK	SGH-X300-VESTA	
MFG ENGR CHK		



TRIDENT



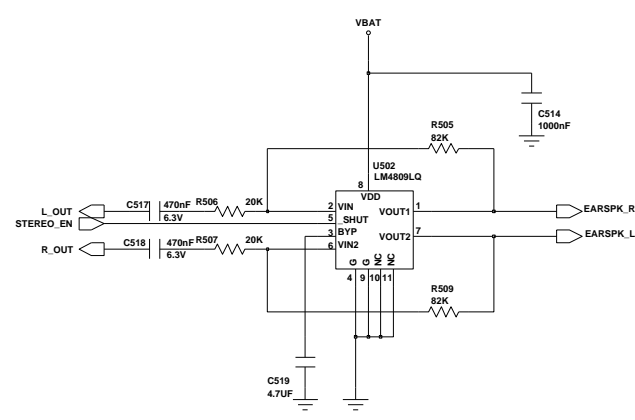
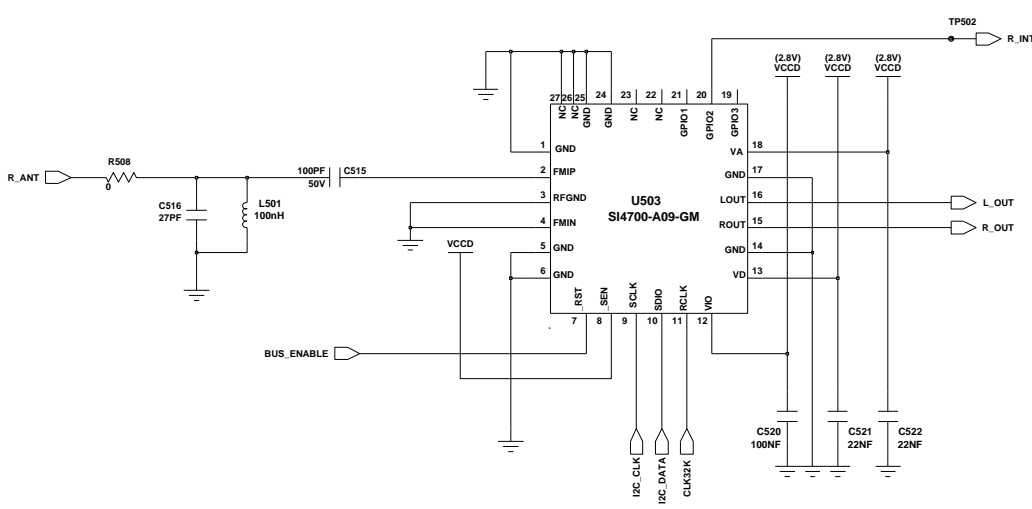
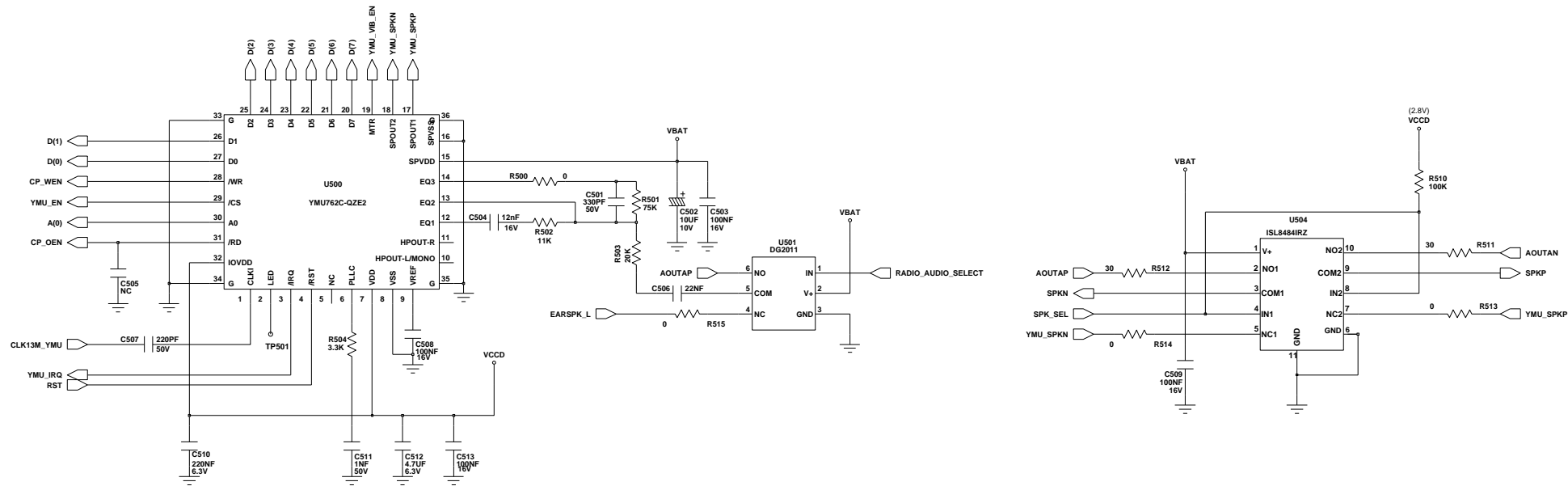
Engineer		<b>SAMSUNG ELECTRONICS</b> TITLE <b>SGH-X300-VESTA</b>	Size A3
Drawn by			
RAO CHK			
DDC CTRL CHK			
MPG ENGR CHK		GA CHK REV 1.8 Drawing Number Sheet 3 of 8	



AUDIO

Engineer	SAMSUNG ELECTRONICS	
Drawn by		
R&D CHK	TITLE:	Size A3
DOC CTRL CHK	SGH-X300-VESTA	
MFG ENGR CHK		

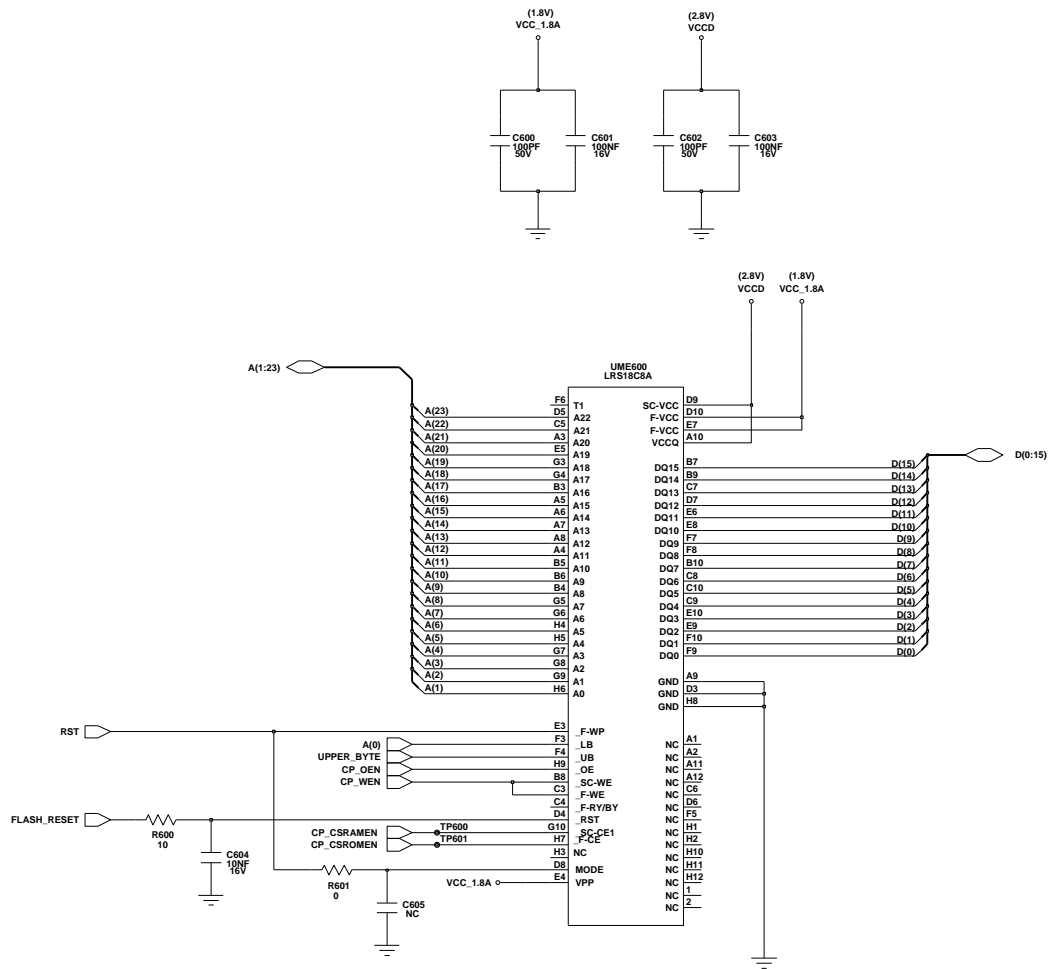
Changed by user8	Date Changed 2005.12.22	Time Changed 3:10:51 pm	QA CHK	REV 1.3	Drawing Number	Sheet 4 of 8
------------------	-------------------------	-------------------------	--------	---------	----------------	--------------



**RADIO**

**FM RADIO**

Engineer	<b>SAMSUNG ELECTRONICS</b>	
Drawn by		
R&D CHK	TITLE:	Size A3
DOC CTRL CHK	<b>SGH-X300-VESTA</b>	
MFG ENGR CHK		

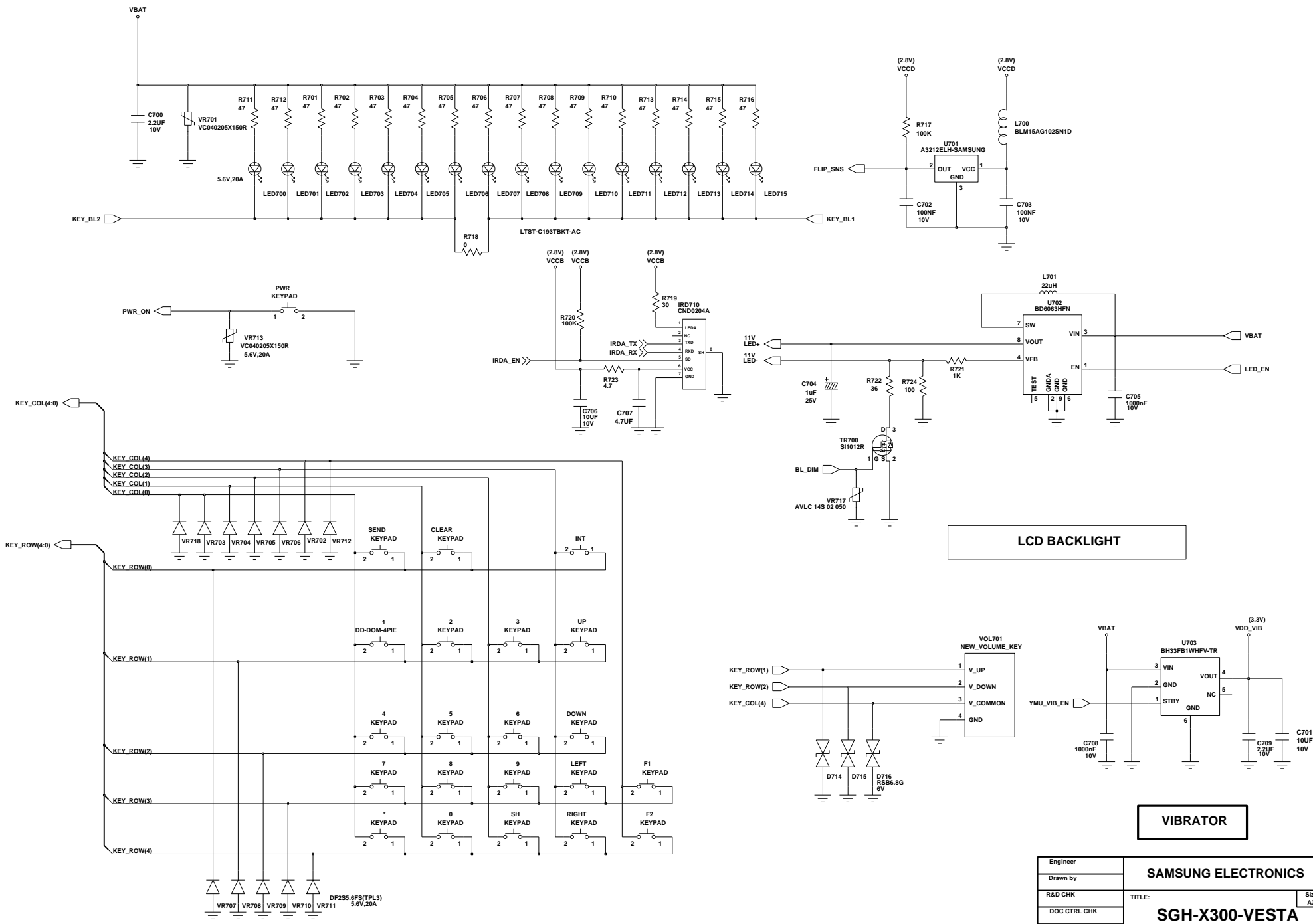


**MEMORY**

Engineer	<b>SAMSUNG ELECTRONICS</b>	
Drawn by		Size A3
R&D CHK	TITLE:	
DOC CTRL CHK	<b>SGH-X300-VESTA</b>	
MFG ENGR CHK		

Changed by user8	Date Changed 2005.12.29	Time Changed 3:11:09 pm	QA CHK	REV 1.3	Drawing Number	Sheet 6 of 8
------------------	-------------------------	-------------------------	--------	---------	----------------	--------------



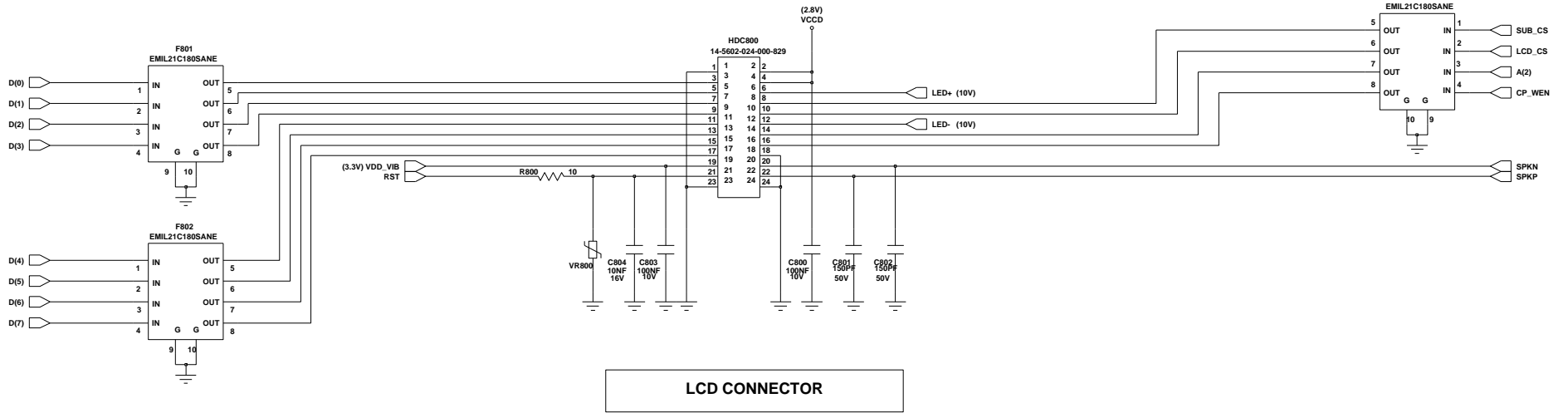


LCD BACKLIGHT

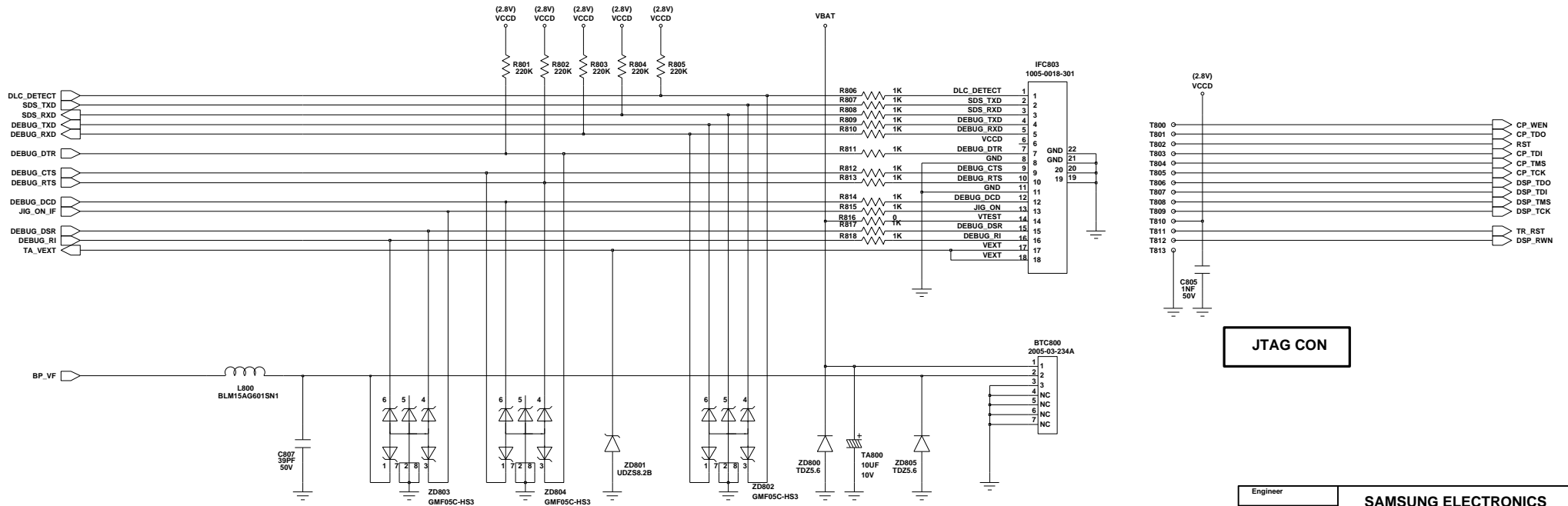
VIBRATOR

Engineer	SAMSUNG ELECTRONICS	
Drawn by		
R&D CHK	TITLE:	Size A3
DOC CTRL CHK	SGH-X300-VESTA	
MFG ENGR CHK		

Changed by user8	Date Changed 2005.12.22	Time Changed 3:12:05 pm	GA CHK	REV 1.9	Drawing Number	Sheet 7 of 8
------------------	-------------------------	-------------------------	--------	---------	----------------	--------------



LCD CONNECTOR



I/F CONNECTOR

JTAG CON

Engineer	SAMSUNG ELECTRONICS	
Drawn by		
R&D CHK	TITLE:	Size A3
DOC CTRL CHK	SGH-X300-VESTA	
MFG ENGR CHK		