

UCP201
TR99WQTK151N3B-0T

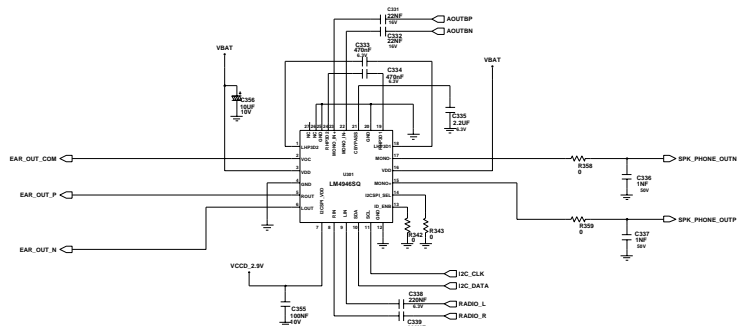
U200
LM60C1M3

U201
AXA9L30125S

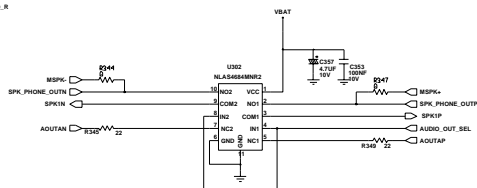
U205
CND024A

Logo	COMPANY NAME
DESIGN	Address
DATE	City
REV. NO.	TITLE
PROJECT CHG.	
WIRING CHG.	

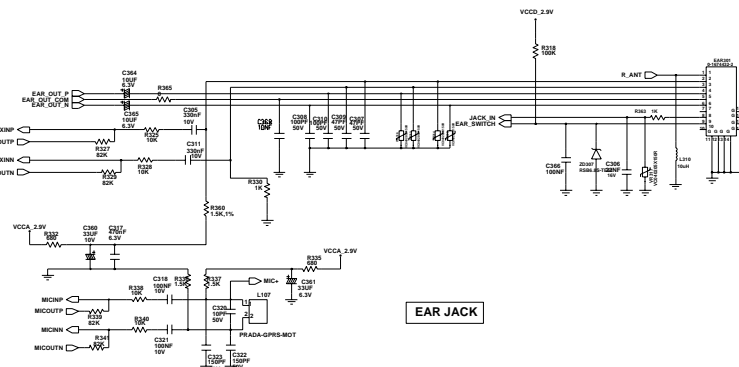
SGH-X210



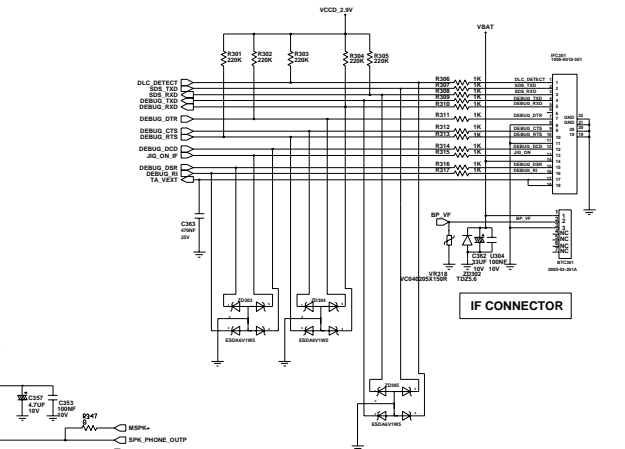
AUDIO AMP



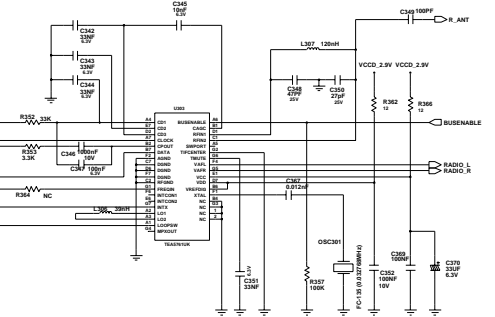
EAR OUT SELECTOR



EAR JACK



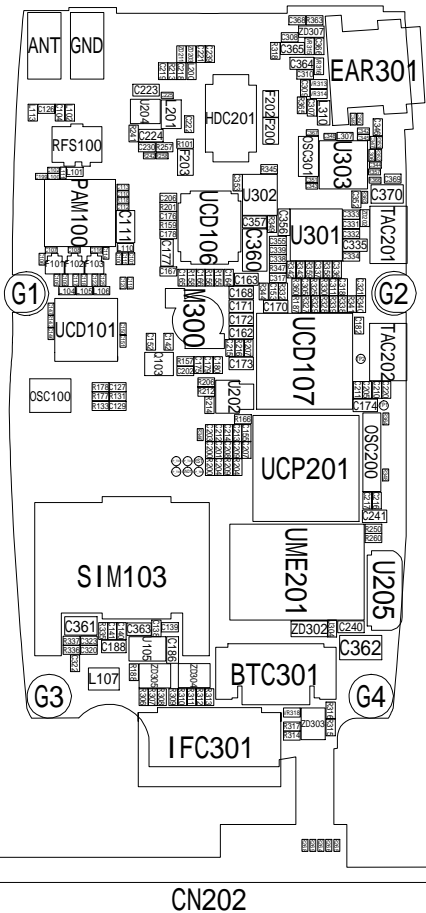
FM RADIO



IF CONNECTOR

COMPANY NAME	
SGH-X210	

SGH-X210 Rev 1.5



SGH-X210 Rev 1.5

