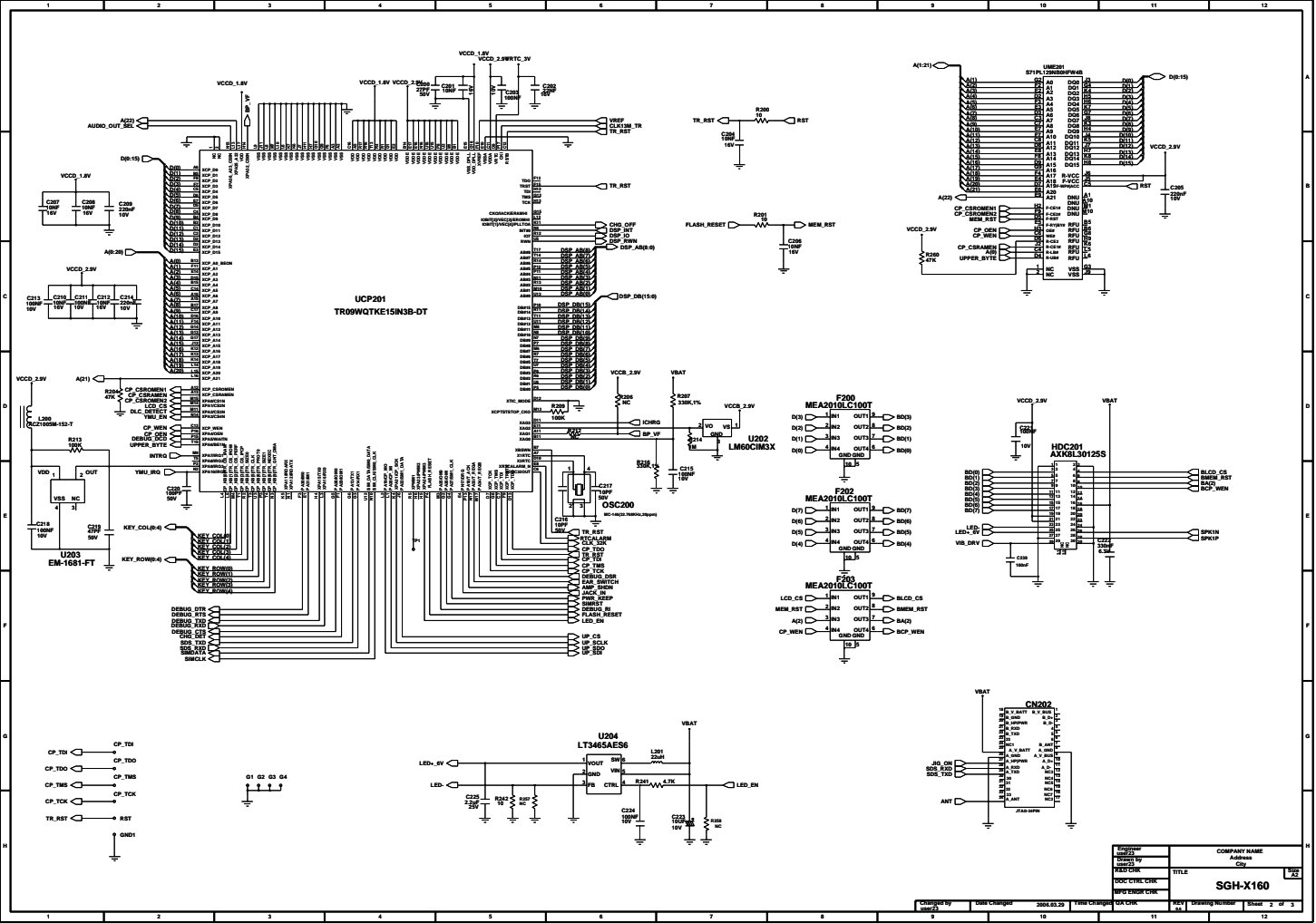
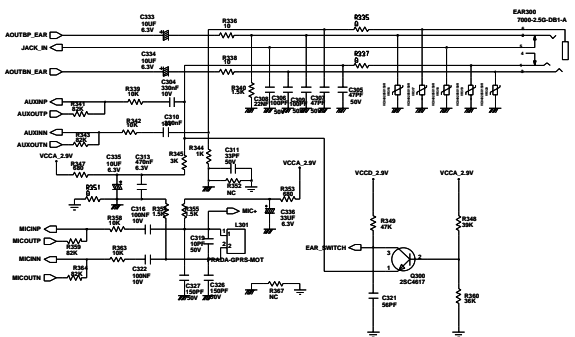
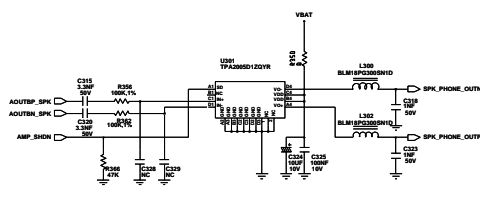
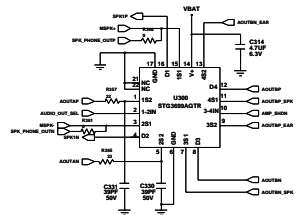
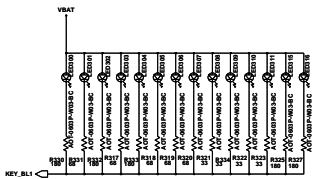
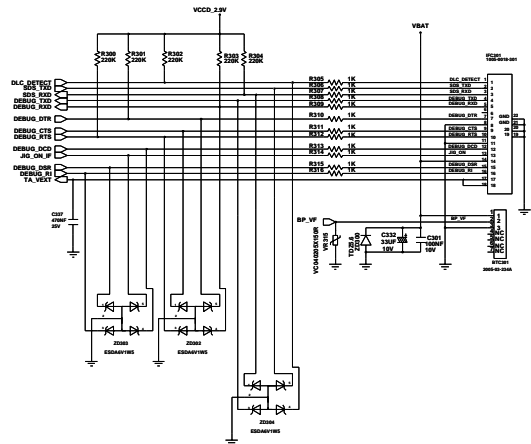
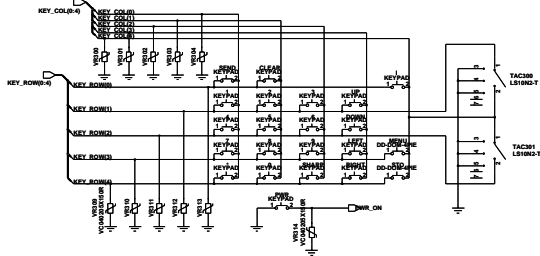


Company Name	SGH-X160
Model	
Revision	
Date	
Author	
Checked	
Approved	



Company Name	SGH-X160
Address	
City	
State	
Country	
Phone	
Fax	
E-Mail	
Website	



Engineer	COMPANY NAME
Checked by	DATE
Tested by	REV
Approved by	DATE
Signature	SGH-X160