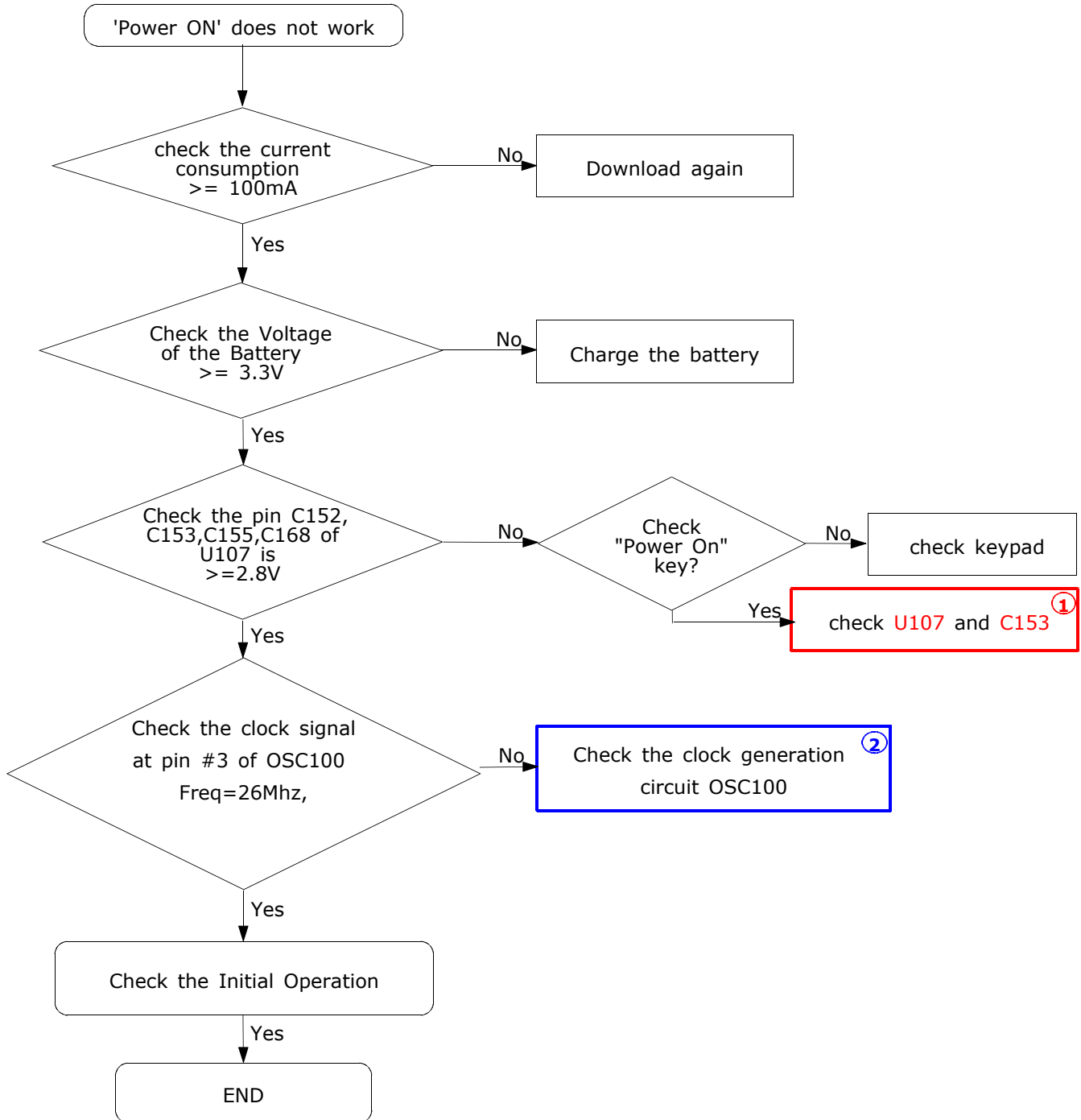
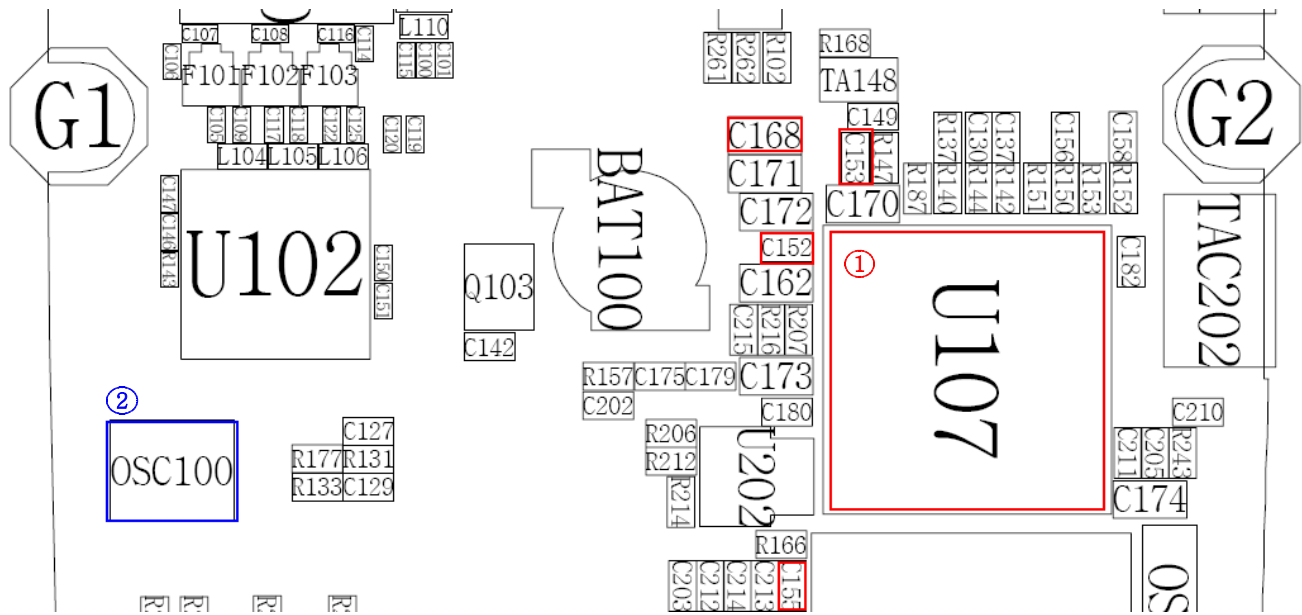
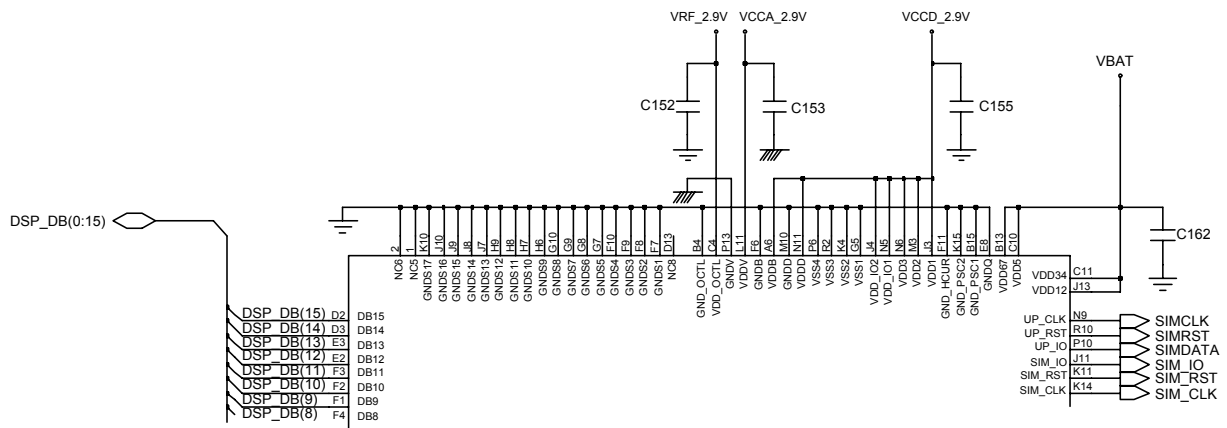


## 2. SGH-X150 Flow Chart of Troubleshooting

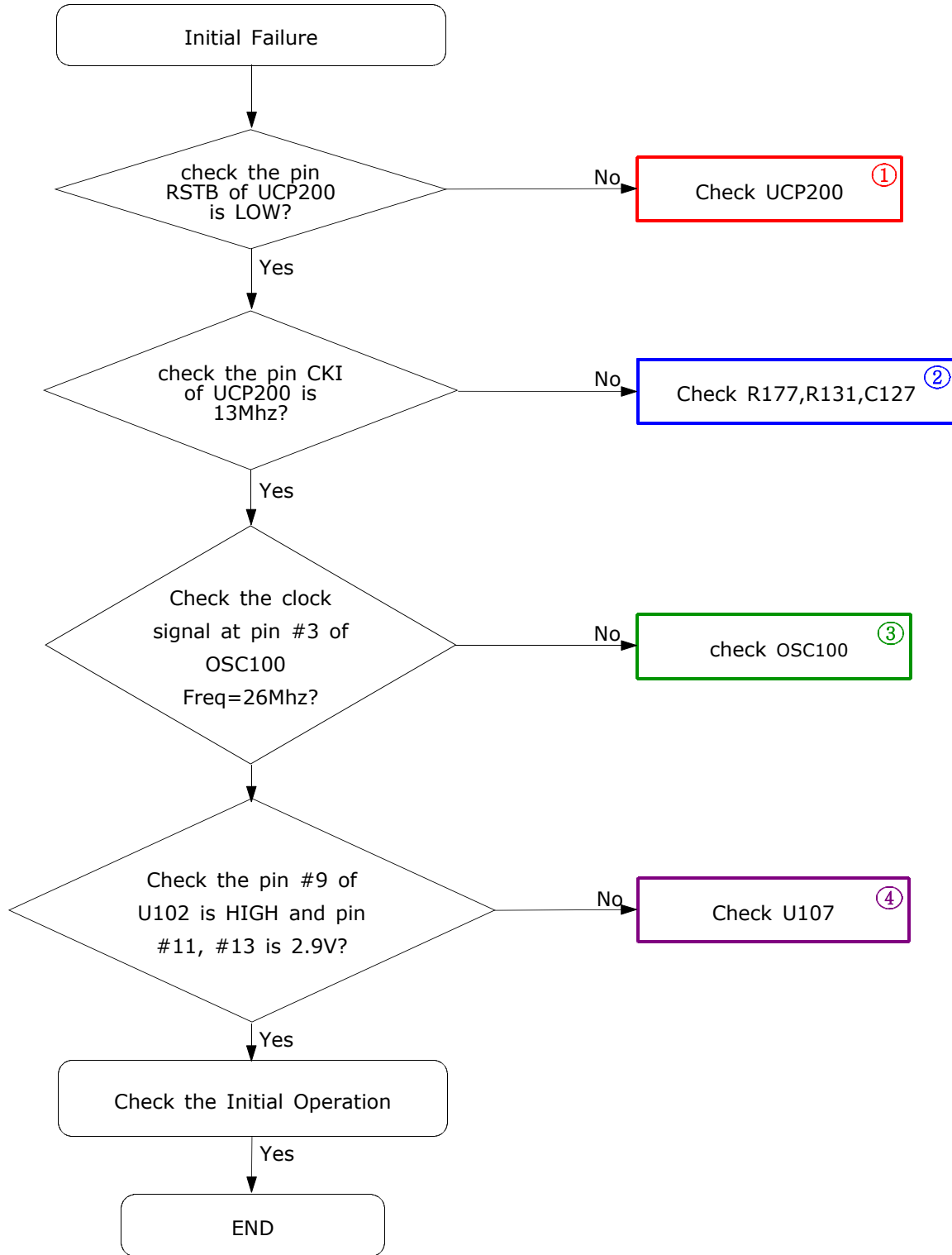
### 2-1. BASEBAND

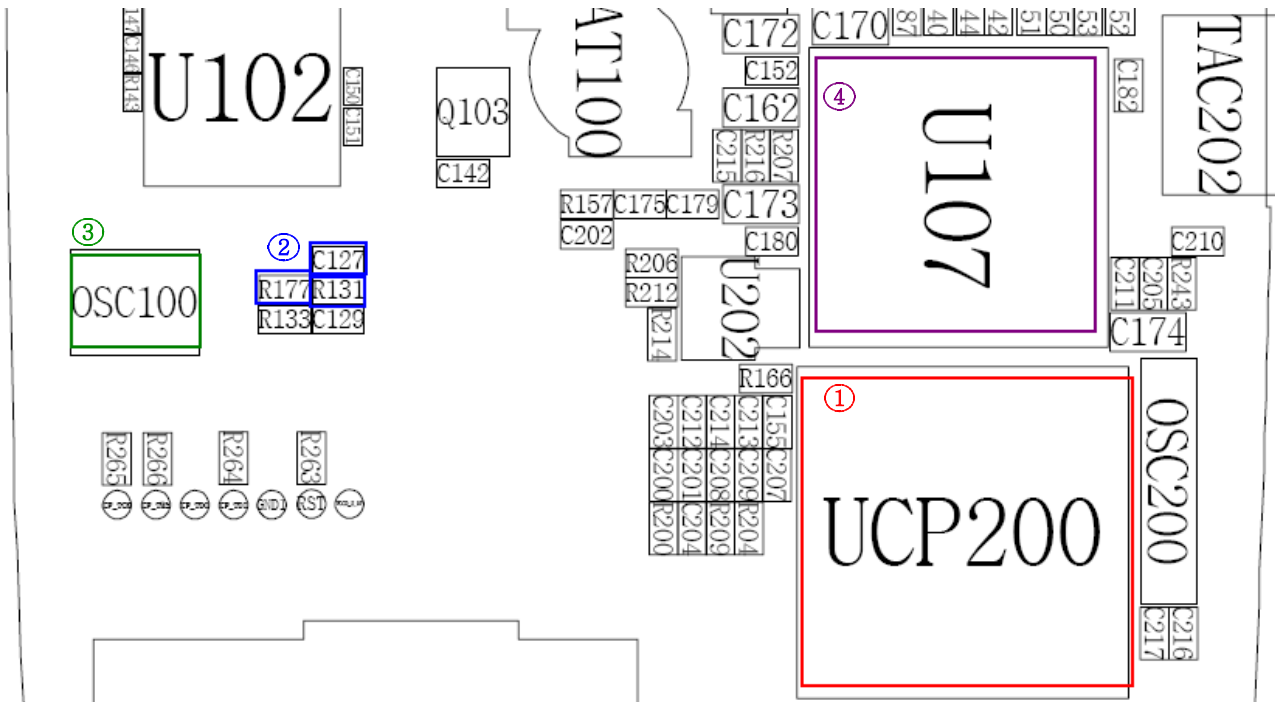
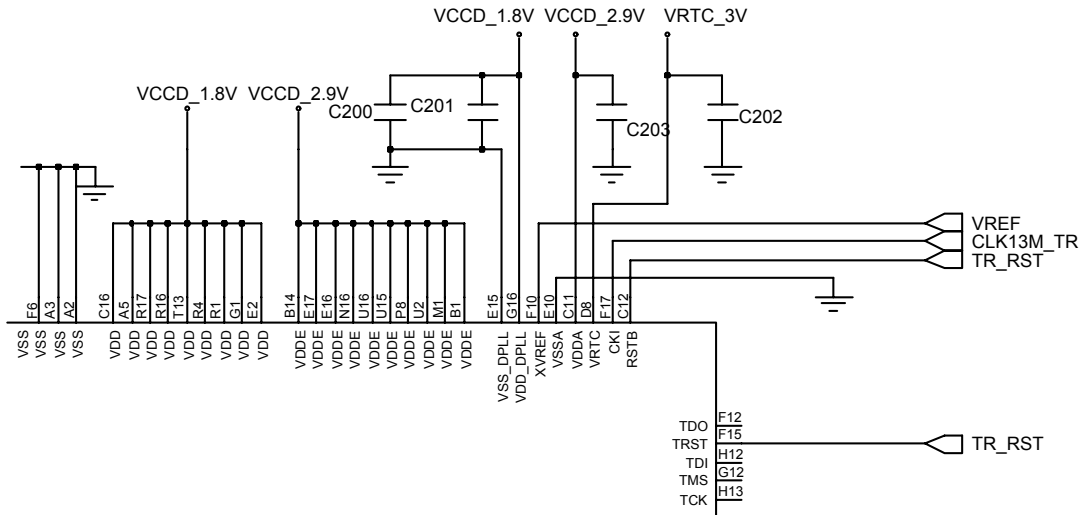
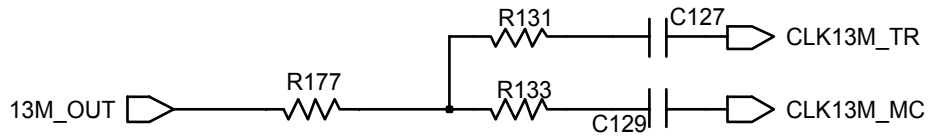
#### 2-1-1. Power ON



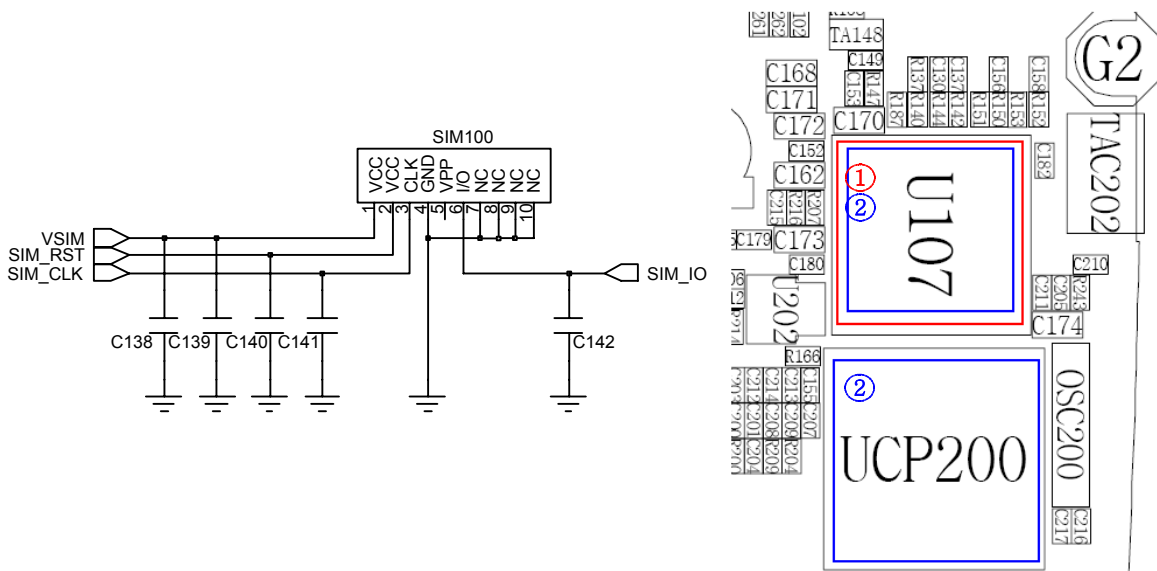
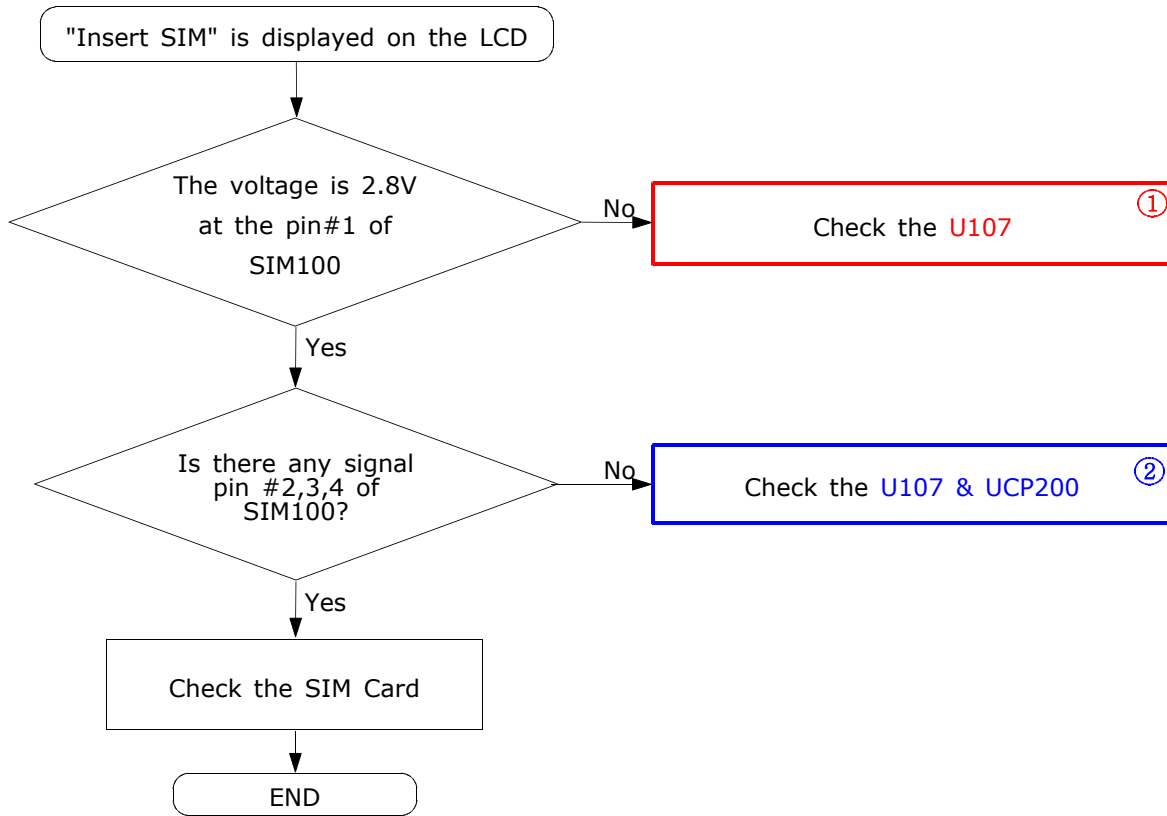


**2-1-2. Initial**



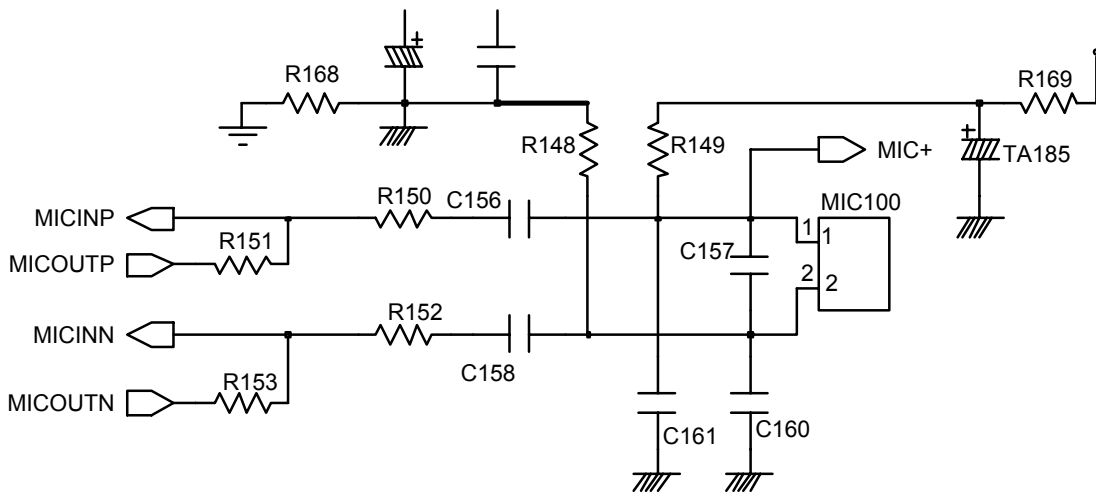
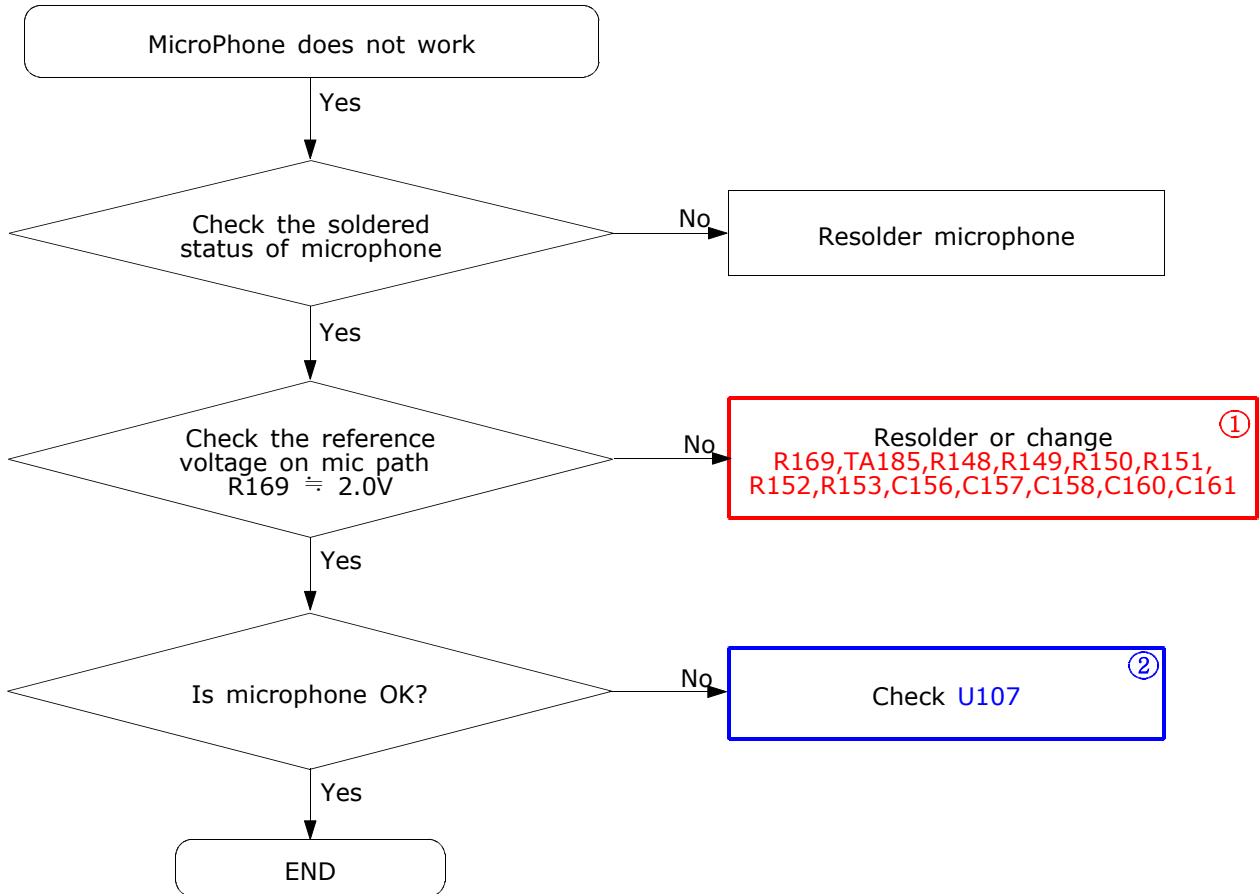


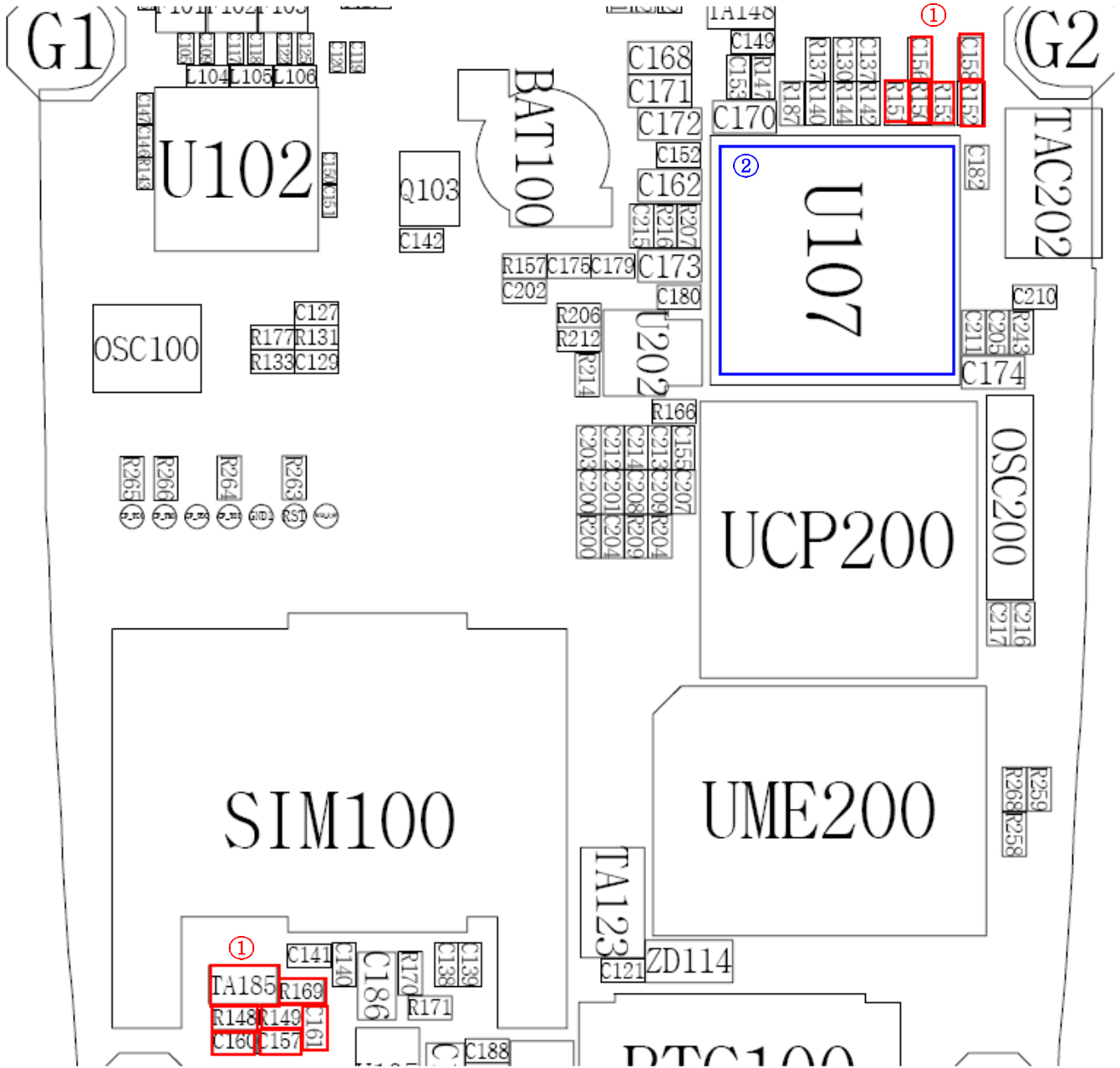
### 2-1-3. Sim Part



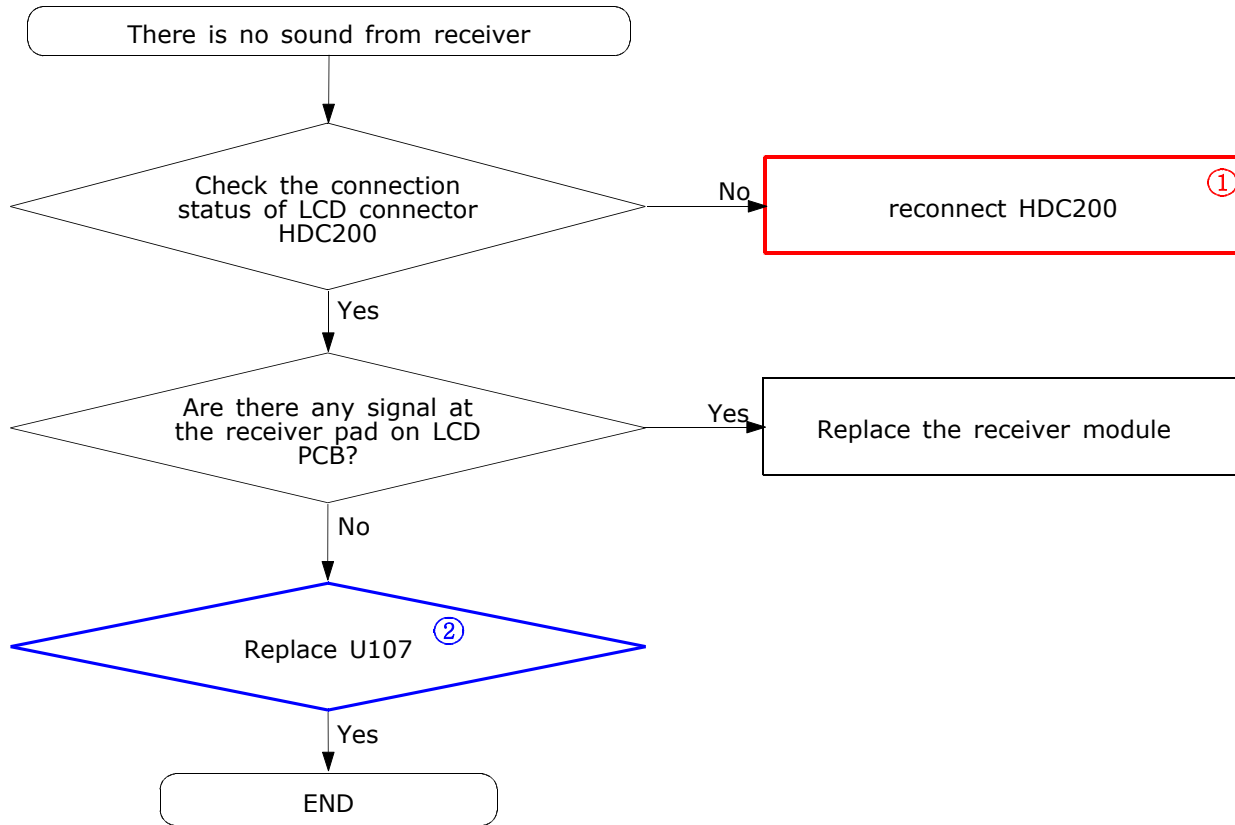
### 2-1-4. Microphone Part

\* Call with Sim before testing.

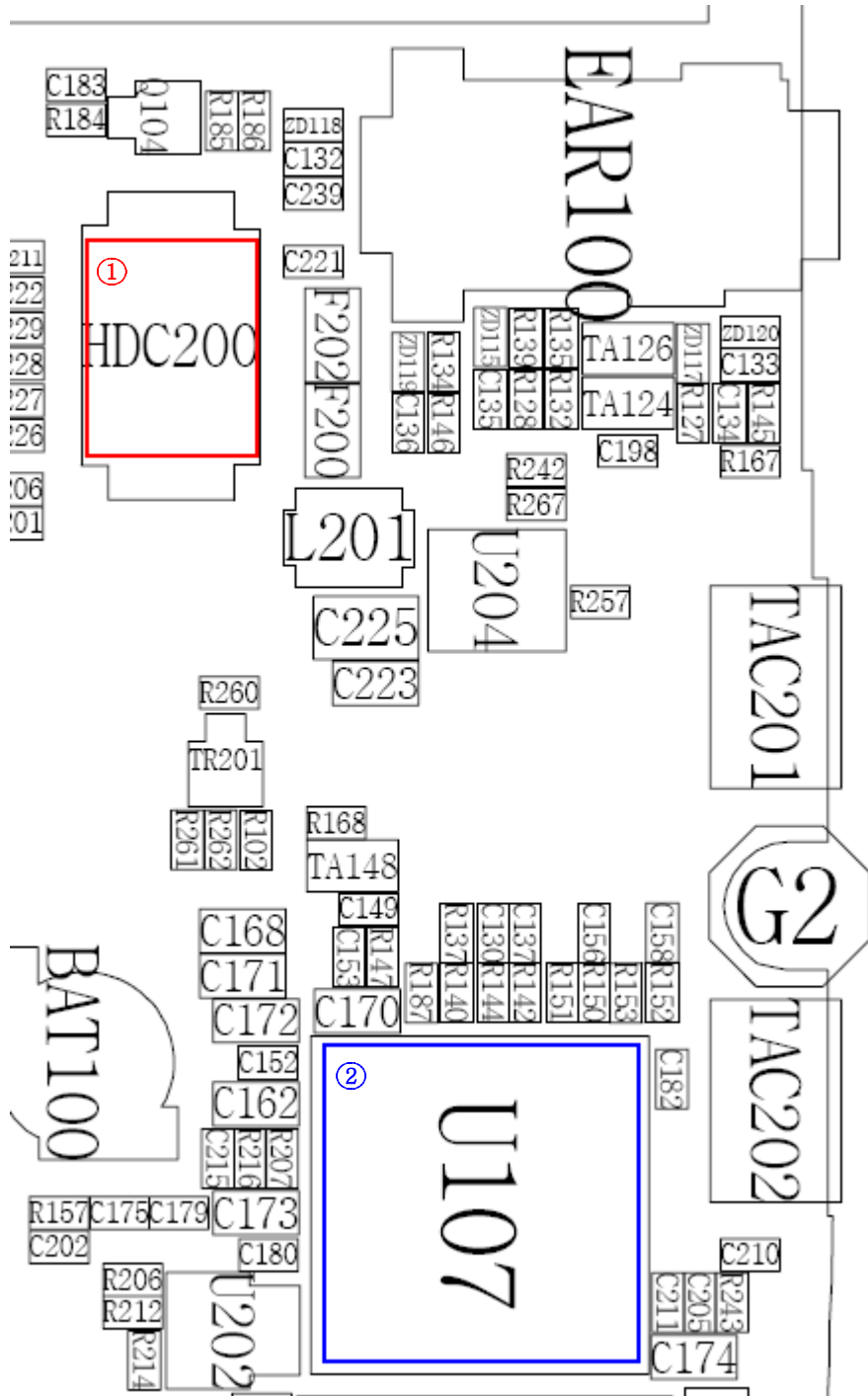




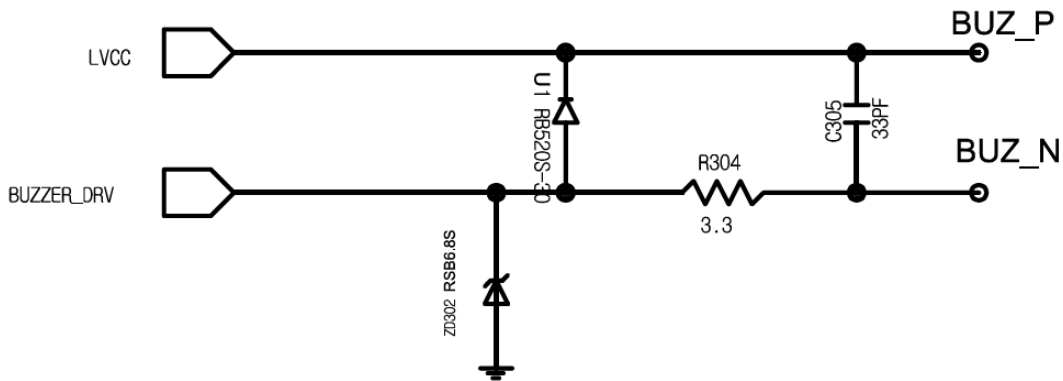
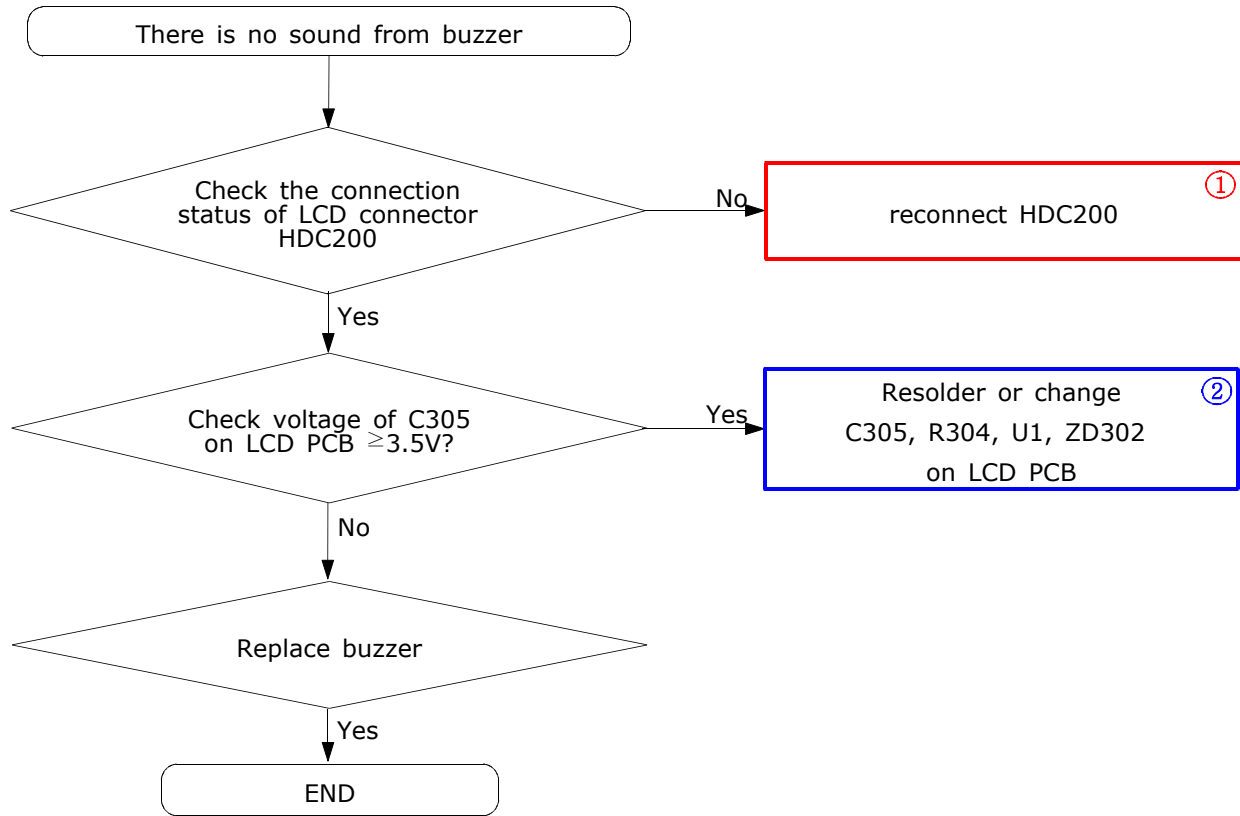
### 2-1-5. Receiver Part

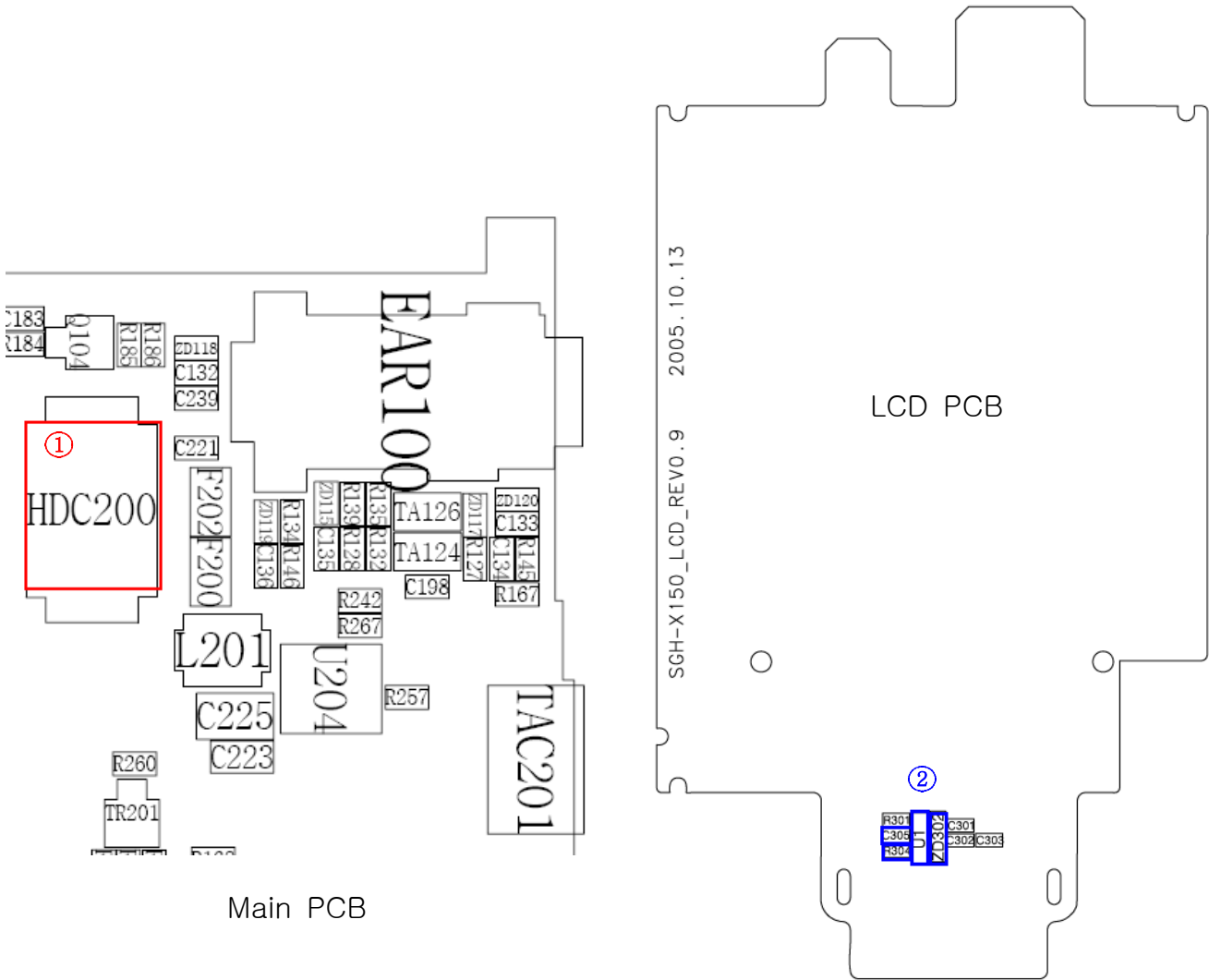




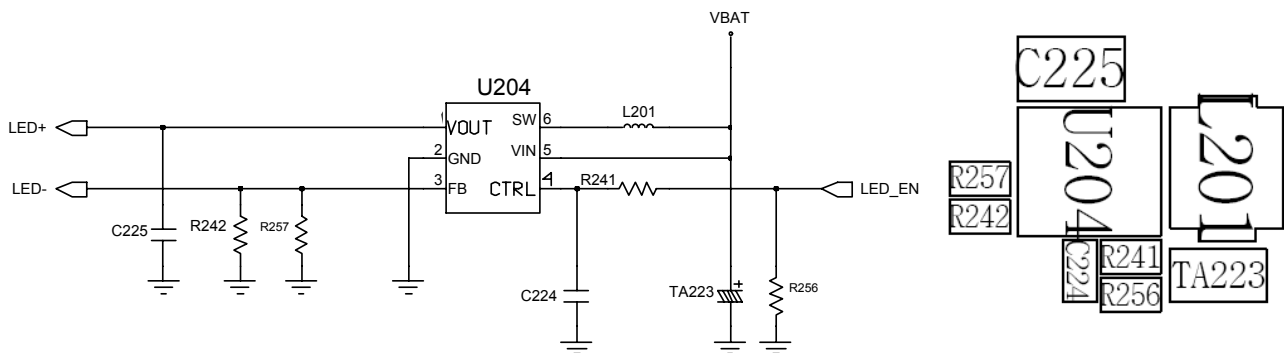
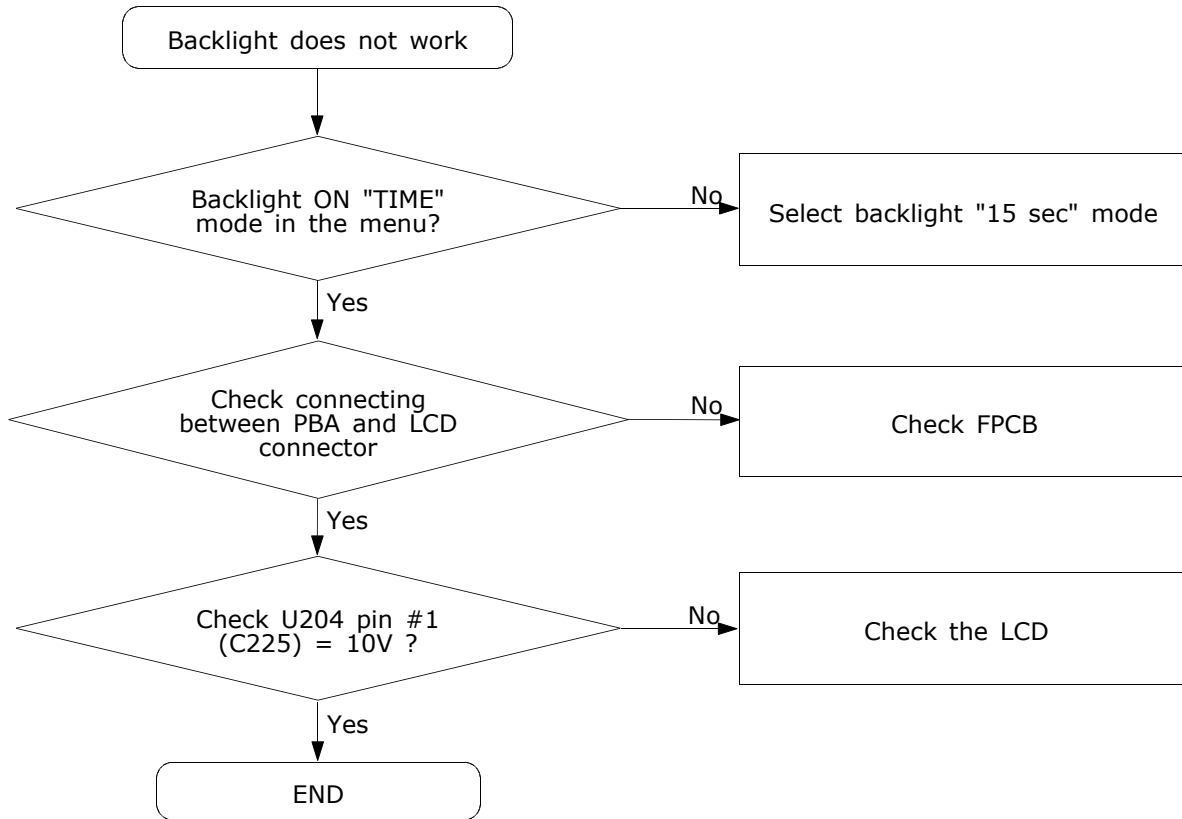


### 2-1-6. Buzzer Part



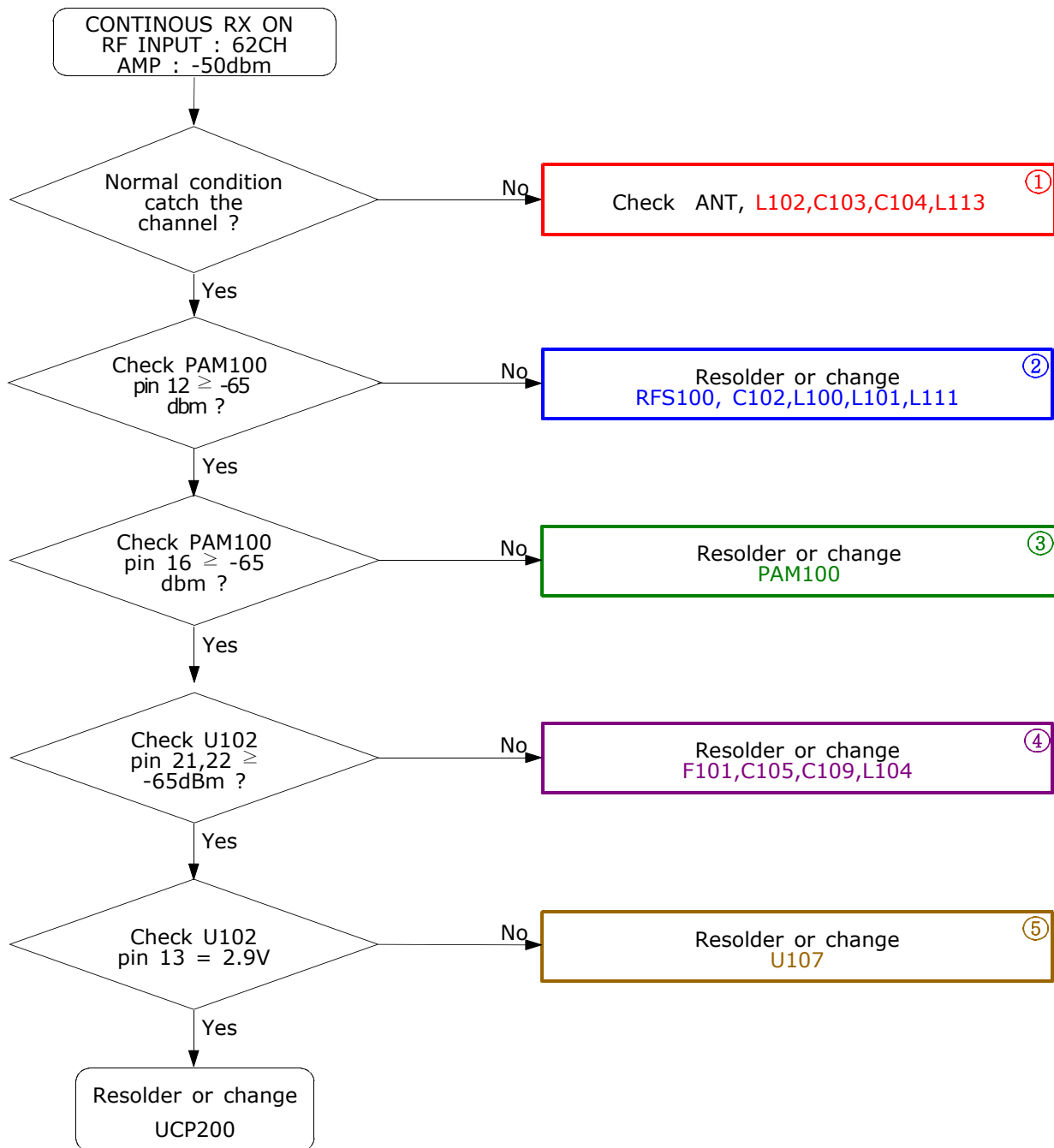


### 2-1-7. LCD backlight



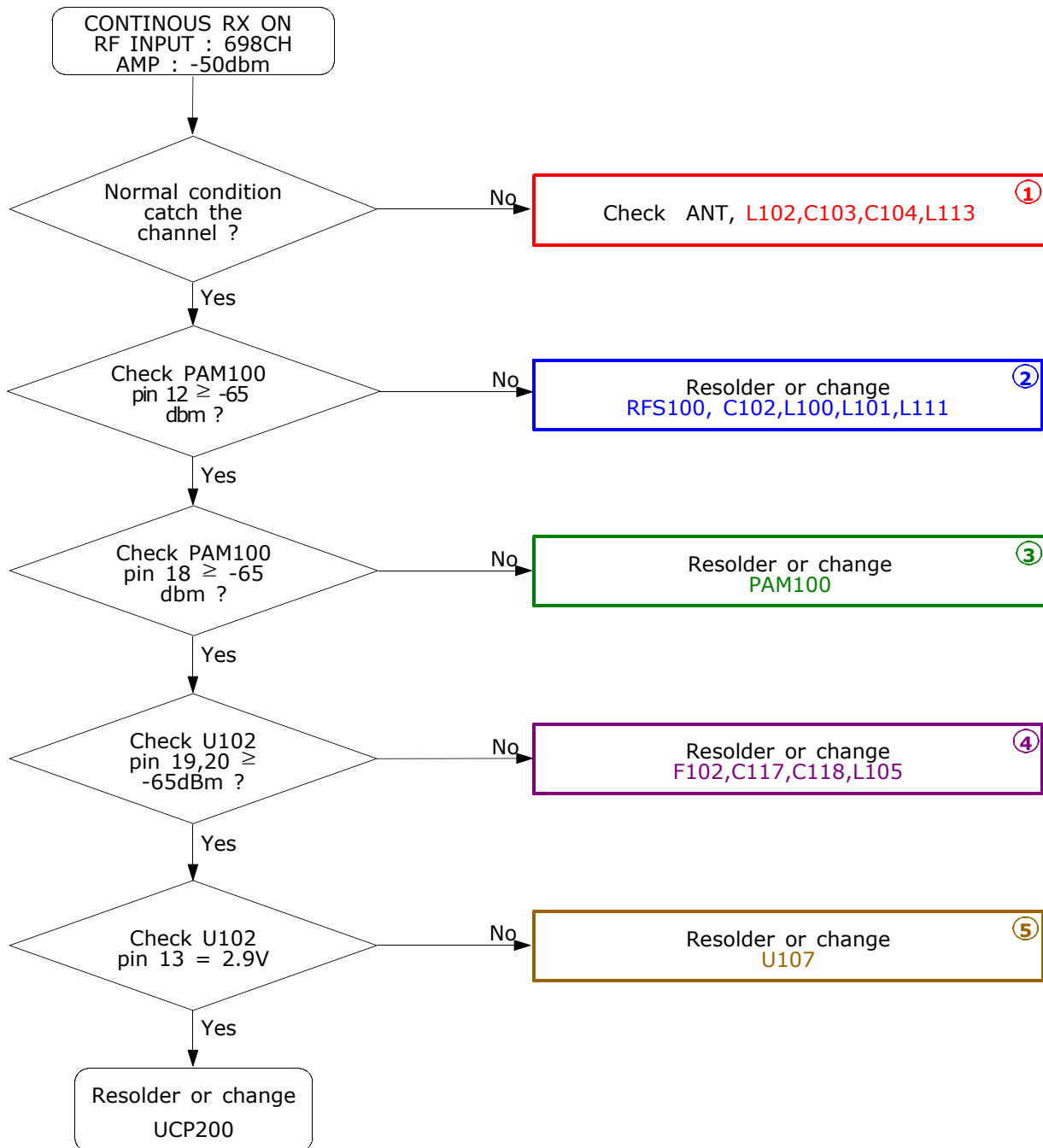
## 2-2. RF

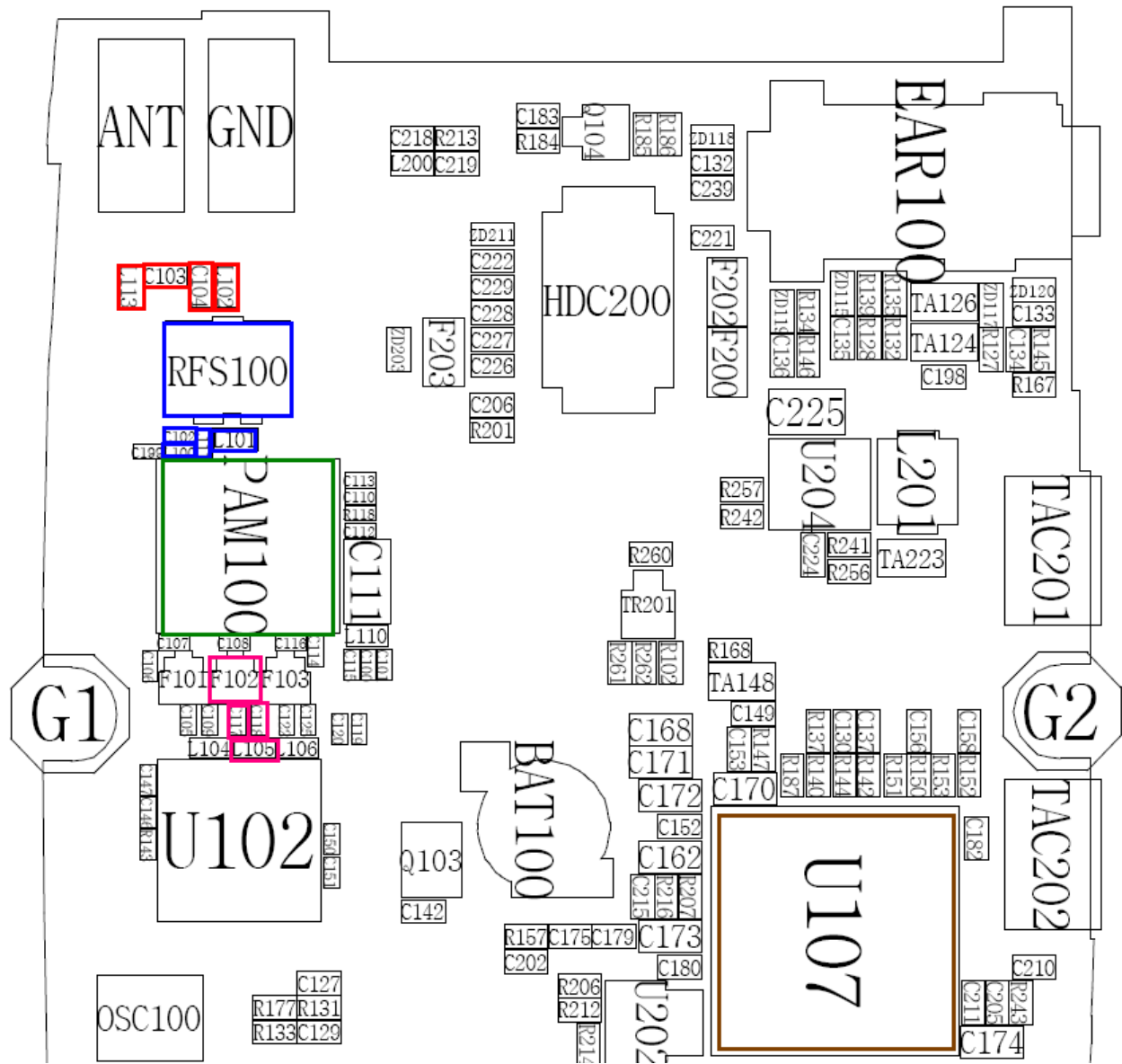
### 2-2-1. GSM Rx





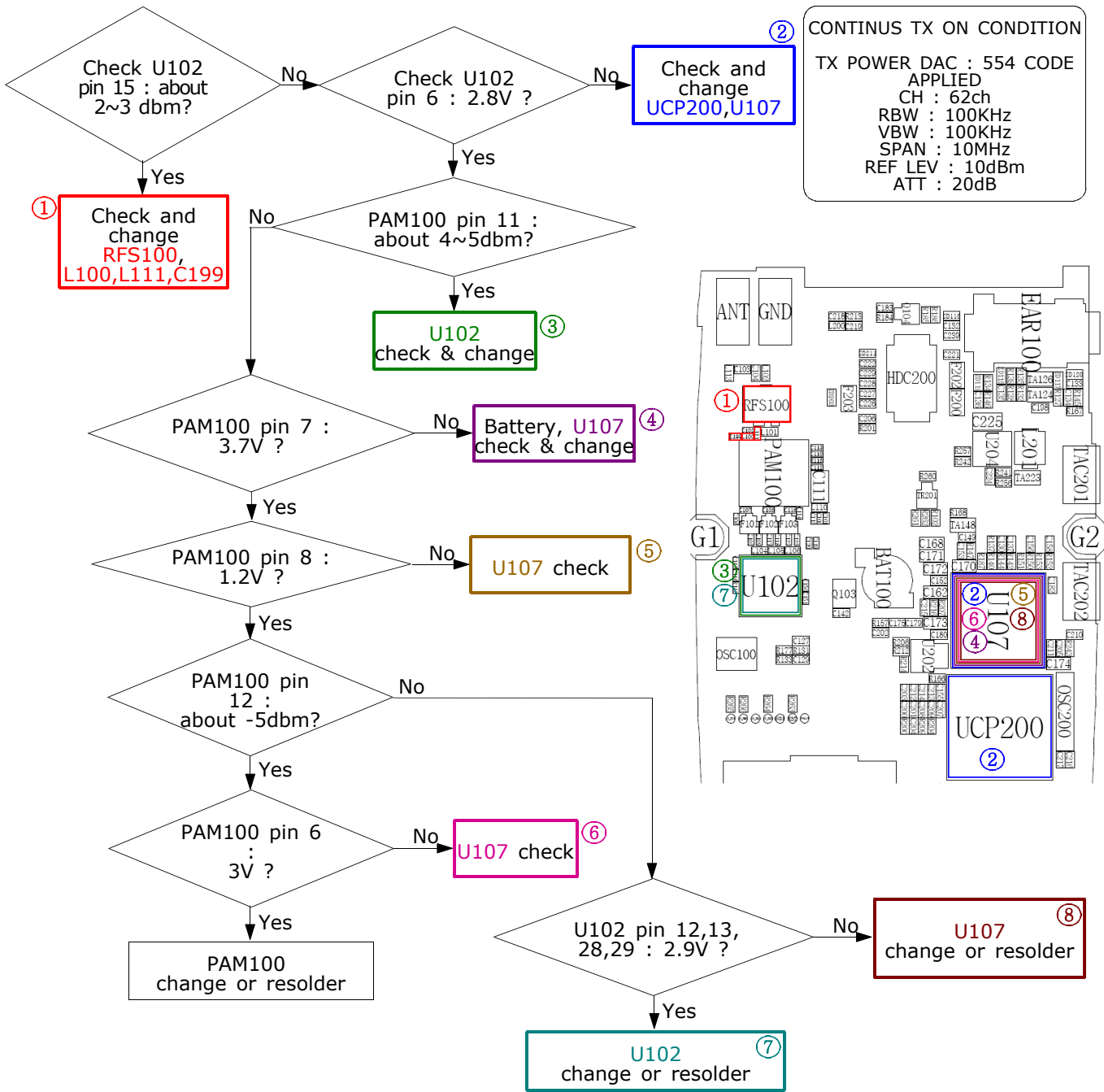
**2-2-2. DCS Rx**







2-2-3. GSM Tx



### 2-2-4. DCS Tx

