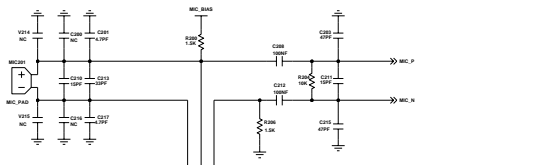
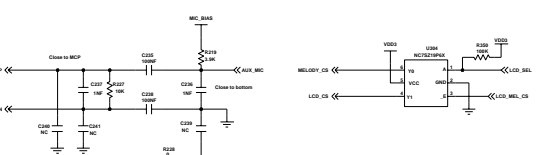
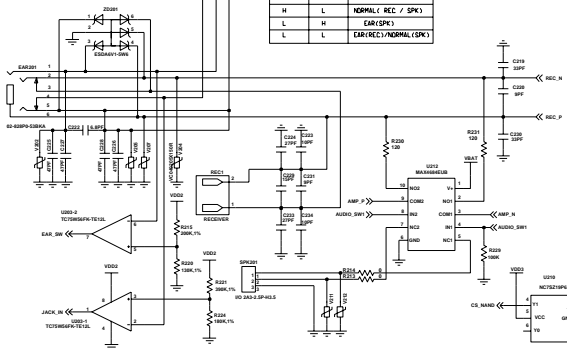


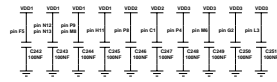
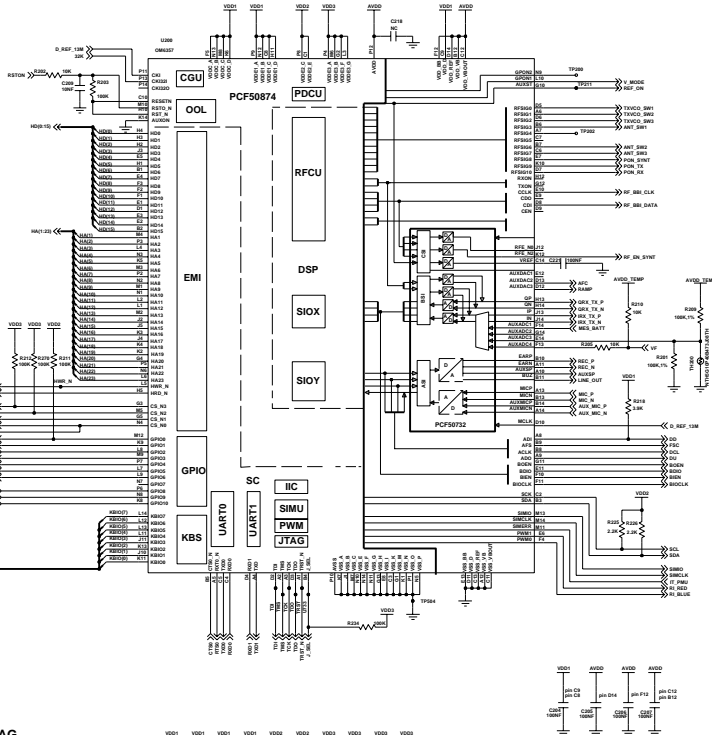
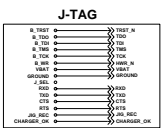
	VCC(VCC_DCS)	VCC(VCC_PCS)	VCC(VCC_EGSM)
EGSM_TX	1	0	0
DCS/PCS_TX	0	1	0
EGSM/DCS_RX	0	0	0
PCS_RX	0	0	1



JACK_IN	MEMO.SW1	ASD10.SW1
M	L	NORMAL, REC / SPK
L	M	EAR(SPK)
L	L	EAR(REC)/NORMAL(SPK)



SP10 (LCD_SEL)	CS3	Y0 (MEMORY_CS)	Y1 (LCD_CS)
M	L	L	M
H	L	M	L
X	M	M	H



Engineer Drawn by R&D CHK DOC CTRL CHK MFG ENDR CHK		COMPANY NAME TITLE: SGH-X100_REV 3.0		Size
Changed by Date Changed 2013.08.05		Time Changed CA CHK		Drawing Number Sheet 2 of 4

