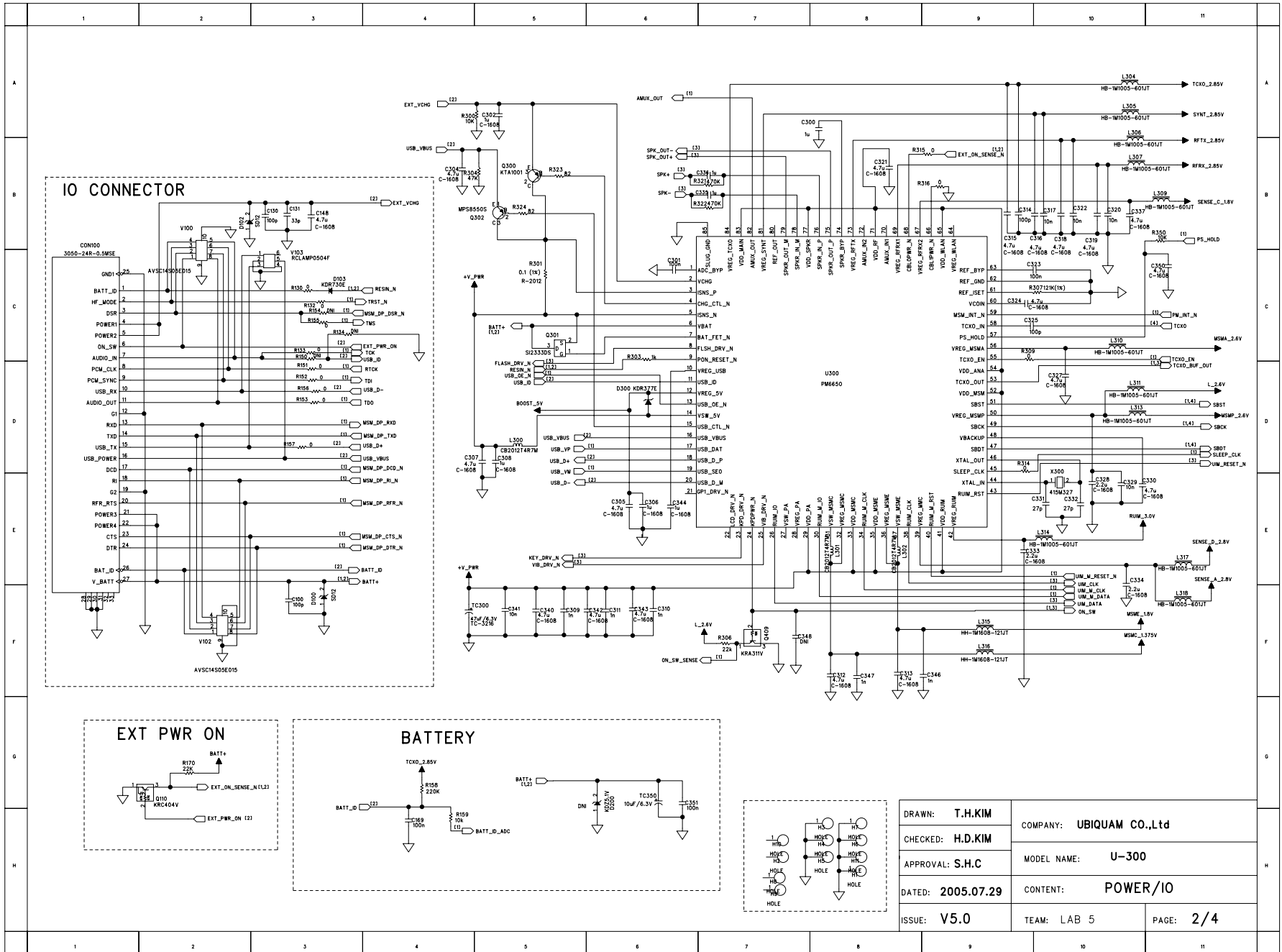
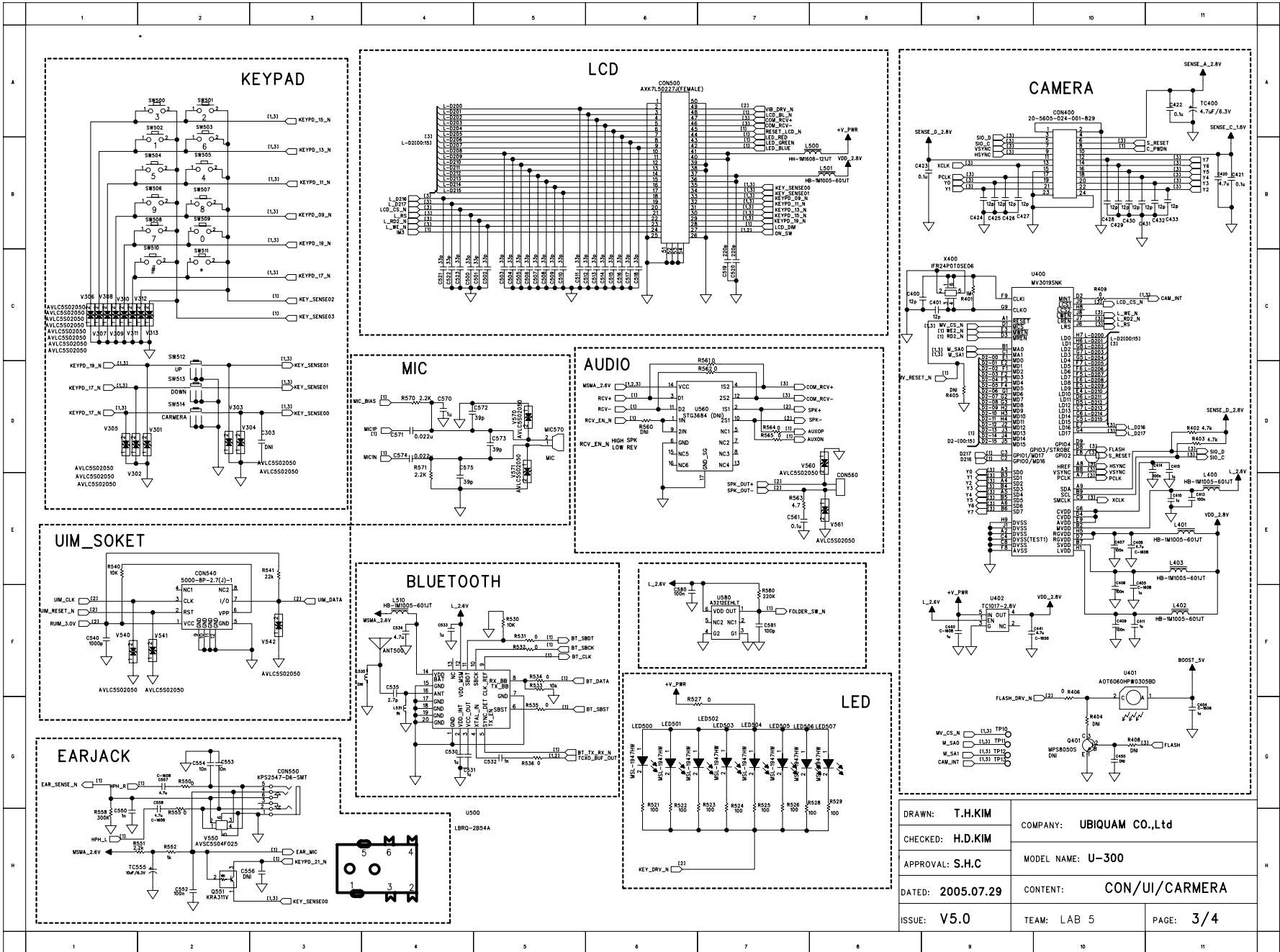


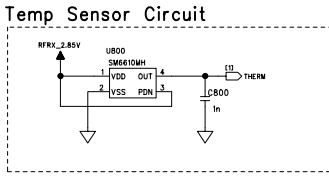
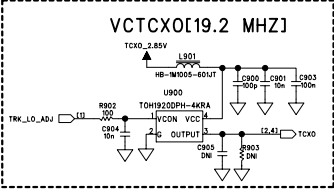
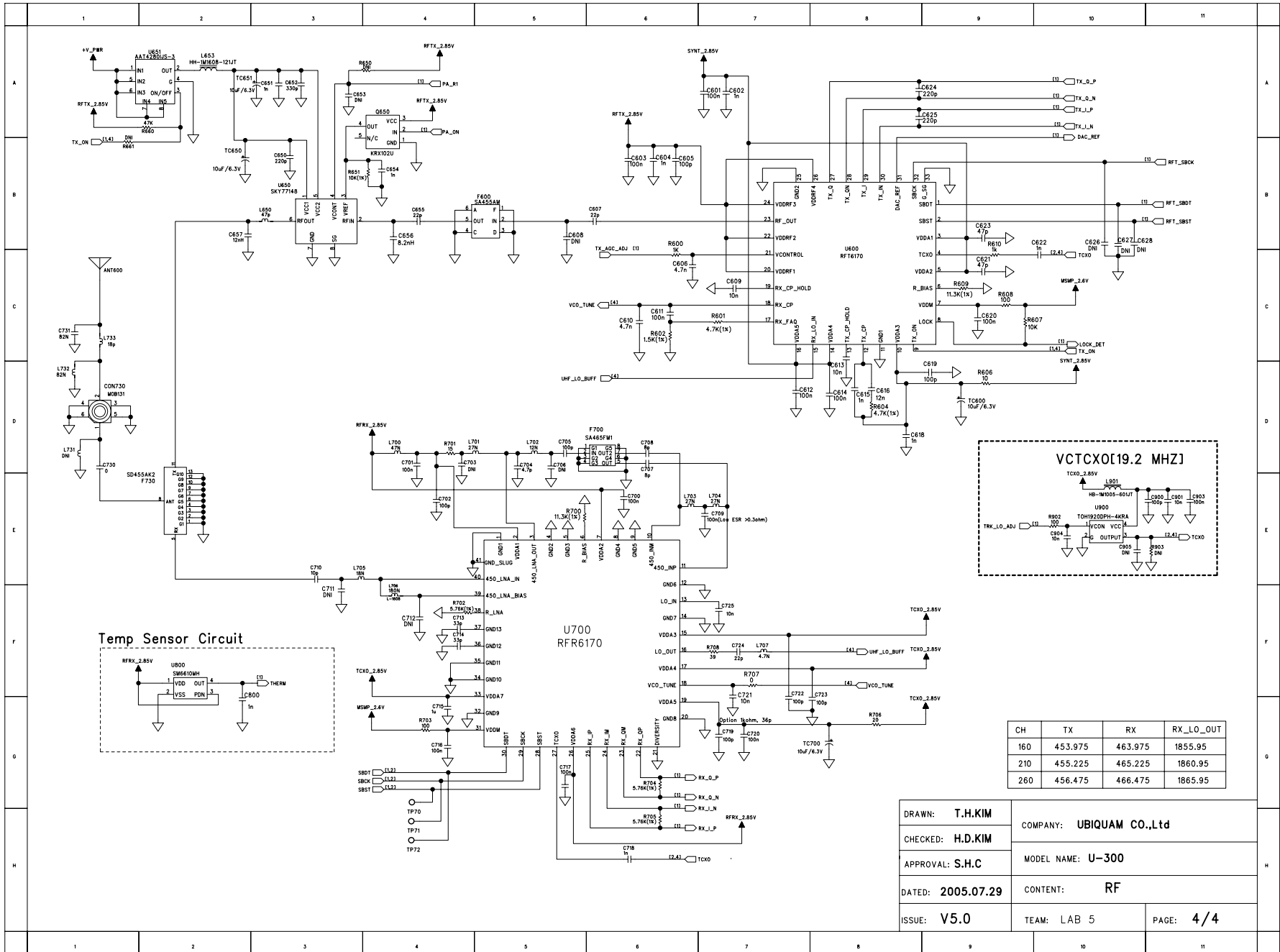
DRAWN: T.H.KIM	COMPANY: UBIQUAM CO.,Ltd	
CHECKED: H.D.KIM	MODEL NAME: U-300	
APPROVAL: S.H.C	CONTENT: MSM / MEMORY	
DATED: 2005.07.29	TEAM: LAB 5	PAGE: 1/4
ISSUE: V5.0		



DRAWN: T.H.KIM	COMPANY: UBIQUAM CO.,Ltd	
CHECKED: H.D.KIM	MODEL NAME: U-300	
APPROVAL: S.H.C	CONTENT: POWER/IO	
DATED: 2005.07.29	TEAM: LAB 5	PAGE: 2/4
ISSUE: V5.0		



DRAWN: T.H.KIM	COMPANY: UBIQUAM CO.,Ltd	
CHECKED: H.D.KIM	MODEL NAME: U-300	
APPROVAL: S.H.C	CONTENT: CON/UI/CAMERA	
DATED: 2005.07.29	TEAM: LAB 5	PAGE: 3/4
ISSUE: V5.0		



CH	TX	RX	RX_LO_OUT
160	453.975	463.975	1855.95
210	455.225	465.225	1860.95
260	456.475	466.475	1865.95

DRAWN: T.H.KIM	COMPANY: UBIQUAM CO.,Ltd	
CHECKED: H.D.KIM	MODEL NAME: U-300	
APPROVAL: S.H.C	CONTENT: RF	
DATED: 2005.07.29	TEAM: LAB 5	PAGE: 4/4