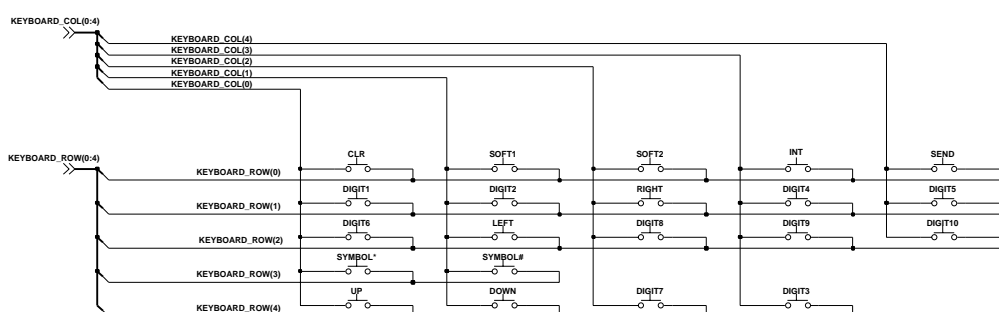
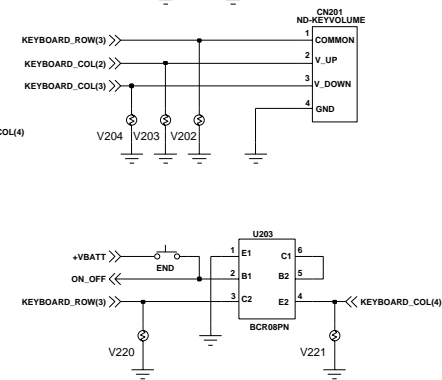
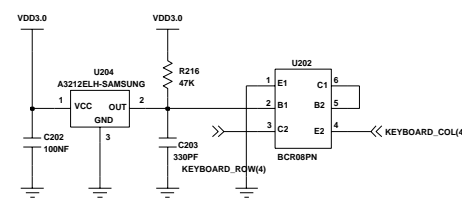
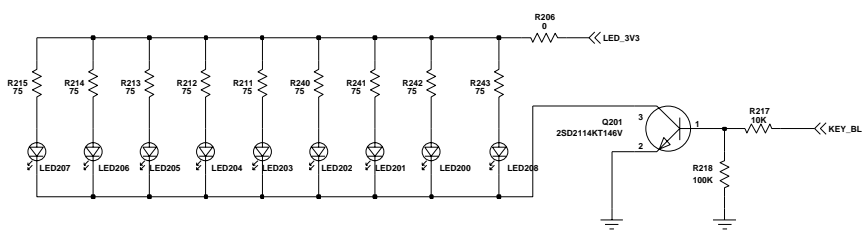
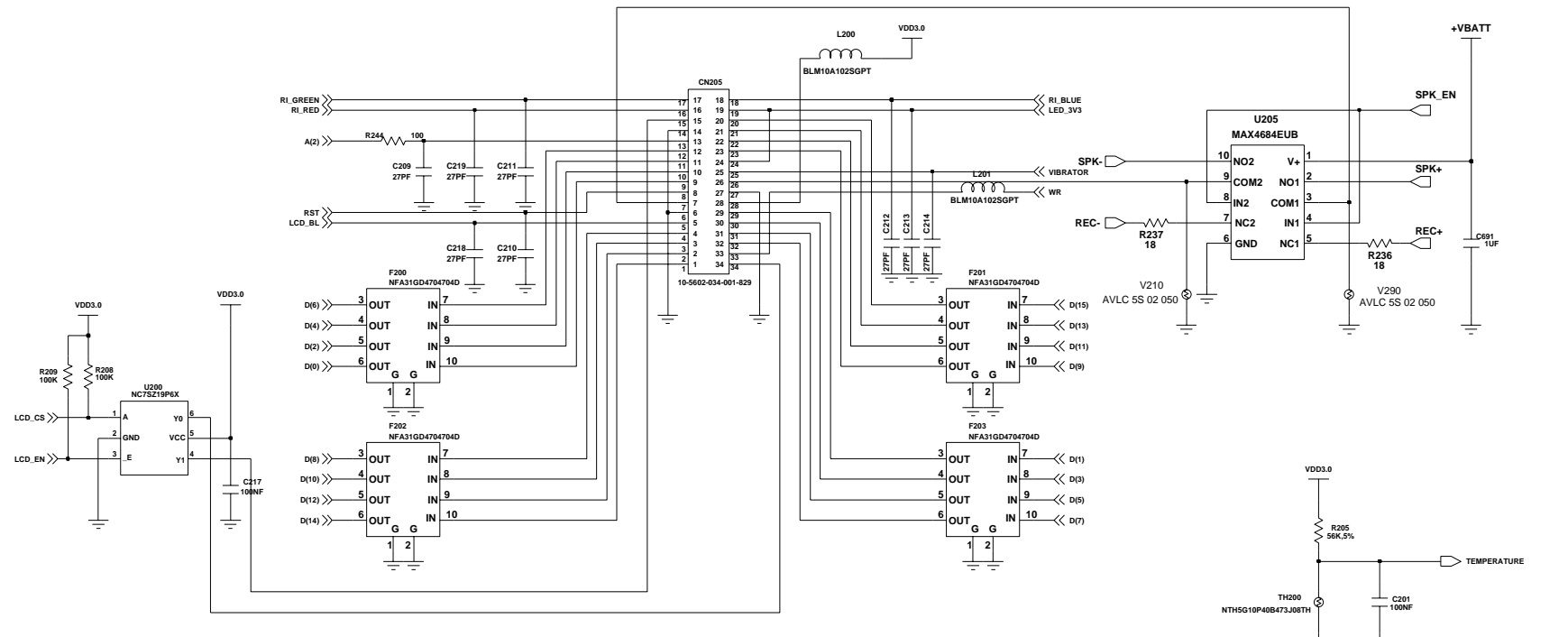
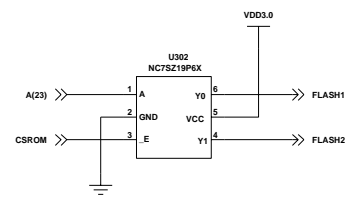
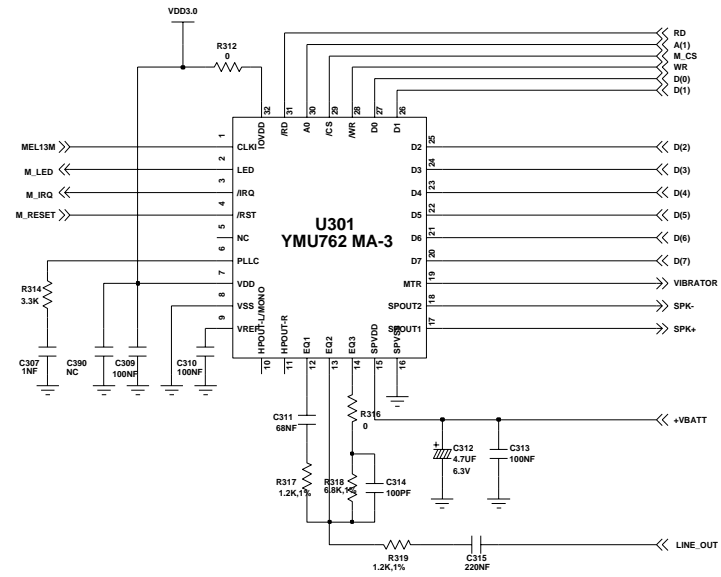
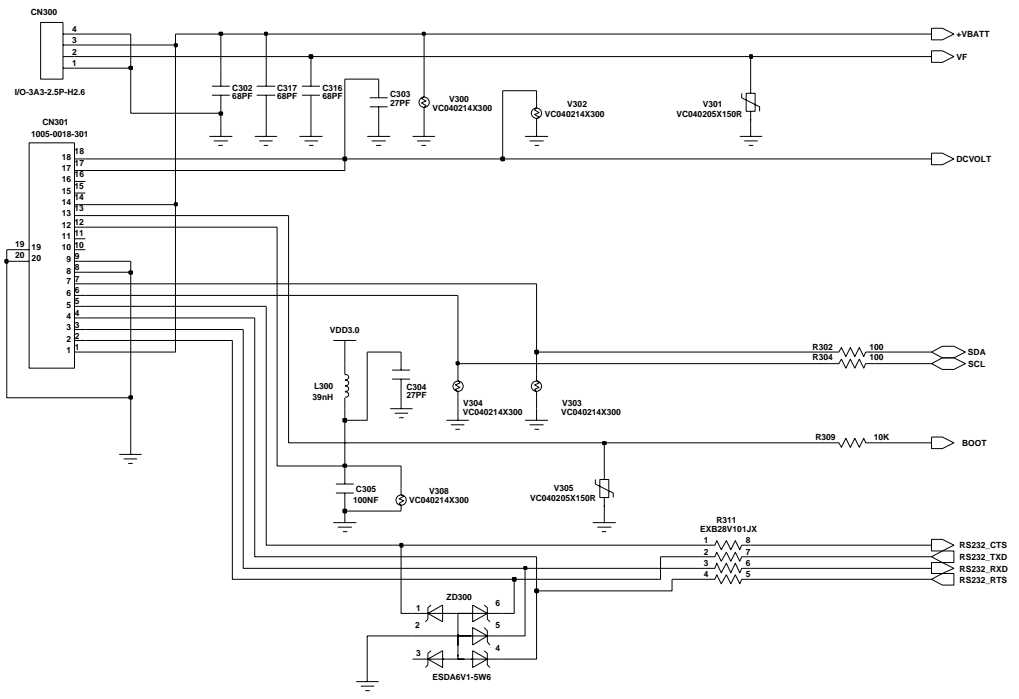
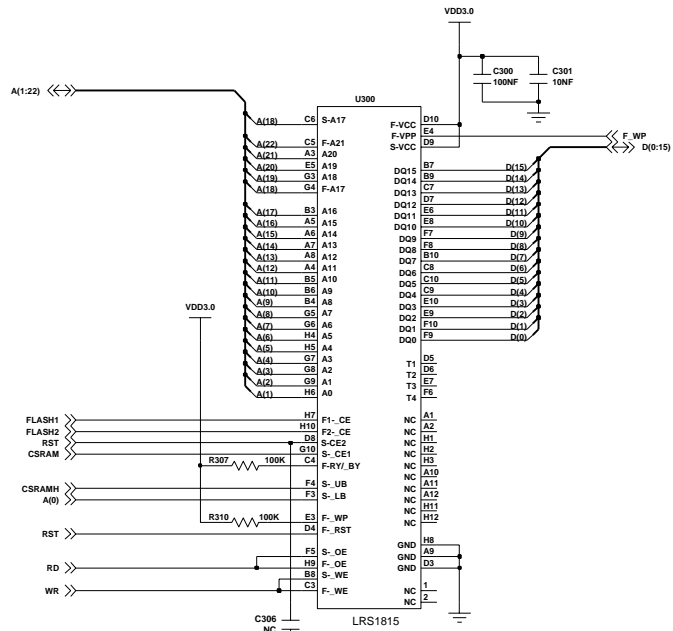


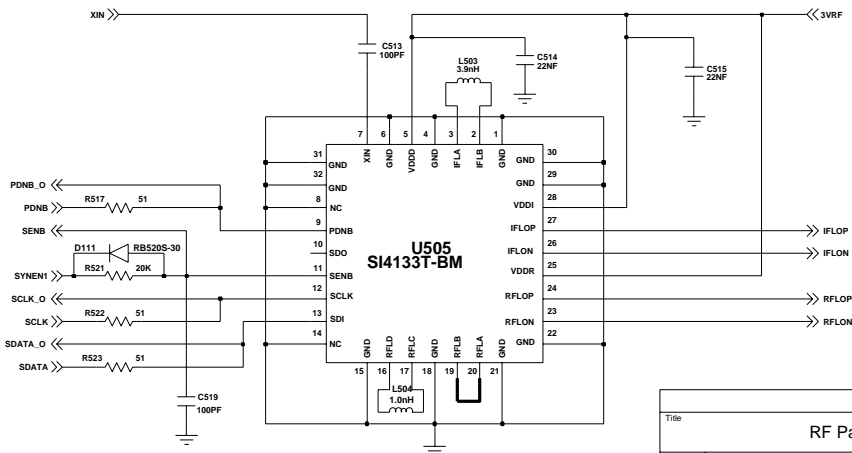
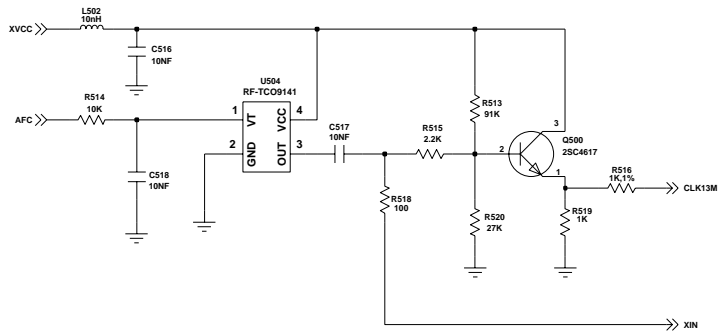
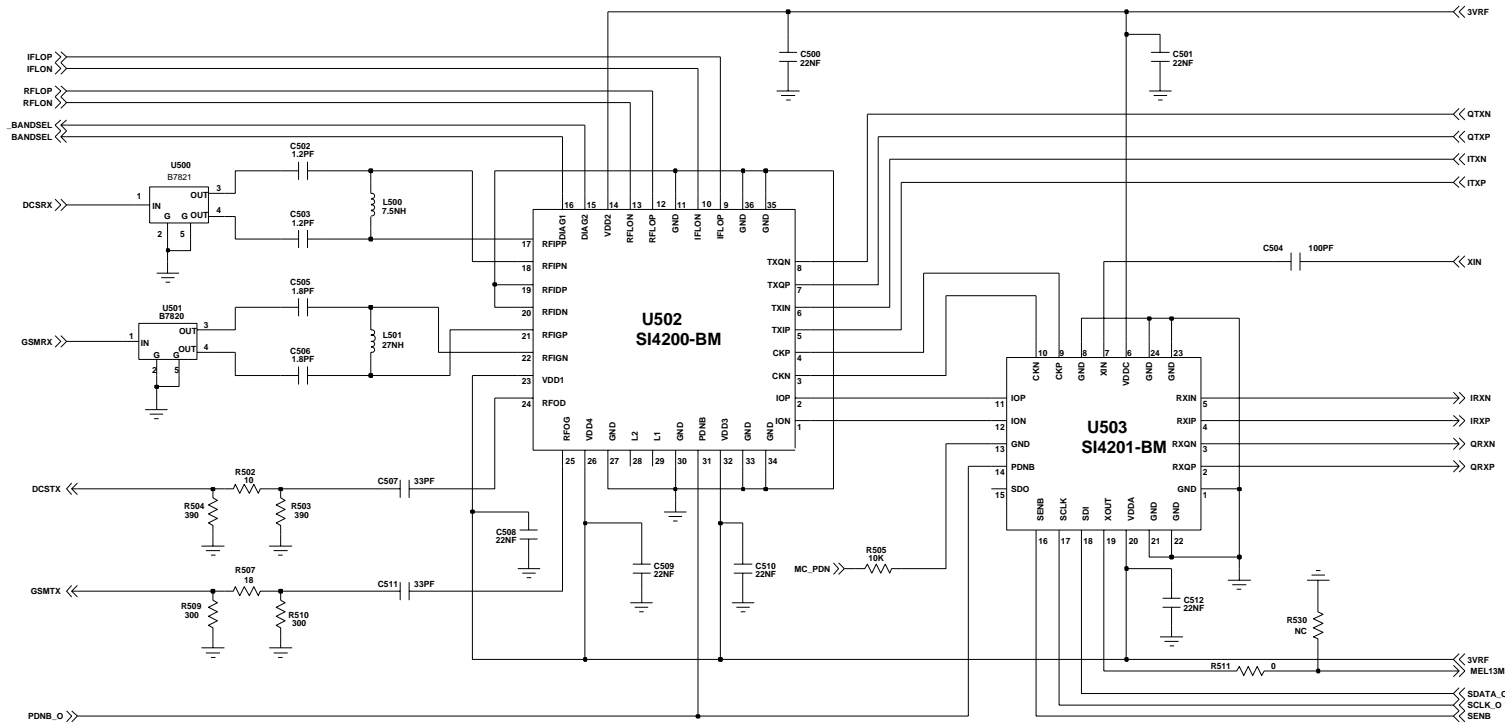
Title		POWER/SIM/CHARGER Part	
Size	A4	Model & VER:	SGH-T500_REV2.8
Date:		Sheet	1 of 6



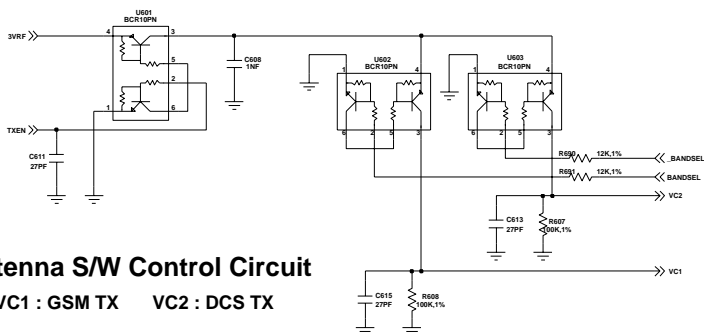
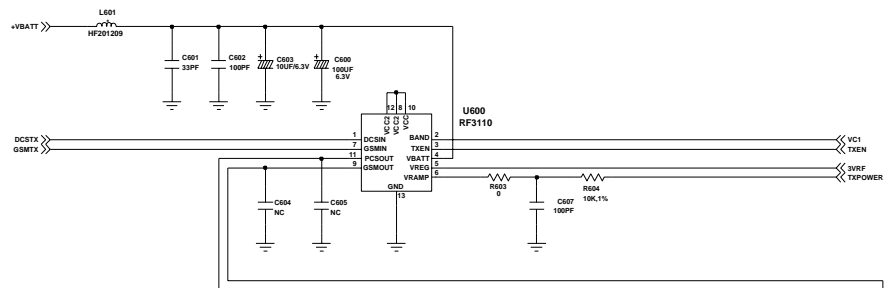
Title		
LCD & KEY CONNECTOR Part		
Size	Model & VER.	
A4	SGH-T500_REV2.8	
Date:		Sheet 2 of 6



Title		
MEMORY/YAMAHA/IF CONNECTOR Part		
Size	Model & VER.	
A4	SGH-T500_REV2.8	
Date:		Sheet 3 of 6



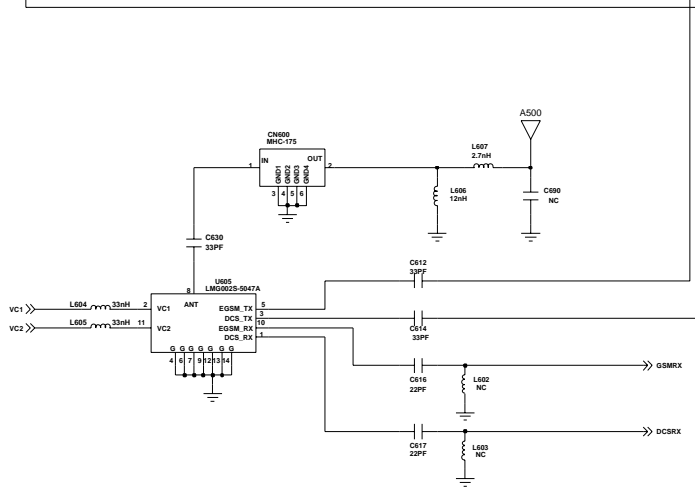
Title		RF Part1	
Size	Model & VER:		
A3	SGH-T500_REV2.8		
Date:		Sheet	5 of 6

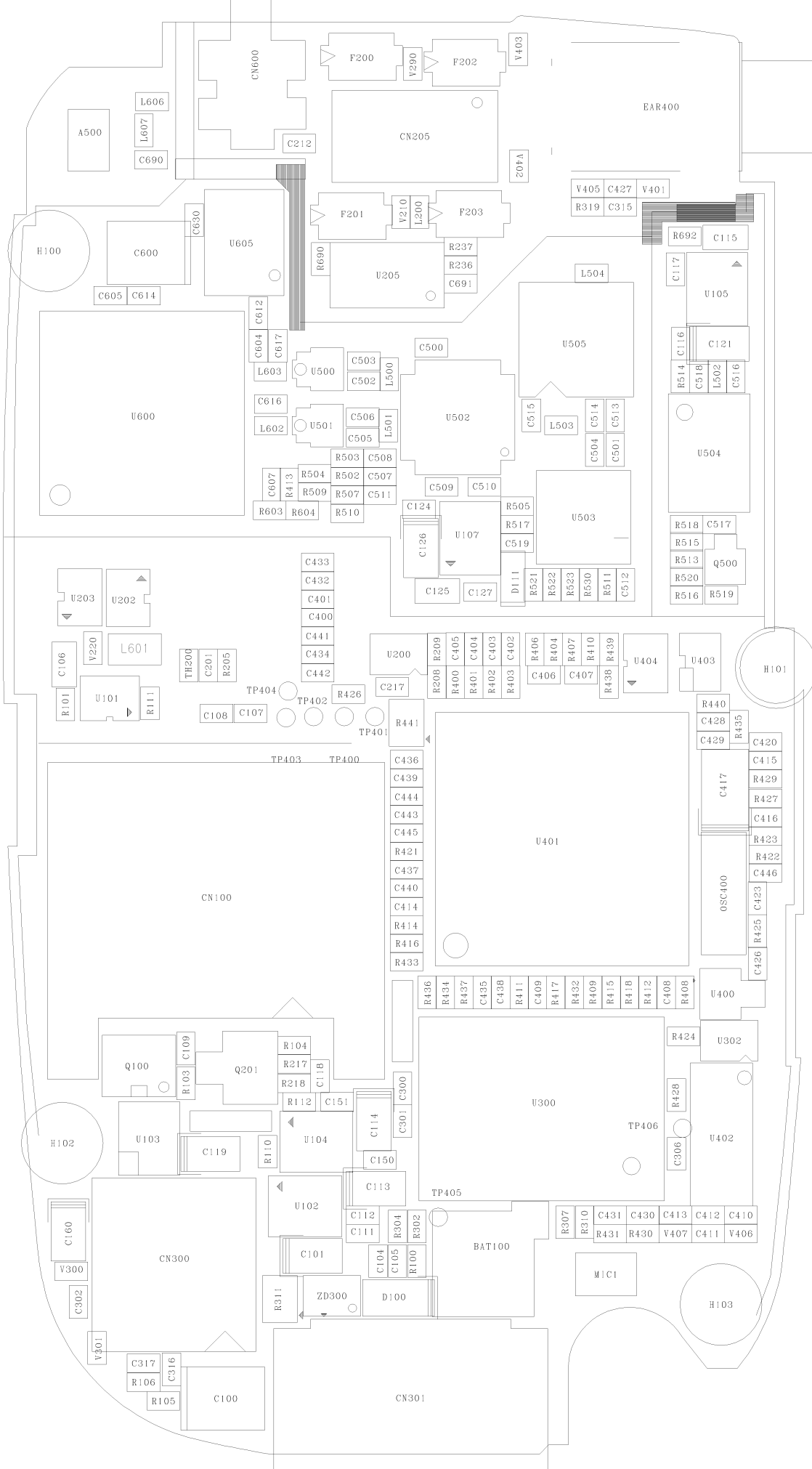


Antenna S/W Control Circuit

VC1 : GSM TX VC2 : DCS TX

	VC1	VC2
TX (DCS)	H	L
TX (GSM)	L	H
RX	L	L





- JT1
- JT3
- JT2
- JT5
- JT4
- JT6
- JT7
- JT8
- JT9
- JT10
- JT11
- JT12
- JT13
- JT14
- JT15

