



DUAL BAND Mobile Cellular Phone SGH-T500

SERVICE Manual

DUAL BAND MOBILE CELLULAR PHONE



CONTENTS

1. Exploded Views and Parts List
2. PCB Diagrams
3. Electrical Parts List
4. Block Diagrams
5. Flow Chart of Troubleshooting and Circuit Diagrams

1. Exploded Views and Parts List

- 1-1 Main
- 1-2 Main Parts List
- 1-3 Travel Adapter
- 1-4 Travel Adapter Parts List
- 1-5 Ciger Light Adapter
- 1-6 Ciger Light Adapter Parts List
- 1-7 Test Jig
- 1-8 EAR Microphone
- 1-9 Data Kit
- 1-10 Battery Charger

2. PCB Diagrams

- 2-1 Main Top
- 2-2 Main Bottom

3. Electrical Parts List

- 3-1 Main Parts List Top
- 3-2 Main Parts List Bottom

4. Block Diagrams

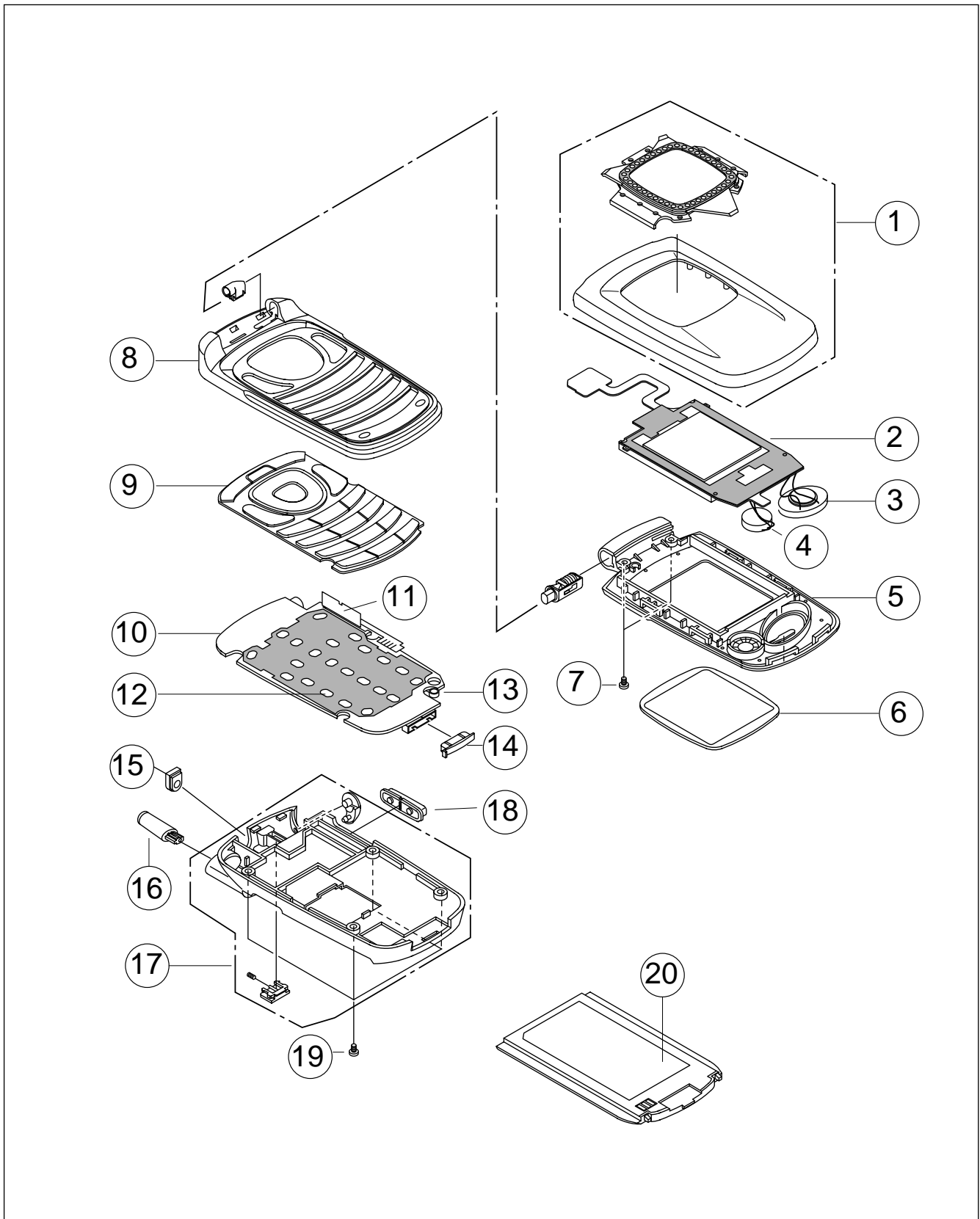
- 4-1 Main Baseband
- 4-2 Main RF
 - 4-2-1 RF Transmit Part
 - 4-2-2 RF Receive Part

5. Flow Chart of Troubleshooting and Circuit Diagrams

- 5-1 Power ON
 - 5-2 Initial
 - 5-3 Charging Part
 - 5-4 Sim Part
 - 5-5 Microphone Part
 - 5-6 Speaker Part
 - 5-7 Key Data Input
 - 5-8 Alert Tone
 - 5-9 Ring Indicator
 - 5-10 Melody Part
 - 5-11 GSM Receiver
 - 5-12 GSM Transmitter
 - 5-13 DCS Receiver
 - 5-14 DCS Transmitter
-

1. SGH-T500 Exploded Views and Parts List

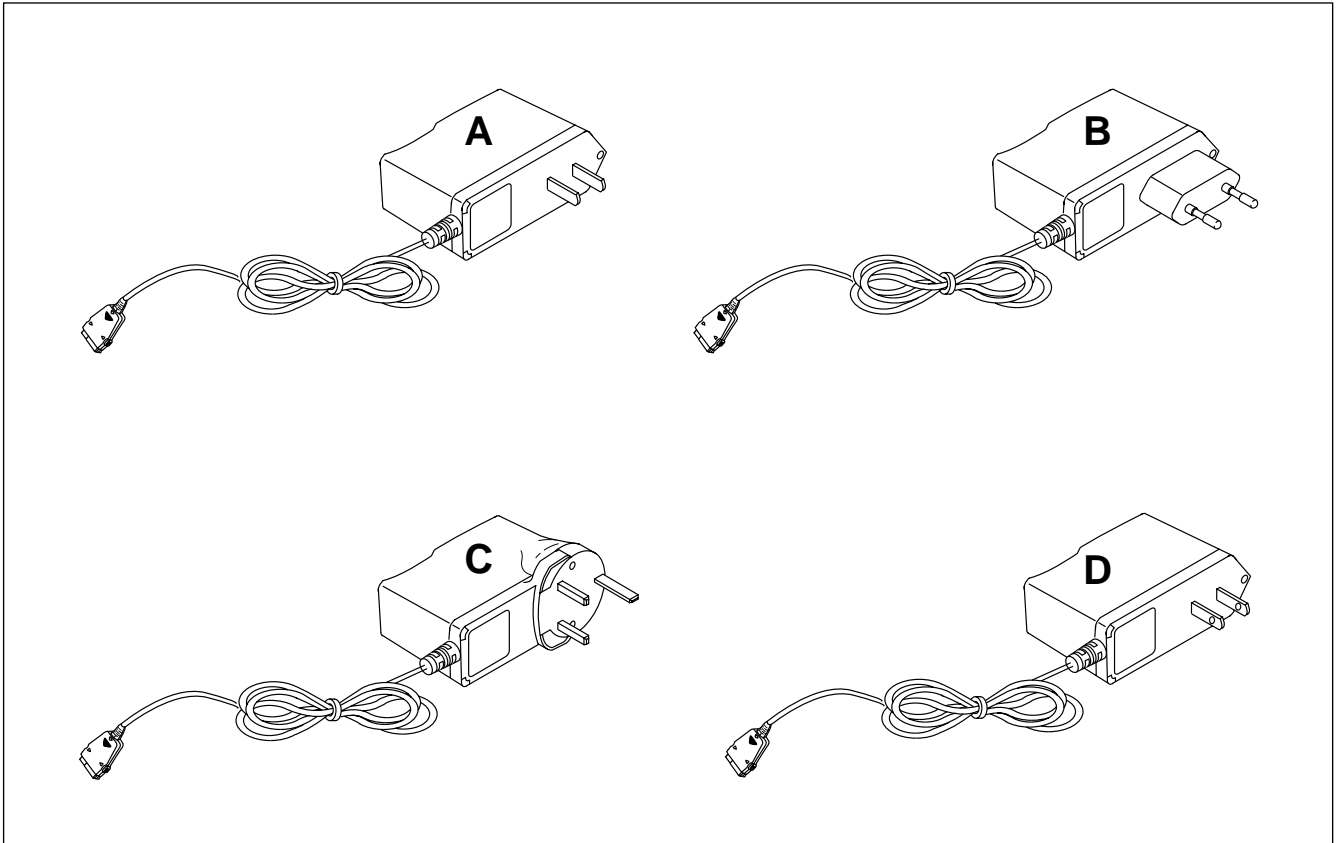
1-1 Main



1-2 Main Parts List

Location No.	Description	SEC CODE	Remark
1	FOLDER UPPER	GH75-02664A	
2	LCD	GH07-00278A	
3	SPEAKER	3001-001345	
4	MOTOR	GH31-00048A	
5	FOLDER LOWER	GH75-02193A	
6	WINDOW LCD	GH72-05017A	
7	SCREW	6001-001478	
8	FRONT COVER	GH75-02194A	
9	KEYPAD	GH75-02196A	
10	MAIN PBA	GH92-01337A	
11	VOLKEY FPCB	GH59-00572A	
12	DOME SHEET	GH59-00571A	
13	MIC	GH59-00610A	
14	CONNECTOR COVER	GH73-01338A	
15	RF COVER	GH73-01337A	
16	ANTENNA	GH42-00242A	
17	REAR COVER	GH75-02192A	
18	VOLUME KEY	GH75-02195A	
19	SCREW	6001-001478	
20	BATTERY	GH43-00720A	

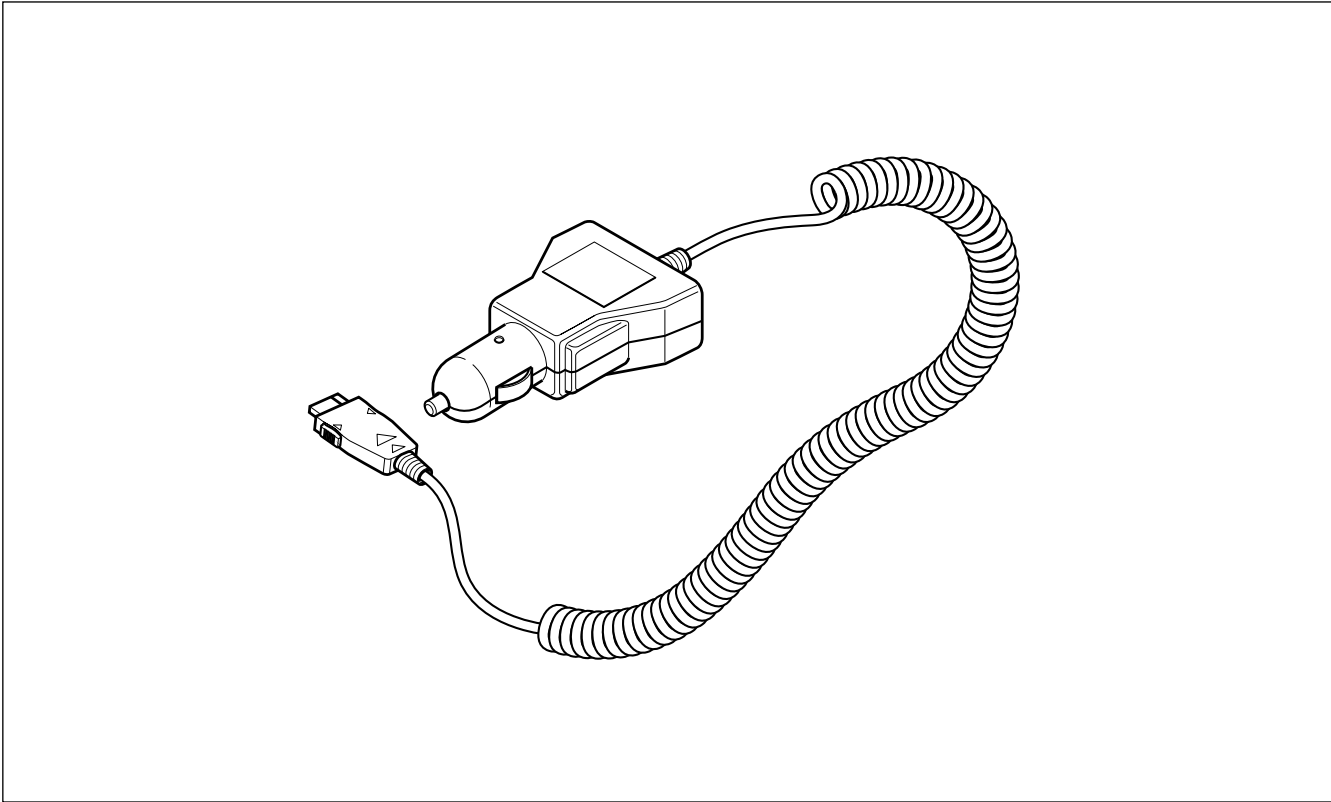
1-3 Travel Adapter



1-4 Travel Adapter Parts List

TYPE	SEC CODE	REMARK
A	GH44-00171A	CHINA
B	GH44-00184A	EUROPE
C	GH44-00171C	UNITED KINGDOM
D	Gh44-00171E	TAIWAN

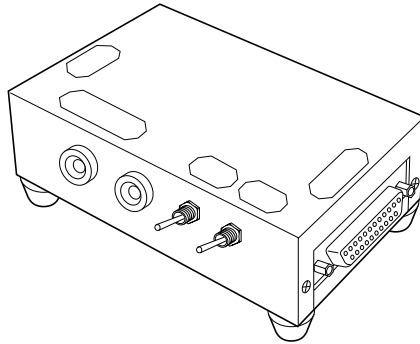
1-5 Ciger Light Adapter



1-6 Ciger Light Adapter Parts List

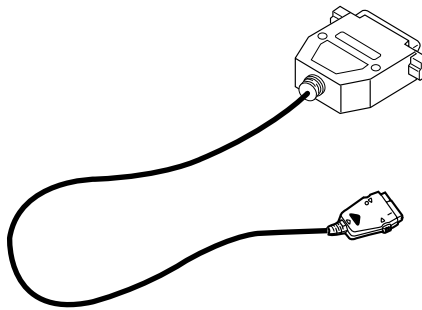
DESCRIPTION	SEC CODE	REMARK
Ciger Light Adapter Code	GH44-00170A	BLACK

1-7 Test Jig



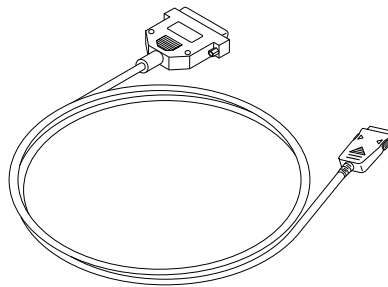
TEST JIG

GH80-10508A



TEST JIG CABLE

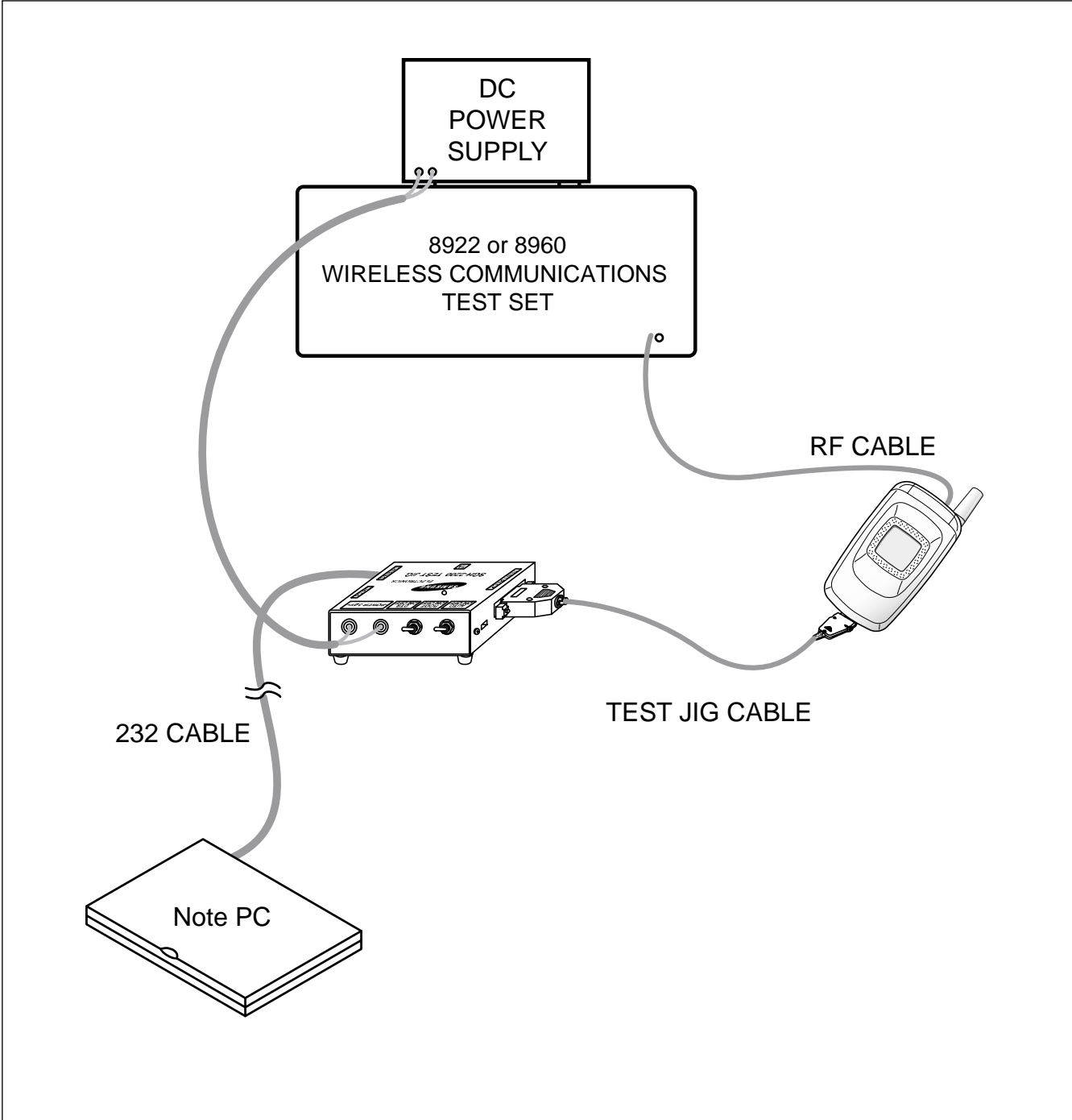
GH39-00079A



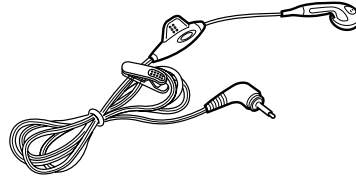
RF CABLE

GH39-00184A

1-7-1 Test Jig



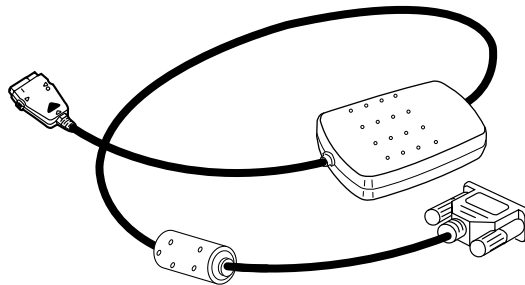
1-8 Wearable EAR Microphone



Wearable EAR MICROPHONE

GH59-00322A

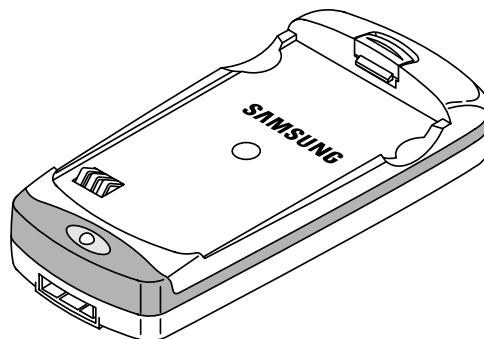
1-9 Data Kit



DATA KIT

GH39-00078A

1-10 Battery Charger

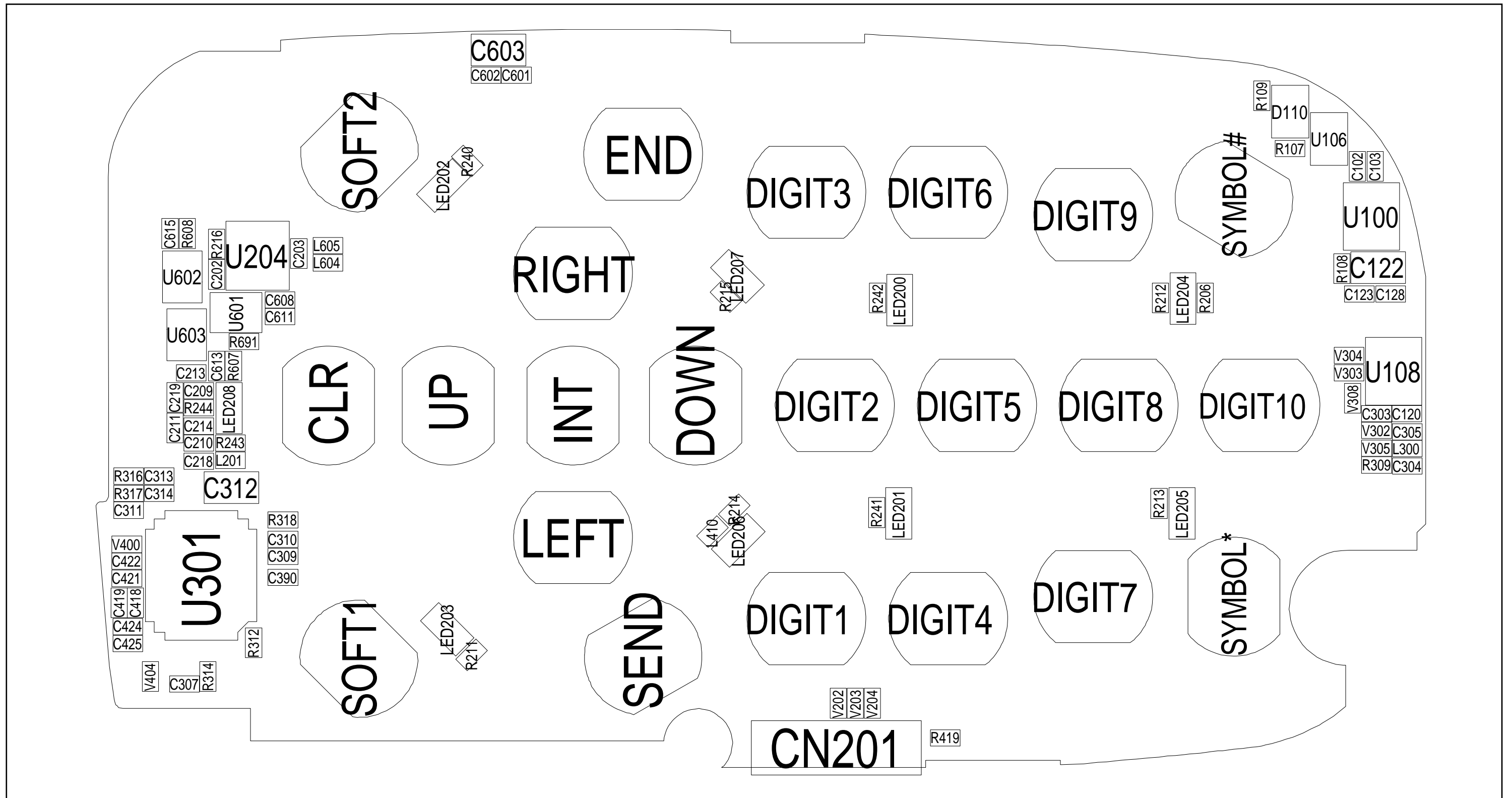


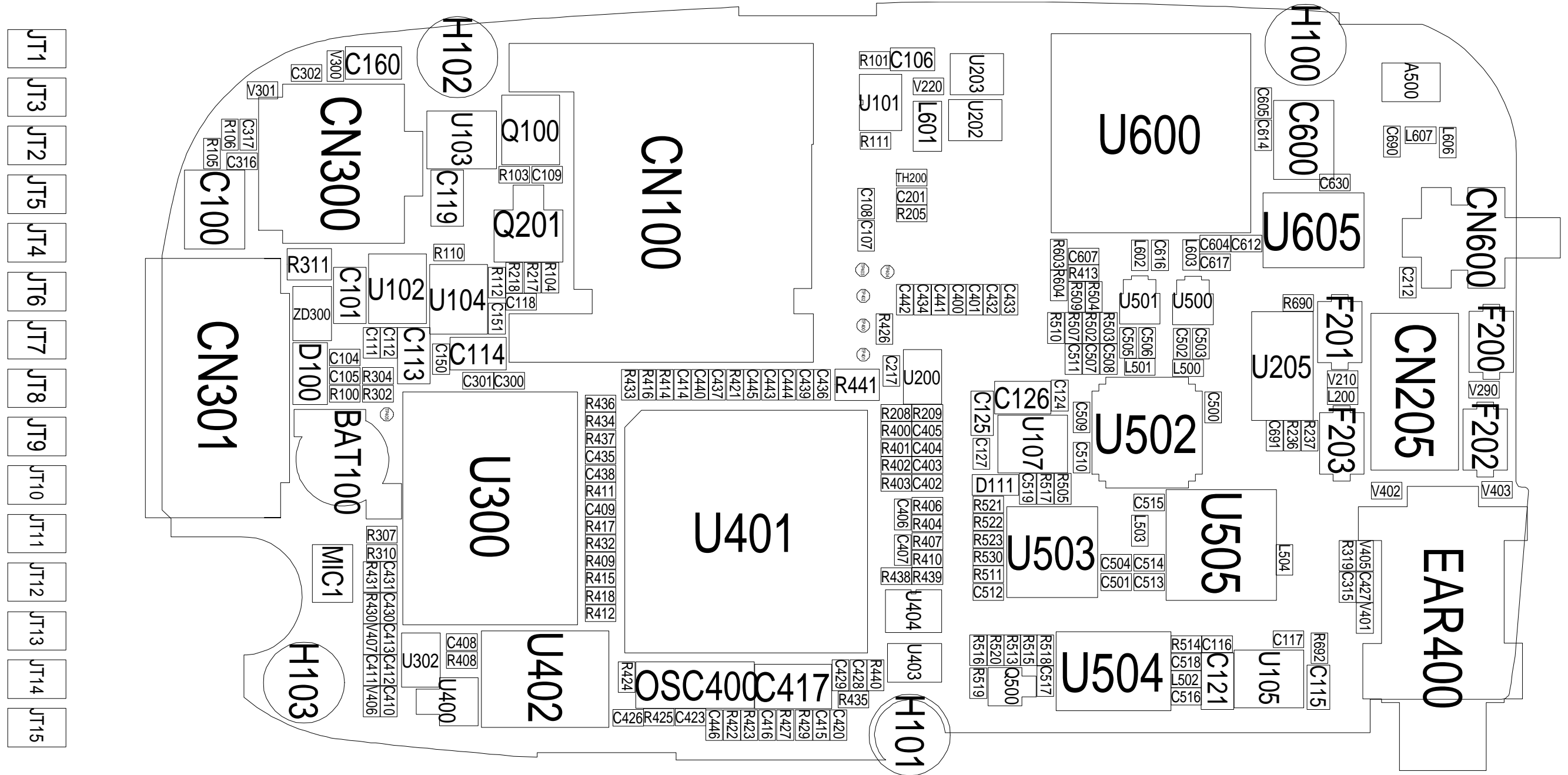
BATTERY CHARGER

GH44-00234A

2. PCB Diagrams

2-1 Main Top





3. Electrical Parts List

3-1 Main Parts List Top

NO	Reference	SEC CODE	Part Description	Vendor Part No.
4	D110	0407-001007	DIODE;UMN1	UMN1
8	U601	0504-001042	TR-SMALL SIGNAL;BCR10PN	BCR10PN
9	U602	0504-001042	TR-SMALL SIGNAL;BCR10PN	BCR10PN
10	U603	0504-001042	TR-SMALL SIGNAL;BCR10PN	BCR10PN
15	U106	0506-001004	TR-SMALL SIGNAL;UMC5NTL	UMC5NTL
16	LED200	0601-001611	LED;SLS-NNWH102TS	SLS-NNWH102TS
17	LED201	0601-001611	LED;SLS-NNWH102TS	SLS-NNWH102TS
18	LED202	0601-001611	LED;SLS-NNWH102TS	SLS-NNWH102TS
19	LED203	0601-001611	LED;SLS-NNWH102TS	SLS-NNWH102TS
20	LED204	0601-001611	LED;SLS-NNWH102TS	SLS-NNWH102TS
21	LED205	0601-001611	LED;SLS-NNWH102TS	SLS-NNWH102TS
22	LED206	0601-001611	LED;SLS-NNWH102TS	SLS-NNWH102TS
23	LED207	0601-001611	LED;SLS-NNWH102TS	SLS-NNWH102TS
24	LED208	0601-001611	LED;SLS-NNWH102TS	SLS-NNWH102TS
29	U204	1009-001010	IC-HALL EFFECT S/W;A3212ELH-SAMSUNG	A3212ELH-SAMSUNG
34	U100	1203-002077	IC-VOLTAGE REGULATOR;LP2985AIM5-3.3	LP2985AIM5-3.3
37	U108	1203-002156	IC-VOLTAGE REGULATOR;LP3985IM5X-2.5	LP3985IM5X-2.5
40	U301	1204-001960	IC-MELODY;YMU762 MA-3	YMU762 MA-3
47	V305	1405-001082	VARISTOR;VC040205X150R	VC040205X150R
48	V400	1405-001082	VARISTOR;VC040205X150R	VC040205X150R
52	V404	1405-001082	VARISTOR;VC040205X150R	VC040205X150R
57	V302	1405-001093	VARISTOR;VC040214X300	VC040214X300
58	V303	1405-001093	VARISTOR;VC040214X300	VC040214X300
59	V304	1405-001093	VARISTOR;VC040214X300	VC040214X300
60	V308	1405-001093	VARISTOR;VC040214X300	VC040214X300
61	V202	1405-001121	VARISTOR;AVLC 5S 02 050	AVLC 5S 02 050
62	V203	1405-001121	VARISTOR;AVLC 5S 02 050	AVLC 5S 02 050
63	V204	1405-001121	VARISTOR;AVLC 5S 02 050	AVLC 5S 02 050
67	R244	2007-000138	"R-CHIP;100,5%"	RC1005J101CS
80	R309	2007-000148	"R-CHIP;10K,5%"	RC1005J103CS
91	R216	2007-000157	"R-CHIP;47K,5%"	RC1005J473CS
97	R107	2007-000162	"R-CHIP;100K,5%"	RC1005J104CS
98	R108	2007-000162	"R-CHIP;100K,5%"	RC1005J104CS
99	R109	2007-000162	"R-CHIP;100K,5%"	RC1005J104CS
112	R419	2007-000162	"R-CHIP;100K,5%"	RC1005J104CS
128	R314	2007-001325	"R-CHIP;3.3K,5%"	MCR01MZSJ511
133	R211	2007-007009	"R-CHIP;75ohm,5%"	RC1005J750CS
134	R212	2007-007009	"R-CHIP;75ohm,5%"	RC1005J750CS
135	R241	2007-001290	"R-CHIP;24ohm,5%"	RC1005J240CS

NO	Reference	SEC CODE	Part Description	Vendor Part No.
136	R241	2007-001290	"R-CHIP;24ohm,5%"	RC1005J240CS
137	R215	2007-007009	"R-CHIP;75ohm,5%"	RC1005J750CS
138	R240	2007-007009	"R-CHIP;75ohm,5%"	RC1005J750CS
139	R241	2007-001290	"R-CHIP;24ohm,5%"	RC1005J240CS
140	R242	2007-007009	"R-CHIP;75ohm,5%"	RC1005J750CS
141	R243	2007-007009	"R-CHIP;75ohm,5%"	RC1005J750CS
145	R607	2007-007107	"R-CHIP;100K,1%"	RC1005F1003CS
146	R608	2007-007107	"R-CHIP;100K,1%"	RC1005F1003CS
147	R317	2007-007137	"R-CHIP;1.2K,1%"	MCR01MZSF1202
151	R691	2007-007309	"R-CHIP;12K,1%"	MCR01MZSF1202
152	R318	2007-007313	"R-CHIP;6.8K,1%"	MCR01MZSF2201
163	R206	2007-007771	"R-CHIP;0,5%"	RC1005J000CS
164	R312	2007-007771	"R-CHIP;0,5%"	RC1005J000CS
165	R316	2007-007771	"R-CHIP;0,5%"	RC1005J000CS
172	C314	2203-002687	"C-CERAMIC,CHIP;1.2nF,10%,50V,X7R,"	CL05B122KBNC
180	C602	2203-000233	"C-CERAMIC,CHIP;C101J,100PF,50V"	CL05C101JBNC
182	C103	2203-000254	"C-CERAMIC,CHIP;C103K,10NF,16V"	CL05B103KONC
185	C120	2203-000254	"C-CERAMIC,CHIP;C103K,10NF,16V"	CL05B103KONC
200	C307	2203-000438	"C-CERAMIC,CHIP;C102K,1NF,50V"	CL05B102KBNC
201	C608	2203-000438	"C-CERAMIC,CHIP;C102K,1NF,50V"	CL05B102KBNC
209	C209	2203-000679	"C-CERAMIC,CHIP;C270J,27PF,50V"	CL05C270JBNC
210	C210	2203-000679	"C-CERAMIC,CHIP;C270J,27PF,50V"	CL05C270JBNC
211	C211	2203-000679	"C-CERAMIC,CHIP;C270J,27PF,50V"	CL05C270JBNC
213	C213	2203-000679	"C-CERAMIC,CHIP;C270J,27PF,50V"	CL05C270JBNC
214	C214	2203-000679	"C-CERAMIC,CHIP;C270J,27PF,50V"	CL05C270JBNC
215	C218	2203-000679	"C-CERAMIC,CHIP;C270J,27PF,50V"	CL05C270JBNC
216	C219	2203-000679	"C-CERAMIC,CHIP;C270J,27PF,50V"	CL05C270JBNC
217	C303	2203-000679	"C-CERAMIC,CHIP;C270J,27PF,50V"	CL05C270JBNC
218	C304	2203-000679	"C-CERAMIC,CHIP;C270J,27PF,50V"	CL05C270JBNC
223	C611	2203-000679	"C-CERAMIC,CHIP;C270J,27PF,50V"	CL05C270JBNC
224	C613	2203-000679	"C-CERAMIC,CHIP;C270J,27PF,50V"	CL05C270JBNC
225	C615	2203-000679	"C-CERAMIC,CHIP;C270J,27PF,50V"	CL05C270JBNC
240	C601	2203-000812	"C-CERAMIC,CHIP;C330J,33PF,50V"	CM05CG330J50AT
245	C421	2203-000854	"C-CERAMIC,CHIP;C390J,39PF,50V"	CL05C390JBNC
246	C424	2203-000854	"C-CERAMIC,CHIP;C390J,39PF,50V"	CL05C390JBNC
250	C422	2203-001017	"C-CERAMIC,CHIP;C040C,4PF,50V"	GRP1555C1H4R0C
251	C425	2203-001017	"C-CERAMIC,CHIP;C040C,4PF,50V"	GRP1555C1H4R0C
263	C203	2203-002443	"C-CERAMIC,CHIP;C331K,330PF,50V"	CL05B331KBNC
268	C102	2203-005061	"C-CERAMIC,CHIP;C104Z,100NF,16V"	CL05F104ZONC
272	C123	2203-005061	"C-CERAMIC,CHIP;C104Z,100NF,16V"	CL05F104ZONC
274	C128	2203-005061	"C-CERAMIC,CHIP;C104Z,100NF,16V"	CL05F104ZONC
276	C202	2203-005061	"C-CERAMIC,CHIP;C104Z,100NF,16V"	CL05F104ZONC
279	C305	2203-005061	"C-CERAMIC,CHIP;C104Z,100NF,16V"	CL05F104ZONC

NO	Refer ence	SEC CODE	Part Description	Vendor Part No.
280	C309	2203-005061	"C-CERAMIC,CHIP;C104Z,100NF,16V"	CL05F104ZONC
281	C310	2203-005061	"C-CERAMIC,CHIP;C104Z,100NF,16V"	CL05F104ZONC
282	C313	2203-005061	"C-CERAMIC,CHIP;C104Z,100NF,16V"	CL05F104ZONC
292	C311	2203-005483	"C-CERAMIC,CHIP;C683K,68NF,10V"	GRP155R61A683KA01E
298	C312	2404-001086	"C-TA,CHIP;4.7UF/6.3V"	TESVSPOJ475M8RTJ
305	C122	2404-001105	"C-TA,CHIP;10UF/6.3V"	TCSCS0J106MPAR
307	C603	2404-001105	"C-TA,CHIP;10UF/6.3V"	TCSCS0J106MPAR
315	L604	2007-007771	"R-CHIP;0OHM,5%,1/16W,DA,TP,1005 "	RC1005J000CS
316	L605	2007-007771	"R-CHIP;0OHM,5%,1/16W,DA,TP,1005 "	RC1005J000CS
332	L201	3301-001362	CORE-FERRITE BEAD;BLM10A102SGPT	BLM10A102SGPT

3-2 Main Parts List Bottom

NO	Reference	SEC CODE	Part Description	Vendor Part No.
1	D100	0401-001033	DIODE;MCL4154	MCL4154
2	D111	0404-001172	DIODE;RB520S-30	RB520S-30
3	ZD300	0406-001104	DIODE;ESDA6V1-5W6	ESDA6V1-5W6
4	D110	0407-001007	DIODE;UMN1	UMN1
5	Q500	0501-000225	TR-SMALL SIGNAL;2SC4617	2SC4617
6	Q201	0501-002011	TR-SMALL SIGNAL;2SD2114KT146V	2SD2114KT146V
7	Q100	0502-001201	TR-SMALL SIGNAL;ZXT13P20DE6	ZXT13P20DE6
8	U601	0504-001042	TR-SMALL SIGNAL;BCR10PN	BCR10PN
9	U602	0504-001042	TR-SMALL SIGNAL;BCR10PN	BCR10PN
10	U603	0504-001042	TR-SMALL SIGNAL;BCR10PN	BCR10PN
11	U202	0504-001060	TR-SMALL SIGNAL;BCR08PN	BCR08PN
12	U203	0504-001060	TR-SMALL SIGNAL;BCR08PN	BCR08PN
13	U404	0505-001332	TR-SMALL SIGNAL;FDG6301N	FDG6301N
14	U101	0505-001423	TR-SMALL SIGNAL;FDG6323L	FDG6323L
15	U106	0506-001004	TR-SMALL SIGNAL;UMC5NTL	UMC5NTL
16	LED200	0601-001611	LED;SLS-NNWH102TS	SLS-NNWH102TS
17	LED201	0601-001611	LED;SLS-NNWH102TS	SLS-NNWH102TS
18	LED202	0601-001611	LED;SLS-NNWH102TS	SLS-NNWH102TS
19	LED203	0601-001611	LED;SLS-NNWH102TS	SLS-NNWH102TS
20	LED204	0601-001611	LED;SLS-NNWH102TS	SLS-NNWH102TS
21	LED205	0601-001611	LED;SLS-NNWH102TS	SLS-NNWH102TS
22	LED206	0601-001611	LED;SLS-NNWH102TS	SLS-NNWH102TS
23	LED207	0601-001611	LED;SLS-NNWH102TS	SLS-NNWH102TS
24	LED208	0601-001611	LED;SLS-NNWH102TS	SLS-NNWH102TS
25	U200	0801-002540	IC-CMOS LOGIC;NC7SZ19P6X	NC7SZ19P6X
26	U302	0801-002540	IC-CMOS LOGIC;NC7SZ19P6X	NC7SZ19P6X
27	U403	1001-001145	IC-ANALOG SWITCH;MAX4599EXT-T	MAX4599EXT-T
28	U205	1001-001183	IC-ANALOG SWITCH;MAX4684EUB	MAX4684EUB
29	U204	1009-001010	IC-HALL EFFECT S/W;A3212ELH-SAMSUNG	A3212ELH-SAMSUNG
30	U402	1103-001288	"IC;24C512,512KX8BIT,DFN,8P,6X5MM"	24LC512
31	U600	1201-001954	IC-POWER AMP;RF3140	RF3140
32	U105	1203-001454	IC-VOLTAGE REGULATOR;LP2981AIM5X-3.0	LP2981AIM5X-3.0
33	U104	1203-002076	IC-VOLTAGE REGULATOR;LP2985AIM5-3.0	LP2985AIM5-3.0
34	U100	1203-002077	IC-VOLTAGE REGULATOR;LP2985AIM5-3.3	LP2985AIM5-3.3
35	U103	1203-002127	IC-BATTERY;LTC1734ES6-4.2#TR	LTC1734ES6-4.2#TR
36	U102	1203-002156	IC-VOLTAGE REGULATOR;LP3985IM5X-2.5	LP3985IM5X-2.5
37	U108	1203-002156	IC-VOLTAGE REGULATOR;LP3985IM5X-2.5	LP3985IM5X-2.5
38	U400	1203-002187	IC-RESET;MAX6326XR26-T	MAX6326XR26-T
39	U107	1203-002598	IC-VOLTAGE REGULATOR;LP2981AIM5X-2.8	LP2981AIM5X-2.8
40	U301	1204-001960	IC-MELODY;YMU762 MA-3	YMU762 MA-3
41	U401	1205-002035	"IC-COMM. CONTROLLER;VP40581B,FBGA"	VP40581B

NO	Reference	SEC CODE	Part Description	Vendor Part No.
42	U503	1205-002185	IC-INTERFACE;SI4201-BM	SI4201-BM
43	U502	1205-002248	IC-TRANSCIEVER;SI4200DB-BM	SI4200DB-BM
44	U505	1209-001434	IC-PLL/SYNTHESISER;SI4133T-BM	SI4133T-BM
45	TH200	1404-001221	"THERMISTOR-NTC;47Kohm,-,4050K,1mW"	NCP15WB473J04RC
46	V301	1405-001082	VARISTOR;VC040205X150R	VC040205X150R
47	V305	1405-001082	VARISTOR;VC040205X150R	VC040205X150R
48	V400	1405-001082	VARISTOR;VC040205X150R	VC040205X150R
49	V401	1405-001082	VARISTOR;VC040205X150R	VC040205X150R
50	V402	1405-001082	VARISTOR;VC040205X150R	VC040205X150R
51	V403	1405-001082	VARISTOR;VC040205X150R	VC040205X150R
52	V404	1405-001082	VARISTOR;VC040205X150R	VC040205X150R
53	V405	1405-001082	VARISTOR;VC040205X150R	VC040205X150R
54	V406	1405-001082	VARISTOR;VC040205X150R	VC040205X150R
55	V407	1405-001082	VARISTOR;VC040205X150R	VC040205X150R
56	V300	1405-001093	VARISTOR;VC040214X300	VC040214X300
57	V302	1405-001093	VARISTOR;VC040214X300	VC040214X300
58	V303	1405-001093	VARISTOR;VC040214X300	VC040214X300
59	V304	1405-001093	VARISTOR;VC040214X300	VC040214X300
60	V308	1405-001093	VARISTOR;VC040214X300	VC040214X300
61	V202	1405-001121	VARISTOR;AVLC 5S 02 050	AVLC 5S 02 050
62	V203	1405-001121	VARISTOR;AVLC 5S 02 050	AVLC 5S 02 050
63	V204	1405-001121	VARISTOR;AVLC 5S 02 050	AVLC 5S 02 050
64	V210	1405-001121	VARISTOR;AVLC 5S 02 050	AVLC 5S 02 050
65	V220	1405-001121	VARISTOR;AVLC 5S 02 050	AVLC 5S 02 050
66	V290	1405-001121	VARISTOR;AVLC 5S 02 050	AVLC 5S 02 050
67	R244	2007-000138	"R-CHIP;100,5%"	RC1005J101CS
68	R302	2007-000138	"R-CHIP;100,5%"	RC1005J101CS
69	R304	2007-000138	"R-CHIP;100,5%"	RC1005J101CS
70	R518	2007-000138	"R-CHIP;100,5%"	RC1005J101CS
71	R422	2007-000139	"R-CHIP;220,5%"	RC1005J221CS
72	R429	2007-000139	"R-CHIP;220,5%"	RC1005J221CS
73	R100	2007-000140	"R-CHIP;1K,5%"	RC1005J102CS
74	R519	2007-000140	"R-CHIP;1K,5%"	RC1005J102CS
75	R430	2007-000141	"R-CHIP;2.2K,5%"	RC1005J222CS
76	R431	2007-000141	"R-CHIP;2.2K,5%"	RC1005J222CS
77	R515	2007-000141	"R-CHIP;2.2K,5%"	RC1005J222CS
78	R111	2007-000143	"R-CHIP;4.7K,5%"	RC1005J472CS
79	R217	2007-000148	"R-CHIP;10K,5%"	RC1005J103CS
80	R309	2007-000148	"R-CHIP;10K,5%"	RC1005J103CS
81	R413	2007-000148	"R-CHIP;10K,5%"	RC1005J103CS
82	R414	2007-000148	"R-CHIP;10K,5%"	RC1005J103CS
83	R416	2007-000148	"R-CHIP;10K,5%"	RC1005J103CS
84	R505	2007-000148	"R-CHIP;10K,5%"	RC1005J103CS

NO	Refer ence	SEC CODE	Part Description	Vendor Part No.
85	R514	2007-000148	"R-CHIP;10K,5%"	RC1005J103CS
86	R408	2007-000151	"R-CHIP;15K,5%"	RC1005J203CS
87	R421	2007-000152	"R-CHIP;20K,5%"	RC1005J203CS
88	R521	2007-000152	"R-CHIP;20K,5%"	RC1005J203CS
89	R520	2007-000155	"R-CHIP;27K,5%"	RC1005J473CS
90	R101	2007-000157	"R-CHIP;47K,5%"	RC1005J473CS
91	R216	2007-000157	"R-CHIP;47K,5%"	RC1005J473CS
92	R424	2007-000157	"R-CHIP;47K,5%"	RC1005J473CS
93	R692	2007-000157	"R-CHIP;47K,5%"	RC1005J473CS
94	R205	2007-007538	"R-CHIP;56K,1%"	MCR01MZSF5602
95	R105	2007-000162	"R-CHIP;100K,5%"	RC1005J104CS
96	R106	2007-000162	"R-CHIP;100K,5%"	RC1005J104CS
97	R107	2007-000162	"R-CHIP;100K,5%"	RC1005J104CS
98	R108	2007-000162	"R-CHIP;100K,5%"	RC1005J104CS
99	R109	2007-000162	"R-CHIP;100K,5%"	RC1005J104CS
100	R110	2007-000162	"R-CHIP;100K,5%"	RC1005J104CS
101	R208	2007-000162	"R-CHIP;100K,5%"	RC1005J104CS
102	R209	2007-000162	"R-CHIP;100K,5%"	RC1005J104CS
103	R218	2007-000162	"R-CHIP;100K,5%"	RC1005J104CS
104	R307	2007-000162	"R-CHIP;100K,5%"	RC1005J104CS
105	R310	2007-000162	"R-CHIP;100K,5%"	RC1005J104CS
106	R409	2007-000162	"R-CHIP;100K,5%"	RC1005J104CS
107	R411	2007-000162	"R-CHIP;100K,5%"	RC1005J104CS
108	R412	2007-000162	"R-CHIP;100K,5%"	RC1005J104CS
109	R415	2007-000162	"R-CHIP;100K,5%"	RC1005J104CS
110	R417	2007-000162	"R-CHIP;100K,5%"	RC1005J104CS
111	R418	2007-000162	"R-CHIP;100K,5%"	RC1005J104CS
112	R419	2007-000162	"R-CHIP;100K,5%"	RC1005J104CS
113	R426	2007-000162	"R-CHIP;100K,5%"	RC1005J104CS
114	R432	2007-000162	"R-CHIP;100K,5%"	RC1005J104CS
115	R434	2007-000162	"R-CHIP;100K,5%"	RC1005J104CS
116	R436	2007-000162	"R-CHIP;100K,5%"	RC1005J104CS
117	R438	2007-000162	"R-CHIP;100K,5%"	RC1005J104CS
118	R439	2007-000162	"R-CHIP;100K,5%"	RC1005J104CS
119	R425	2007-000168	"R-CHIP;470K,5%"	RC1005J100CS
120	R502	2007-000172	"R-CHIP;10,5%"	RC1005J104CS
121	R513	2007-001244	"R-CHIP;91K,5%"	RC1005J100CS
122	R236	2007-001288	"R-CHIP;18,5%"	RC1005J913CS
123	R237	2007-001288	"R-CHIP;18,5%"	RC1005J913CS
124	R507	2007-001288	"R-CHIP;18,5%"	RC1005J913CS
125	R517	2007-001298	"R-CHIP;51,5%"	RC1005J510CS
126	R522	2007-001298	"R-CHIP;51,5%"	RC1005J510CS
127	R523	2007-001298	"R-CHIP;51,5%"	RC1005J510CS

NO	Reference	SEC CODE	Part Description	Vendor Part No.
128	R314	2007-001325	"R-CHIP;3.3K,5%"	MCR01MZSJ511
129	R423	2007-002796	"R-CHIP;510,5%"	MCR01MZSJ511
130	R427	2007-002796	"R-CHIP;510,5%"	MCR01MZSJ511
131	R509	2007-007008	"R-CHIP;300,5%"	RC1005J301CS
132	R510	2007-007008	"R-CHIP;300,5%"	RC1005J301CS
133	R211	2007-007009	"R-CHIP;75ohm,5%"	RC1005J750CS
134	R212	2007-007009	"R-CHIP;75ohm,5%"	RC1005J750CS
135	R213	2007-001290	"R-CHIP;24ohm,5%"	RC1005J240CS
136	R214	2007-001290	"R-CHIP;24ohm,5%"	RC1005J240CS
137	R215	2007-007009	"R-CHIP;75ohm,5%"	RC1005J750CS
138	R240	2007-007009	"R-CHIP;75ohm,5%"	RC1005J750CS
139	R241	2007-001290	"R-CHIP;24ohm,5%"	RC1005J240CS
140	R242	2007-007009	"R-CHIP;75ohm,5%"	RC1005J750CS
141	R243	2007-007009	"R-CHIP;75ohm,5%"	RC1005J750CS
142	R503	2007-007095	"R-CHIP;390,5%"	RC1005J391CS
143	R504	2007-007095	"R-CHIP;390,5%"	RC1005J391CS
144	R104	2007-007107	"R-CHIP;100K,1%"	RC1005F1003CS
145	R607	2007-007107	"R-CHIP;100K,1%"	RC1005F1003CS
146	R608	2007-007107	"R-CHIP;100K,1%"	RC1005F1003CS
147	R317	2007-007137	"R-CHIP;1.2K,1%"	MCR01MZSF1202
148	R319	2007-007137	"R-CHIP;1.2K,1%"	MCR01MZSF1202
149	R604	2007-007142	"R-CHIP;10K,1%"	MCR01MZSF1202
150	R690	2007-007309	"R-CHIP;12K,1%"	MCR01MZSF1202
151	R691	2007-007309	"R-CHIP;12K,1%"	MCR01MZSF1202
152	R318	2007-007313	"R-CHIP;6.8K,1%"	MCR01MZSF2201
153	R400	2007-007317	"R-CHIP;2.2K,1%"	MCR01MZSF2201
154	R401	2007-007317	"R-CHIP;2.2K,1%"	MCR01MZSF2201
155	R402	2007-007317	"R-CHIP;2.2K,1%"	MCR01MZSF2201
156	R403	2007-007317	"R-CHIP;2.2K,1%"	MCR01MZSF2201
157	R404	2007-007318	"R-CHIP;1K,1%"	RK73H1ETP1001F
158	R406	2007-007318	"R-CHIP;1K,1%"	RK73H1ETP1001F
159	R407	2007-007318	"R-CHIP;1K,1%"	RK73H1ETP1001F
160	R410	2007-007318	"R-CHIP;1K,1%"	RK73H1ETP1001F
161	R516	2007-007318	"R-CHIP;1K,1%"	RK73H1ETP1001F
162	R112	2007-007590	"R-CHIP;82K,1%"	RC1005J000CS
163	R206	2007-007771	"R-CHIP;0,5%"	RC1005J000CS
164	R312	2007-007771	"R-CHIP;0,5%"	RC1005J000CS
165	R316	2007-007771	"R-CHIP;0,5%"	RC1005J000CS
166	R440	2007-007771	"R-CHIP;0,5%"	RC1005J000CS
167	R511	2007-007771	"R-CHIP;0,5%"	RC1005J000CS
168	R603	2007-007771	"R-CHIP;0,5%"	RC1005J000CS
169	R103	2007-008117	"R-CHIP;2.7K,1%"	RK73H1ETP2701F
170	R311	2011-001344	R-CHIP;EXB28V101JX	EXB28V101JX

NO	Reference	SEC CODE	Part Description	Vendor Part No.
171	R441	2011-001345	R-CHIP;EXB28V103JX	EXB28V103JX
172	C314	2203-002687	"C-CERAMIC,CHIP;1.2nF,10%,50V,X7R,"	CL05B122KBNC
173	C402	2203-000233	"C-CERAMIC,CHIP;C101J,100PF,50V"	CL05C101JBNC
174	C403	2203-000233	"C-CERAMIC,CHIP;C101J,100PF,50V"	CL05C101JBNC
175	C404	2203-000233	"C-CERAMIC,CHIP;C101J,100PF,50V"	CL05C101JBNC
176	C405	2203-000233	"C-CERAMIC,CHIP;C101J,100PF,50V"	CL05C101JBNC
177	C504	2203-000233	"C-CERAMIC,CHIP;C101J,100PF,50V"	CL05C101JBNC
178	C513	2203-000233	"C-CERAMIC,CHIP;C101J,100PF,50V"	CL05C101JBNC
179	C519	2203-000233	"C-CERAMIC,CHIP;C101J,100PF,50V"	CL05C101JBNC
180	C602	2203-000233	"C-CERAMIC,CHIP;C101J,100PF,50V"	CL05C101JBNC
181	C607	2203-000233	"C-CERAMIC,CHIP;C101J,100PF,50V"	CL05C101JBNC
182	C103	2203-000254	"C-CERAMIC,CHIP;C103K,10NF,16V"	CL05B103KONC
183	C104	2203-000254	"C-CERAMIC,CHIP;C103K,10NF,16V"	CL05B103KONC
184	C111	2203-000254	"C-CERAMIC,CHIP;C103K,10NF,16V"	CL05B103KONC
185	C120	2203-000254	"C-CERAMIC,CHIP;C103K,10NF,16V"	CL05B103KONC
186	C150	2203-000254	"C-CERAMIC,CHIP;C103K,10NF,16V"	CL05B103KONC
187	C151	2203-000254	"C-CERAMIC,CHIP;C103K,10NF,16V"	CL05B103KONC
188	C301	2203-000254	"C-CERAMIC,CHIP;C103K,10NF,16V"	CL05B103KONC
189	C408	2203-000254	"C-CERAMIC,CHIP;C103K,10NF,16V"	CL05B103KONC
190	C432	2203-000254	"C-CERAMIC,CHIP;C103K,10NF,16V"	CL05B103KONC
191	C433	2203-000254	"C-CERAMIC,CHIP;C103K,10NF,16V"	CL05B103KONC
192	C435	2203-000254	"C-CERAMIC,CHIP;C103K,10NF,16V"	CL05B103KONC
193	C436	2203-000254	"C-CERAMIC,CHIP;C103K,10NF,16V"	CL05B103KONC
194	C437	2203-000254	"C-CERAMIC,CHIP;C103K,10NF,16V"	CL05B103KONC
195	C441	2203-000254	"C-CERAMIC,CHIP;C103K,10NF,16V"	CL05B103KONC
196	C445	2203-000254	"C-CERAMIC,CHIP;C103K,10NF,16V"	CL05B103KONC
197	C516	2203-000254	"C-CERAMIC,CHIP;C103K,10NF,16V"	CL05B103KONC
198	C517	2203-000254	"C-CERAMIC,CHIP;C103K,10NF,16V"	CL05B103KONC
199	C518	2203-000254	"C-CERAMIC,CHIP;C103K,10NF,16V"	CL05B103KONC
200	C307	2203-000438	"C-CERAMIC,CHIP;C102K,1NF,50V"	CL05B102KBNC
201	C608	2203-000438	"C-CERAMIC,CHIP;C102K,1NF,50V"	CL05B102KBNC
202	C616	2203-000628	"C-CERAMIC,CHIP;C220J,22PF,50V"	GRP1555C1H220JZ01E
203	C617	2203-000628	"C-CERAMIC,CHIP;C220J,22PF,50V"	GRP1555C1H220JZ01E
204	C107	2203-000679	"C-CERAMIC,CHIP;C270J,27PF,50V"	CL05C270JBNC
205	C108	2203-000679	"C-CERAMIC,CHIP;C270J,27PF,50V"	CL05C270JBNC
206	C109	2203-000679	"C-CERAMIC,CHIP;C270J,27PF,50V"	CL05C270JBNC
207	C117	2203-000679	"C-CERAMIC,CHIP;C270J,27PF,50V"	CL05C270JBNC
208	C127	2203-000679	"C-CERAMIC,CHIP;C270J,27PF,50V"	CL05C270JBNC
209	C209	2203-000679	"C-CERAMIC,CHIP;C270J,27PF,50V"	CL05C270JBNC
210	C210	2203-000679	"C-CERAMIC,CHIP;C270J,27PF,50V"	CL05C270JBNC
211	C211	2203-000679	"C-CERAMIC,CHIP;C270J,27PF,50V"	CL05C270JBNC
212	C212	2203-000679	"C-CERAMIC,CHIP;C270J,27PF,50V"	CL05C270JBNC
213	C213	2203-000679	"C-CERAMIC,CHIP;C270J,27PF,50V"	CL05C270JBNC

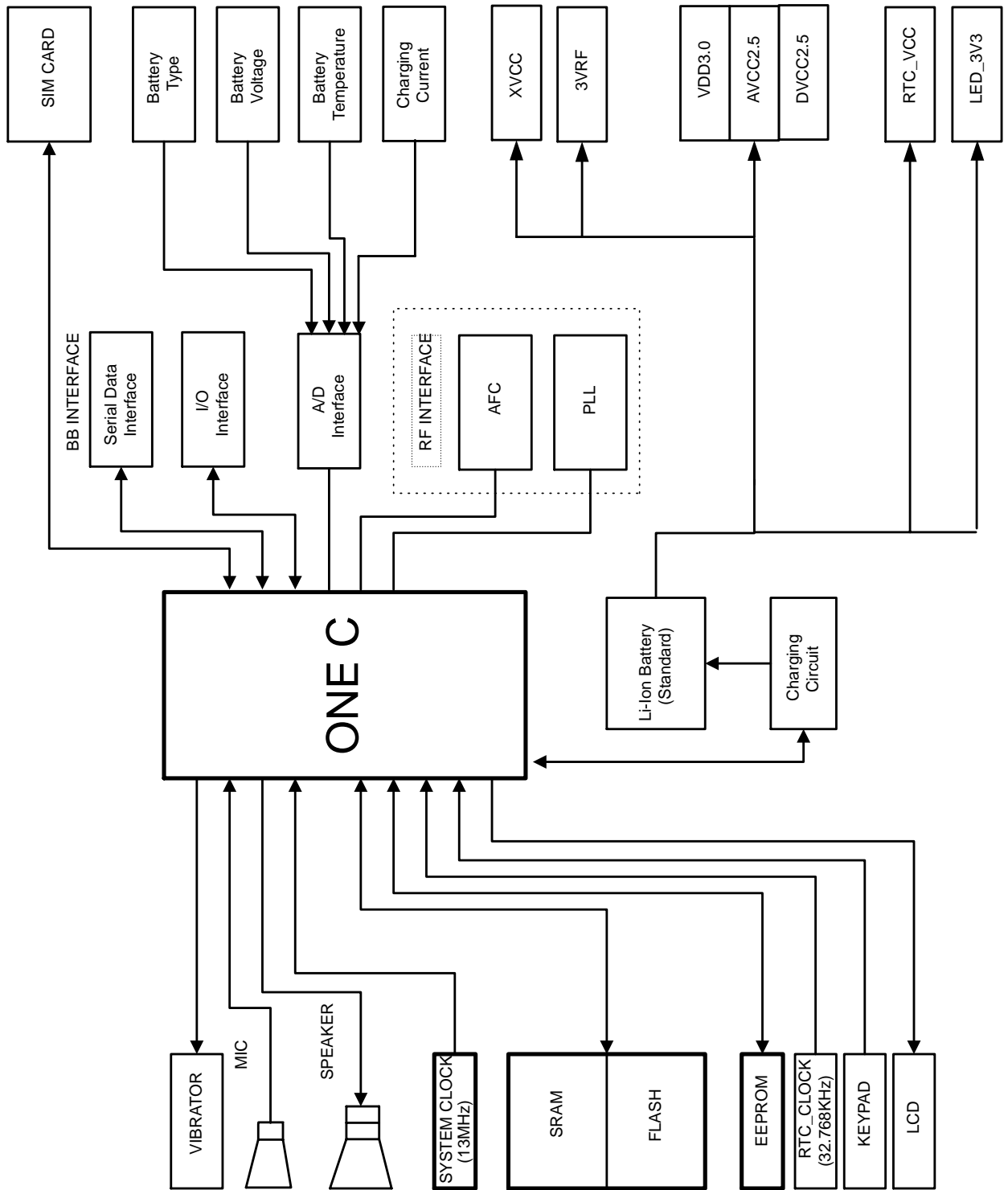
NO	Reference	SEC CODE	Part Description	Vendor Part No.
214	C214	2203-000679	"C-CERAMIC,CHIP;C270J,27PF,50V"	CL05C270JBNC
215	C218	2203-000679	"C-CERAMIC,CHIP;C270J,27PF,50V"	CL05C270JBNC
216	C219	2203-000679	"C-CERAMIC,CHIP;C270J,27PF,50V"	CL05C270JBNC
217	C303	2203-000679	"C-CERAMIC,CHIP;C270J,27PF,50V"	CL05C270JBNC
218	C304	2203-000679	"C-CERAMIC,CHIP;C270J,27PF,50V"	CL05C270JBNC
219	C401	2203-000679	"C-CERAMIC,CHIP;C270J,27PF,50V"	CL05C270JBNC
220	C414	2203-000679	"C-CERAMIC,CHIP;C270J,27PF,50V"	CL05C270JBNC
221	C423	2203-000679	"C-CERAMIC,CHIP;C270J,27PF,50V"	CL05C270JBNC
222	C426	2203-000679	"C-CERAMIC,CHIP;C270J,27PF,50V"	CL05C270JBNC
223	C611	2203-000679	"C-CERAMIC,CHIP;C270J,27PF,50V"	CL05C270JBNC
224	C613	2203-000679	"C-CERAMIC,CHIP;C270J,27PF,50V"	CL05C270JBNC
225	C615	2203-000679	"C-CERAMIC,CHIP;C270J,27PF,50V"	CL05C270JBNC
226	C411	2203-000679	"C-CERAMIC,CHIP;C270J,27PF,50V"	CL05C270JBNC
227	C412	2203-000679	"C-CERAMIC,CHIP;C270J,27PF,50V"	CL05C270JBNC
228	C413	2203-000679	"C-CERAMIC,CHIP;C270J,27PF,50V"	CL05C270JBNC
229	C409	2203-000812	"C-CERAMIC,CHIP;C330J,33PF,50V"	CM05CG330J50AT
230	C430	2203-000812	"C-CERAMIC,CHIP;C330J,33PF,50V"	CM05CG330J50AT
231	C431	2203-000812	"C-CERAMIC,CHIP;C330J,33PF,50V"	CM05CG330J50AT
232	C434	2203-000812	"C-CERAMIC,CHIP;C330J,33PF,50V"	CM05CG330J50AT
233	C438	2203-000812	"C-CERAMIC,CHIP;C330J,33PF,50V"	CM05CG330J50AT
234	C439	2203-000812	"C-CERAMIC,CHIP;C330J,33PF,50V"	CM05CG330J50AT
235	C440	2203-000812	"C-CERAMIC,CHIP;C330J,33PF,50V"	CM05CG330J50AT
236	C443	2203-000812	"C-CERAMIC,CHIP;C330J,33PF,50V"	CM05CG330J50AT
237	C444	2203-000812	"C-CERAMIC,CHIP;C330J,33PF,50V"	CM05CG330J50AT
238	C507	2203-000812	"C-CERAMIC,CHIP;C330J,33PF,50V"	CM05CG330J50AT
239	C511	2203-000812	"C-CERAMIC,CHIP;C330J,33PF,50V"	CM05CG330J50AT
240	C601	2203-000812	"C-CERAMIC,CHIP;C330J,33PF,50V"	CM05CG330J50AT
241	C612	2203-000812	"C-CERAMIC,CHIP;C330J,33PF,50V"	CM05CG330J50AT
242	C614	2203-000812	"C-CERAMIC,CHIP;C330J,33PF,50V"	CM05CG330J50AT
243	C630	2203-000812	"C-CERAMIC,CHIP;C330J,33PF,50V"	CM05CG330J50AT
244	C410	2203-000854	"C-CERAMIC,CHIP;C390J,39PF,50V"	CL05C390JBNC
245	C421	2203-000854	"C-CERAMIC,CHIP;C390J,39PF,50V"	CL05C390JBNC
246	C424	2203-000854	"C-CERAMIC,CHIP;C390J,39PF,50V"	CL05C390JBNC
247	C428	2203-000854	"C-CERAMIC,CHIP;C390J,39PF,50V"	CL05C390JBNC
248	C429	2203-000854	"C-CERAMIC,CHIP;C390J,39PF,50V"	CL05C390JBNC
249	C416	2203-000995	"C-CERAMIC,CHIP;C470J,47PF,50V"	GRP1555C1H470JZ01E
250	C422	2203-001017	"C-CERAMIC,CHIP;C040C,4PF,50V"	GRP1555C1H4R0C
251	C425	2203-001017	"C-CERAMIC,CHIP;C040C,4PF,50V"	GRP1555C1H4R0C
252	C302	2203-001153	"C-CERAMIC,CHIP;C680J,68PF,50V"	CL05C680JBNC
253	C316	2203-001153	"C-CERAMIC,CHIP;C680J,68PF,50V"	CL05C680JBNC
254	C317	2203-001153	"C-CERAMIC,CHIP;C680J,68PF,50V"	CL05C680JBNC
255	C500	2203-001405	"C-CERAMIC,CHIP;C223Z,22NF,25V"	CL05F223ZANC
256	C501	2203-001405	"C-CERAMIC,CHIP;C223Z,22NF,25V"	CL05F223ZANC

NO	Reference	SEC CODE	Part Description	Vendor Part No.
257	C508	2203-001405	"C-CERAMIC,CHIP;C223Z,22NF,25V"	CL05F223ZANC
258	C509	2203-001405	"C-CERAMIC,CHIP;C223Z,22NF,25V"	CL05F223ZANC
259	C510	2203-001405	"C-CERAMIC,CHIP;C223Z,22NF,25V"	CL05F223ZANC
260	C512	2203-001405	"C-CERAMIC,CHIP;C223Z,22NF,25V"	CL05F223ZANC
261	C514	2203-001405	"C-CERAMIC,CHIP;C223Z,22NF,25V"	CL05F223ZANC
262	C515	2203-001405	"C-CERAMIC,CHIP;C223Z,22NF,25V"	CL05F223ZANC
263	C203	2203-002443	"C-CERAMIC,CHIP;C331K,330PF,50V"	CL05B331KBNC
264	C400	2203-003054	"C-CERAMIC,CHIP;C090C,9PF,50V"	CL05C090CBNC
265	C442	2203-003054	"C-CERAMIC,CHIP;C090C,9PF,50V"	CL05C090CBNC
266	C505	2203-005050	"C-CERAMIC,CHIP;C1R8C,1.8PF,50V"	CL05C1R8CBNC
267	C506	2203-005050	"C-CERAMIC,CHIP;C1R8C,1.8PF,50V"	CL05C1R8CBNC
268	C102	2203-005061	"C-CERAMIC,CHIP;C104Z,100NF,16V"	CL05F104ZONC
269	C112	2203-005061	"C-CERAMIC,CHIP;C104Z,100NF,16V"	CL05F104ZONC
270	C116	2203-005061	"C-CERAMIC,CHIP;C104Z,100NF,16V"	CL05F104ZONC
271	C118	2203-005061	"C-CERAMIC,CHIP;C104Z,100NF,16V"	CL05F104ZONC
272	C123	2203-005061	"C-CERAMIC,CHIP;C104Z,100NF,16V"	CL05F104ZONC
273	C124	2203-005061	"C-CERAMIC,CHIP;C104Z,100NF,16V"	CL05F104ZONC
274	C128	2203-005061	"C-CERAMIC,CHIP;C104Z,100NF,16V"	CL05F104ZONC
275	C201	2203-005061	"C-CERAMIC,CHIP;C104Z,100NF,16V"	CL05F104ZONC
276	C202	2203-005061	"C-CERAMIC,CHIP;C104Z,100NF,16V"	CL05F104ZONC
277	C217	2203-005061	"C-CERAMIC,CHIP;C104Z,100NF,16V"	CL05F104ZONC
278	C300	2203-005061	"C-CERAMIC,CHIP;C104Z,100NF,16V"	CL05F104ZONC
279	C305	2203-005061	"C-CERAMIC,CHIP;C104Z,100NF,16V"	CL05F104ZONC
280	C309	2203-005061	"C-CERAMIC,CHIP;C104Z,100NF,16V"	CL05F104ZONC
281	C310	2203-005061	"C-CERAMIC,CHIP;C104Z,100NF,16V"	CL05F104ZONC
282	C313	2203-005061	"C-CERAMIC,CHIP;C104Z,100NF,16V"	CL05F104ZONC
283	C106	2203-005065	"C-CERAMIC,CHIP;C105Z,1UF,10V"	CL10F105ZPNC
284	C115	2203-005065	"C-CERAMIC,CHIP;C105Z,1UF,10V"	CL10F105ZPNC
285	C125	2203-005065	"C-CERAMIC,CHIP;C105Z,1UF,10V"	CL10F105ZPNC
286	C502	2203-005234	"C-CERAMIC,CHIP;C1R2C,1.2PF,50V"	CL05C1R2CBNC
287	C503	2203-005234	"C-CERAMIC,CHIP;C1R2C,1.2PF,50V"	CL05C1R2CBNC
288	C427	2203-005444	"C-CERAMIC,CHIP;C030B,3PF,50V"	GRP155C1H3R0BZ01E
289	C415	2203-005480	"C-CERAMIC,CHIP;C333K,33NF,10V"	GRP155R71A333KA01E
290	C420	2203-005480	"C-CERAMIC,CHIP;C333K,33NF,10V"	GRP155R71A333KA01E
291	C446	2203-005481	"C-CERAMIC,CHIP;C473K,47NF,10V"	GRP155R71A473KA01E
292	C311	2203-005483	"C-CERAMIC,CHIP;C683K,68NF,10V"	GRP155R61A683KA01E
293	C315	2203-005496	"C-CERAMIC,CHIP;C224Z,220NF,10V"	GRP155F51A224ZD02E
294	C406	2203-005503	"C-CERAMIC,CHIP;C1801J,180PF,25V"	CL05C181JANC
295	C407	2203-005503	"C-CERAMIC,CHIP;C1801J,180PF,25V"	CL05C181JANC
296	C105	2203-006093	"C-CERAMIC,CHIP;C105Z,1000NF,6.3V"	1000 NF : GRP155F50J105Z
297	C691	2203-006093	"C-CERAMIC,CHIP;C105Z,1000NF,6.3V"	1000 NF : GRP155F50J105Z
298	C312	2404-001086	"C-TA,CHIP;4.7UF/6.3V"	TESVSP0J475M8RTJ
299	C119	2404-001101	"C-TA,CHIP;1UF/16V"	TCSCS1C105PAS

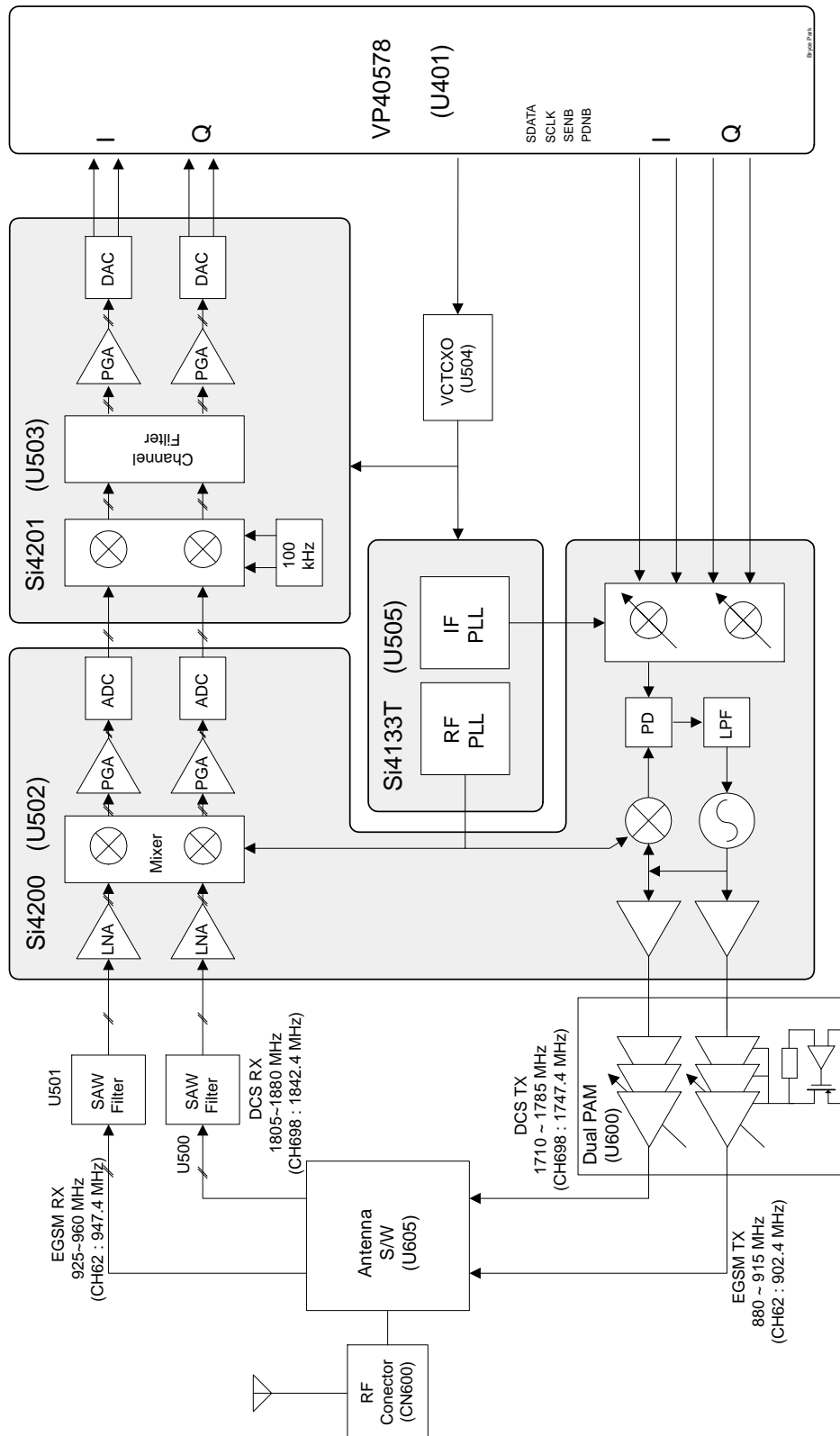
NO	Reference	SEC CODE	Part Description	Vendor Part No.
300	C160	2404-001101	"C-TA,CHIP;1UF/16V"	TCSCS1C105PAS
301	C101	2404-001105	"C-TA,CHIP;10UF/6.3V"	TCSCS0J106MPAR
302	C113	2404-001105	"C-TA,CHIP;10UF/6.3V"	TCSCS0J106MPAR
303	C114	2404-001105	"C-TA,CHIP;10UF/6.3V"	TCSCS0J106MPAR
304	C121	2404-001105	"C-TA,CHIP;10UF/6.3V"	TCSCS0J106MPAR
305	C122	2404-001105	"C-TA,CHIP;10UF/6.3V"	TCSCS0J106MPAR
306	C126	2404-001105	"C-TA,CHIP;10UF/6.3V"	TCSCS0J106MPAR
307	C603	2404-001105	"C-TA,CHIP;10UF/6.3V"	TCSCS0J106MPAR
308	C417	2404-001162	"C-TA,CHIP;F950G476MAAJZTQ2"	F950G476MAAJZTQ2
309	C100	2404-001239	"C-TA,CHIP;100UF/6.3V"	F950J107MBAAQ2
310	C600	2404-001239	"C-TA,CHIP;100UF/6.3V"	F950J107MBAAQ2
311	L504	2703-001749	INDUCTOR-SMD;LL1005-FH1N0S	LL1005-FH1N0S
312	L300	2703-001752	INDUCTOR-SMD;LL1005-FH39NJ	LL1005-FH39NJ
313	L410	2703-001938	INDUCTOR-SMD;LL1005-FH56NJ	LL1005-FH56NJ
314	L502	2703-001943	INDUCTOR-SMD;HK1005-10NJ-T	HK1005-10NJ-T
315	L604	2007-007771	"R-CHIP;0OHM,5%,1/16W,DA,TP,1005 "	RC1005J000CS
316	L605	2007-007771	"R-CHIP;0OHM,5%,1/16W,DA,TP,1005 "	RC1005J000CS
317	L503	2703-002205	INDUCTOR-SMD;CIH05T3N9KNC	CIH05T3N9KNC
318	L607	2703-002176	INDUCTOR-SMD;CIH05T2N7SNC	CIH05T2N7SNC
319	L606	2703-002199	INDUCTOR-SMD;CIH05T12NKNC	CIH05T12NKNC
320	L500	2703-002484	INDUCTOR-SMD;0402CS-7N5XJBW	0402CS-7N5XJBW
321	L501	2703-002485	INDUCTOR-SMD;0402CS-27NXJBW	0402CS-27NXJBW
322	OSC400	2801-004025	CRYSTAL-SMD;FC-255	FC-255
323	U504	2809-001260	"OSCILLATOR-VCTCXO;13MHZ,3PPM,10K"	TCO-9141B(13MHZ)
324	F200	2901-001234	FILTER;NFA31GD4704704D	NFA31GD4704704D
325	F201	2901-001234	FILTER;NFA31GD4704704D	NFA31GD4704704D
326	F202	2901-001234	FILTER;NFA31GD4704704D	NFA31GD4704704D
327	F203	2901-001234	FILTER;NFA31GD4704704D	NFA31GD4704704D
328	U605	2009-001197	FILTER;LMG002S-5047A	LMG002S-5047A
329	U501	2904-001417	FILTER;B7820	B7820
330	U500	2904-001419	FILTER;B7821	B7821
331	L200	3301-001362	CORE-FERRITE BEAD;BLM10A102SGPT	BLM10A102SGPT
332	L201	3301-001362	CORE-FERRITE BEAD;BLM10A102SGPT	BLM10A102SGPT
333	CN600	3705-001239	CONNECTOR-COAXIAL;MHC-P195	MHC-P195
334	CN100	3709-001229	CONNECTOR;PC-D6-A3-H2.7-S	PC-D6-A3-H2.7-S
335	CN301	3710-001611	CONNECTOR;1005-0018-301	1005-0018-301
336	CN205	3711-005078	CONNECTOR-HEADER;10-5602-034-001-829	14-5602-034-001-829
337	CN300	3711-005197	CONNECTOR-HEADER;BAT-CON3	I/O-3A3-2.5P-H2.6-N
338	EAR400	3722-001715	JACK-PHONE;02-828P0-53BKA	02-828P0-53BKA
339	BAT100	4302-001130	BATTERY-LI;RB414_IV02N	RB414_IV02N
340	U300	1109-001259	"IC-ETC. MEMORY;LRS1815A,4MX"	LRS1815A
341	L601	3301-001630	FERRITE;HF30ACC201209-T	HF30ACC201209-T

4. Block Diagrams

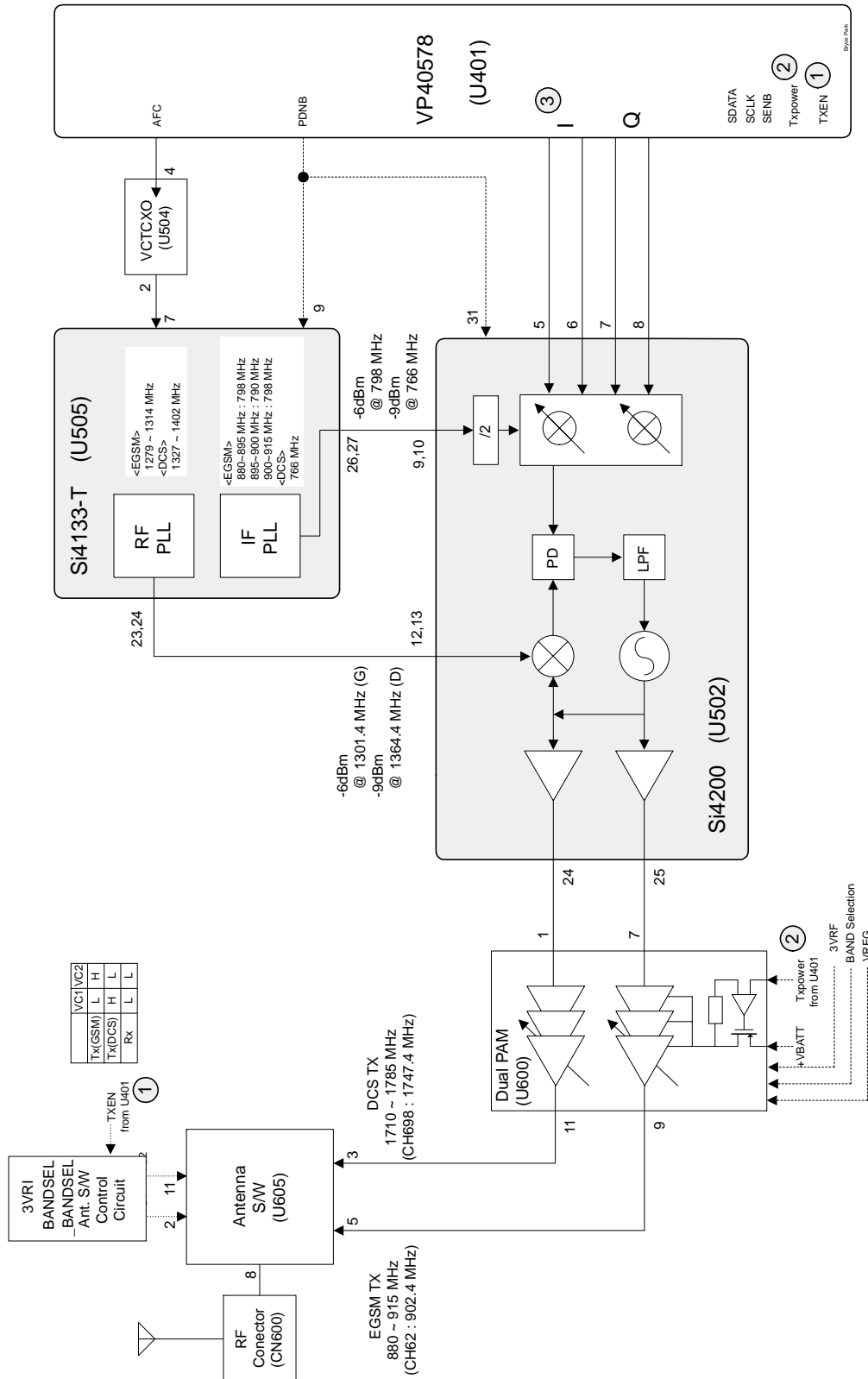
4-1 Main Baseband



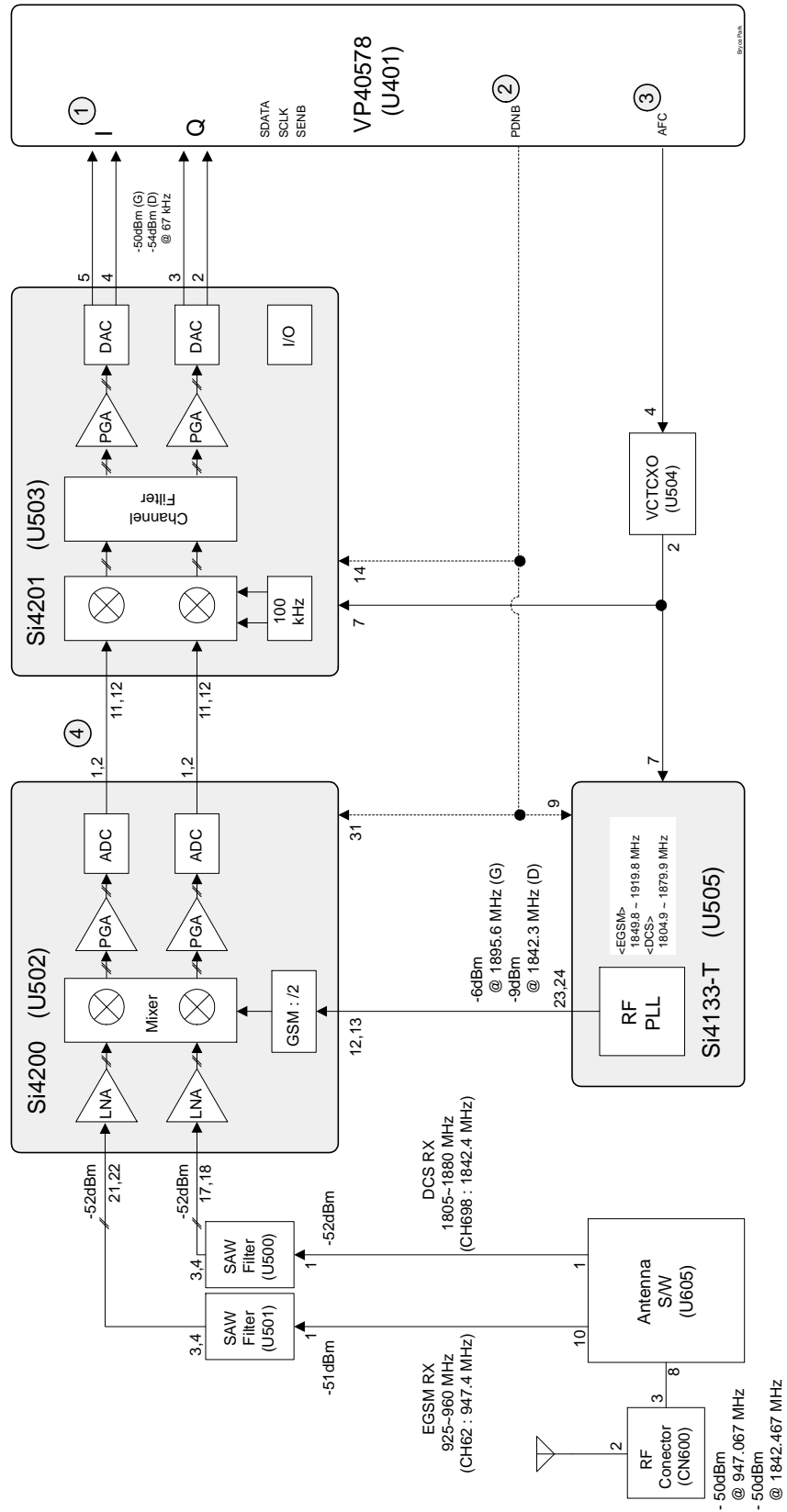
4-2 Main RF



4-2-1 RF Transmit Part

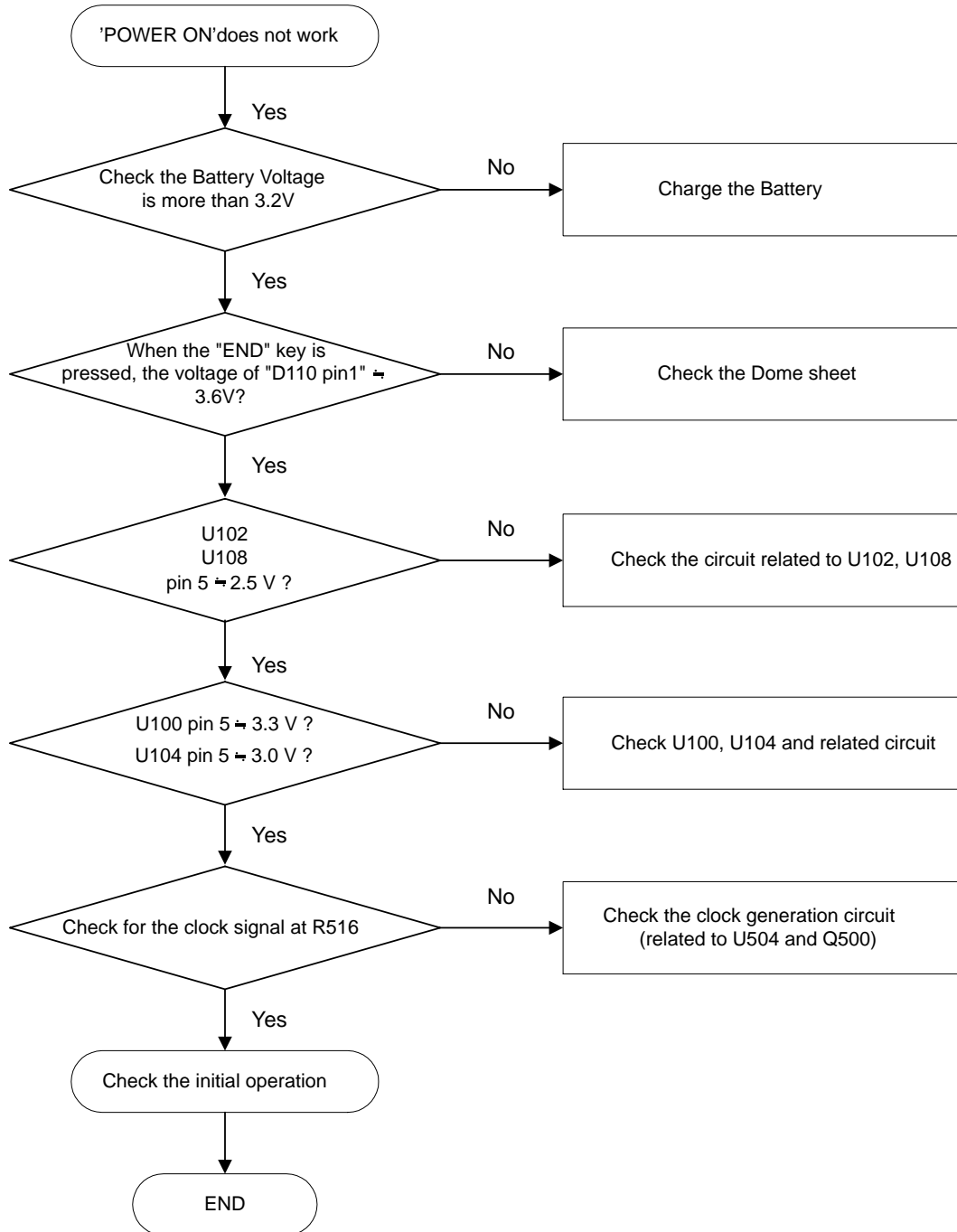


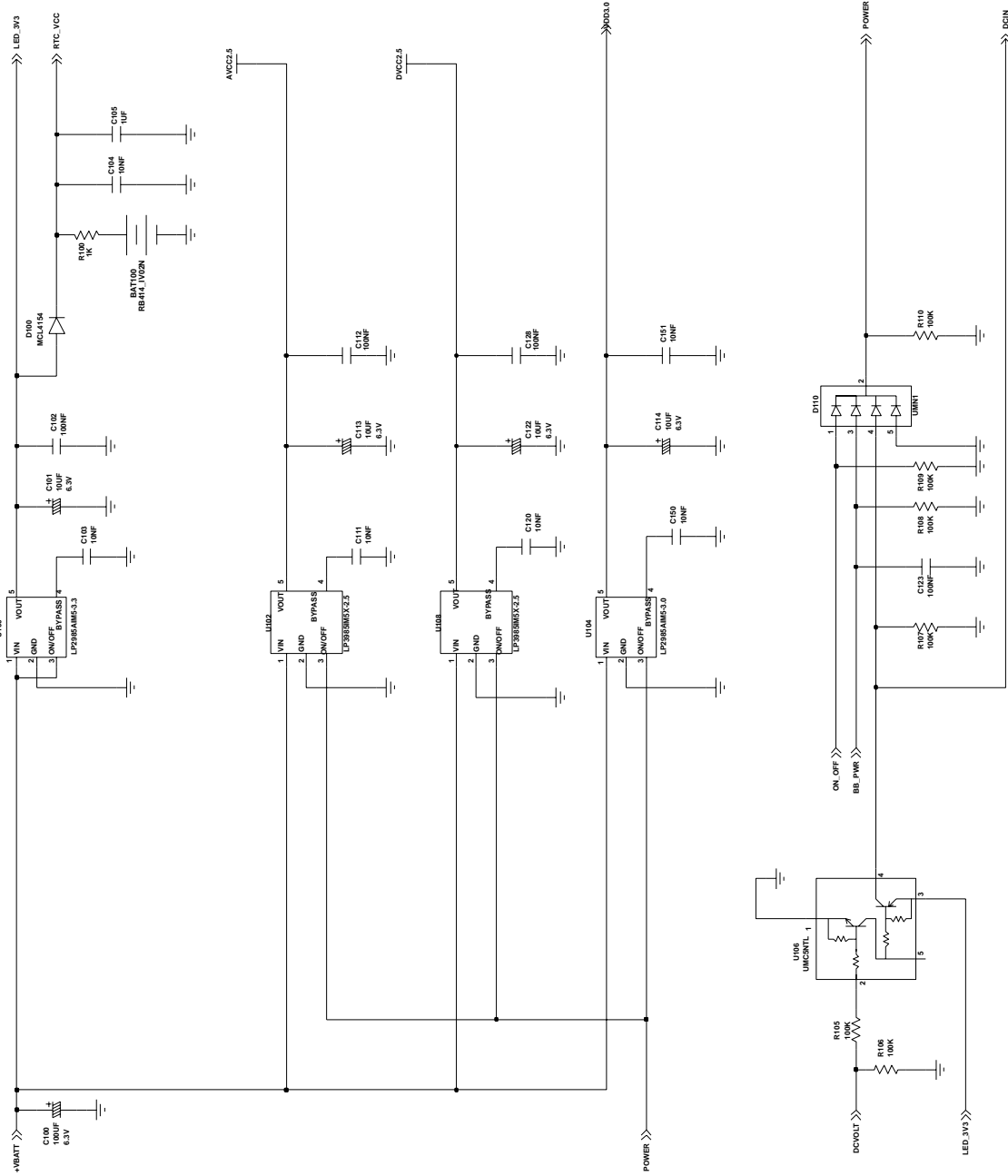
4-2-2 RF Receive Part



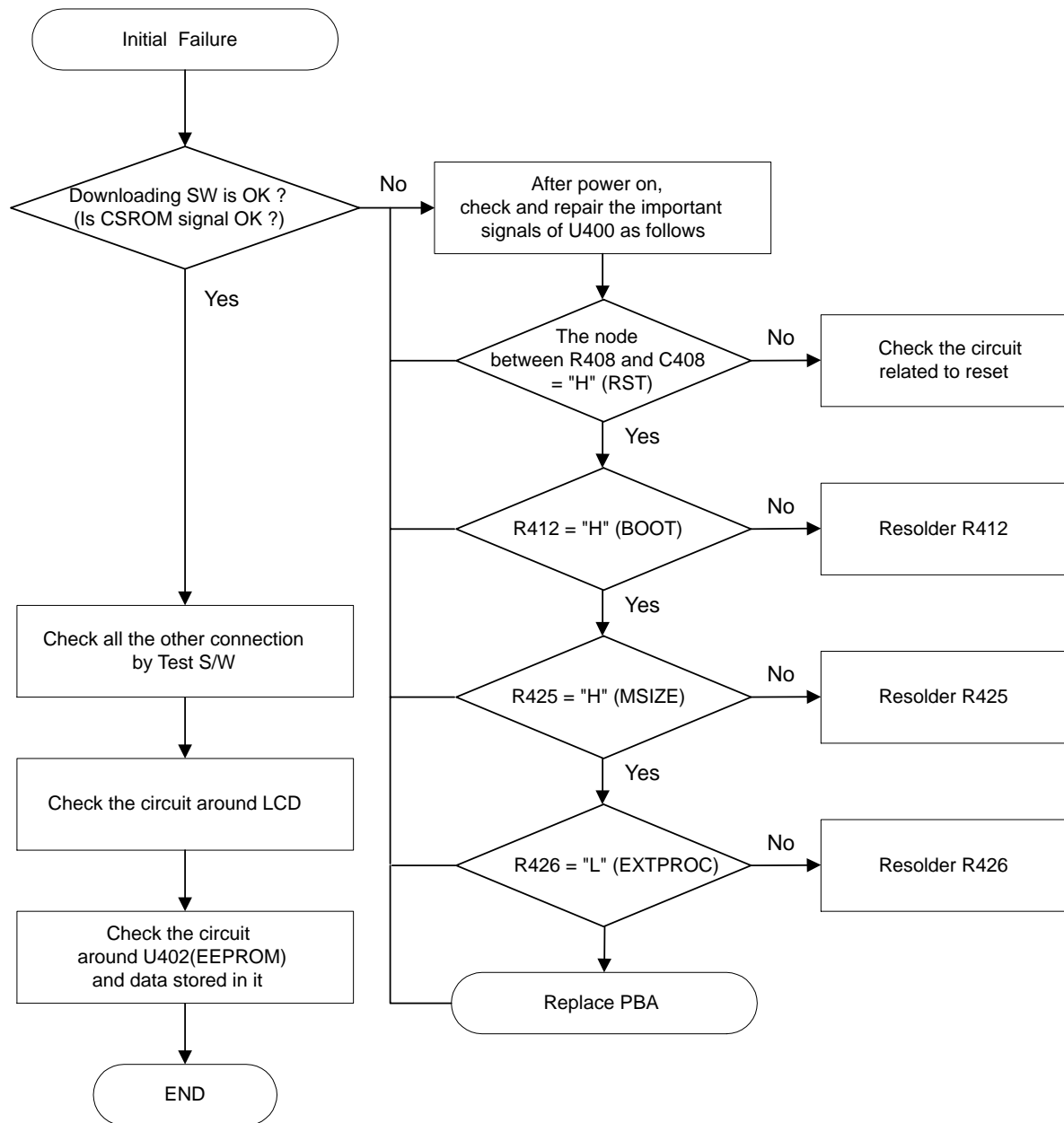
5. Flow Chart of Troubleshooting and Circuit Diagrams

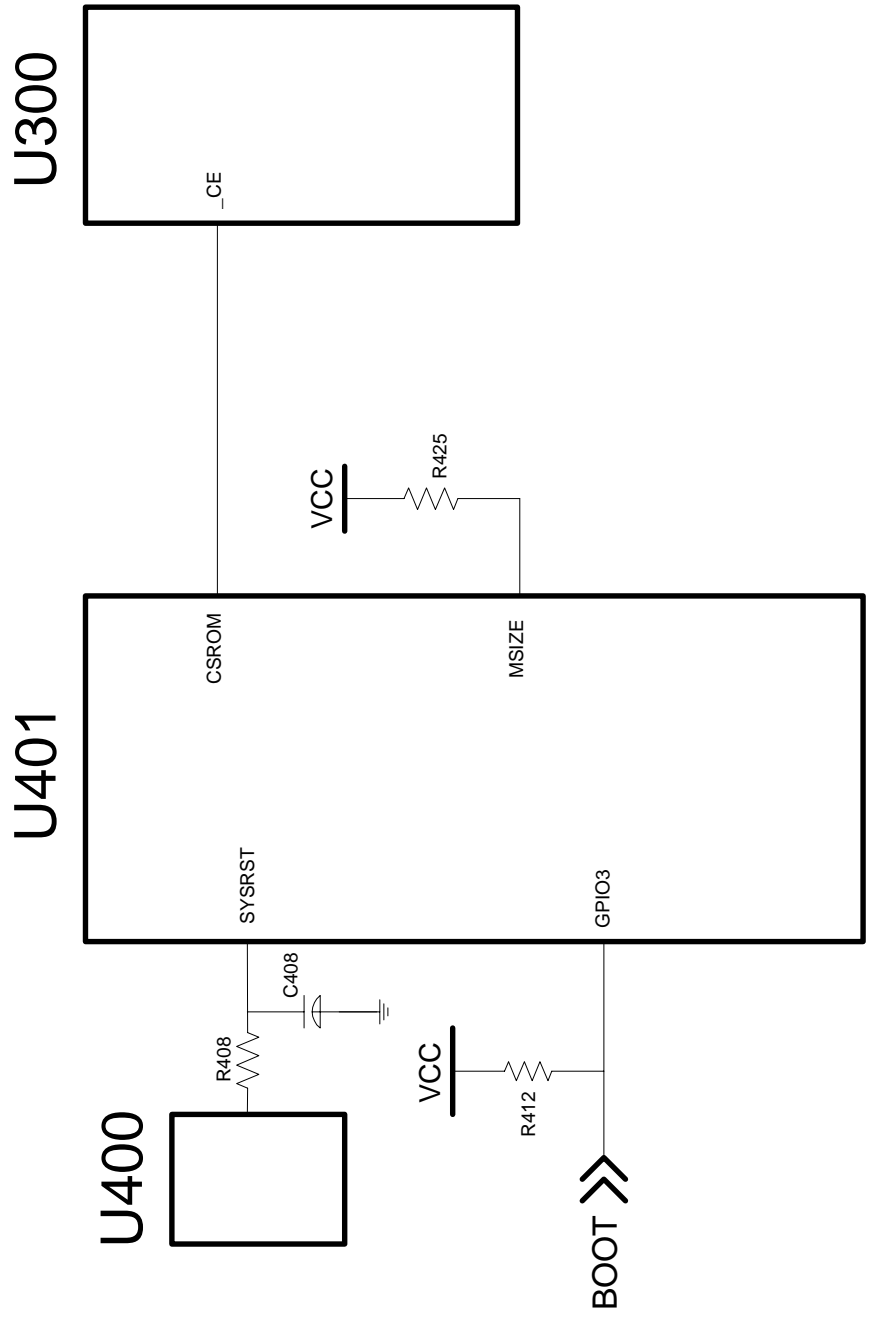
5-1 Power ON



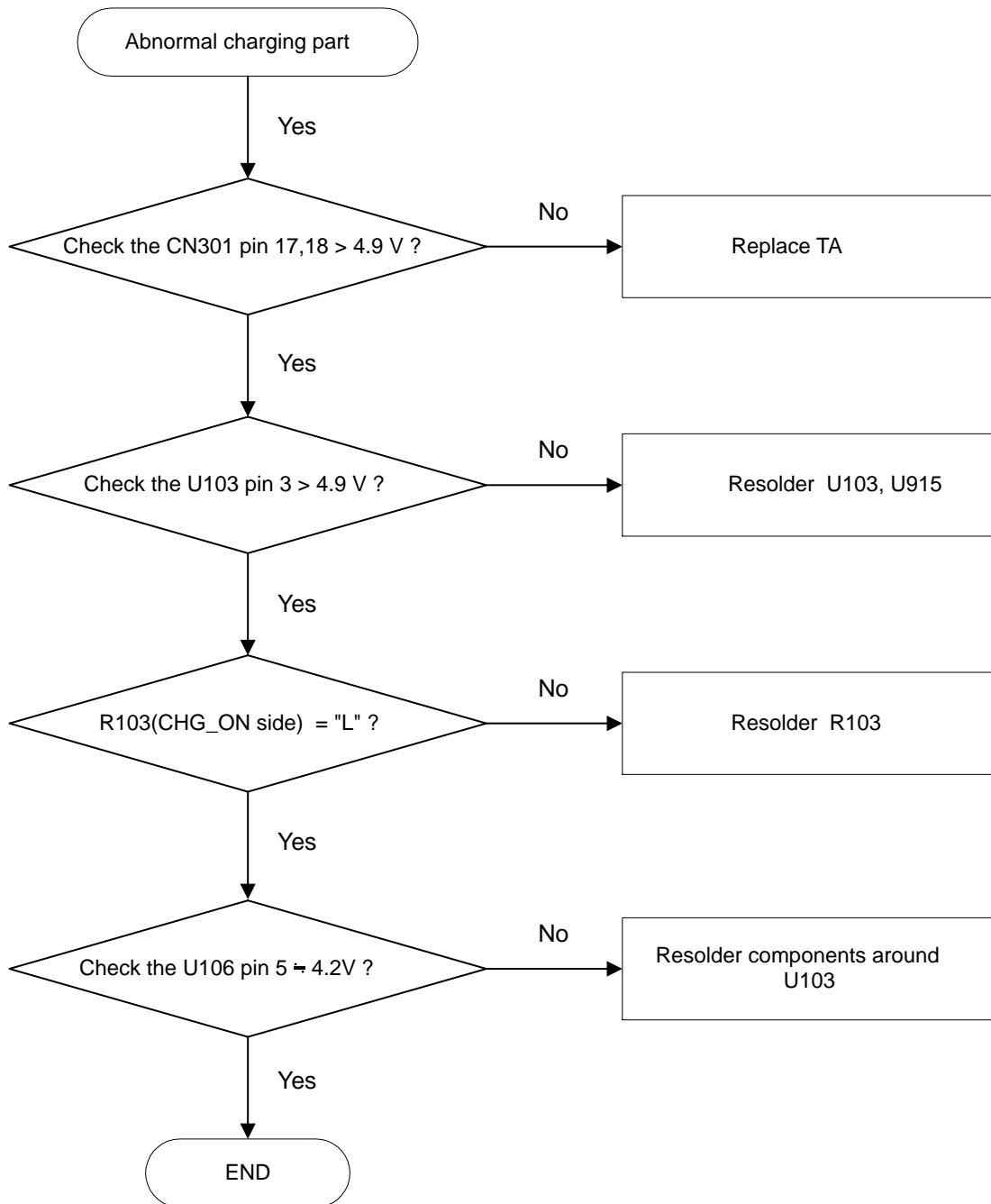


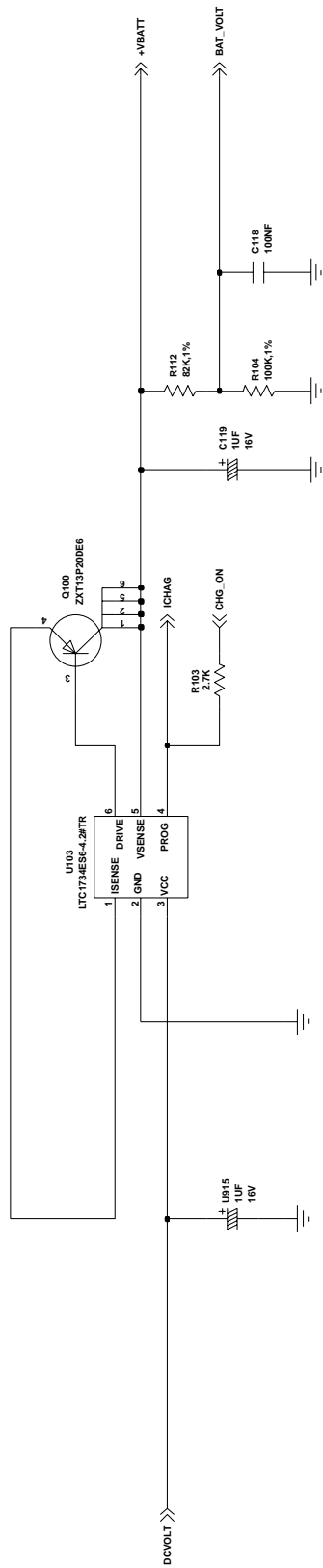
5-2 Initial



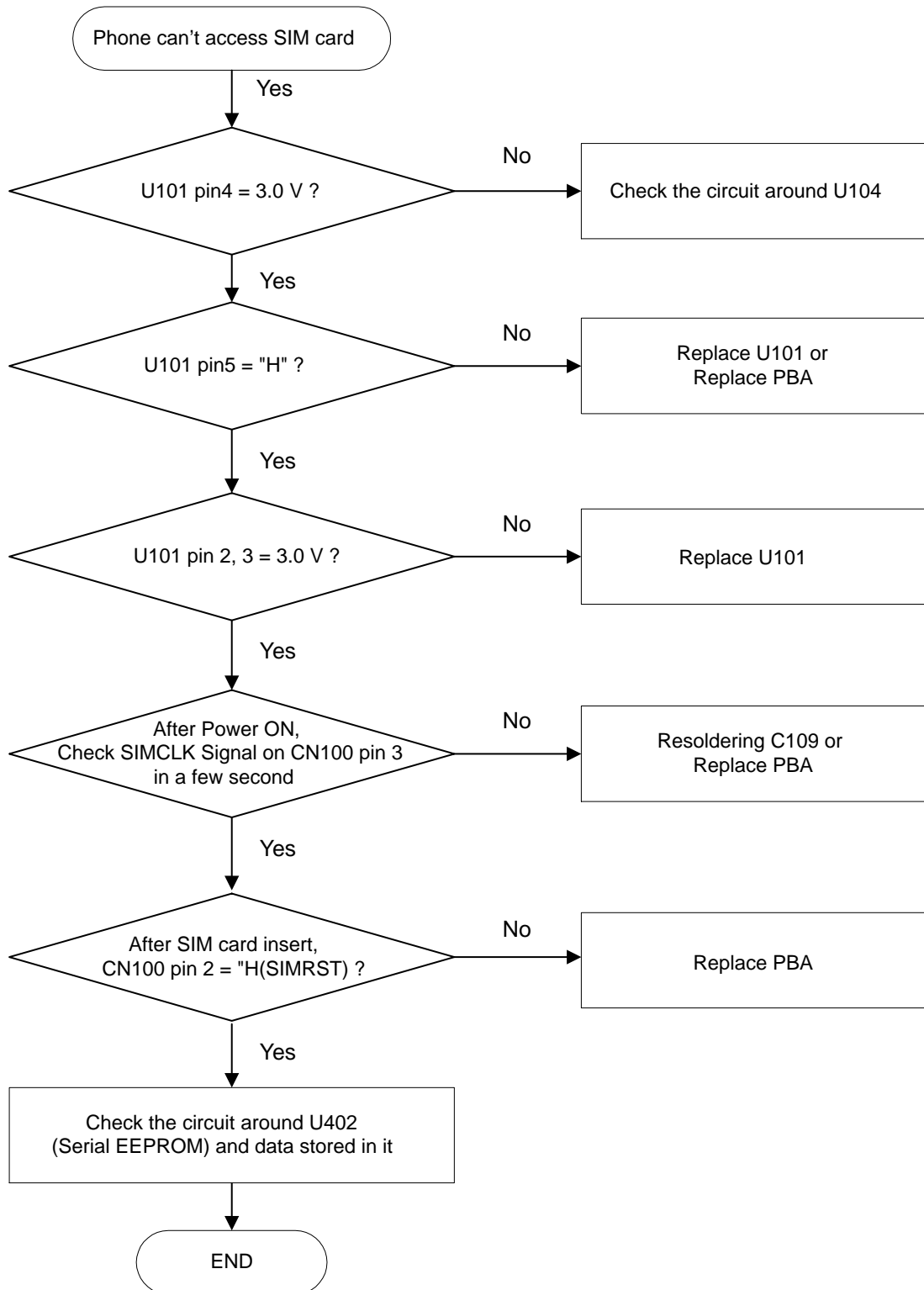


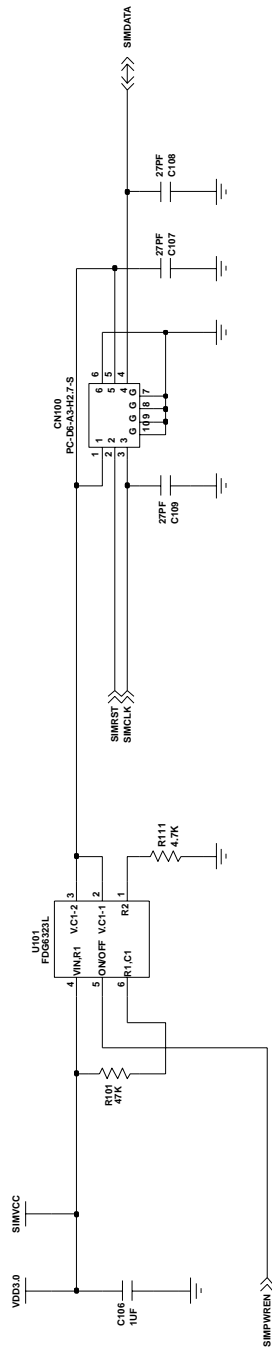
5-3 Charging Part



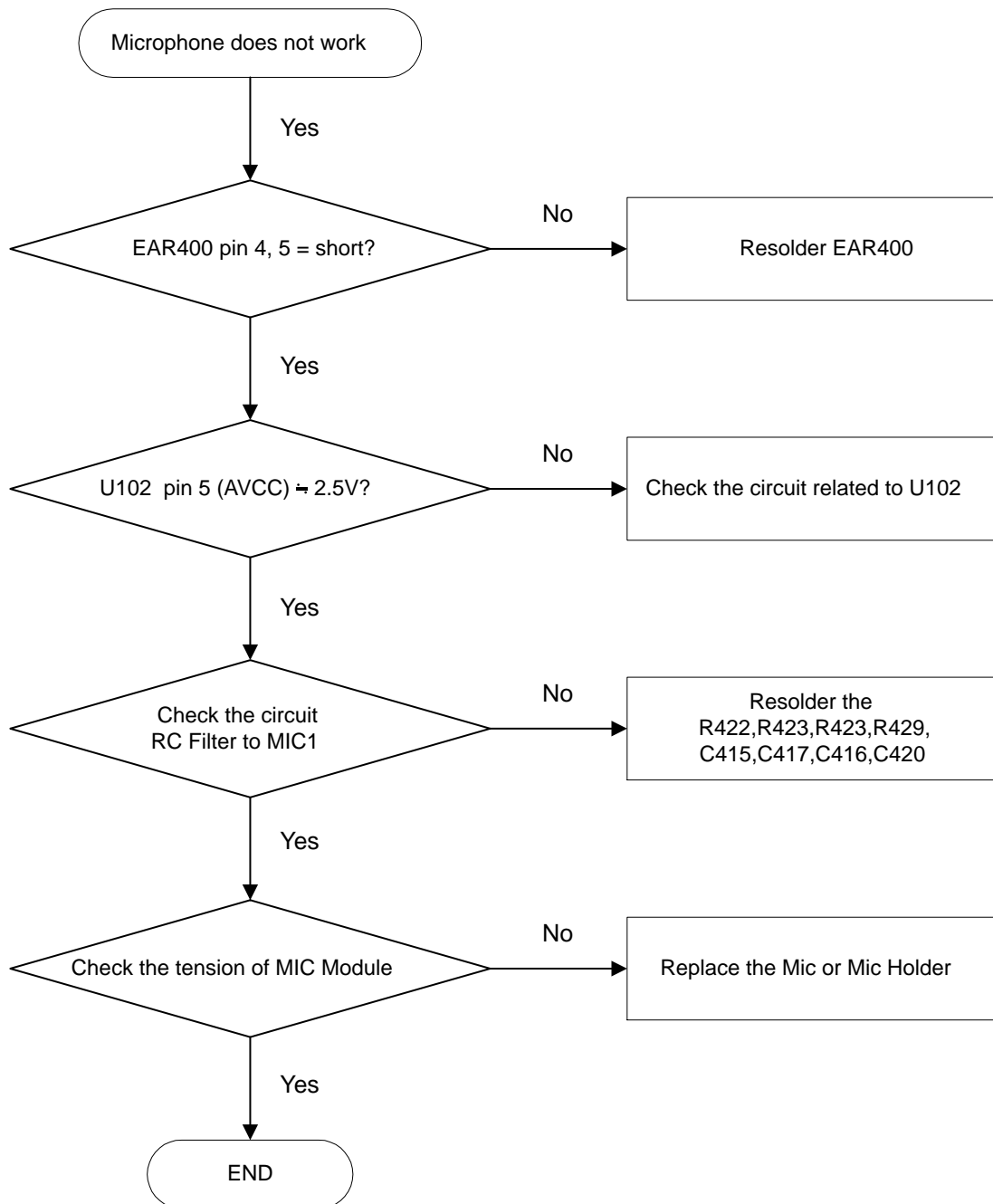


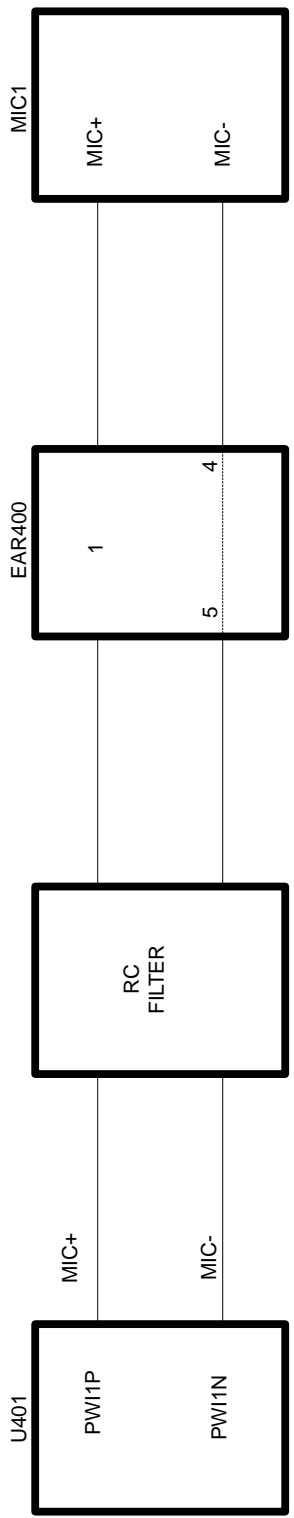
5-4 Sim Part



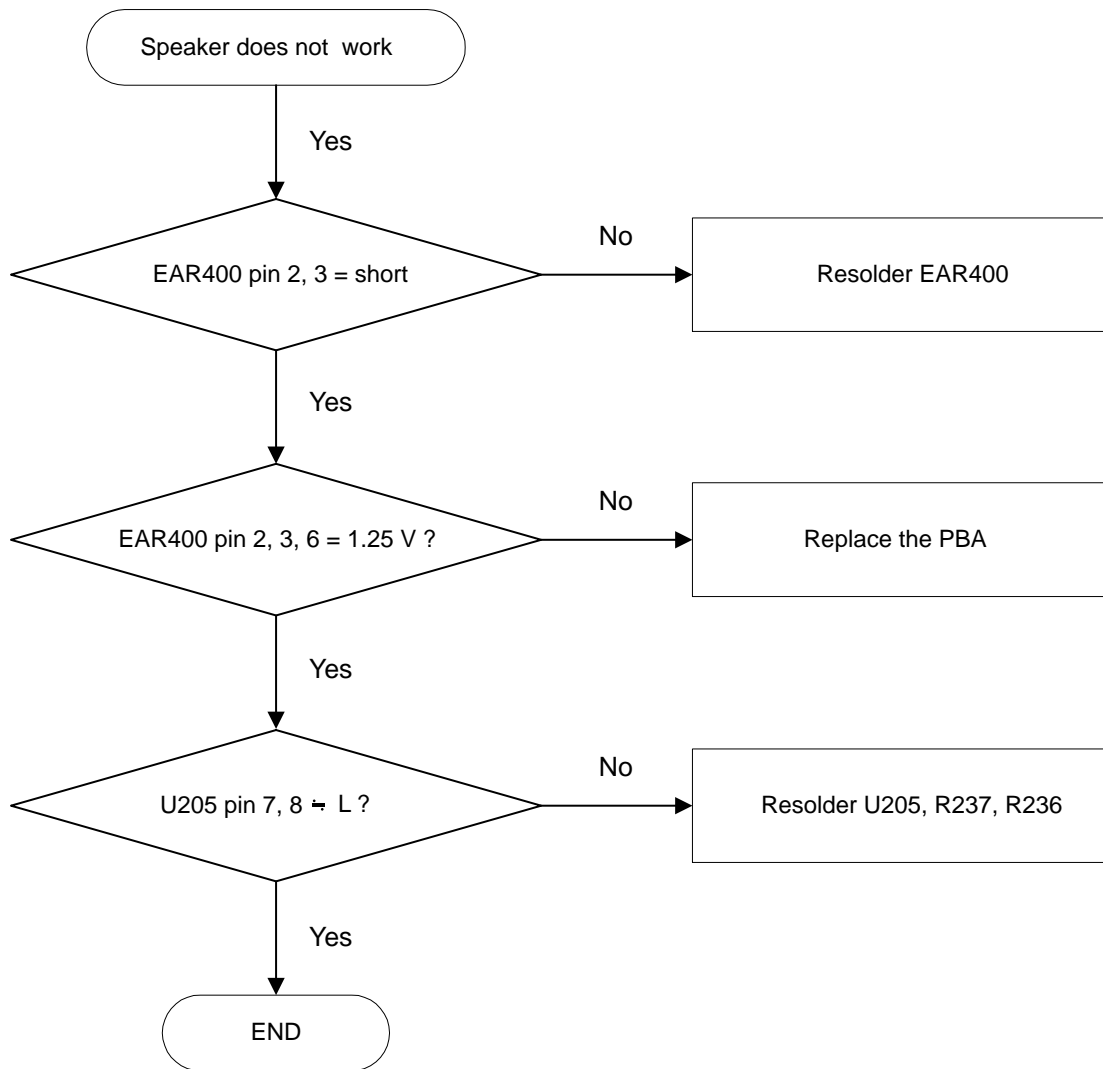


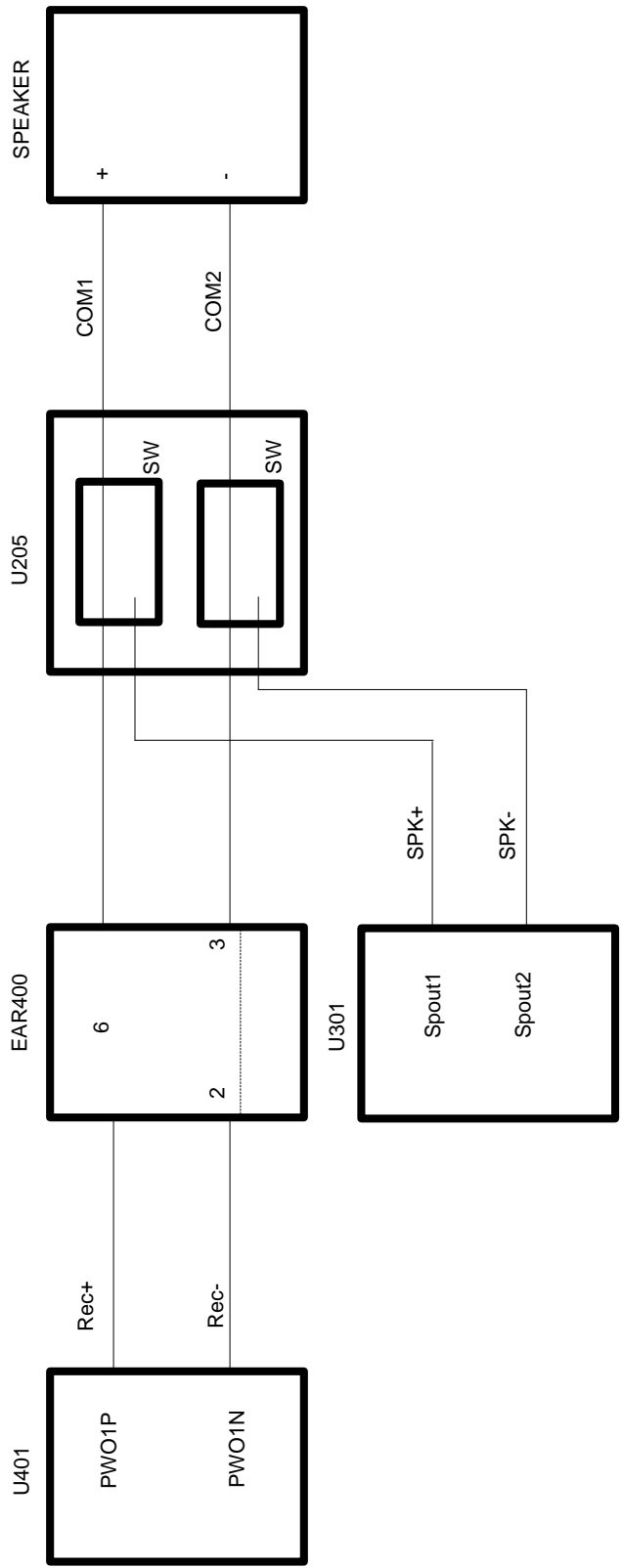
5-5 Microphone Part



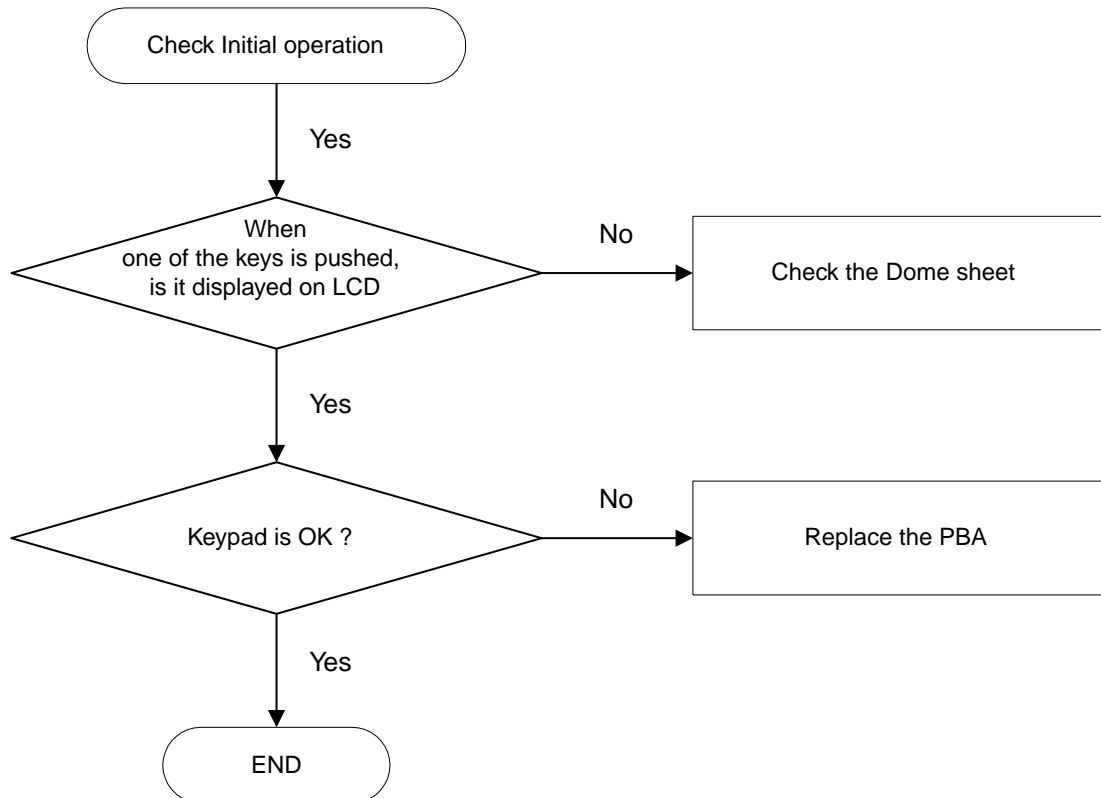


5-6 Receiver Part

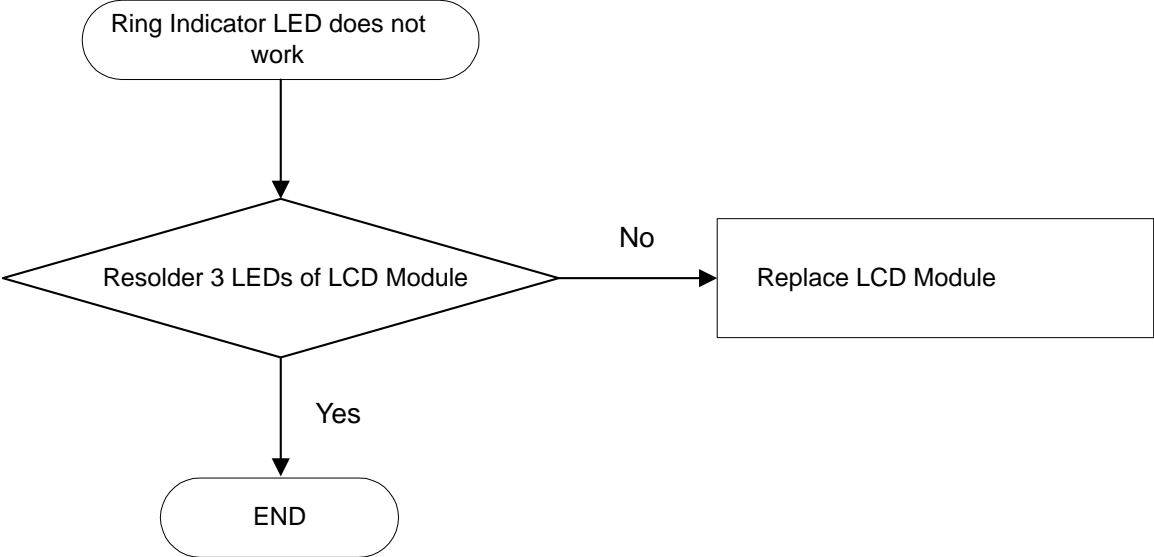




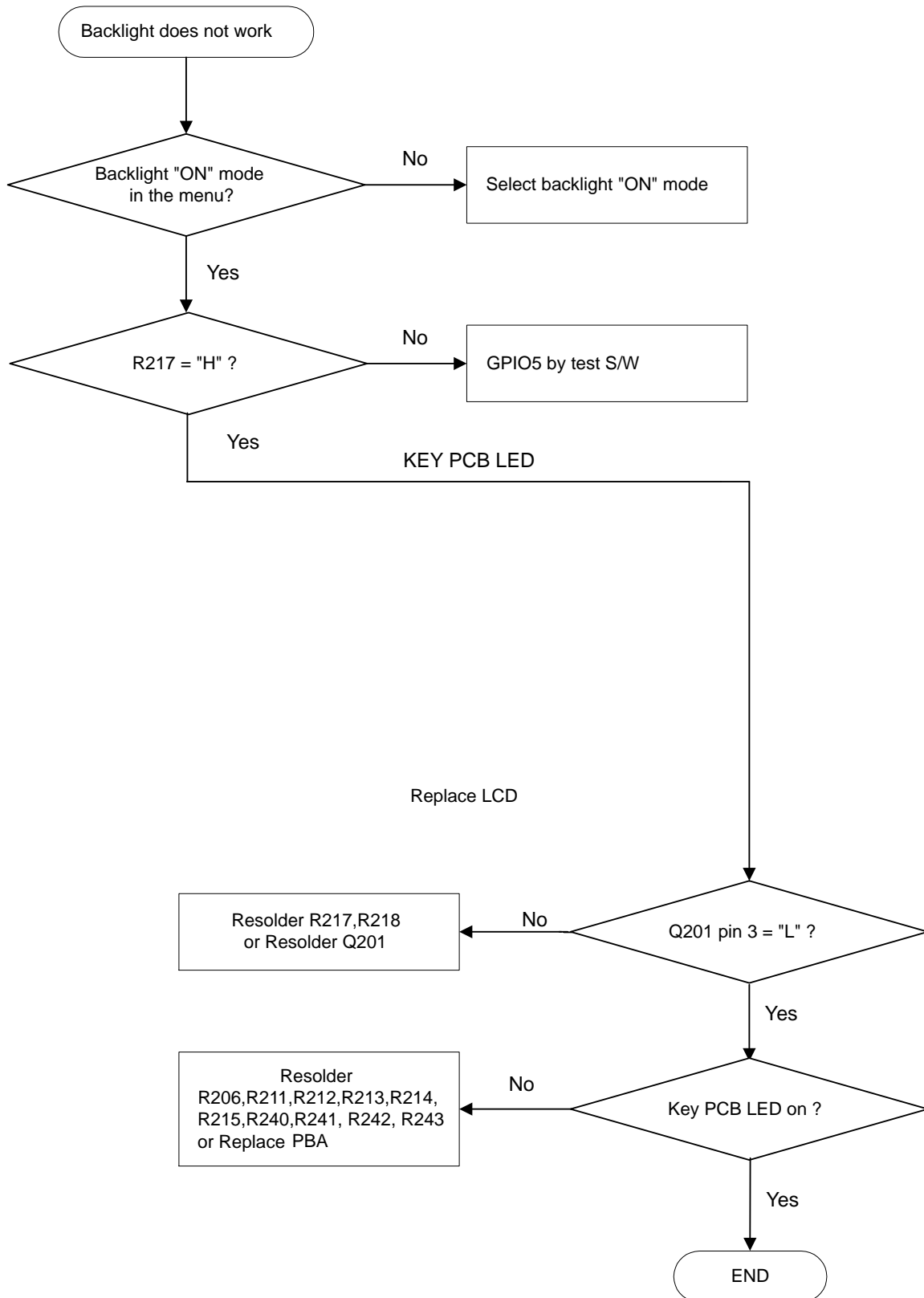
5-7 Key Data Input

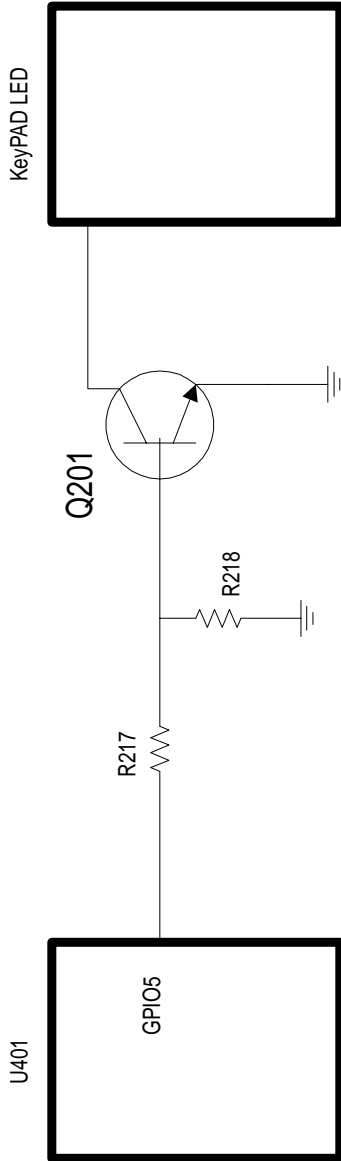


5-8 Ring Indicator

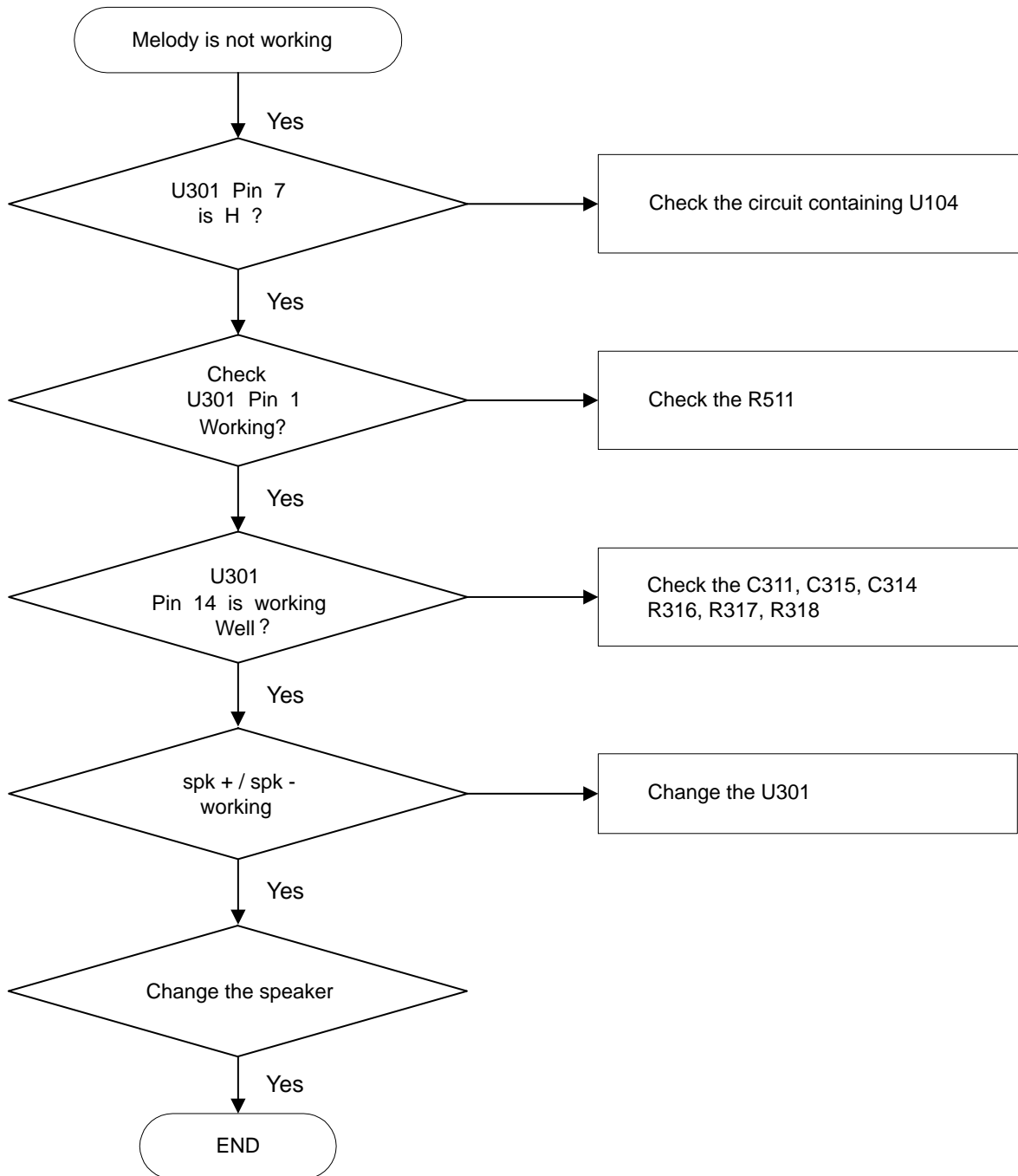


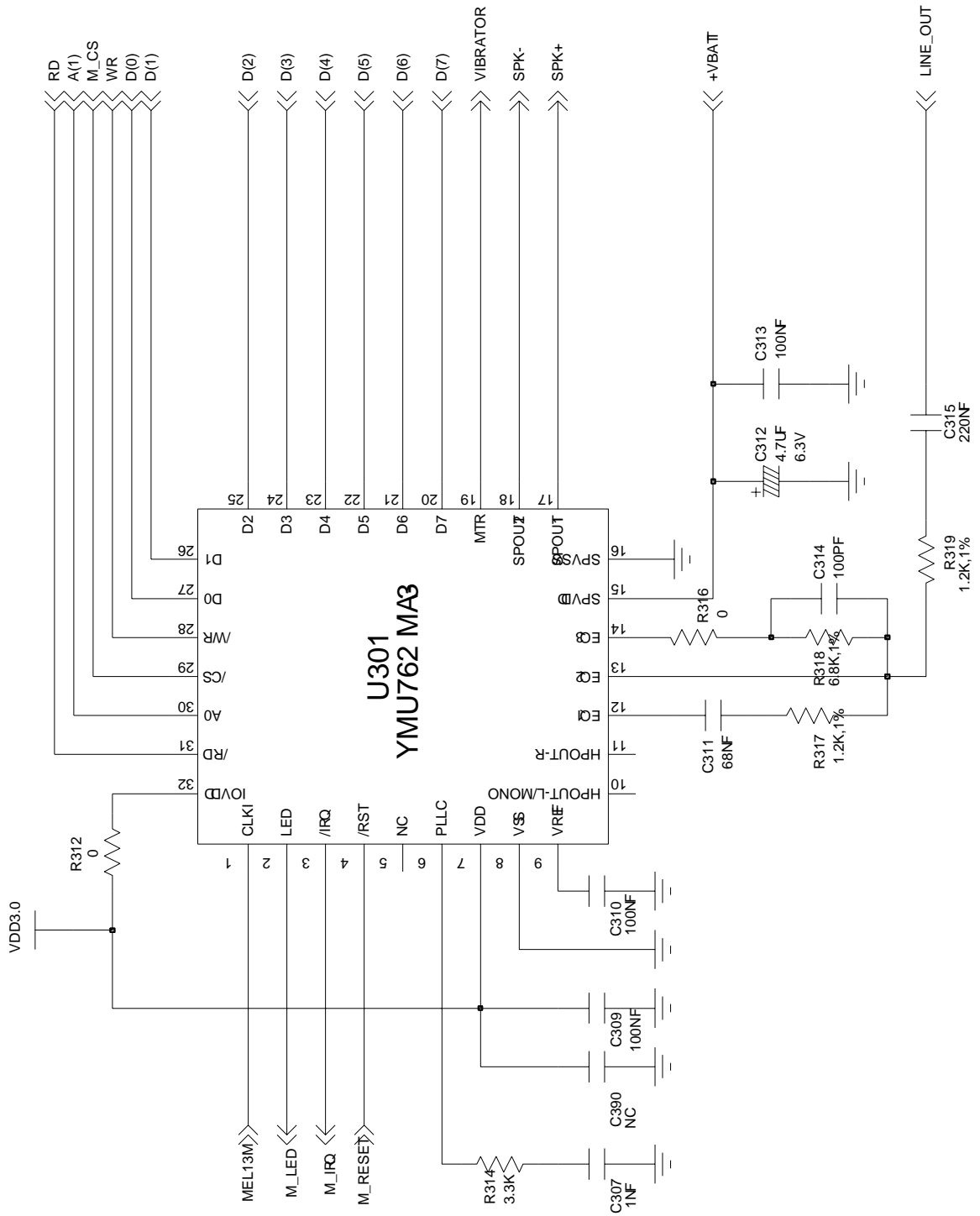
5-9 Back Light



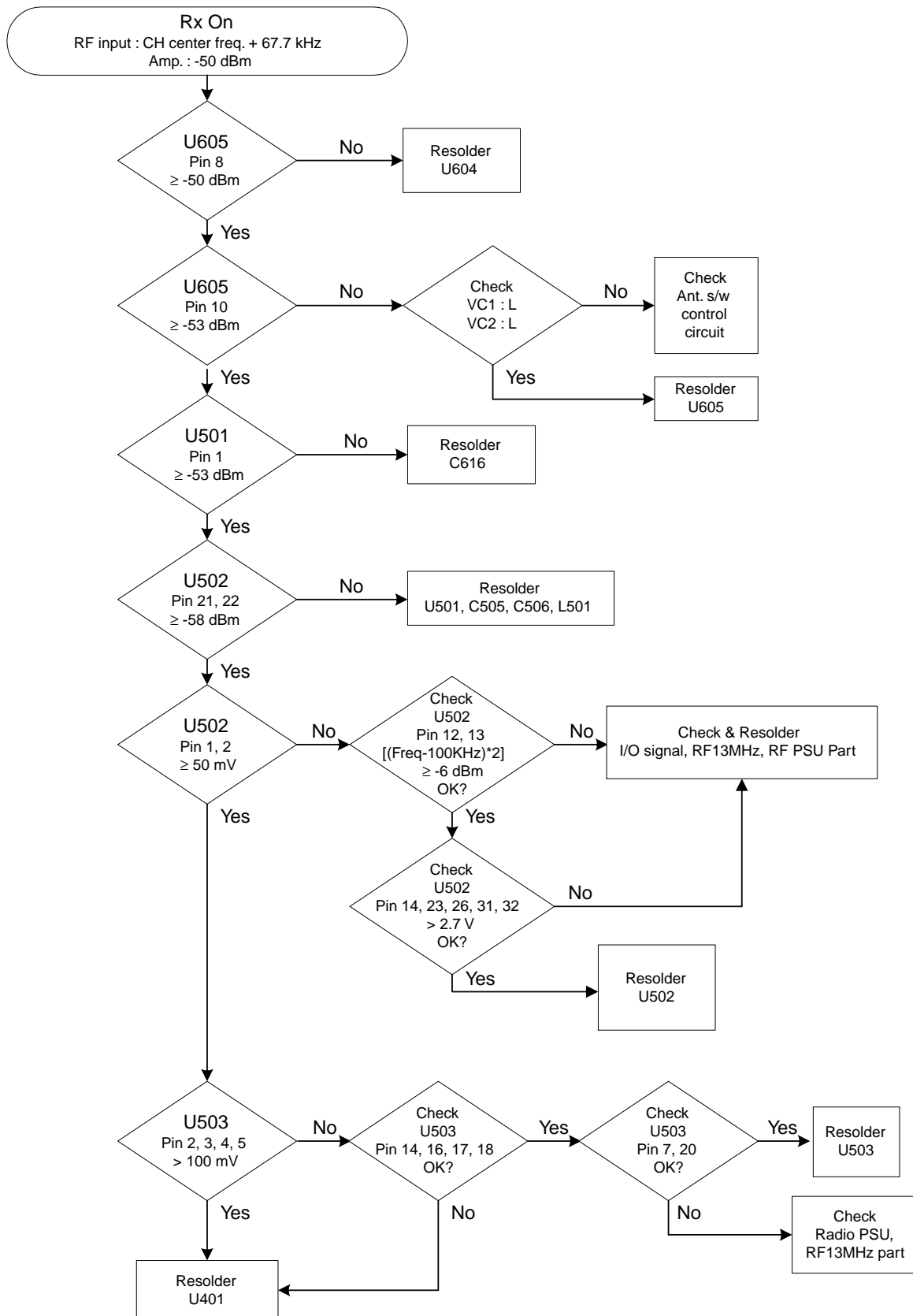


5-10 Melody Part

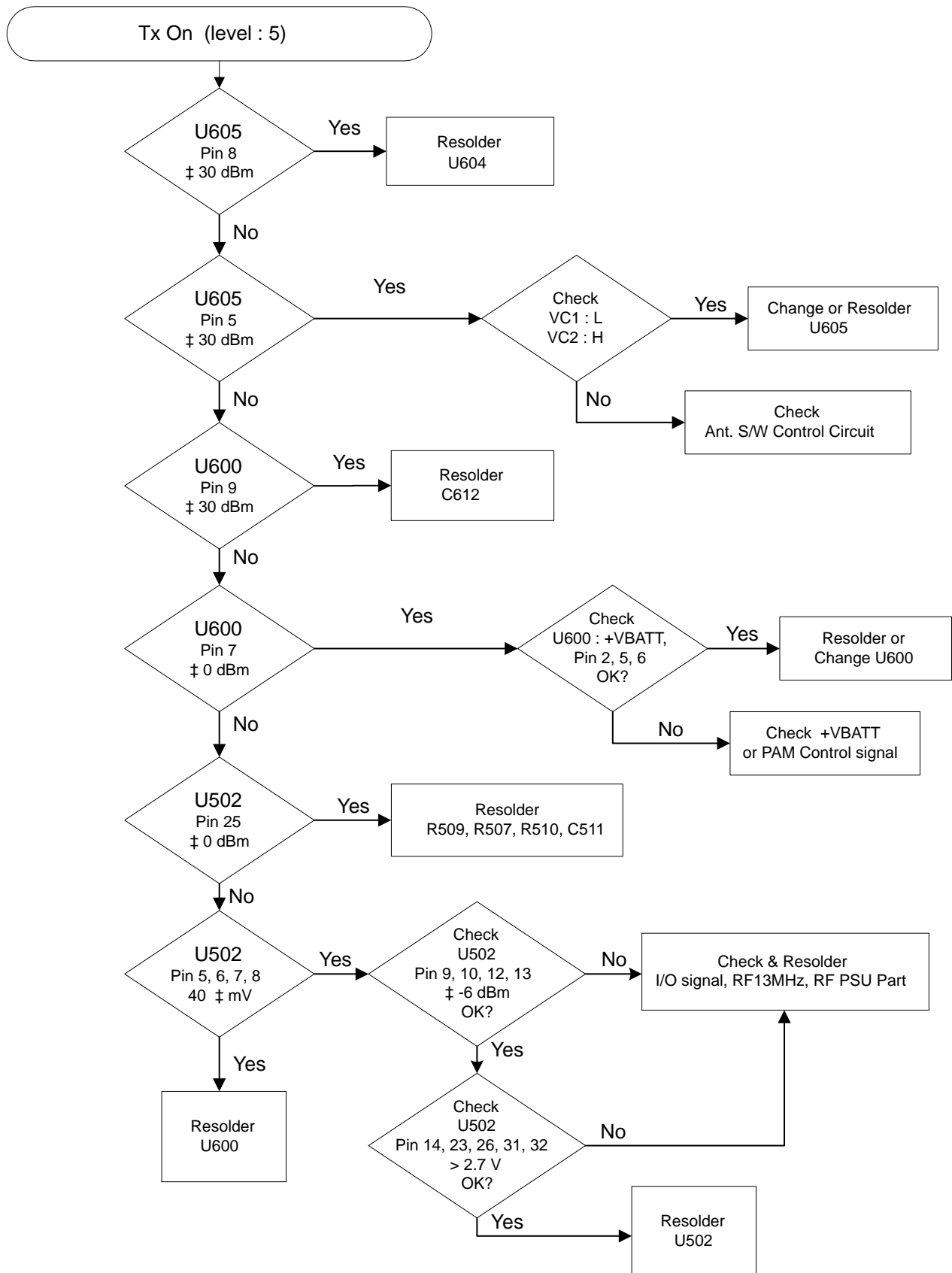




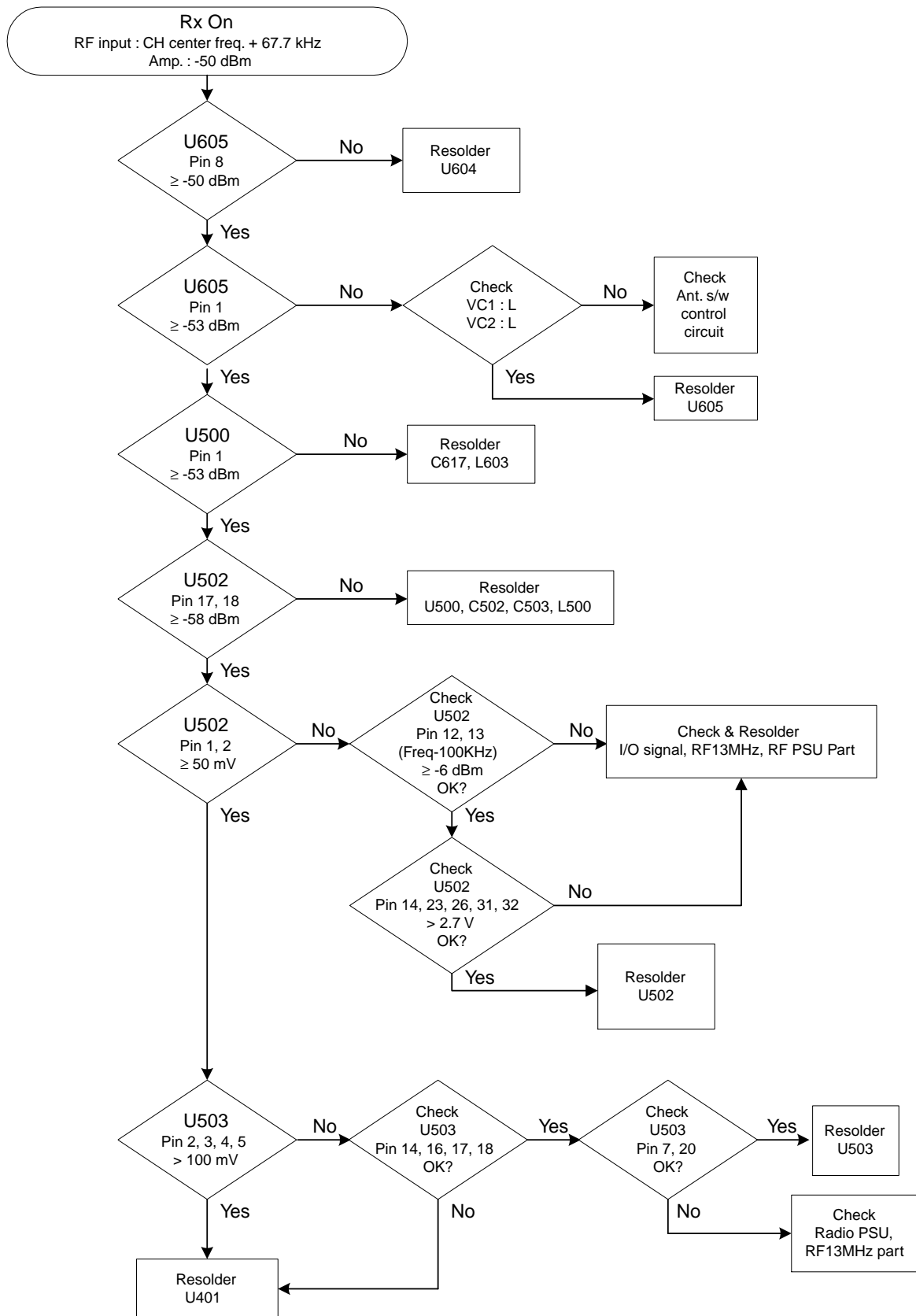
5-11 GSM Receiver



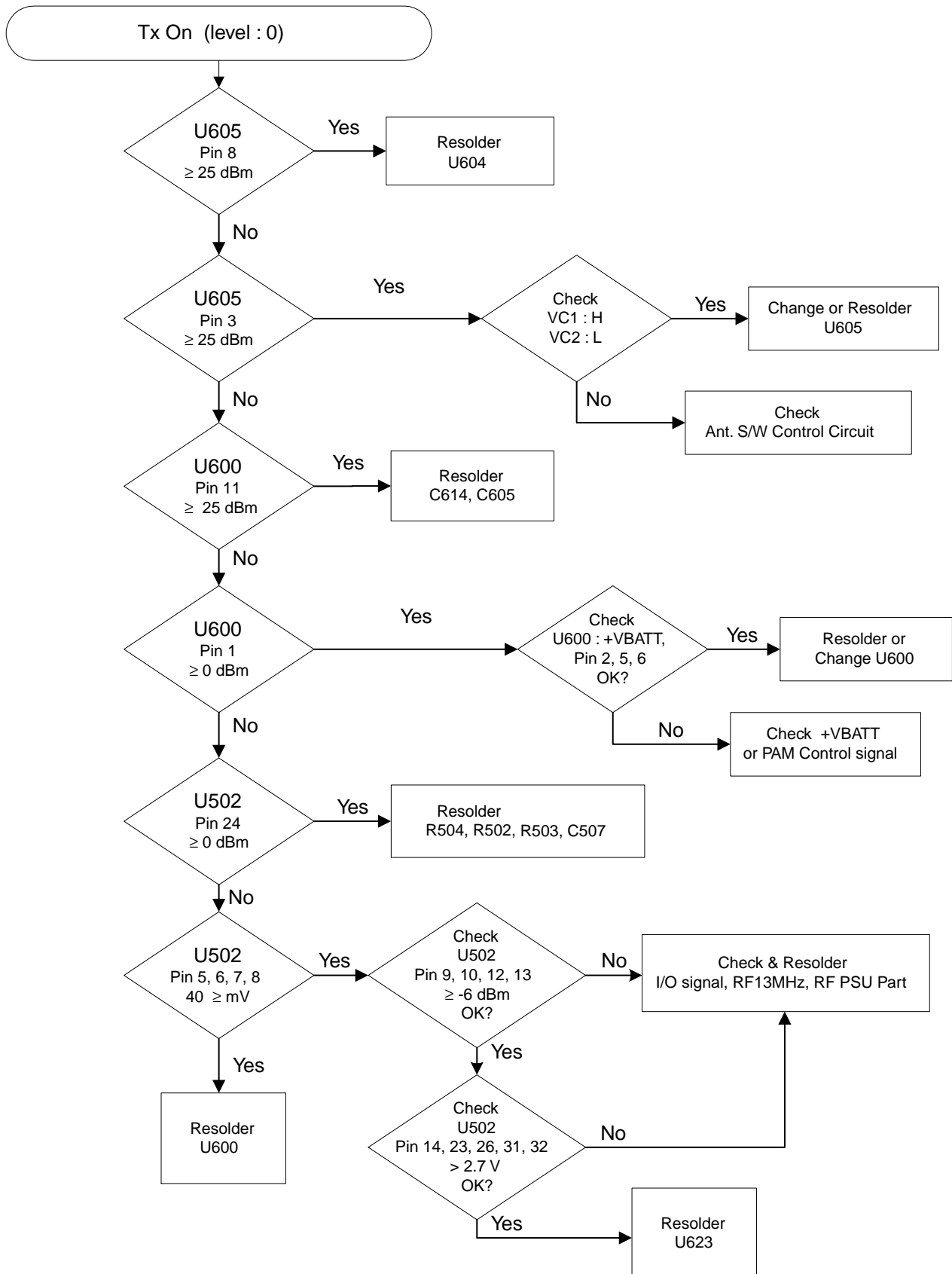
5-12 GSM Transmitter

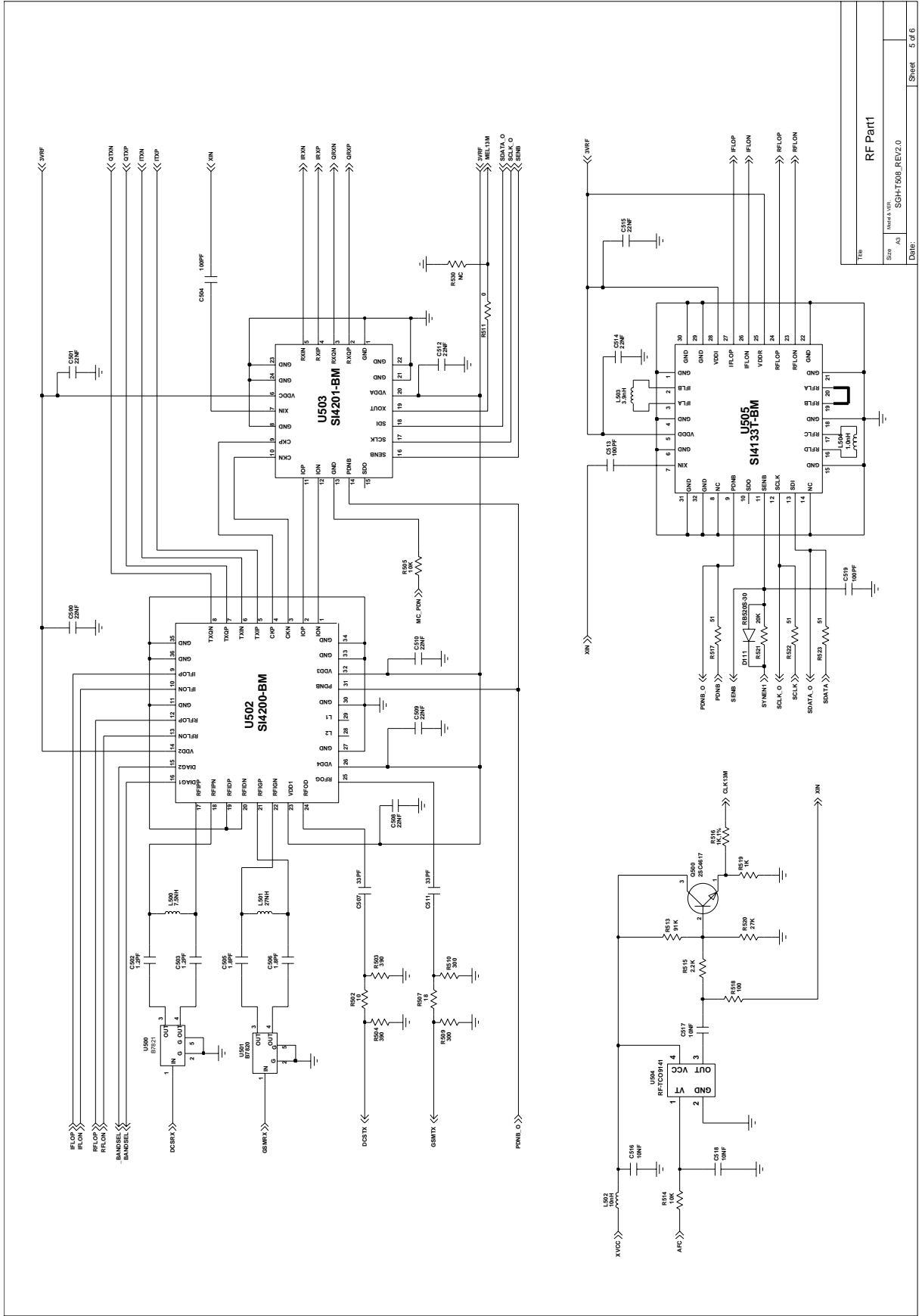


5-13 DCS Receiver



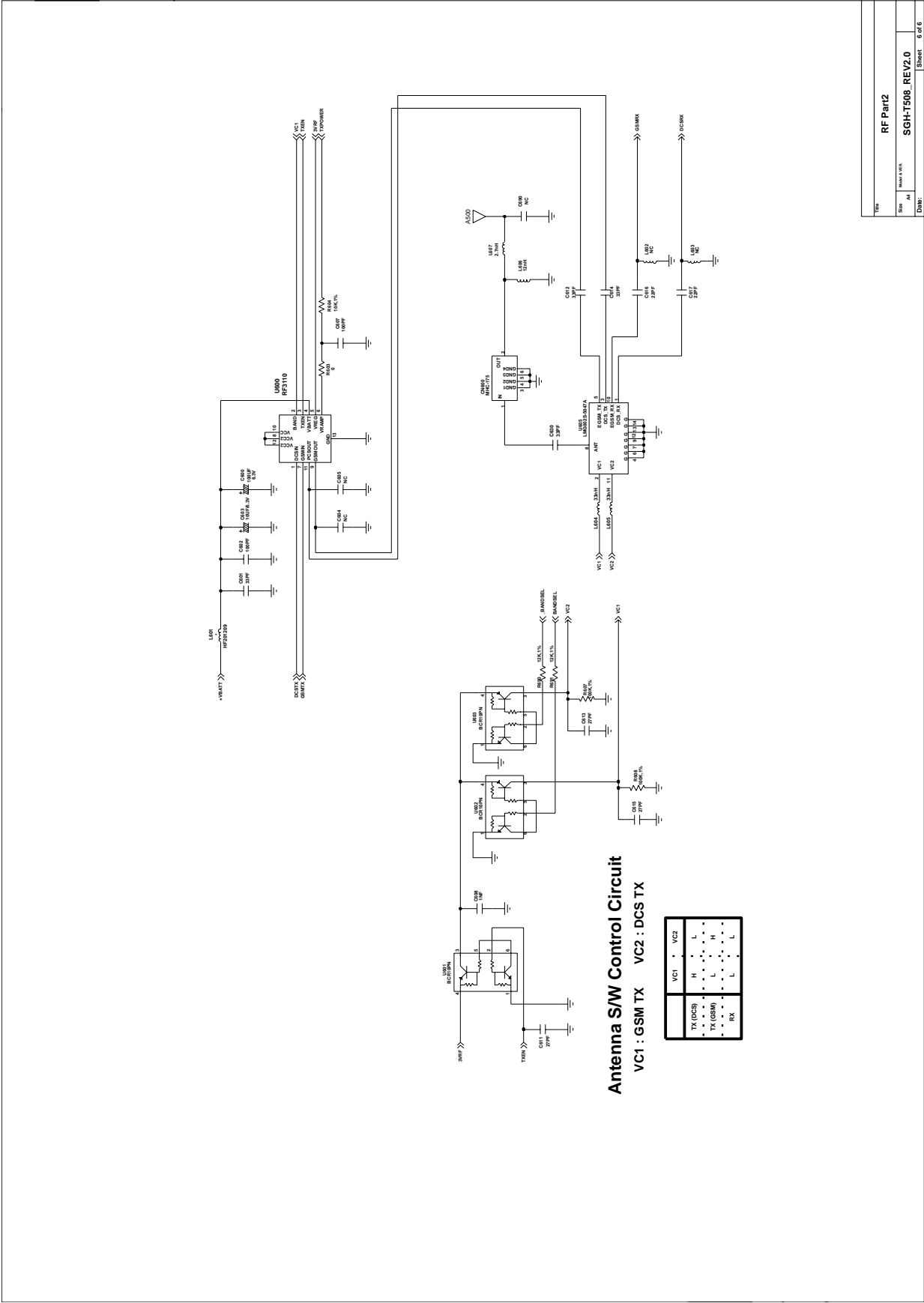
5-14 DCS Transmitter





Temp		
Size	A3	Sheet 5 of 6
Model A.VIS	SGH-T50B_REV2.0	
Date:		

RF Part11



Rev	Rev 1.0
Rev	SGH-T508_REV2.0
DATE	Sheet 6 of 6