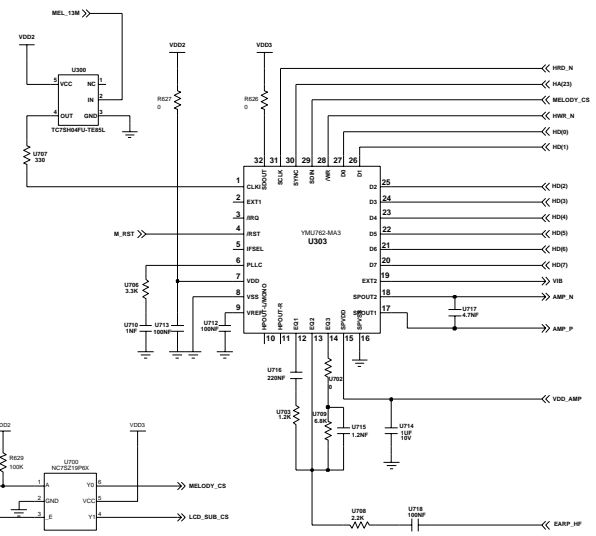
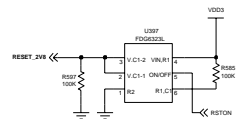
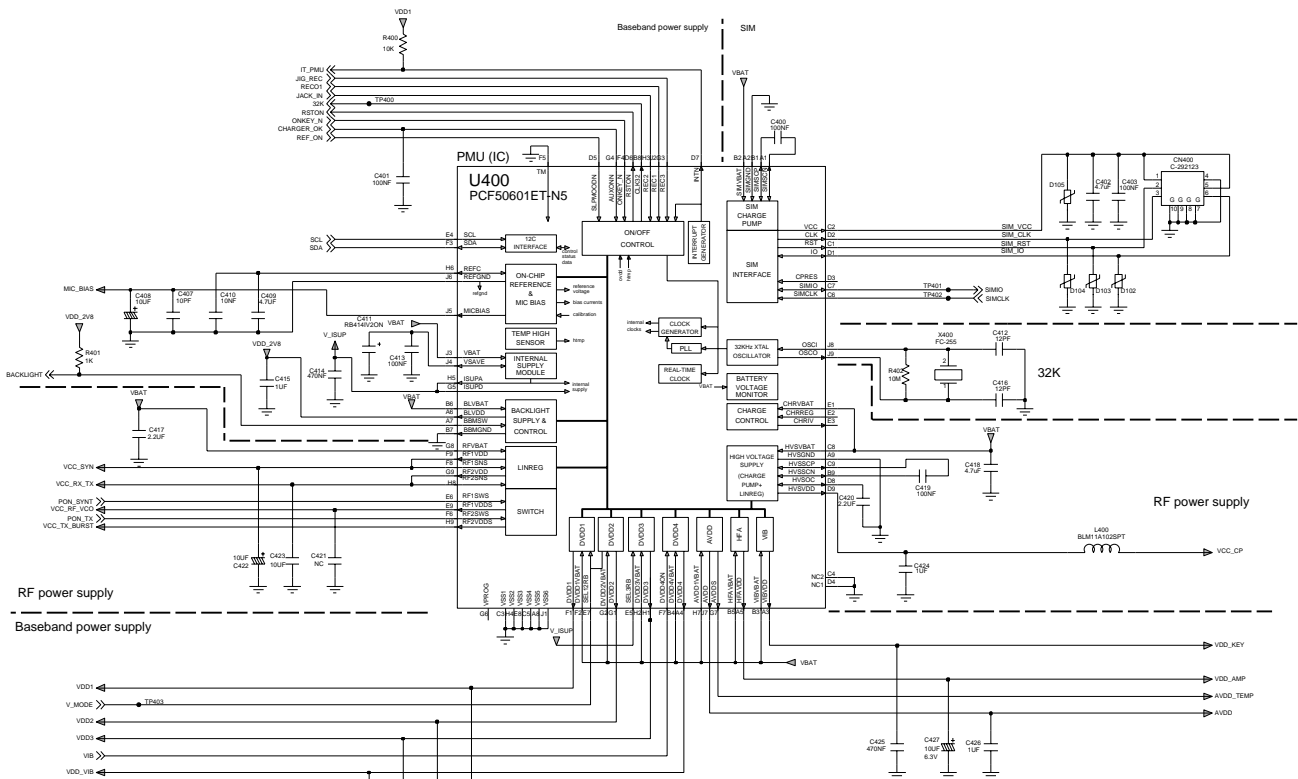


**Memories**



**MELODY IC**

	SUB_MEL_CS	LCD_SEL
MELODY_CS	0	0
LCD_SUB_CS	0	1



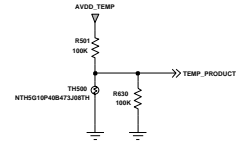
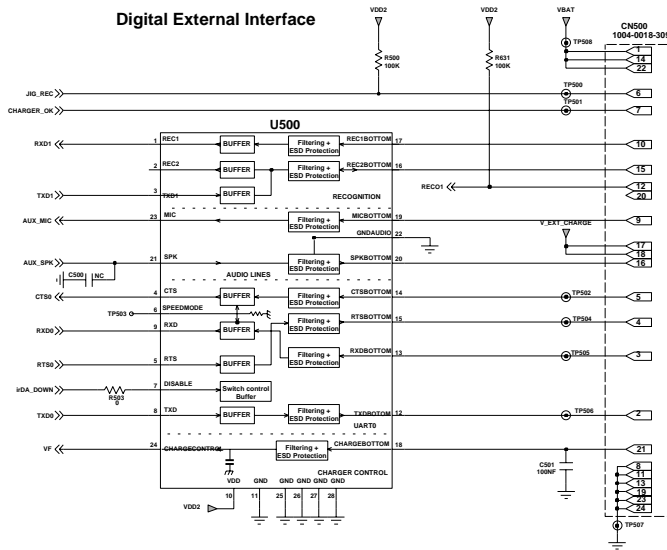
RF power supply

Baseband power supply

SIGNAL	TRIP
MC_BIAS	2V7
V_ILP	2V7
BL_LCD_VDD	3V55
VCC_BYN	2V7
VCC_RX_TX	2V7
VCC_RF_VDD	2V7
VCC_RX_BURST	2V7
VDD1	1V55
VDD2	1V95

SIGNAL	TRIP
VDD3	1V95
VDD4	3V55
AVDD	2V85
AVDD_TEMP	2V85
HFVDD	3V55
VIBVDD	2V95
VCC_CP	4V
SMVDD	3V

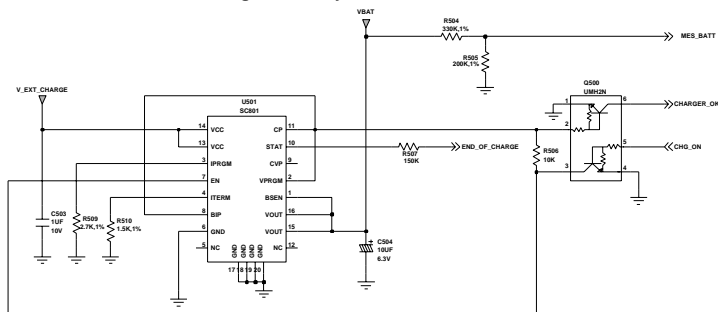
## Digital External Interface

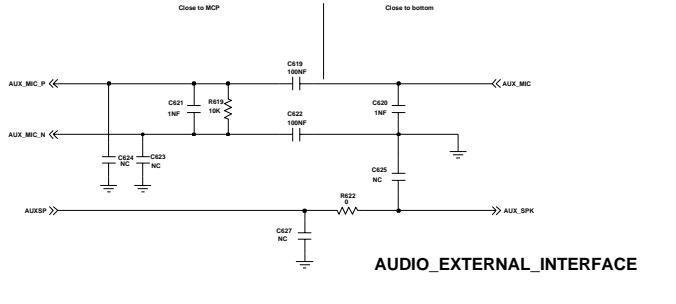
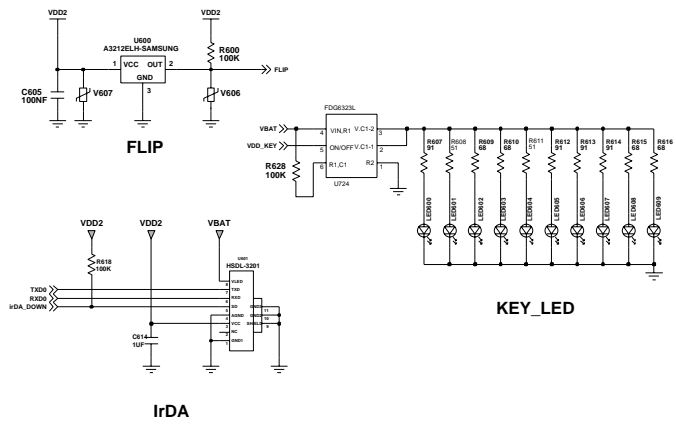
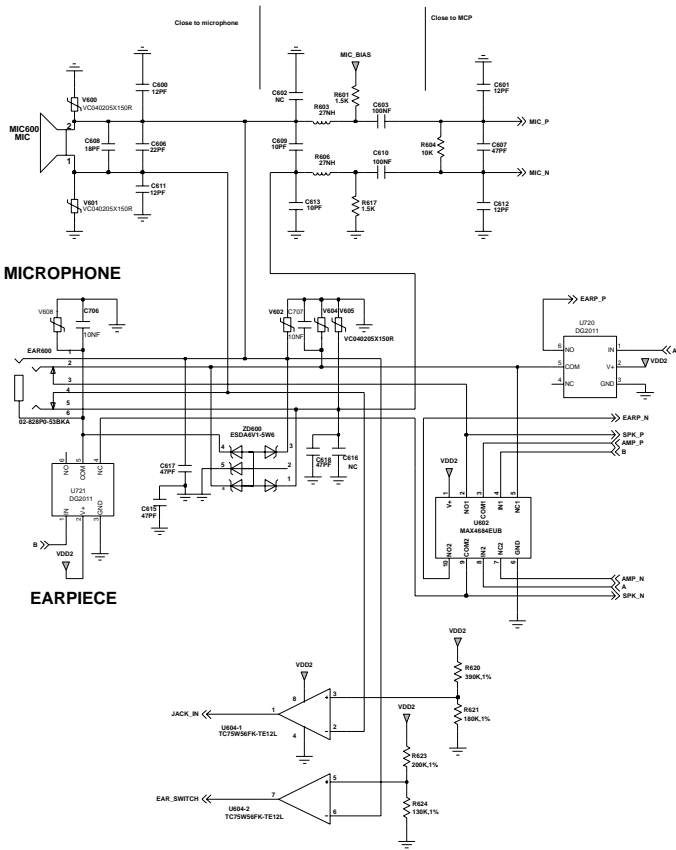


THERMISTER

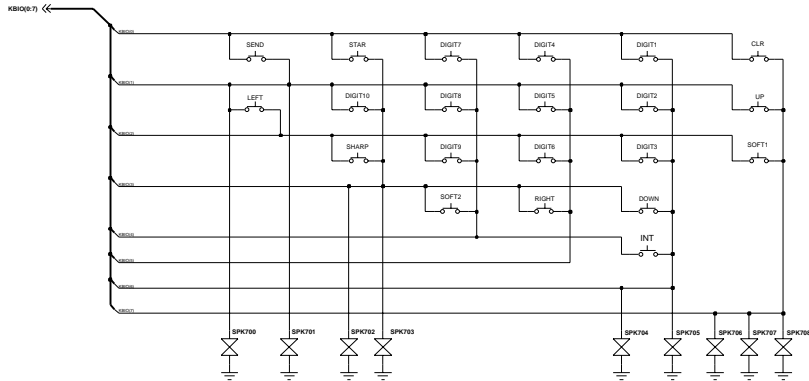
PCB\_HOLE

## Charge of Battery

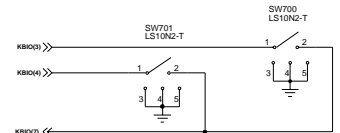








**KEY\_MAP**



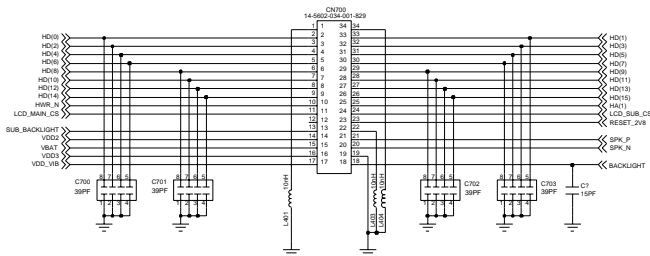
**SIDE\_KEY**



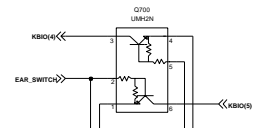
**END\_KEY**



**DOMESHEET GUIDE HOLE**



**LCD\_CONNECTOR**



**EARPHONE\_SWITCH**