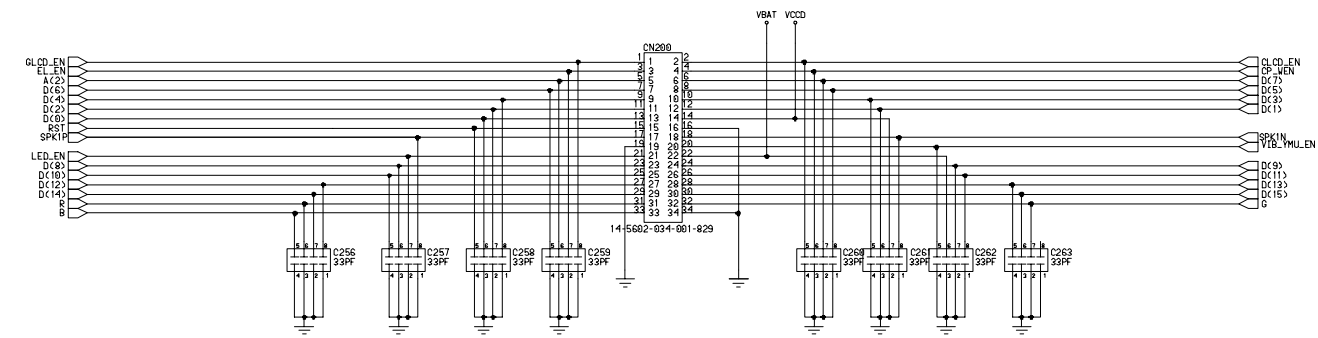
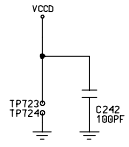
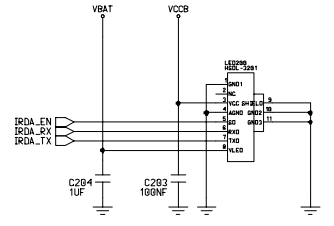
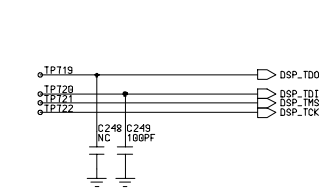
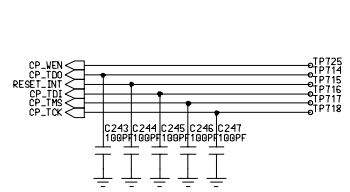


POWER

SGH/Name	Address	COMPANY NAME
Drawn by	City	
R3D CHR	TITLE:	Size
DOC CTRL CHR		A3
MFG ENDR CHR		
		SGH-S200



LCD CONNECTOR

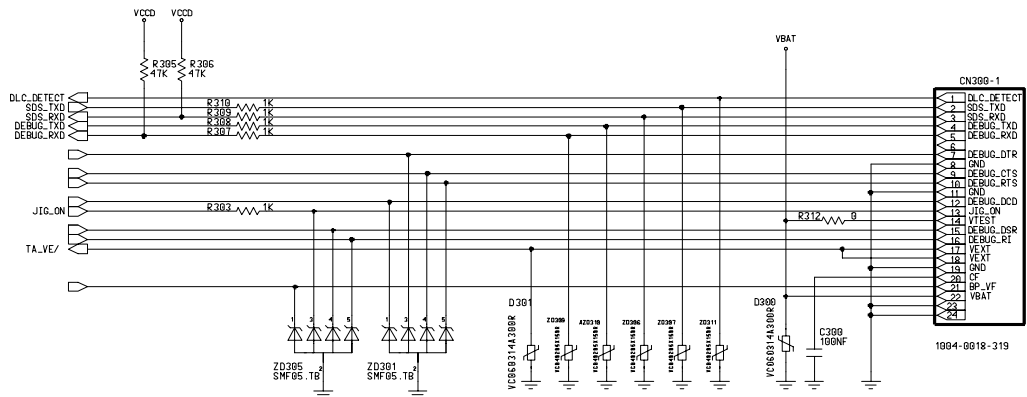


JTAG CON

IRDA

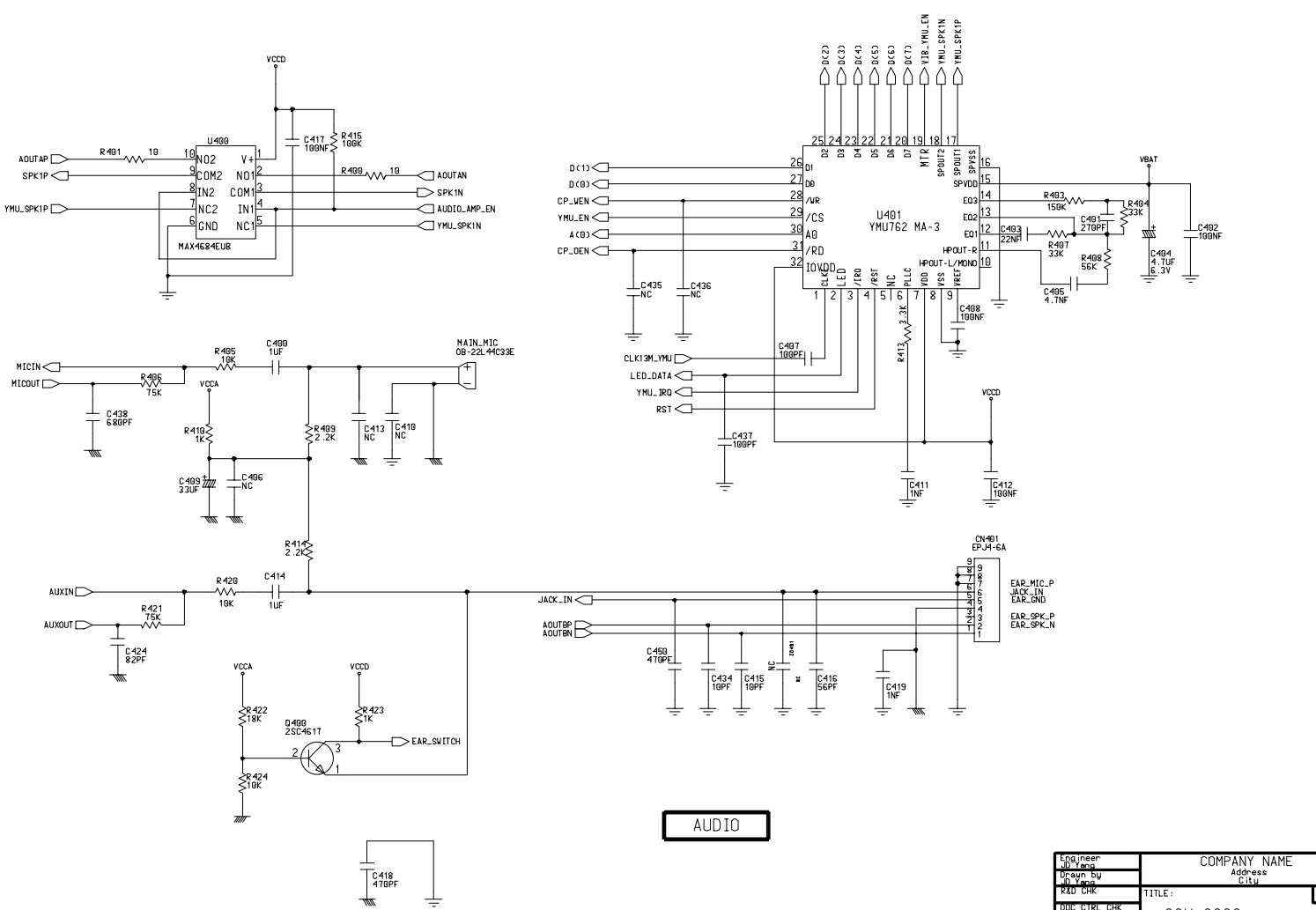
Designed by Drawn by R3D CHR DOC CTRL CHR MFG ENGR CHR	COMPANY NAME Address City State ZIP
TITLE: SGH-S200	Scale 1:1
MA CHK REV: 1	Drawing Number Sheet 2 of 10

Changed by uspc Date Changed 2002.11.25 Line Change 3,09,14,00



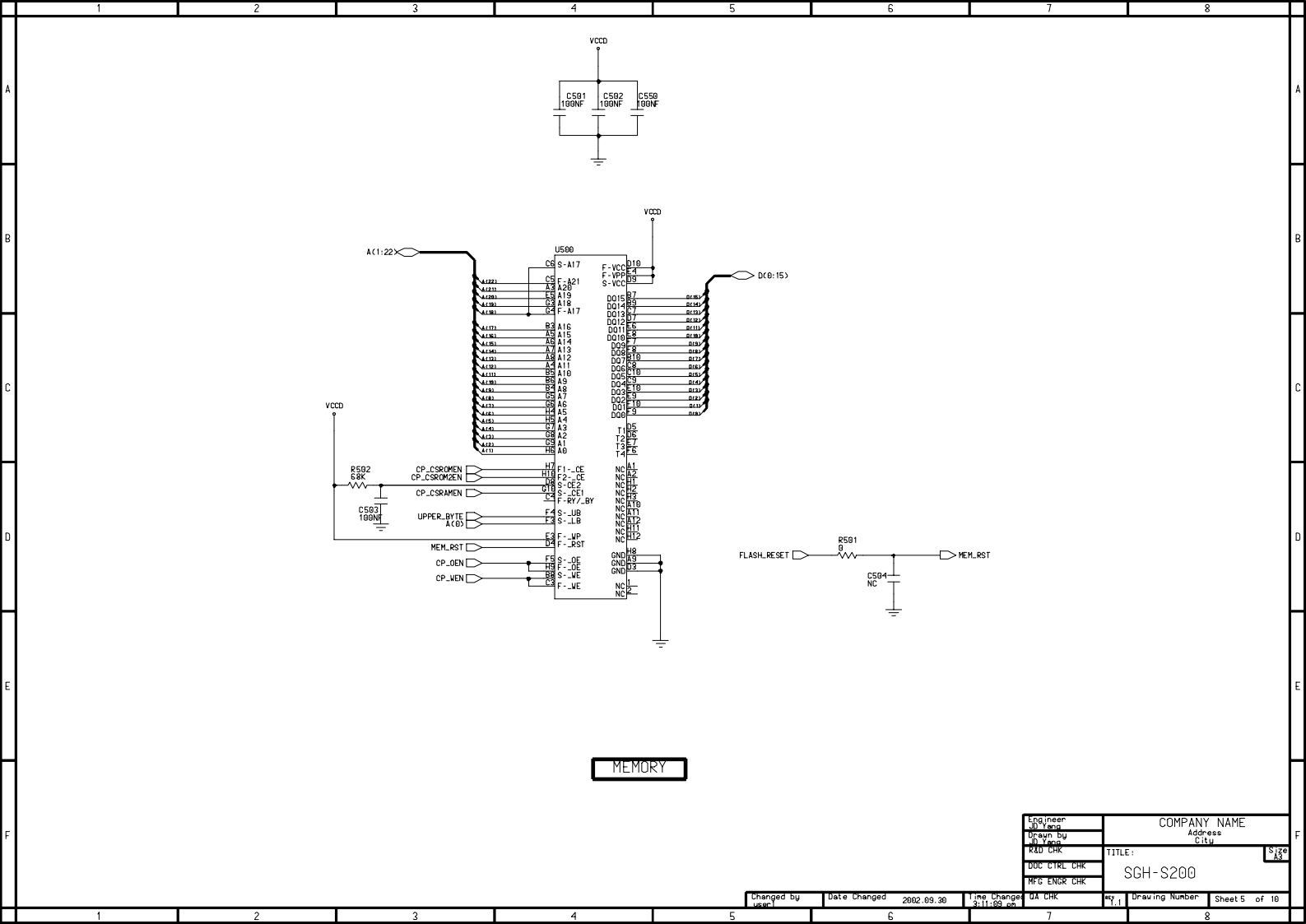
I/F CONNECTOR

EPR/Rev Date Drawn by No. Japs R3D CHR DOC CTRL CHR MFG ENDR CHR	COMPANY NAME Address City TITLE: SGH-S200	Size A3
--	---	------------



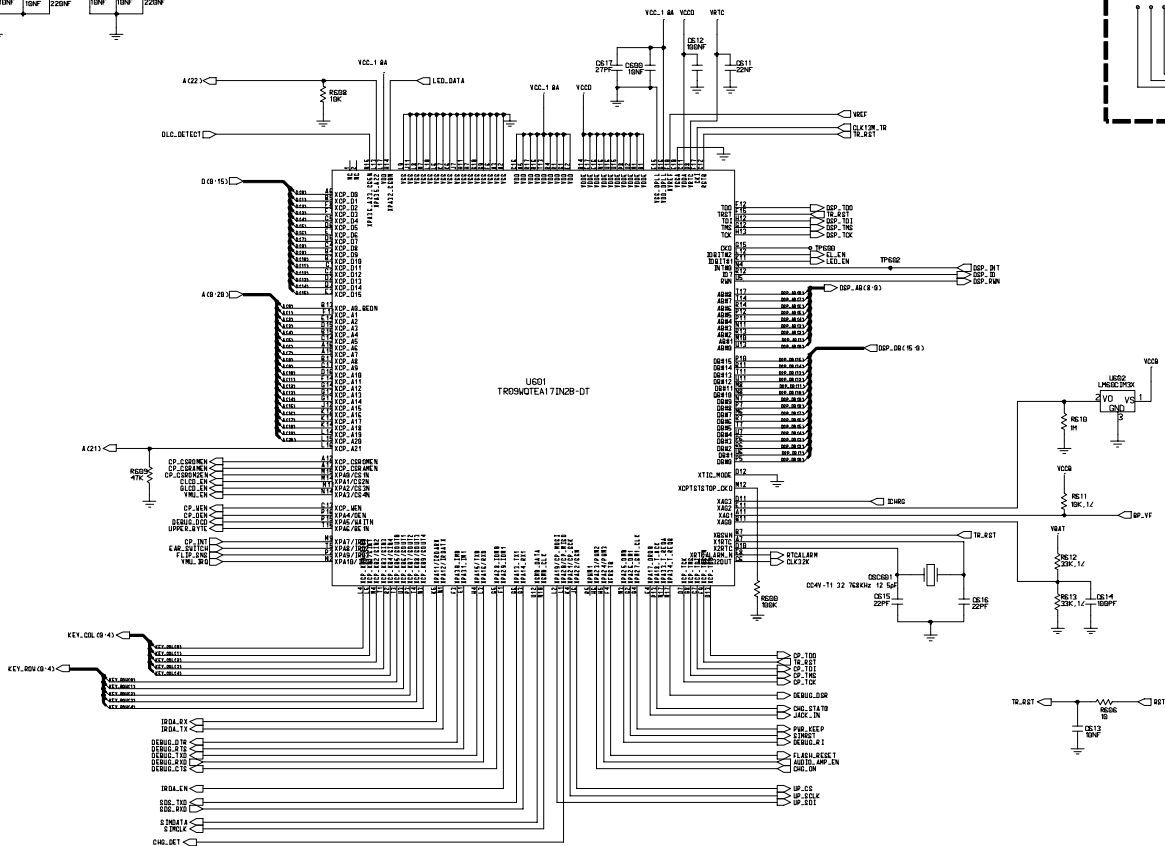
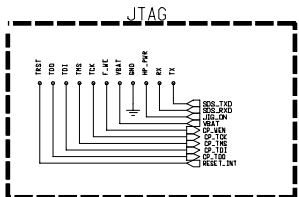
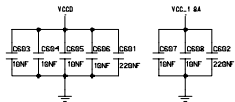
AUDIO

ESR/Revise Drawn by R3D CHR DOC CTRL CHR MFG ENGR CHR	COMPANY NAME Address City STATE ZIP TITLE: SGH-S200
Changed by uspc1	Date Changed 2002.11.25
Time Change 3:10:51 pm	MA CHK REV Drawing Number Sheet 4 of 10



MEMORY

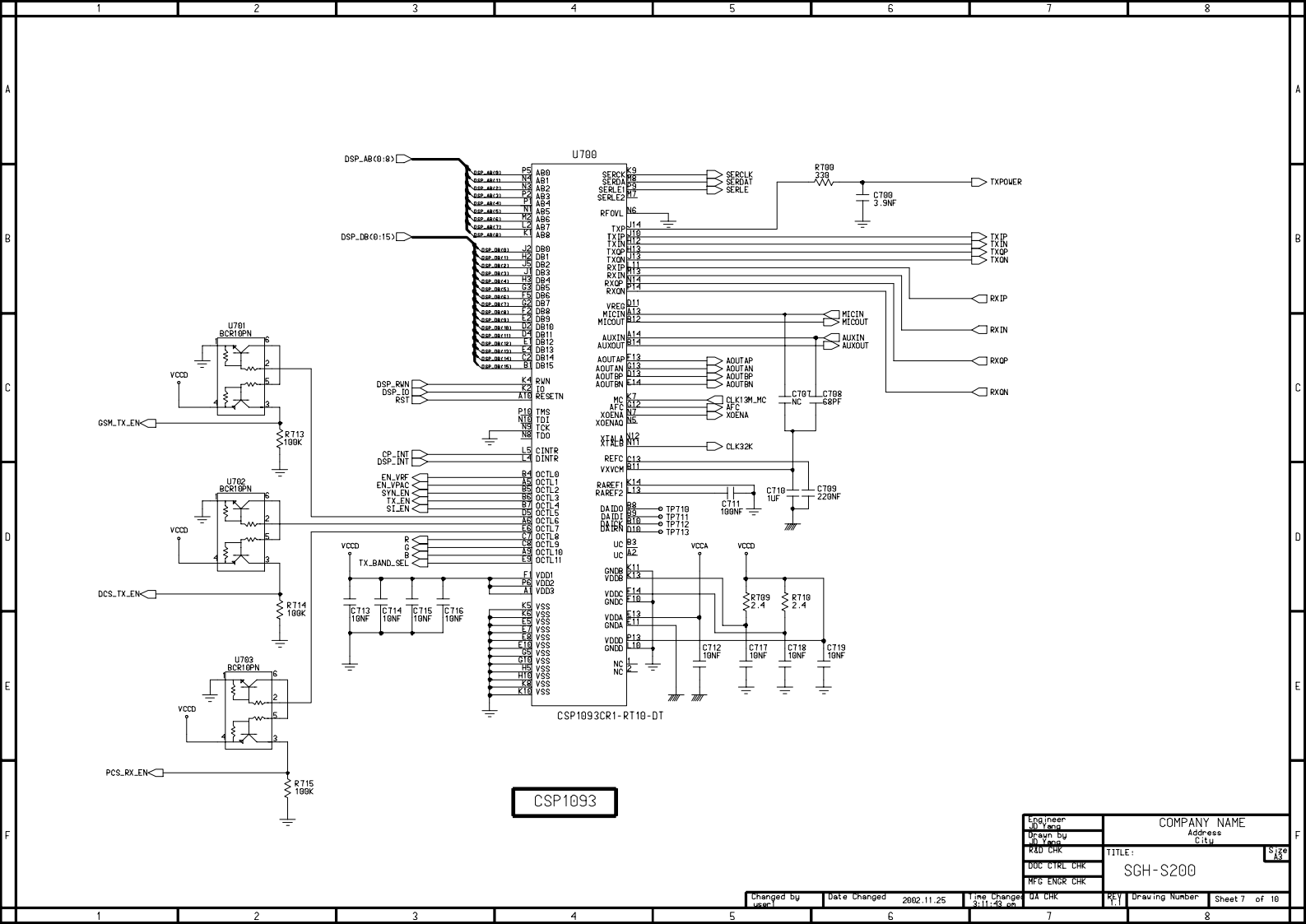
ESR/Name Drawn By ID No R3D CHR DOC CTRL CHR MFC ENSR CHR	COMPANY NAME Address City State ZIP			
TITLE:	SGH-S200			
MA CHK	NY 1			
Changed by	Date Changed	Time Change	Drawing Number	Sheet 5 of 10



TRIDENT

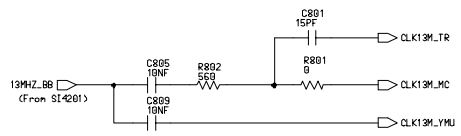
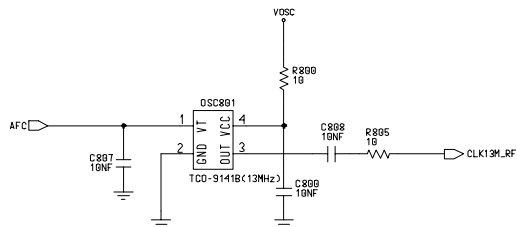


Company Name	Address
City	State
TITLE	
SGH-S200	

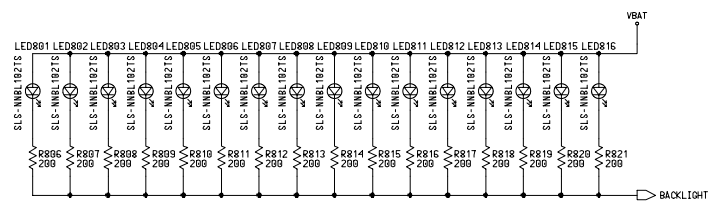
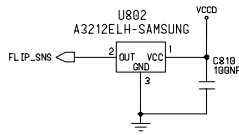
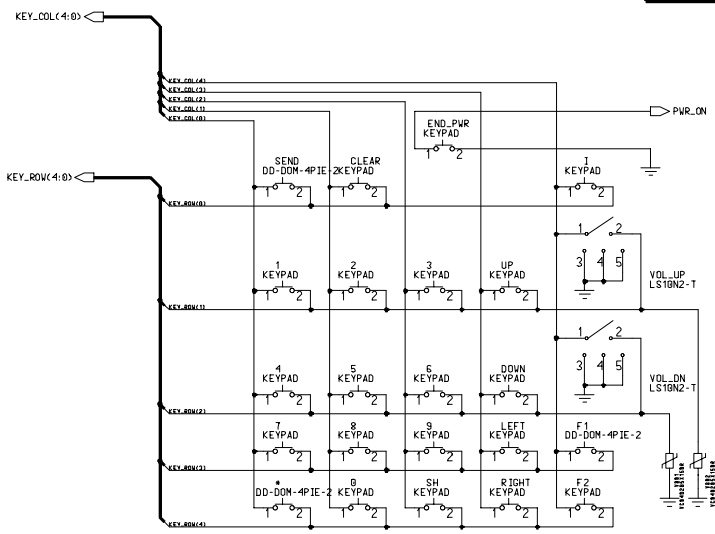


CSP1093

EBR/ner Drawn by RD CHR DOC CTRL CHR MFC ENCR CHR	COMPANY NAME Address City STATE ZIP
TITLE:	SCH-S200
MA CHR REV Drawing Number Sheet 7 of 10	Date Changed 2002.11.25 Time Change 3:11:48 pm



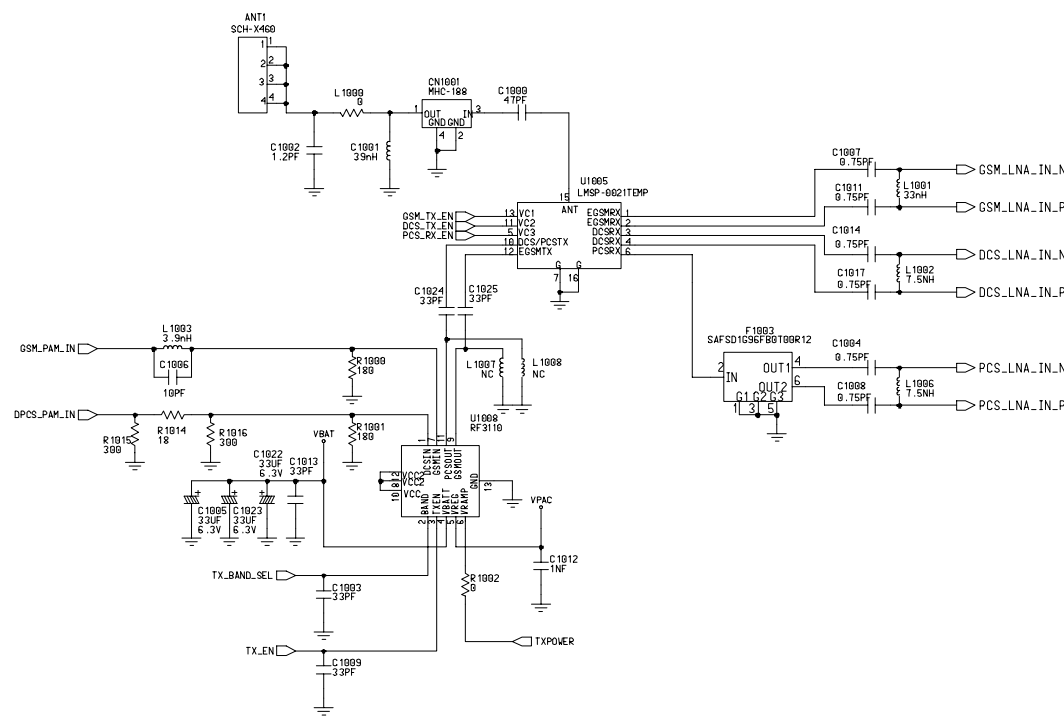
X-TAL (13MHz)



ESD/heat sensitive	COMPANY NAME
Drawn by M. Jang	Address Gtsh
R3D CHK	TITLE: SCH-S200
DOC CTRL CHR	MFG ENGR CHR







TRANSMITTER & RECEIVER

ESR/Name Drawn by R3D CHR DOC CTRL CHR MFG ENGR CHR	COMPANY NAME Address City STATE ZIP TITLE: <b>SCH-S200</b>
---	--