





DUAL BAND Mobile Cellular Phone SGH-R220E

SERVICE *Manual*

DUAL BAND MOBILE CELLULAR PHONE



CONTENTS

1. Exploded Views and Parts List
2. PCB Diagrams
3. Electrical Parts List
4. Block Diagrams
5. Flow Chart of Troubleshooting and Circuit Diagrams

1. Exploded Views and Parts List

- 1-1 **Main**
- 1-2 **Main Parts List**
- 1-3 **Travel Adapter**
- 1-4 **Travel Adapter Parts List**
- 1-5 **Ciger Light Adapter**
- 1-6 **Ciger Light Adapter Parts List**
- 1-7 **Test Jig**
- 1-8 **EAR Microphone**
- 1-9 **Data Kit**
- 1-10 **Battery Charger**

2. PCB Diagrams

- 2-1 **Main Top**
- 2-2 **Main Bottom**

3. Electrical Parts List

- 3-1 **Main Parts List Top**
- 3-2 **Main Parts List Bottom**

4. Block Diagrams

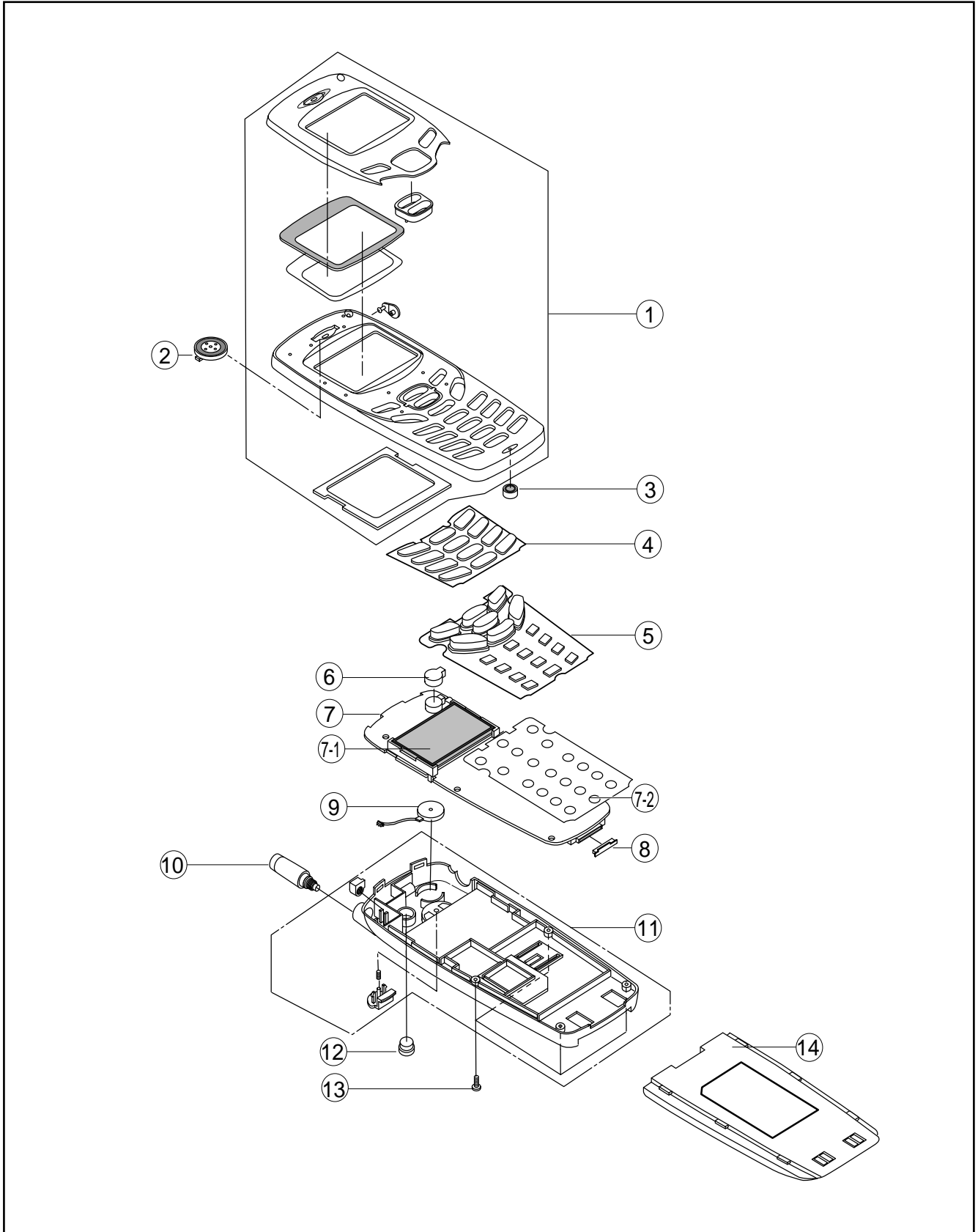
- 4-1 **Main Baseband**
- 4-2 **Main RF**
 - 4-2-1 **RF Transmit Part**
 - 4-2-2 **RF Receive Part**

5. Flow Chart of Troubleshooting and Circuit Diagrams

- 5-1 **Power ON**
 - 5-2 **Initial**
 - 5-3 **Charging Part**
 - 5-4 **Sim Part**
 - 5-5 **Microphone Part**
 - 5-6 **Speaker Part**
 - 5-7 **Key Data Input**
 - 5-8 **Alert Tone**
 - 5-9 **Ring Indicator**
 - 5-10 **Back Light**
 - 5-11 **GSM Receiver**
 - 5-12 **GSM Transmitter**
 - 5-13 **DCS Receiver**
 - 5-14 **DCS Transmitter**
-

1. SGH-R220E Exploded Views and Parts List

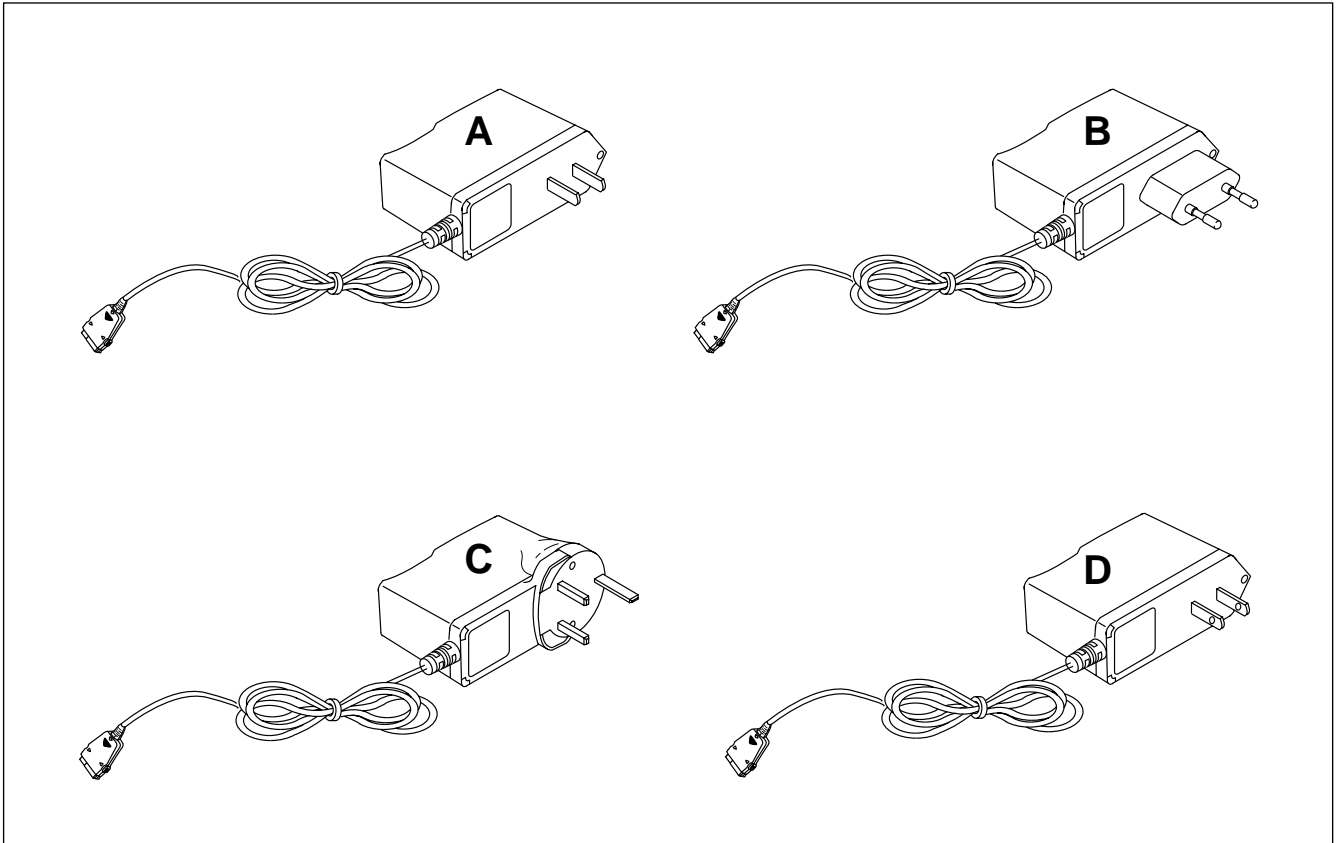
1-1 Main



1-2 Main Parts List

Location No.	Description	SEC CODE			Remark
		Navy Blue	Green	Dark Gray	
1	MEC-FRONT COVER	GH75-01483A	GH75-01483B	GH75-01483C	
2	SPEAKER	3001-001233	3001-001233	3001-001233	
3	MIC	GH59-00240B	GH59-00240B	GH59-00240B	
4	F1 KEY	GH72-02782A	GH72-02782A	GH72-02782A	
5	KEY PAD	GH75-01164A	GH75-01164A	GH75-01164A	
6	BUZZER	3002-001098	3002-001098	3002-001098	
7	MAIN PBA	GH92-01333A	GH92-01333A	GH92-01333A	
	7-1 LCD	GH07-00075B	GH07-00075B	GH07-00075B	
	7-2 DOME SHEET	GH72-02984B	GH72-02984B	GH72-02984B	
8	COVER CONNECTOR	GH73-00758A	GH73-00758B	GH73-00758C	
9	VIBRATOR	GH31-00019A	GH31-00019A	GH31-00019A	
10	ANTENNA	GH42-00120C	GH42-00120B	GH42-00120A	
11	MEC-REAR COVER	GH75-01165A	GH75-01165B	GH75-01165C	
12	RF JACK HOLDER	GH73-00759A	GH73-00759B	GH73-00759C	
13	SCREW-MACHINE	6001-001635	6001-001635	6001-001635	
14	BATTERY	GH43-00369A	GH43-00369B	GH43-00369C	

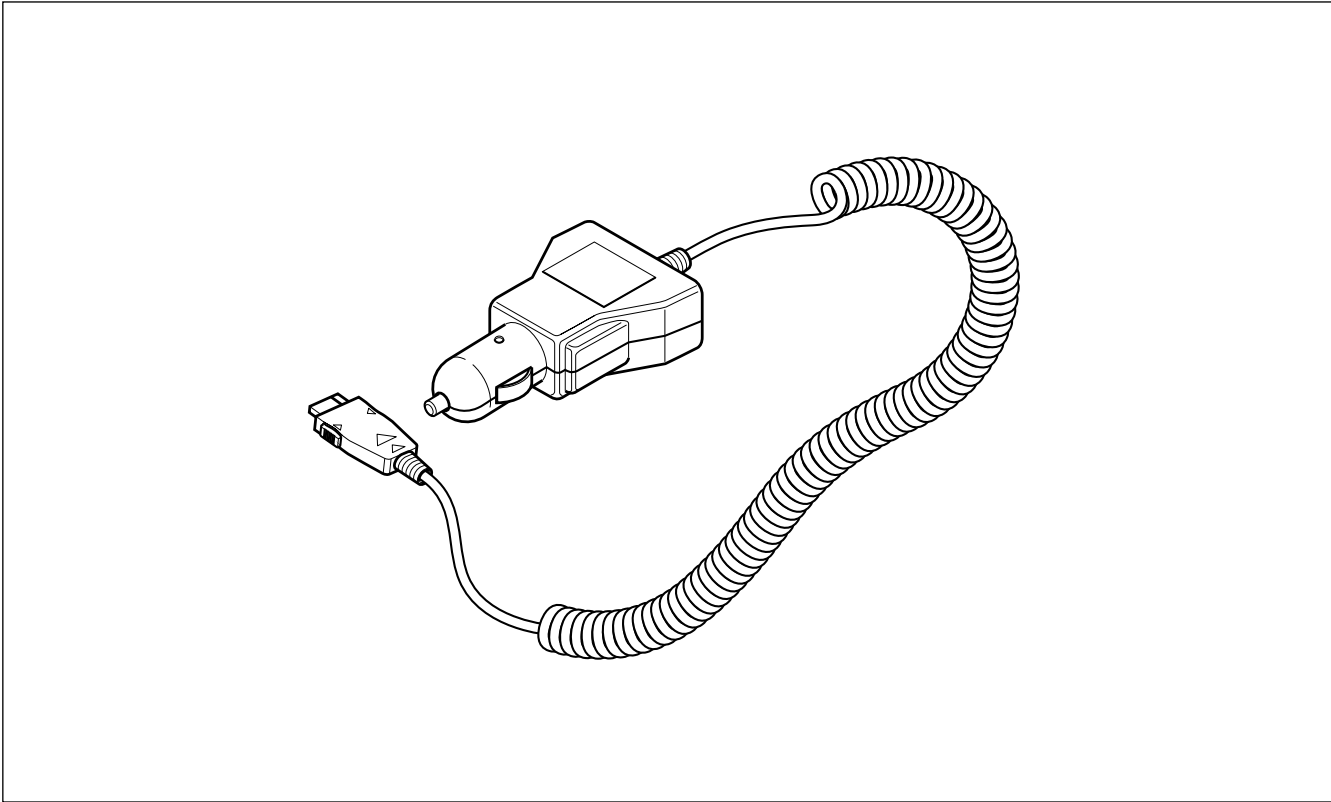
1-3 Travel Adapter



1-4 Travel Adapter Parts List

TYPE	SEC CODE	REMARK
A	GH44-00171A	CHINA
B	GH44-00184A	EUROPE
C	GH44-00171C	UNITED KINGDOM
D	Gh44-00171E	TAIWAN

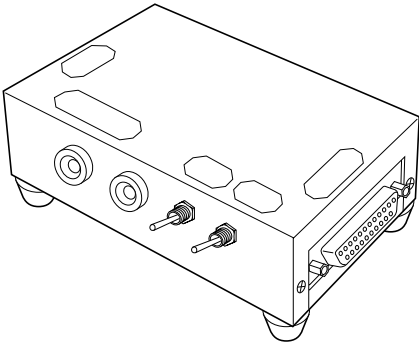
1-5 Ciger Light Adapter



1-6 Ciger Light Adapter Parts List

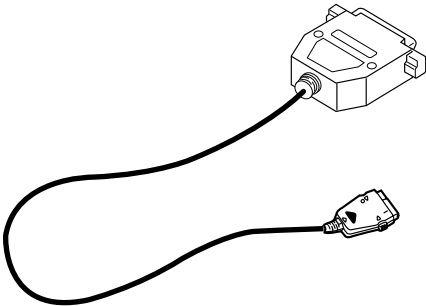
DESCRIPTION	SEC CODE	REMARK
Ciger Light Adapter Code	GH44-00170A	BLACK

1-7 Test Jig



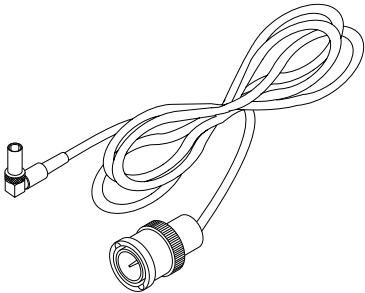
TEST JIG

GH80-10508A



TEST JIG CABLE

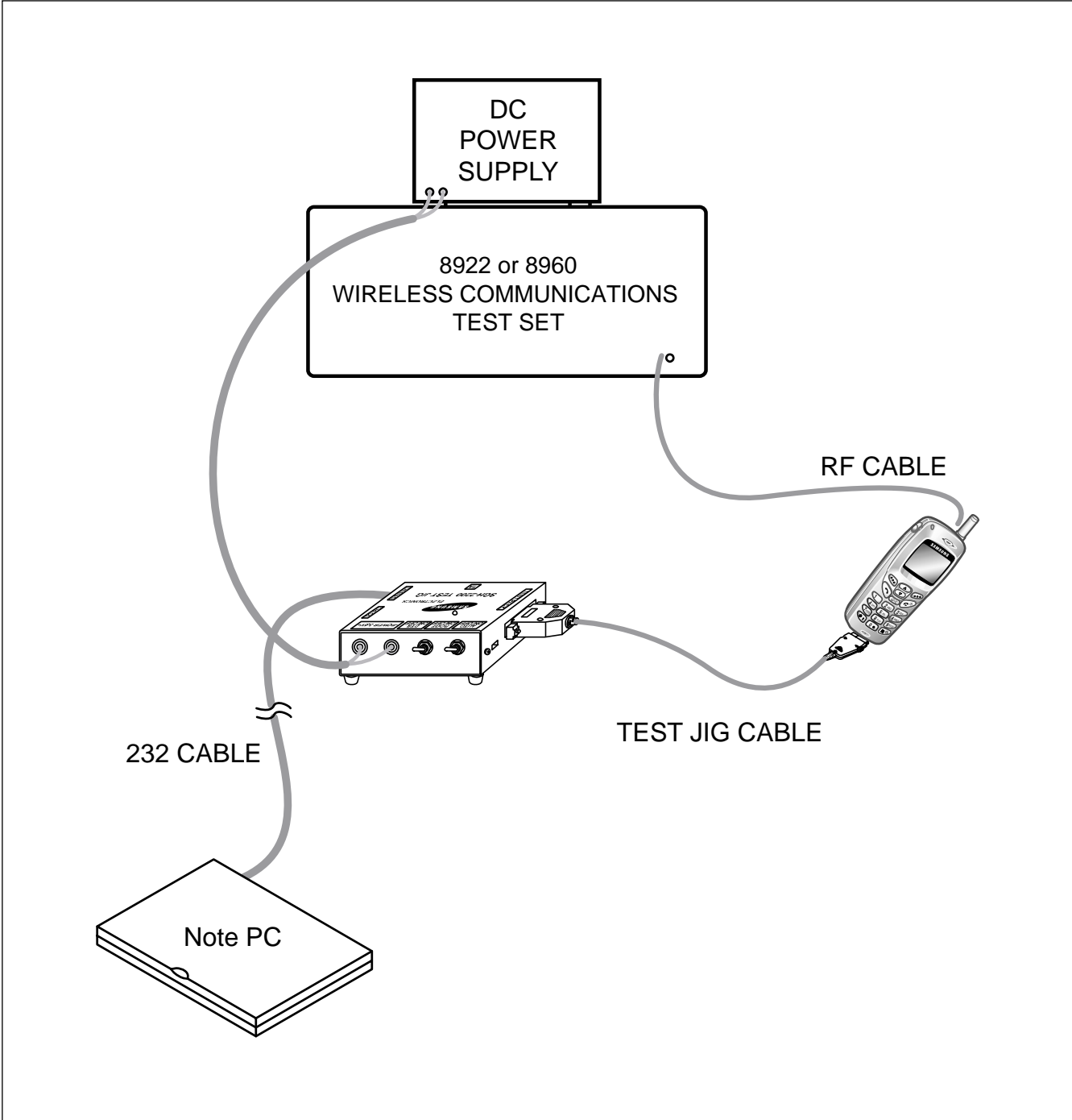
GH39-00079A



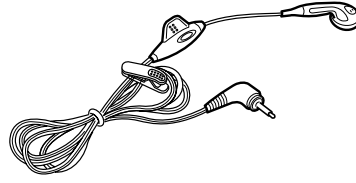
RF CABLE

GH39-00090A

1-7-1 Test Jig



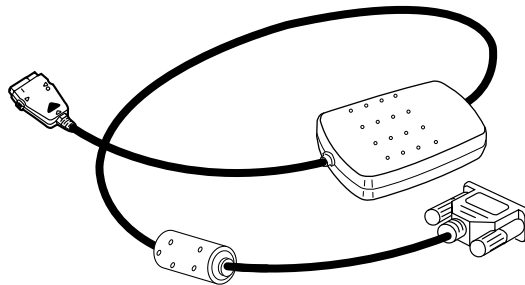
1-8 EAR Microphone



EAR MICROPHONE

GH59-00225B

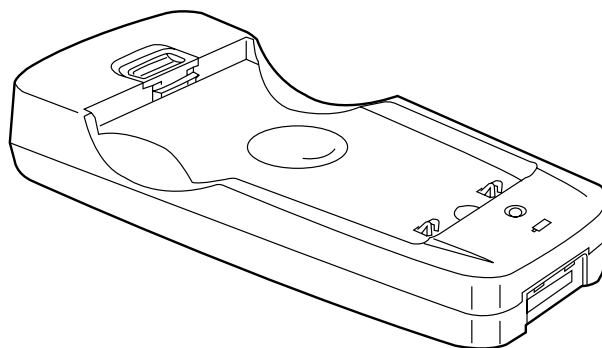
1-9 Data Kit



DATA KIT

GH39-00078A

1-10 Battery Charger

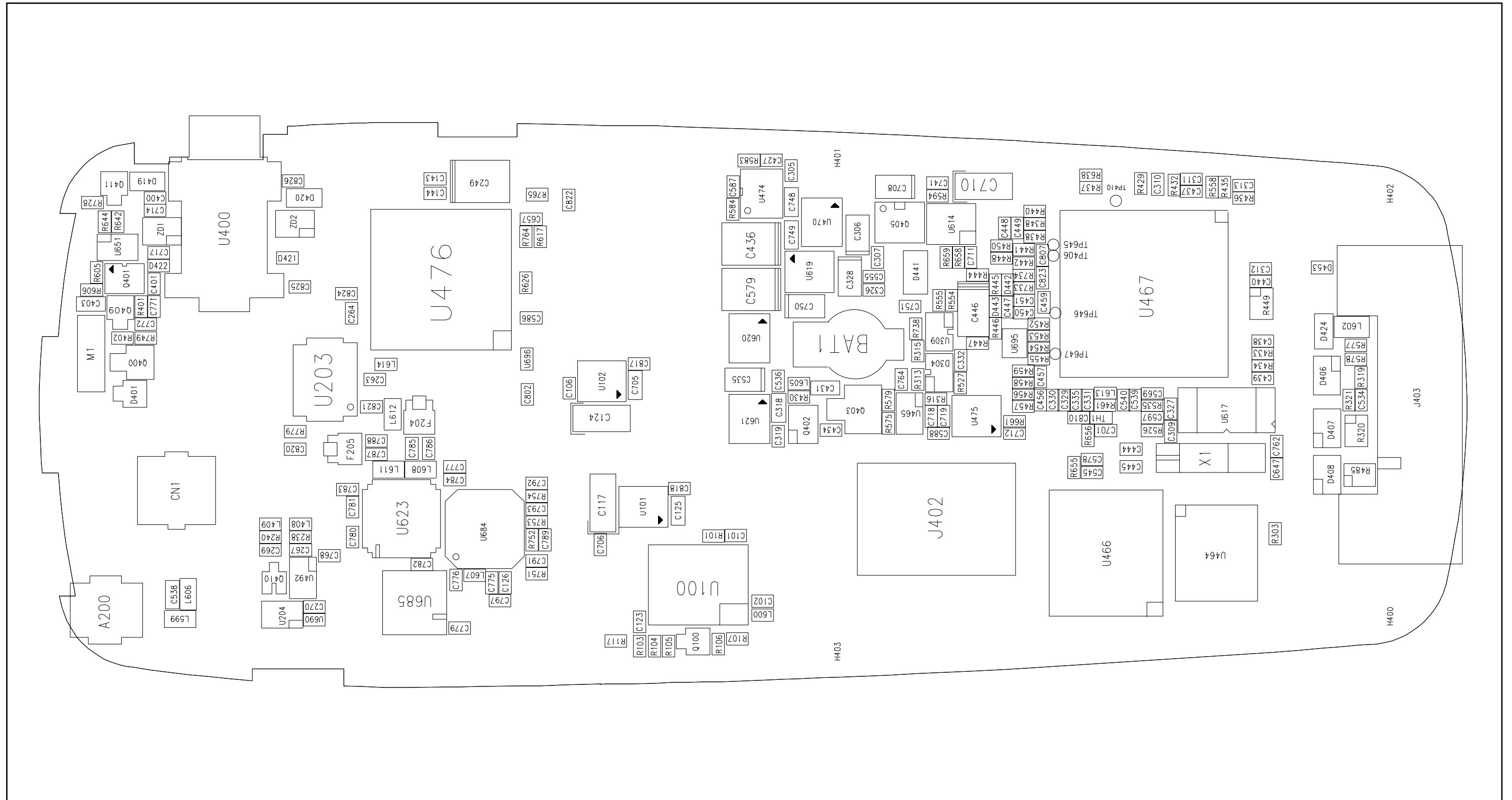


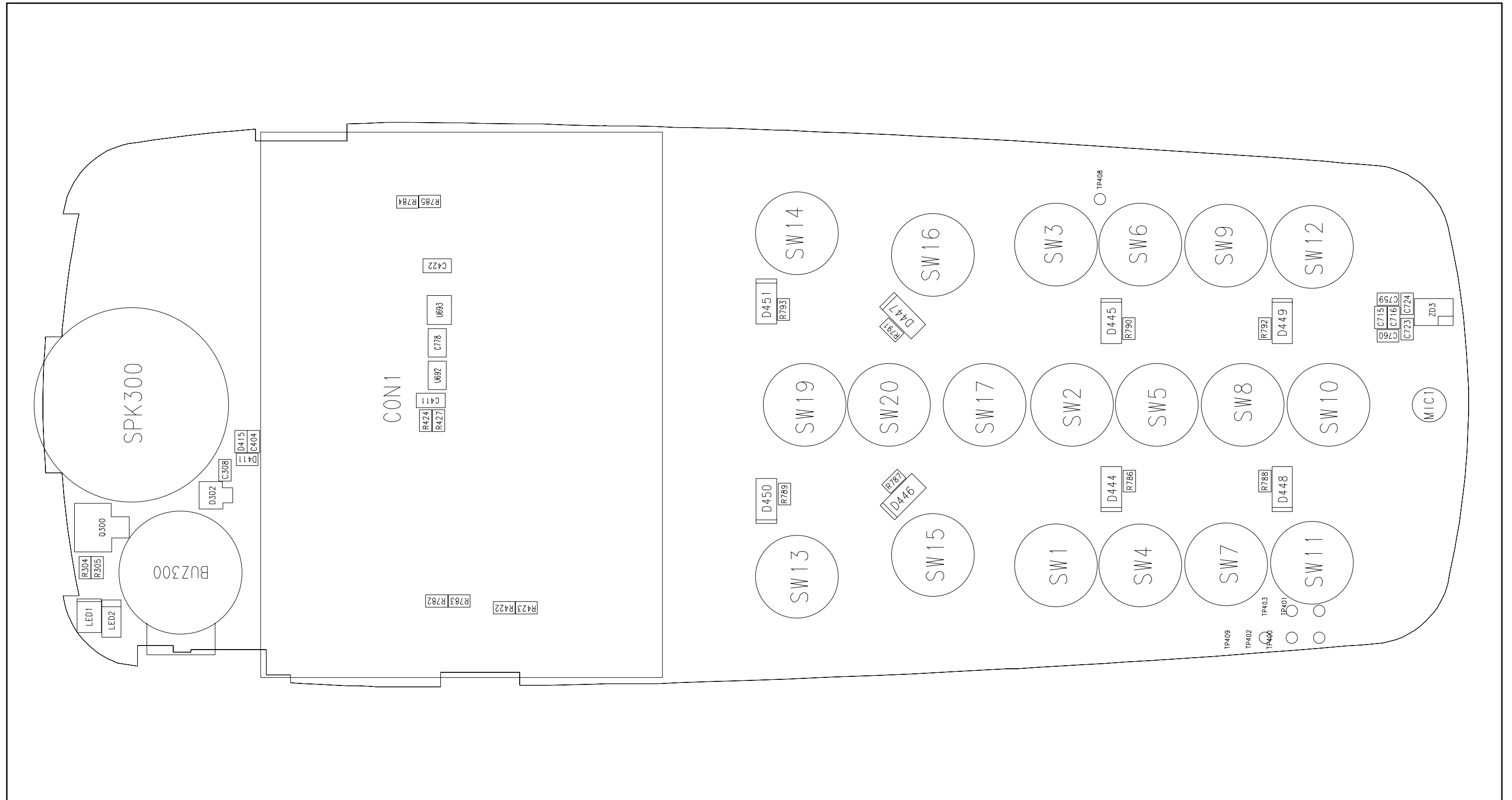
BATTERY CHAGER

GH44-00234A

2. PCB Diagrams

2-1 Main Top





3. Electrical Parts List

3-1 Main Parts List Top

NO	Reference	SEC CODE	Part	Description	Vendor Part No.
1	D441	0401-001033	DIODE-SWITCHING	"MCL4154,25V,200mA,M-MELF,TP"	MCL4154
2	D406	0406-001083	DIODE-TVS	"-,6.1/-7.2V,150W,SOT-323-5L"	ESDA6V1W5
3	D407	0406-001083	DIODE-TVS	"-,6.1/-7.2V,150W,SOT-323-5L"	ESDA6V1W5
4	D408	0406-001083	DIODE-TVS	"-,6.1/-7.2V,150W,SOT-323-5L"	ESDA6V1W5
5	ZD1	0406-001083	DIODE-TVS	"-,6.1/-7.2V,150W,SOT-323-5L"	ESDA6V1W5
6	ZD2	0406-001083	DIODE-TVS	"-,6.1/-7.2V,150W,SOT-323-5L"	ESDA6V1W5
7	D401	0407-001002	DIODE-ARRAY	"DAN222,80V,300mA,CA2-3,EM3,TP"	DAN222
8	D304	0407-001007	DIODE-ARRAY	"UMN1,80V,25mA,CA4-2,UM5,TR"	UMN1TR
9	Q400	0501-000162	TR-SMALL SIGNAL	"2SA1576,PNP,200MW,SOT-323,TP"	STA1576G
10	Q100	0501-000225	TR-SMALL SIGNAL	"2SC4617,NPN,200mW,EM3,TP,120-5"	2SC4617R
11	Q403	0501-002011	TR-SMALL SIGNAL	"2SD2114K,NPN,200mW,SOT-23,TP,8"	2SD2114KT146V
12	Q405	0502-001201	TR-POWER	"ZXT13P20DE6,PNP,1100MW,SOT-23-6"	ZXT13P20DE6TA
13	Q409	0504-000167	TR-DIGITAL	"RN1102,NPN,100MW,10K/10K,SSM,TP"	DTC114EET1
14	Q411	0504-001012	TR-DIGITAL	"DTC114YE,NPN,150MW,10K/47K,EMT3,TP"	DTC114YE
15	Q410	0504-001049	TR-DIGITAL	"DTA114YE,PNP,150MW,10K/47K,EMT3,TP"	DTA114YE
16	U204	0504-001058	TR-DIGITAL	"RN4985,NPN/PNP,200mW,2.2Kohm/47Kohm"	RN4985(TE85L)
17	U465	0504-001058	TR-DIGITAL	"RN4985,NPN/PNP,200mW,2.2Kohm/47Kohm"	RN4985(TE85L)
18	U492	0504-001058	TR-DIGITAL	"RN4985,NPN/PNP,200mW,2.2Kohm/47Kohm"	RN4985(TE85L)
19	Q401	0505-001332	FET-SILICON	"FDG6301,N,25V,0.22A,4OHM,.3W,SC70-6"	FDG6301N
20	U474	0505-001376	FET-SILICON	"FDC6329L,N/P,8V,2.5A,-,0.7W,SC-74"	SI3865DV-T1
21	Q402	0505-001570	FET-SILICON	"-,N/P,-,-,0.4W,SC70-6"	SI1865DL-T1
22	U309	0506-001004	TR-ARRAY	"UMC5N,NPN/PNP,2,50V,-,100mA,3"	UMC5NTR
23	U651	0506-001052	TR-ARRAY	"UMH9N,NPN,2,150MW,SC-88,TP,68-"	UMH9N-TN
24	U617	1103-001185	IC-EEPROM	"24A2561,32Kx8Bit,TSSOP,8P,-,1.8V,"	S524ADOXF1-RCTO
25	U464	1106-001400	IC-SRAM	"K6F4016U6E,.256KX16BIT,TBGA,48P,6X7MM"	K6F4016U6E
26	U466	1107-001304	IC-FLASH MEMORY	"AM29DL162,2MX8BIT,FBGA,48P,-,90NS,3V,10%"	AM29DL162DT-90WCI
27	U476	1201-001889	IC-POWER AMP	"3110,SMD-MODULE,40P,10X10MM,DUAL"	RF3110
28	U621	1203-001204	IC-VOLTAGE REGULATOR	"2981,SOT-23,5P,59MIL,PLASTIC,3"	LP2981AIM5X-3.3
29	U620	1203-001454	IC-VOLTAGE REGULATOR	"2981,SOT-23,5P,59MIL,PLASTIC,3"	LP2981AIM5X-3.0
30	U470	1203-001454	IC-VOLTAGE REGULATOR	"2981,SOT-23,5P,59MIL,PLASTIC,3"	LP2981AIM5X-3.0
31	U614	1203-002127	IC-BATTERY	"1734,SOT-23,6P,150MIL,PLASTIC,4.7/5.3V"	LTC1734ES6#TR
32	U475	1203-002247	IC-VOL. DETECTOR	"S-809,SOT-23-5,5P,-,-,150MW"	S-80926ALMP-DAP-T2
33	U102	1203-002598	IC-VOLTAGE REGULATOR	"2981,SOT-23,5P,2.92X1.6MM,PLASTIC"	LP2981AIM5X-2.8
34	U101	1203-002598	IC-VOLTAGE REGULATOR	"2981,SOT-23,5P,2.92X1.6MM,PLASTIC"	LP2981AIM5X-2.8

NO	Reference	SEC CODE	Part	Description	Vendor Part No.
35	U619	1203-002599	IC-VOLTAGE REGULATOR	"2981,SOT-23,5P,2.92X1.6MM,PLASTIC"	LP2981AIM5X-2.5
36	U467	1205-002035	IC-COMM. CONTROLLER	"VP40581B,FBGA,180P,-,PLASTIC,3.3V,-,"	VP40581B
37	U623	1205-002184	IC-TRANSCEIVER	"SI4200-BM,MLP,32P,5X5MM,-,3V,-,-20TO+85C"	SI4200-BM
38	U685	1205-002185	IC-INTERFACE	"SI4201-BM,MLP,20P,4X4MM,-,3V,-,-20TO+85C"	SI4201-BM
39	U684	1209-001434	IC-PLL/SYNTHESISER	"SI4133T-BM,MLP,28P,5X5MM,-,3V,-,-20TO+85C"	SI4133T-BM
40	TH1	1404-001256	THERMISTOR-NTC	"47KOHM,-,4500K,-,-,TP"	B57231-V2473-J60
41	D424	1405-001018	VARISTOR	"14V,-,1.6x0.8mm,TP"	VC060314A300R
42	D419	1405-001019	VARISTOR	"5.6V,-,1.6x0.8mm,TP"	VC060305A150R
43	D420	1405-001019	VARISTOR	"5.6V,-,1.6x0.8mm,TP"	VC060305A150R
44	D442	1405-001093	VARISTOR	"14V,20A,1x0.5x0.6mm,TP"	AVL 14K 02 200
45	D453	1405-001093	VARISTOR	"14V,20A,1x0.5x0.6mm,TP"	AVL 14K 02 200
46	D421	1405-001093	VARISTOR	"14V,20A,1x0.5x0.6mm,TP"	AVL 14K 02 200
47	D422	1405-001093	VARISTOR	"14V,20A,1x0.5x0.6mm,TP"	AVL 14K 02 200
48	D443	1405-001093	VARISTOR	"14V,20A,1x0.5x0.6mm,TP"	AVL 14K 02 200
49	R117	2007-000138	R-CHIP	"100ohm,5%,1/16W,DA,TP,1005"	ERJ2GEJ101X
50	R321	2007-000138	R-CHIP	"100ohm,5%,1/16W,DA,TP,1005"	ERJ2GEJ101X
51	R444	2007-000139	R-CHIP	"220ohm,5%,1/16W,DA,TP,1005"	ERJ2GEJ221X
52	R447	2007-000139	R-CHIP	"220ohm,5%,1/16W,DA,TP,1005"	ERJ2GEJ221X
53	R106	2007-000140	R-CHIP	"1Kohm,5%,1/16W,DA,TP,1005"	MCR01MZSJ102
54	R575	2007-000140	R-CHIP	"1Kohm,5%,1/16W,DA,TP,1005"	MCR01MZSJ102
55	R584	2007-000140	R-CHIP	"1Kohm,5%,1/16W,DA,TP,1005"	MCR01MZSJ102
56	R738	2007-000140	R-CHIP	"1Kohm,5%,1/16W,DA,TP,1005"	MCR01MZSJ102
57	R103	2007-000141	R-CHIP	"2.2Kohm,5%,1/16W,DA,TP,1005"	ERJ2GEJ222X
58	R433	2007-000141	R-CHIP	"2.2Kohm,5%,1/16W,DA,TP,1005"	ERJ2GEJ222X
59	R434	2007-000141	R-CHIP	"2.2Kohm,5%,1/16W,DA,TP,1005"	ERJ2GEJ222X
60	R402	2007-000142	R-CHIP	"2.7Kohm,5%,1/16W,DA,TP,1005"	MCR01MZSJ272
61	R101	2007-000148	R-CHIP	"10Kohm,5%,1/16W,DA,TP,1005"	RC1005J103CS
62	R238	2007-000148	R-CHIP	"10Kohm,5%,1/16W,DA,TP,1005"	RC1005J103CS
63	R240	2007-000148	R-CHIP	"10Kohm,5%,1/16W,DA,TP,1005"	RC1005J103CS
64	R303	2007-000148	R-CHIP	"10Kohm,5%,1/16W,DA,TP,1005"	RC1005J103CS
65	R313	2007-000148	R-CHIP	"10Kohm,5%,1/16W,DA,TP,1005"	RC1005J103CS
66	R315	2007-000148	R-CHIP	"10Kohm,5%,1/16W,DA,TP,1005"	RC1005J103CS
67	R348	2007-000148	R-CHIP	"10Kohm,5%,1/16W,DA,TP,1005"	RC1005J103CS
68	R430	2007-000148	R-CHIP	"10Kohm,5%,1/16W,DA,TP,1005"	RC1005J103CS
69	R461	2007-000148	R-CHIP	"10Kohm,5%,1/16W,DA,TP,1005"	RC1005J103CS
70	R527	2007-000148	R-CHIP	"10Kohm,5%,1/16W,DA,TP,1005"	RC1005J103CS
71	R535	2007-000148	R-CHIP	"10Kohm,5%,1/16W,DA,TP,1005"	RC1005J103CS
72	R554	2007-000148	R-CHIP	"10Kohm,5%,1/16W,DA,TP,1005"	RC1005J103CS
73	R558	2007-000148	R-CHIP	"10Kohm,5%,1/16W,DA,TP,1005"	RC1005J103CS
74	R655	2007-000148	R-CHIP	"10Kohm,5%,1/16W,DA,TP,1005"	RC1005J103CS
75	R661	2007-000148	R-CHIP	"10Kohm,5%,1/16W,DA,TP,1005"	RC1005J103CS

NO	Reference	SEC CODE	Part	Description	Vendor Part No.
76	R526	2007-000148	R-CHIP	"10Kohm,5%,1/16W,DA,TP,1005"	RC1005J103CS
77	R429	2007-000152	R-CHIP	"20Kohm,5%,1/16W,DA,TP,1005"	MCR01MZSJ203
78	R617	2007-000153	R-CHIP	"22Kohm,5%,1/16W,DA,TP,1005"	ERJ2GEJ223X
79	R764	2007-000153	R-CHIP	"22Kohm,5%,1/16W,DA,TP,1005"	ERJ2GEJ223X
80	R104	2007-000155	R-CHIP	"27Kohm,5%,1/16W,DA,TP,1005"	RC1005J273CS
81	R441	2007-000157	R-CHIP	"47Kohm,5%,1/16W,DA,TP,1005"	MCR01MZSJ473
82	R442	2007-000157	R-CHIP	"47Kohm,5%,1/16W,DA,TP,1005"	MCR01MZSJ473
83	R656	2007-000159	R-CHIP	"56Kohm,5%,1/16W,DA,TP,1005"	RC1005J563CS
84	R316	2007-000162	R-CHIP	"100Kohm,5%,1/16W,DA,TP,1005"	ERJ2GEJ104X
85	R432	2007-000162	R-CHIP	"100Kohm,5%,1/16W,DA,TP,1005"	ERJ2GEJ104X
86	R435	2007-000162	R-CHIP	"100Kohm,5%,1/16W,DA,TP,1005"	ERJ2GEJ104X
87	R437	2007-000162	R-CHIP	"100Kohm,5%,1/16W,DA,TP,1005"	ERJ2GEJ104X
88	R438	2007-000162	R-CHIP	"100Kohm,5%,1/16W,DA,TP,1005"	ERJ2GEJ104X
89	R450	2007-000162	R-CHIP	"100Kohm,5%,1/16W,DA,TP,1005"	ERJ2GEJ104X
90	R555	2007-000162	R-CHIP	"100Kohm,5%,1/16W,DA,TP,1005"	ERJ2GEJ104X
91	R579	2007-000162	R-CHIP	"100Kohm,5%,1/16W,DA,TP,1005"	ERJ2GEJ104X
92	R583	2007-000162	R-CHIP	"100Kohm,5%,1/16W,DA,TP,1005"	ERJ2GEJ104X
93	R605	2007-000162	R-CHIP	"100Kohm,5%,1/16W,DA,TP,1005"	ERJ2GEJ104X
94	R606	2007-000162	R-CHIP	"100Kohm,5%,1/16W,DA,TP,1005"	ERJ2GEJ104X
95	R638	2007-000162	R-CHIP	"100Kohm,5%,1/16W,DA,TP,1005"	ERJ2GEJ104X
96	R440	2007-000168	R-CHIP	"470Kohm,5%,1/16W,DA,TP,1005"	RK73K1ETP474J
97	R577	2007-000172	R-CHIP	"10ohm,5%,1/16W,DA,TP,1005"	RC1005J100CS
98	R578	2007-000172	R-CHIP	"10ohm,5%,1/16W,DA,TP,1005"	RC1005J100CS
99	R105	2007-001244	R-CHIP	"91Kohm,5%,1/16W,DA,TP,1005"	RC1005J913CS
100	R751	2007-001298	R-CHIP	"51ohm,5%,1/16W,DA,TP,1005"	MCR01MZSJ510
101	R752	2007-001298	R-CHIP	"51ohm,5%,1/16W,DA,TP,1005"	MCR01MZSJ510
102	R753	2007-001298	R-CHIP	"51ohm,5%,1/16W,DA,TP,1005"	MCR01MZSJ510
103	R754	2007-001298	R-CHIP	"51ohm,5%,1/16W,DA,TP,1005"	MCR01MZSJ510
104	R107	2007-001298	R-CHIP	"51ohm,5%,1/16W,DA,TP,1005"	MCR01MZSJ510
105	R445	2007-002796	R-CHIP	"510ohm,5%,1/16W,DA,TP,1005"	MCR01MZSJ511
106	R446	2007-002796	R-CHIP	"510ohm,5%,1/16W,DA,TP,1005"	MCR01MZSJ511
107	R728	2007-002970	R-CHIP	"56OHM,5%,1/16W,DA,TP,1005"	RC1005J560CS
108	R644	2007-007009	R-CHIP	"75OHM,5%,1/16W,DA,TP,1005"	ERJ2GEJ750X
109	R749	2007-007015	R-CHIP	"13KOHM,5%,1/16W,DA,TP,1005"	MCR01MZSJ133
110	R642	2007-007095	R-CHIP	"390OHM,5%,1/16W,DA,TP,1005"	MCR01MZSJ391
111	R658	2007-007107	R-CHIP	"100Kohm,1%,1/16W,DA,TP,1005"	RK73H1ETP1003F
112	R452	2007-007317	R-CHIP	"2.2Kohm,1%,1/16W,DA,TP,1005"	MCR01MZSF2201
113	R453	2007-007317	R-CHIP	"2.2Kohm,1%,1/16W,DA,TP,1005"	MCR01MZSF2201
114	R454	2007-007317	R-CHIP	"2.2Kohm,1%,1/16W,DA,TP,1005"	MCR01MZSF2201
115	R455	2007-007317	R-CHIP	"2.2Kohm,1%,1/16W,DA,TP,1005"	MCR01MZSF2201
116	R456	2007-007318	R-CHIP	"1Kohm,1%,1/16W,DA,TP,1005"	RK73H1ETP1001F
117	R457	2007-007318	R-CHIP	"1Kohm,1%,1/16W,DA,TP,1005"	RK73H1ETP1001F
118	R458	2007-007318	R-CHIP	"1Kohm,1%,1/16W,DA,TP,1005"	RK73H1ETP1001F

NO	Reference	SEC CODE	Part	Description	Vendor Part No.
119	R459	2007-007318	R-CHIP	"1Kohm,1%,1/16W,DA,TP,1005"	RK73H1ETP1001F
120	R659	2007-007590	R-CHIP	"82Kohm,1%,1/16W,DA,TP,1005"	ERJ2RKF8202X
121	R319	2007-007771	R-CHIP	"0OHM,5%,1/16W,DA,TP,1005"	RC1005J000CS
122	R401	2007-007771	R-CHIP	"0OHM,5%,1/16W,DA,TP,1005"	RC1005J000CS
123	R626	2007-007771	R-CHIP	"0OHM,5%,1/16W,DA,TP,1005"	RC1005J000CS
124	R733	2007-007771	R-CHIP	"0OHM,5%,1/16W,DA,TP,1005"	RC1005J000CS
125	R734	2007-007771	R-CHIP	"0OHM,5%,1/16W,DA,TP,1005"	RC1005J000CS
126	R765	2007-007771	R-CHIP	"0OHM,5%,1/16W,DA,TP,1005"	RC1005J000CS
127	R779	2007-007771	R-CHIP	"0OHM,5%,1/16W,DA,TP,1005"	RC1005J000CS
128	U696	2007-007771	R-CHIP	"0OHM,5%,1/16W,DA,TP,1005"	RC1005J000CS
129	R594	2007-008117	R-CHIP	"2.7Kohm,1%,1/16W,DA,TP,1005"	RK73H1ETP2701F
130	R320	2011-001344	R-NETWORK	"100ohm,5%,1/16W,L,CHIP,8P,TP"	EXB28V101JX
131	R485	2011-001344	R-NETWORK	"100ohm,5%,1/16W,L,CHIP,8P,TP"	EXB28V101JX
132	R449	2011-001345	R-NETWORK	"10Kohm,5%,1/16W,L,CHIP,8P,TP"	EXB28V103JX
133	C126	2203-000233	"C-CERAMIC,CHIP"	"0.1nF,5%,50V,NP0,TP,1005"	GRP1555C1H101JD01E
134	C144	2203-000233	"C-CERAMIC,CHIP"	"0.1nF,5%,50V,NP0,TP,1005"	GRP1555C1H101JD01E
135	C305	2203-000233	"C-CERAMIC,CHIP"	"0.1nF,5%,50V,NP0,TP,1005"	GRP1555C1H101JD01E
136	C657	2203-000233	"C-CERAMIC,CHIP"	"0.1nF,5%,50V,NP0,TP,1005"	GRP1555C1H101JD01E
137	C719	2203-000233	"C-CERAMIC,CHIP"	"0.1nF,5%,50V,NP0,TP,1005"	GRP1555C1H101JD01E
138	C718	2203-000233	"C-CERAMIC,CHIP"	"0.1nF,5%,50V,NP0,TP,1005"	GRP1555C1H101JD01E
139	C764	2203-000233	"C-CERAMIC,CHIP"	"0.1nF,5%,50V,NP0,TP,1005"	GRP1555C1H101JD01E
140	C789	2203-000233	"C-CERAMIC,CHIP"	"0.1nF,5%,50V,NP0,TP,1005"	GRP1555C1H101JD01E
141	C791	2203-000233	"C-CERAMIC,CHIP"	"0.1nF,5%,50V,NP0,TP,1005"	GRP1555C1H101JD01E
142	C792	2203-000233	"C-CERAMIC,CHIP"	"0.1nF,5%,50V,NP0,TP,1005"	GRP1555C1H101JD01E
143	C793	2203-000233	"C-CERAMIC,CHIP"	"0.1nF,5%,50V,NP0,TP,1005"	GRP1555C1H101JD01E
144	C797	2203-000233	"C-CERAMIC,CHIP"	"0.1nF,5%,50V,NP0,TP,1005"	GRP1555C1H101JD01E
145	C101	2203-000254	"C-CERAMIC,CHIP"	"10nF,10%,16V,X7R,TP,1005,-"	CM05X7R103K16AH
146	C102	2203-000254	"C-CERAMIC,CHIP"	"10nF,10%,16V,X7R,TP,1005,-"	CM05X7R103K16AH
147	C123	2203-000254	"C-CERAMIC,CHIP"	"10nF,10%,16V,X7R,TP,1005,-"	CM05X7R103K16AH
148	C307	2203-000254	"C-CERAMIC,CHIP"	"10nF,10%,16V,X7R,TP,1005,-"	CM05X7R103K16AH
149	C309	2203-000254	"C-CERAMIC,CHIP"	"10nF,10%,16V,X7R,TP,1005,-"	CM05X7R103K16AH
150	C313	2203-000254	"C-CERAMIC,CHIP"	"10nF,10%,16V,X7R,TP,1005,-"	CM05X7R103K16AH
151	C319	2203-000254	"C-CERAMIC,CHIP"	"10nF,10%,16V,X7R,TP,1005,-"	CM05X7R103K16AH
152	C326	2203-000254	"C-CERAMIC,CHIP"	"10nF,10%,16V,X7R,TP,1005,-"	CM05X7R103K16AH
153	C331	2203-000254	"C-CERAMIC,CHIP"	"10nF,10%,16V,X7R,TP,1005,-"	CM05X7R103K16AH
154	C335	2203-000254	"C-CERAMIC,CHIP"	"10nF,10%,16V,X7R,TP,1005,-"	CM05X7R103K16AH
155	C434	2203-000254	"C-CERAMIC,CHIP"	"10nF,10%,16V,X7R,TP,1005,-"	CM05X7R103K16AH
156	C440	2203-000254	"C-CERAMIC,CHIP"	"10nF,10%,16V,X7R,TP,1005,-"	CM05X7R103K16AH
157	C449	2203-000254	"C-CERAMIC,CHIP"	"10nF,10%,16V,X7R,TP,1005,-"	CM05X7R103K16AH
158	C536	2203-000254	"C-CERAMIC,CHIP"	"10nF,10%,16V,X7R,TP,1005,-"	CM05X7R103K16AH
159	C587	2203-000254	"C-CERAMIC,CHIP"	"10nF,10%,16V,X7R,TP,1005,-"	CM05X7R103K16AH
160	C712	2203-000254	"C-CERAMIC,CHIP"	"10nF,10%,16V,X7R,TP,1005,-"	CM05X7R103K16AH
161	C762	2203-000254	"C-CERAMIC,CHIP"	"10nF,10%,16V,X7R,TP,1005,-"	CM05X7R103K16AH

NO	Reference	SEC CODE	Part	Description	Vendor Part No.
162	C807	2203-000254	"C-CERAMIC,CHIP"	"10nF,10%,16V,X7R,TP,1005,-"	CM05X7R103K16AH
163	C444	2203-000425	"C-CERAMIC,CHIP"	"0.018nF,5%,50V,NP0,TP,1005"	CM05CG180J50AH
164	C445	2203-000425	"C-CERAMIC,CHIP"	"0.018nF,5%,50V,NP0,TP,1005"	CM05CG180J50AH
165	C270	2203-000438	"C-CERAMIC,CHIP"	"1nF,10%,50V,X7R,TP,1005,-"	ECUE1H102KBQ
166	C821	2203-000628	"C-CERAMIC,CHIP"	"0.022nF,5%,50V,NP0,TP,1005"	GRP1555C1H220JZ01E
167	C267	2203-000679	"C-CERAMIC,CHIP"	"0.027nF,5%,50V,NP0,TP,1005"	CM05CG270J50AH
168	C269	2203-000679	"C-CERAMIC,CHIP"	"0.027nF,5%,50V,NP0,TP,1005"	CM05CG270J50AH
169	C330	2203-000679	"C-CERAMIC,CHIP"	"0.027nF,5%,50V,NP0,TP,1005"	CM05CG270J50AH
170	C540	2203-000679	"C-CERAMIC,CHIP"	"0.027nF,5%,50V,NP0,TP,1005"	CM05CG270J50AH
171	C555	2203-000679	"C-CERAMIC,CHIP"	"0.027nF,5%,50V,NP0,TP,1005"	CM05CG270J50AH
172	C569	2203-000679	"C-CERAMIC,CHIP"	"0.027nF,5%,50V,NP0,TP,1005"	CM05CG270J50AH
173	C586	2203-000679	"C-CERAMIC,CHIP"	"0.027nF,5%,50V,NP0,TP,1005"	CM05CG270J50AH
174	C741	2203-000679	"C-CERAMIC,CHIP"	"0.027nF,5%,50V,NP0,TP,1005"	CM05CG270J50AH
175	C768	2203-000679	"C-CERAMIC,CHIP"	"0.027nF,5%,50V,NP0,TP,1005"	CM05CG270J50AH
176	C771	2203-000679	"C-CERAMIC,CHIP"	"0.027nF,5%,50V,NP0,TP,1005"	CM05CG270J50AH
177	C772	2203-000679	"C-CERAMIC,CHIP"	"0.027nF,5%,50V,NP0,TP,1005"	CM05CG270J50AH
178	C817	2203-000679	"C-CERAMIC,CHIP"	"0.027nF,5%,50V,NP0,TP,1005"	CM05CG270J50AH
179	C818	2203-000679	"C-CERAMIC,CHIP"	"0.027nF,5%,50V,NP0,TP,1005"	CM05CG270J50AH
180	C823	2203-000679	"C-CERAMIC,CHIP"	"0.027nF,5%,50V,NP0,TP,1005"	CM05CG270J50AH
181	U690	2203-000679	"C-CERAMIC,CHIP"	"0.027nF,5%,50V,NP0,TP,1005"	CM05CG270J50AH
182	C143	2203-000812	"C-CERAMIC,CHIP"	"0.033nF,5%,50V,NP0,TP,1005"	GRP1555C1H330JZ01E+C01
183	C264	2203-000812	"C-CERAMIC,CHIP"	"0.033nF,5%,50V,NP0,TP,1005"	GRP1555C1H330JZ01E+C01
184	C310	2203-000812	"C-CERAMIC,CHIP"	"0.033nF,5%,50V,NP0,TP,1005"	GRP1555C1H330JZ01E+C01
185	C311	2203-000812	"C-CERAMIC,CHIP"	"0.033nF,5%,50V,NP0,TP,1005"	GRP1555C1H330JZ01E+C01
186	C448	2203-000812	"C-CERAMIC,CHIP"	"0.033nF,5%,50V,NP0,TP,1005"	GRP1555C1H330JZ01E+C01
187	C647	2203-000812	"C-CERAMIC,CHIP"	"0.033nF,5%,50V,NP0,TP,1005"	GRP1555C1H330JZ01E+C01
188	C802	2203-000812	"C-CERAMIC,CHIP"	"0.033nF,5%,50V,NP0,TP,1005"	GRP1555C1H330JZ01E+C01
189	C312	2203-000812	"C-CERAMIC,CHIP"	"0.033nF,5%,50V,NP0,TP,1005"	GRP1555C1H330JZ01E+C01
190	C327	2203-000812	"C-CERAMIC,CHIP"	"0.033nF,5%,50V,NP0,TP,1005"	GRP1555C1H330JZ01E+C01
191	C437	2203-000812	"C-CERAMIC,CHIP"	"0.033nF,5%,50V,NP0,TP,1005"	GRP1555C1H330JZ01E+C01
192	C822	2203-000812	"C-CERAMIC,CHIP"	"0.033nF,5%,50V,NP0,TP,1005"	GRP1555C1H330JZ01E+C01
193	C263	2203-000812	"C-CERAMIC,CHIP"	"0.033nF,5%,50V,NP0,TP,1005"	GRP1555C1H330JZ01E+C01
194	C438	2203-000812	"C-CERAMIC,CHIP"	"0.033nF,5%,50V,NP0,TP,1005"	GRP1555C1H330JZ01E+C01
195	C439	2203-000812	"C-CERAMIC,CHIP"	"0.033nF,5%,50V,NP0,TP,1005"	GRP1555C1H330JZ01E+C01
196	C400	2203-000854	"C-CERAMIC,CHIP"	"0.039nF,5%,50V,NP0,TP,1005"	CM05CG390J50AH
197	C401	2203-000854	"C-CERAMIC,CHIP"	"0.039nF,5%,50V,NP0,TP,1005"	CM05CG390J50AH
198	C825	2203-000854	"C-CERAMIC,CHIP"	"0.039nF,5%,50V,NP0,TP,1005"	CM05CG390J50AH
199	C826	2203-000854	"C-CERAMIC,CHIP"	"0.039nF,5%,50V,NP0,TP,1005"	CM05CG390J50AH
200	C447	2203-000995	"C-CERAMIC,CHIP"	"0.047nF,5%,50V,NP0,TP,1005"	GRP1555C1H470JZ01E+C01
201	C824	2203-001383	"C-CERAMIC,CHIP"	"0.0005nF,0.25pF,50V,NP0,TP,1005"	GRP1555C1HR50CZ01E+C01
202	C775	2203-001405	"C-CERAMIC,CHIP"	"22nF,+80-20%,25V,Y5V,TP,1005"	GRP155F51E223ZA01E+A01
203	C776	2203-001405	"C-CERAMIC,CHIP"	"22nF,+80-20%,25V,Y5V,TP,1005"	GRP155F51E223ZA01E+A01
204	C777	2203-001405	"C-CERAMIC,CHIP"	"22nF,+80-20%,25V,Y5V,TP,1005"	GRP155F51E223ZA01E+A01

NO	Reference	SEC CODE	Part	Description	Vendor Part No.
205	C779	2203-001405	"C-CERAMIC,CHIP"	"22nF,+80-20%,25V,Y5V,TP,1005"	GRP155F51E223ZA01E+A01
206	C780	2203-001405	"C-CERAMIC,CHIP"	"22nF,+80-20%,25V,Y5V,TP,1005"	GRP155F51E223ZA01E+A01
207	C781	2203-001405	"C-CERAMIC,CHIP"	"22nF,+80-20%,25V,Y5V,TP,1005"	GRP155F51E223ZA01E+A01
208	C782	2203-001405	"C-CERAMIC,CHIP"	"22nF,+80-20%,25V,Y5V,TP,1005"	GRP155F51E223ZA01E+A01
209	C783	2203-001405	"C-CERAMIC,CHIP"	"22nF,+80-20%,25V,Y5V,TP,1005"	GRP155F51E223ZA01E+A01
210	C784	2203-001405	"C-CERAMIC,CHIP"	"22nF,+80-20%,25V,Y5V,TP,1005"	GRP155F51E223ZA01E+A01
211	C329	2203-003054	"C-CERAMIC,CHIP"	"0.009nF,0.25pF,50V,NP0,TP,1005"	CM05CG9R0C50AH
212	C539	2203-003054	"C-CERAMIC,CHIP"	"0.009nF,0.25pF,50V,NP0,TP,1005"	CM05CG9R0C50AH
213	C787	2203-005050	"C-CERAMIC,CHIP"	"0.0018nF,0.25pF,50V,NP0,TP,1005"	CL05C1R8CBNC
214	C788	2203-005050	"C-CERAMIC,CHIP"	"0.0018nF,0.25pF,50V,NP0,TP,1005"	CL05C1R8CBNC
215	C106	2203-005061	"C-CERAMIC,CHIP"	"100nF,+80-20%,16V,Y5V,TP,1005"	GRP155F51C104ZA01E
216	C332	2203-005061	"C-CERAMIC,CHIP"	"100nF,+80-20%,16V,Y5V,TP,1005"	GRP155F51C104ZA01E
217	C427	2203-005061	"C-CERAMIC,CHIP"	"100nF,+80-20%,16V,Y5V,TP,1005"	GRP155F51C104ZA01E
218	C534	2203-005061	"C-CERAMIC,CHIP"	"100nF,+80-20%,16V,Y5V,TP,1005"	GRP155F51C104ZA01E
219	C545	2203-005061	"C-CERAMIC,CHIP"	"100nF,+80-20%,16V,Y5V,TP,1005"	GRP155F51C104ZA01E
220	C578	2203-005061	"C-CERAMIC,CHIP"	"100nF,+80-20%,16V,Y5V,TP,1005"	GRP155F51C104ZA01E
221	C588	2203-005061	"C-CERAMIC,CHIP"	"100nF,+80-20%,16V,Y5V,TP,1005"	GRP155F51C104ZA01E
222	C597	2203-005061	"C-CERAMIC,CHIP"	"100nF,+80-20%,16V,Y5V,TP,1005"	GRP155F51C104ZA01E
223	C701	2203-005061	"C-CERAMIC,CHIP"	"100nF,+80-20%,16V,Y5V,TP,1005"	GRP155F51C104ZA01E
224	C706	2203-005061	"C-CERAMIC,CHIP"	"100nF,+80-20%,16V,Y5V,TP,1005"	GRP155F51C104ZA01E
225	C711	2203-005061	"C-CERAMIC,CHIP"	"100nF,+80-20%,16V,Y5V,TP,1005"	GRP155F51C104ZA01E
226	C318	2203-005065	"C-CERAMIC,CHIP"	"1000nF,+80-20%,10V,Y5V,TP,1608"	CL10F105ZPNC
227	C403	2203-005065	"C-CERAMIC,CHIP"	"1000nF,+80-20%,10V,Y5V,TP,1608"	CL10F105ZPNC
228	C431	2203-005065	"C-CERAMIC,CHIP"	"1000nF,+80-20%,10V,Y5V,TP,1608"	CL10F105ZPNC
229	C705	2203-005065	"C-CERAMIC,CHIP"	"1000nF,+80-20%,10V,Y5V,TP,1608"	CL10F105ZPNC
230	C748	2203-005065	"C-CERAMIC,CHIP"	"1000nF,+80-20%,10V,Y5V,TP,1608"	CL10F105ZPNC
231	C749	2203-005065	"C-CERAMIC,CHIP"	"1000nF,+80-20%,10V,Y5V,TP,1608"	CL10F105ZPNC
232	C125	2203-005065	"C-CERAMIC,CHIP"	"1000nF,+80-20%,10V,Y5V,TP,1608"	CL10F105ZPNC
233	C785	2203-005234	"C-CERAMIC,CHIP"	"0.0012nF,0.25pF,50V,NP0,TP,1005"	CL05C1R2CBNC
234	C786	2203-005234	"C-CERAMIC,CHIP"	"0.0012nF,0.25pF,50V,NP0,TP,1005"	CL05C1R2CBNC
235	C538	2203-005378	"C-CERAMIC,CHIP"	"0.0024nF,0.25pF,50V,NP0,TP,1608"	CL10C2R4CBNC
236	C450	2203-005480	"C-CERAMIC,CHIP"	"33nF,10%,10V,X7R,TP,1005,-"	C1005X7R1A333KT
237	C451	2203-005480	"C-CERAMIC,CHIP"	"33nF,10%,10V,X7R,TP,1005,-"	C1005X7R1A333KT
238	C459	2203-005481	"C-CERAMIC,CHIP"	"47nF,10%,10V,X7R,TP,1005,-"	GRP155R71A473KA01E
239	C751	2203-005482	"C-CERAMIC,CHIP"	"100nF,10%,10V,X5R,TP,1005,-"	GRP155R61A104KA01E+A02
240	C456	2203-005503	"C-CERAMIC,CHIP"	"0.18nF,5%,25V,NP0,TP,1005"	GRP1556C1E181JD01E+C02
241	C457	2203-005503	"C-CERAMIC,CHIP"	"0.18nF,5%,25V,NP0,TP,1005"	GRP1556C1E181JD01E+C02
242	C124	2404-001020	"C-TA,CHIP"	"10uF,20%,10V,GP,TP,3216,3.2"	TAJA106M010R
243	C710	2404-001020	"C-TA,CHIP"	"10uF,20%,10V,GP,TP,3216,3.2"	TAJA106M010R
244	C117	2404-001020	"C-TA,CHIP"	"10uF,20%,10V,GP,TP,3216,3.2"	TAJA106M010R
245	C306	2404-001105	"C-TA,CHIP"	"10UF,20%,6.3V,GP,TP,2012"	TAJR106M006R
246	C328	2404-001105	"C-TA,CHIP"	"10UF,20%,6.3V,GP,TP,2012"	TAJR106M006R
247	C535	2404-001105	"C-TA,CHIP"	"10UF,20%,6.3V,GP,TP,2012"	TAJR106M006R

NO	Reference	SEC CODE	Part	Description	Vendor Part No.
248	C708	2404-001105	"C-TA,CHIP"	"10UF,20%,6.3V,GP,TP,2012"	TAJR106M006R
249	C750	2404-001105	"C-TA,CHIP"	"10UF,20%,6.3V,GP,TP,2012"	TAJR106M006R
250	C436	2404-001134	"C-TA,CHIP"	"100UF,20%,6.3V,LZ,TP,4028"	595D107X06R3B2T
251	C579	2404-001134	"C-TA,CHIP"	"100UF,20%,6.3V,LZ,TP,4028"	595D107X06R3B2T
252	C446	2404-001162	"C-TA,CHIP"	"47uF,20%,4V,LZ,TP,3216"	F950G476MAAJZTQ2
253	C249	2404-001276	"C-TA,CHIP"	"100UF,20%,6.3V,WT,TP,3528"	TPSB107M006R0400
254	U695	2503-001041	C-NETWORK	"100PFX4,10%,25V,-"	W2A43A101KAT2A
255	L599	2703-001284	INDUCTOR-SMD	"5.6nH,0.3nH,1.6x0.8x0.8mm"	HK1608-5N6S-T
256	L611	2703-001512	INDUCTOR-SMD	"27nH,5%,1.8x1.12x1.02mm"	0603CS-27NXJBC
257	L607	2703-001751	INDUCTOR-SMD	"3.9nH,0.3nH,1.0x0.5x0.5mm"	LL1005-FH3N9S
258	L600	2703-001943	INDUCTOR-SMD	"10nH,5%,1.0x0.5x0.5mm"	HK1005-10NJ-T
259	L408	2703-001986	INDUCTOR-SMD	"33nH,5%,1.0x0.5x0.5mm"	MLK1005S33NJT
260	L409	2703-001986	INDUCTOR-SMD	"33nH,5%,1.0x0.5x0.5mm"	MLK1005S33NJT
261	L608	2703-002165	INDUCTOR-SMD	"7.5nH,5%,1.6x1.12x1.02 mm"	0603CS-7N5XJBC
262	L613	2703-002269	INDUCTOR-SMD	"56NH,10%,1.0X0.5X0.5MM"	CIH05T56NJNC
263	L612	2703-002416	INDUCTOR-SMD	"3.9NH,5%,1608"	0603CS-3N9XJBW
264	X1	2801-004060	CRYSTAL-SMD	"0.032768MHZ,30PPM,-,12.5PF,90OHM,TR"	MS2V-TS
265	U100	2809-001254	OSCILLATOR -VCTCXO	"13MHZ,3PPM,10KOHM//10PF,TP,3V,2MA"	TOA1300VAI4KRA
266	F205	2904-001386	FILTER-SAW	"942.5MHZ,-,1.9DB,TP,925-960MHZ/2.6DB,-"	B7706
267	F204	2904-001387	FILTER-SAW	"1.8425GHZ,-,1.1DB,TP, 1805-1880MHZ/3.0DB,-"	B7716
268	U203	2909-001146	FILTER-DUPLEXER	"942.5MHZ,897.5MHZ,1.4/1.5DB,TP,-,-"	LMG002S-5008C
269	L602	3301-001120	CORE-FERRITE BEAD	"AB,30ohm,2x1.25x0.85mm,3000mA,TP"	BLM21PG300SN1D
270	L605	3301-001362	CORE-FERRITE BEAD	"AB,1kohm,1x0.5x0.5mm,50mA,TP,"	BLM15AG102PN1D
271	CN1	3705-001226	CONNECTOR -COAXIAL	"MCX,JACK,75MOHM,50OHM,0.45DB"	MHC-188
272	J402	3709-001088	CONNECTOR -CARD EDGE	"6P,2.54mm,SMD-S,AU"	2-1483271-2
273	M1	3710-001105	CONNECTOR-SOCKET	"2P,1R,1.27mm,SMD-S,AU"	24-8005-002-100-867
274	J403	3710-001595	CONNECTOR-SOCKET	"18P,1R,0.5mm,SMD-A,AUF"	1004-0018-304
275	U400	3722-001587	JACK-PHONE	"6P,2.6PI,AG,BLK,-"	02-828D0-53BKA
276	BAT1	4302-001119	BATTERY-LI(2ND)	"3V,0.1MAH,-,-,3.1V,-"	RB414II06N
277		GH41-00276A	PCB-SGHR210S	"SGH-R210S,MR500,6L, -,0.8T,118X155MM,-,-,-"	SGH-R210S/220S
278		GH61-00026A	SPRING ETC -ANT.CONTACT	"SGH-N620,BE-CU,-,-,-,-,GLD,-,-"	SPRING ETC -ANT.CONTACT
279		GH96-00970A	ELA ETC-SGHR210S	"SGH-R210S,SAMSUNG,SEA,-,-,-"	ELA ETC-SGHR210S
280		GH07-00075B	LCD-SGHR220 LCD	"UG-12B98-FLHTX-A,SGH-R220,128X64,"	UG-12B98-FLHTX-A
281		GH72-02984B	PPR-SGHR210 METAL DOME	"SGH-R210,PET+SUS301,WHT,51.38X39.52"	SGHR210 METAL DOME
282		GH74-02030A	MPR-ANT CONTACT SPONGE	"SGH-R210,PORON SPONGE,5X4XT0.7,BLK,"	SGH-R210 ANT CONTACT SPON

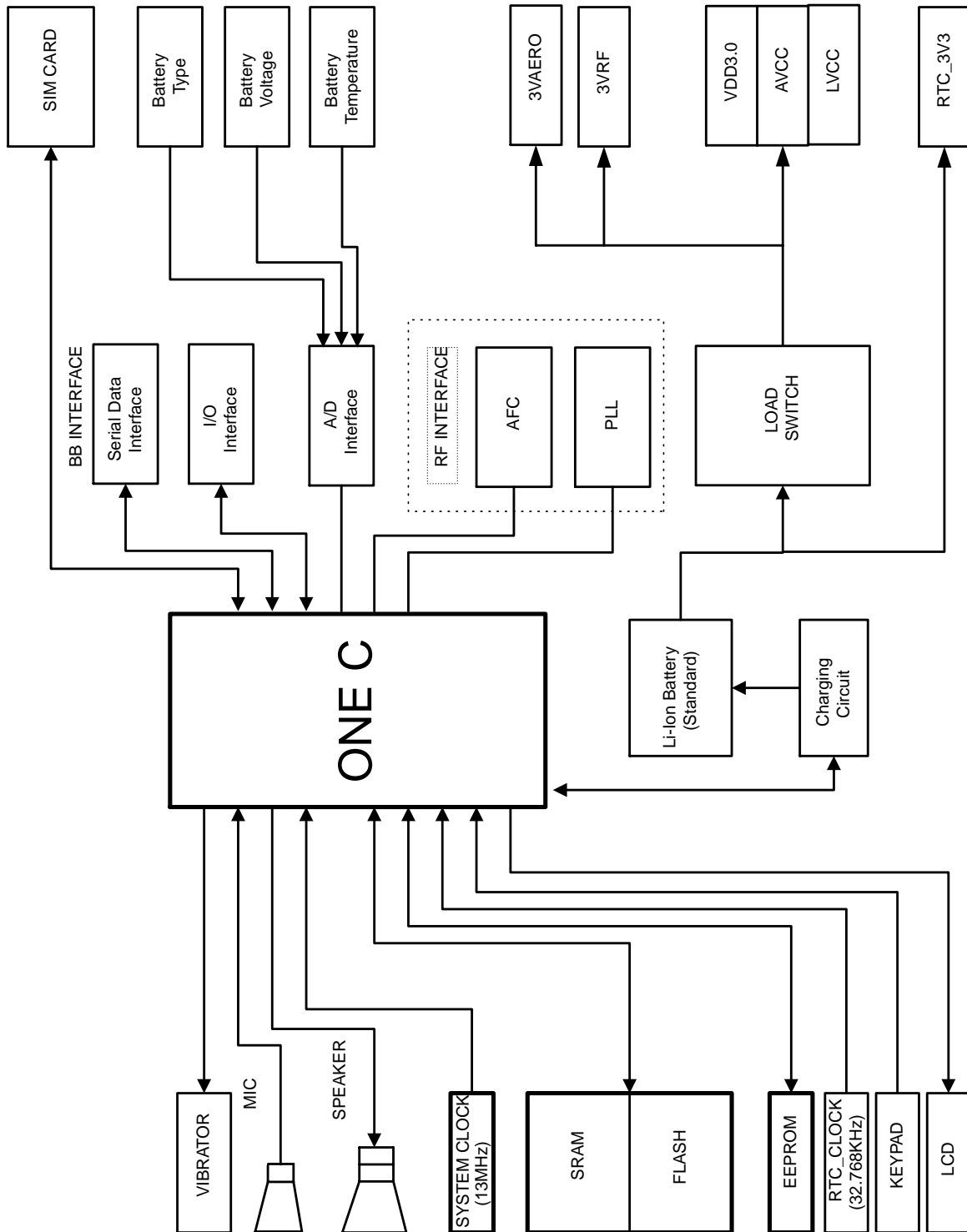
3-2 Main Parts List Bottom

NO	Reference	SEC CODE	Part	Description	Vendor Part No.
1	BUZ300	3002-001098	BUZZER-MAGNETIC	"94dB,3V,150mA,2700Hz,TP"	BRT-03S
2	C308	2203-005061	"C-CERAMIC,CHIP"	"100nF,+80-20%,16V,Y5V,TP,1005"	GRP155F51C104ZA01E
3	C404	2203-005444	"C-CERAMIC,CHIP"	"0.003nF,0.1pF,50V,NP0,TP,1005"	CM05CG3R0B50AH
4	C411	2203-005065	"C-CERAMIC,CHIP"	"1000nF,+80-20%,10V,Y5V,TP,1608"	CL10F105ZPNC
5	C422	2203-005065	"C-CERAMIC,CHIP"	"1000nF,+80-20%,10V,Y5V,TP,1608"	CL10F105ZPNC
6	C716	2203-001017	"C-CERAMIC,CHIP"	"0.004nF,0.25pF,50V,NP0,TP,1005"	GRP1555C1H4R0CZ01E
7	C723	2203-000854	"C-CERAMIC,CHIP"	"0.039nF,5%,50V,NP0,TP,1005"	CM05CG390J50AH
8	C724	2203-000854	"C-CERAMIC,CHIP"	"0.039nF,5%,50V,NP0,TP,1005"	CM05CG390J50AH
9	C759	2203-001017	"C-CERAMIC,CHIP"	"0.004nF,0.25pF,50V,NP0,TP,1005"	GRP1555C1H4R0CZ01E
10	C760	2203-001017	"C-CERAMIC,CHIP"	"0.004nF,0.25pF,50V,NP0,TP,1005"	GRP1555C1H4R0CZ01E
11	C778	2503-001043	C-NETWORK	"1UFX2,20%,10V,2012"	CAD12X5R105M10AT
12	D302	0407-001002	DIODE-ARRAY	"DAN222,80V,300mA,CA2-3,EM3,TP"	DAN222
13	D411	1405-001093	VARISTOR	"14V,20A,1x0.5x0.6mm,TP"	AVL 14K 02 200
14	D415	1405-001093	VARISTOR	"14V,20A,1x0.5x0.6mm,TP"	AVL 14K 02 200
15	D444	0601-001547	LED	"CHIP,BLUE,1.1X0.8MM,468NM"	SLS-NNBL102TS
16	D445	0601-001547	LED	"CHIP,BLUE,1.1X0.8MM,468NM"	SLS-NNBL102TS
17	D446	0601-001547	LED	"CHIP,BLUE,1.1X0.8MM,468NM"	SLS-NNBL102TS
18	D447	0601-001547	LED	"CHIP,BLUE,1.1X0.8MM,468NM"	SLS-NNBL102TS
19	D448	0601-001547	LED	"CHIP,BLUE,1.1X0.8MM,468NM"	SLS-NNBL102TS
20	D449	0601-001547	LED	"CHIP,BLUE,1.1X0.8MM,468NM"	SLS-NNBL102TS
21	D450	0601-001547	LED	"CHIP,BLUE,1.1X0.8MM,468NM"	SLS-NNBL102TS
22	D451	0601-001547	LED	"CHIP,BLUE,1.1X0.8MM,468NM"	SLS-NNBL102TS
23	LED1	0601-001402	LED	"CHIP,RED/Y-GRN,1.2x1.5mm,660/570nm"	CL-165HR/YG-D
24	LED2	0601-001540	LED	"CHIP,BLUE,1.1X0.8MM,485NM"	SLS-NNBD102TS
25	Q300	0501-002011	TR-SMALL SIGNAL	"2SD2114K,NPN,200mW,SOT-23,TP,8"	2SD2114KT146V
26	R304	2007-000162	R-CHIP	"100Kohm,5%,1/16W,DA,TP,1005"	RC1005J104CS
27	R305	2007-000143	R-CHIP	"4.7Kohm,5%,1/16W,DA,TP,1005"	RC1005J472CS
28	R422	2007-000162	R-CHIP	"100Kohm,5%,1/16W,DA,TP,1005"	RC1005J104CS
29	R423	2007-000162	R-CHIP	"100Kohm,5%,1/16W,DA,TP,1005"	RC1005J104CS
30	R424	2007-000148	R-CHIP	"10Kohm,5%,1/16W,DA,TP,1005"	ERJ2GEJ103X
31	R427	2007-000148	R-CHIP	"10Kohm,5%,1/16W,DA,TP,1005"	ERJ2GEJ103X
32	R782	2007-000172	R-CHIP	"10ohm,5%,1/16W,DA,TP,1005"	RC1005J100CS
33	R783	2007-000172	R-CHIP	"10ohm,5%,1/16W,DA,TP,1005"	RC1005J100CS
34	R784	2007-000172	R-CHIP	"10ohm,5%,1/16W,DA,TP,1005"	RC1005J100CS
35	R785	2007-000172	R-CHIP	"10ohm,5%,1/16W,DA,TP,1005"	RC1005J100CS
36	R786	2007-000139	R-CHIP	"220ohm,5%,1/16W,DA,TP,1005"	ERJ2GEJ221X
37	R787	2007-000139	R-CHIP	"220ohm,5%,1/16W,DA,TP,1005"	ERJ2GEJ221X
38	R788	2007-000932	R-CHIP	"470ohm,5%,1/16W,DA,TP,1005"	ERJ2GEJ471X
39	R789	2007-000139	R-CHIP	"220ohm,5%,1/16W,DA,TP,1005"	ERJ2GEJ221X
40	R790	2007-000932	R-CHIP	"470ohm,5%,1/16W,DA,TP,1005"	ERJ2GEJ471X
41	R791	2007-000139	R-CHIP	"220ohm,5%,1/16W,DA,TP,1005"	ERJ2GEJ221X

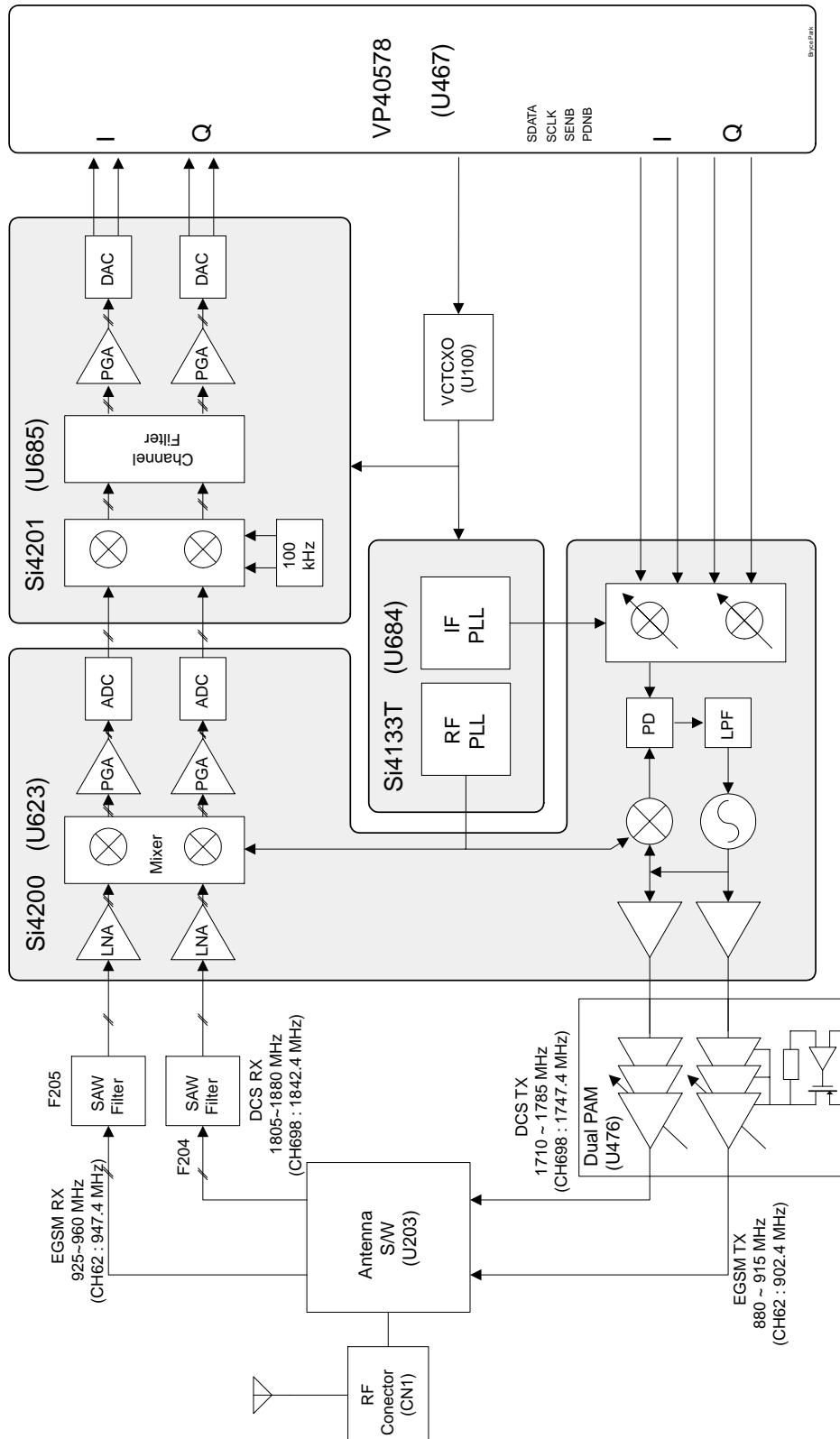
NO	Refer ence	SEC CODE	Part	Description	Vendor Part No.
42	R792	2007-000932	R-CHIP	"470ohm,5%,1/16W,DA,TP,1005"	ERJ2GEJ471X
43	R793	2007-000139	R-CHIP	"220ohm,5%,1/16W,DA,TP,1005"	ERJ2GEJ221X
44	U692	2503-001043	C-NETWORK	"1UFX2,20%,10V,2012"	CAD12X5R105M10AT
45	U693	2503-001042	C-NETWORK	"100NFX4,20%,10V,-"	W2A4ZD104MAT2A
46	ZD3	0406-001083	DIODE-TVS	"-,6.1/-/7.2V,150W,SOT-323-5L"	ESDA6V1W5

4. Block Diagrams

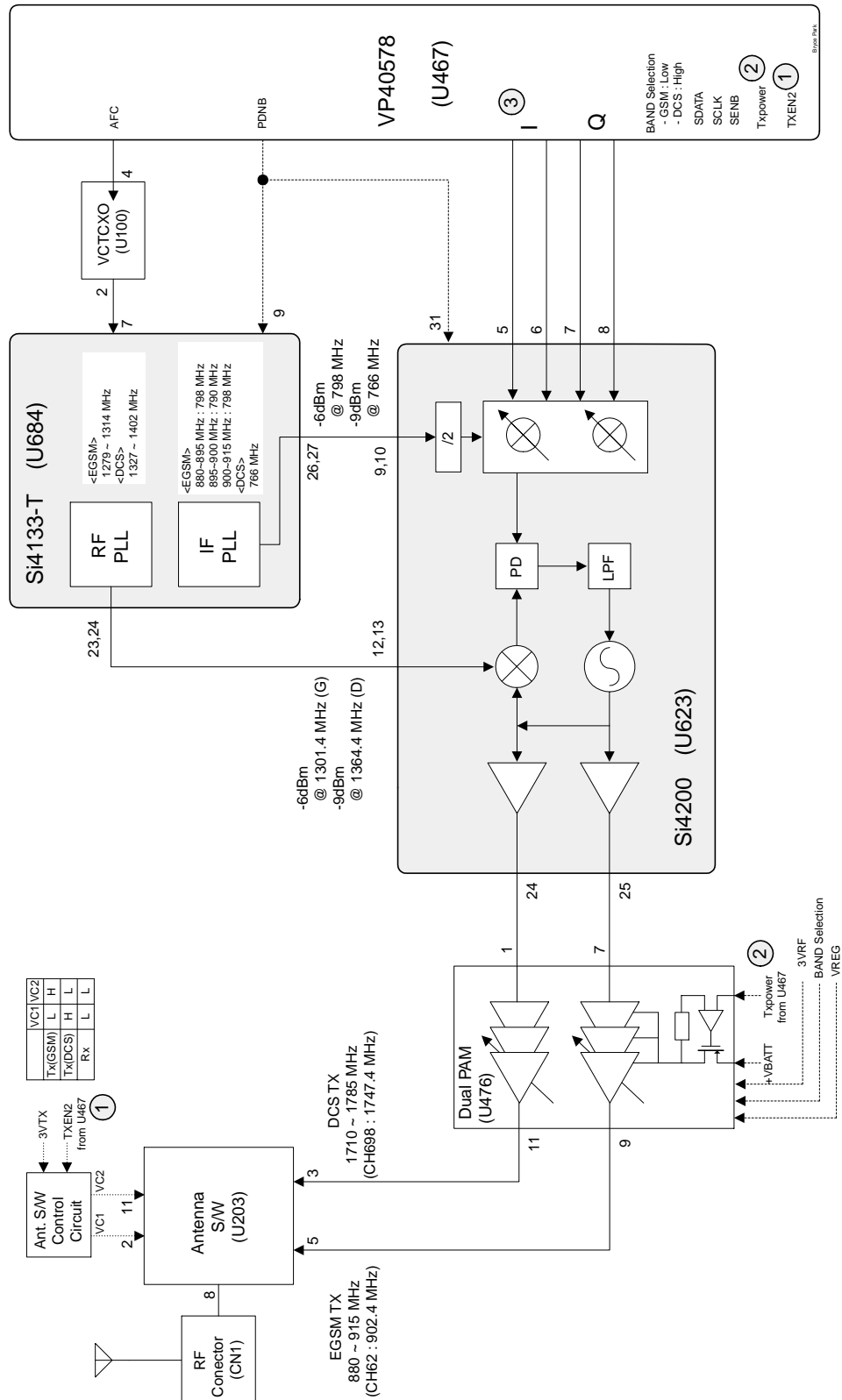
4-1 Main Baseband



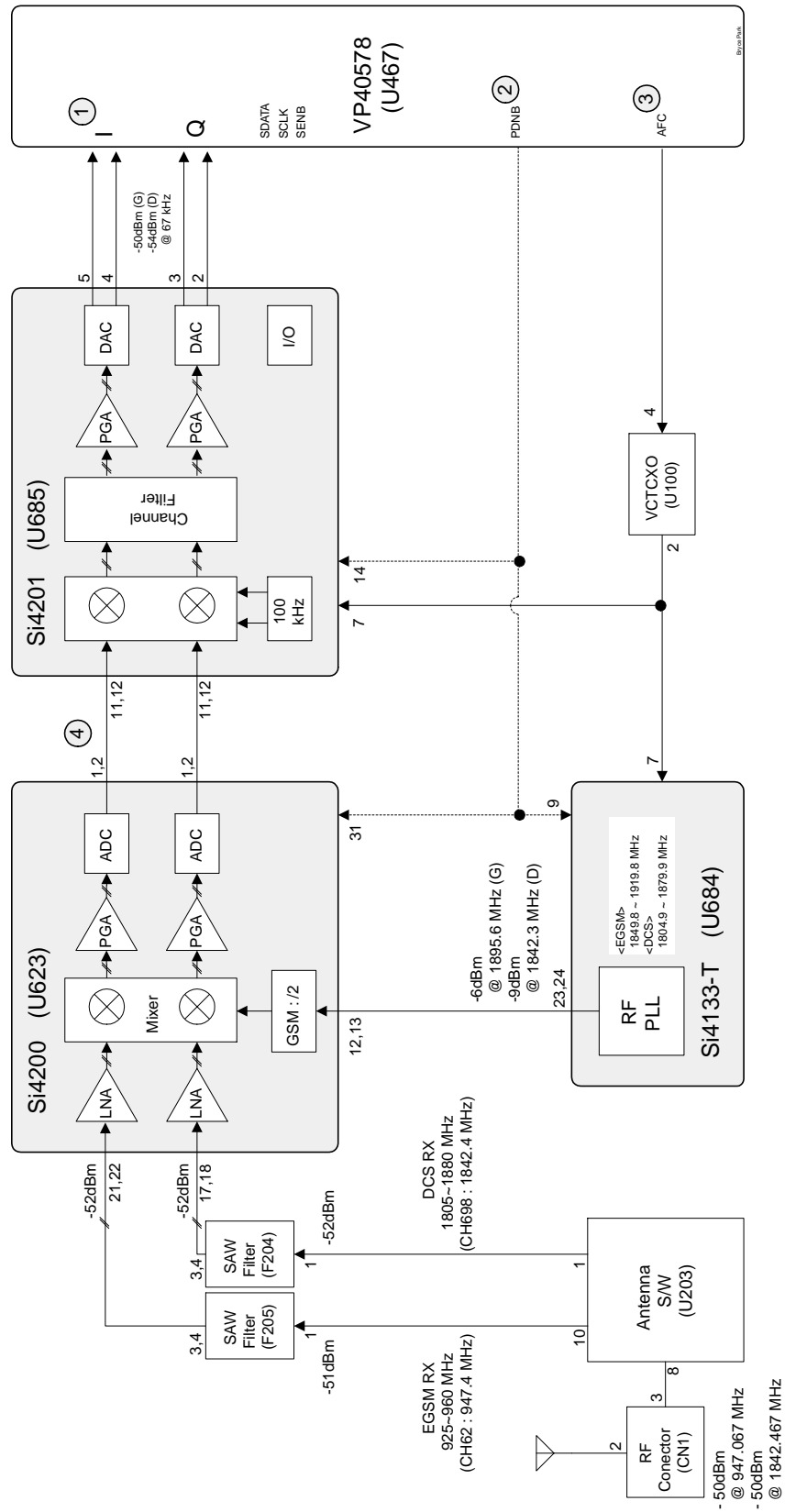
4-2 Main RF



4-2-1 RF Transmit Part

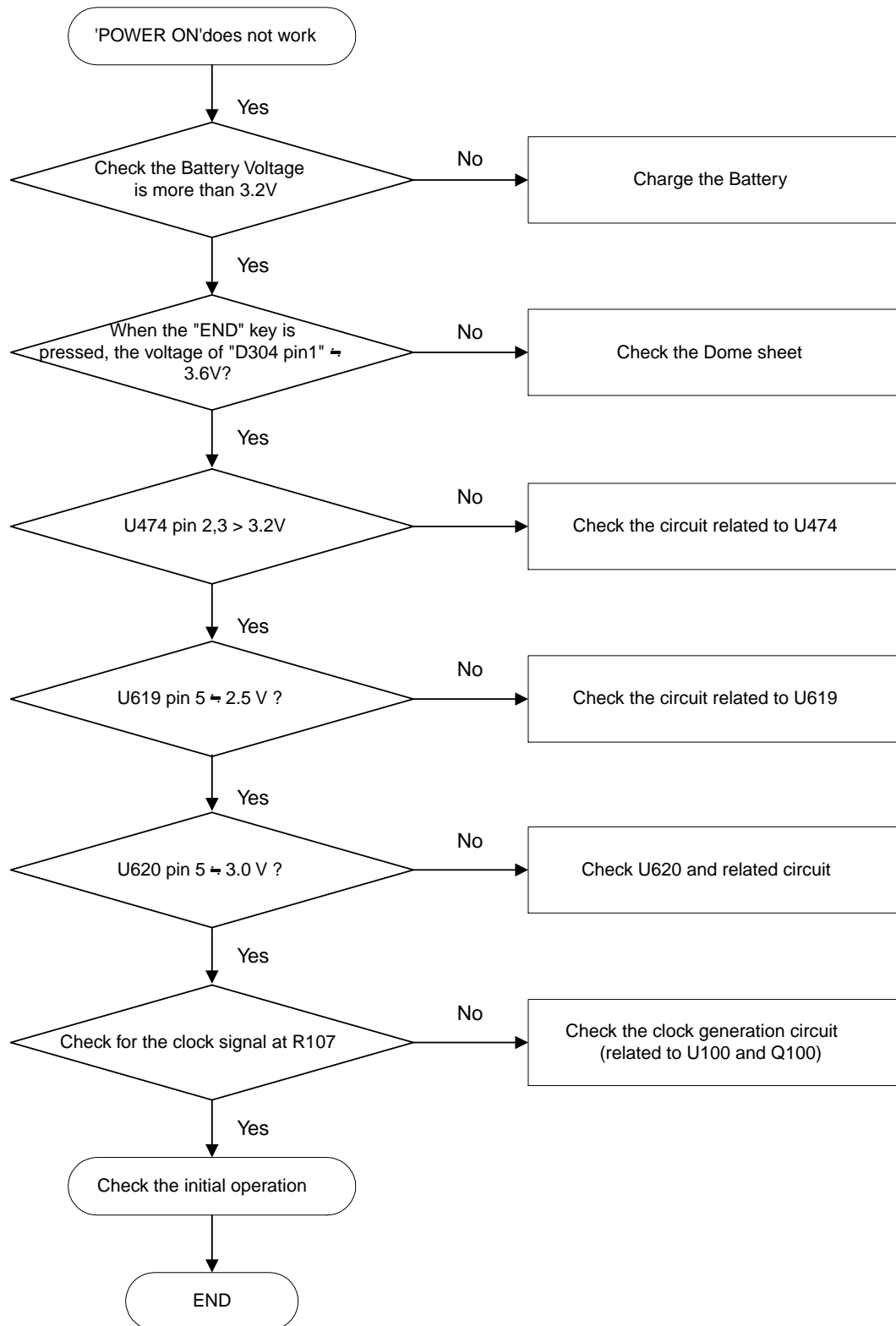


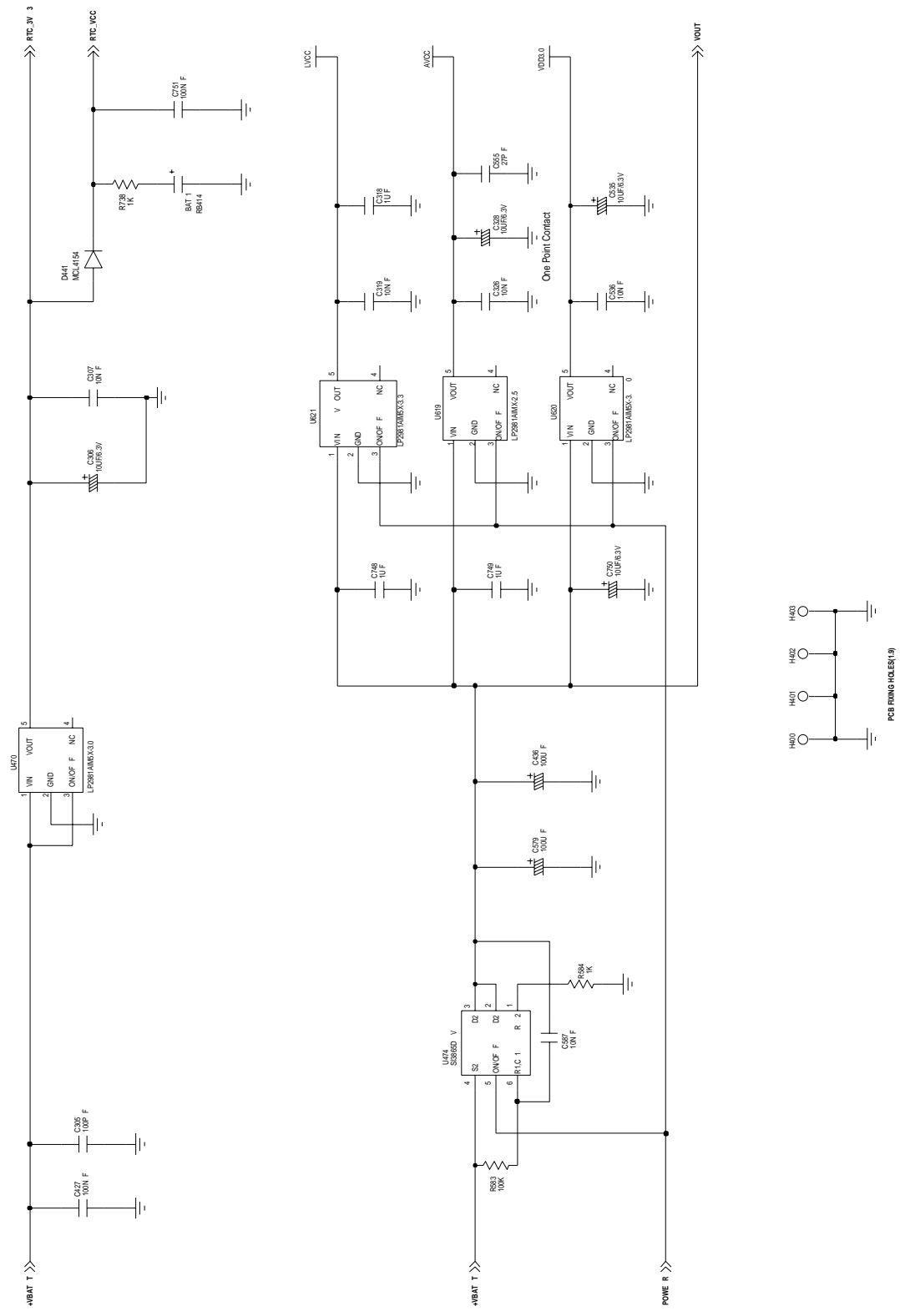
4-2-2 RF Receive Part



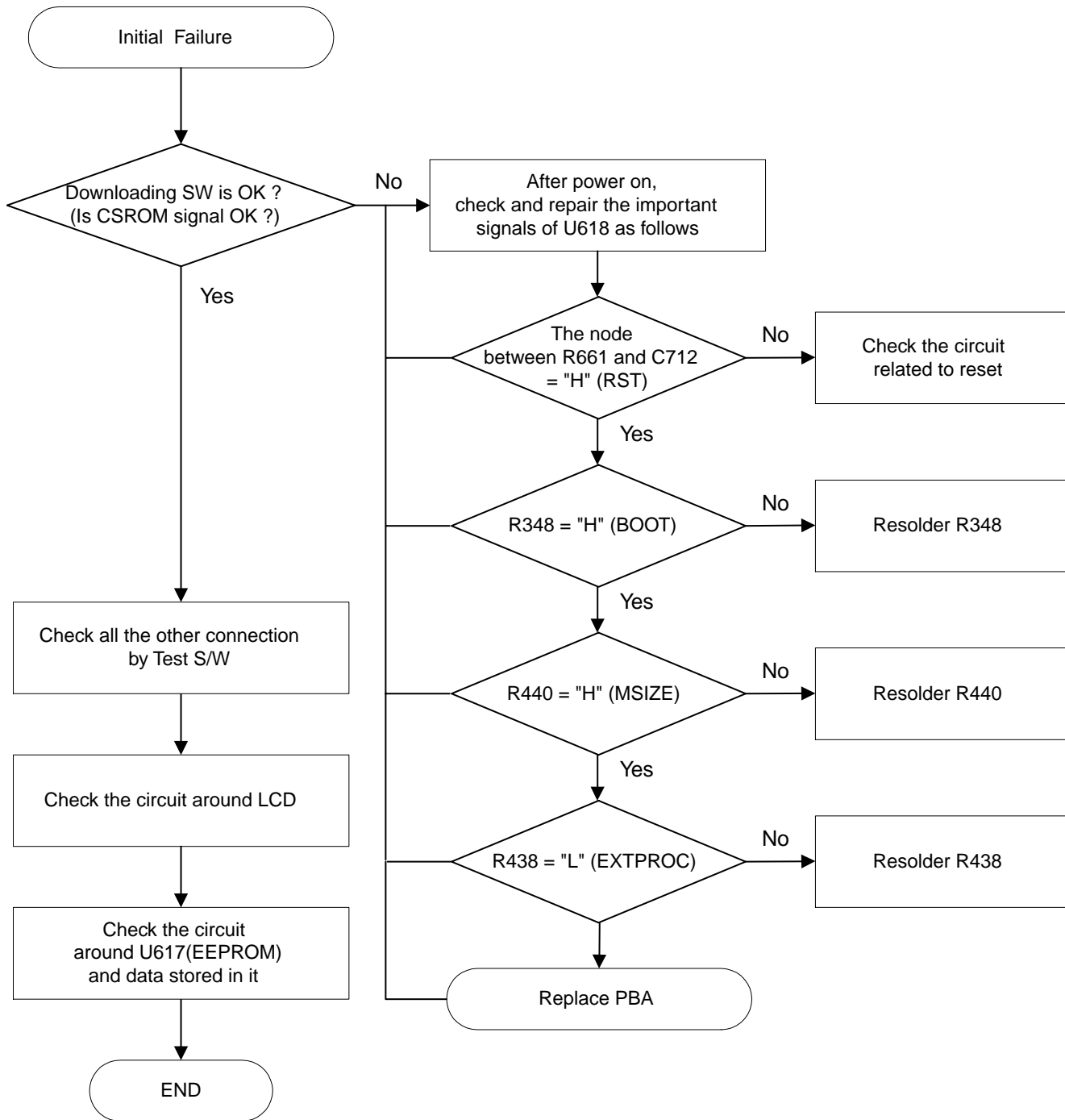
5. Flow Chart of Troubleshooting and Circuit Diagrams

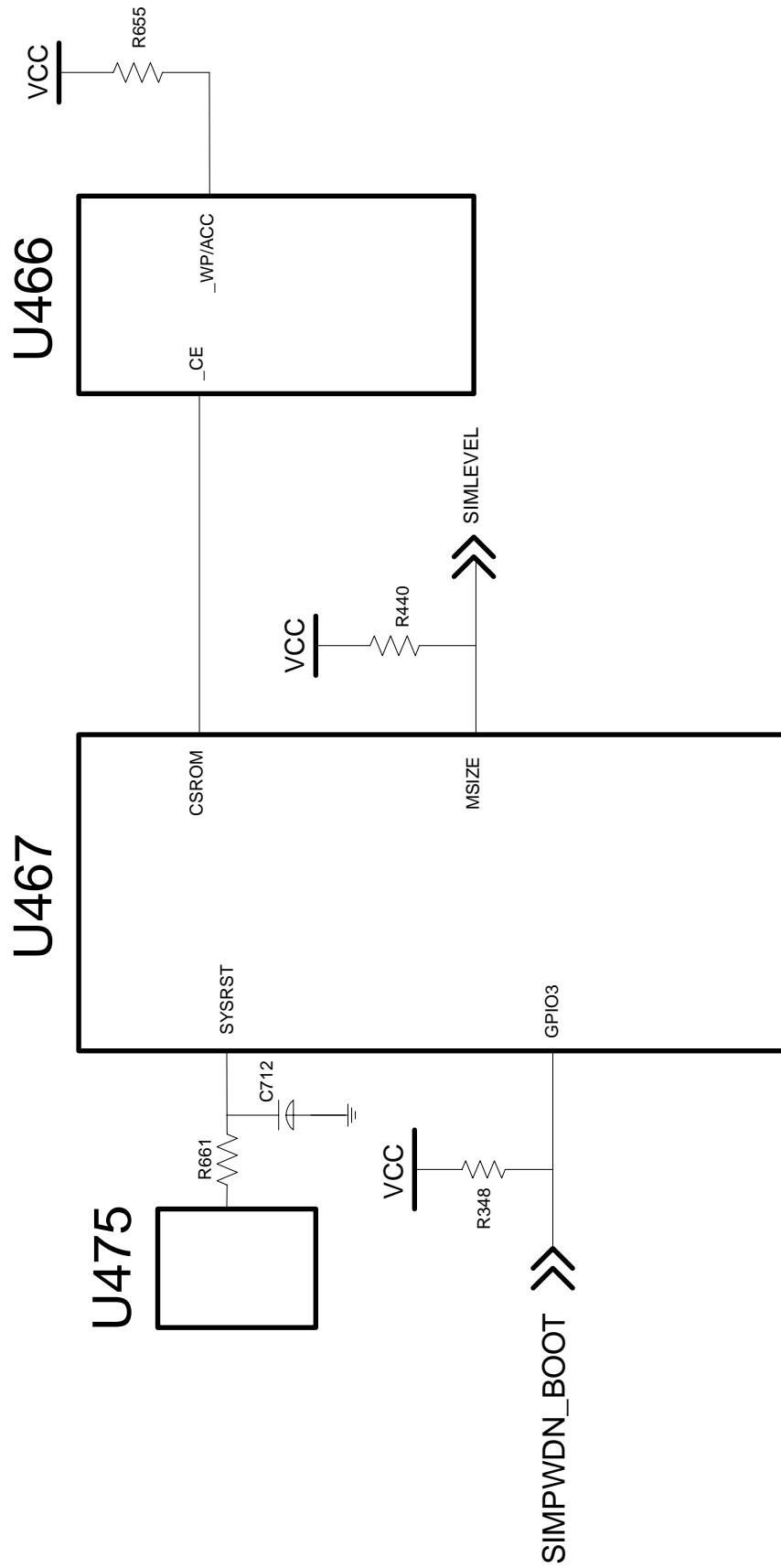
5-1 Power ON



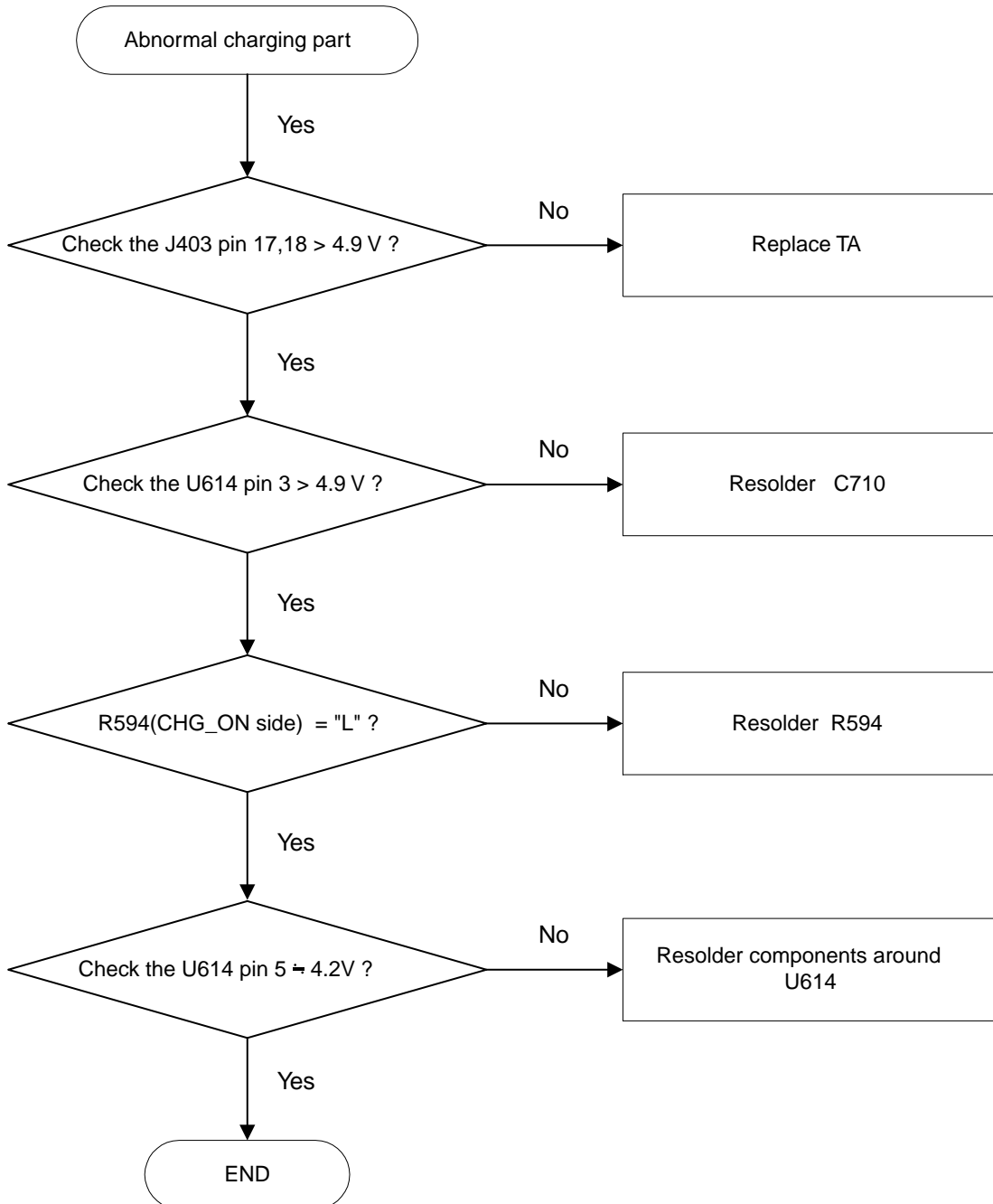


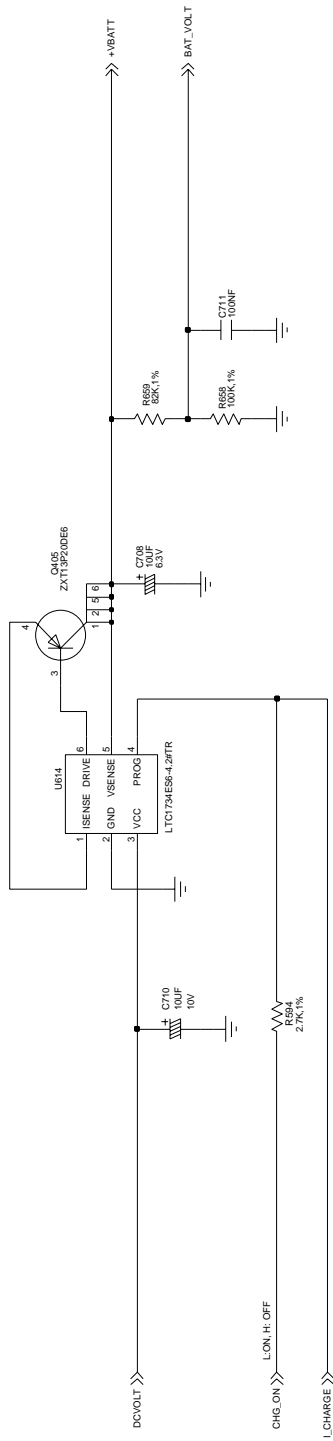
5-2 Initial



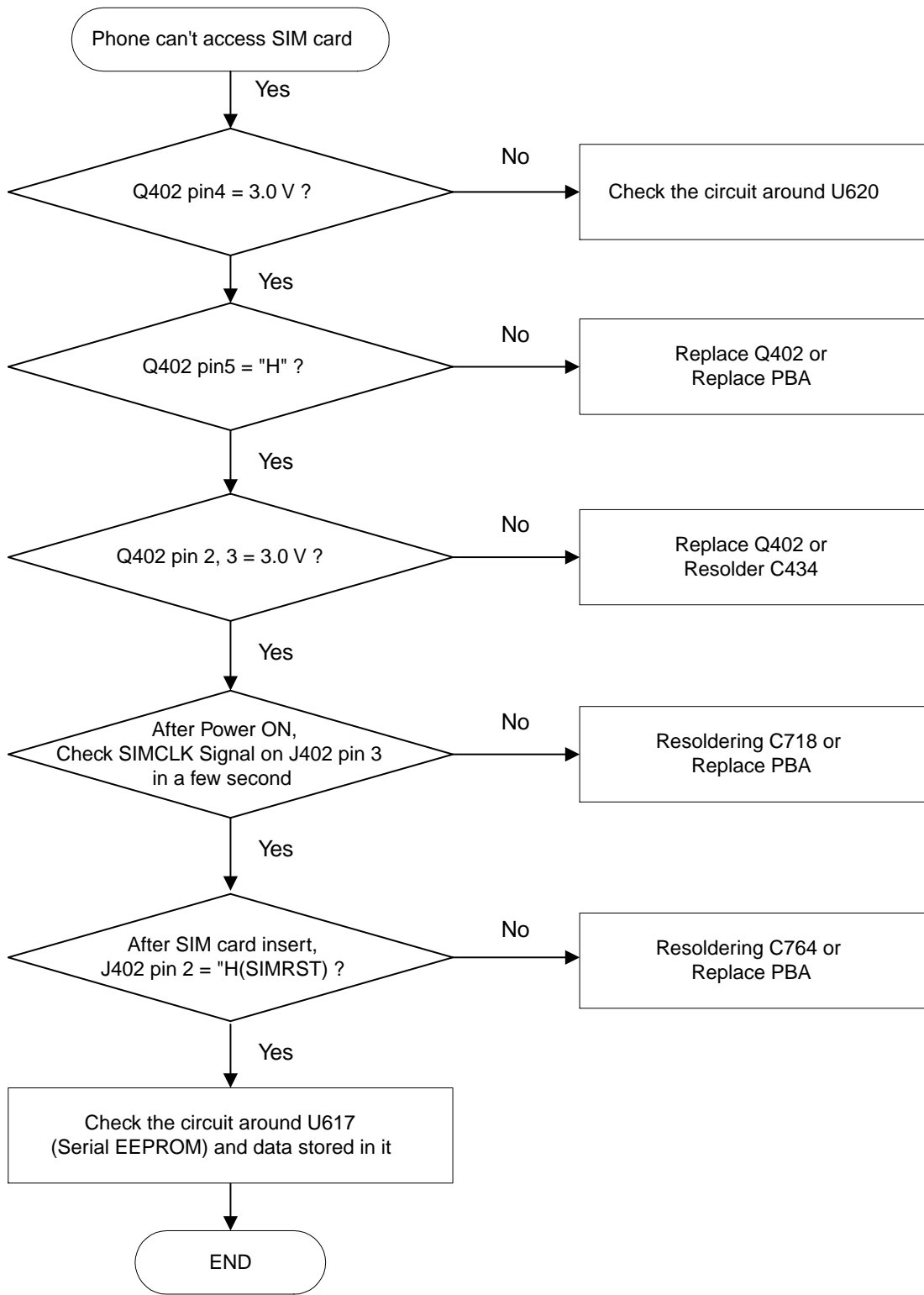


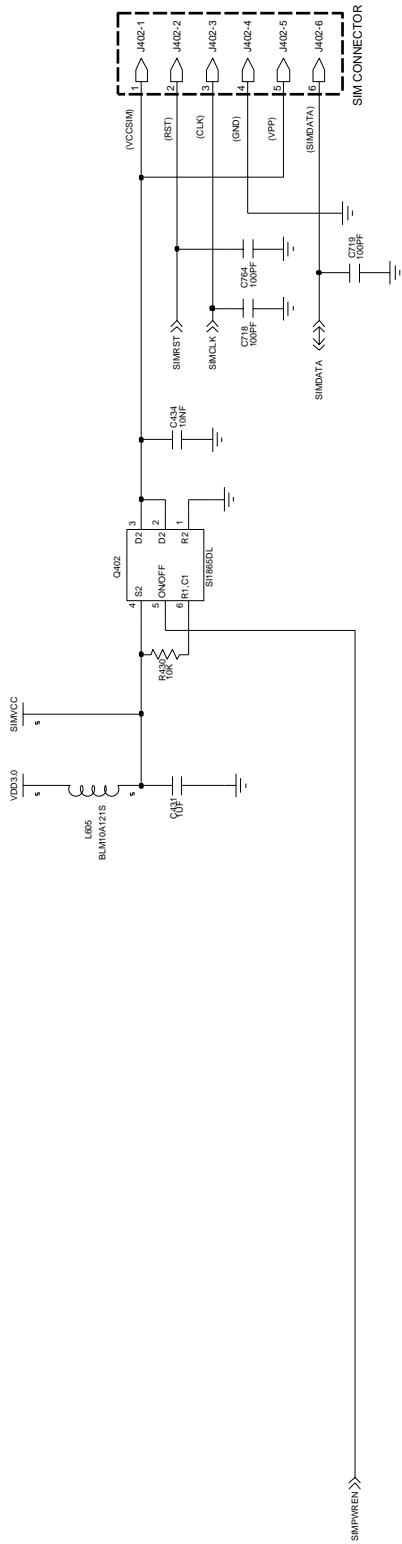
5-3 Charging Part



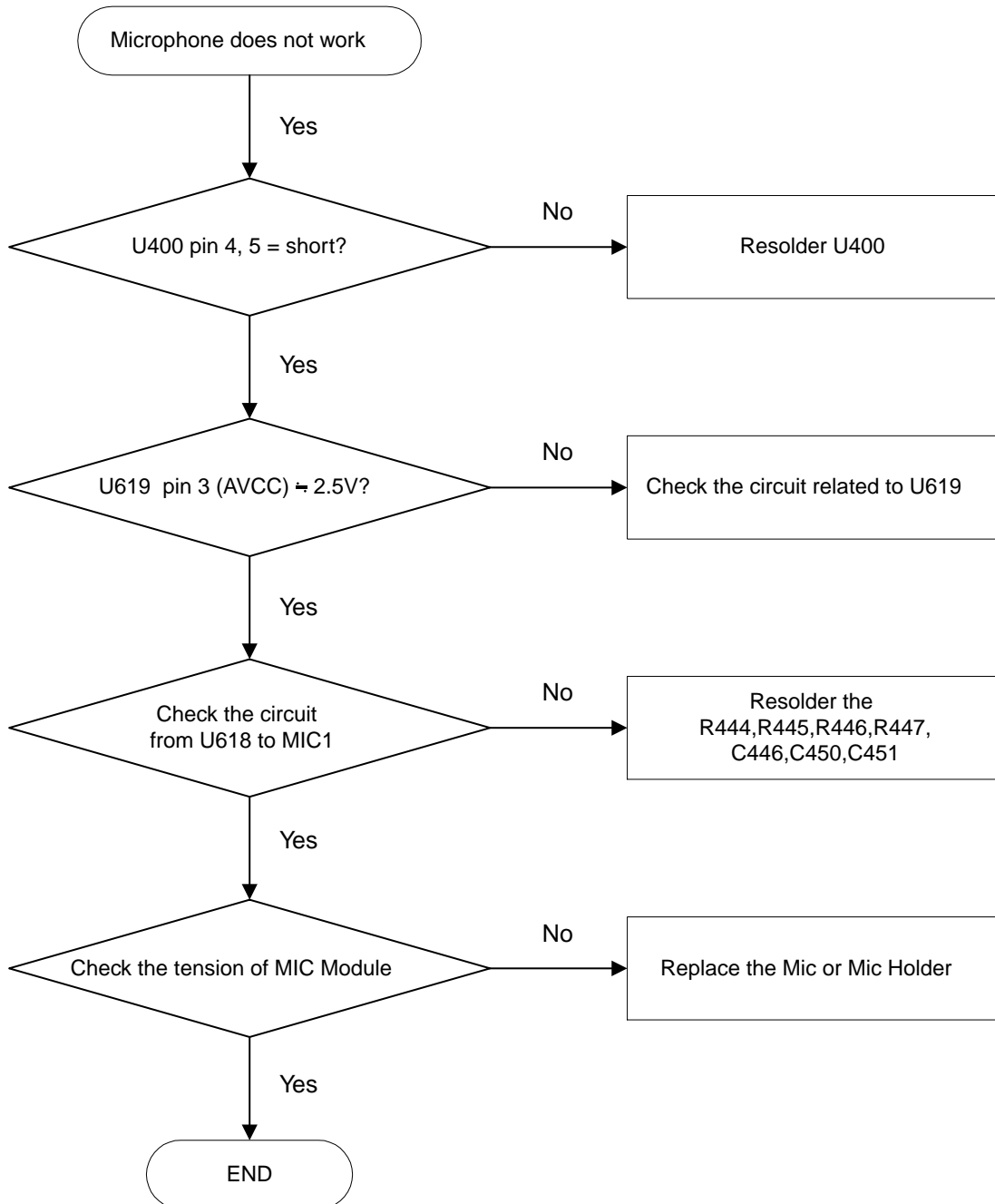


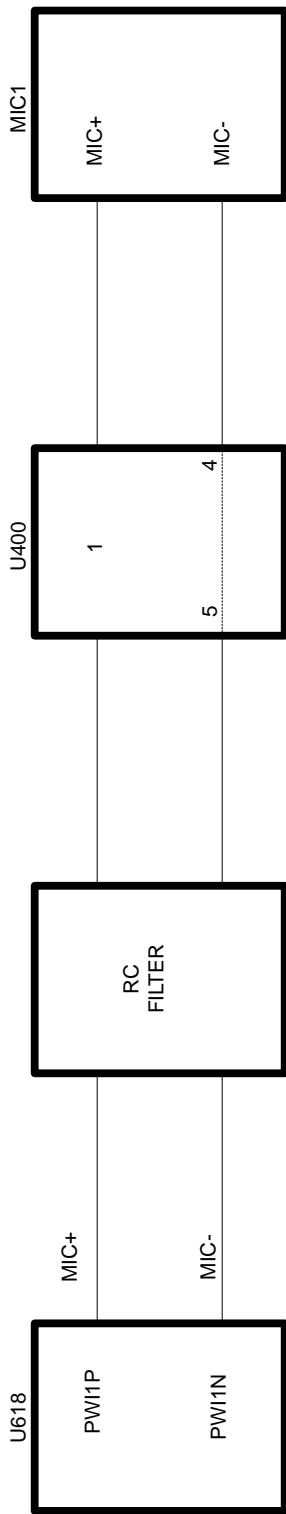
5-4 Sim Part



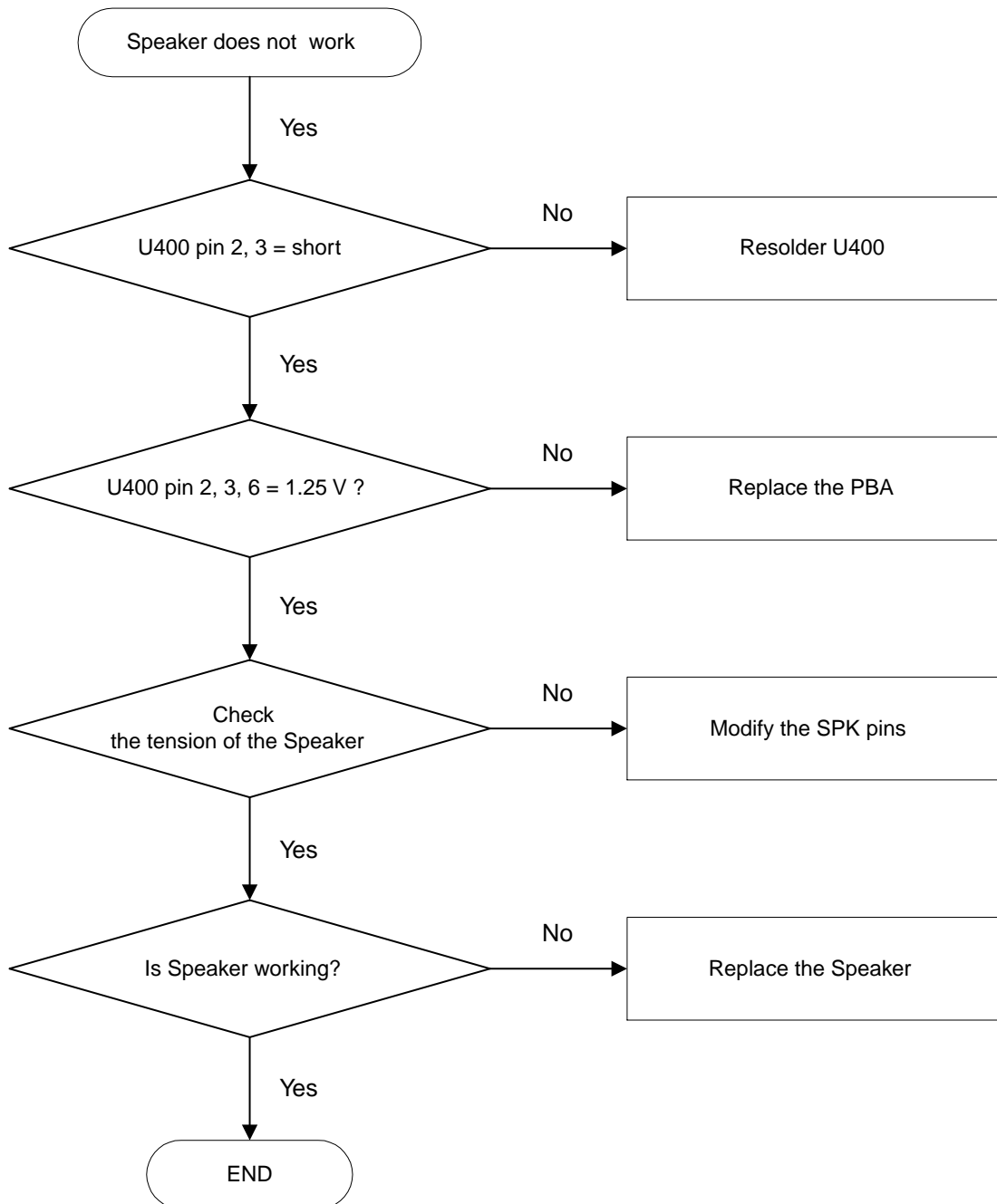


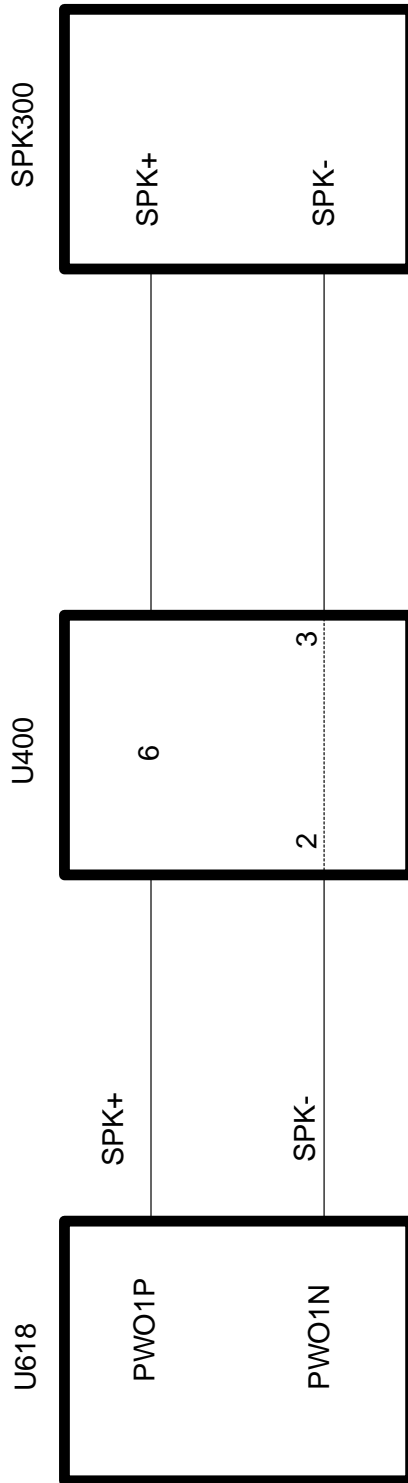
5-5 Microphone Part



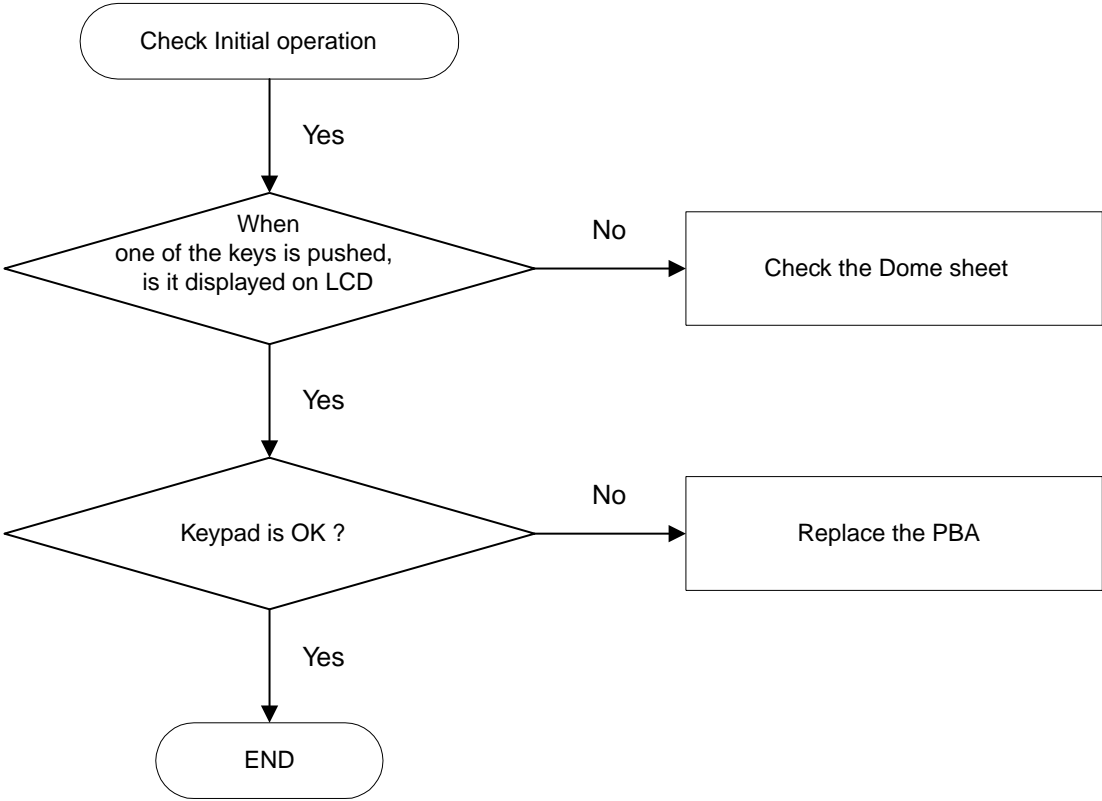


5-6 Speaker Part

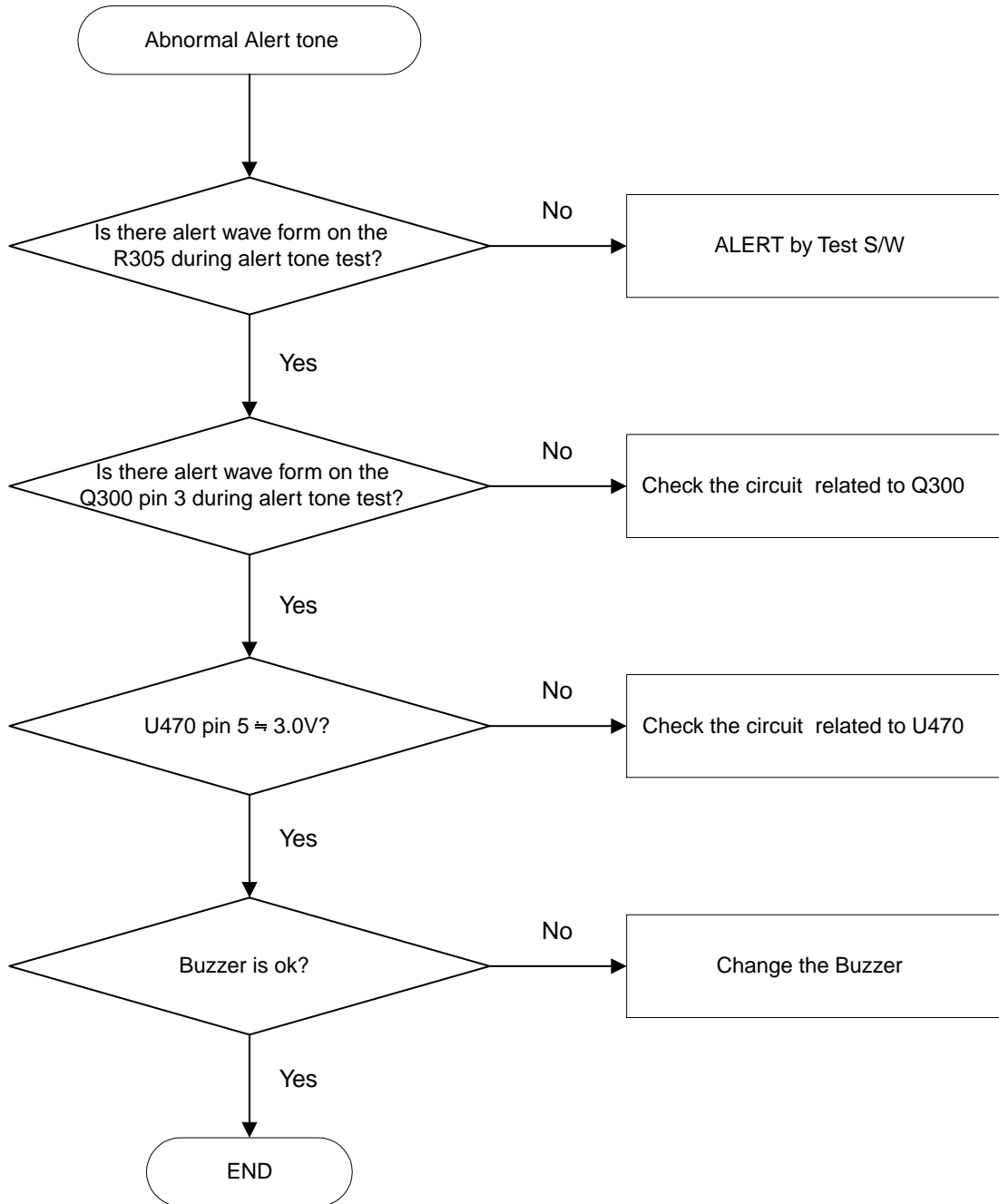


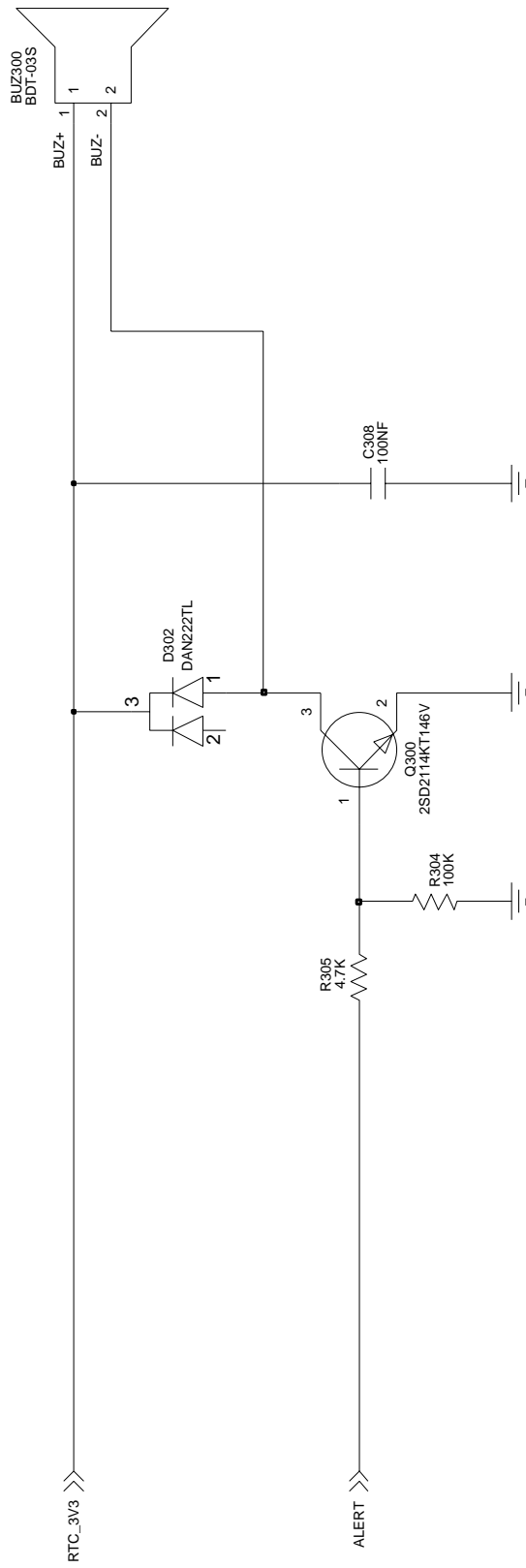


5-7 Key Data Input

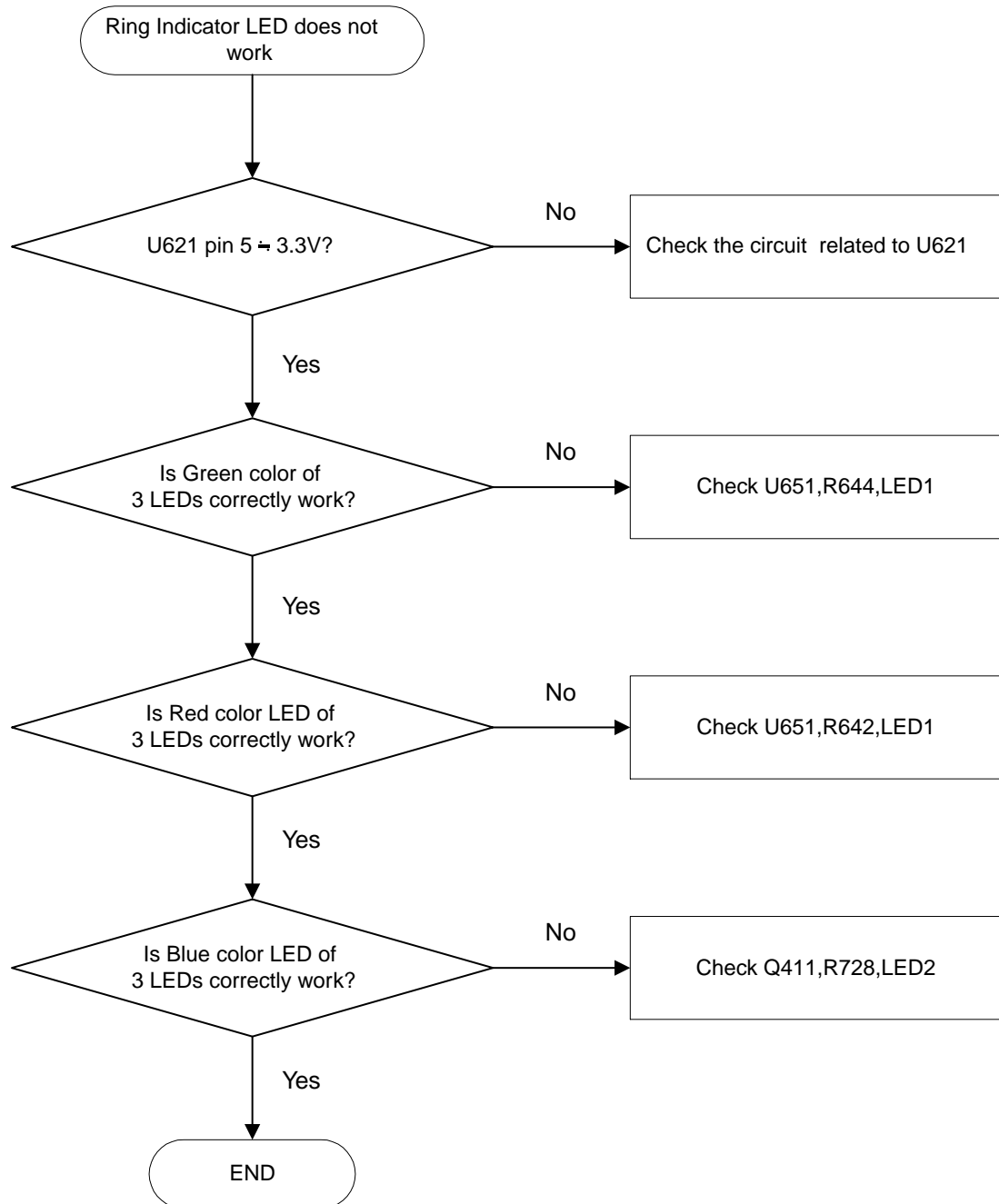


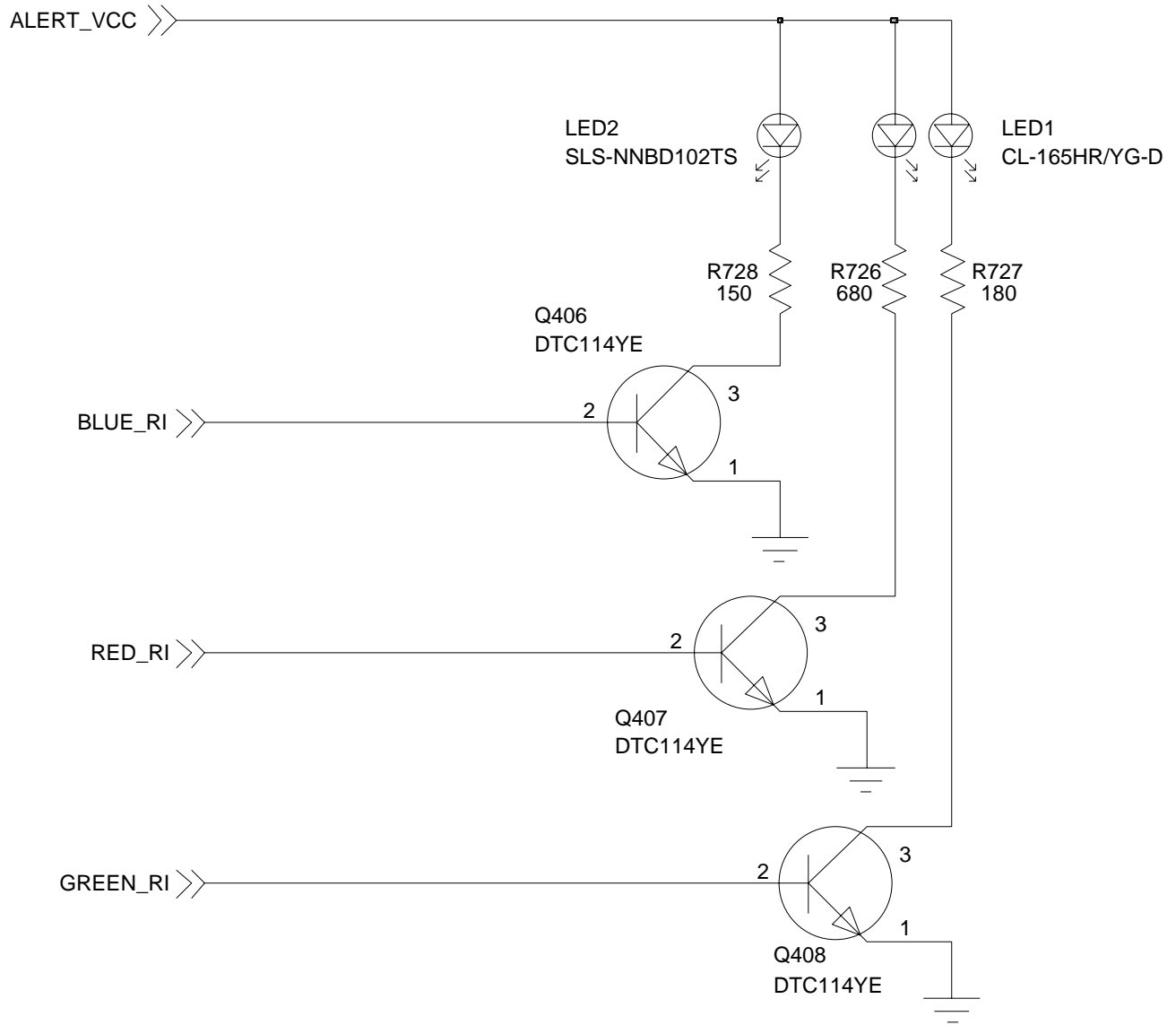
5-8 Alert Tone



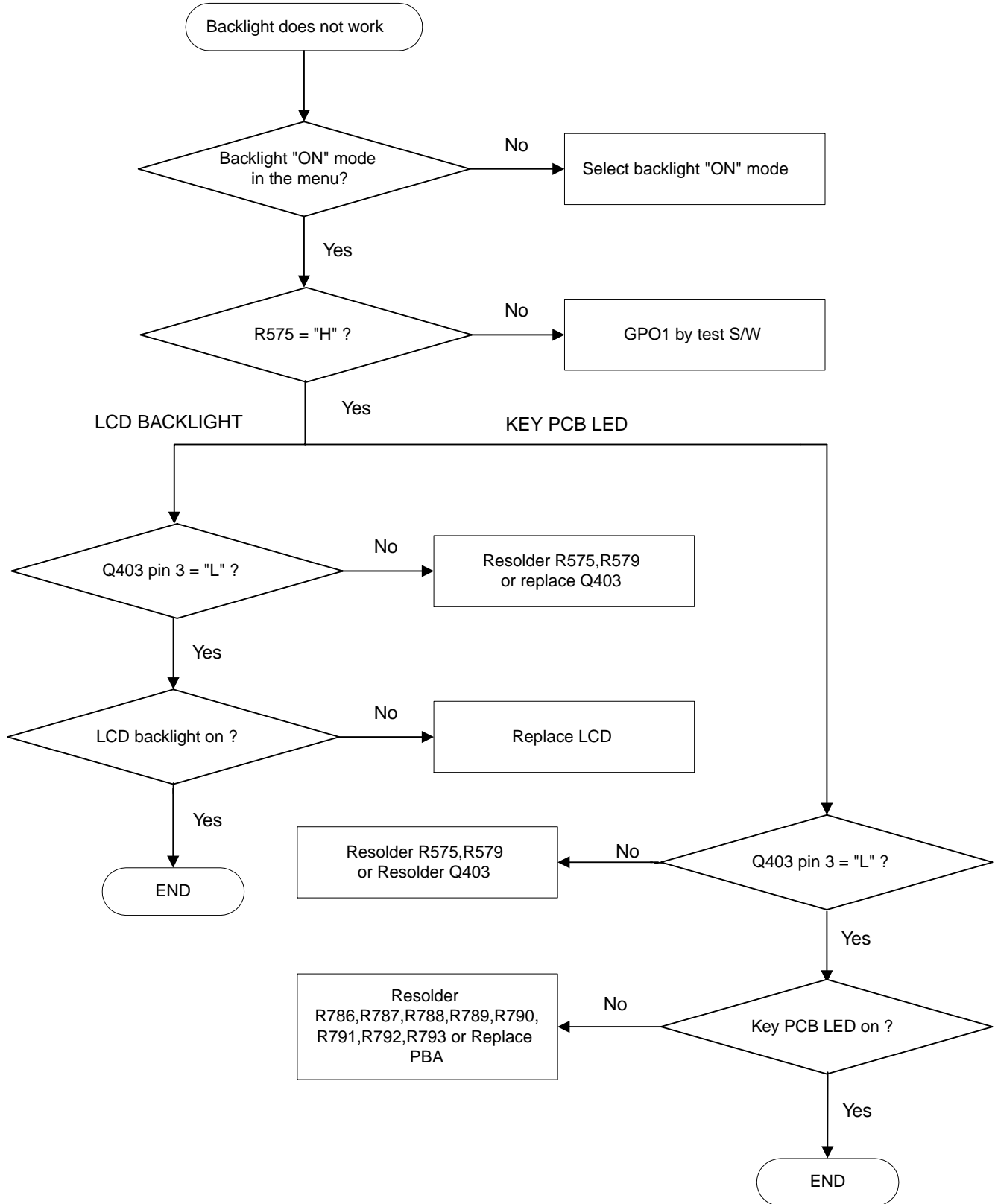


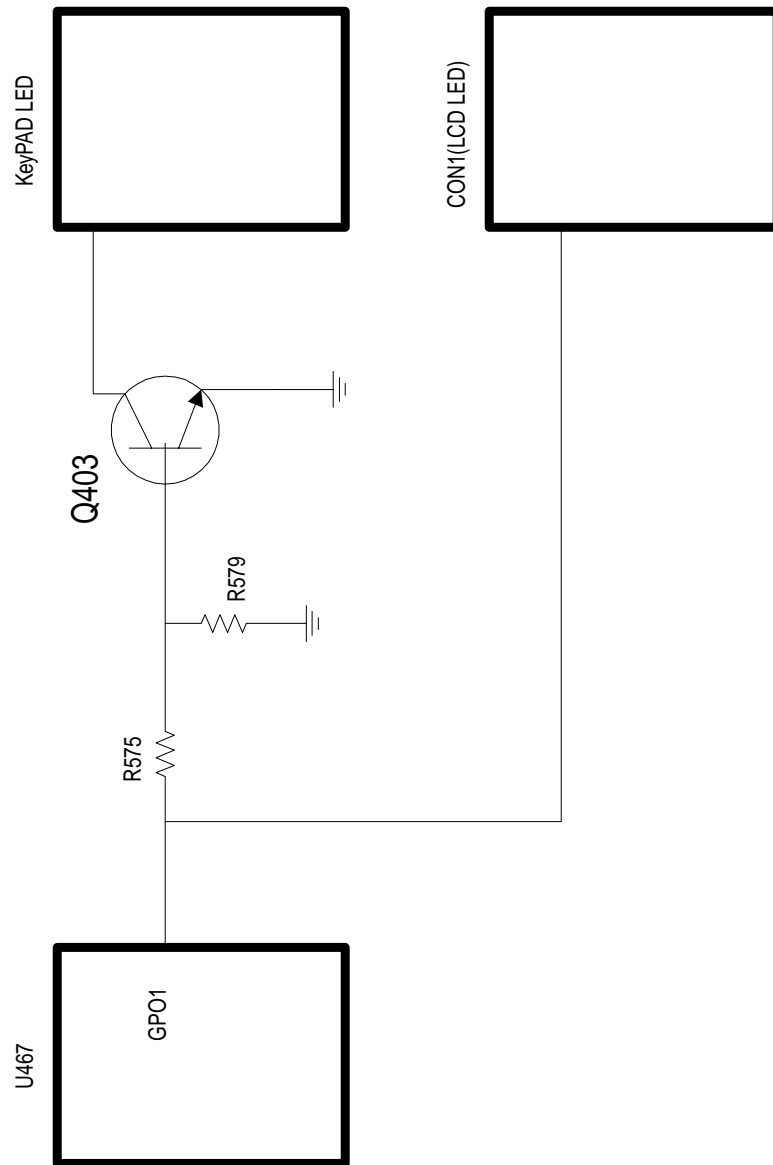
5-9 Ring Indicator



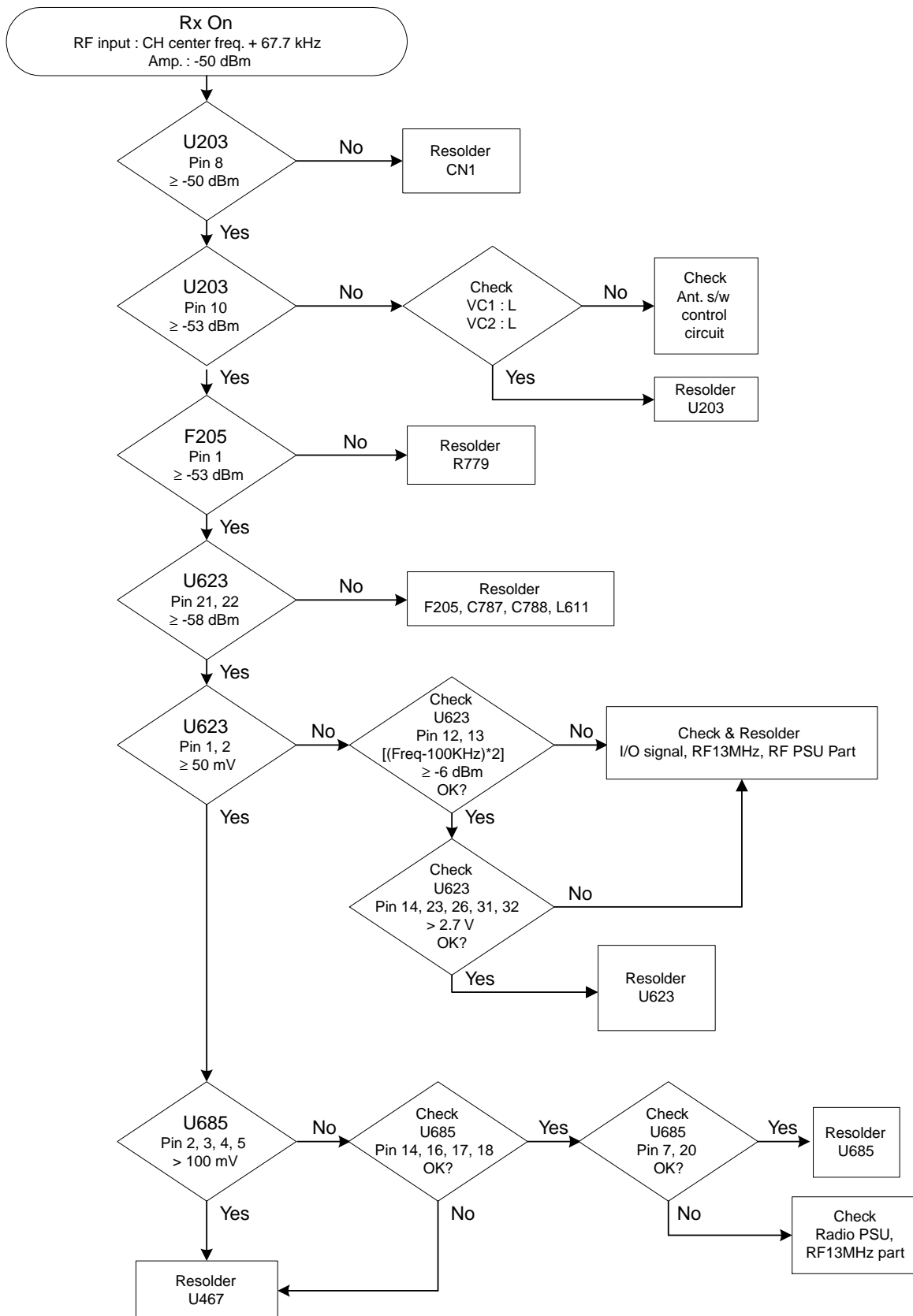


5-10 Back Light

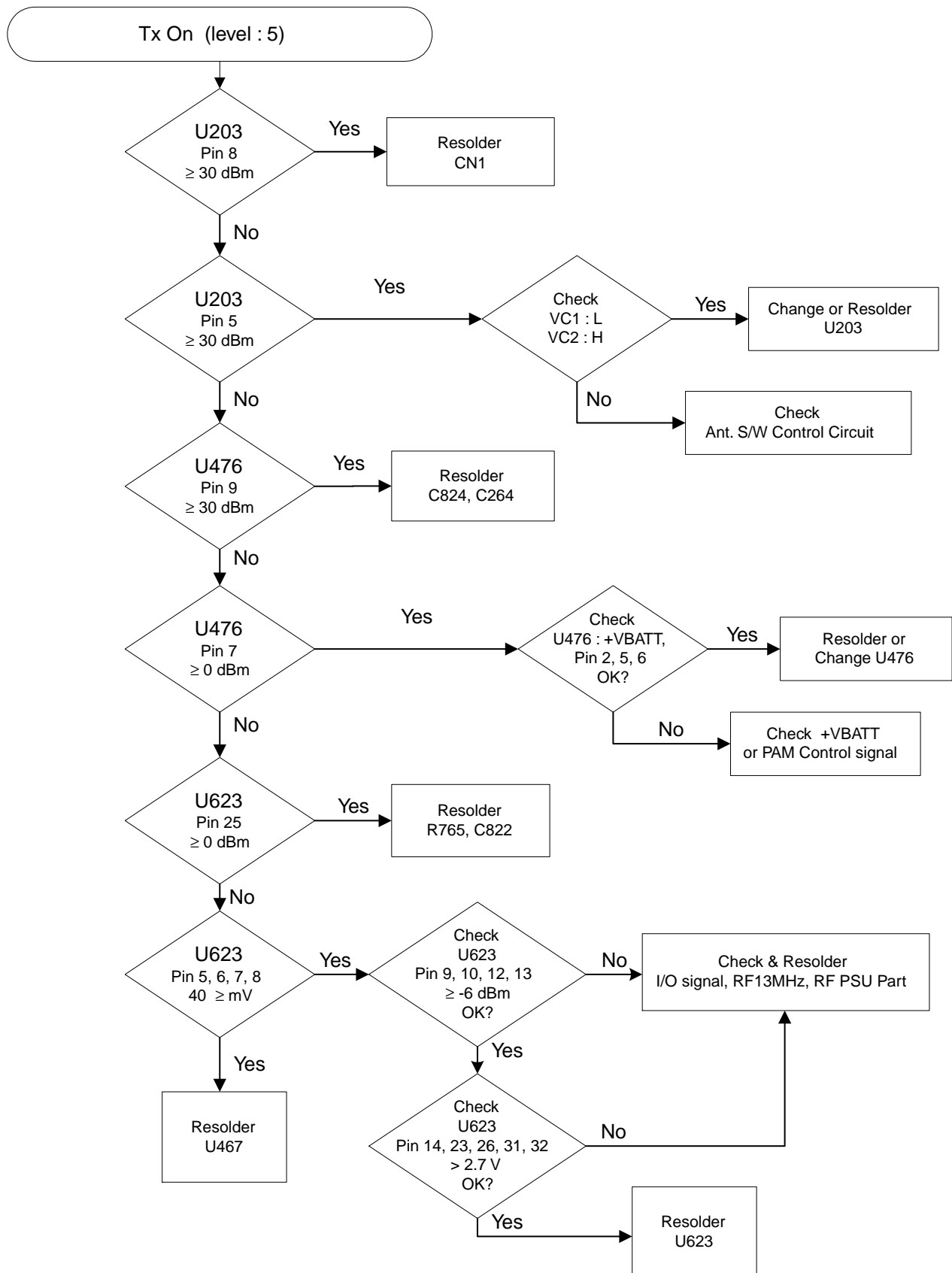




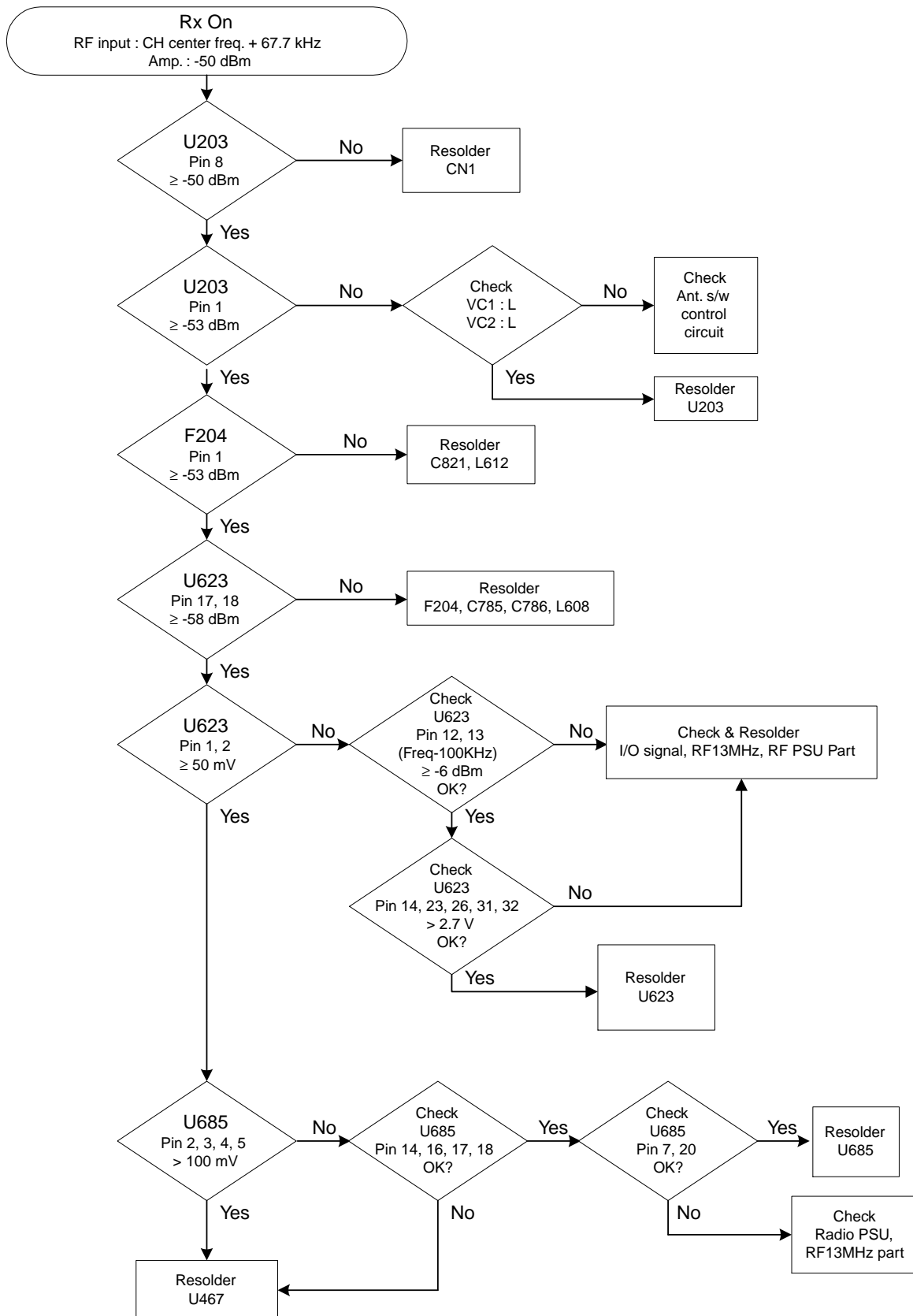
5-11 GSM Receiver



5-12 GSM Transmitter



5-13 DCS Receiver



5-14 DCS Transmitter

