

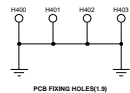
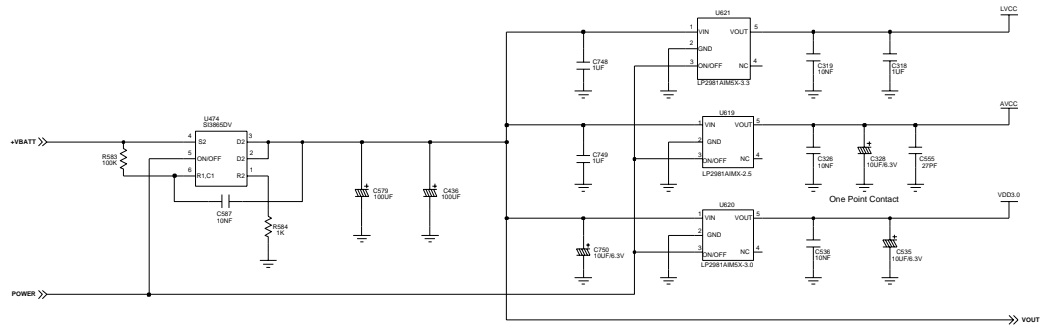
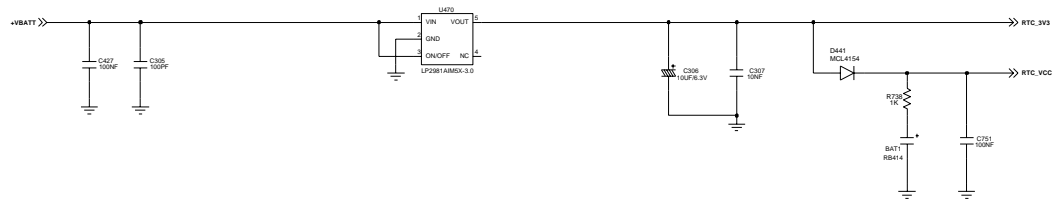
H403

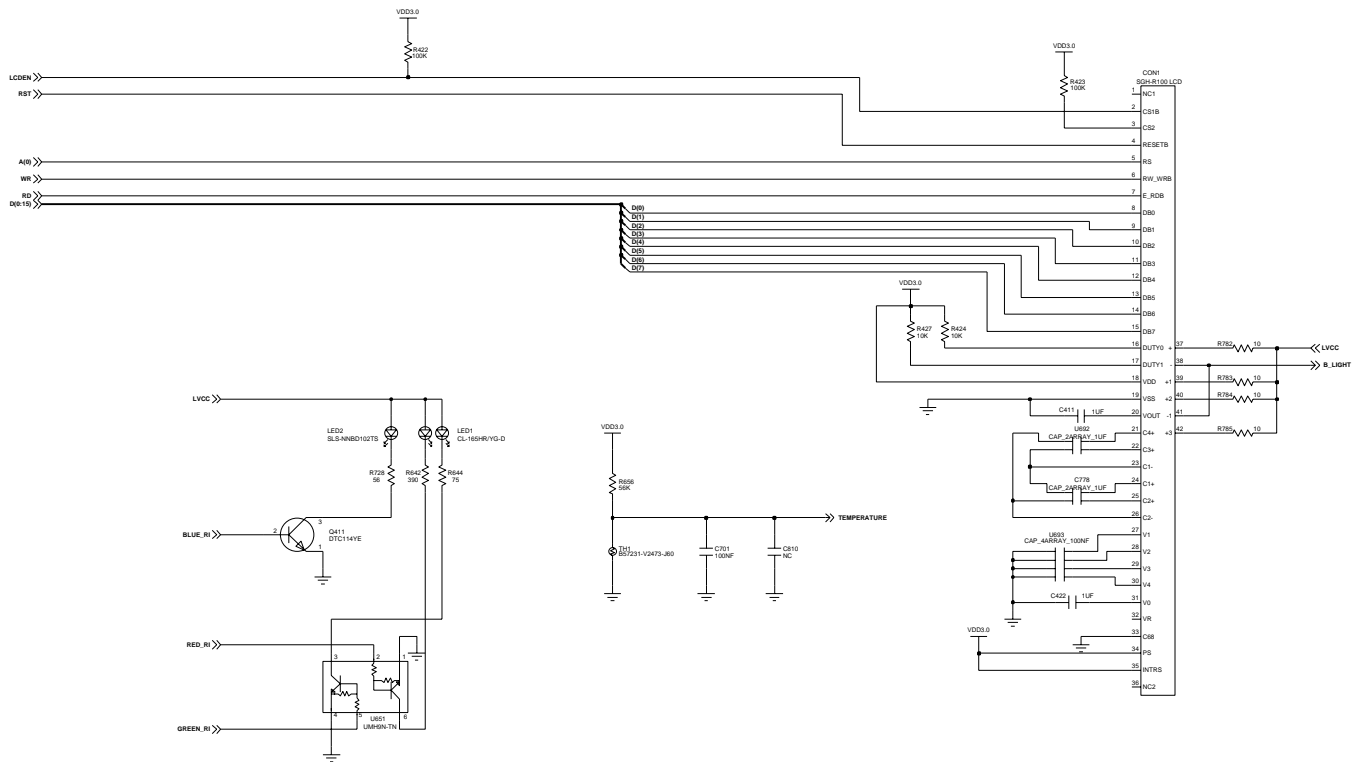
H401

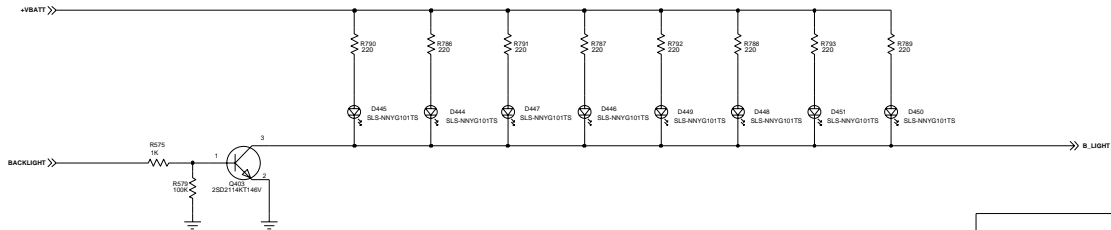
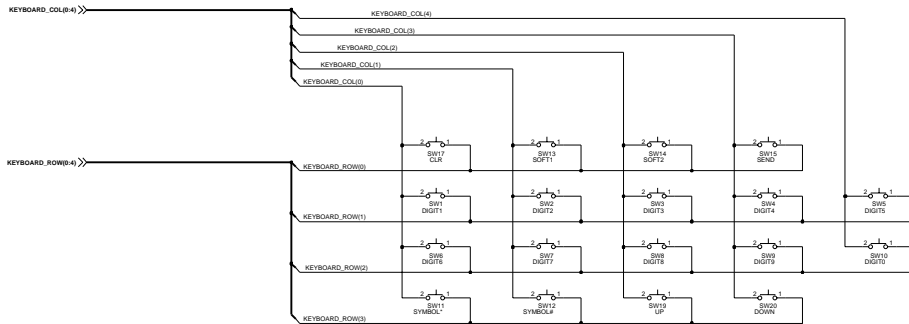
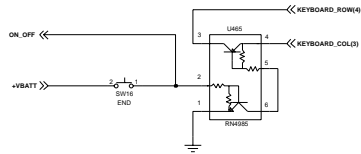
H400

H402

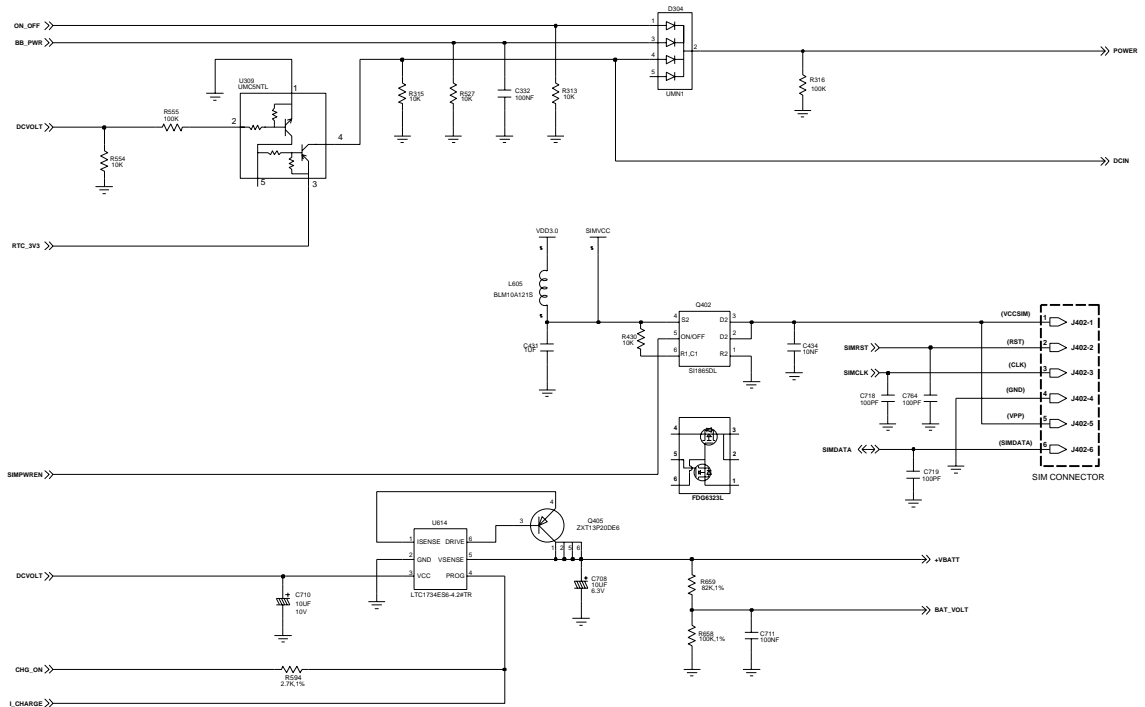
J403

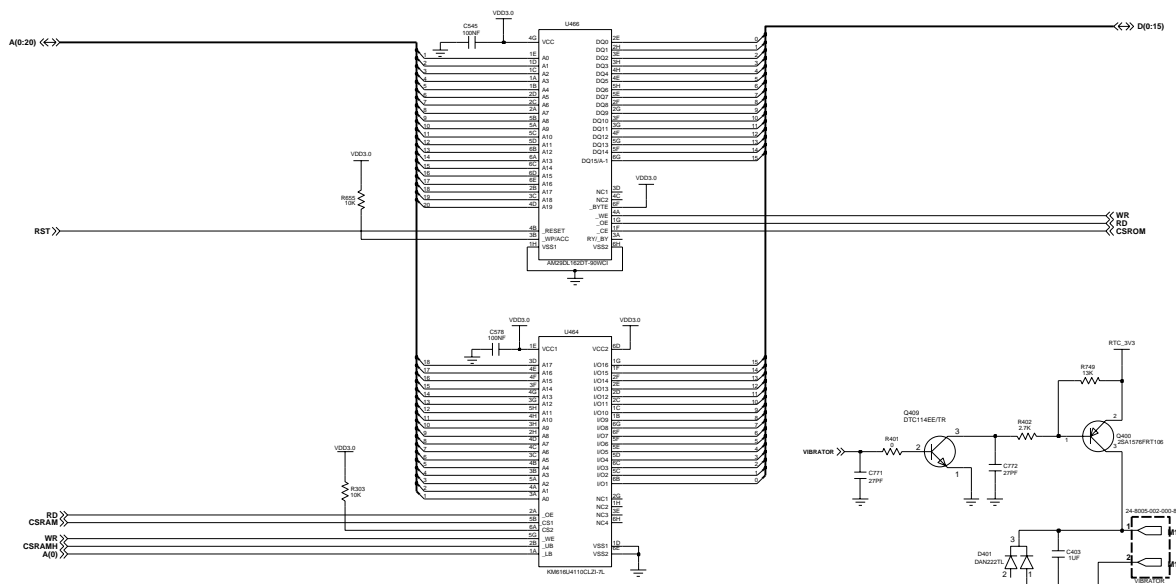


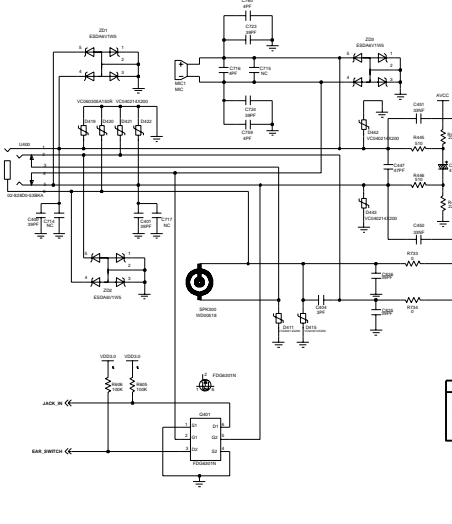
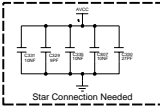
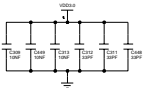




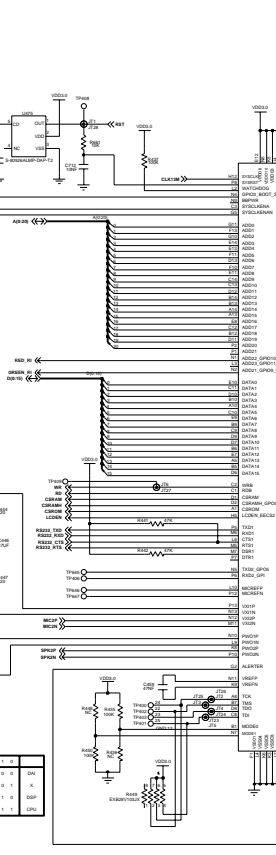
Title		
<b>KEY &amp; Backlight LED Schematic</b>		
Size	Document Number	Rev
A3	SAMSUNG/R2105/B.B.LCD	Rev 2.3
Date:	Wednesday, Apr. 3, 2002	Sheet 3 of 11







0	0	0
1	1	1
2	2	2
3	3	3
4	4	4
5	5	5
6	6	6
7	7	7
8	8	8
9	9	9



U467  
VP40578

