





# DUAL BAND Mobile Cellular Phone SGH-R210E

# ***SERVICE*** *Manual*

## DUAL BAND MOBILE CELLULAR PHONE



## CONTENTS

1. Exploded Views and Parts List
2. PCB Diagrams
3. Electrical Parts List
4. Block Diagrams
5. Flow Chart of Troubleshooting and Circuit Diagrams

---

## **1. Exploded Views and Parts List**

- 1-1 Main
- 1-2 Main Parts List
- 1-3 Travel Adapter
- 1-4 Travel Adapter Parts List
- 1-5 Ciger Light Adapter
- 1-6 Ciger Light Adapter Parts List
- 1-7 Test Jig
- 1-8 EAR Microphone
- 1-9 Data Kit
- 1-10 Battery Charger

## **2. PCB Diagrams**

- 2-1 Main Top
- 2-2 Main Bottom

## **3. Electrical Parts List**

- 3-1 Main Parts List Top
- 3-2 Main Parts List Bottom

## **4. Block Diagrams**

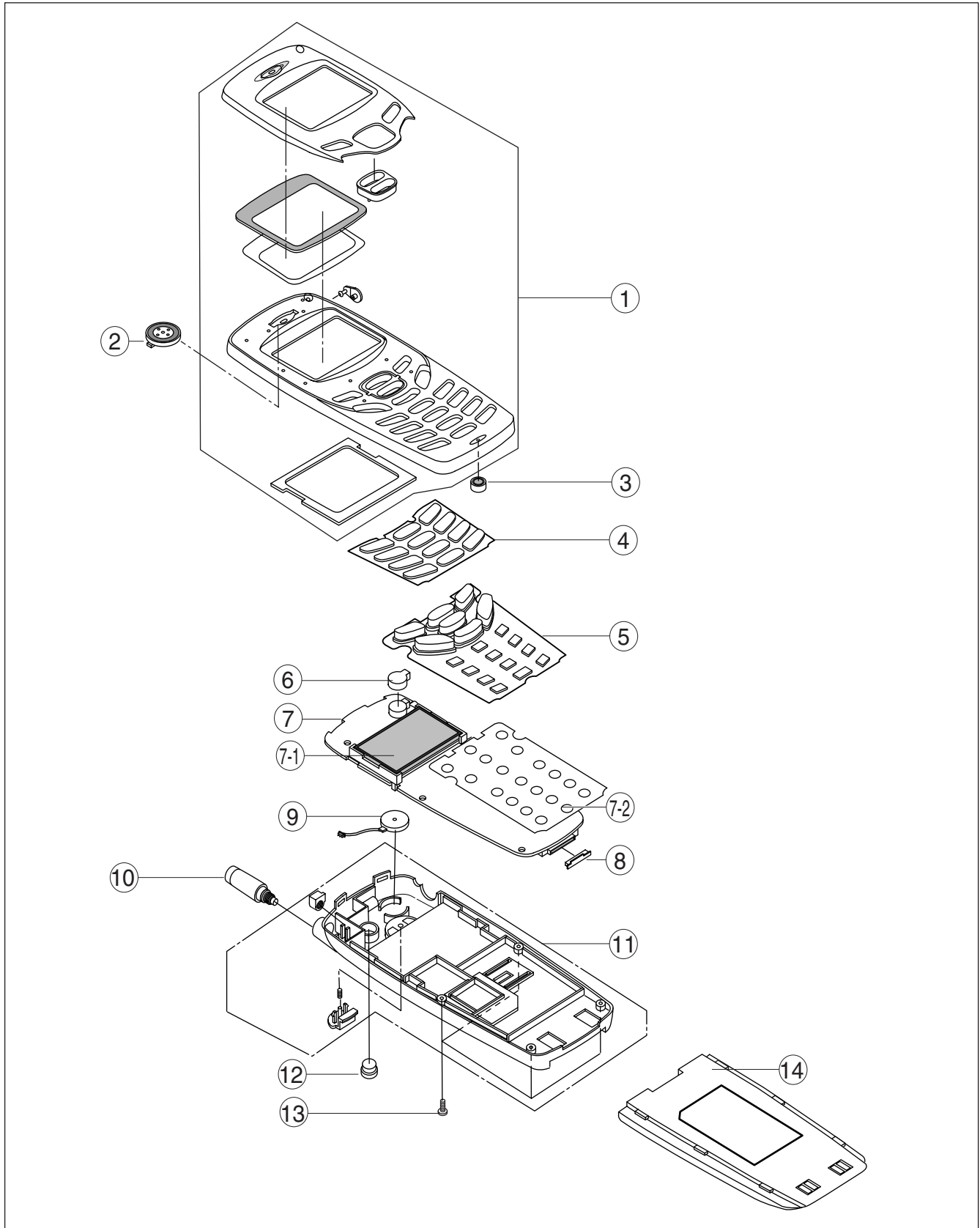
- 4-1 Main Baseband
- 4-2 Main RF
  - 4-2-1 RF Transmit Part
  - 4-2-2 RF Receive Part

## **5. Flow Chart of Troubleshooting and Circuit Diagrams**

- 5-1 Power ON
  - 5-2 Initial
  - 5-3 Charging Part
  - 5-4 Sim Part
  - 5-5 Microphone Part
  - 5-6 Speaker Part
  - 5-7 Key Data Input
  - 5-8 Alert Tone
  - 5-9 Ring Indicator
  - 5-10 Back Light
  - 5-11 GSM Receiver
  - 5-12 GSM Transmitter
  - 5-13 DCS Receiver
  - 5-14 DCS Transmitter
-

# 1. SGH-R210E Exploded Views and Parts List

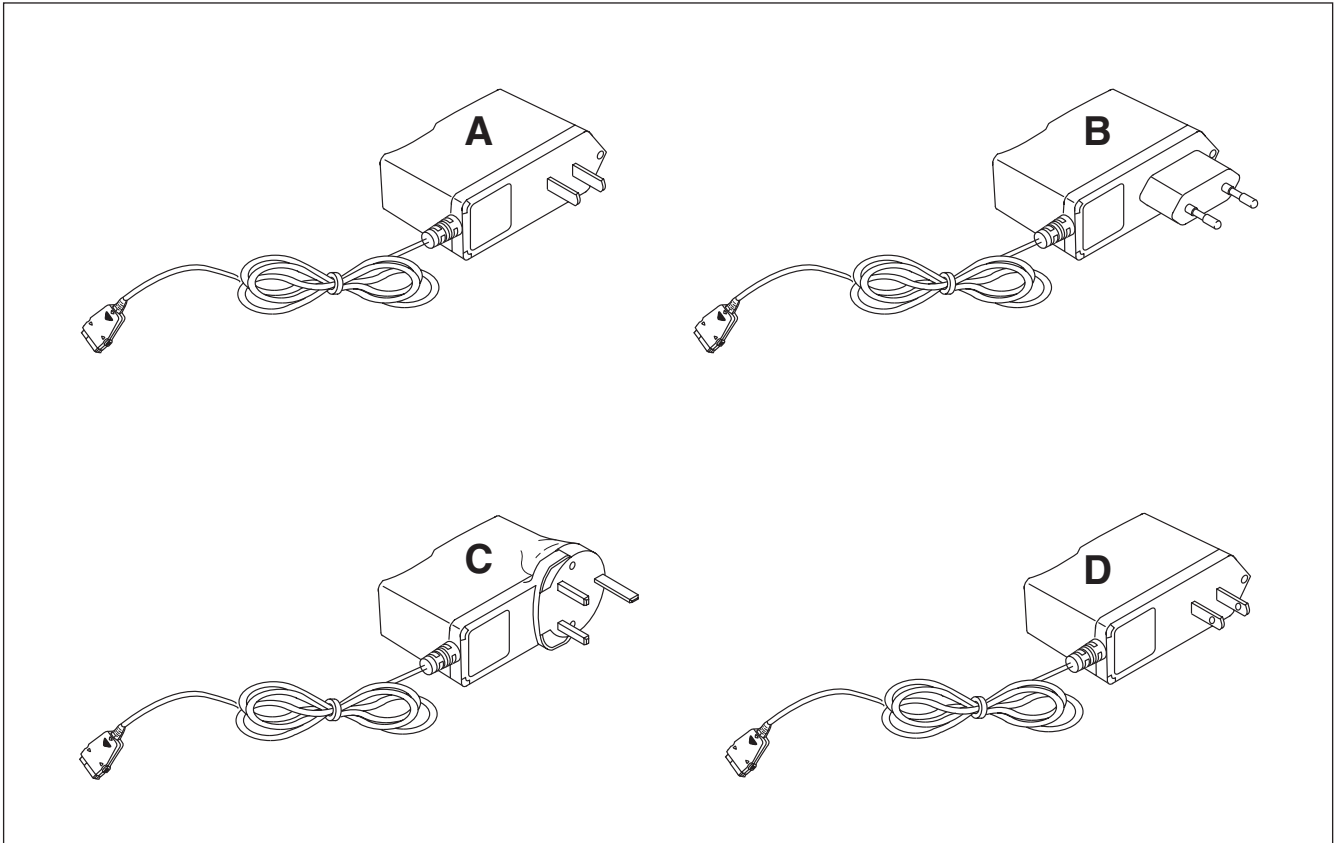
## 1-1 Main



## 1-2 Main Parts List

Location No.	Description	SEC CODE			Remark
		Navy Blue	Green	Dark Gray	
1	MEC-FRONT COVER	GH75-01484A	GH75-01484B	GH75-01484C	
2	SPEAKER	3001-001233	3001-001233	3001-001233	
3	MIC	GH59-00240B	GH59-00240B	GH59-00240B	
4	F1 KEY	GH72-02784A	GH72-02784A	GH72-02784A	
5	KEY PAD	GH75-01160A	GH75-01160A	GH75-01160A	
6	BUZZER	3002-001098	3002-001098	3002-001098	
7	MAIN PBA	GH92-01315A	GH92-01315A	GH92-01315A	
	7-1 LCD	GH07-00075B	GH07-00075B	GH07-00075B	
	7-2 DOME SHEET	GH72-02984B	GH72-02984B	GH72-02984B	
8	COVER CONNECTOR	GH73-00758A	GH73-00758B	GH73-00758C	
9	VIBRATOR	GH31-00019A	GH31-00019A	GH31-00019A	
10	ANTENNA	GH42-00120C	GH42-00120B	GH42-00120A	
11	MEC-REAR COVER	GH75-01165A	GH75-01165B	GH75-01165C	
12	RF JACK HOLDER	GH73-00759A	GH73-00759B	GH73-00759C	
13	SCREW-MACHINE	6001-001542	6001-001542	6001-001542	
14	BATTERY	GH43-00369A	GH43-00369B	GH43-00369C	

## 1-3 Travel Adapter



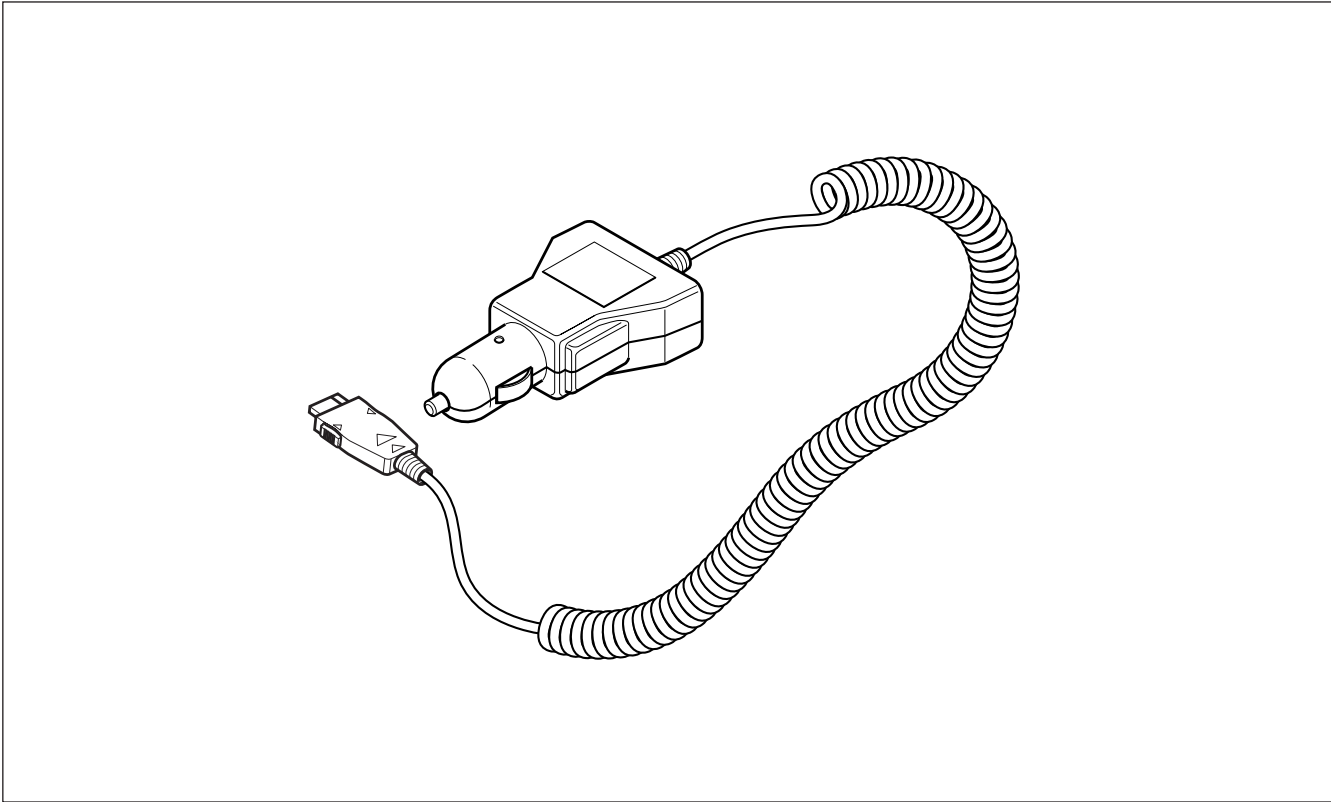
## 1-4 Travel Adapter Parts List

TYPE	SEC CODE	REMARK
A	GH44-00171A	CHINA
B	GH44-00184A	EUROPE
C	GH44-00171C	UNITED KINGDOM
D	Gh44-00171E	TAIWAN

---

## 1-5 Ciger Light Adapter

---

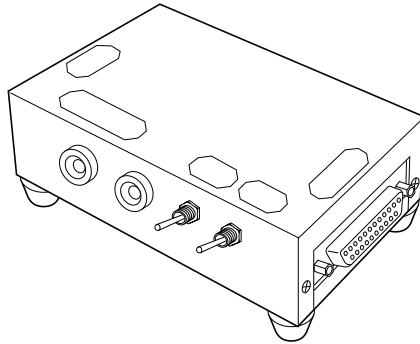


## 1-6 Ciger Light Adapter Parts List

---

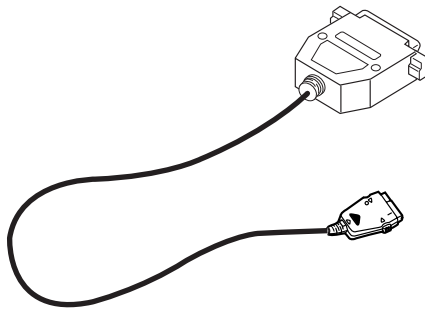
DESCRIPTION	SEC CODE	REMARK
Ciger Light Adapter Code	GH44-00170A	BLACK

## 1-7 Test Jig



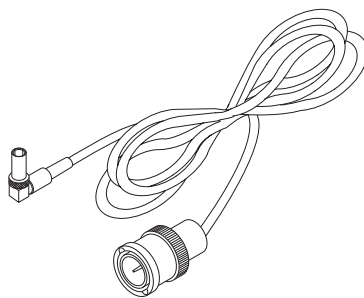
TEST JIG

GH80-10508A



TEST JIG CABLE

GH39-00079A

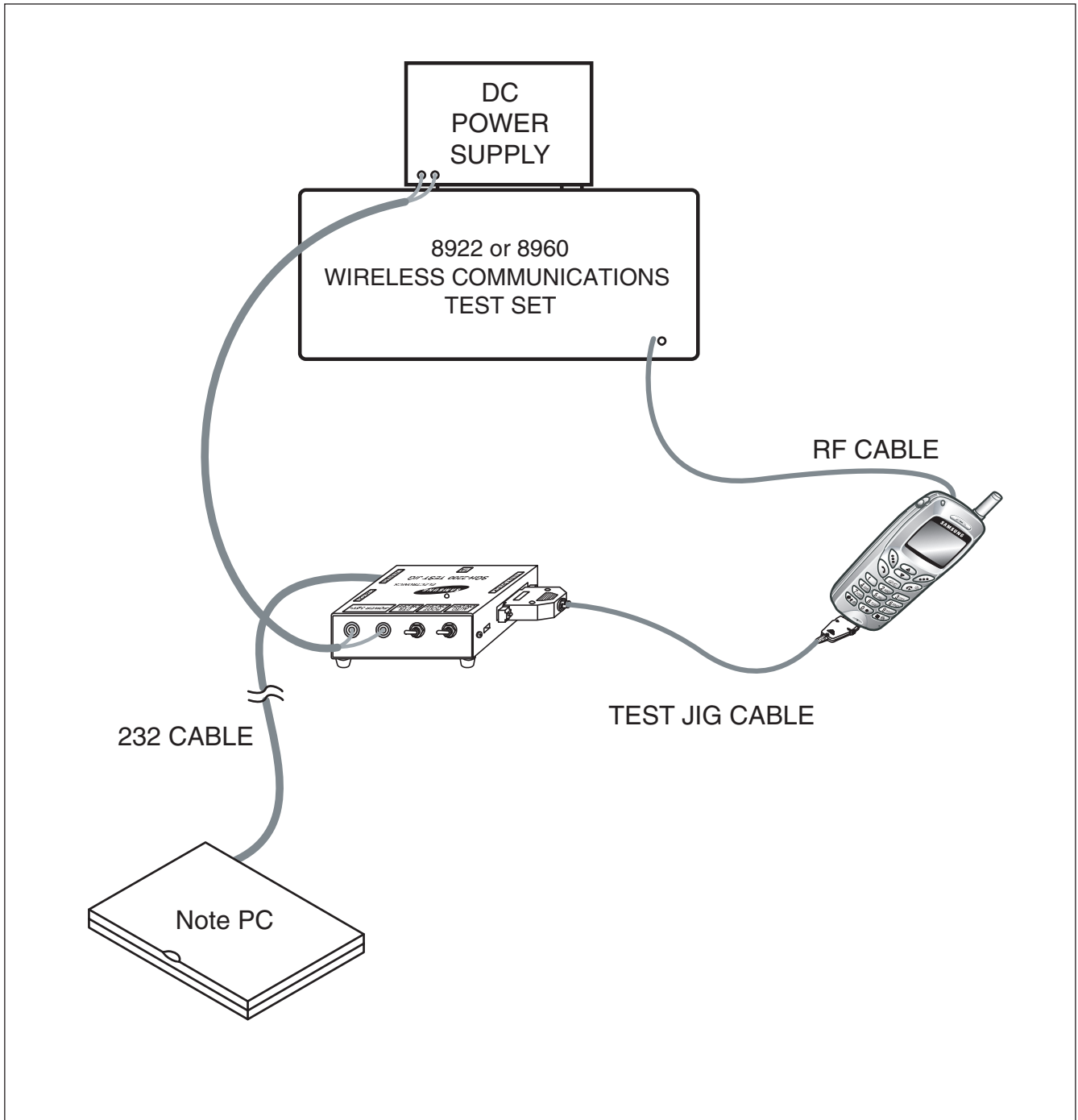


RF CABLE

GH39-00090A



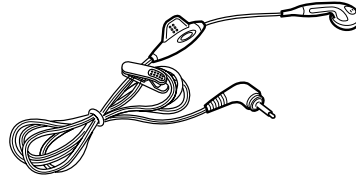
## 1-7-1 Test Jig



---

## 1-8 EAR Microphone

---



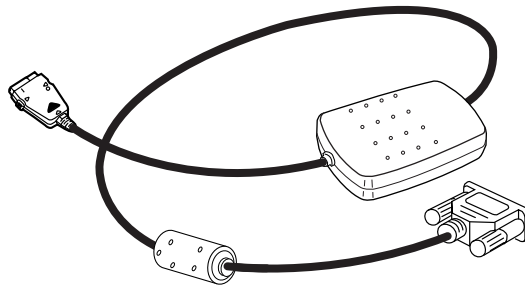
EAR MICROPHONE

GH59-00225B

---

## 1-9 Data Kit

---



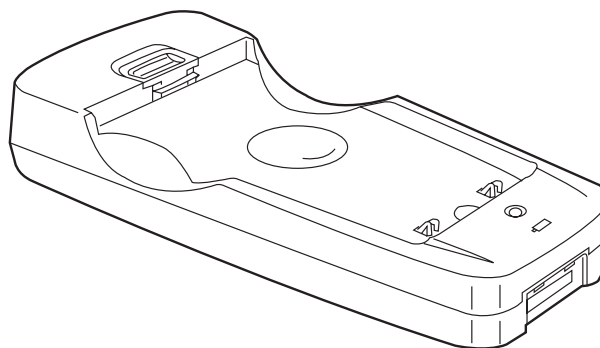
DATA KIT

GH39-00078A

---

## 1-10 Battery Charger

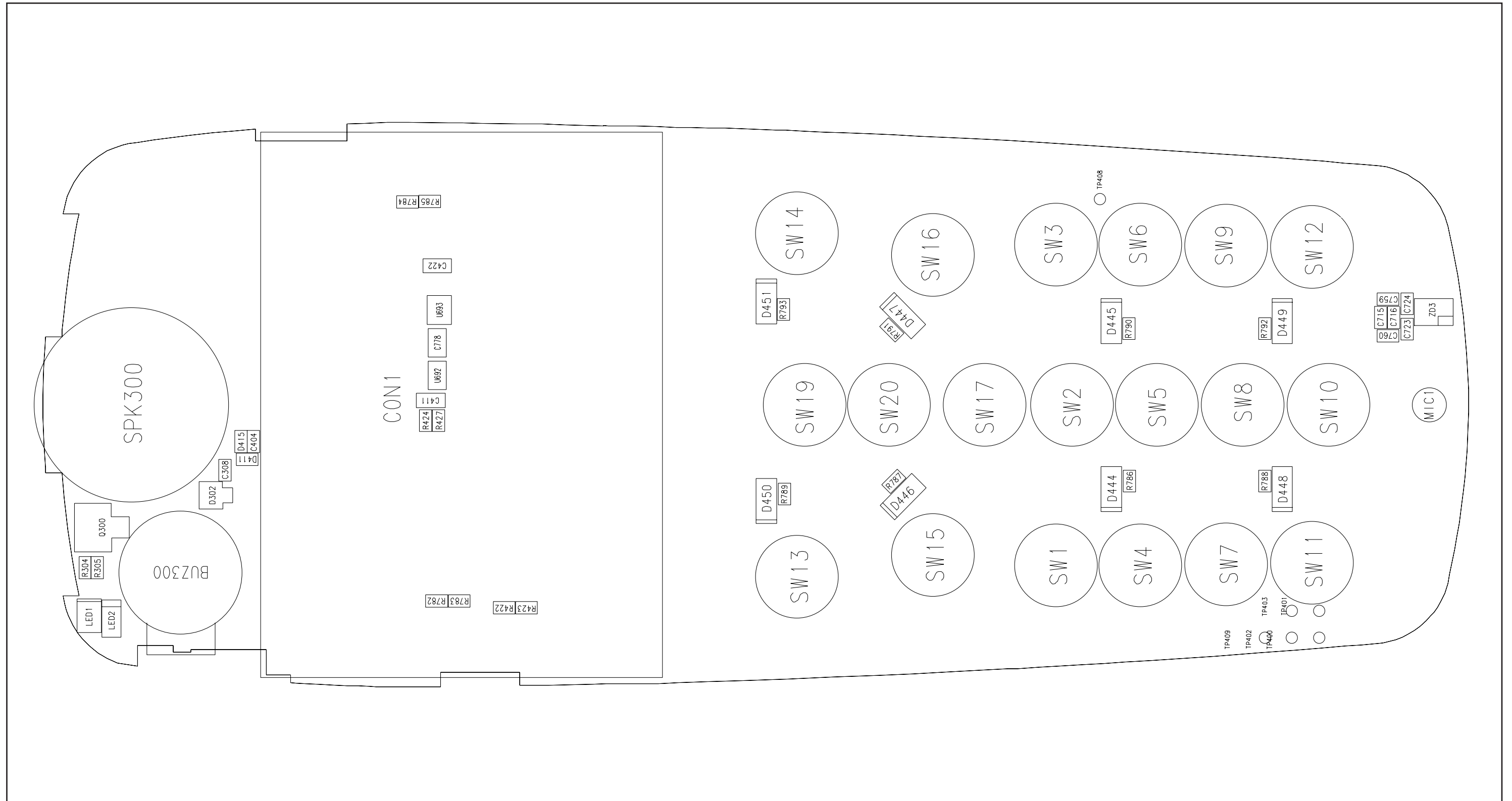
---



BATTERY CHARGER

GH44-00234A





## 3. Electrical Parts List

### 3-1 Main Parts List Top

NO	Reference	SEC CODE	Part	Description	Vendor Part No.
1	D441	0401-001033	DIODE-SWITCHING	"MCL4154,25V,200mA,M-MELF,TP"	MCL4154
2	D406	0406-001083	DIODE-TVS	"-,6.1/-/7.2V,150W,SOT-323-5L"	ESDA6V1W5
3	D407	0406-001083	DIODE-TVS	"-,6.1/-/7.2V,150W,SOT-323-5L"	ESDA6V1W5
4	D408	0406-001083	DIODE-TVS	"-,6.1/-/7.2V,150W,SOT-323-5L"	ESDA6V1W5
5	ZD1	0406-001083	DIODE-TVS	"-,6.1/-/7.2V,150W,SOT-323-5L"	ESDA6V1W5
6	ZD2	0406-001083	DIODE-TVS	"-,6.1/-/7.2V,150W,SOT-323-5L"	ESDA6V1W5
7	D401	0407-001002	DIODE-ARRAY	"DAN222,80V,300mA,CA2-3,EM3,TP"	DAN222
8	D304	0407-001007	DIODE-ARRAY	"UMN1,80V,25mA,CA4-2,UM5,TR"	UMN1TR
9	Q400	0501-000162	TR-SMALL SIGNAL	"2SA1576,PNP,200MW,SOT-323,TP"	STA1576G
10	Q100	0501-000225	TR-SMALL SIGNAL	"2SC4617,NPN,200mW,EM3,TP,120-5"	2SC4617R
11	Q403	0501-002011	TR-SMALL SIGNAL	"2SD2114K,NPN,200mW,SOT-23,TP,8"	2SD2114KT146V
12	Q405	0502-001201	TR-POWER	"ZXT13P20DE6,PNP,1100MW,SOT-23-6"	ZXT13P20DE6TA
13	Q409	0504-000167	TR-DIGITAL	"RN1102,NPN,100MW,10K/10K,SSM,TP"	DTC114EET1
14	Q411	0504-001012	TR-DIGITAL	"DTC114YE,NPN,150MW,10K/47K,EMT3,TP"	DTC114YE
15	Q410	0504-001049	TR-DIGITAL	"DTA114YE,PNP,150MW,10K/47K,EMT3,TP"	DTA114YE
16	U204	0504-001058	TR-DIGITAL	"RN4985,NPN/PNP,200mW,2.2Kohm/47Kohm"	RN4985(TE85L)
17	U465	0504-001058	TR-DIGITAL	"RN4985,NPN/PNP,200mW,2.2Kohm/47Kohm"	RN4985(TE85L)
18	U492	0504-001058	TR-DIGITAL	"RN4985,NPN/PNP,200mW,2.2Kohm/47Kohm"	RN4985(TE85L)
19	Q401	0505-001332	FET-SILICON	"FDG6301,N,25V,0.22A,4OHM,.3W,SC70-6"	FDG6301N
20	U474	0505-001376	FET-SILICON	"FDC6329L,N/P,8V,2.5A,-,0.7W,SC-74"	SI3865DV-T1
21	Q402	0505-001570	FET-SILICON	"-,N/P,-,-,0.4W,SC70-6"	SI1865DL-T1
22	U309	0506-001004	TR-ARRAY	"UMC5N,NPN/PNP,2,50V,-,100mA,3"	UMC5NTR
23	U651	0506-001052	TR-ARRAY	"UMH9N,NPN,2,150MW,SC-88,TP,68-"	UMH9N-TN
24	U617	1103-001185	IC-EEPROM	"24A2561,32Kx8Bit,TSSOP,8P,-,1.8V,"	S524ADOXF1-RCTO
25	U464	1106-001400	IC-SRAM	"K6F4016U6E,256KX16BIT,TBGA, 48P,6X7MM"	K6F4016U6E
26	U466	1107-001304	IC-FLASH MEMORY	"AM29DL162,2MX8BIT,FBGA, 48P,-,90NS,3V,10%"	AM29DL162DT-90WCI
27	U476	1201-001889	IC-POWER AMP	"3110,SMD-MODULE,40P,10X10MM,DUAL"	RF3110
28	U621	1203-001204	IC-VOLTAGE REGULATOR	"2981,SOT-23,5P,59MIL,PLASTIC,3"	LP2981AIM5X-3.3
29	U620	1203-001454	IC-VOLTAGE REGULATOR	"2981,SOT-23,5P,59MIL,PLASTIC,3"	LP2981AIM5X-3.0
30	U470	1203-001454	IC-VOLTAGE REGULATOR	"2981,SOT-23,5P,59MIL,PLASTIC,3"	LP2981AIM5X-3.0
31	U614	1203-002127	IC-BATTERY	"1734,SOT-23,6P,150MIL,PLASTIC,4.7/5.3V"	LTC1734ES6#TR
32	U475	1203-002247	IC-VOL. DETECTOR	"S-809,SOT-23-5,5P,-,-,150MW"	S-80926ALMP-DAP-T2
33	U102	1203-002598	IC-VOLTAGE REGULATOR	"2981,SOT-23,5P,2.92X1.6MM,PLASTIC"	LP2981AIM5X-2.8

NO	Reference	SEC CODE	Part	Description	Vendor Part No.
34	U101	1203-002598	IC-VOLTAGE REGULATOR	"2981,SOT-23,5P,2.92X1.6MM,PLASTIC"	LP2981AIM5X-2.8
35	U619	1203-002599	IC-VOLTAGE REGULATOR	"2981,SOT-23,5P,2.92X1.6MM,PLASTIC"	LP2981AIM5X-2.5
36	U467	1205-002035	IC-COMM. CONTROLLER	"VP40581B,FBGA,180P,-,PLASTIC,3.3V,-,"	VP40581B
37	U623	1205-002184	IC-TRANSCEIVER	"SI4200-BM,MLP,32P,5X5MM,-,3V,-,-20TO+85C"	SI4200-BM
38	U685	1205-002185	IC-INTERFACE	"SI4201-BM,MLP,20P,4X4MM,-,3V,-,-20TO+85C"	SI4201-BM
39	U684	1209-001434	IC-PLL/SYNTHESISER	"SI4133T-BM,MLP,28P,5X5MM,-,3V,-,-20TO+85C"	SI4133T-BM
40	TH1	1404-001256	THERMISTOR-NTC	"47KOHM,-,4500K,-,-,TP"	B57231-V2473-J60
41	D424	1405-001018	VARISTOR	"14V,-,1.6x0.8mm,TP"	VC060314A300R
42	D419	1405-001019	VARISTOR	"5.6V,-,1.6x0.8mm,TP"	VC060305A150R
43	D420	1405-001019	VARISTOR	"5.6V,-,1.6x0.8mm,TP"	VC060305A150R
44	D442	1405-001093	VARISTOR	"14V,20A,1x0.5x0.6mm,TP"	AVL 14K 02 200
45	D453	1405-001093	VARISTOR	"14V,20A,1x0.5x0.6mm,TP"	AVL 14K 02 200
46	D421	1405-001093	VARISTOR	"14V,20A,1x0.5x0.6mm,TP"	AVL 14K 02 200
47	D422	1405-001093	VARISTOR	"14V,20A,1x0.5x0.6mm,TP"	AVL 14K 02 200
48	D443	1405-001093	VARISTOR	"14V,20A,1x0.5x0.6mm,TP"	AVL 14K 02 200
49	R117	2007-000138	R-CHIP	"100ohm,5%,1/16W,DA,TP,1005"	ERJ2GEJ101X
50	R321	2007-000138	R-CHIP	"100ohm,5%,1/16W,DA,TP,1005"	ERJ2GEJ101X
51	R444	2007-000139	R-CHIP	"220ohm,5%,1/16W,DA,TP,1005"	ERJ2GEJ221X
52	R447	2007-000139	R-CHIP	"220ohm,5%,1/16W,DA,TP,1005"	ERJ2GEJ221X
53	R106	2007-000140	R-CHIP	"1Kohm,5%,1/16W,DA,TP,1005"	MCR01MZSJ102
54	R575	2007-000140	R-CHIP	"1Kohm,5%,1/16W,DA,TP,1005"	MCR01MZSJ102
55	R584	2007-000140	R-CHIP	"1Kohm,5%,1/16W,DA,TP,1005"	MCR01MZSJ102
56	R738	2007-000140	R-CHIP	"1Kohm,5%,1/16W,DA,TP,1005"	MCR01MZSJ102
57	R103	2007-000141	R-CHIP	"2.2Kohm,5%,1/16W,DA,TP,1005"	ERJ2GEJ222X
58	R433	2007-000141	R-CHIP	"2.2Kohm,5%,1/16W,DA,TP,1005"	ERJ2GEJ222X
59	R434	2007-000141	R-CHIP	"2.2Kohm,5%,1/16W,DA,TP,1005"	ERJ2GEJ222X
60	R402	2007-000142	R-CHIP	"2.7Kohm,5%,1/16W,DA,TP,1005"	MCR01MZSJ272
61	R101	2007-000148	R-CHIP	"10Kohm,5%,1/16W,DA,TP,1005"	RC1005J103CS
62	R238	2007-000148	R-CHIP	"10Kohm,5%,1/16W,DA,TP,1005"	RC1005J103CS
63	R240	2007-000148	R-CHIP	"10Kohm,5%,1/16W,DA,TP,1005"	RC1005J103CS
64	R303	2007-000148	R-CHIP	"10Kohm,5%,1/16W,DA,TP,1005"	RC1005J103CS
65	R313	2007-000148	R-CHIP	"10Kohm,5%,1/16W,DA,TP,1005"	RC1005J103CS
66	R315	2007-000148	R-CHIP	"10Kohm,5%,1/16W,DA,TP,1005"	RC1005J103CS
67	R348	2007-000148	R-CHIP	"10Kohm,5%,1/16W,DA,TP,1005"	RC1005J103CS
68	R430	2007-000148	R-CHIP	"10Kohm,5%,1/16W,DA,TP,1005"	RC1005J103CS
69	R461	2007-000148	R-CHIP	"10Kohm,5%,1/16W,DA,TP,1005"	RC1005J103CS
70	R527	2007-000148	R-CHIP	"10Kohm,5%,1/16W,DA,TP,1005"	RC1005J103CS
71	R535	2007-000148	R-CHIP	"10Kohm,5%,1/16W,DA,TP,1005"	RC1005J103CS
72	R554	2007-000148	R-CHIP	"10Kohm,5%,1/16W,DA,TP,1005"	RC1005J103CS
73	R558	2007-000148	R-CHIP	"10Kohm,5%,1/16W,DA,TP,1005"	RC1005J103CS

NO	Reference	SEC CODE	Part	Description	Vendor Part No.
74	R655	2007-000148	R-CHIP	"10Kohm,5%,1/16W,DA,TP,1005"	RC1005J103CS
75	R661	2007-000148	R-CHIP	"10Kohm,5%,1/16W,DA,TP,1005"	RC1005J103CS
76	R526	2007-000148	R-CHIP	"10Kohm,5%,1/16W,DA,TP,1005"	RC1005J103CS
77	R429	2007-000152	R-CHIP	"20Kohm,5%,1/16W,DA,TP,1005"	MCR01MZSJ203
78	R617	2007-000153	R-CHIP	"22Kohm,5%,1/16W,DA,TP,1005"	ERJ2GEJ223X
79	R764	2007-000153	R-CHIP	"22Kohm,5%,1/16W,DA,TP,1005"	ERJ2GEJ223X
80	R104	2007-000155	R-CHIP	"27Kohm,5%,1/16W,DA,TP,1005"	RC1005J273CS
81	R441	2007-000157	R-CHIP	"47Kohm,5%,1/16W,DA,TP,1005"	MCR01MZSJ473
82	R442	2007-000157	R-CHIP	"47Kohm,5%,1/16W,DA,TP,1005"	MCR01MZSJ473
83	R656	2007-000159	R-CHIP	"56Kohm,5%,1/16W,DA,TP,1005"	RC1005J563CS
84	R316	2007-000162	R-CHIP	"100Kohm,5%,1/16W,DA,TP,1005"	ERJ2GEJ104X
85	R432	2007-000162	R-CHIP	"100Kohm,5%,1/16W,DA,TP,1005"	ERJ2GEJ104X
86	R435	2007-000162	R-CHIP	"100Kohm,5%,1/16W,DA,TP,1005"	ERJ2GEJ104X
87	R437	2007-000162	R-CHIP	"100Kohm,5%,1/16W,DA,TP,1005"	ERJ2GEJ104X
88	R438	2007-000162	R-CHIP	"100Kohm,5%,1/16W,DA,TP,1005"	ERJ2GEJ104X
89	R450	2007-000162	R-CHIP	"100Kohm,5%,1/16W,DA,TP,1005"	ERJ2GEJ104X
90	R555	2007-000162	R-CHIP	"100Kohm,5%,1/16W,DA,TP,1005"	ERJ2GEJ104X
91	R579	2007-000162	R-CHIP	"100Kohm,5%,1/16W,DA,TP,1005"	ERJ2GEJ104X
92	R583	2007-000162	R-CHIP	"100Kohm,5%,1/16W,DA,TP,1005"	ERJ2GEJ104X
93	R605	2007-000162	R-CHIP	"100Kohm,5%,1/16W,DA,TP,1005"	ERJ2GEJ104X
94	R606	2007-000162	R-CHIP	"100Kohm,5%,1/16W,DA,TP,1005"	ERJ2GEJ104X
95	R638	2007-000162	R-CHIP	"100Kohm,5%,1/16W,DA,TP,1005"	ERJ2GEJ104X
96	R440	2007-000168	R-CHIP	"470Kohm,5%,1/16W,DA,TP,1005"	RK73K1ETP474J
97	R577	2007-000172	R-CHIP	"10ohm,5%,1/16W,DA,TP,1005"	RC1005J100CS
98	R578	2007-000172	R-CHIP	"10ohm,5%,1/16W,DA,TP,1005"	RC1005J100CS
99	R105	2007-001244	R-CHIP	"91Kohm,5%,1/16W,DA,TP,1005"	RC1005J913CS
100	R751	2007-001298	R-CHIP	"51ohm,5%,1/16W,DA,TP,1005"	MCR01MZSJ510
101	R752	2007-001298	R-CHIP	"51ohm,5%,1/16W,DA,TP,1005"	MCR01MZSJ510
102	R753	2007-001298	R-CHIP	"51ohm,5%,1/16W,DA,TP,1005"	MCR01MZSJ510
103	R754	2007-001298	R-CHIP	"51ohm,5%,1/16W,DA,TP,1005"	MCR01MZSJ510
104	R107	2007-001298	R-CHIP	"51ohm,5%,1/16W,DA,TP,1005"	MCR01MZSJ510
105	R445	2007-002796	R-CHIP	"510ohm,5%,1/16W,DA,TP,1005"	MCR01MZSJ511
106	R446	2007-002796	R-CHIP	"510ohm,5%,1/16W,DA,TP,1005"	MCR01MZSJ511
107	R728	2007-002970	R-CHIP	"56OHM,5%,1/16W,DA,TP,1005"	RC1005J560CS
108	R644	2007-007009	R-CHIP	"75OHM,5%,1/16W,DA,TP,1005"	ERJ2GEJ750X
109	R749	2007-007015	R-CHIP	"13KOHM,5%,1/16W,DA,TP,1005"	MCR01MZSJ133
110	R642	2007-007095	R-CHIP	"390OHM,5%,1/16W,DA,TP,1005"	MCR01MZSJ391
111	R658	2007-007107	R-CHIP	"100Kohm,1%,1/16W,DA,TP,1005"	RK73H1ETP1003F
112	R452	2007-007317	R-CHIP	"2.2Kohm,1%,1/16W,DA,TP,1005"	MCR01MZSF2201
113	R453	2007-007317	R-CHIP	"2.2Kohm,1%,1/16W,DA,TP,1005"	MCR01MZSF2201
114	R454	2007-007317	R-CHIP	"2.2Kohm,1%,1/16W,DA,TP,1005"	MCR01MZSF2201
115	R455	2007-007317	R-CHIP	"2.2Kohm,1%,1/16W,DA,TP,1005"	MCR01MZSF2201
116	R456	2007-007318	R-CHIP	"1Kohm,1%,1/16W,DA,TP,1005"	RK73H1ETP1001F

NO	Reference	SEC CODE	Part	Description	Vendor Part No.
117	R457	2007-007318	R-CHIP	"1Kohm,1%,1/16W,DA,TP,1005"	RK73H1ETP1001F
118	R458	2007-007318	R-CHIP	"1Kohm,1%,1/16W,DA,TP,1005"	RK73H1ETP1001F
119	R459	2007-007318	R-CHIP	"1Kohm,1%,1/16W,DA,TP,1005"	RK73H1ETP1001F
120	R659	2007-007590	R-CHIP	"82Kohm,1%,1/16W,DA,TP,1005"	ERJ2RKF8202X
121	R319	2007-007771	R-CHIP	"0OHM,5%,1/16W,DA,TP,1005"	RC1005J000CS
122	R401	2007-007771	R-CHIP	"0OHM,5%,1/16W,DA,TP,1005"	RC1005J000CS
123	R626	2007-007771	R-CHIP	"0OHM,5%,1/16W,DA,TP,1005"	RC1005J000CS
124	R733	2007-007771	R-CHIP	"0OHM,5%,1/16W,DA,TP,1005"	RC1005J000CS
125	R734	2007-007771	R-CHIP	"0OHM,5%,1/16W,DA,TP,1005"	RC1005J000CS
126	R765	2007-007771	R-CHIP	"0OHM,5%,1/16W,DA,TP,1005"	RC1005J000CS
127	R779	2007-007771	R-CHIP	"0OHM,5%,1/16W,DA,TP,1005"	RC1005J000CS
128	U696	2007-007771	R-CHIP	"0OHM,5%,1/16W,DA,TP,1005"	RC1005J000CS
129	R594	2007-008117	R-CHIP	"2.7Kohm,1%,1/16W,DA,TP,1005"	RK73H1ETP2701F
130	R320	2011-001344	R-NETWORK	"100ohm,5%,1/16W,L,CHIP,8P,TP"	EXB28V101JX
131	R485	2011-001344	R-NETWORK	"100ohm,5%,1/16W,L,CHIP,8P,TP"	EXB28V101JX
132	R449	2011-001345	R-NETWORK	"10Kohm,5%,1/16W,L,CHIP,8P,TP"	EXB28V103JX
133	C126	2203-000233	"C-CERAMIC,CHIP"	"0.1nF,5%,50V,NP0,TP,1005"	GRP1555C1H101JD01E
134	C144	2203-000233	"C-CERAMIC,CHIP"	"0.1nF,5%,50V,NP0,TP,1005"	GRP1555C1H101JD01E
135	C305	2203-000233	"C-CERAMIC,CHIP"	"0.1nF,5%,50V,NP0,TP,1005"	GRP1555C1H101JD01E
136	C657	2203-000233	"C-CERAMIC,CHIP"	"0.1nF,5%,50V,NP0,TP,1005"	GRP1555C1H101JD01E
137	C719	2203-000233	"C-CERAMIC,CHIP"	"0.1nF,5%,50V,NP0,TP,1005"	GRP1555C1H101JD01E
138	C718	2203-000233	"C-CERAMIC,CHIP"	"0.1nF,5%,50V,NP0,TP,1005"	GRP1555C1H101JD01E
139	C764	2203-000233	"C-CERAMIC,CHIP"	"0.1nF,5%,50V,NP0,TP,1005"	GRP1555C1H101JD01E
140	C789	2203-000233	"C-CERAMIC,CHIP"	"0.1nF,5%,50V,NP0,TP,1005"	GRP1555C1H101JD01E
141	C791	2203-000233	"C-CERAMIC,CHIP"	"0.1nF,5%,50V,NP0,TP,1005"	GRP1555C1H101JD01E
142	C792	2203-000233	"C-CERAMIC,CHIP"	"0.1nF,5%,50V,NP0,TP,1005"	GRP1555C1H101JD01E
143	C793	2203-000233	"C-CERAMIC,CHIP"	"0.1nF,5%,50V,NP0,TP,1005"	GRP1555C1H101JD01E
144	C797	2203-000233	"C-CERAMIC,CHIP"	"0.1nF,5%,50V,NP0,TP,1005"	GRP1555C1H101JD01E
145	C101	2203-000254	"C-CERAMIC,CHIP"	"10nF,10%,16V,X7R,TP,1005,-"	CM05X7R103K16AH
146	C102	2203-000254	"C-CERAMIC,CHIP"	"10nF,10%,16V,X7R,TP,1005,-"	CM05X7R103K16AH
147	C123	2203-000254	"C-CERAMIC,CHIP"	"10nF,10%,16V,X7R,TP,1005,-"	CM05X7R103K16AH
148	C307	2203-000254	"C-CERAMIC,CHIP"	"10nF,10%,16V,X7R,TP,1005,-"	CM05X7R103K16AH
149	C309	2203-000254	"C-CERAMIC,CHIP"	"10nF,10%,16V,X7R,TP,1005,-"	CM05X7R103K16AH
150	C313	2203-000254	"C-CERAMIC,CHIP"	"10nF,10%,16V,X7R,TP,1005,-"	CM05X7R103K16AH
151	C319	2203-000254	"C-CERAMIC,CHIP"	"10nF,10%,16V,X7R,TP,1005,-"	CM05X7R103K16AH
152	C326	2203-000254	"C-CERAMIC,CHIP"	"10nF,10%,16V,X7R,TP,1005,-"	CM05X7R103K16AH
153	C331	2203-000254	"C-CERAMIC,CHIP"	"10nF,10%,16V,X7R,TP,1005,-"	CM05X7R103K16AH
154	C335	2203-000254	"C-CERAMIC,CHIP"	"10nF,10%,16V,X7R,TP,1005,-"	CM05X7R103K16AH
155	C434	2203-000254	"C-CERAMIC,CHIP"	"10nF,10%,16V,X7R,TP,1005,-"	CM05X7R103K16AH
156	C440	2203-000254	"C-CERAMIC,CHIP"	"10nF,10%,16V,X7R,TP,1005,-"	CM05X7R103K16AH
157	C449	2203-000254	"C-CERAMIC,CHIP"	"10nF,10%,16V,X7R,TP,1005,-"	CM05X7R103K16AH
158	C536	2203-000254	"C-CERAMIC,CHIP"	"10nF,10%,16V,X7R,TP,1005,-"	CM05X7R103K16AH
159	C587	2203-000254	"C-CERAMIC,CHIP"	"10nF,10%,16V,X7R,TP,1005,-"	CM05X7R103K16AH



NO	Reference	SEC CODE	Part	Description	Vendor Part No.
160	C712	2203-000254	"C-CERAMIC,CHIP"	"10nF,10%,16V,X7R,TP,1005,-"	CM05X7R103K16AH
161	C762	2203-000254	"C-CERAMIC,CHIP"	"10nF,10%,16V,X7R,TP,1005,-"	CM05X7R103K16AH
162	C807	2203-000254	"C-CERAMIC,CHIP"	"10nF,10%,16V,X7R,TP,1005,-"	CM05X7R103K16AH
163	C444	2203-000425	"C-CERAMIC,CHIP"	"0.018nF,5%,50V,NP0,TP,1005"	CM05CG180J50AH
164	C445	2203-000425	"C-CERAMIC,CHIP"	"0.018nF,5%,50V,NP0,TP,1005"	CM05CG180J50AH
165	C270	2203-000438	"C-CERAMIC,CHIP"	"1nF,10%,50V,X7R,TP,1005,-"	ECUE1H102KBQ
166	C821	2203-000628	"C-CERAMIC,CHIP"	"0.022nF,5%,50V,NP0,TP,1005"	GRP1555C1H220JZ01E
167	C267	2203-000679	"C-CERAMIC,CHIP"	"0.027nF,5%,50V,NP0,TP,1005"	CM05CG270J50AH
168	C269	2203-000679	"C-CERAMIC,CHIP"	"0.027nF,5%,50V,NP0,TP,1005"	CM05CG270J50AH
169	C330	2203-000679	"C-CERAMIC,CHIP"	"0.027nF,5%,50V,NP0,TP,1005"	CM05CG270J50AH
170	C540	2203-000679	"C-CERAMIC,CHIP"	"0.027nF,5%,50V,NP0,TP,1005"	CM05CG270J50AH
171	C555	2203-000679	"C-CERAMIC,CHIP"	"0.027nF,5%,50V,NP0,TP,1005"	CM05CG270J50AH
172	C569	2203-000679	"C-CERAMIC,CHIP"	"0.027nF,5%,50V,NP0,TP,1005"	CM05CG270J50AH
173	C586	2203-000679	"C-CERAMIC,CHIP"	"0.027nF,5%,50V,NP0,TP,1005"	CM05CG270J50AH
174	C741	2203-000679	"C-CERAMIC,CHIP"	"0.027nF,5%,50V,NP0,TP,1005"	CM05CG270J50AH
175	C768	2203-000679	"C-CERAMIC,CHIP"	"0.027nF,5%,50V,NP0,TP,1005"	CM05CG270J50AH
176	C771	2203-000679	"C-CERAMIC,CHIP"	"0.027nF,5%,50V,NP0,TP,1005"	CM05CG270J50AH
177	C772	2203-000679	"C-CERAMIC,CHIP"	"0.027nF,5%,50V,NP0,TP,1005"	CM05CG270J50AH
178	C817	2203-000679	"C-CERAMIC,CHIP"	"0.027nF,5%,50V,NP0,TP,1005"	CM05CG270J50AH
179	C818	2203-000679	"C-CERAMIC,CHIP"	"0.027nF,5%,50V,NP0,TP,1005"	CM05CG270J50AH
180	C823	2203-000679	"C-CERAMIC,CHIP"	"0.027nF,5%,50V,NP0,TP,1005"	CM05CG270J50AH
181	U690	2203-000679	"C-CERAMIC,CHIP"	"0.027nF,5%,50V,NP0,TP,1005"	CM05CG270J50AH
182	C143	2203-000812	"C-CERAMIC,CHIP"	"0.033nF,5%,50V,NP0,TP,1005"	GRP1555C1H330JZ01E+C01
183	C264	2203-000812	"C-CERAMIC,CHIP"	"0.033nF,5%,50V,NP0,TP,1005"	GRP1555C1H330JZ01E+C01
184	C310	2203-000812	"C-CERAMIC,CHIP"	"0.033nF,5%,50V,NP0,TP,1005"	GRP1555C1H330JZ01E+C01
185	C311	2203-000812	"C-CERAMIC,CHIP"	"0.033nF,5%,50V,NP0,TP,1005"	GRP1555C1H330JZ01E+C01
186	C448	2203-000812	"C-CERAMIC,CHIP"	"0.033nF,5%,50V,NP0,TP,1005"	GRP1555C1H330JZ01E+C01
187	C647	2203-000812	"C-CERAMIC,CHIP"	"0.033nF,5%,50V,NP0,TP,1005"	GRP1555C1H330JZ01E+C01
188	C802	2203-000812	"C-CERAMIC,CHIP"	"0.033nF,5%,50V,NP0,TP,1005"	GRP1555C1H330JZ01E+C01
189	C312	2203-000812	"C-CERAMIC,CHIP"	"0.033nF,5%,50V,NP0,TP,1005"	GRP1555C1H330JZ01E+C01
190	C327	2203-000812	"C-CERAMIC,CHIP"	"0.033nF,5%,50V,NP0,TP,1005"	GRP1555C1H330JZ01E+C01
191	C437	2203-000812	"C-CERAMIC,CHIP"	"0.033nF,5%,50V,NP0,TP,1005"	GRP1555C1H330JZ01E+C01
192	C822	2203-000812	"C-CERAMIC,CHIP"	"0.033nF,5%,50V,NP0,TP,1005"	GRP1555C1H330JZ01E+C01
193	C263	2203-000812	"C-CERAMIC,CHIP"	"0.033nF,5%,50V,NP0,TP,1005"	GRP1555C1H330JZ01E+C01
194	C438	2203-000812	"C-CERAMIC,CHIP"	"0.033nF,5%,50V,NP0,TP,1005"	GRP1555C1H330JZ01E+C01
195	C439	2203-000812	"C-CERAMIC,CHIP"	"0.033nF,5%,50V,NP0,TP,1005"	GRP1555C1H330JZ01E+C01
196	C400	2203-000854	"C-CERAMIC,CHIP"	"0.039nF,5%,50V,NP0,TP,1005"	CM05CG390J50AH
197	C401	2203-000854	"C-CERAMIC,CHIP"	"0.039nF,5%,50V,NP0,TP,1005"	CM05CG390J50AH
198	C825	2203-000854	"C-CERAMIC,CHIP"	"0.039nF,5%,50V,NP0,TP,1005"	CM05CG390J50AH
199	C826	2203-000854	"C-CERAMIC,CHIP"	"0.039nF,5%,50V,NP0,TP,1005"	CM05CG390J50AH
200	C447	2203-000995	"C-CERAMIC,CHIP"	"0.047nF,5%,50V,NP0,TP,1005"	GRP1555C1H470JZ01E+C01
201	C824	2203-001383	"C-CERAMIC,CHIP"	"0.0005nF,0.25pF,50V,NP0,TP,1005"	GRP1555C1HR50CZ01E+C01
202	C775	2203-001405	"C-CERAMIC,CHIP"	"22nF,+80-20%,25V,Y5V,TP,1005"	GRP155F51E223ZA01E+A01

NO	Reference	SEC CODE	Part	Description	Vendor Part No.
203	C776	2203-001405	"C-CERAMIC,CHIP"	"22nF,+80-20%,25V,Y5V,TP,1005"	GRP155F51E223ZA01E+A01
204	C777	2203-001405	"C-CERAMIC,CHIP"	"22nF,+80-20%,25V,Y5V,TP,1005"	GRP155F51E223ZA01E+A01
205	C779	2203-001405	"C-CERAMIC,CHIP"	"22nF,+80-20%,25V,Y5V,TP,1005"	GRP155F51E223ZA01E+A01
206	C780	2203-001405	"C-CERAMIC,CHIP"	"22nF,+80-20%,25V,Y5V,TP,1005"	GRP155F51E223ZA01E+A01
207	C781	2203-001405	"C-CERAMIC,CHIP"	"22nF,+80-20%,25V,Y5V,TP,1005"	GRP155F51E223ZA01E+A01
208	C782	2203-001405	"C-CERAMIC,CHIP"	"22nF,+80-20%,25V,Y5V,TP,1005"	GRP155F51E223ZA01E+A01
209	C783	2203-001405	"C-CERAMIC,CHIP"	"22nF,+80-20%,25V,Y5V,TP,1005"	GRP155F51E223ZA01E+A01
210	C784	2203-001405	"C-CERAMIC,CHIP"	"22nF,+80-20%,25V,Y5V,TP,1005"	GRP155F51E223ZA01E+A01
211	C329	2203-003054	"C-CERAMIC,CHIP"	"0.009nF,0.25pF,50V,NP0,TP,1005"	CM05CG9R0C50AH
212	C539	2203-003054	"C-CERAMIC,CHIP"	"0.009nF,0.25pF,50V,NP0,TP,1005"	CM05CG9R0C50AH
213	C787	2203-005050	"C-CERAMIC,CHIP"	"0.0018nF,0.25pF,50V,NP0,TP,1005"	CL05C1R8CBNC
214	C788	2203-005050	"C-CERAMIC,CHIP"	"0.0018nF,0.25pF,50V,NP0,TP,1005"	CL05C1R8CBNC
215	C106	2203-005061	"C-CERAMIC,CHIP"	"100nF,+80-20%,16V,Y5V,TP,1005"	GRP155F51C104ZA01E
216	C332	2203-005061	"C-CERAMIC,CHIP"	"100nF,+80-20%,16V,Y5V,TP,1005"	GRP155F51C104ZA01E
217	C427	2203-005061	"C-CERAMIC,CHIP"	"100nF,+80-20%,16V,Y5V,TP,1005"	GRP155F51C104ZA01E
218	C534	2203-005061	"C-CERAMIC,CHIP"	"100nF,+80-20%,16V,Y5V,TP,1005"	GRP155F51C104ZA01E
219	C545	2203-005061	"C-CERAMIC,CHIP"	"100nF,+80-20%,16V,Y5V,TP,1005"	GRP155F51C104ZA01E
220	C578	2203-005061	"C-CERAMIC,CHIP"	"100nF,+80-20%,16V,Y5V,TP,1005"	GRP155F51C104ZA01E
221	C588	2203-005061	"C-CERAMIC,CHIP"	"100nF,+80-20%,16V,Y5V,TP,1005"	GRP155F51C104ZA01E
222	C597	2203-005061	"C-CERAMIC,CHIP"	"100nF,+80-20%,16V,Y5V,TP,1005"	GRP155F51C104ZA01E
223	C701	2203-005061	"C-CERAMIC,CHIP"	"100nF,+80-20%,16V,Y5V,TP,1005"	GRP155F51C104ZA01E
224	C706	2203-005061	"C-CERAMIC,CHIP"	"100nF,+80-20%,16V,Y5V,TP,1005"	GRP155F51C104ZA01E
225	C711	2203-005061	"C-CERAMIC,CHIP"	"100nF,+80-20%,16V,Y5V,TP,1005"	GRP155F51C104ZA01E
226	C318	2203-005065	"C-CERAMIC,CHIP"	"1000nF,+80-20%,10V,Y5V,TP,1608"	CL10F105ZPNC
227	C403	2203-005065	"C-CERAMIC,CHIP"	"1000nF,+80-20%,10V,Y5V,TP,1608"	CL10F105ZPNC
228	C431	2203-005065	"C-CERAMIC,CHIP"	"1000nF,+80-20%,10V,Y5V,TP,1608"	CL10F105ZPNC
229	C705	2203-005065	"C-CERAMIC,CHIP"	"1000nF,+80-20%,10V,Y5V,TP,1608"	CL10F105ZPNC
230	C748	2203-005065	"C-CERAMIC,CHIP"	"1000nF,+80-20%,10V,Y5V,TP,1608"	CL10F105ZPNC
231	C749	2203-005065	"C-CERAMIC,CHIP"	"1000nF,+80-20%,10V,Y5V,TP,1608"	CL10F105ZPNC
232	C125	2203-005065	"C-CERAMIC,CHIP"	"1000nF,+80-20%,10V,Y5V,TP,1608"	CL10F105ZPNC
233	C785	2203-005234	"C-CERAMIC,CHIP"	"0.0012nF,0.25pF,50V,NP0,TP,1005"	CL05C1R2CBNC
234	C786	2203-005234	"C-CERAMIC,CHIP"	"0.0012nF,0.25pF,50V,NP0,TP,1005"	CL05C1R2CBNC
235	C538	2203-005378	"C-CERAMIC,CHIP"	"0.0024nF,0.25pF,50V,NP0,TP,1608"	CL10C2R4CBNC
236	C450	2203-005480	"C-CERAMIC,CHIP"	"33nF,10%,10V,X7R,TP,1005,-"	C1005X7R1A333KT
237	C451	2203-005480	"C-CERAMIC,CHIP"	"33nF,10%,10V,X7R,TP,1005,-"	C1005X7R1A333KT
238	C459	2203-005481	"C-CERAMIC,CHIP"	"47nF,10%,10V,X7R,TP,1005,-"	GRP155R71A473KA01E
239	C751	2203-005482	"C-CERAMIC,CHIP"	"100nF,10%,10V,X5R,TP,1005,-"	GRP155R61A104KA01E+A02
240	C456	2203-005503	"C-CERAMIC,CHIP"	"0.18nF,5%,25V,NP0,TP,1005"	GRP1556C1E181JD01E+C02
241	C457	2203-005503	"C-CERAMIC,CHIP"	"0.18nF,5%,25V,NP0,TP,1005"	GRP1556C1E181JD01E+C02
242	C124	2404-001020	"C-TA,CHIP"	"10uF,20%,10V,GP,TP,3216,3.2"	TAJA106M010R
243	C710	2404-001020	"C-TA,CHIP"	"10uF,20%,10V,GP,TP,3216,3.2"	TAJA106M010R
244	C117	2404-001020	"C-TA,CHIP"	"10uF,20%,10V,GP,TP,3216,3.2"	TAJA106M010R
245	C306	2404-001105	"C-TA,CHIP"	"10UF,20%,6.3V,GP,TP,2012"	TAJR106M006R

NO	Reference	SEC CODE	Part	Description	Vendor Part No.
246	C328	2404-001105	"C-TA,CHIP"	"10UF,20%,6.3V,GP,TP,2012"	TAJR106M006R
247	C535	2404-001105	"C-TA,CHIP"	"10UF,20%,6.3V,GP,TP,2012"	TAJR106M006R
248	C708	2404-001105	"C-TA,CHIP"	"10UF,20%,6.3V,GP,TP,2012"	TAJR106M006R
249	C750	2404-001105	"C-TA,CHIP"	"10UF,20%,6.3V,GP,TP,2012"	TAJR106M006R
250	C436	2404-001134	"C-TA,CHIP"	"100UF,20%,6.3V,LZ,TP,4028"	595D107X06R3B2T
251	C579	2404-001134	"C-TA,CHIP"	"100UF,20%,6.3V,LZ,TP,4028"	595D107X06R3B2T
252	C446	2404-001162	"C-TA,CHIP"	"47uF,20%,4V,LZ,TP,3216"	F950G476MAAJZTQ2
253	C249	2404-001276	"C-TA,CHIP"	"100UF,20%,6.3V,WT,TP,3528"	TPSB107M006R0400
254	U695	2503-001041	C-NETWORK	"100PFX4,10%,25V,-"	W2A43A101KAT2A
255	L599	2703-001284	INDUCTOR-SMD	"5.6nH,0.3nH,1.6x0.8x0.8mm"	HK1608-5N6S-T
256	L611	2703-001512	INDUCTOR-SMD	"27nH,5%,1.8x1.12x1.02mm"	0603CS-27NXJBC
257	L607	2703-001751	INDUCTOR-SMD	"3.9nH,0.3nH,1.0x0.5x0.5mm"	LL1005-FH3N9S
258	L600	2703-001943	INDUCTOR-SMD	"10nH,5%,1.0x0.5x0.5mm"	HK1005-10NJ-T
259	L408	2703-001986	INDUCTOR-SMD	"33nH,5%,1.0x0.5x0.5mm"	MLK1005S33NJT
260	L409	2703-001986	INDUCTOR-SMD	"33nH,5%,1.0x0.5x0.5mm"	MLK1005S33NJT
261	L608	2703-002165	INDUCTOR-SMD	"7.5nH,5%,1.6x1.12x1.02 mm"	0603CS-7N5XJBC
262	L613	2703-002269	INDUCTOR-SMD	"56NH,10%,1.0X0.5X0.5MM"	CIH05T56NJNC
263	L612	2703-002416	INDUCTOR-SMD	"3.9NH,5%,1608"	0603CS-3N9XJBW
264	X1	2801-004060	CRYSTAL-SMD	"0.032768MHZ,30PPM,-,12.5PF,90OHM,TR"	MS2V-TS
265	U100	2809-001254	OSCILLATOR-VCTCXO	"13MHZ,3PPM,10KOHM//10PF,TP,3V,2MA"	TOA1300VAI4KRA
266	F205	2904-001386	FILTER-SAW	"942.5MHZ,-,1.9DB,TP,925-960MHZ/2.6DB,-"	B7706
267	F204	2904-001387	FILTER-SAW	"1.8425GHZ,-,1.1DB,TP,1805-1880MHZ/3.0DB,-"	B7716
268	U203	2909-001146	FILTER-DUPLEXER	"942.5MHZ,897.5MHZ,1.4/1.5DB,TP,-,-"	LMG002S-5008C
269	L602	3301-001120	CORE-FERRITE BEAD	"AB,30ohm,2x1.25x0.85mm,3000mA,TP"	BLM21PG300SN1D
270	L605	3301-001362	CORE-FERRITE BEAD	"AB,1kohm,1x0.5x0.5mm,50mA,TP,"	BLM15AG102PN1D
271	CN1	3705-001226	CONNECTOR-COAXIAL	"MCX,JACK,75MOHM,50OHM,0.45DB"	MHC-188
272	J402	3709-001088	CONNECTOR-CARD EDGE	"6P,2.54mm,SMD-S,AU"	2-1483271-2
273	M1	3710-001105	CONNECTOR-SOCKET	"2P,1R,1.27mm,SMD-S,AU"	24-8005-002-100-867
274	J403	3710-001595	CONNECTOR-SOCKET	"18P,1R,0.5mm,SMD-A,AUF"	1004-0018-304
275	U400	3722-001587	JACK-PHONE	"6P,2.6PI,AG,BLK,-"	02-828D0-53BKA
276	BAT1	4302-001119	BATTERY-LI(2ND)	"3V,0.1MAH,-,-,3.1V,-"	RB414II06N
277		GH41-00276A	PCB-SGHR210S	"SGH-R210S,MR500,6L,-,0.8T,118X155MM,-,-,-"	SGH-R210S/220S
278		GH61-00026A	SPRING ETC-	"SGH-N620,BE-CU,-,-,-,-,GLD,-,-"	SPRING ETC-ANT.CONTACT
279		GH96-00970A	ELA ETC-SGHR210S	"SGH-R210S,SAMSUNG,SEA,-,-,-,-"	ELA ETC-SGHR210S
280		GH07-00075B	LCD-SGHR220 LCD	"UG-12B98-FLHTX-A,SGH-R220,128X64,"	UG-12B98-FLHTX-A

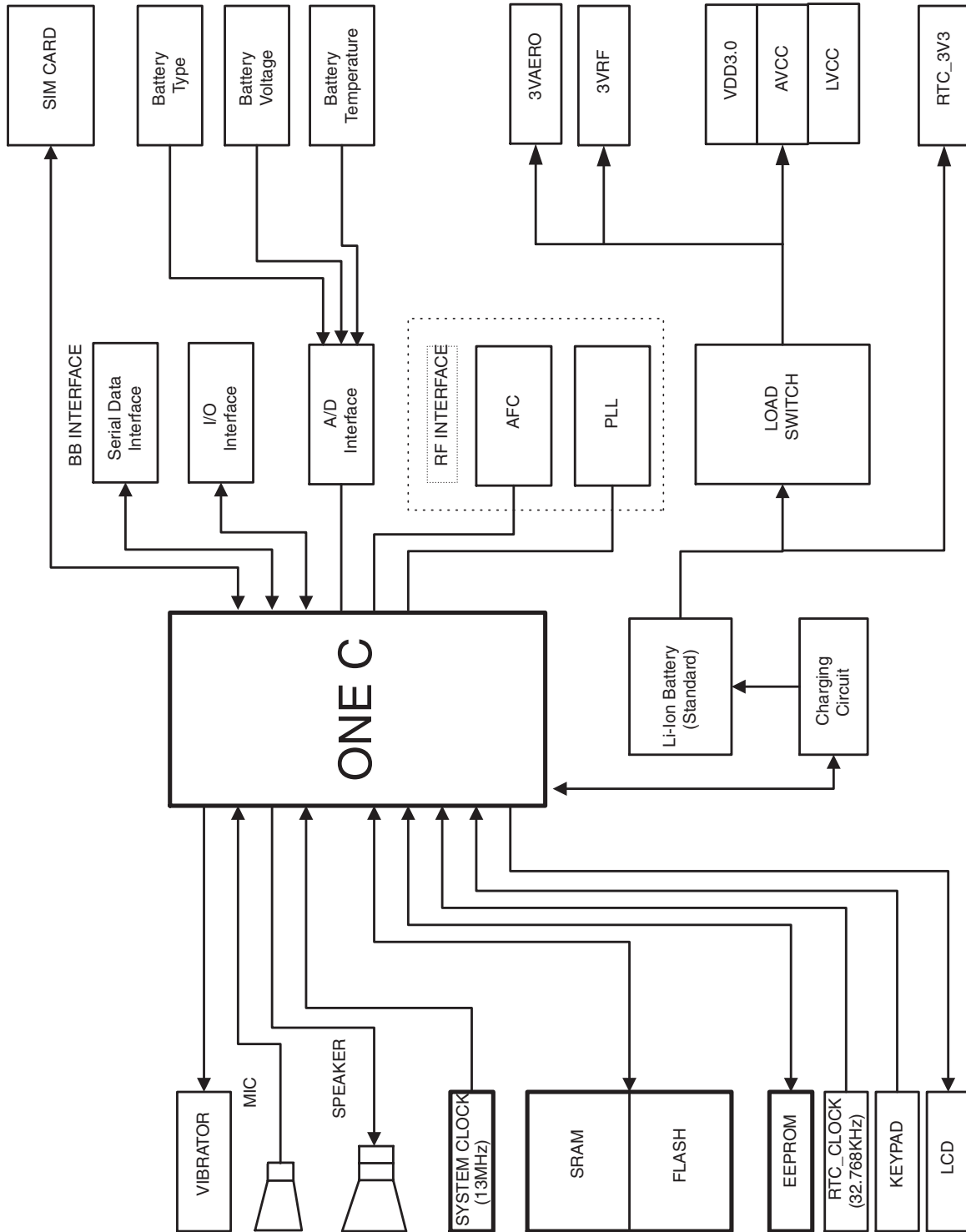
<b>NO</b>	<b>Refer ence</b>	<b>SEC CODE</b>	<b>Part</b>	<b>Description</b>	<b>Vendor Part No.</b>
281		GH72-02984B	PPR-SGHR210 METAL DOME	"SGH-R210,PET+SUS301,WHT, 51.38X39.52"	SGHR210 METAL DOME
282		GH74-02030A	MPR-ANT CONTACT SPONGE	"SGH-R210,PORON SPONGE, 5X4XT0.7,BLK,"	SGH-R210 ANT CONTACT SPON

### 3-2 Main Parts List Bottom

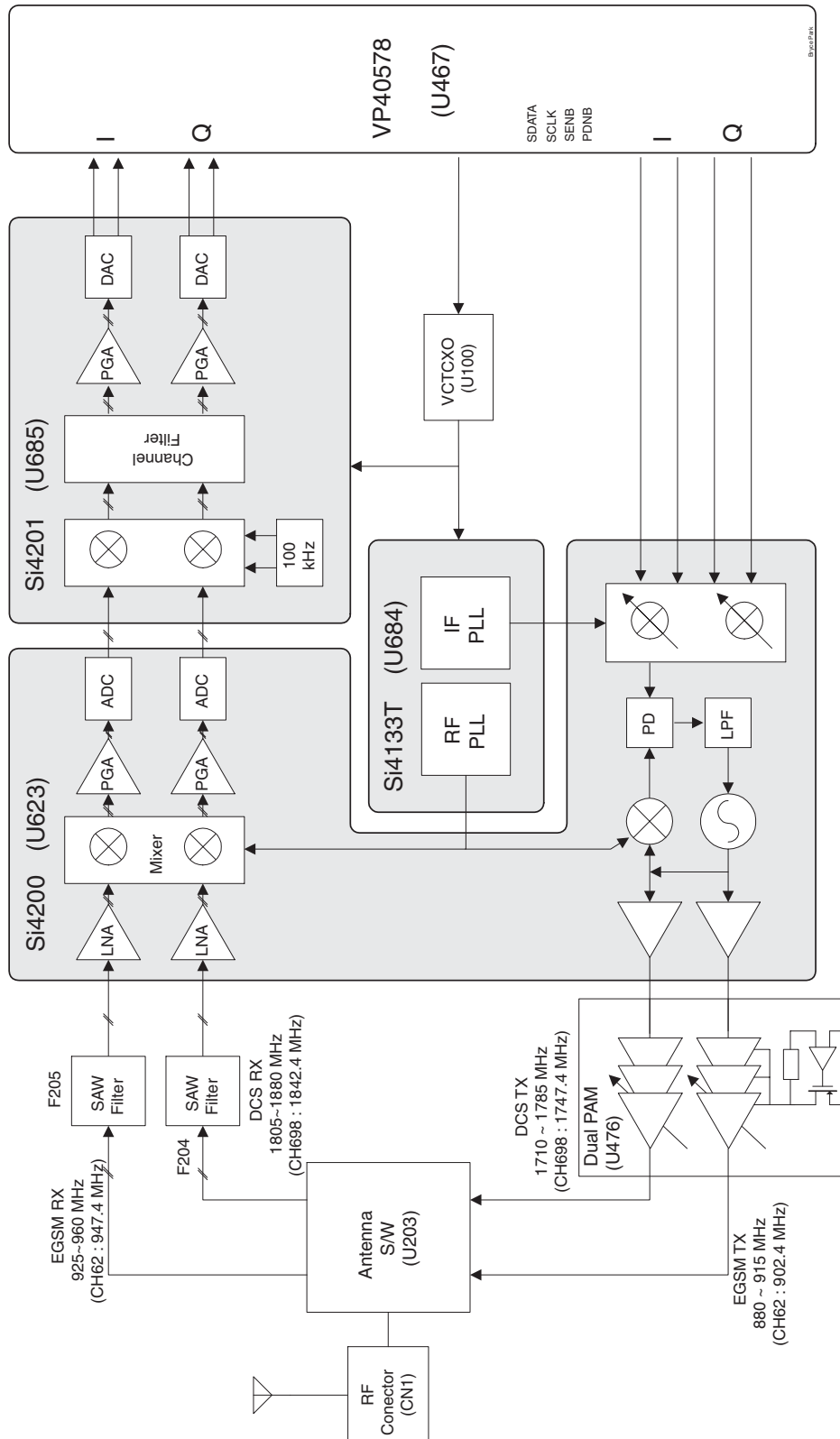
NO	Reference	SEC CODE	Part	Description	Vendor Part No.
1	BUZ300	3002-001098	BUZZER-MAGNETIC	"94dB,3V,150mA,2700Hz,TP"	BRT-03S
2	C308	2203-005061	"C-CERAMIC,CHIP"	"100nF,+80-20%,16V,Y5V,TP,1005"	GRP155F51C104ZA01E
3	C404	2203-005444	"C-CERAMIC,CHIP"	"0.003nF,0.1pF,50V,NP0,TP,1005"	CM05CG3R0B50AH
4	C411	2203-005065	"C-CERAMIC,CHIP"	"1000nF,+80-20%,10V,Y5V,TP,1608"	CL10F105ZPNC
5	C422	2203-005065	"C-CERAMIC,CHIP"	"1000nF,+80-20%,10V,Y5V,TP,1608"	CL10F105ZPNC
6	C716	2203-001017	"C-CERAMIC,CHIP"	"0.004nF,0.25pF,50V,NP0,TP,1005"	GRP1555C1H4R0CZ01E
7	C723	2203-000854	"C-CERAMIC,CHIP"	"0.039nF,5%,50V,NP0,TP,1005"	CM05CG390J50AH
8	C724	2203-000854	"C-CERAMIC,CHIP"	"0.039nF,5%,50V,NP0,TP,1005"	CM05CG390J50AH
9	C759	2203-001017	"C-CERAMIC,CHIP"	"0.004nF,0.25pF,50V,NP0,TP,1005"	GRP1555C1H4R0CZ01E
10	C760	2203-001017	"C-CERAMIC,CHIP"	"0.004nF,0.25pF,50V,NP0,TP,1005"	GRP1555C1H4R0CZ01E
11	C778	2503-001043	C-NETWORK	"1UFX2,20%,10V,2012"	CAD12X5R105M10AT
12	D302	0407-001002	DIODE-ARRAY	"DAN222,80V,300mA,CA2-3,EM3,TP"	DAN222
13	D411	1405-001093	VARISTOR	"14V,20A,1x0.5x0.6mm,TP"	AVL 14K 02 200
14	D415	1405-001093	VARISTOR	"14V,20A,1x0.5x0.6mm,TP"	AVL 14K 02 200
15	D444	0601-001094	LED	"CHIP,Y-GRN,0.8x1.1mm,570nm"	SSCYG101TS
16	D445	0601-001094	LED	"CHIP,Y-GRN,0.8x1.1mm,570nm"	SSCYG101TS
17	D446	0601-001094	LED	"CHIP,Y-GRN,0.8x1.1mm,570nm"	SSCYG101TS
18	D447	0601-001094	LED	"CHIP,Y-GRN,0.8x1.1mm,570nm"	SSCYG101TS
19	D448	0601-001094	LED	"CHIP,Y-GRN,0.8x1.1mm,570nm"	SSCYG101TS
20	D449	0601-001094	LED	"CHIP,Y-GRN,0.8x1.1mm,570nm"	SSCYG101TS
21	D450	0601-001094	LED	"CHIP,Y-GRN,0.8x1.1mm,570nm"	SSCYG101TS
22	D451	0601-001094	LED	"CHIP,Y-GRN,0.8x1.1mm,570nm"	SSCYG101TS
23	LED1	0601-001402	LED	"CHIP,RED/Y-GRN,1.2x1.5mm,660/570nm"	CL-165HR/YG-D
24	LED2	0601-001540	LED	"CHIP,BLUE,1.1X0.8MM,485NM"	SLS-NNBD102TS
25	Q300	0501-002011	TR-SMALL SIGNAL	"2SD2114K,NPN,200mW,SOT-23,TP,8"	2SD2114KT146V
26	R304	2007-000162	R-CHIP	"100Kohm,5%,1/16W,DA,TP,1005"	RC1005J104CS
27	R305	2007-000143	R-CHIP	"4.7Kohm,5%,1/16W,DA,TP,1005"	RC1005J472CS
28	R422	2007-000162	R-CHIP	"100Kohm,5%,1/16W,DA,TP,1005"	RC1005J104CS
29	R423	2007-000162	R-CHIP	"100Kohm,5%,1/16W,DA,TP,1005"	RC1005J104CS
30	R424	2007-000148	R-CHIP	"10Kohm,5%,1/16W,DA,TP,1005"	ERJ2GEJ103X
31	R427	2007-000148	R-CHIP	"10Kohm,5%,1/16W,DA,TP,1005"	ERJ2GEJ103X
32	R782	2007-000172	R-CHIP	"10ohm,5%,1/16W,DA,TP,1005"	RC1005J100CS
33	R783	2007-000172	R-CHIP	"10ohm,5%,1/16W,DA,TP,1005"	RC1005J100CS
34	R784	2007-000172	R-CHIP	"10ohm,5%,1/16W,DA,TP,1005"	RC1005J100CS
35	R785	2007-000172	R-CHIP	"10ohm,5%,1/16W,DA,TP,1005"	RC1005J100CS
36	R786	2007-000139	R-CHIP	"220ohm,5%,1/16W,DA,TP,1005"	ERJ2GEJ221X
37	R787	2007-000139	R-CHIP	"220ohm,5%,1/16W,DA,TP,1005"	ERJ2GEJ221X
38	R788	2007-000139	R-CHIP	"220ohm,5%,1/16W,DA,TP,1005"	ERJ2GEJ221X
39	R789	2007-000139	R-CHIP	"220ohm,5%,1/16W,DA,TP,1005"	ERJ2GEJ221X
40	R790	2007-000139	R-CHIP	"220ohm,5%,1/16W,DA,TP,1005"	ERJ2GEJ221X
41	R791	2007-000139	R-CHIP	"220ohm,5%,1/16W,DA,TP,1005"	ERJ2GEJ221X

# 4. Block Diagrams

## 4-1 Main Baseband



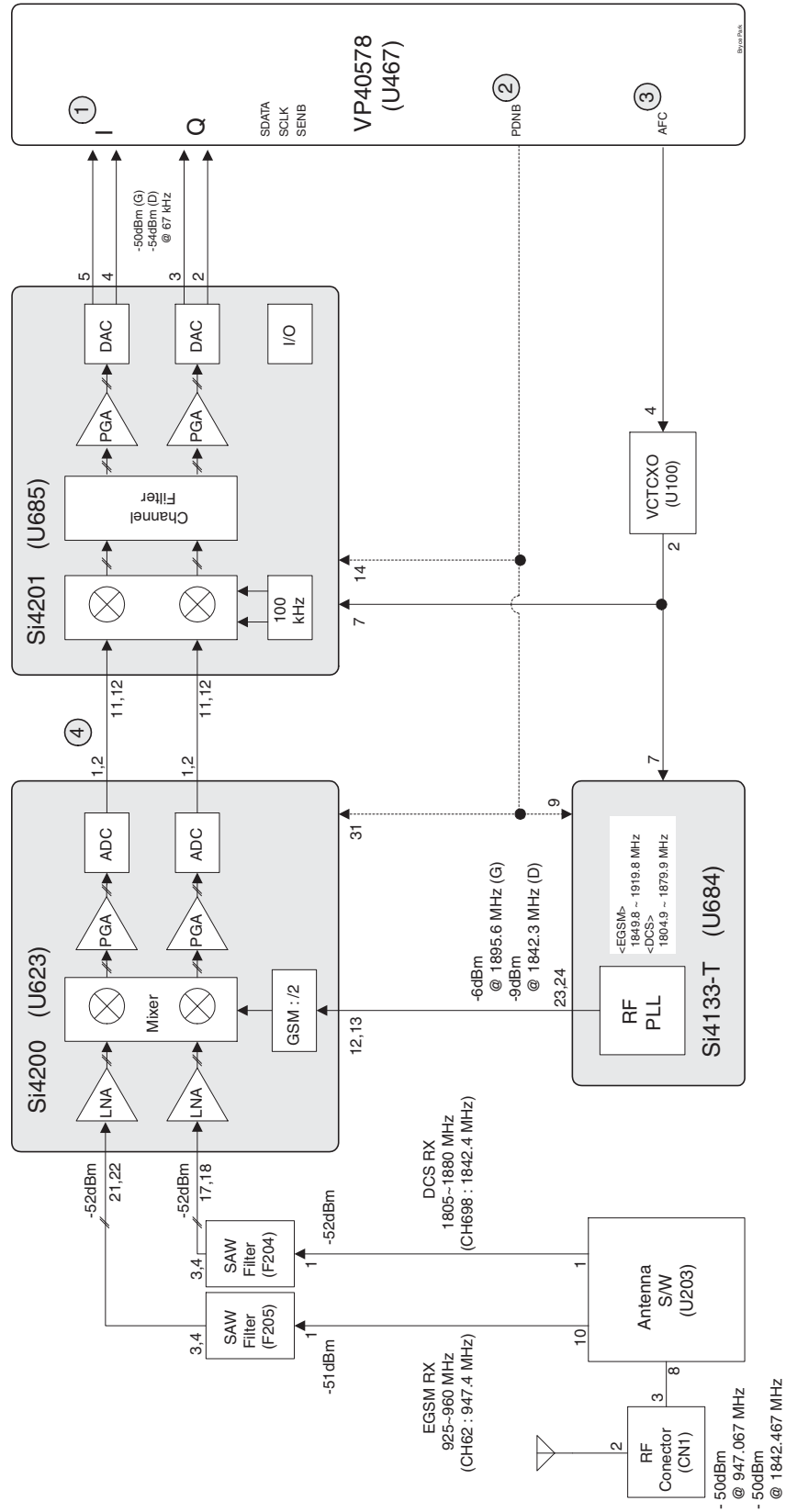
## 4-2 Main RF





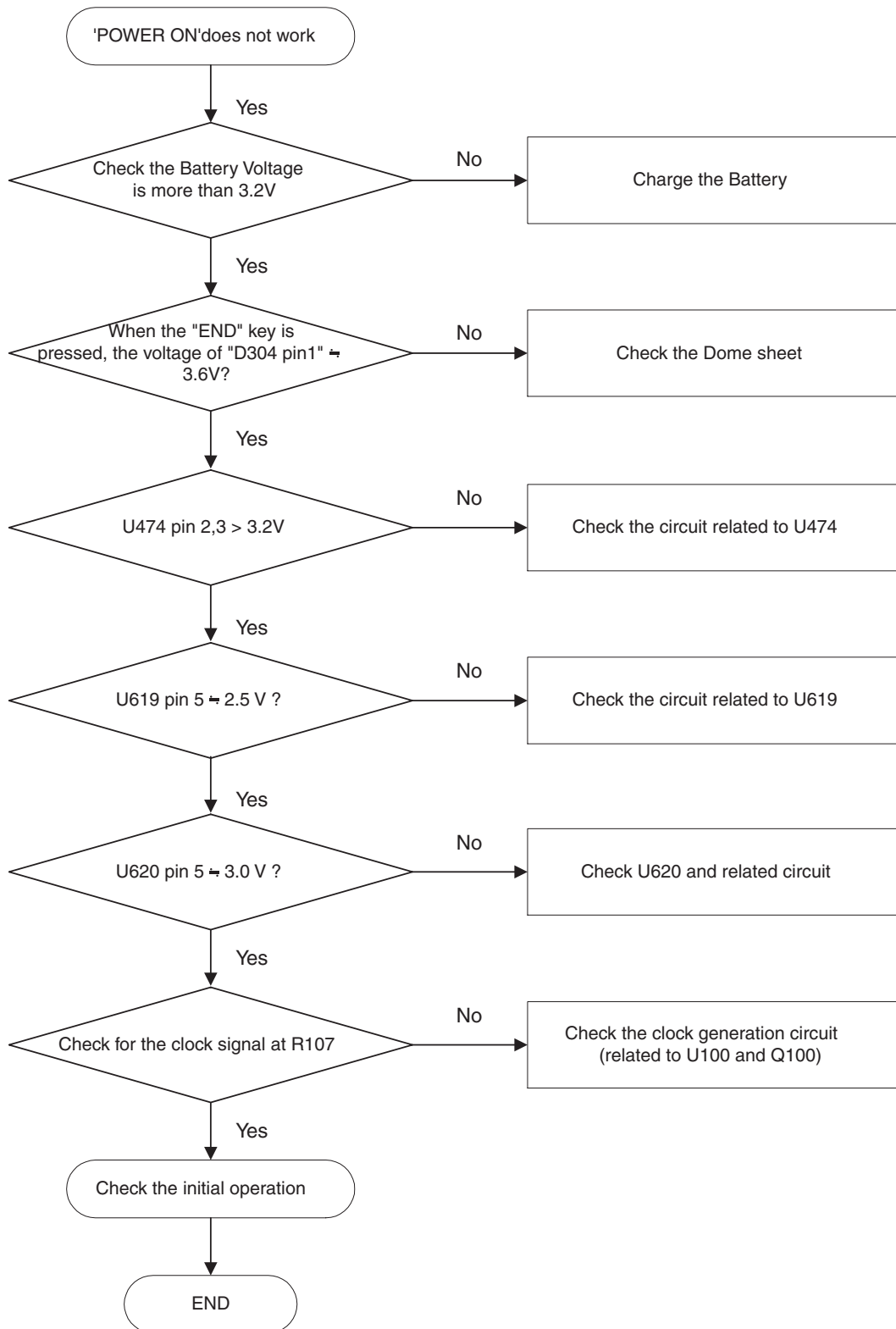


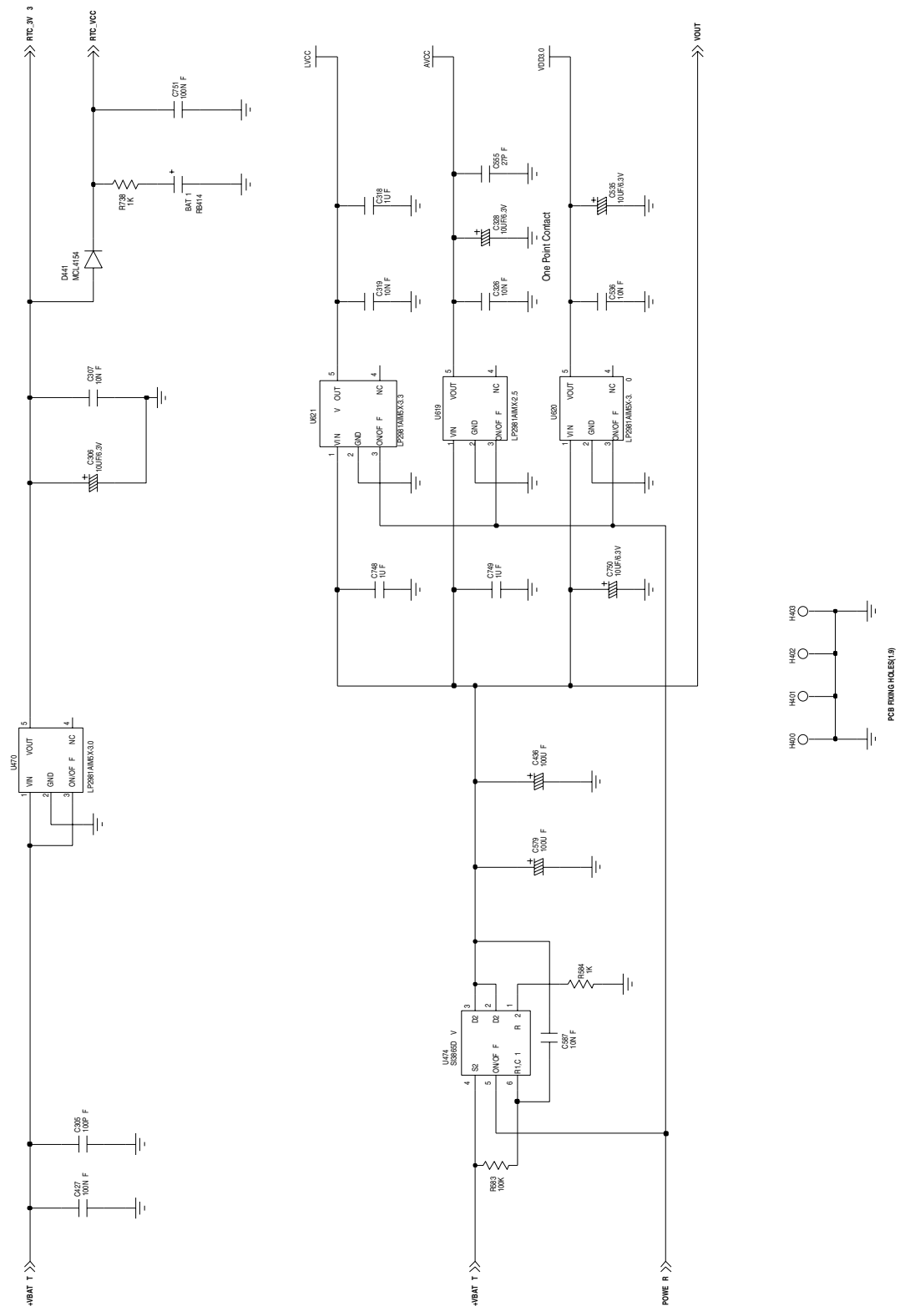
## 4-2-2 RF Receive Part



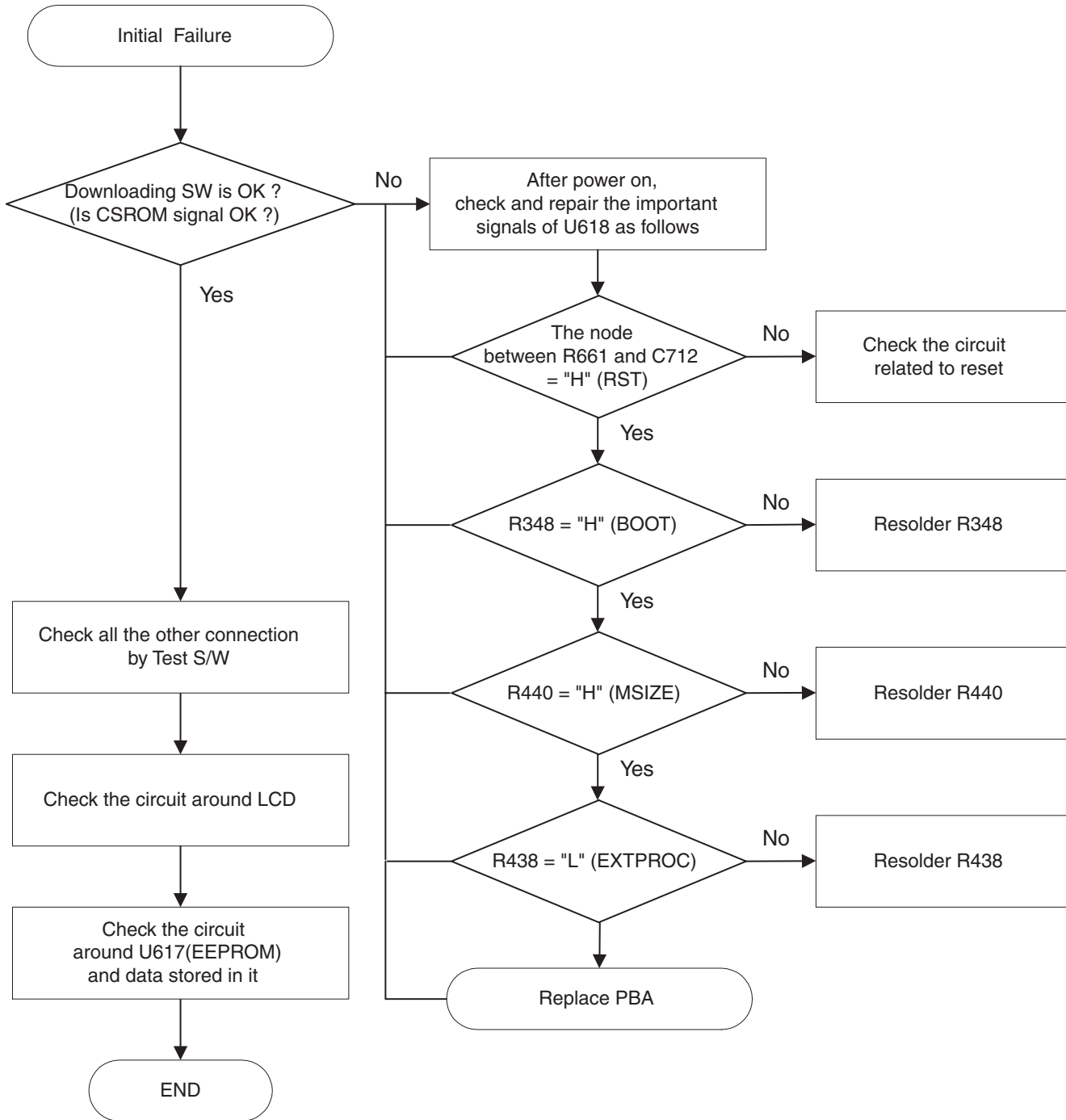
# 5. Flow Chart of Troubleshooting and Circuit Diagrams

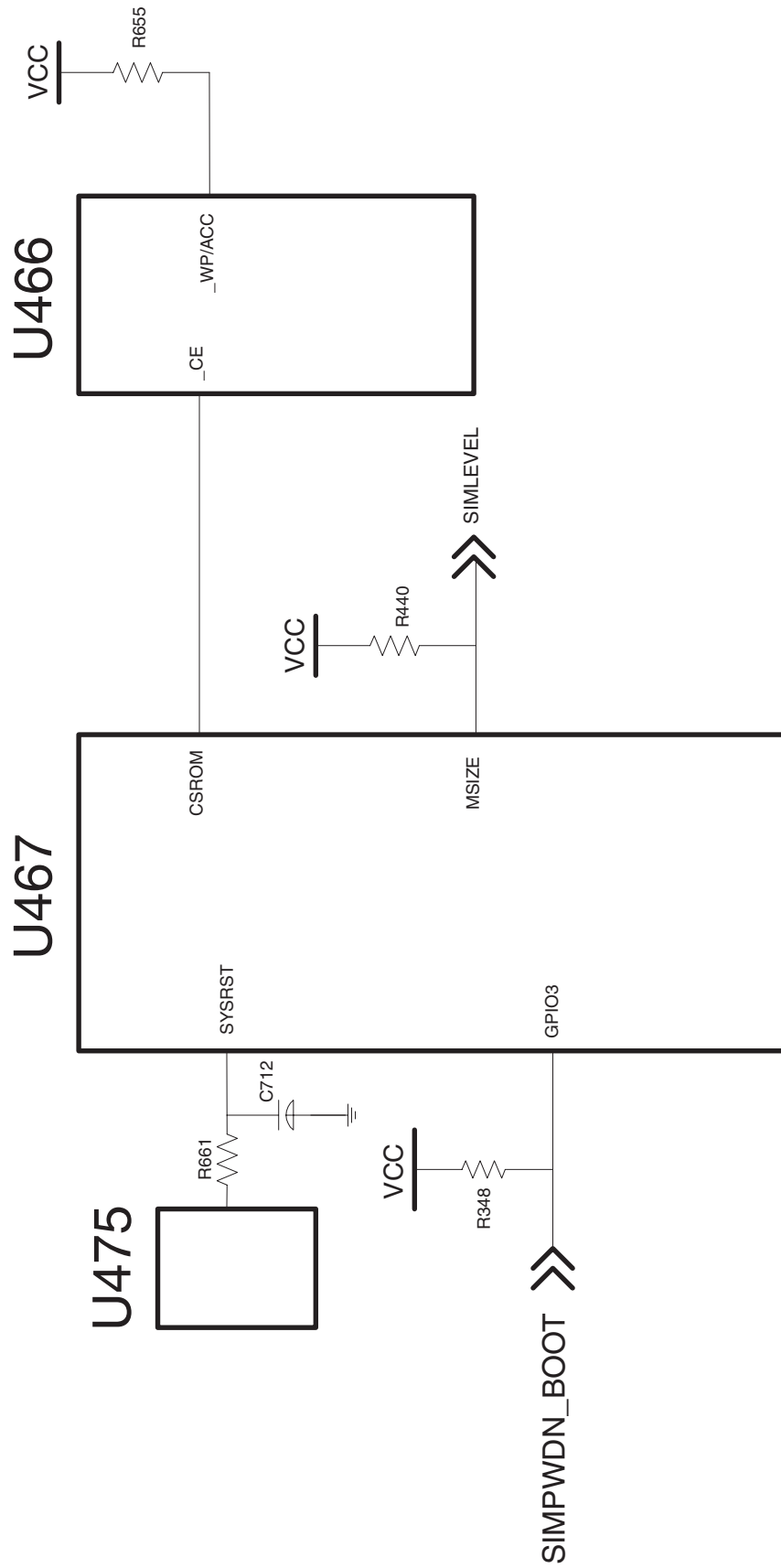
## 5-1 Power ON



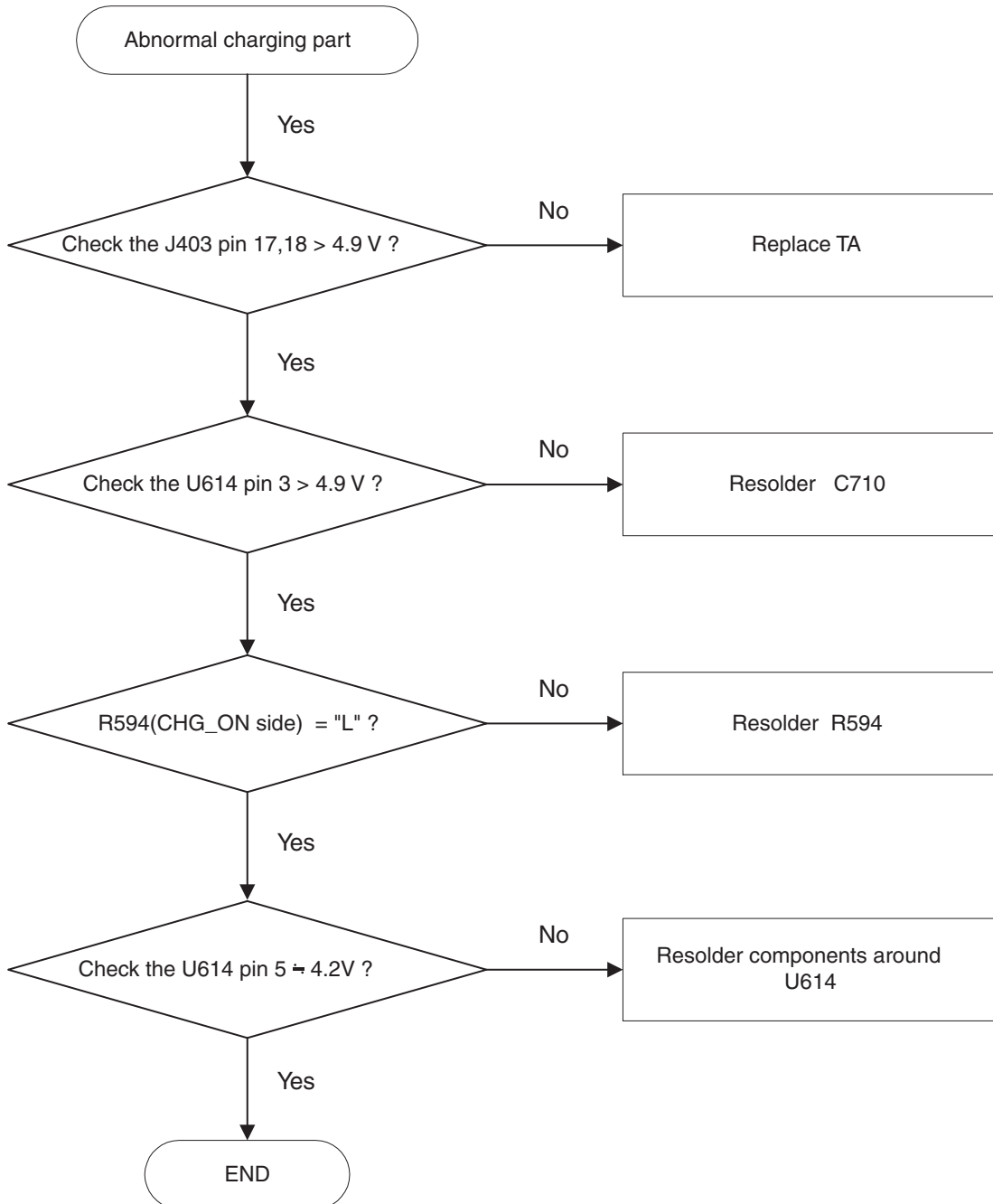


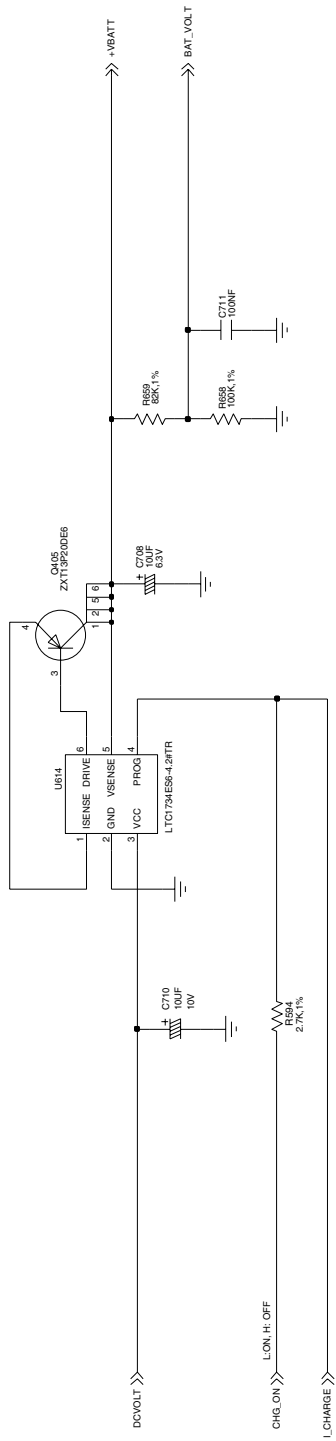
## 5-2 Initial



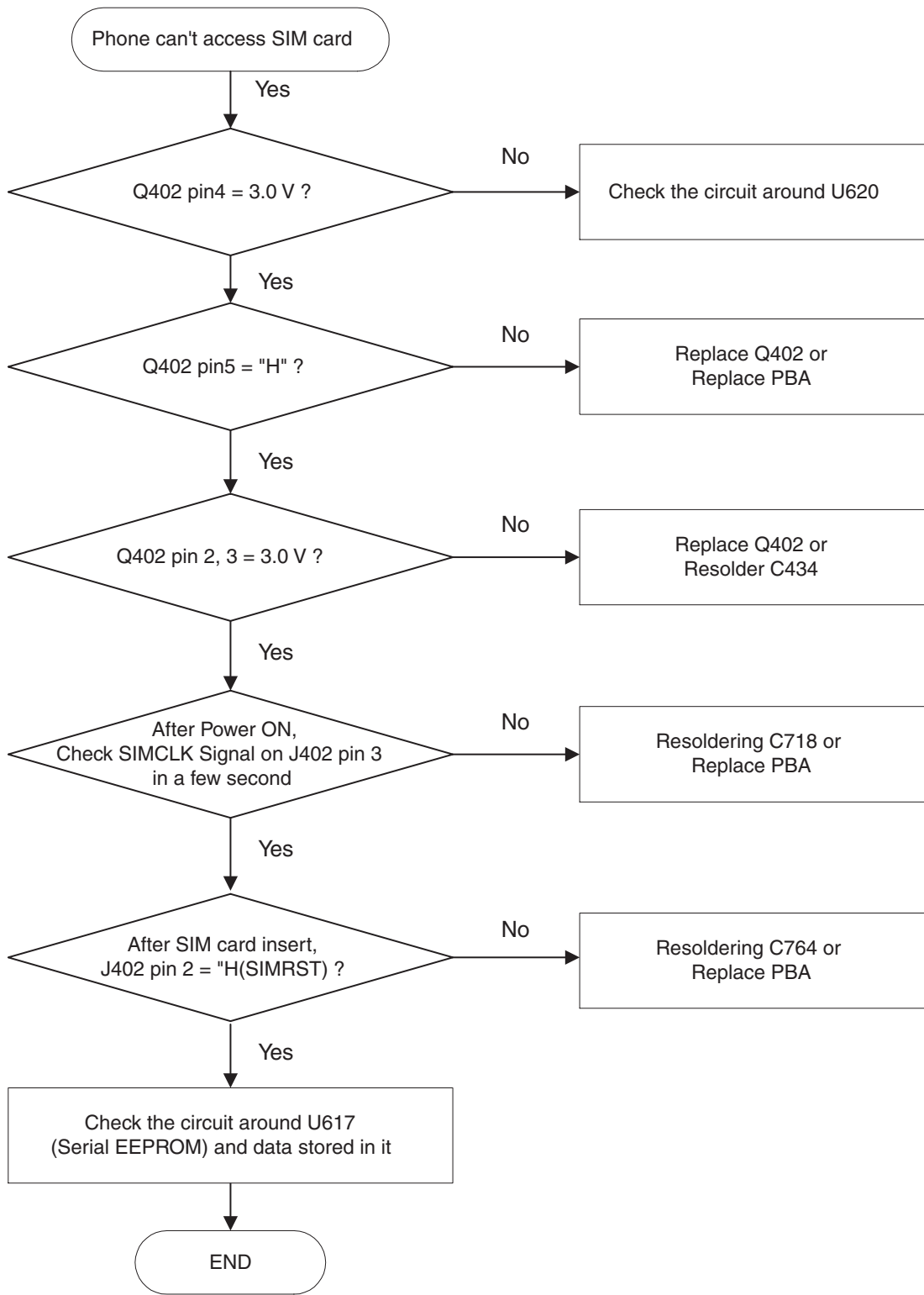


## 5-3 Charging Part

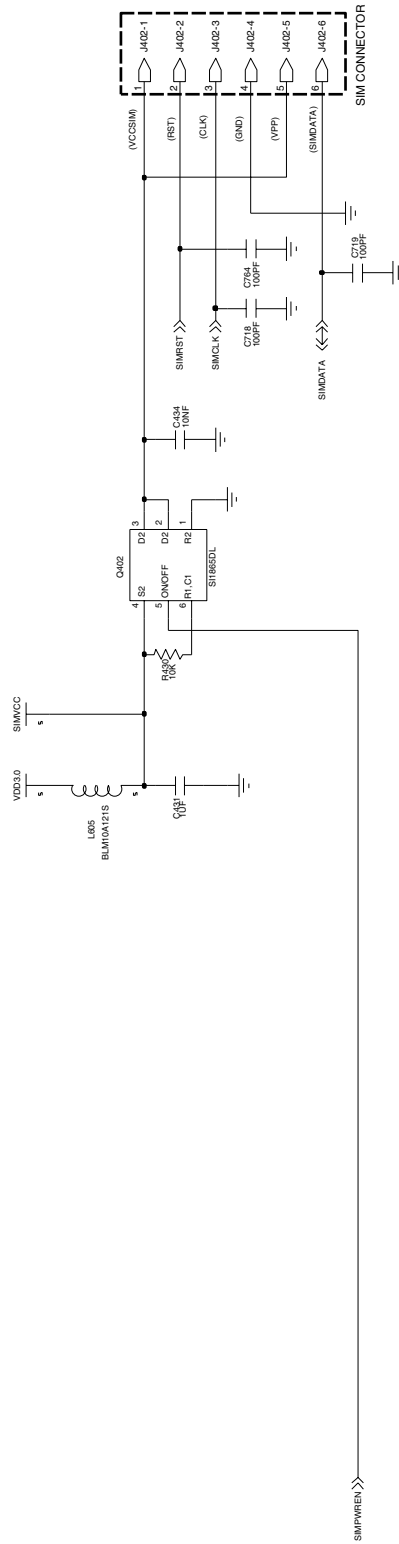




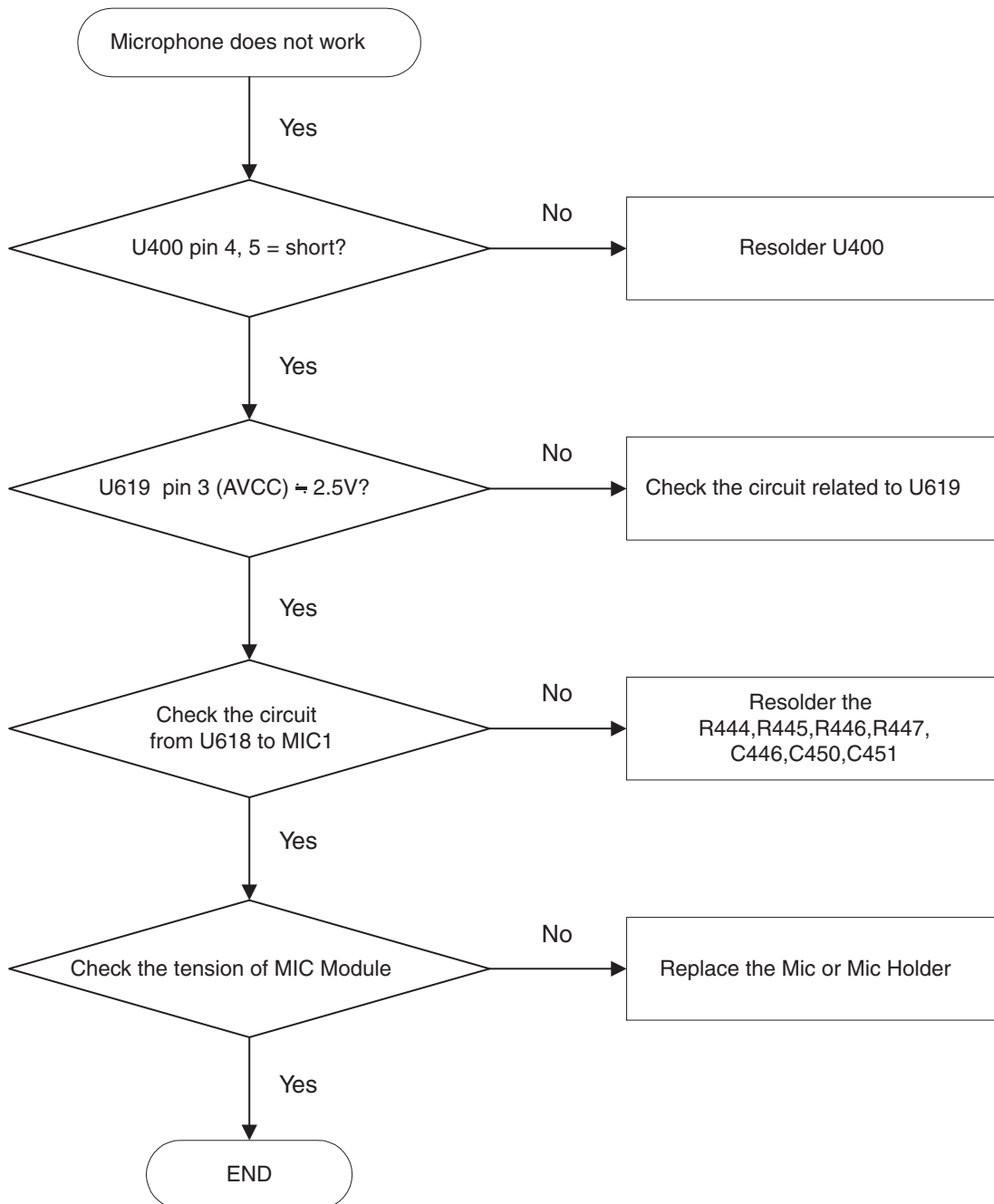
## 5-4 Sim Part

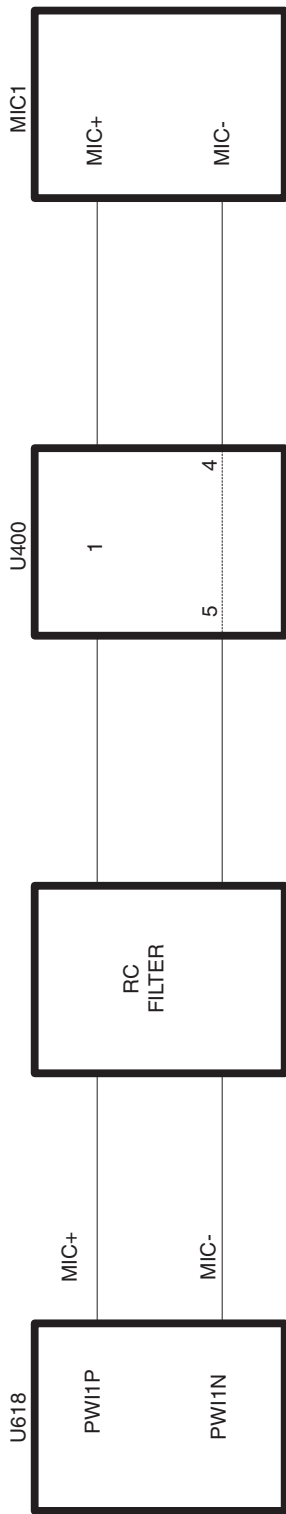




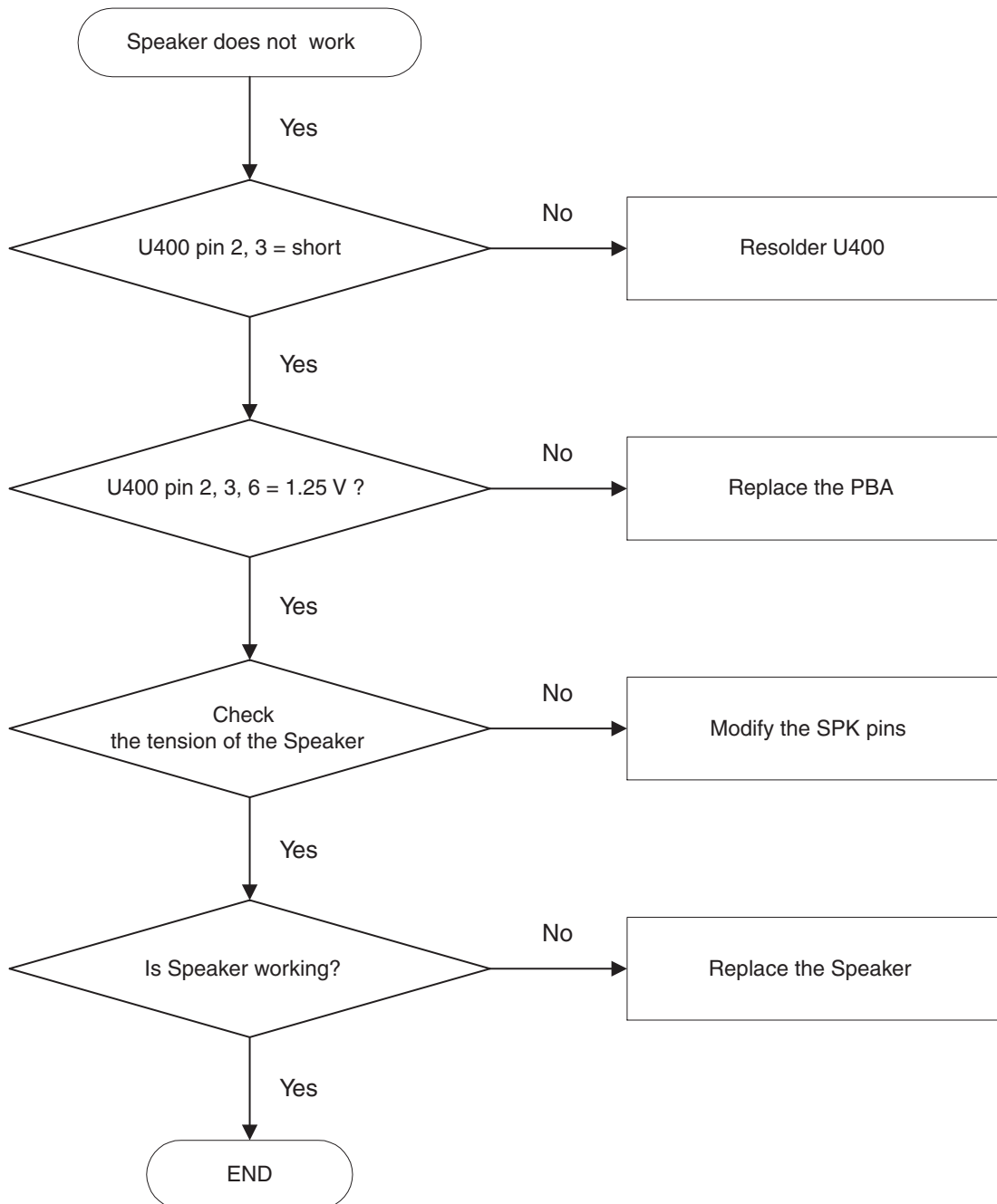


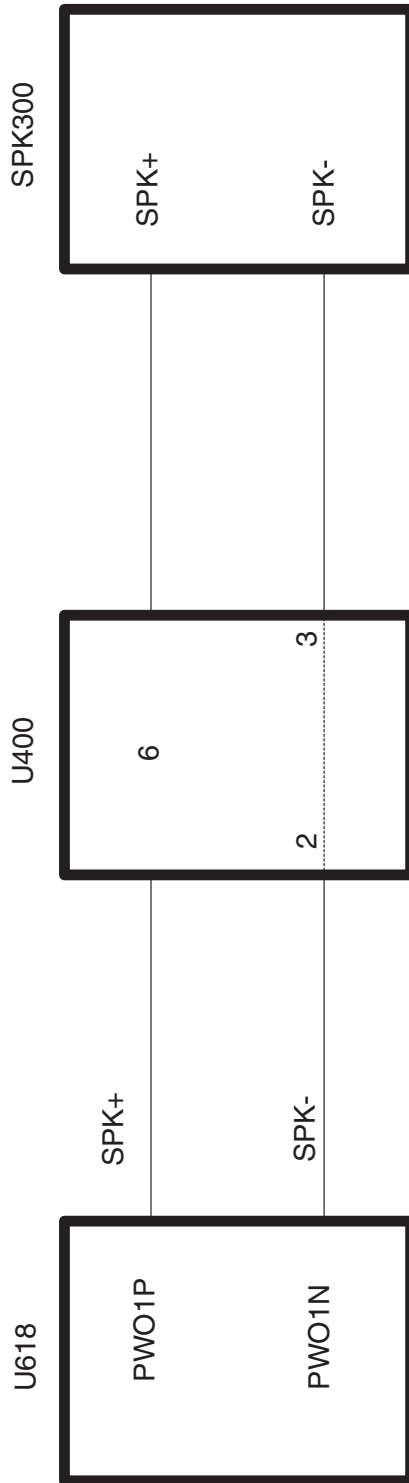
## 5-5 Microphone Part



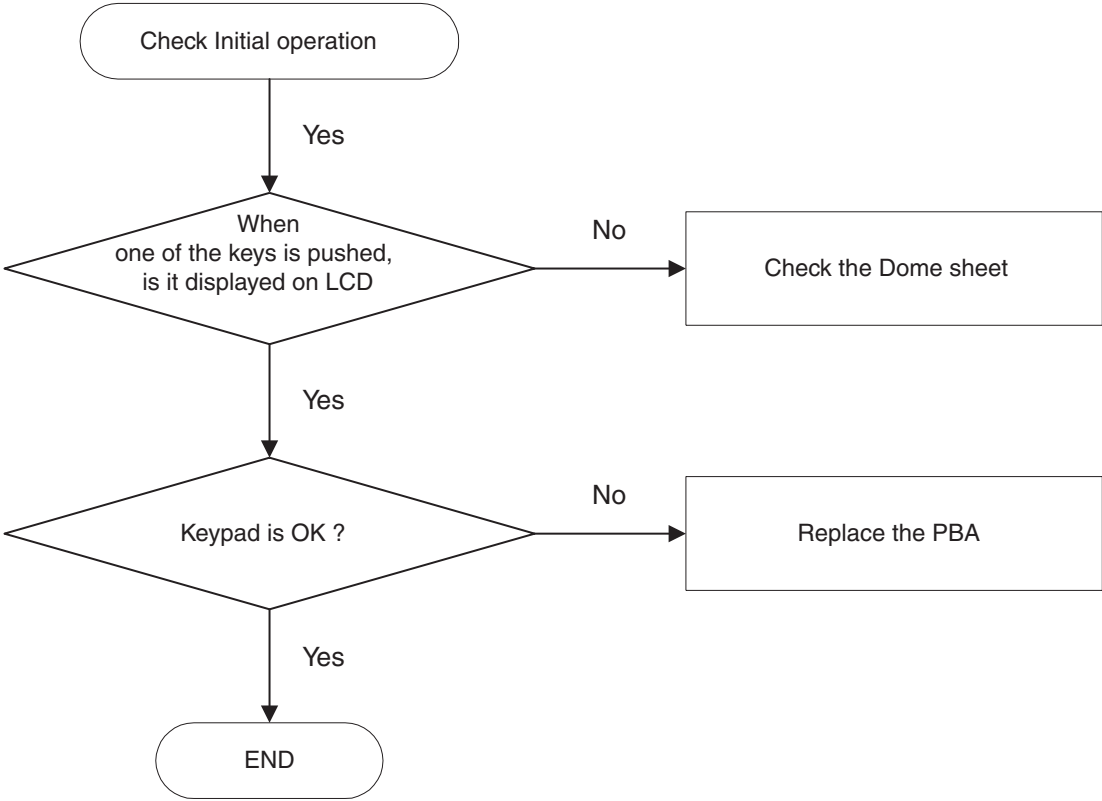


## 5-6 Speaker Part

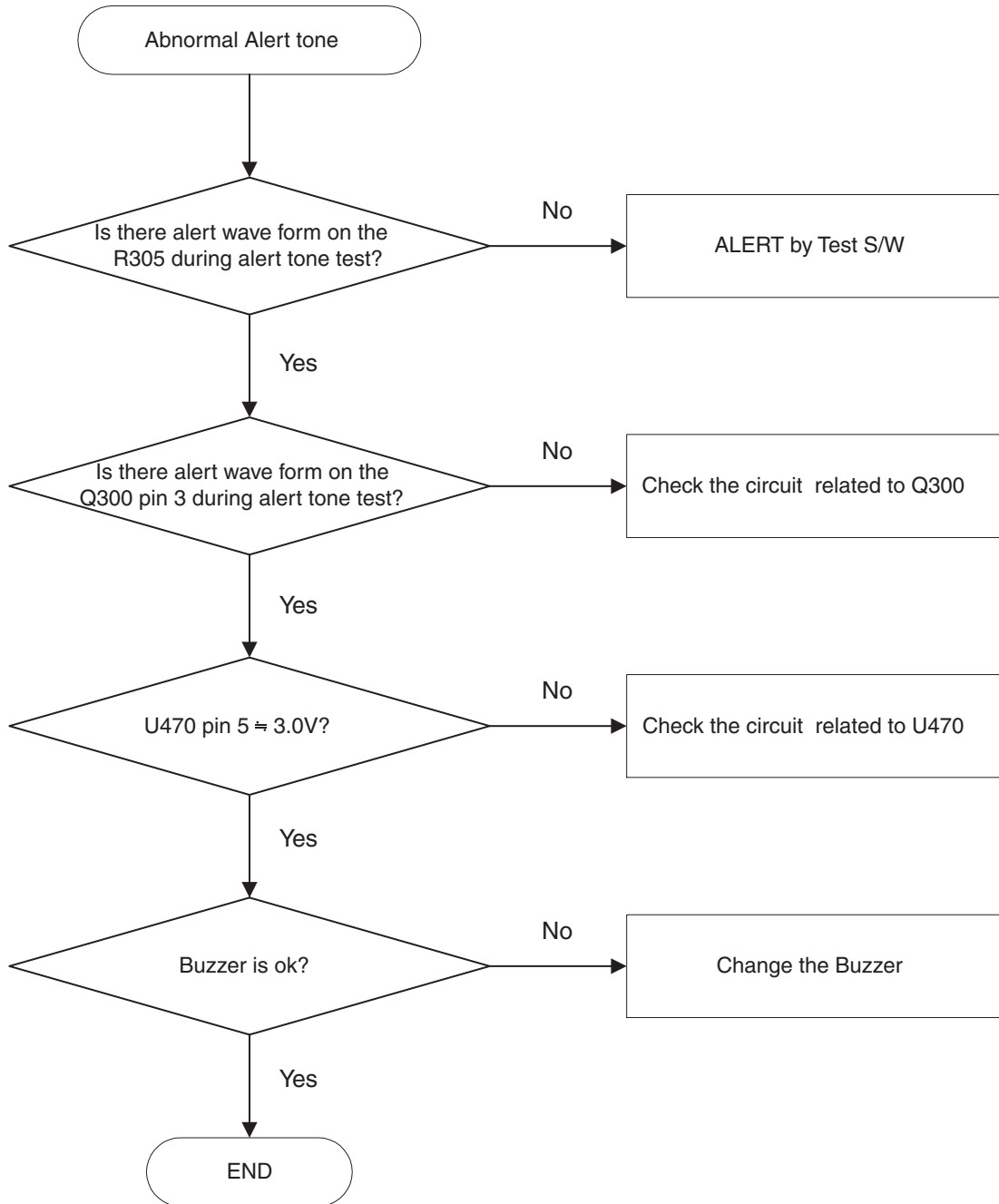


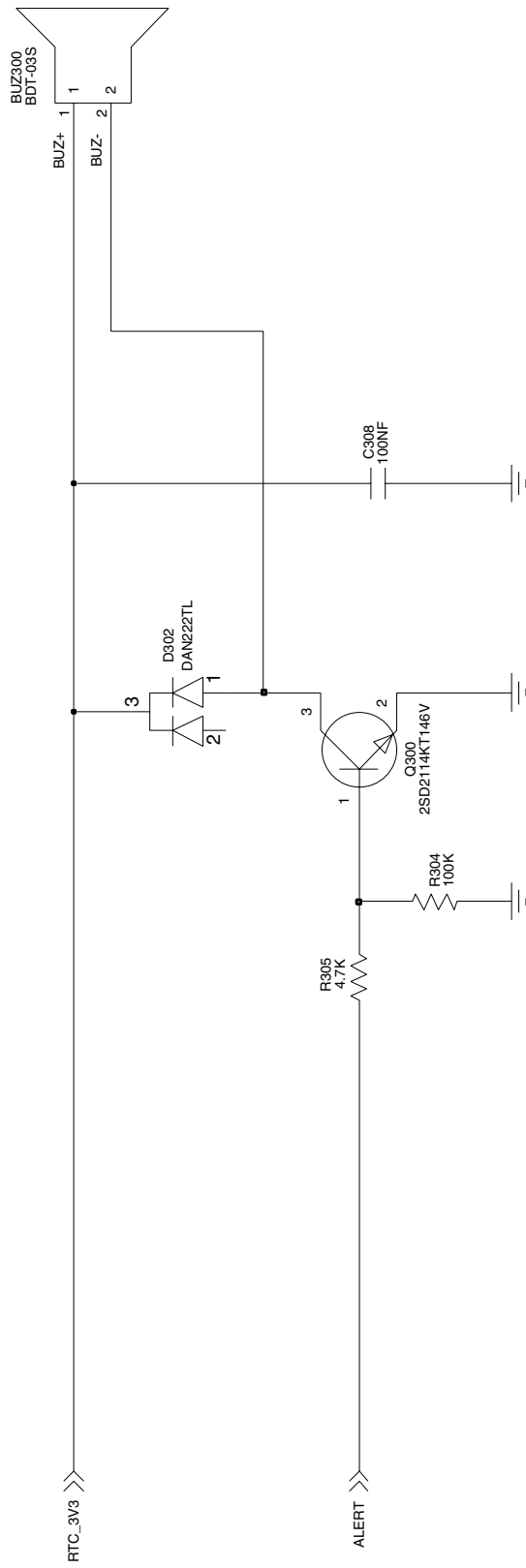


# 5-7 Key Data Input



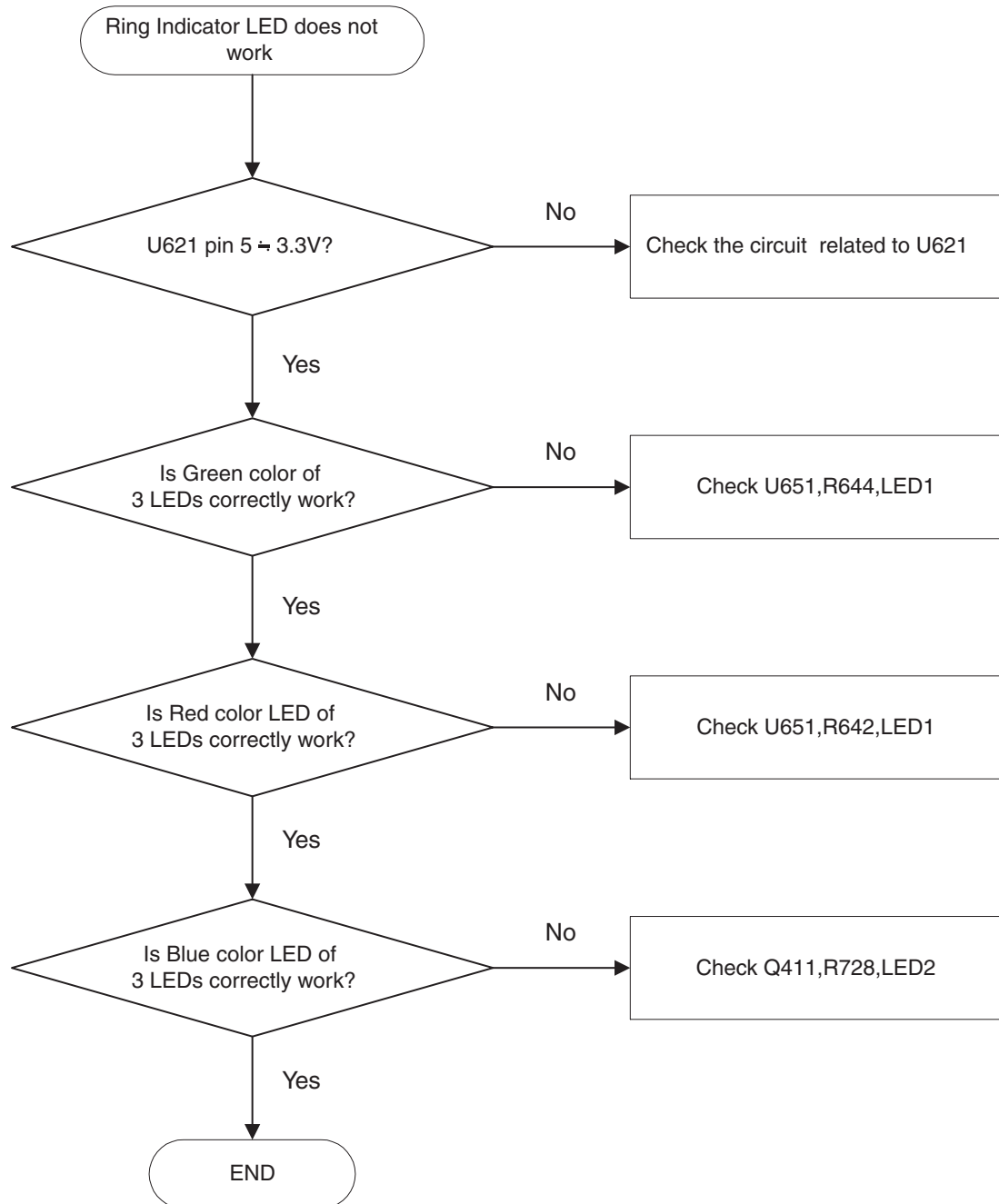
## 5-8 Alert Tone

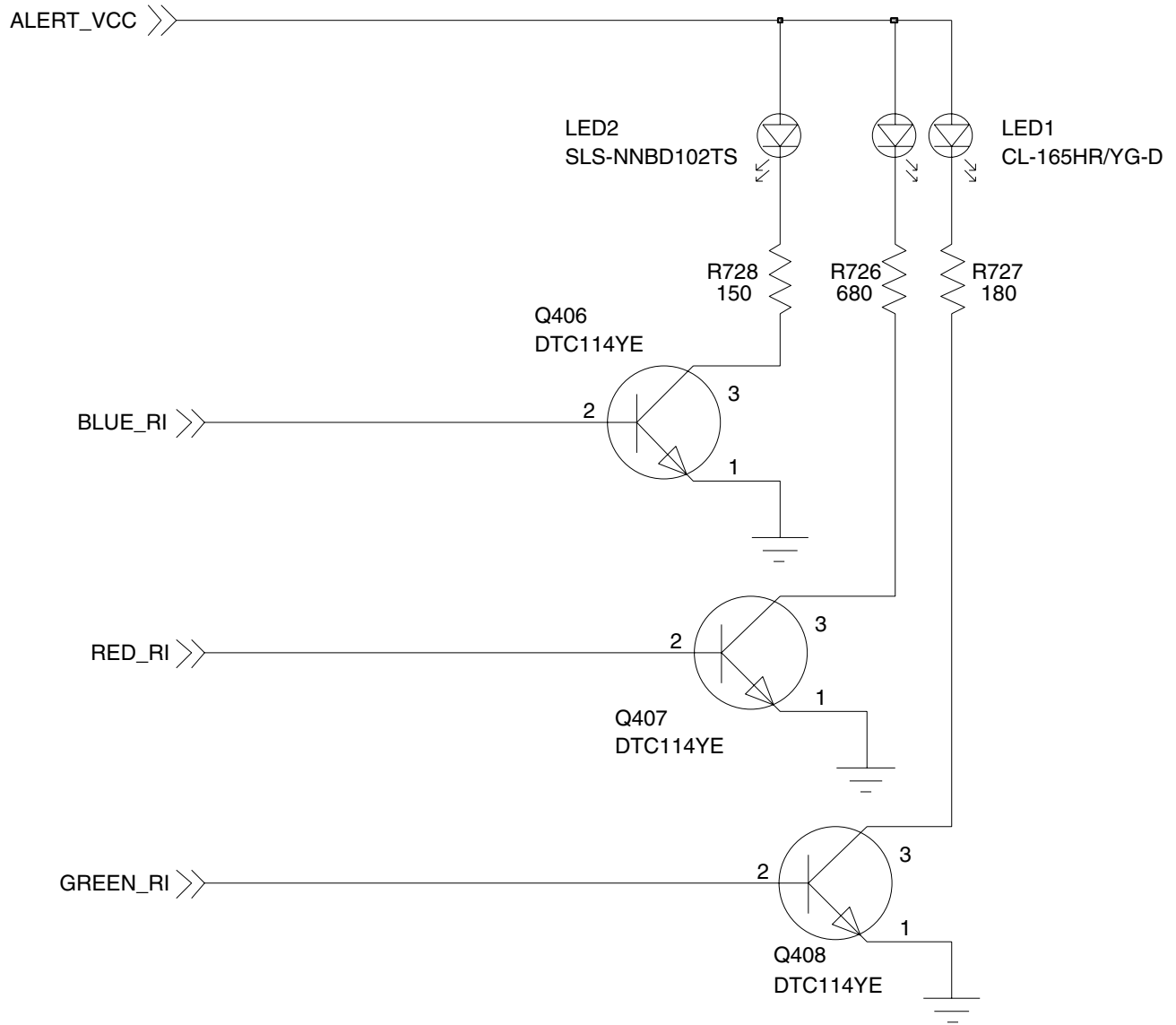




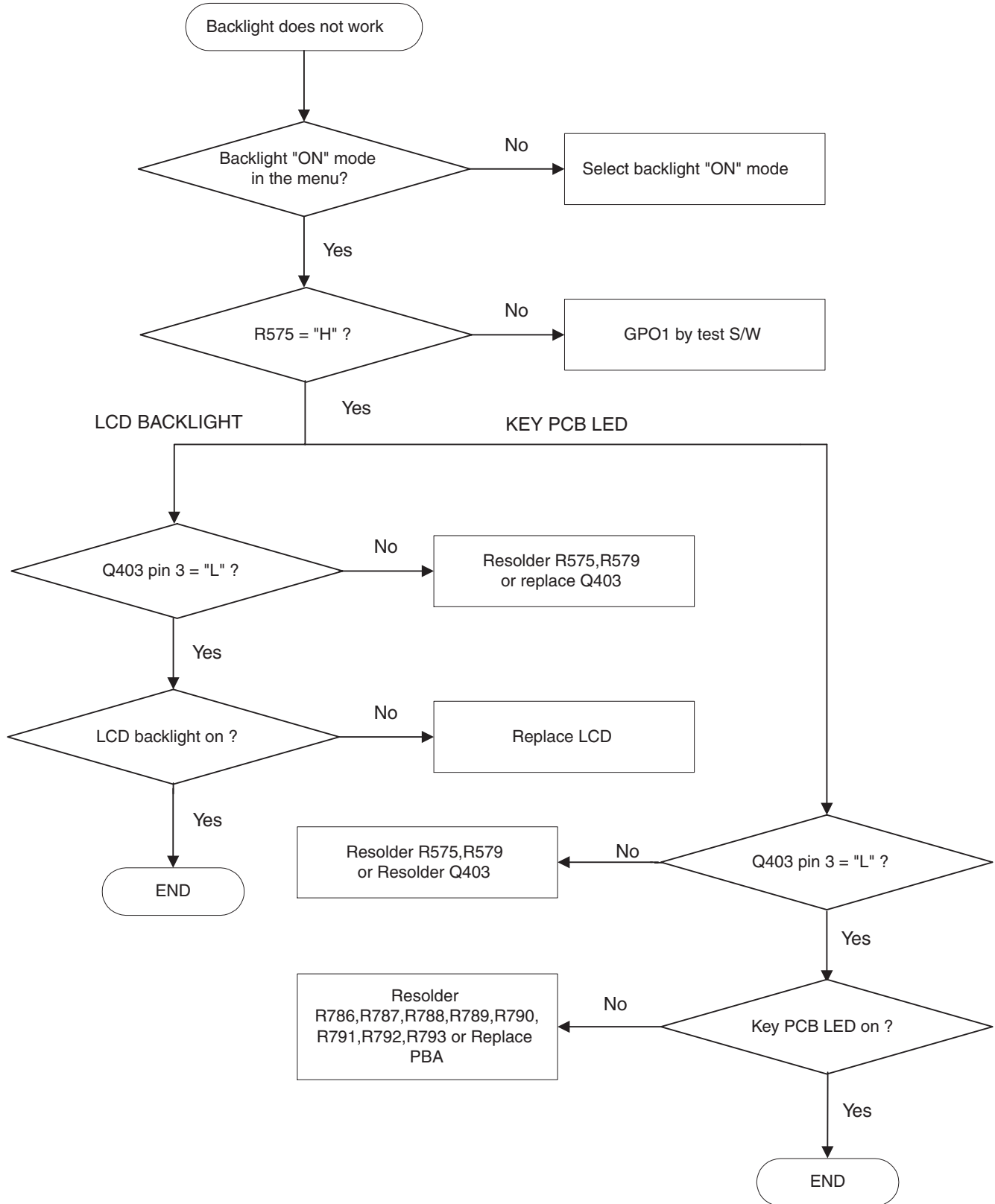


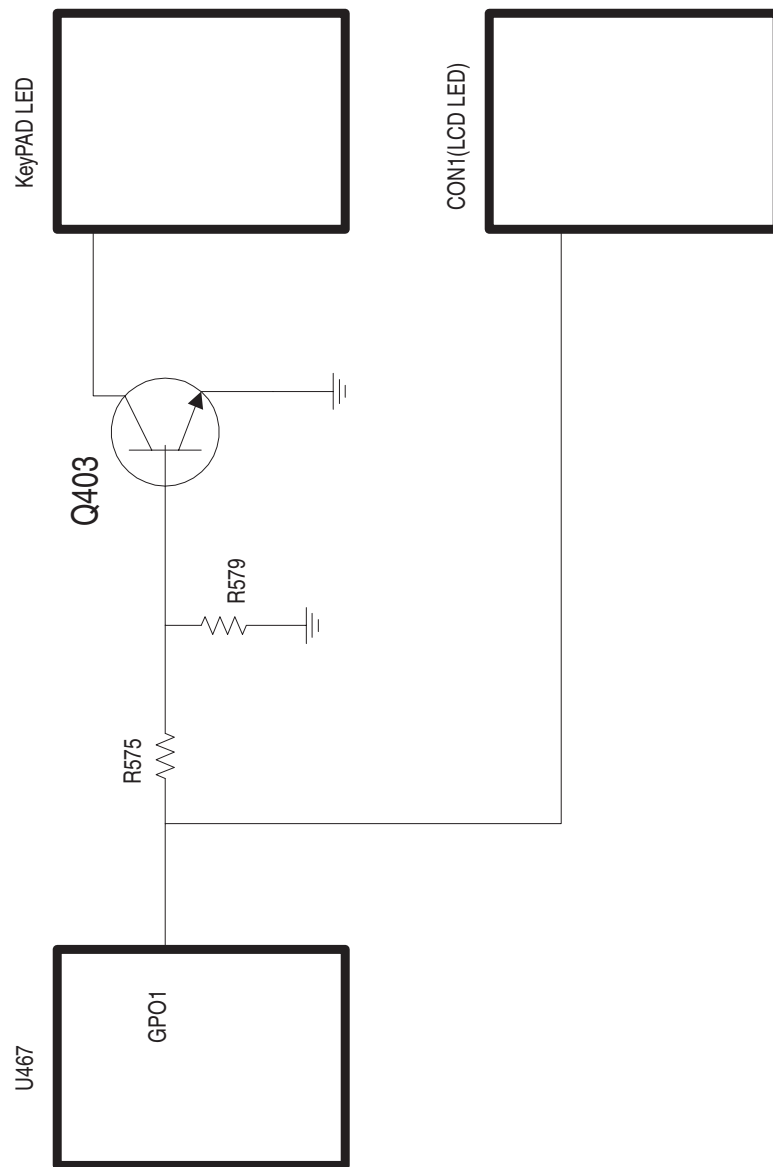
## 5-9 Ring Indicator



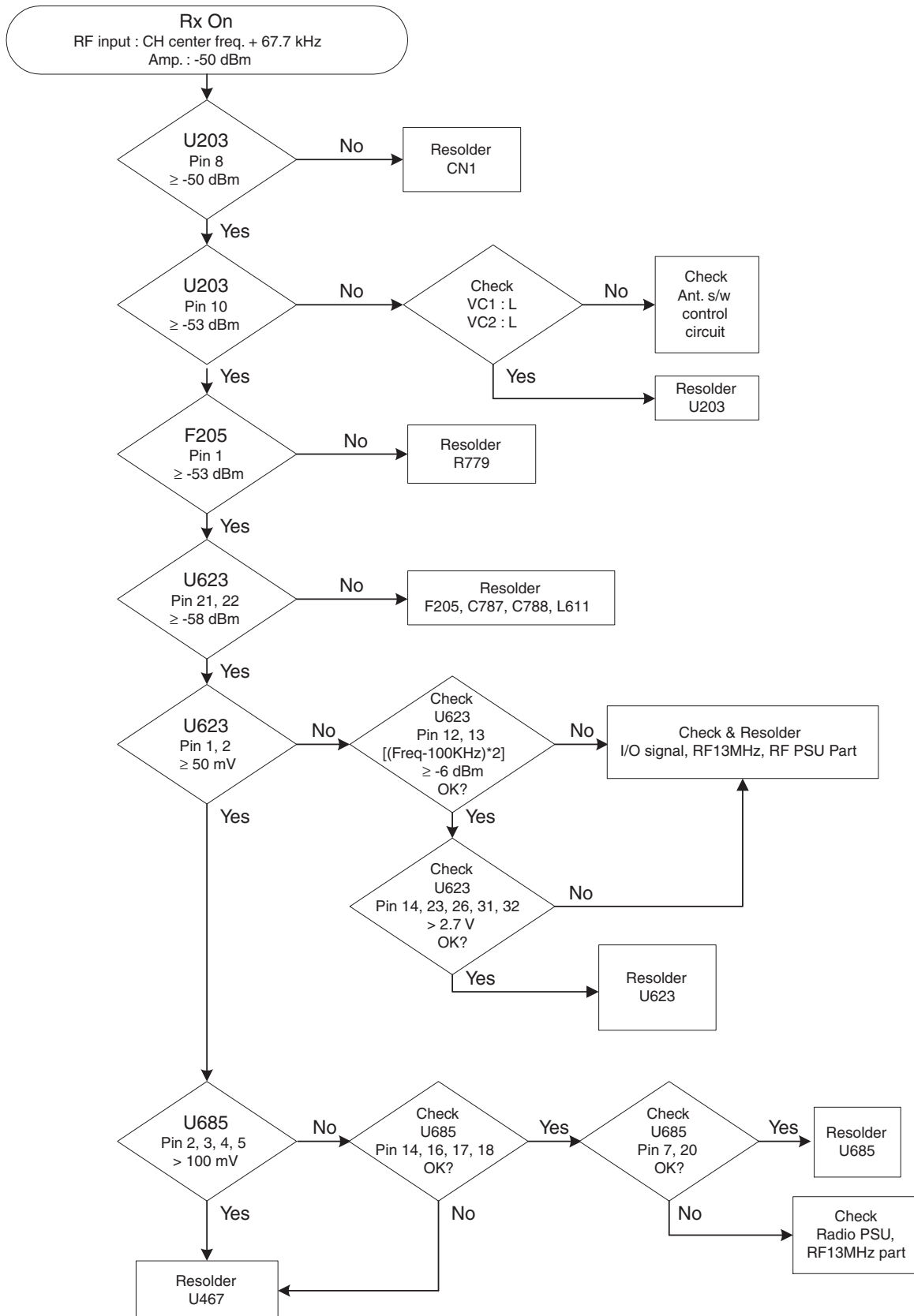


## 5-10 Back Light

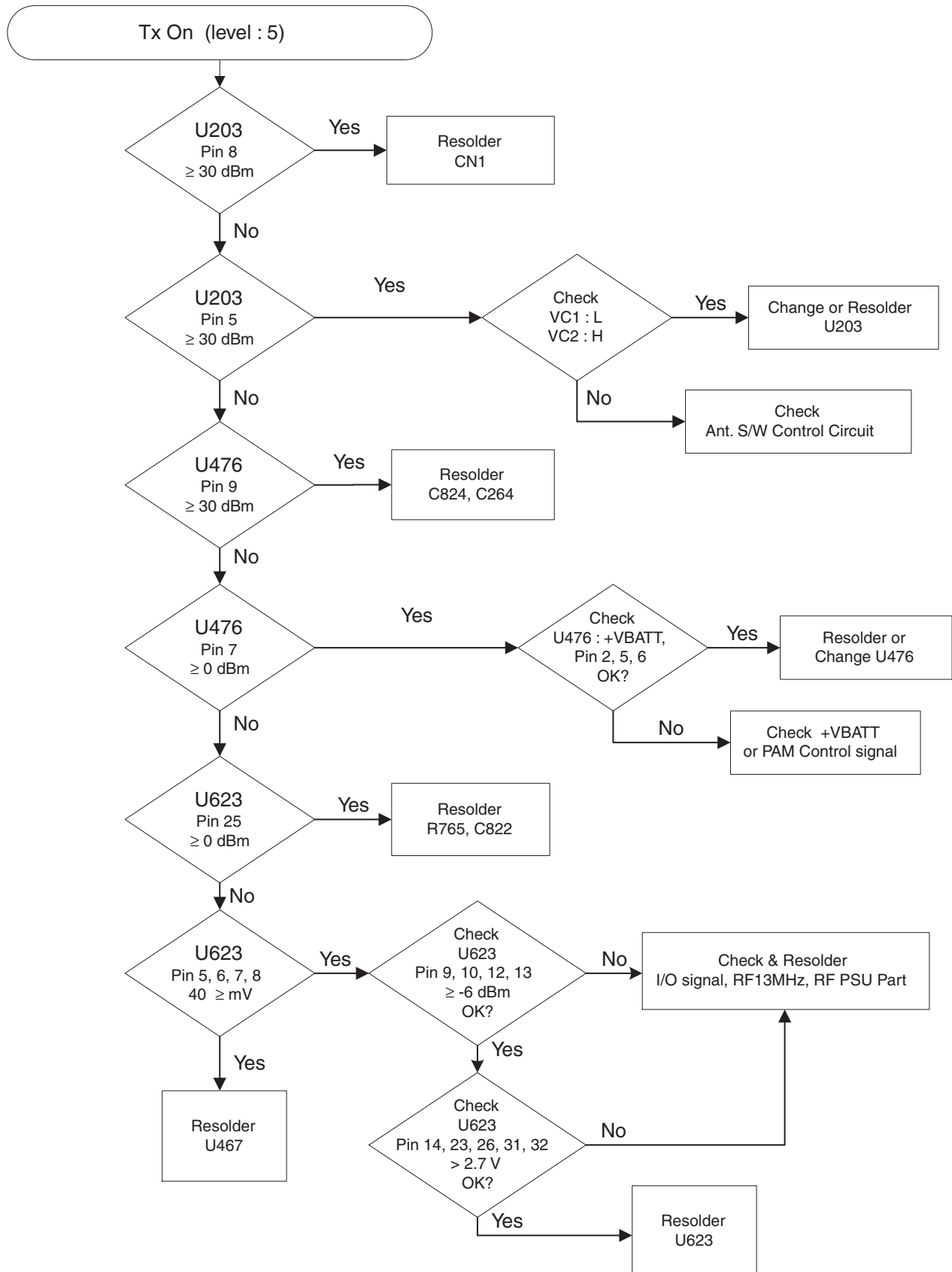




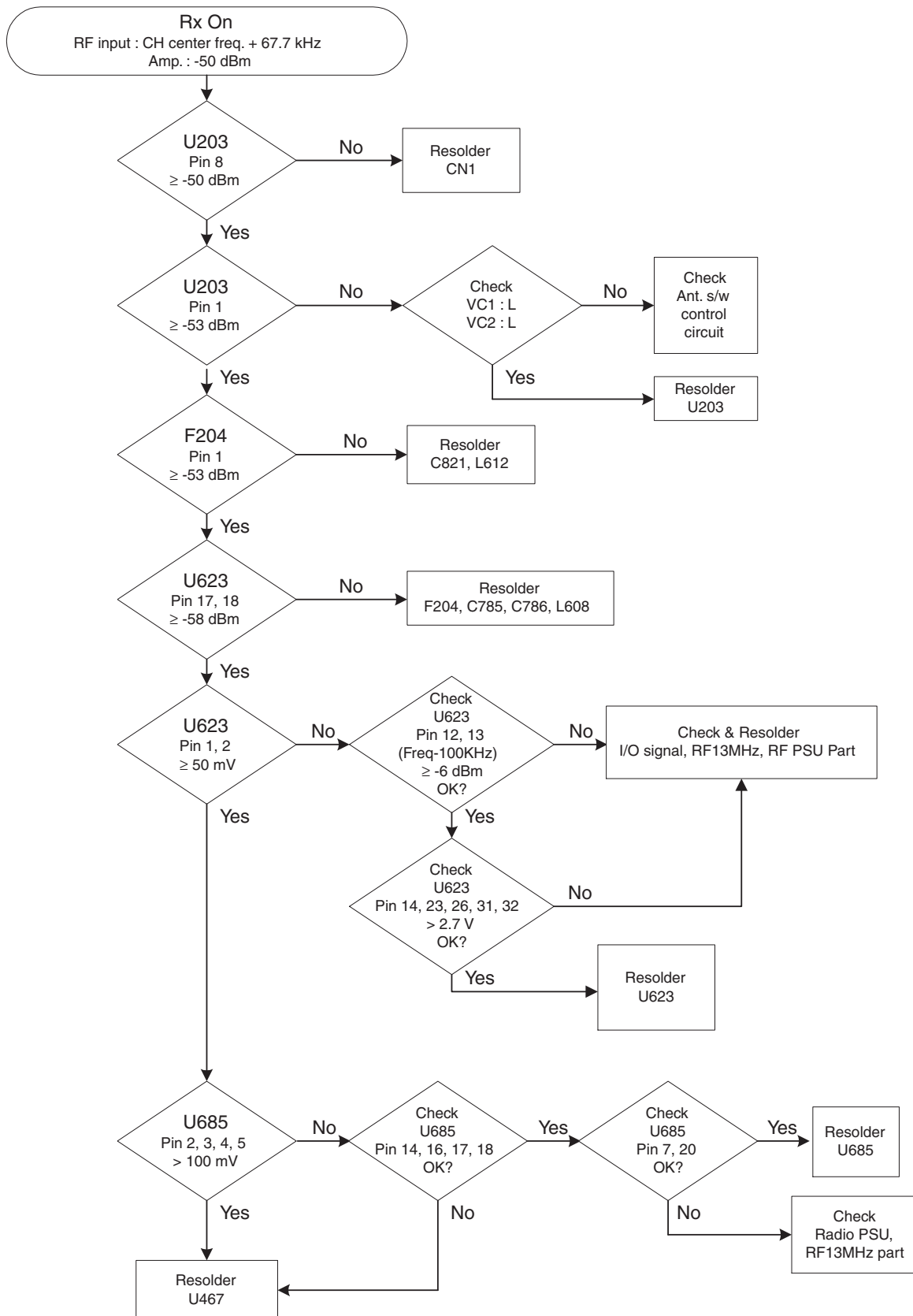
## 5-11 GSM Receiver



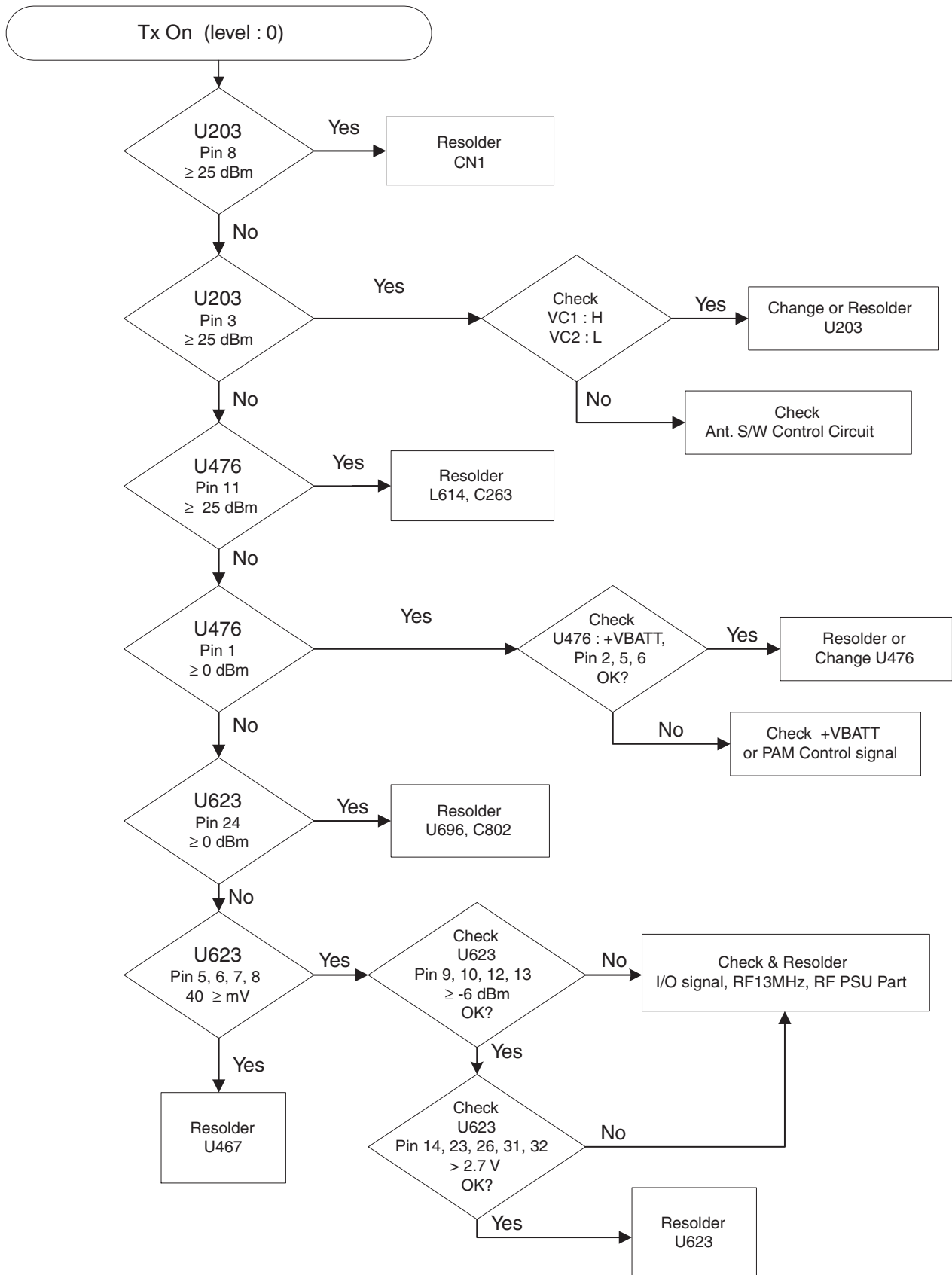
## 5-12 GSM Transmitter



## 5-13 DCS Receiver

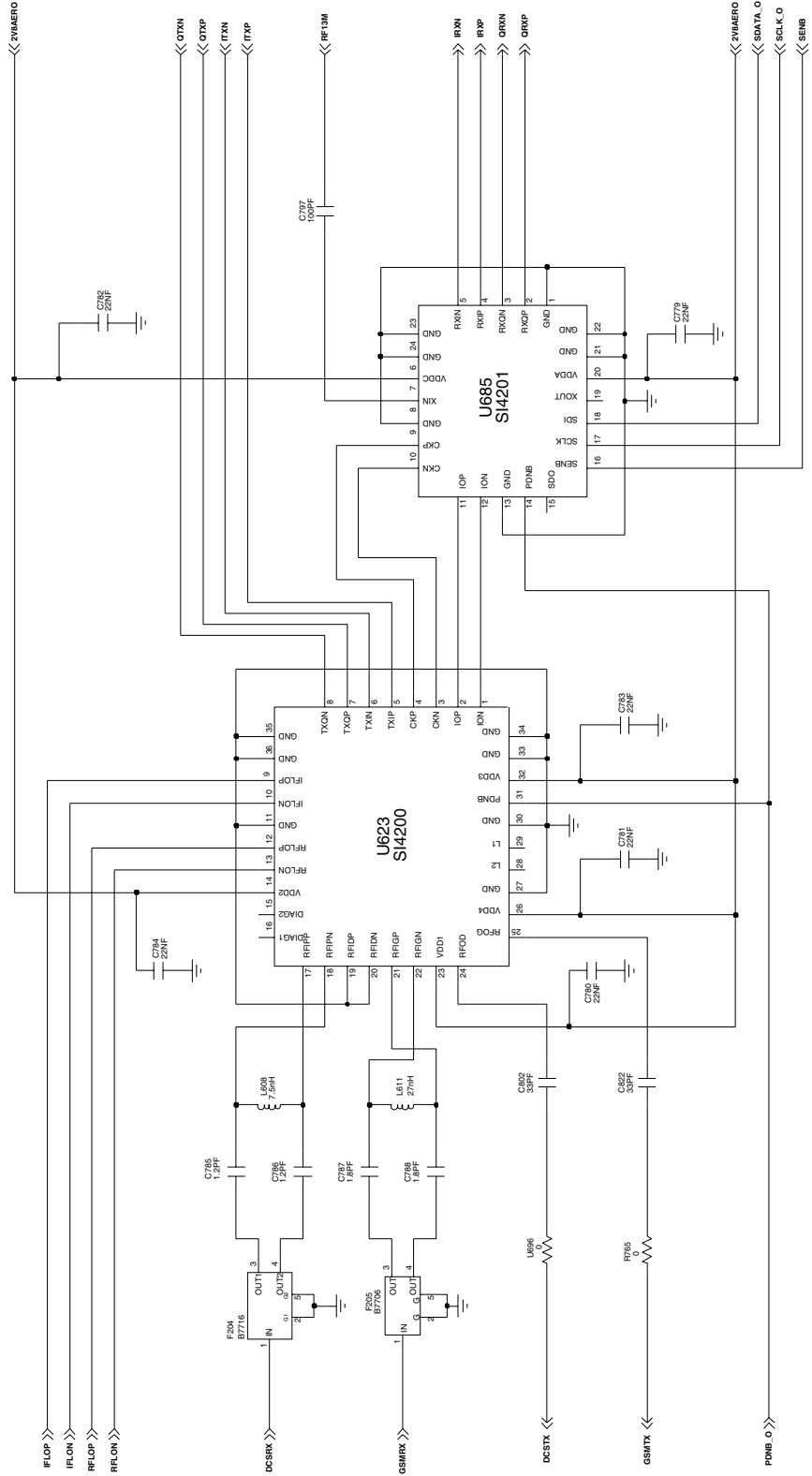


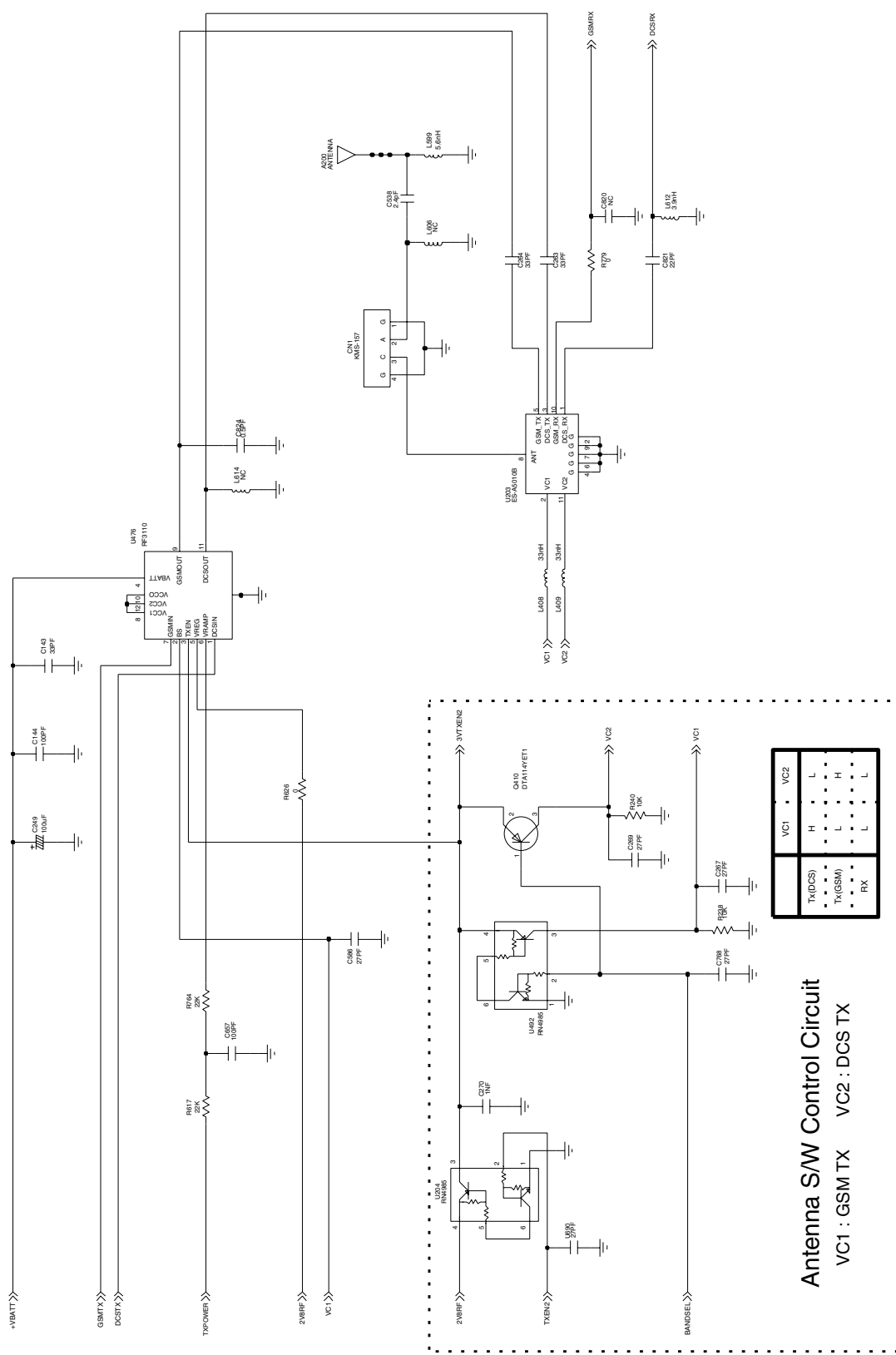
## 5-14 DCS Transmitter











	VC1	VC2
TX(DCS)	H	L
TX(GSM)	L	H
RX	L	L

**Antenna SW Control Circuit**  
 VC1 : GSM TX    VC2 : DCS TX